

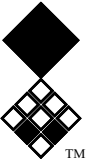
LASER-GRADER 2400



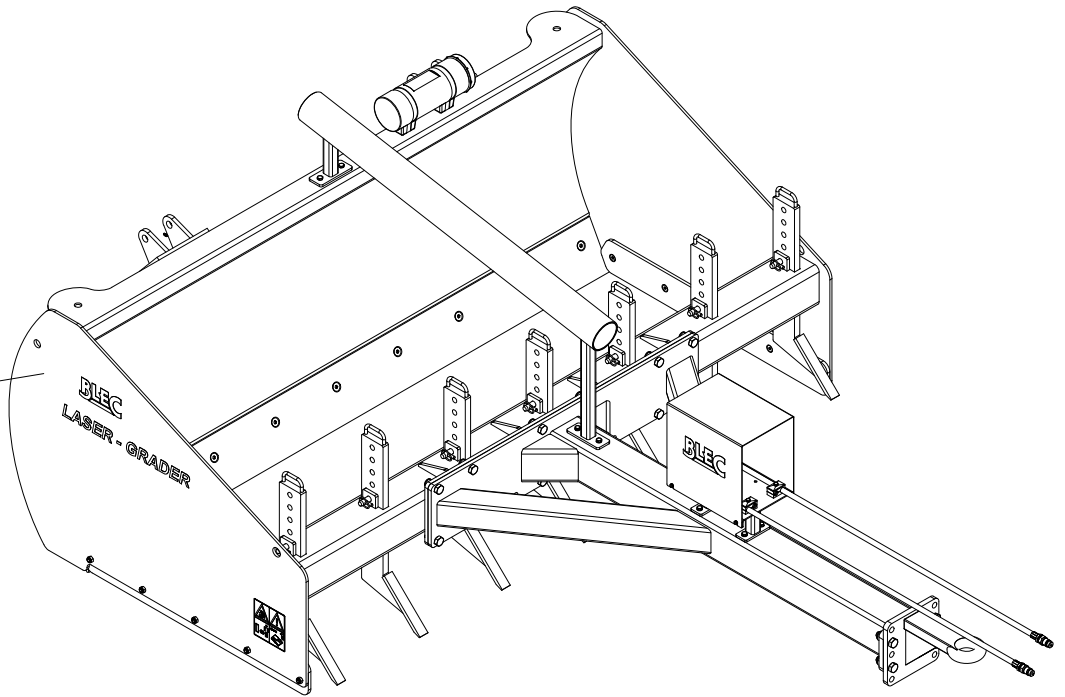
Version: 2313



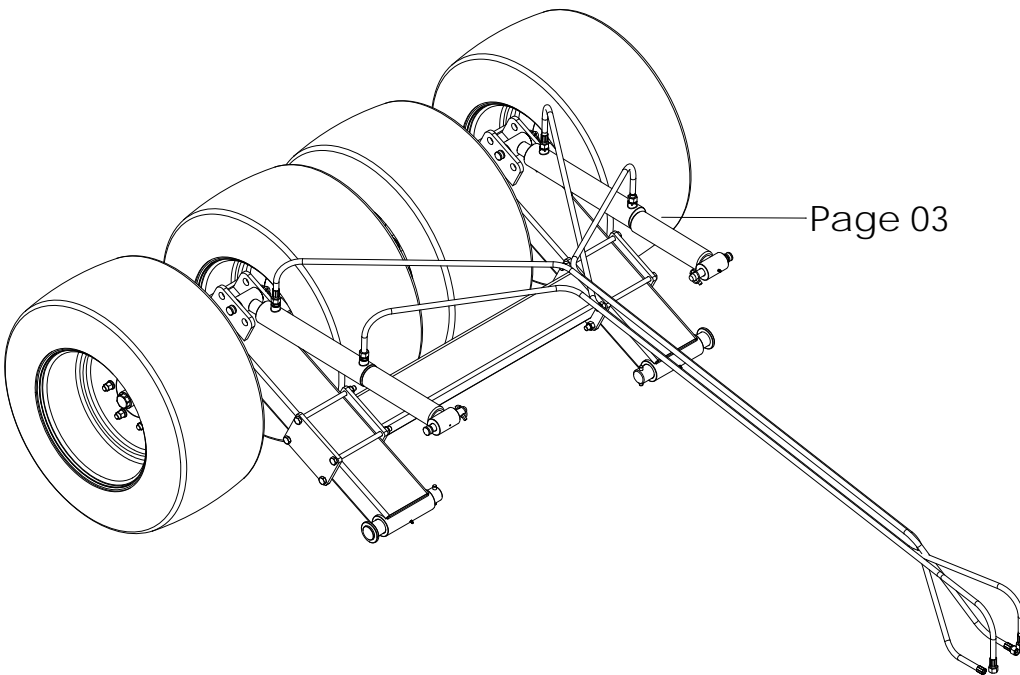
Kwekerijweg 8 | 3709JA | Zeist | The Netherlands |
T: +31 (0)306 933 227
E: redexim@redexim.com
W: www.redexim.com



Page 02



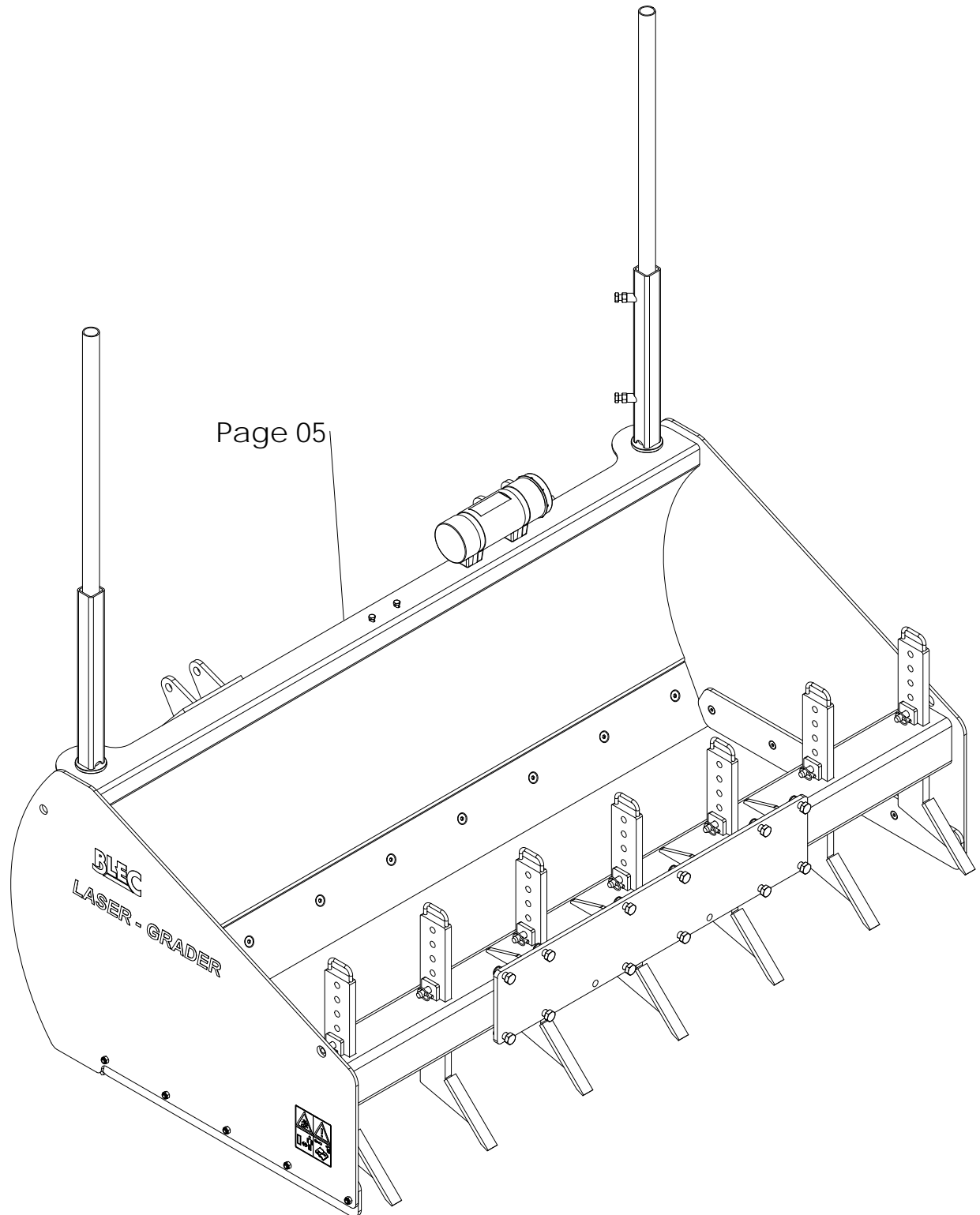
Page 03

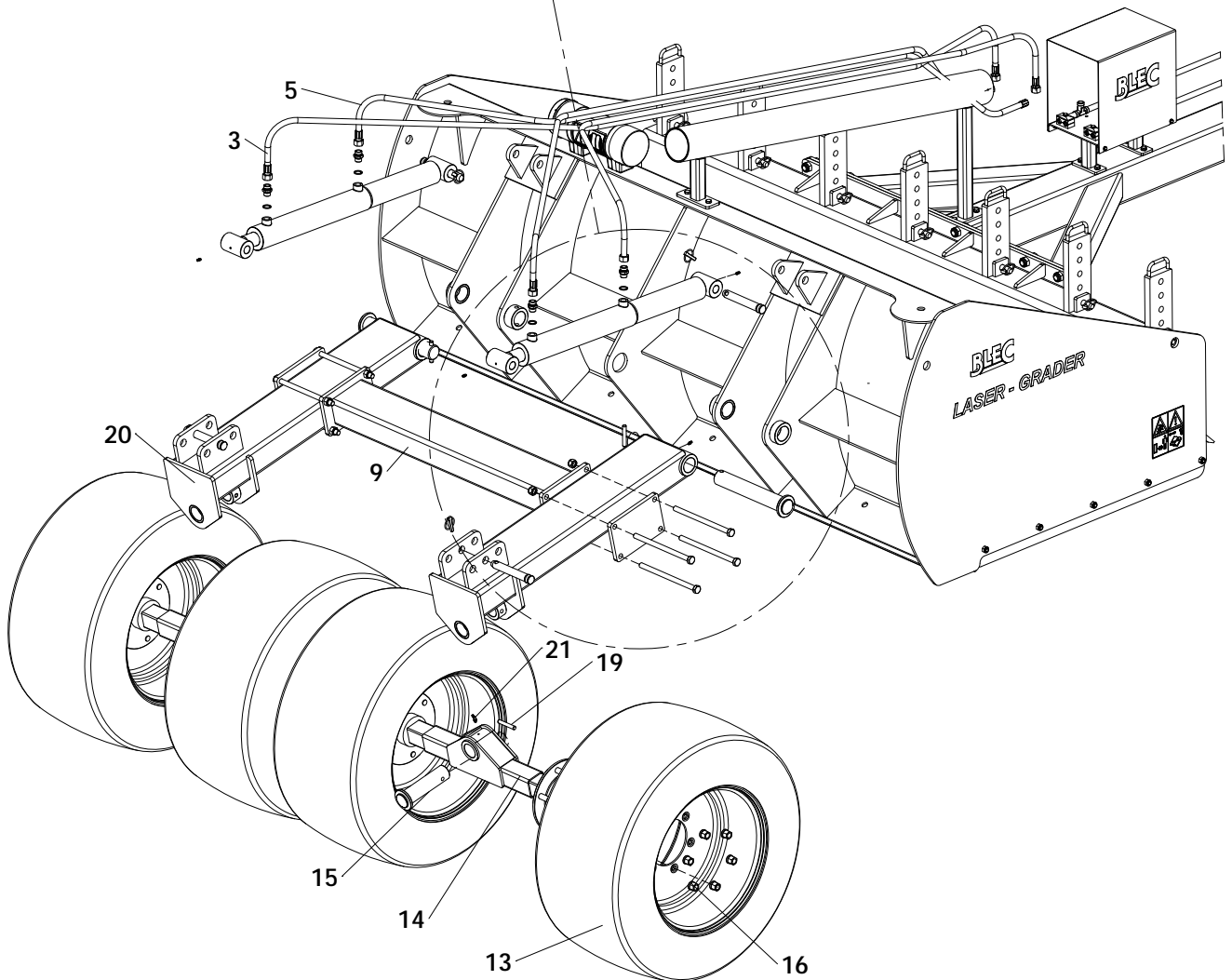
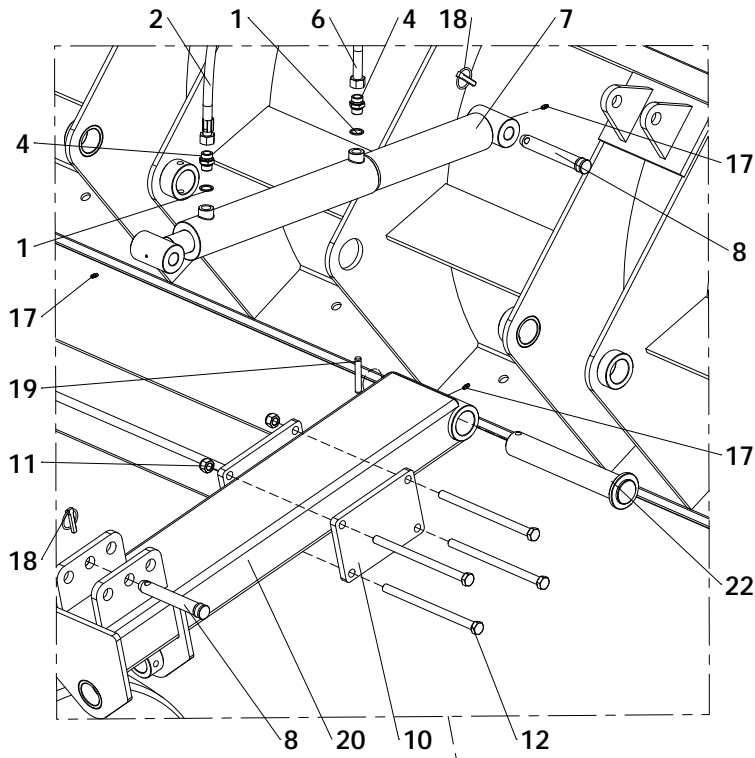
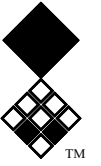


Hydraulic scheme: page 04

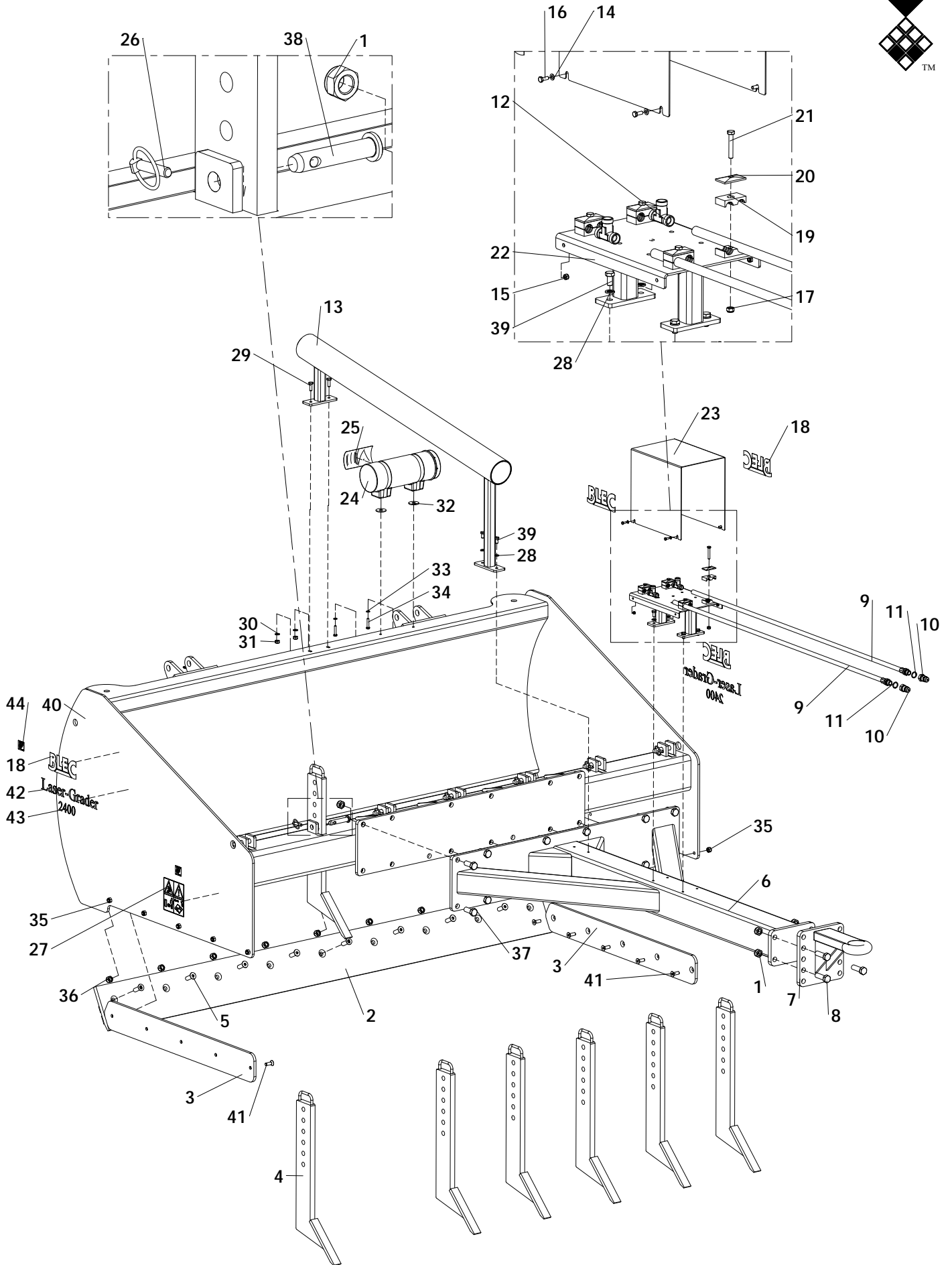
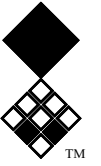


Laser Grader 2400 Laser pole kit
Kit number: 292.240.002 for a single pole

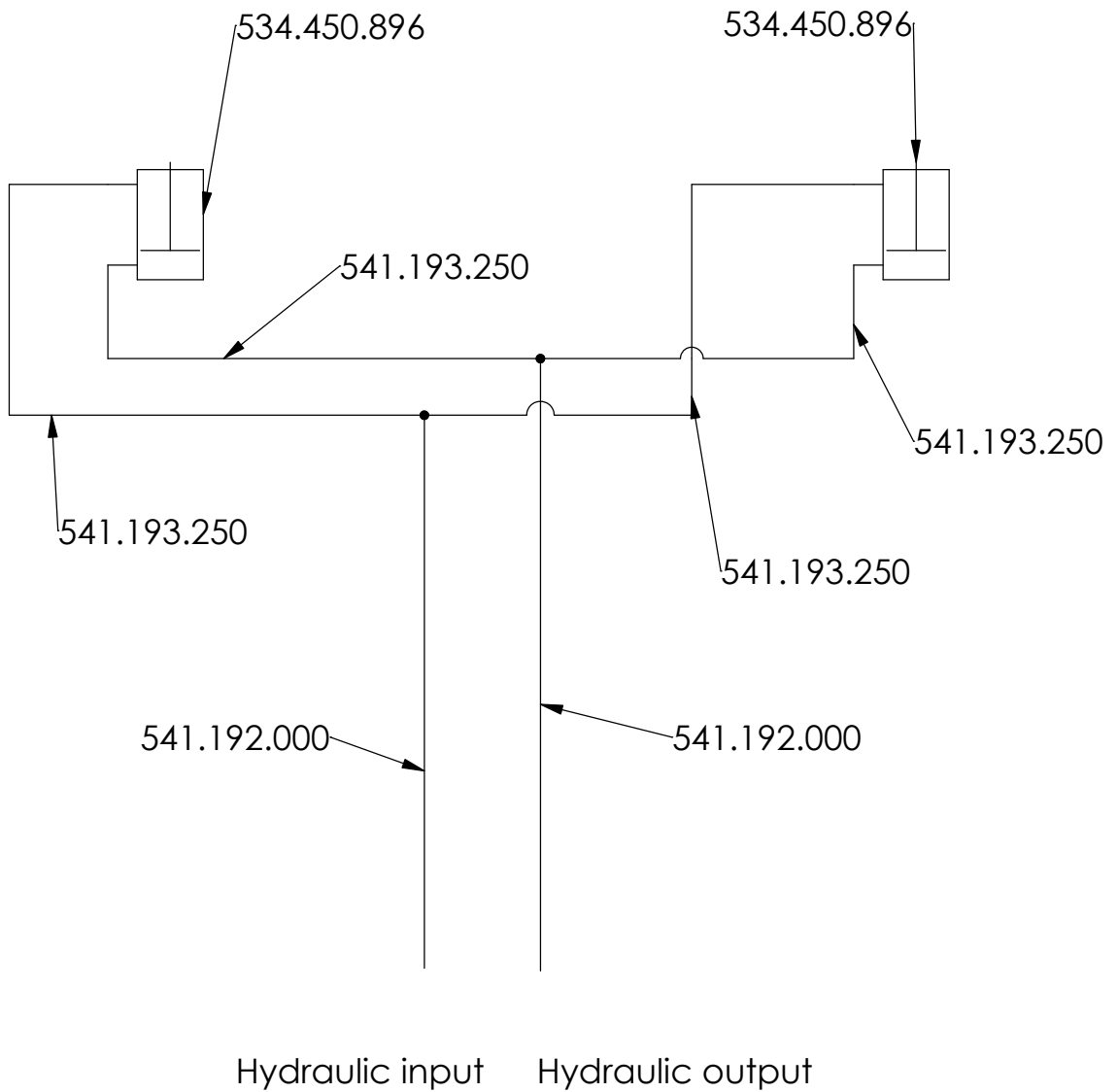


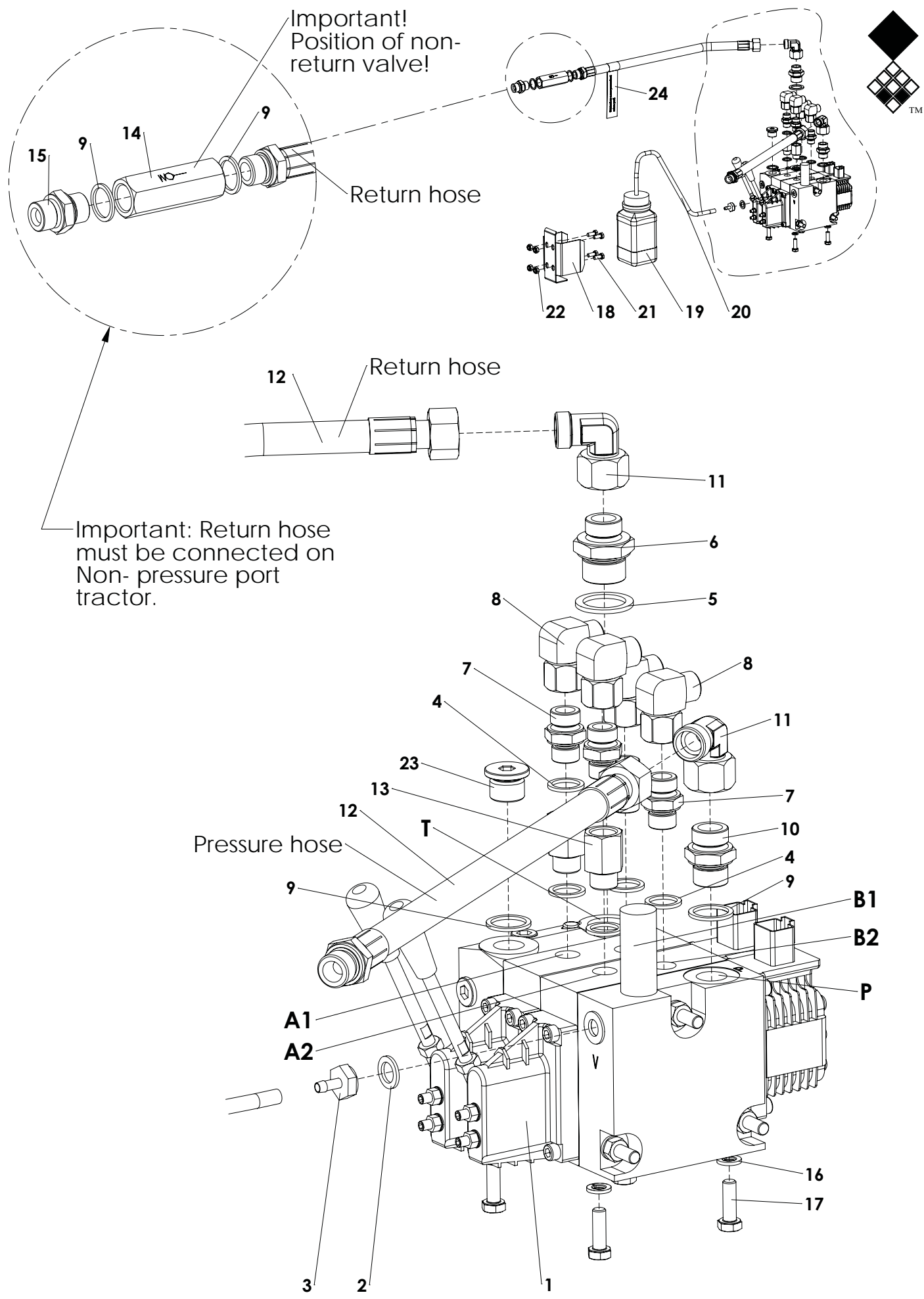


ITEM	PART NUMBER	DESCRIPTION	REMARKS	QUA
1	874.210.020	Copper washer 1_2		4
2	541.193.250	Hose NSK13-1/2" TL=3250 2xPGLO1322		1
3	541.193.250	Hose NSK13-1/2" TL=3250 2xPGLO1322		1
4	544.210.150	Nipple BSP 1_2" x pipe 15 (M22)		4
5	541.193.250	Hose NSK13-1/2" TL=3250 2xPGLO1322		1
6	541.193.250	Hose NSK13-1/2" TL=3250 2xPGLO1322		1
7	534.450.896	Hydraulic wheel cylinder		2
8	522.251.420	Top Link Pin Ø25 L=142		4
9	462.150.910	Link tube		1
10	468.152.200	Lock plate		2
11	830.160.160	Self Lock Nut M16 - ISO 10511		8
12	802.162.600	Bolt M16 x 260 - ISO 4014		8
13	511.875.410	Wheel complete 400/60-15.5		4
14	519.600.740	Axle		2
15	474.502.050	Pivot pin		2
16	844.180.250	Wheel Nut M18		24
17	880.060.100	Grease nipple M6 DIN 71412A		6
18	523.100.570	Linch Pin d10		4
19	876.120.750	Parallel Pin 12x75		4
20	494.102.024	Axle frame		2
21	880.060.104	Grease nipple M6 45deg. DIN 71412B		2
22	474.503.440	Pivot pin axle		2

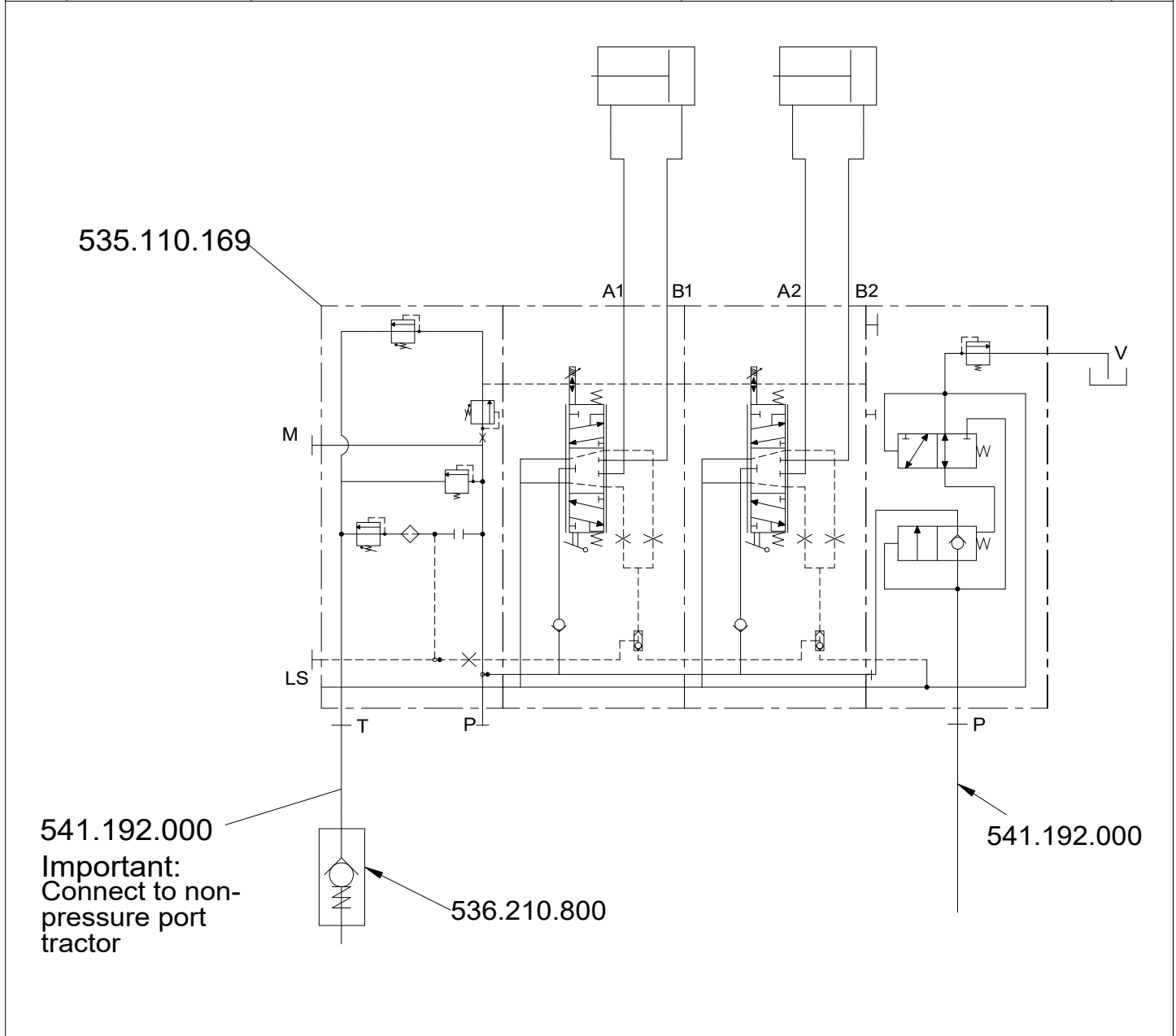


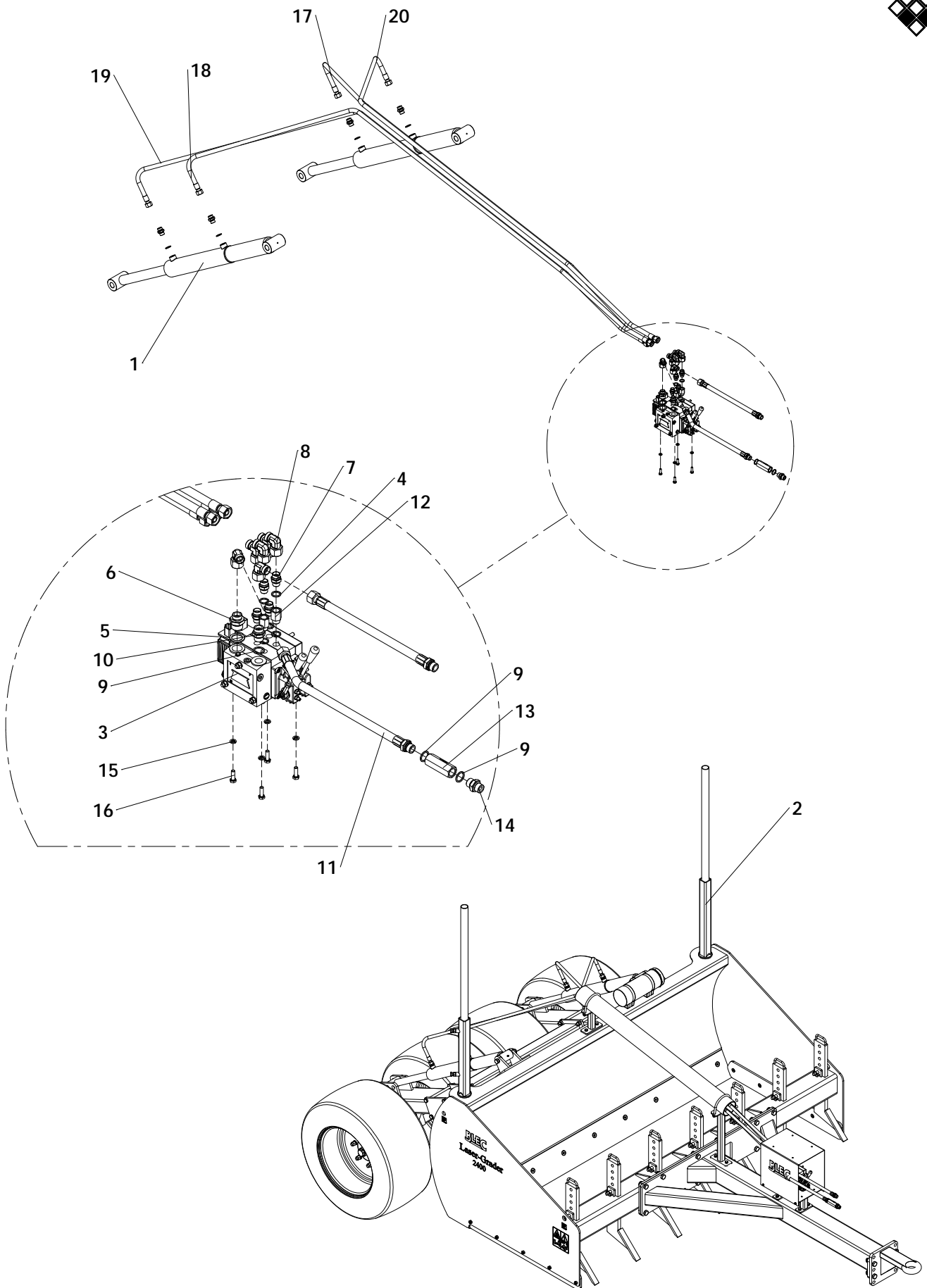
ITEM	PART NUMBER	DESCRIPTION	REMARKS	QUA
1	830.200.200	Self Lock Nut M20 Din 985 h=17		16
2	468.209.240	Blade		1
3	468.129.100	Side blade		2
4	391.725.704	Ripping tine		7
5	816.160.500	Bolt M16 x 50 - DIN 7991		9
6	462.250.916	Drawbar		1
7	484.335.250	Towing hook		1
8	802.200.650	Bolt M20 x 65 - ISO 4014		4
9	541.192.000	Hose NSK13-1/2" TL=2500 1xPGLO1322 + 1x PN138		2
10	545.210.800	Quick connector male 1/2"		2
11	874.210.020	Copper washer 1_2		2
12	544.154.150	T-Connector 15x15x15		2
13	462.745.914	Hose tube		1
14	864.060.030	Washer M6 - ISO 7089		4
15	830.060.060	Self Lock Nut M6 - ISO 10511		4
16	804.060.160	Bolt M6 x 16 - ISO 4017		4
17	830.080.080	Self Lock Nut M8 - ISO 10511		4
18	900.260.504	Decall Blec black		4
19	547.180.180	Hose clamp double 18mm		8
20	547.300.510	Cover plate hose clamp 2x15 - 2x18		4
21	802.080.500	Bolt M8 x 50 - ISO 4014		4
22	470.043.420	Hydraulic support		1
23	456.350.244	Top cover		1
24	444.803.100	Toolbox Complete		1
25	900.280.402	Safety decall manual		1
26	523.100.570	Linch Pin d10		9
27	933.280.402	Safety decall		2
28	866.100.020	Spring Washer M10 - DIN 127		6
29	804.100.300	Bolt M10 x 30 - ISO 4017		2
30	864.100.030	Washer M10 - ISO 7089		2
31	830.100.100	Self Lock Nut M10 - ISO 10511		2
32	864.140.031	Large washer M14 - DIN 9021		2
33	866.080.020	Spring Washer M8 - DIN 127		2
34	804.080.400	Bolt M8 x 40 - ISO 4017		2
35	830.120.120	Self Lock Nut M12 - ISO 10511		10
36	830.160.160	Self Lock Nut M16 - ISO 10511		9
37	802.200.500	Bolt M20 x 50 - ISO 4017		12
38	521.190.900	3-Point Pin		7
39	804.100.200	Bolt M10 x 20 - ISO 4017		6
40	494.144.246	Frame Laser-Grader 2400		1
41	816.120.350	Bolt M12 x 35- DIN 7991		10
42	992.260.501	Label Laser-Grader black		2
43	913.260.413	Label 2400 black		2
44	922.340.008	Decall fixation point		4



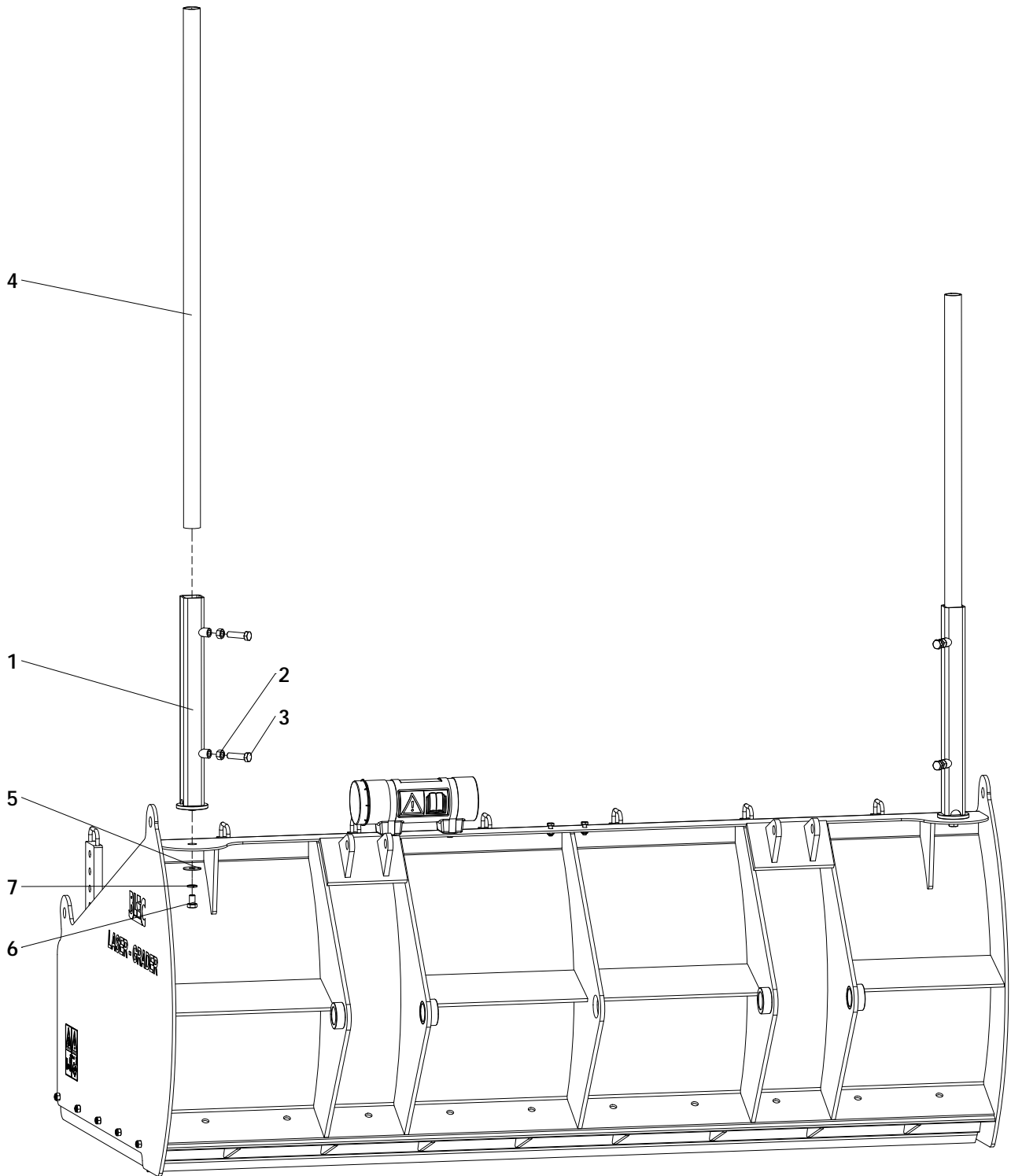
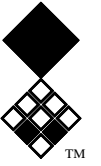


ITEM	PART NUMBER	DESCRIPTION	REMARKS	QUA
1	535.110.169	PVG16 Valve for tractor mounting		1
2	874.130.020	Copper washer 1/4"		2
3	549.060.190	Nipple		1
4	874.170.020	Copper washer 3_8		6
5	874.260.020	Copper washer 3/4"		1
6	544.260.222	Nipple pipe 3_4"x pipe 15 (M22)		1
7	544.170.120	Nipple BSP 3_8" x pipe 12 (M18)		4
8	544.123.180	L-Connector PM, Pipe 12-M18		4
9	874.210.020	Copper washer 1_2		4
10	544.210.150	Nipple BSP 1_2" x pipe 15 (M22)		1
11	544.151.150	L-Connector PM. Pipe 15-M22		2
12	541.192.000	Hose NSK13-1/2" TL=2500 PGLO1322 PN138		2
13	543.170.172	Extension nipple G3/8"xG3/8" L=23.5mm		2
14	536.210.800	SL Non-Return Valve 1/2", 0.5 bar		1
15	543.210.210	Nipple BSP 1_2" x 1_2" 60deg		1
16	866.080.020	Spring Washer M8 - DIN 127		4
17	804.080.250	Bolt M8 x 25 - ISO 4017		4
18	536.020.750	Oiltank holder		1
19	536.741.650	Oil tank 500 ml		1
20	536.097.000	Clear tube		1
21	804.100.250	Bolt M8 x 20 - ISO 4017		4
22	830.080.080	Self Lock Nut M8 - ISO 10511		4
23	549.210.200	Blind plug G1/2		1
24	922.340.001	Decal for return hose		1

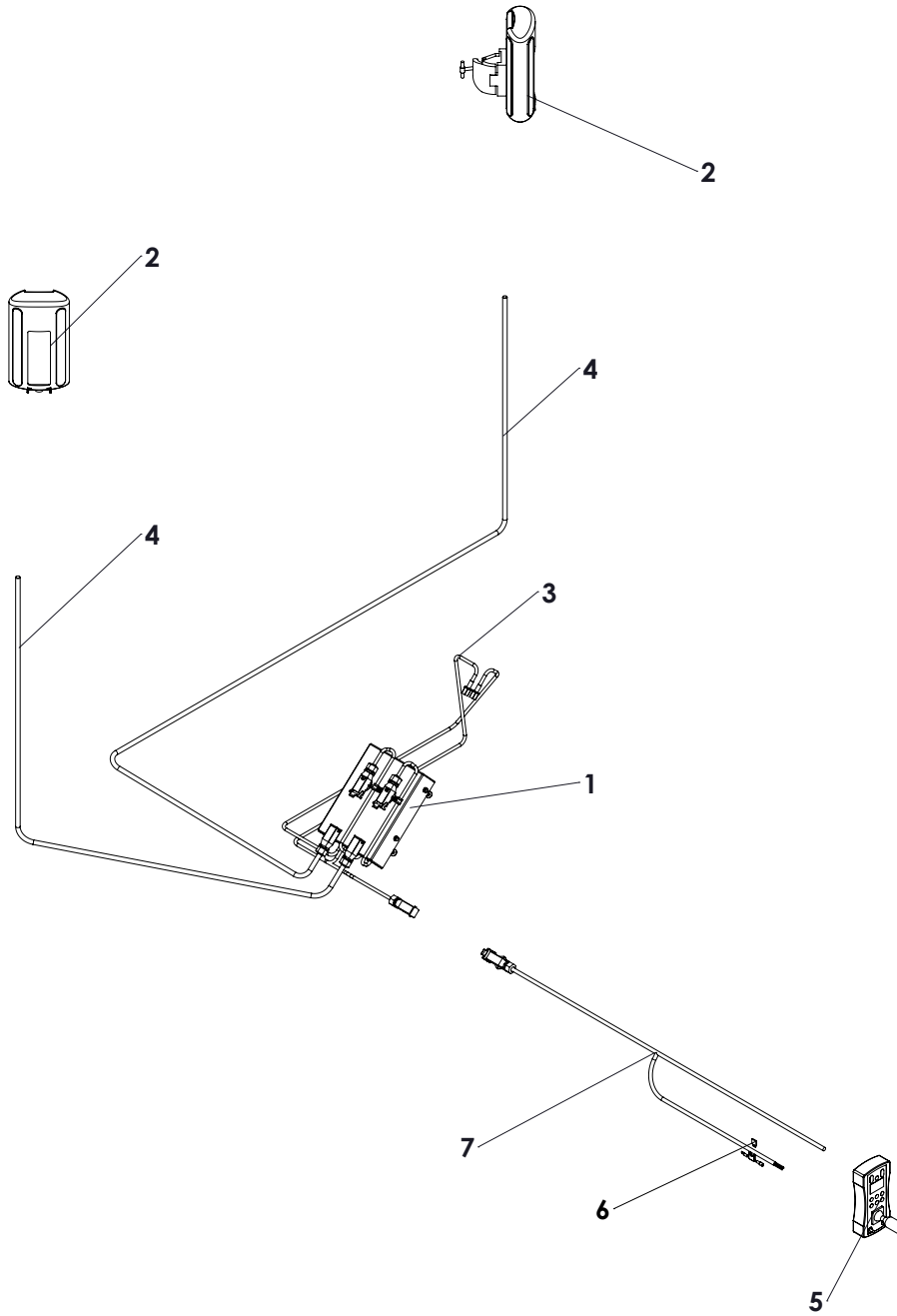




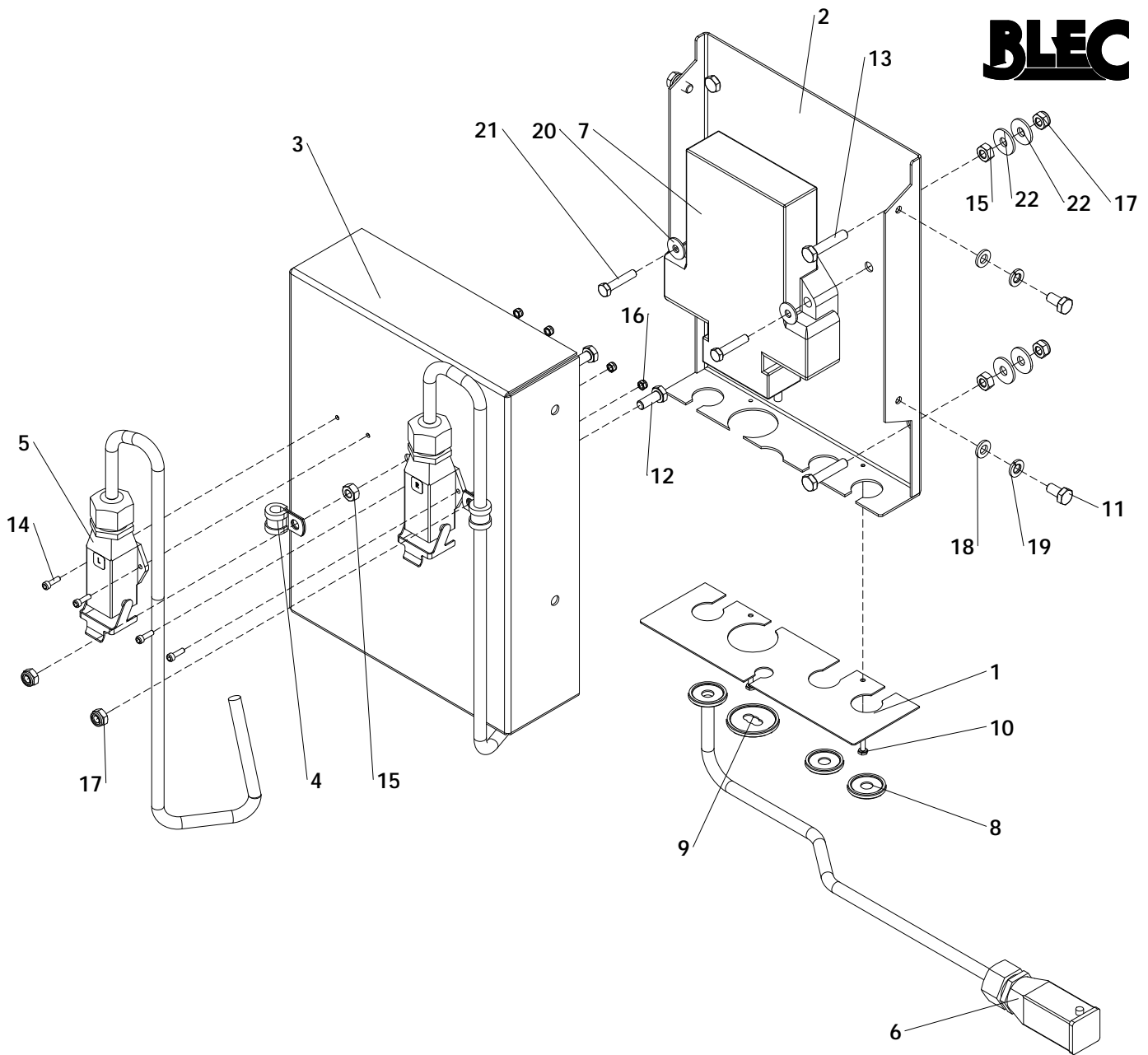
ITEM	PART NUMBER	DESCRIPTION	REMARKS	QUA
1	534.450.896	Hydraulic wheel cylinder		2
2	292.240.002	Laser pole assembly		2
3	535.110.166	PVG16 Valve 2 sections		1
4	874.170.020	Copper washer 3_8		6
5	874.260.020	Copper washer 3/4"		1
6	544.260.222	Nipple pipe 3_4"x pipe 15 (M22)		1
7	544.170.150	Nipple BSP 3_8" x pipe 15 (M22)		4
8	544.151.150	L-Connector PM. Pipe 15-M22		6
9	874.210.020	Copper washer 1_2		3
10	544.210.150	Nipple BSP 1_2" x pipe 15 (M22)		1
11	541.192.000	Hose NSK13-1/2" TL=2500 PGLO1322 PN138		2
12	543.170.172	Extension nipple G3/8"xG3/8" L=23.5mm		2
13	536.210.800	SL Non-Return Valve 1/2", 0.5 bar		1
14	543.210.210	Nipple BSP 1_2" x 1_2" 60deg		1
15	866.080.020	Spring Washer M8 - DIN 127		4
16	804.080.200	Bolt M8 x 20 - ISO 4017		4
17	541.193.250	Hose NSK13-1/2" TL=3250 2xPGLO1322		1
18	541.193.250	Hose NSK13-1/2" TL=3250 2xPGLO1322		1
19	541.193.250	Hose NSK13-1/2" TL=3250 2xPGLO1322		1
20	541.193.250	Hose NSK13-1/2" TL=3250 2xPGLO1322		1



ITEM	PART NUMBER	DESCRIPTION	REMARKS	QUA
1	462.906.160	Pole base		1
2	826.160.160	Nut M16 - DIN 934		2
3	804.160.600	Bolt M16 x 60 - ISO 4017		2
4	476.489.150	Pole		1
5	864.160.031	Large washer M16 - DIN 9021		1
6	804.160.250	Bolt M16 x 25 - ISO 4017		1
7	866.160.020	Spring Washer M16 - DIN 127		1
	292.240.002	Laser pole kit	Kit number is for 1 pole	



ITEM	PART NUMBER	DESCRIPTION	REMARKS	QUA
1		Laser control box	See page LK02	1
2	569.160.200	Trimble LR410		2
3	563.081.000	Valve wire		1
4	563.102.000 La	Laser wire		2
5	569.100.200	Control box laser		1
6	565.050.208	Fuse 10A		1
7	563.123.000	Tractor Wire		1
	191.180.003	Receivers and cantrole box dual pole kit	Page LK01 + LK02	



ITEM	PART NUMBER	DESCRIPTION	REMARKS	QUA
1	456.006.019	Cover		1
2	456.020.027	Rear cover		1
3	456.021.027	Front cover		1
4	547.080.160	Hose Clamp Ø8		2
5	563.080.300	Connector + wire		2
6	569.081.500	Connector female + wire		1
7	569.302.000	Computer laser kit		1
8	592.025.003	Hole cover		3
9	592.034.004	Hole cover		1
10	804.030.160	Bolt M3 x 16 - ISO 4017		2
11	804.060.120	Bolt M6 x 12 - ISO 4017		4
12	804.060.160	Bolt M6 x 16 - ISO 4017		2
13	804.060.300	Bolt M6 x 30 - ISO 4017		4
14	814.030.100	Bolt M3 x 10 - DIN 912		4
15	826.060.060	Nut M6 - DIN 934		6
16	830.030.030	Self Lock Nut M3 - ISO 10511		4
17	830.060.060	Self Lock Nut M6 - ISO 10511		6
18	864.060.030	Washer M6 - ISO 7089		4
19	866.060.020	Spring Washer M6 - DIN 127		4
20	864.050.031	Large washer M5 - DIN 9021		2
21	804.050.250	Bolt M5 x 25 - ISO 4017		2
22	864.060.031	Large washer M6 - DIN 9021		8