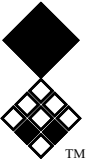


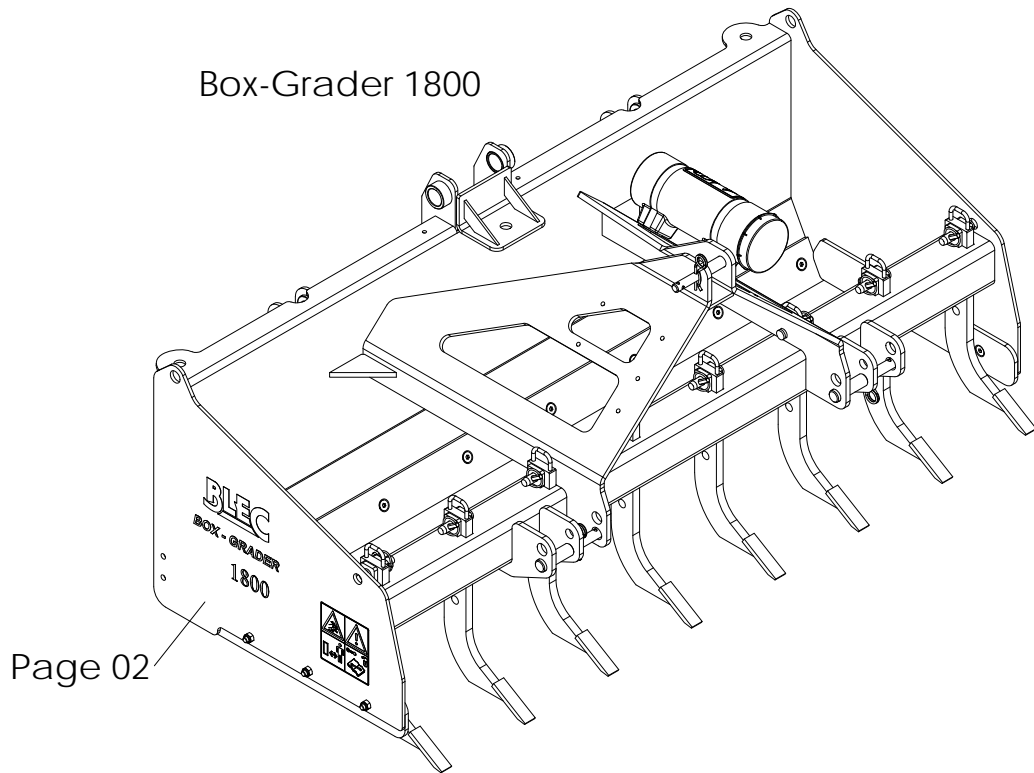
LASER-GRADER 1800



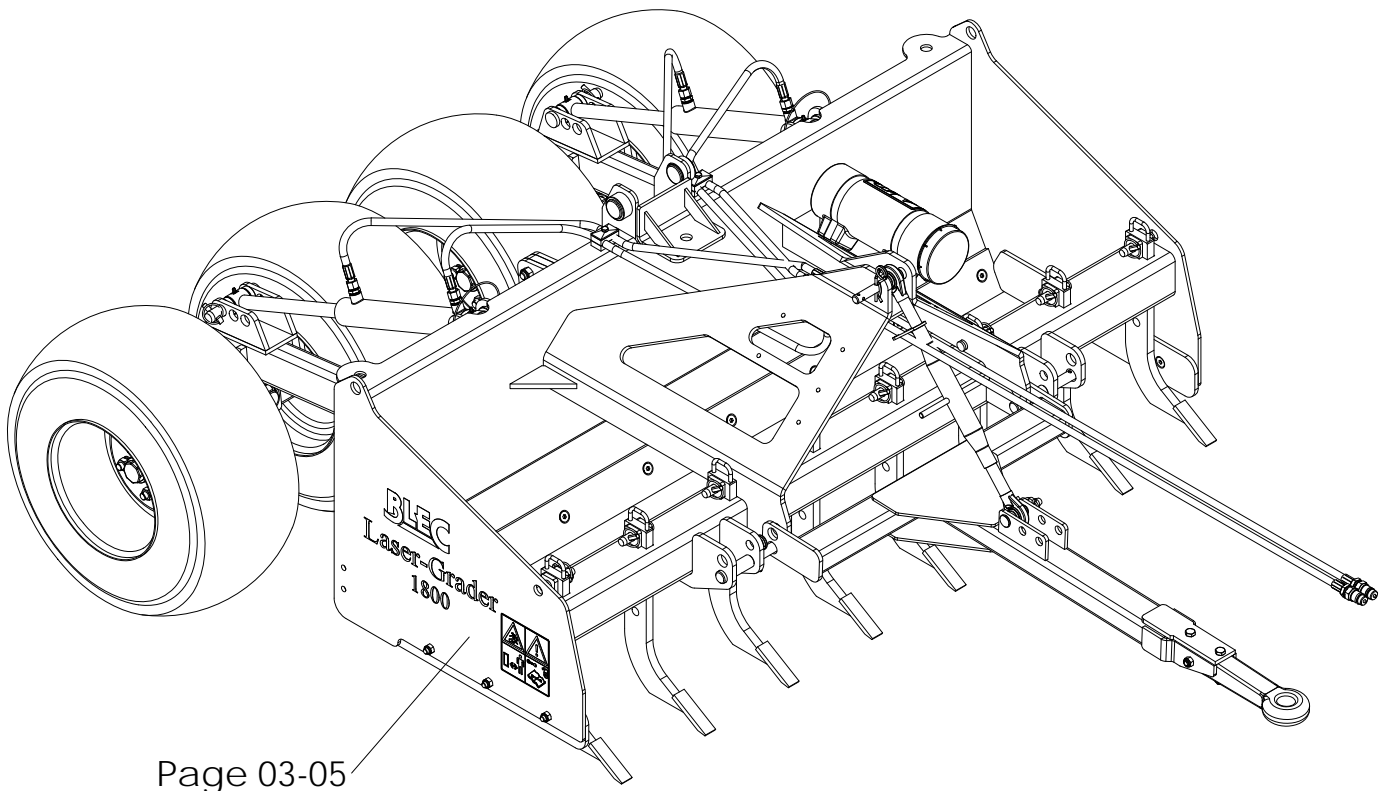
Version: 2313



Box-Grader 1800

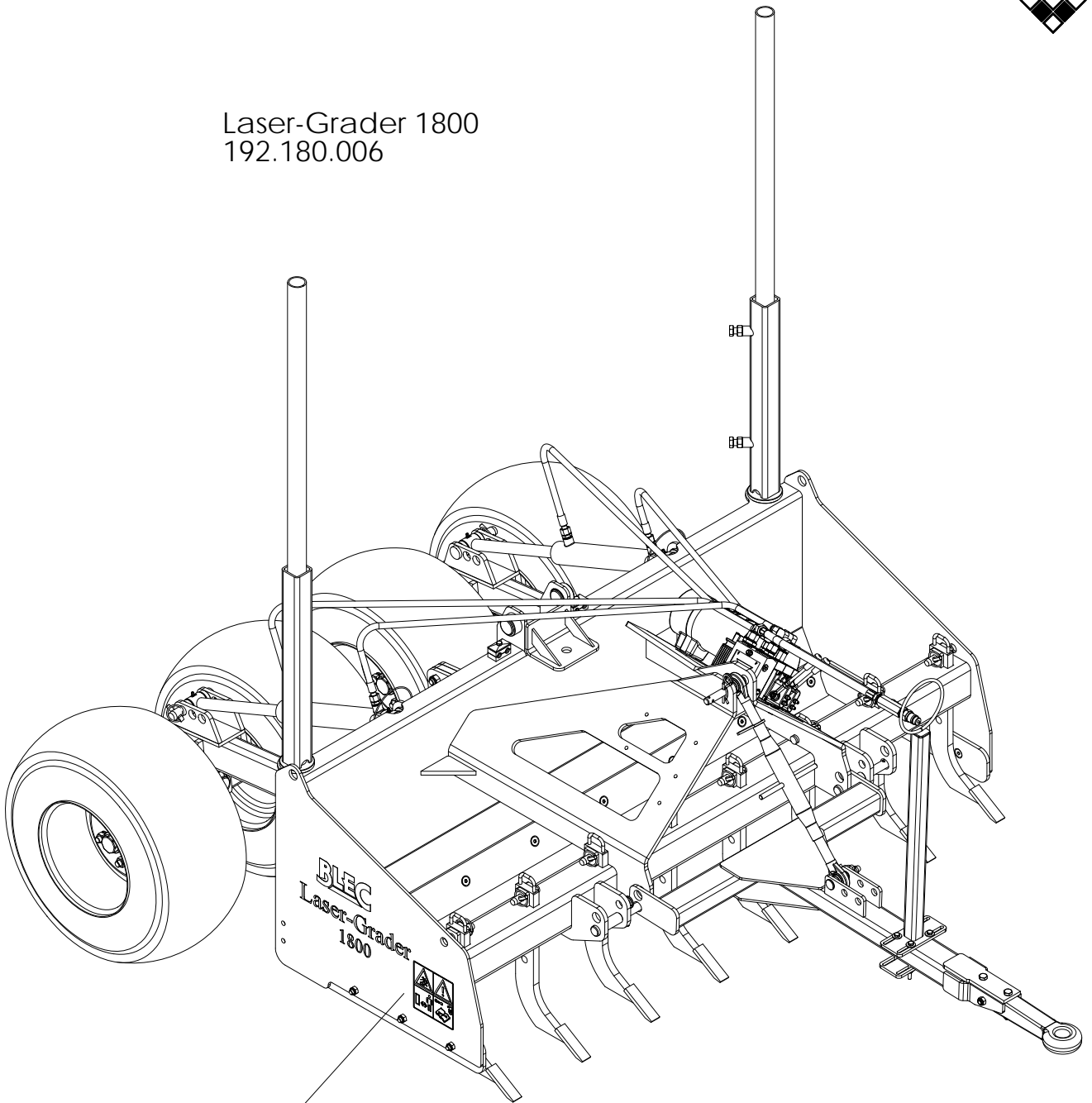


Grader 1800
192.180.004

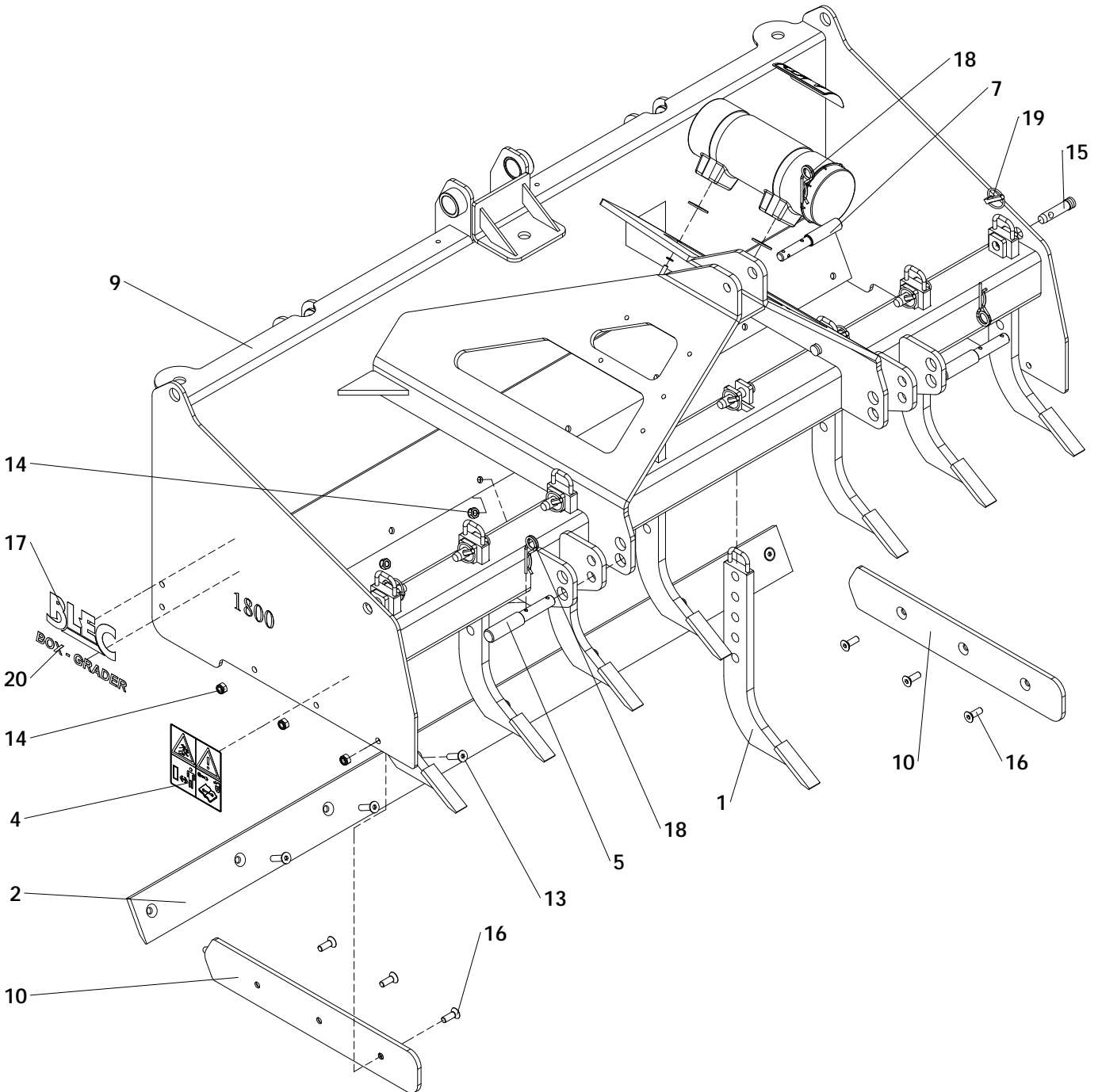
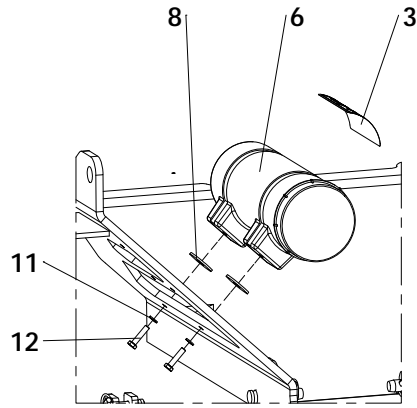
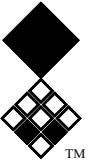




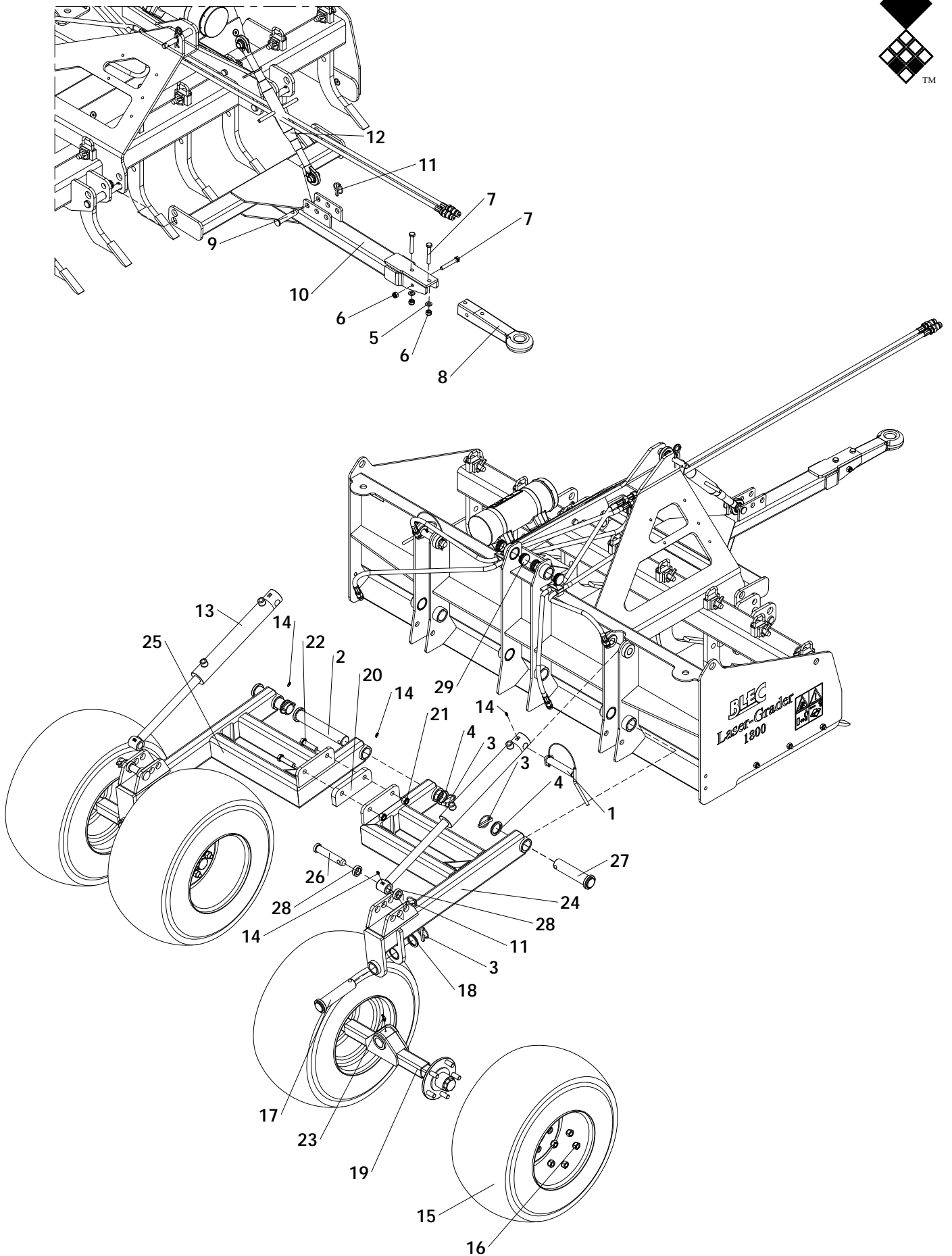
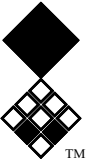
Laser-Grader 1800
192.180.006



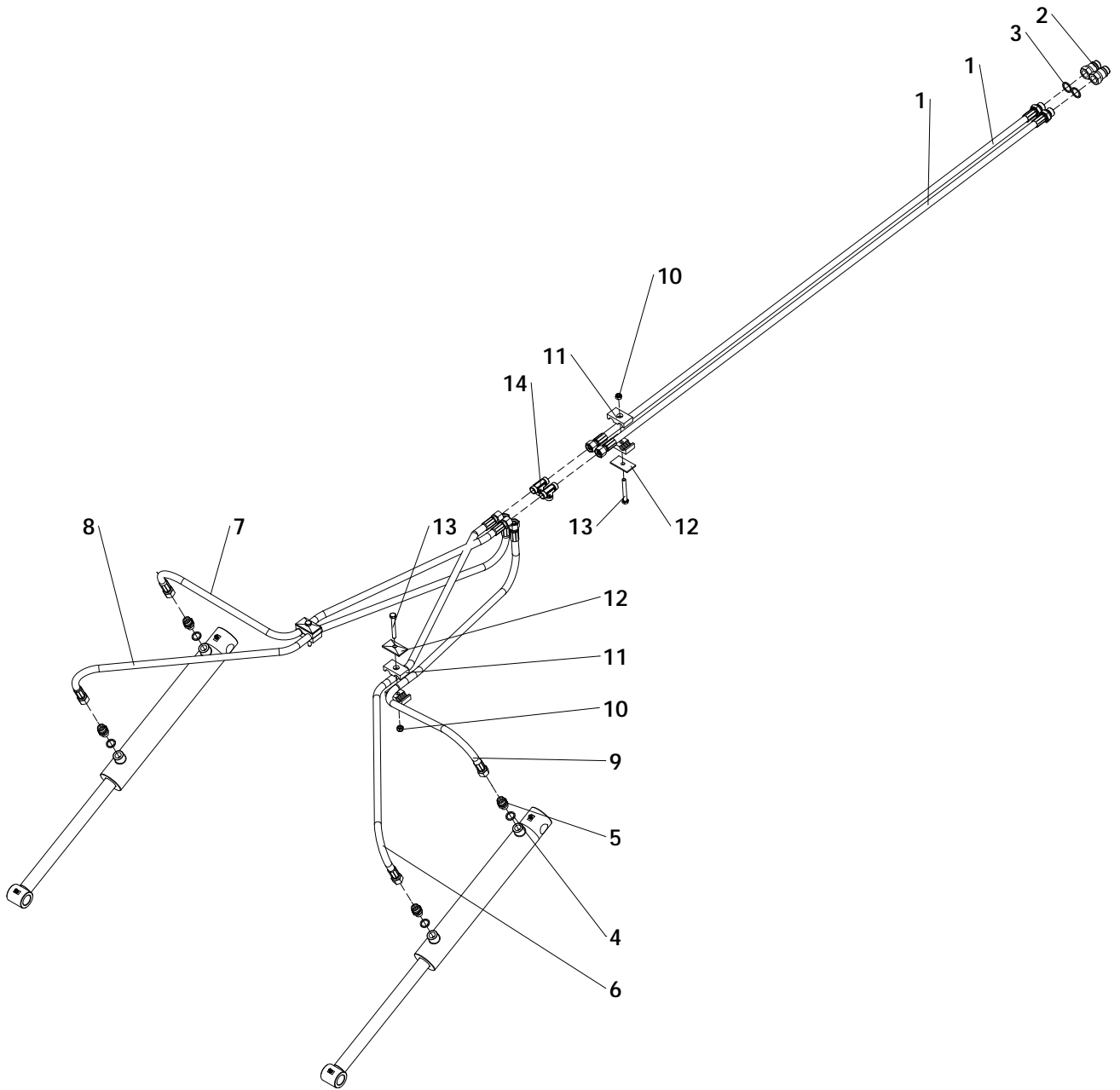
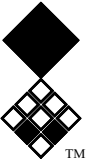
Page 06-12



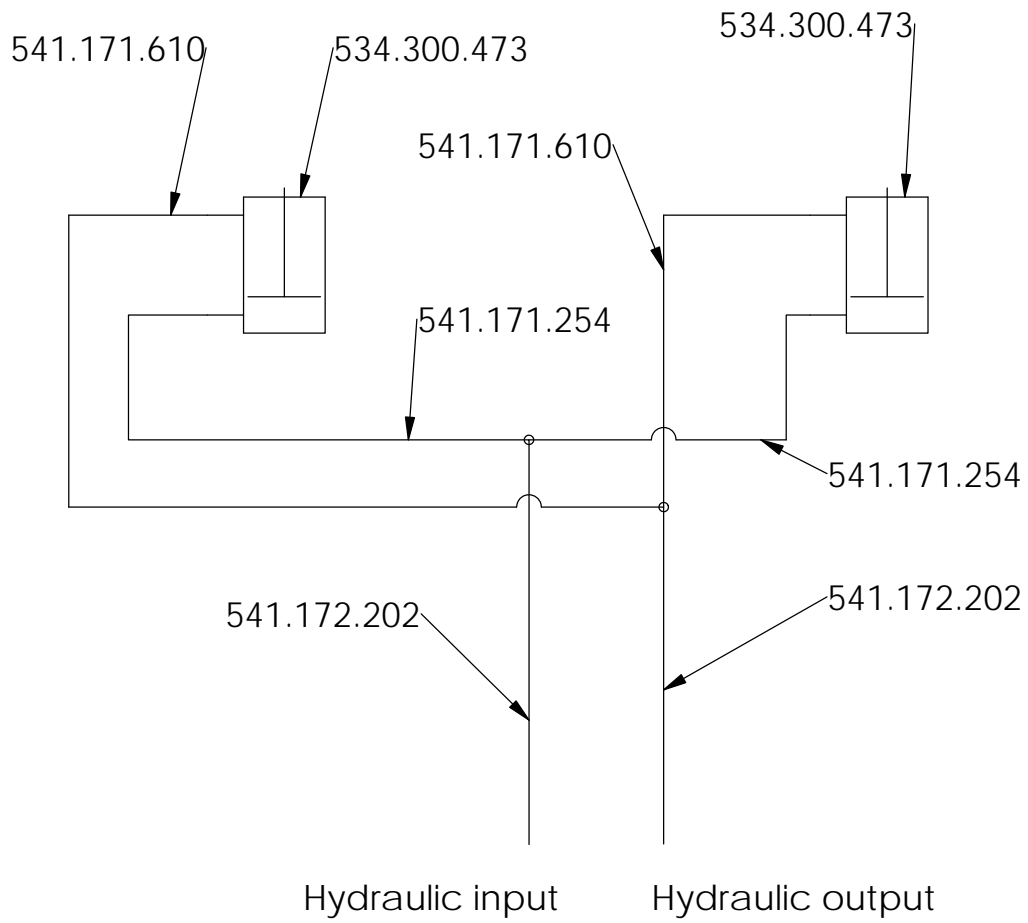
ITEM	PART NUMBER	DESCRIPTION	REMARKS	QUA
1	391.720.484	Ripping tine		8
2	468.129.180	Scraper		1
3	900.280.402	Safety decall manual		1
4	933.280.402	Safety decall		2
5	521.221.600	3-point pin		2
6	444.803.100	Toolbox Complete		1
7	521.191.600	Top link pin OS		1
8	864.140.031	Large washer M14 - DIN 9021		2
9	494.185.091	Frame Laser-Grader 1800		1
10	468.106.300	Side blade		2
11	866.080.020	Spring Washer M8 - DIN 127		2
12	804.080.350	Bolt M8 x 35 - ISO 4017		2
13	816.120.450	Bolt M12 x 45- DIN 7991		8
14	830.120.120	Self Lock Nut M12 - ISO 10511		14
15	521.190.730	Top link pin D19 L = 46		8
16	816.120.350	Bolt M12 x 35- DIN 7991		6
17	900.260.504	Decall Blec black		2
18	523.051.000	R-clip Round 5, DIN 11024		3
19	523.100.570	Linch Pin d10		8
20	992.260.504	Label Box-Grader		2
	192.180.002	Box-Grader 1800 assembly	Complete Box-Grader 1800	

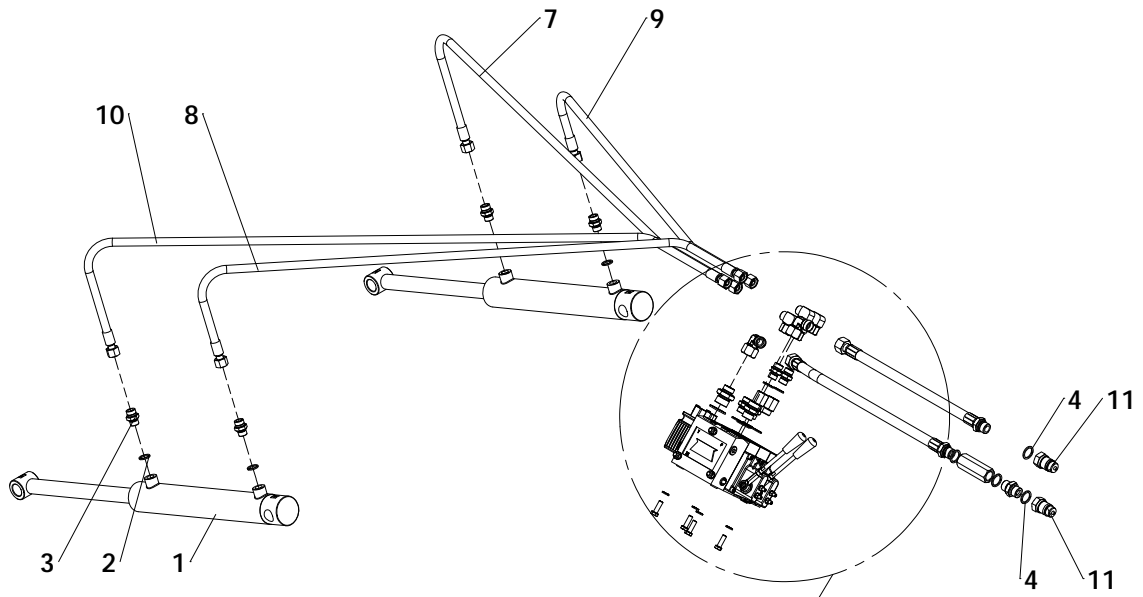
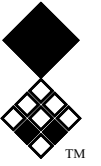


ITEM	PART NUMBER	DESCRIPTION	REMARKS	QUA
1	521.251.300	Pin Ø25 L=130		2
2	474.402.530	Pivot pin		1
3	523.120.650	Linch Pin D12		5
4	406.410.050	Ring		3
5	864.120.030	Washer M12 - ISO 7089		2
6	830.120.120	Self Lock Nut M12 - ISO 10511		3
7	802.120.800	Bolt M12 x 80 - ISO 4014		3
8	529.503.702	Din Pull eye 50x50 - Ø40		1
9	521.190.740	Top Link Pin Ø19 L=74		1
10	494.078.100	Drawbar		1
11	523.100.570	Linch Pin d10		3
12	522.194.450	Toplink Cat. 1 L0=498 Stroke=200		1
13	534.300.473	Hydraulic Cylinder 30-50, Stroke 300mm		2
14	880.060.100	Grease nipple M6 DIN 71412A		8
15	511.660.305	Wheel 26x12 inch complete		4
16	844.160.160	Wheel Nut M16		20
17	474.401.800	Wheel pin		2
18	406.410.050	Ring		2
19	484.550.170	Axle		2
20	468.201.900	Spacer		1
21	830.160.160	Self Lock Nut M16 - ISO 10511		2
22	802.160.650	Bolt M16 x 65 - ISO 4014		2
23	880.060.104	Grease nipple M6 45deg. DIN 71412B		2
24	494.803.532	Wheel frame right		1
25	494.803.530	Wheel frame left		1
26	521.251.380	Top link pin		2
27	474.401.800	Wheel pin		2
28	402.260.120	Distance bush D=40 d=26 L=11.5		4
29	768.420.440	Round tube insert Ø44.4 1-3		4

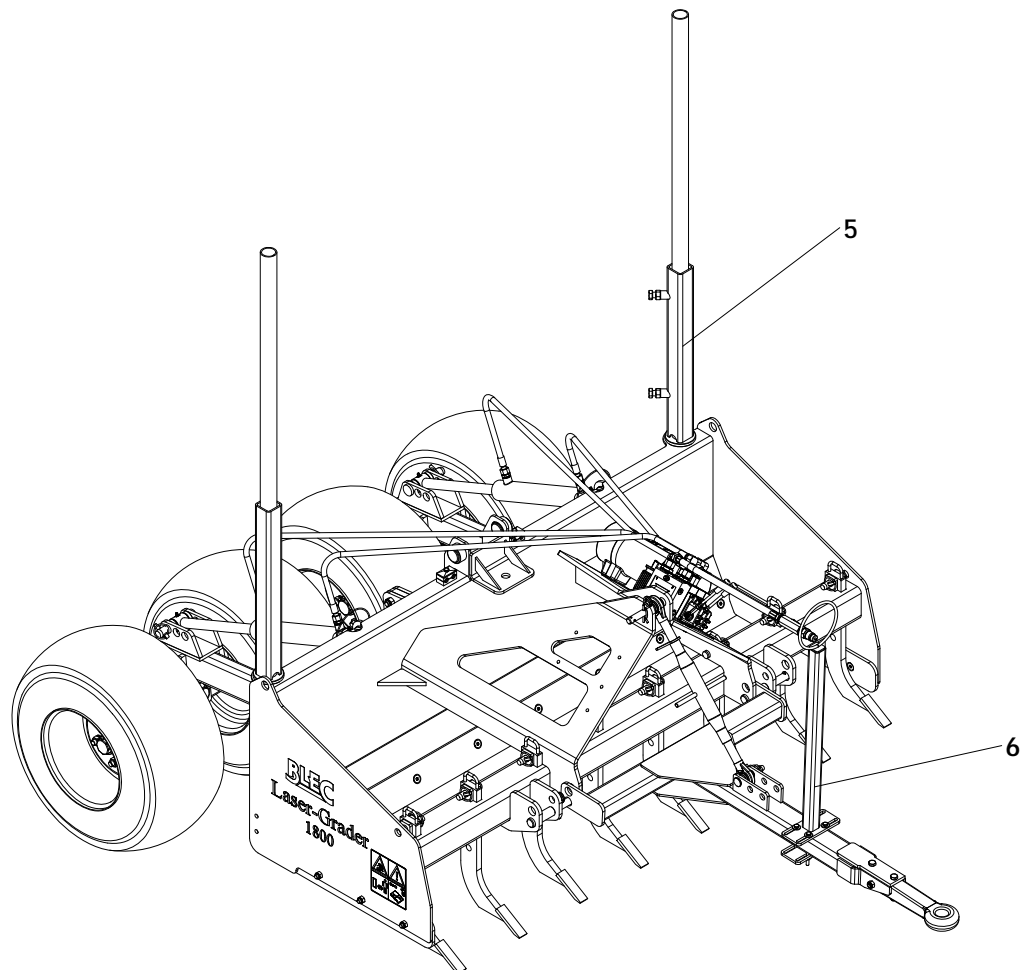


ITEM	PART NUMBER	DESCRIPTION	REMARKS	QUA
1	541.172.202	Hose NSK10-3/8" TL=2200 PGLO1018 + PN108		2
2	545.210.800	Quick connector male 1/2"		2
3	874.210.020	Copper washer 1_2		2
4	874.170.020	Copper washer 3_8		4
5	544.170.120	Nipple BSP 3_8" x pipe 12 (M18)		4
6	541.171.610	Hose NSK10-3/8" TL=1610 2xPGLO1018		1
7	541.171.254	Hose NSK10-3/8" TL=1250 2xPGLO1018		1
8	541.171.610	Hose NSK10-3/8" TL=1610 2xPGLO1018		1
9	541.171.254	Hose NSK10-3/8" TL=1250 2xPGLO1018		1
10	830.080.080	Self Lock Nut M8 - ISO 10511		3
11	547.150.150	Hose clamp double 15mm		6
12	547.300.510	Cover plate hose clamp 2x15 - 2x18		3
13	802.080.650	Bolt M8 x 65 - ISO 4014		3
14	544.124.125	T-Connector 12x12x12		2

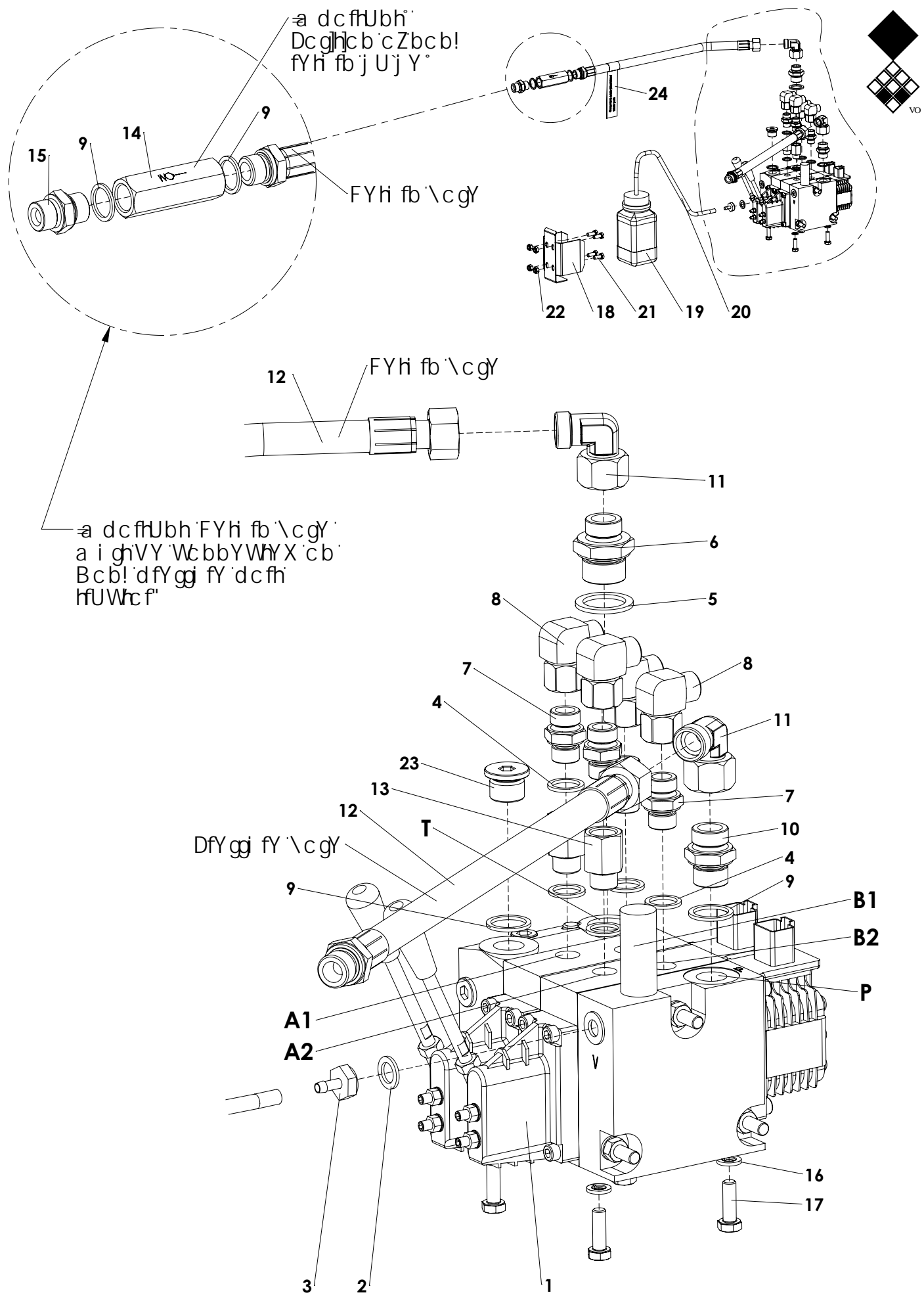




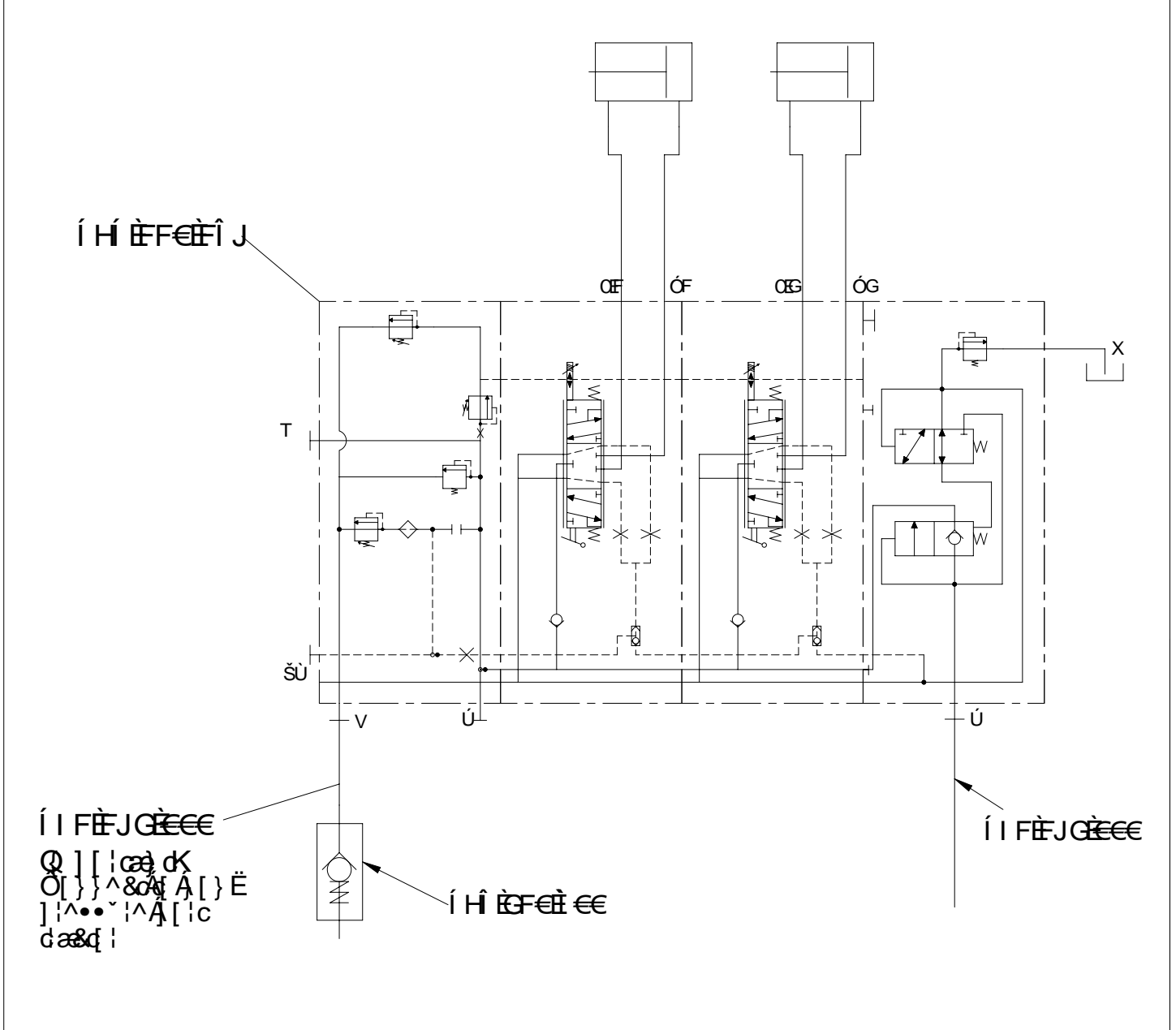
Page 07

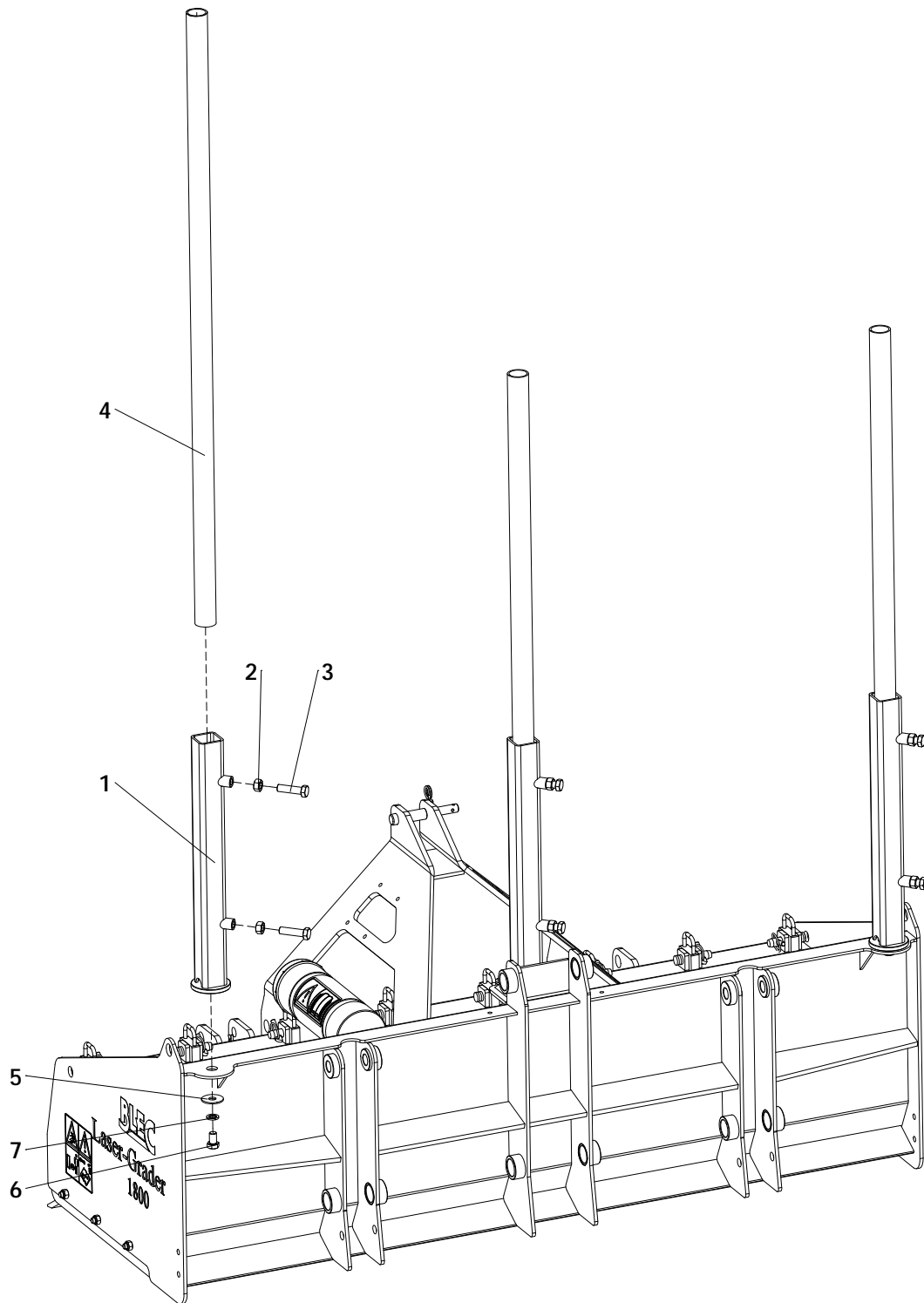
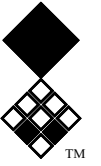


ITEM	PART NUMBER	DESCRIPTION	REMARKS	QUA
1	534.300.473	Hydraulic Cylinder 30-50, Stroke 300mm		2
2	874.170.020	Copper washer 3_8		4
3	544.170.120	Nipple BSP 3_8" x pipe 12 (M18)		4
4	874.210.020	Copper washer 1_2		2
5	292.240.002	Laser pole assembly		2
6	292.180.010	Hose pole		1
7	541.171.610	Hose NSL10-3/8" TL=1610 2xPGLO1018		1
8	541.171.254	Hose NSL10-3/8" TL=1250 2xPGLO1018		1
9	541.171.254	Hose NSL10-3/8" TL=1250 2xPGLO1018		1
10	541.171.610	Hose NSL10-3/8" TL=1610 2xPGLO1018		1
11	545.210.800	Quick connector male 1/2"		2

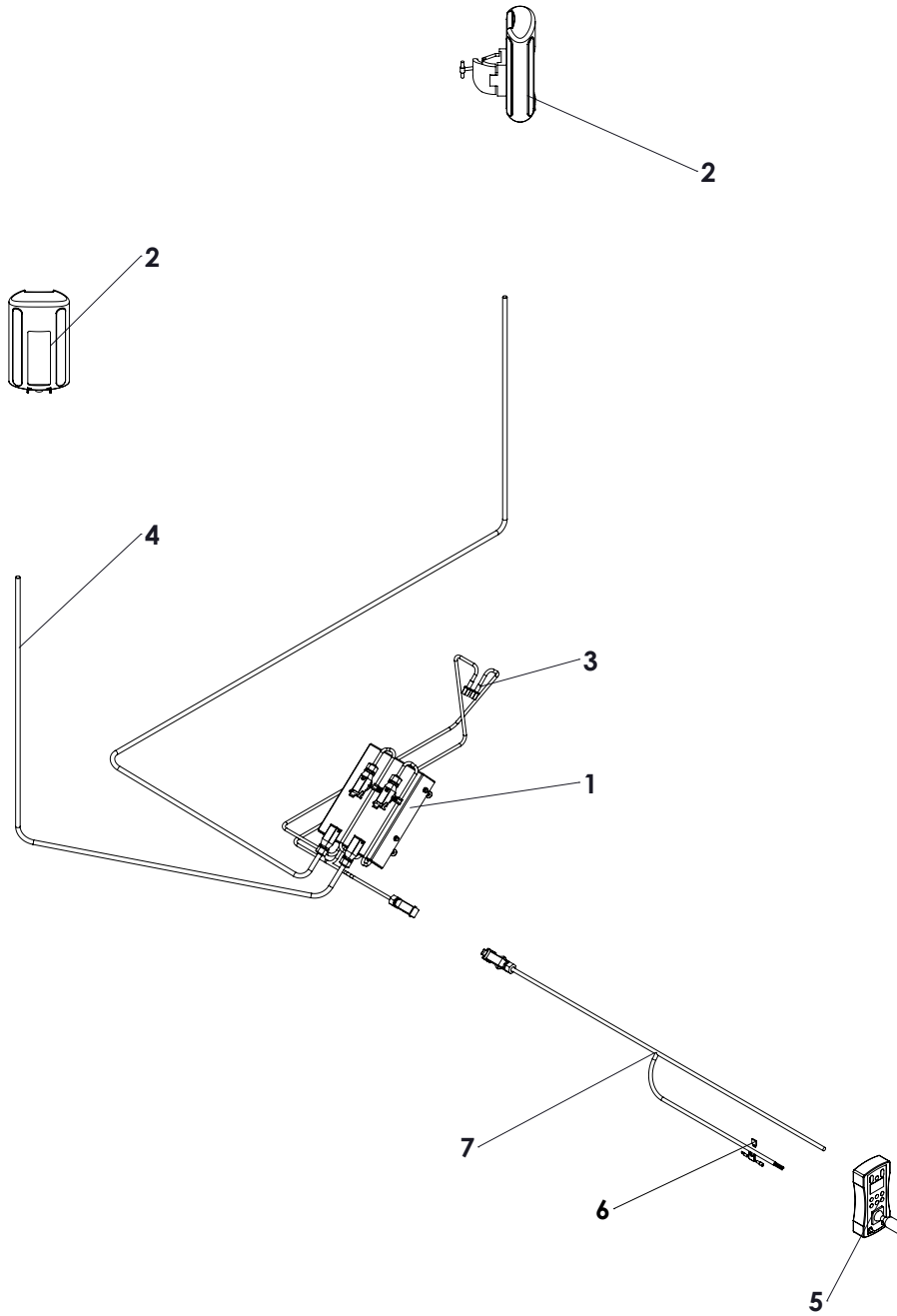


#DA	D5FHBI A 69F	89G7 F ÐHC B	F9A 5F?G	E I 5
%)')"%/\$%"* -	DJ; %* 'J Uj' Y Zc f hfU Wrc fa ci bh]b[%
&	, + ("%" "\$"&&\$	7 cddYfk Ug\Yf%#(" "		&
') (- "\$* "\$%" \$	B]dd`Y		%
(, + ("%" + "\$"&&\$	7 cddYfk Ug\Yf' S,		*
)	, + ("&* "\$"&&\$	7 cddYfk Ug\Yf' #(" "		%
*) (("&* "\$"&&&	B]dd`Y`d]dY" S ("1`d]dY`%)`fA &&L		%
+) (("%" + "\$"&&\$	B]dd`Y`6GD' S, "1`d]dY`%&fA % L		(
,) (("&' "\$"&&\$	@7 cbbYWrc fDA žD]dY`%&A %		(
-	, + ("&%" "\$"&&\$	7 cddYfk Ug\Yf%\$&		(
%\$) (("&%" "\$"&&\$	B]dd`Y`6GD`%\$&"1`d]dY`%)`fA &&L		%
%%) (("%" %%" "\$"&&\$	@7 cbbYWrc fDA "D]dY`%)`!A &&		&
%&) ("%%" & "\$&&\$	<c gY`BG?%`!%#&"H@!&) \$D; @C % &&DB% ,		&
%) (' "%" + "\$"&&+&	9l hYbg]cb`b]d]dY` ; ' #, '1; ' #, "'@!& ") a a		&
%(`) ' * "%&\$" , \$&\$	G@Bcb!FYhi fb`J Uj`Y`%#&`Z`\$")`VUF		%
%@) (' "%&\$" &%" \$&\$	B]dd`Y`6GD`%\$&"1`%\$&" * "\$XY[`		%
%*	, ** "\$" , \$&\$&\$	Gd]fb[`K Ug\YfA , '1`8`B`%&+`		(
%+	, \$ (" \$" , \$&)" \$	6c`hA , '1`&) `!`€C` `(\$%+`		(
%) ' * "\$&\$" +) \$	C`]h]b_`\c`XYf		%
%-) ' * "+ (%" *) \$	C`]h]b_`) \$ \$`a`		%
&\$) ' * "\$`- + "\$&&\$	7`YUfh`VY		%
&%	, \$ ("% \$" \$&)" \$	6c`hA , '1`&\$!`€C` `(\$%+`		(
&&	, ' "\$" , \$&\$, \$	GY`Z@c`W`_Bi`hA , '1`€C` `)%\$`)%%		(
&') (- "&%" "\$&&\$	6`]bX`d`i`[; %`#&		%
&(- &&" (" "\$&&\$	8YWU`Zc`ffYhi`fb`\c`gY		%

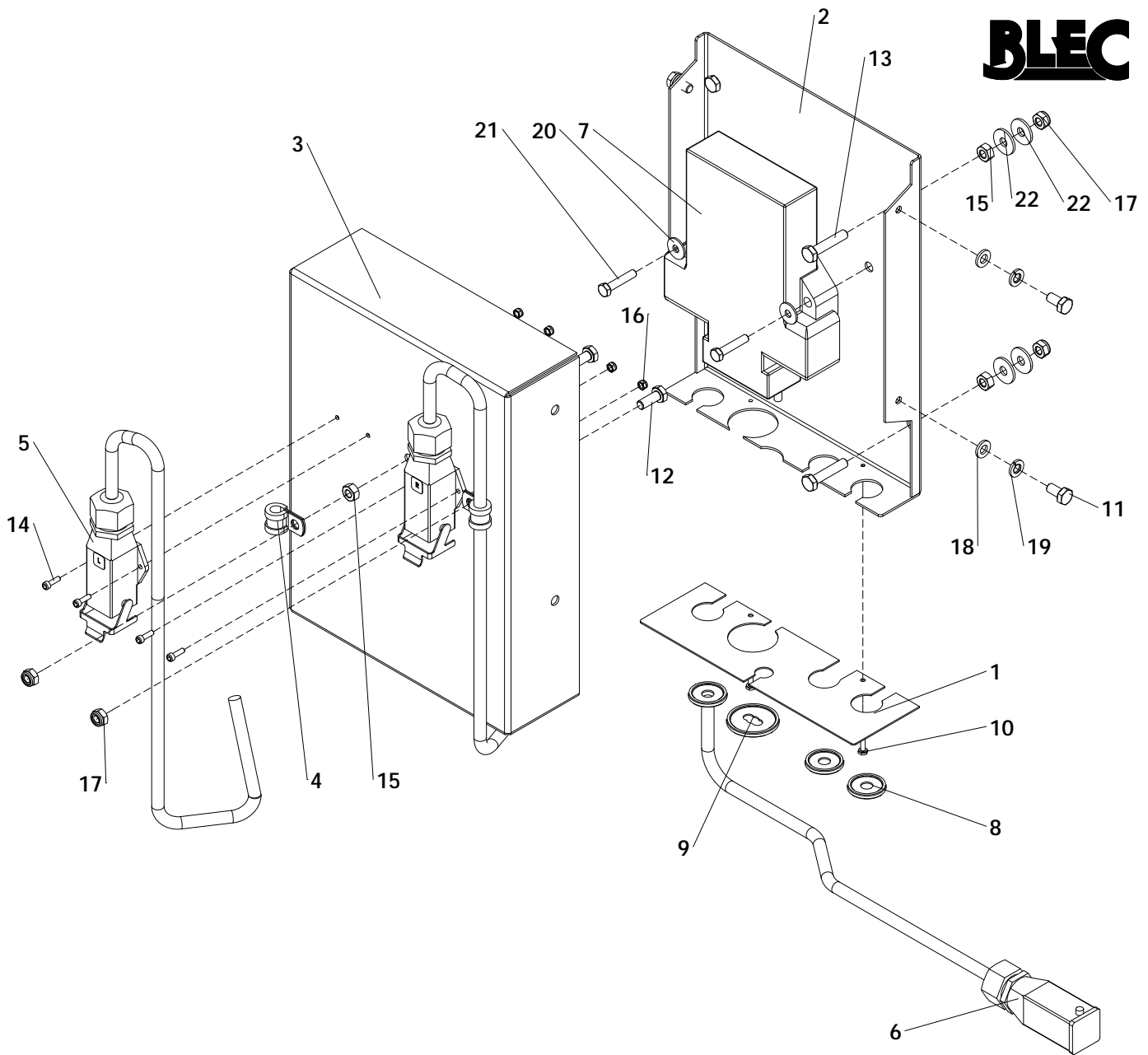




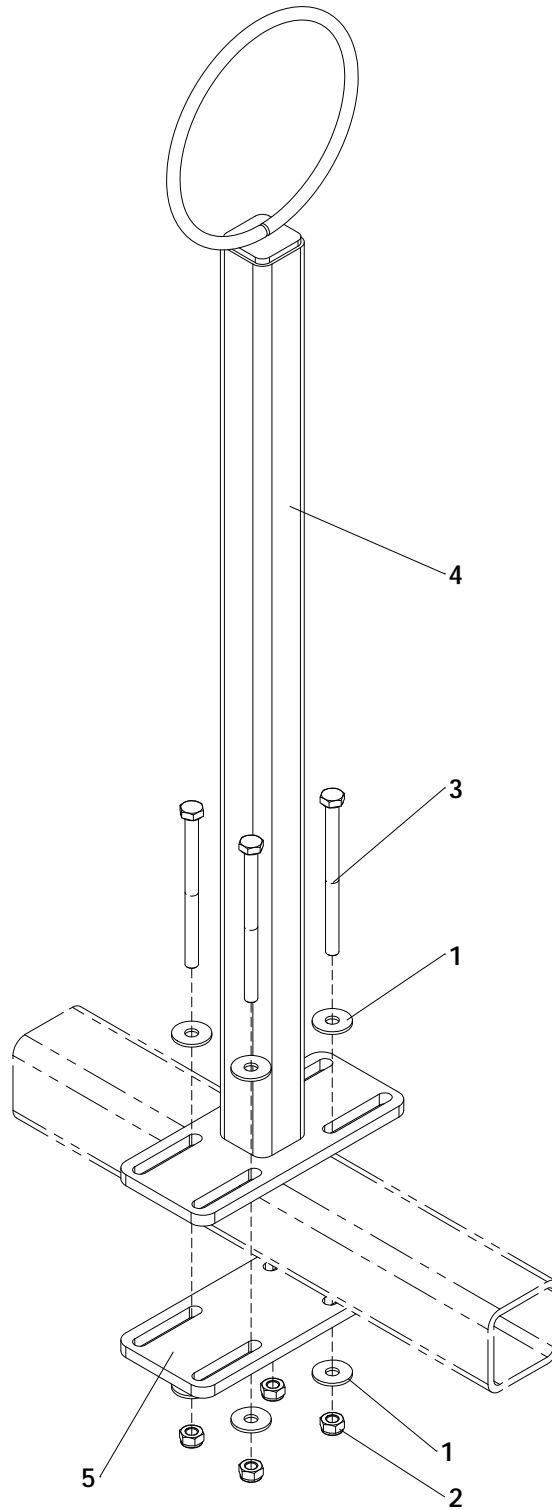
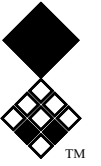
ITEM	PART NUMBER	DESCRIPTION	REMARKS	QUA
1	462.906.160	Pole base		1
2	826.160.160	Nut M16 - DIN 934		2
3	804.160.600	Bolt M16 x 60 - ISO 4017		2
4	476.489.150	Pole		1
5	864.160.031	Large washer M16 - DIN 9021		1
6	804.160.250	Bolt M16 x 25 - ISO 4017		1
7	866.160.020	Spring Washer M16 - DIN 127		1
	292.240.002	Laser pole assembly	Kit number for 1 pole	



ITEM	PART NUMBER	DESCRIPTION	REMARKS	QUA Double	QUA Single
1		Laser control box	See page LK02	1	1
2	569.160.200	Trimble LR410		2	1
3	563.081.000	Valve wire		1	1
4	563.102.000 La	Laser wire		2	1
5	569.100.200	Control box laser		1	1
6	565.050.208	Fuse 10A		1	1
7	563.123.000	Tractor Wire		1	1
	191.180.003	Receivers and cantrole box dual pole kit	Page LK01 + LK02	1	0
	191.180.004	Receivers and cantrole box single pole kit	Page LK01 + LK02	0	1



ITEM	PART NUMBER	DESCRIPTION	REMARKS	QUA
1	456.006.019	Cover		1
2	456.020.027	Rear cover		1
3	456.021.027	Front cover		1
4	547.080.160	Hose Clamp Ø8		2
5	563.080.300	Connector + wire		2
6	569.081.500	Connector female + wire		1
7	569.302.000	Computer laser kit		1
8	592.025.003	Hole cover		3
9	592.034.004	Hole cover		1
10	804.030.160	Bolt M3 x 16 - ISO 4017		2
11	804.060.120	Bolt M6 x 12 - ISO 4017		4
12	804.060.160	Bolt M6 x 16 - ISO 4017		2
13	804.060.300	Bolt M6 x 30 - ISO 4017		4
14	814.030.100	Bolt M3 x 10 - DIN 912		4
15	826.060.060	Nut M6 - DIN 934		6
16	830.030.030	Self Lock Nut M3 - ISO 10511		4
17	830.060.060	Self Lock Nut M6 - ISO 10511		6
18	864.060.030	Washer M6 - ISO 7089		4
19	866.060.020	Spring Washer M6 - DIN 127		4
20	864.050.031	Large washer M5 - DIN 9021		2
21	804.050.250	Bolt M5 x 25 - ISO 4017		2
22	864.060.031	Large washer M6 - DIN 9021		8



ITEM	PART NUMBER	DESCRIPTION	REMARKS	QUA
1	864.080.024	Large washer M8 - DIN 9021		8
2	830.080.080	Self Lock Nut M8 - ISO 10511		4
3	804.081.100	Bolt M8 x 110 - ISO 4017		4
4	462.820.075	Hose pole frame		1
5	468.081.752	Strip		1
	292.180.010	Hose pole	Parts 1 - 5	