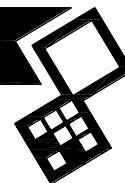
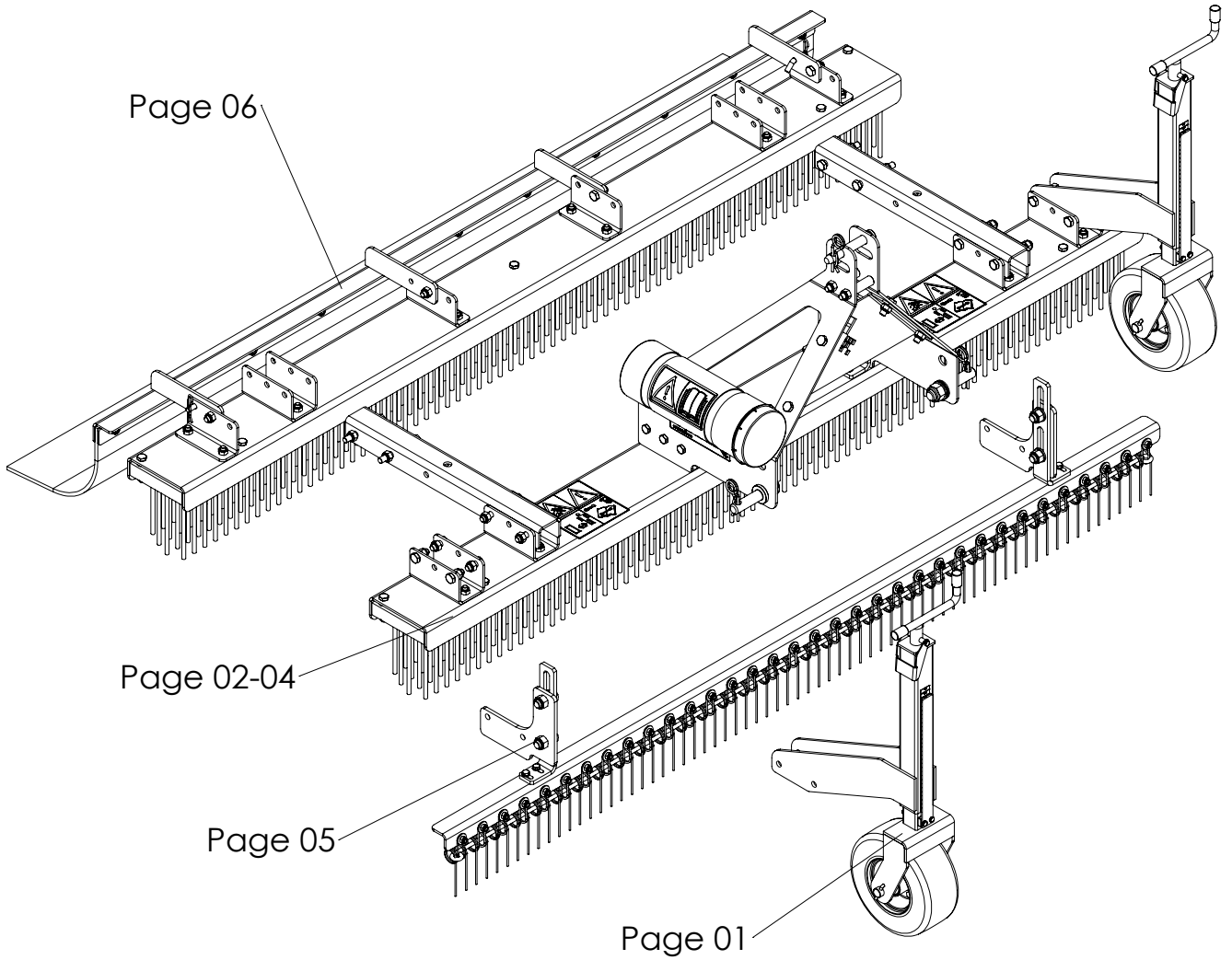


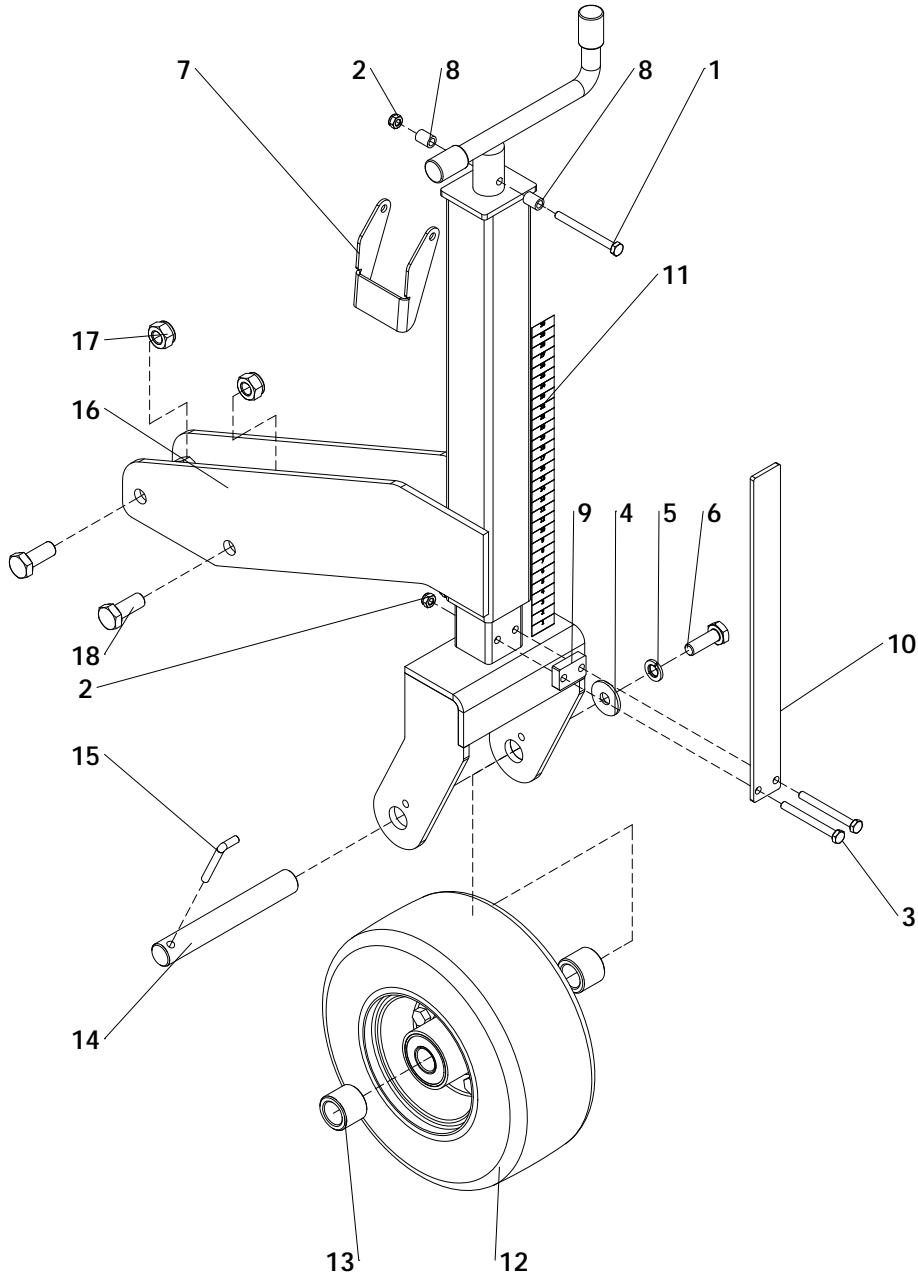
# COMBI-GROOM



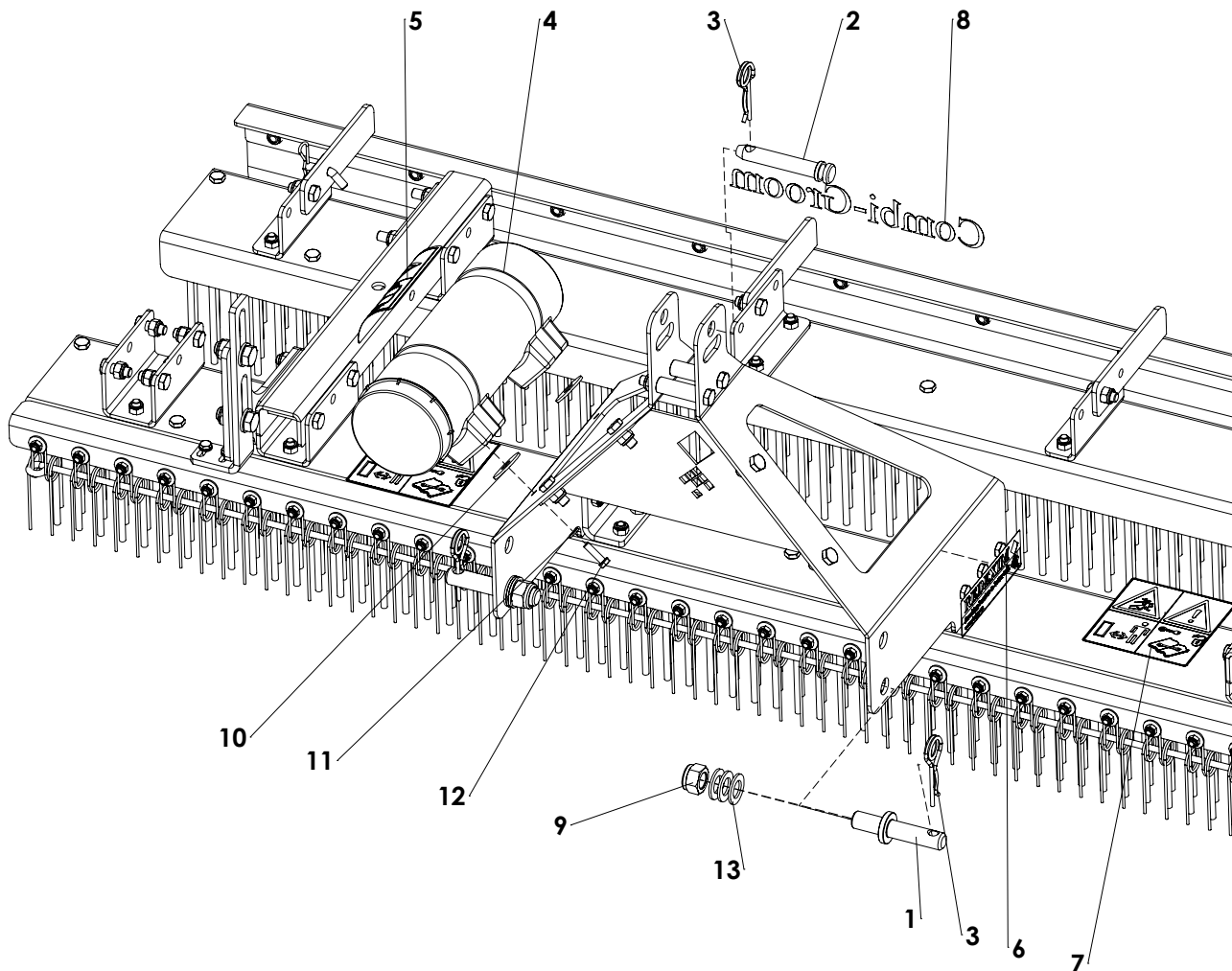
Version: 2150



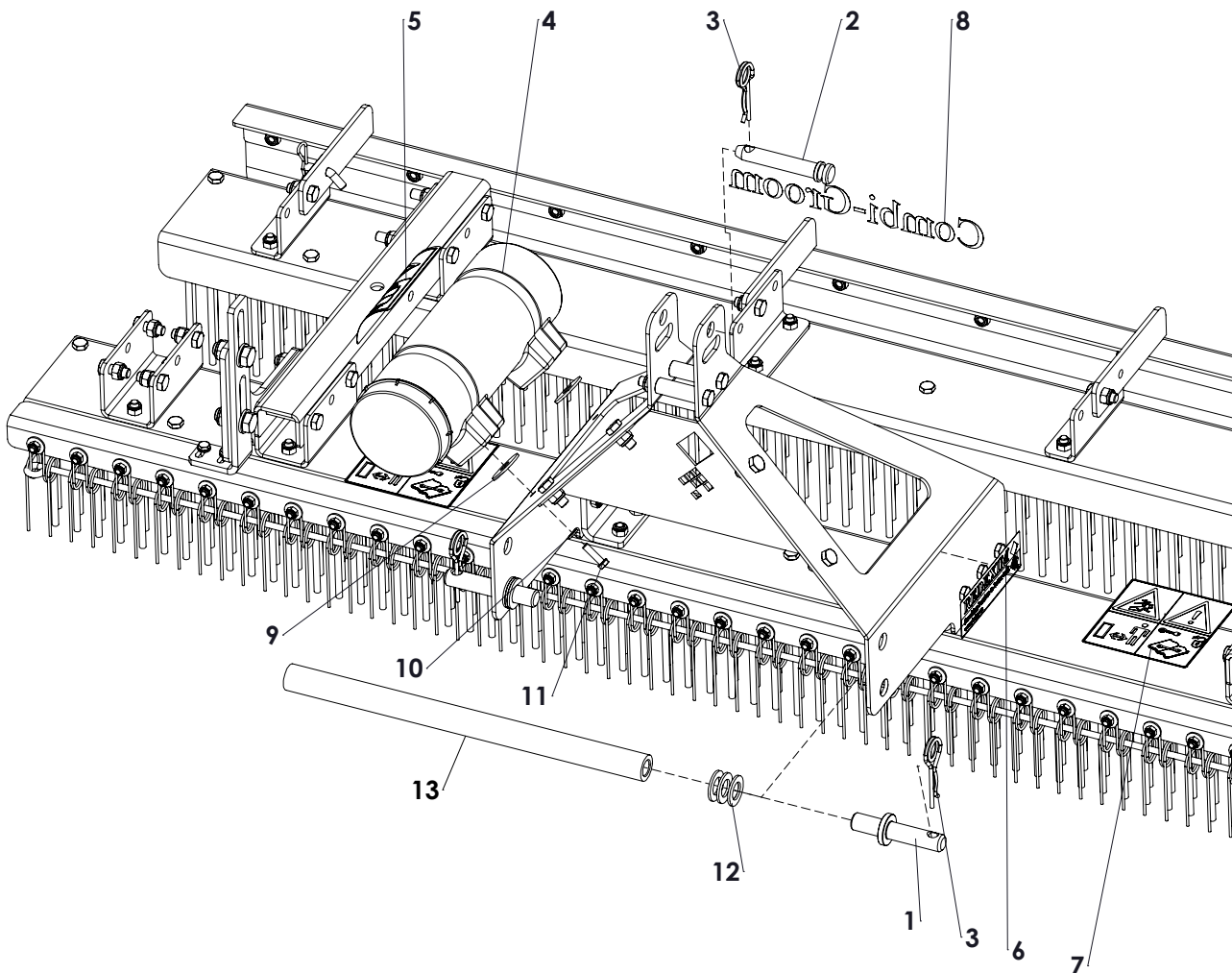
Option:  
Rake Page 07  
Magnatic bar Page 08  
Draw bar Page 09



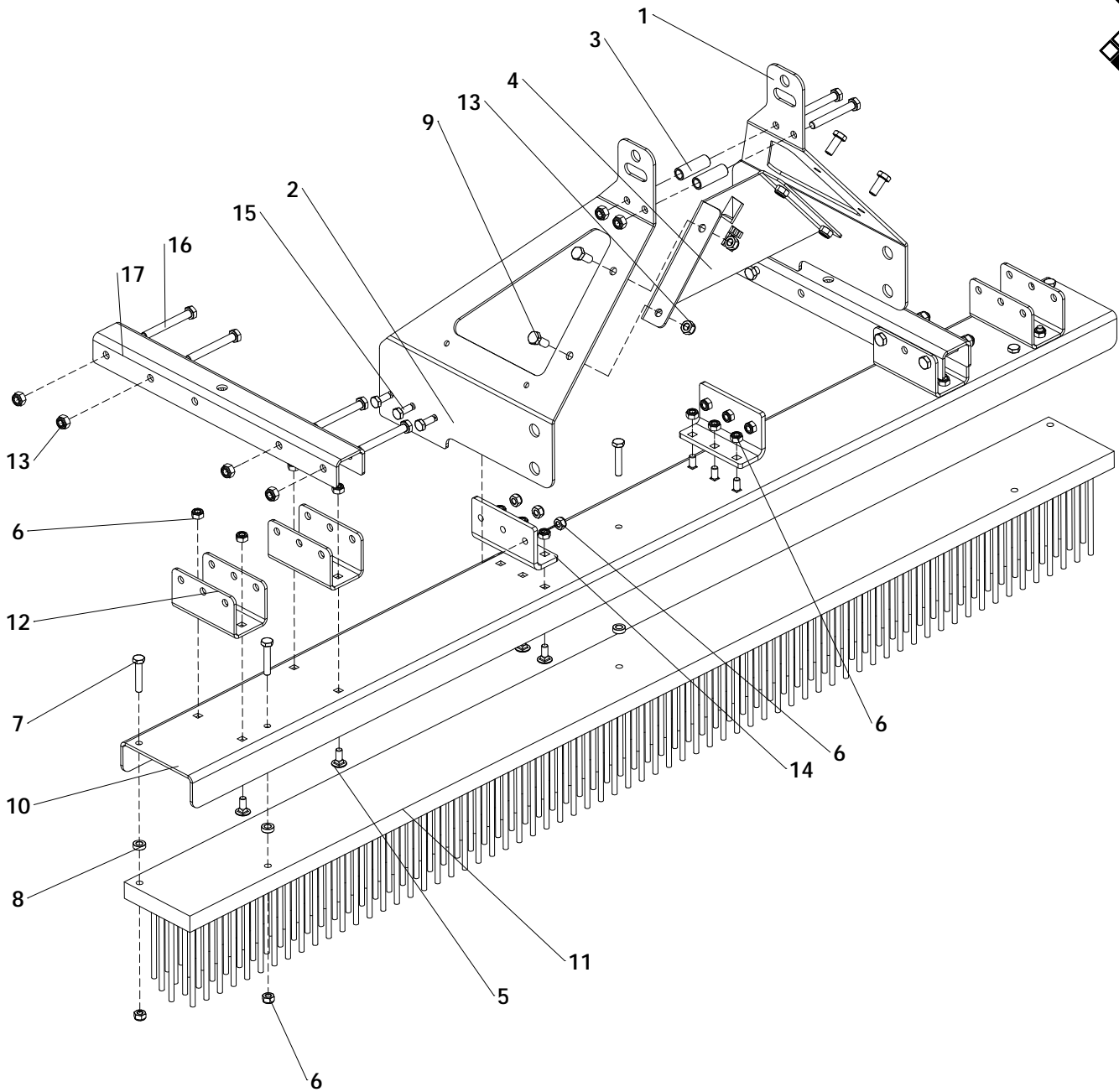
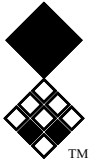
| ITEM | PART NUMBER | DESCRIPTION                    | REMARKS | QUA |
|------|-------------|--------------------------------|---------|-----|
| 1    | 802.060.650 | Bolt M6 x 65 - ISO 4014        |         | 2   |
| 2    | 830.060.060 | Self Lock Nut M6 - ISO 10511   |         | 6   |
| 3    | 802.060.600 | Bolt M6 x 60 - ISO 4014        |         | 4   |
| 4    | 864.100.031 | Large washer M10 - DIN 9021    |         | 2   |
| 5    | 866.100.020 | Spring Washer M10 - DIN 127    |         | 2   |
| 6    | 804.100.300 | Bolt M10 x 30 - ISO 4017       |         | 2   |
| 7    | 468.031.180 | Lock Plate                     |         | 2   |
| 8    | 402.070.140 | Distance Bush                  |         | 4   |
| 9    | 464.080.300 | Distance Block                 |         | 2   |
| 10   | 464.043.150 | Height Indicator Strip, L= 315 |         | 2   |
| 11   | 900.260.414 | Decall Ruler                   |         | 2   |
| 12   | 511.210.091 | Wheel 9x3.50-4NHS              |         | 2   |
| 13   | 406.200.240 | Distance bush Ø30/Ø20.2 L=24.5 |         | 4   |
| 14   | 416.201.460 | Wheel shaft                    |         | 2   |
| 15   | 424.060.480 | Lock Pin                       |         | 2   |
| 16   | 460.507.500 | Wheel jack                     |         | 2   |
| 17   | 830.120.120 | Self Lock Nut M12 - ISO 10511  |         | 8   |
| 18   | 804.120.300 | Bolt M12 x 30 - ISO 4017       |         | 8   |



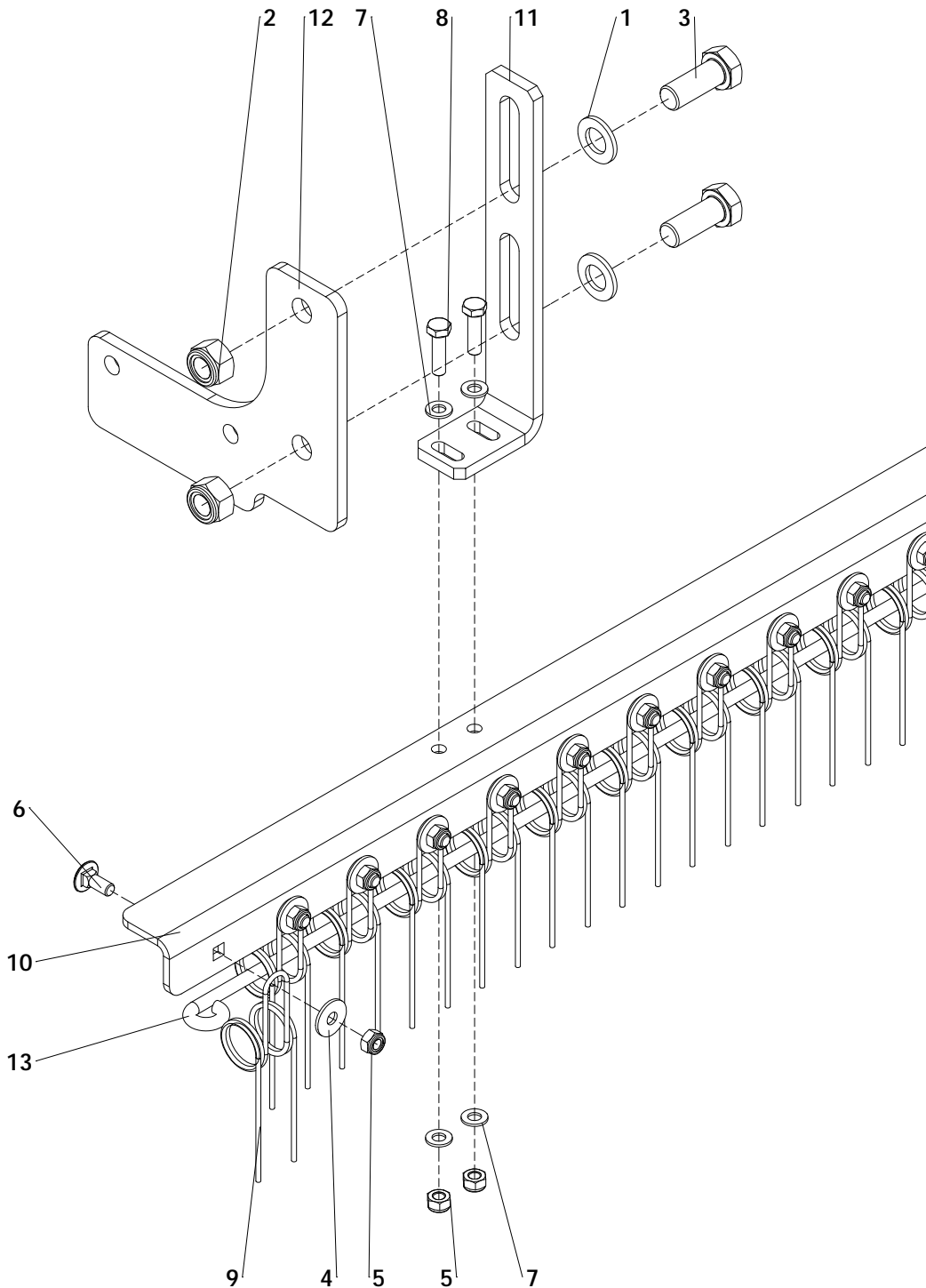
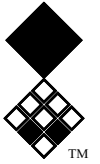
| ITEM | PART NUMBER | DESCRIPTION                   | REMARKS | QUA |
|------|-------------|-------------------------------|---------|-----|
| 1    | 2490881     | Bottom 3-Point Pin            |         | 2   |
| 2    | 521.191.120 | Top Link Pin                  |         | 1   |
| 3    | 523.051.000 | R-clip Round 5, DIN 11024     |         | 3   |
| 4    | 444.803.100 | Toolbox Complete              |         | 1   |
| 5    | 900.280.402 | Safety decall manual          |         | 1   |
| 6    | 900.260.403 | Logo Label                    |         | 2   |
| 7    | 933.280.402 | Safety decal                  |         | 2   |
| 8    | 911.260.413 | Decall Combi-Groom            |         | 1   |
| 9    | 830.220.220 | Self Lock Nut M22 - ISO 10511 |         | 2   |
| 10   | 864.140.031 | Large washer M14 - DIN 9021   |         | 2   |
| 11   | 866.080.020 | Spring Washer M8 - DIN 127    |         | 2   |
| 12   | 804.080.300 | Bolt M8 x 30 - ISO 4017       |         | 2   |
| 13   | 864.220.030 | Washer M22 - ISO 7089         |         | 6   |



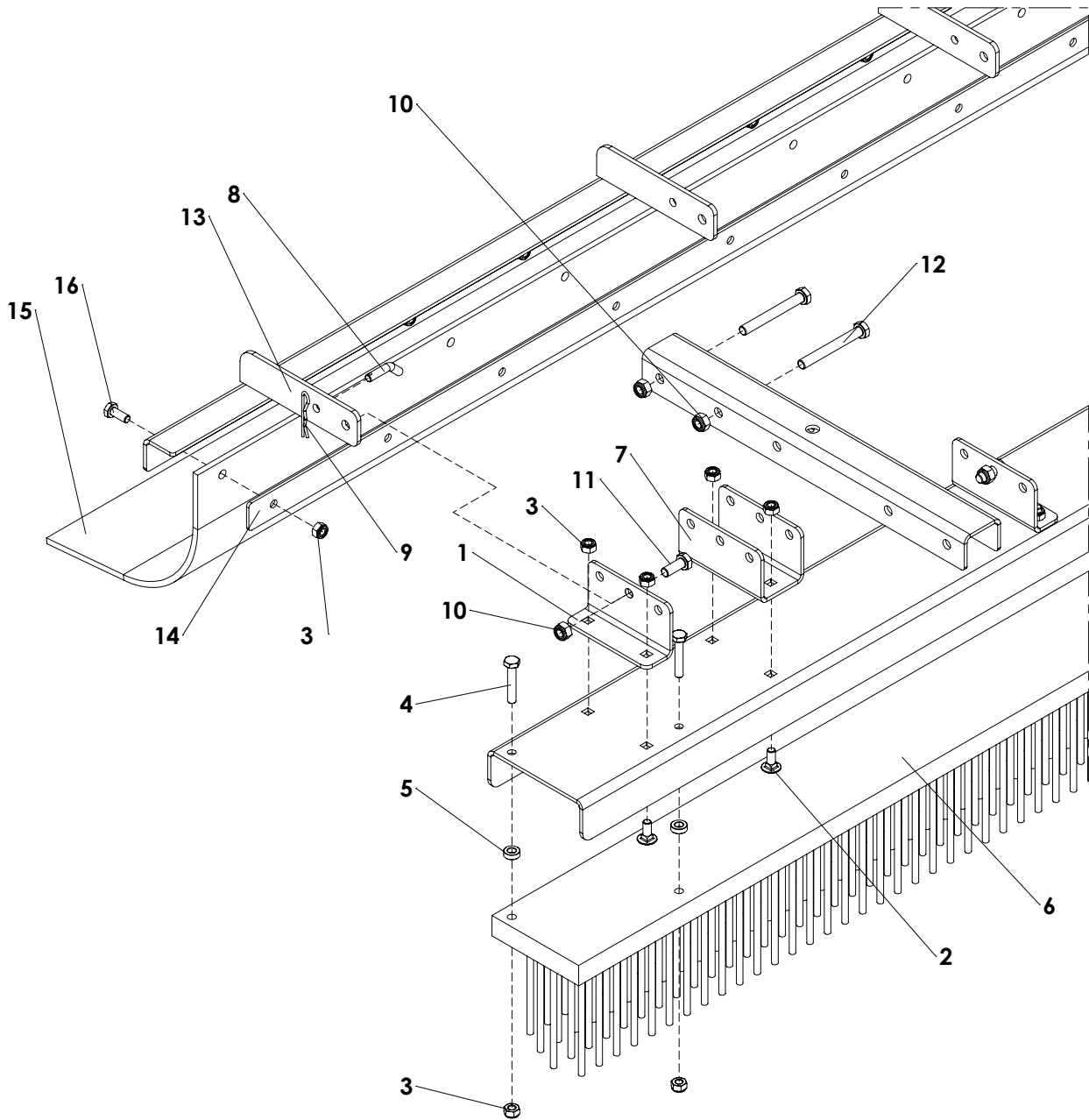
| ITEM | PART NUMBER | DESCRIPTION                 | REMARKS | QUA |
|------|-------------|-----------------------------|---------|-----|
| 1    | 2490881     | Bottom 3-Point Pin          |         | 2   |
| 2    | 521.191.120 | Top Link Pin                |         | 1   |
| 3    | 523.051.000 | R-clip Round 5, DIN 11024   |         | 3   |
| 4    | 444.803.100 | Toolbox Complete            |         | 1   |
| 5    | 900.280.402 | Safety decall manual        |         | 1   |
| 6    | 900.260.403 | Logo Label                  |         | 2   |
| 7    | 933.280.402 | Safety decal                |         | 2   |
| 8    | 911.260.413 | Decall Combi-Groom          |         | 1   |
| 9    | 864.140.031 | Large washer M14 - DIN 9021 |         | 2   |
| 10   | 866.080.020 | Spring Washer M8 - DIN 127  |         | 2   |
| 11   | 804.080.300 | Bolt M8 x 30 - ISO 4017     |         | 2   |
| 12   | 864.220.030 | Washer M22 - ISO 7089       |         | 6   |
| 13   | 476.034.491 | Reinforcement pipe          |         | 1   |



| ITEM | PART NUMBER | DESCRIPTION                   | REMARKS | QUA |
|------|-------------|-------------------------------|---------|-----|
| 1    | 468.083.900 | 3-Point plate left            |         | 1   |
| 2    | 468.083.902 | 3-Point plate right           |         | 1   |
| 3    | 402.200.600 | Distance bush                 |         | 2   |
| 4    | 468.044.022 | Support plate                 |         | 1   |
| 5    | 820.100.250 | MH Bolt M10 x 25 ISO 8677     |         | 14  |
| 6    | 830.100.100 | Self Lock Nut M10 - ISO 10511 |         | 25  |
| 7    | 802.100.550 | Bolt M10 x 55 - ISO 4014      |         | 5   |
| 8    | 406.110.070 | Distance bush Ø20/Ø10.5 L=7   |         | 5   |
| 9    | 804.120.300 | Bolt M12 x 30 - ISO 4017      |         | 4   |
| 10   | 470.089.200 | U-beam                        |         | 1   |
| 11   | 486.152.038 | Brush LW WL=155 L=2038        |         | 1   |
| 12   | 468.051.406 | U-bracket                     |         | 4   |
| 13   | 830.120.120 | Self Lock Nut M12 - ISO 10511 |         | 12  |
| 14   | 468.081.404 | Support                       |         | 2   |
| 15   | 804.100.250 | Bolt M10 x 25 - ISO 4017      |         | 6   |
| 16   | 802.121.000 | Bolt M12 x 100 - ISO 4014     |         | 8   |
| 17   | 468.055.500 | Connection bar                |         | 2   |

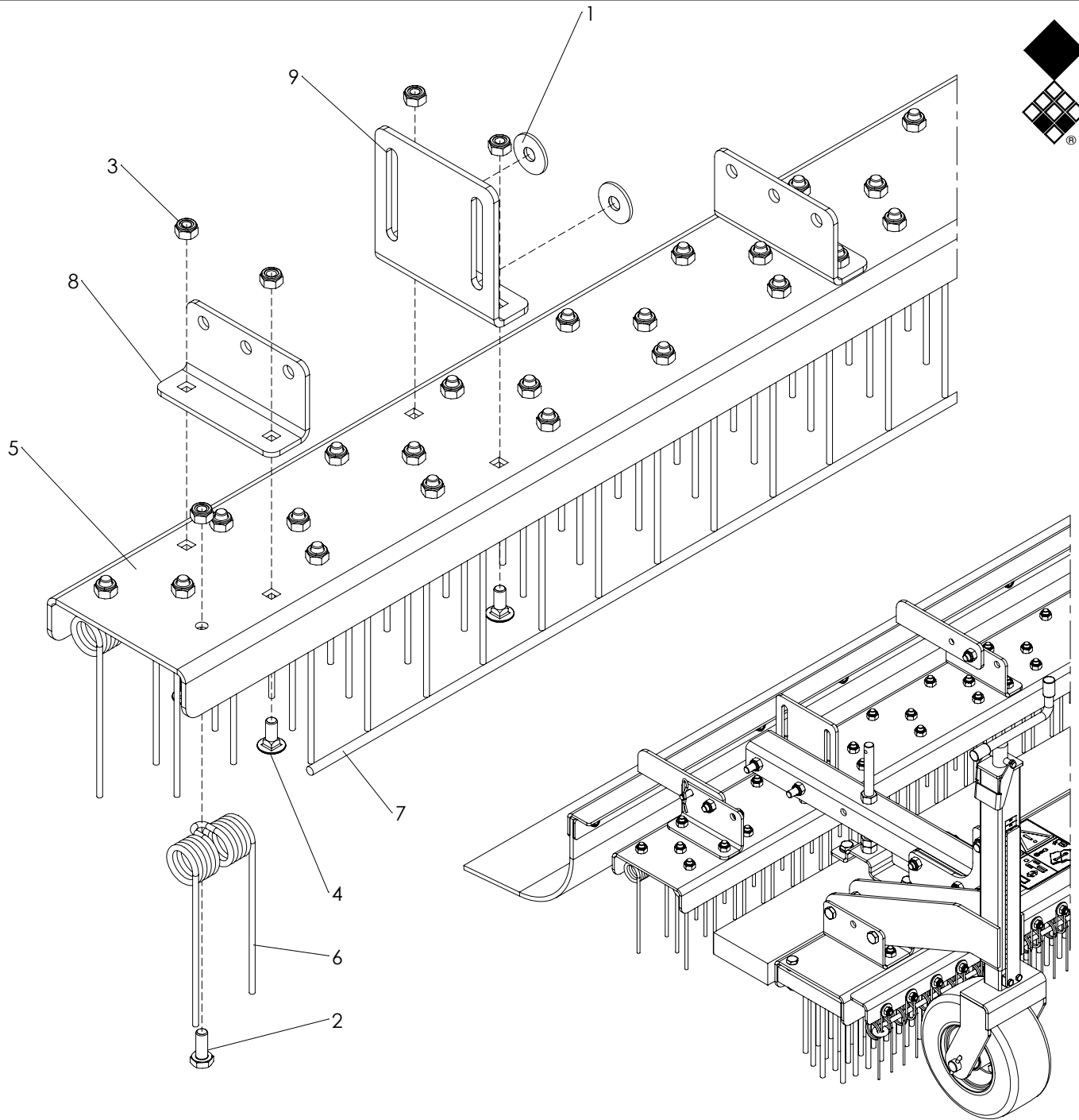


| ITEM | PART NUMBER | DESCRIPTION                   | REMARKS | QUA |
|------|-------------|-------------------------------|---------|-----|
| 1    | 864.160.030 | Washer M16 - ISO 7089         |         | 4   |
| 2    | 830.160.160 | Self Lock Nut M16 - ISO 10511 |         | 4   |
| 3    | 804.160.400 | Bolt M16 x 40 - ISO 4017      |         | 4   |
| 4    | 864.080.024 | Large washer M8 - DIN 9021    |         | 34  |
| 5    | 830.080.080 | Self Lock Nut M8 - ISO 10511  |         | 38  |
| 6    | 820.080.200 | MH Bolt M8 x 20 ISO 8677      |         | 34  |
| 7    | 864.080.030 | Washer M8 - ISO 7089          |         | 8   |
| 8    | 804.080.300 | Bolt M8 x 30 - ISO 4017       |         | 4   |
| 9    | 361.103.157 | Tine for rake VT              |         | 34  |
| 10   | 468.069.203 | Tine bar                      |         | 1   |
| 11   | 464.083.080 | Mounting strip beam           |         | 2   |
| 12   | 468.082.100 | Rake plate                    |         | 2   |
| 13   | 899.080.200 | Rope for spring tines         |         | 1   |

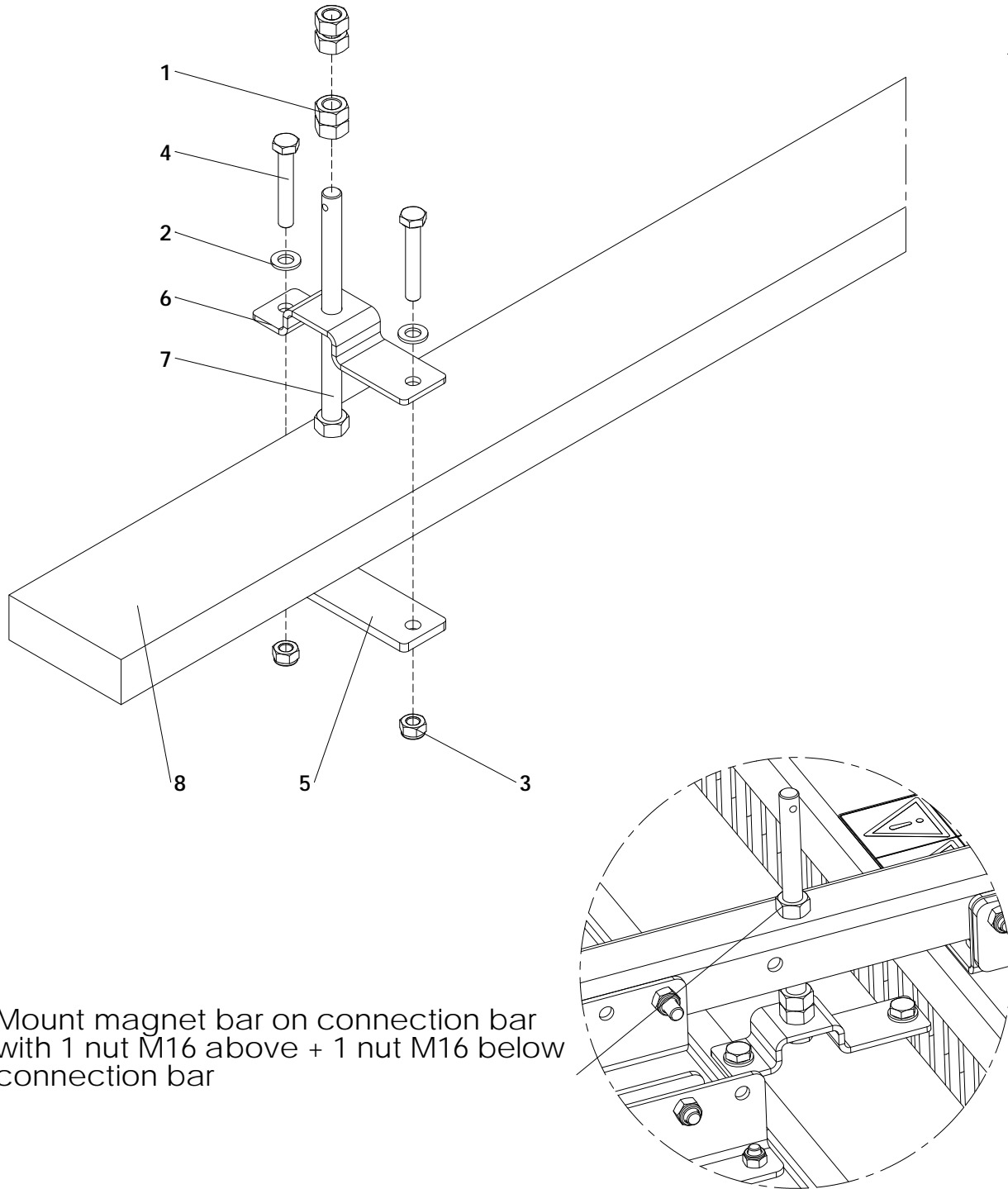


| ITEM | PART NUMBER | DESCRIPTION                            | REMARKS | QUA |
|------|-------------|--|---------|-----|
| 1    | 468.051.408 | L-bracket                              |         | 4   |
| 2    | 820.100.250 | MH Bolt M10 x 25 ISO 8677              |         | 12  |
| 3    | 830.100.100 | Self Lock Nut M10 - ISO 10511          |         | 28  |
| 4    | 802.100.550 | Bolt M10 x 55 - ISO 4014               |         | 5   |
| 5    | 406.110.070 | Distance bush Ø20/Ø10.5 L=7            |         | 5   |
| 6    | 486.152.038 | Brush LW WL=155 L=2038                 |         | 1   |
| 7    | 468.051.406 | U-bracket                              |         | 2   |
| 8    | 424.100.590 | Lock pin                               |         | 2   |
| 9    | 523.030.570 | R-Clip D=3                             |         | 2   |
| 10   | 830.120.120 | Self Lock Nut M12 - ISO 10511 Class 10 |         | 8   |
| 11   | 804.120.300 | Bolt M12 x 30 - ISO 4017               |         | 4   |
| 12   | 802.121.000 | Bolt M12 x 100 - ISO 4014              |         | 4   |
| 13   | 470.059.204 | Dragmat support                        |         | 1   |
| 14   | 464.049.200 | Lock strip                             |         | 1   |
| 15   | 446.069.202 | Rubber plate                           |         | 1   |
| 16   | 804.100.250 | Bolt M10 x 25 - ISO 4017               |         | 11  |





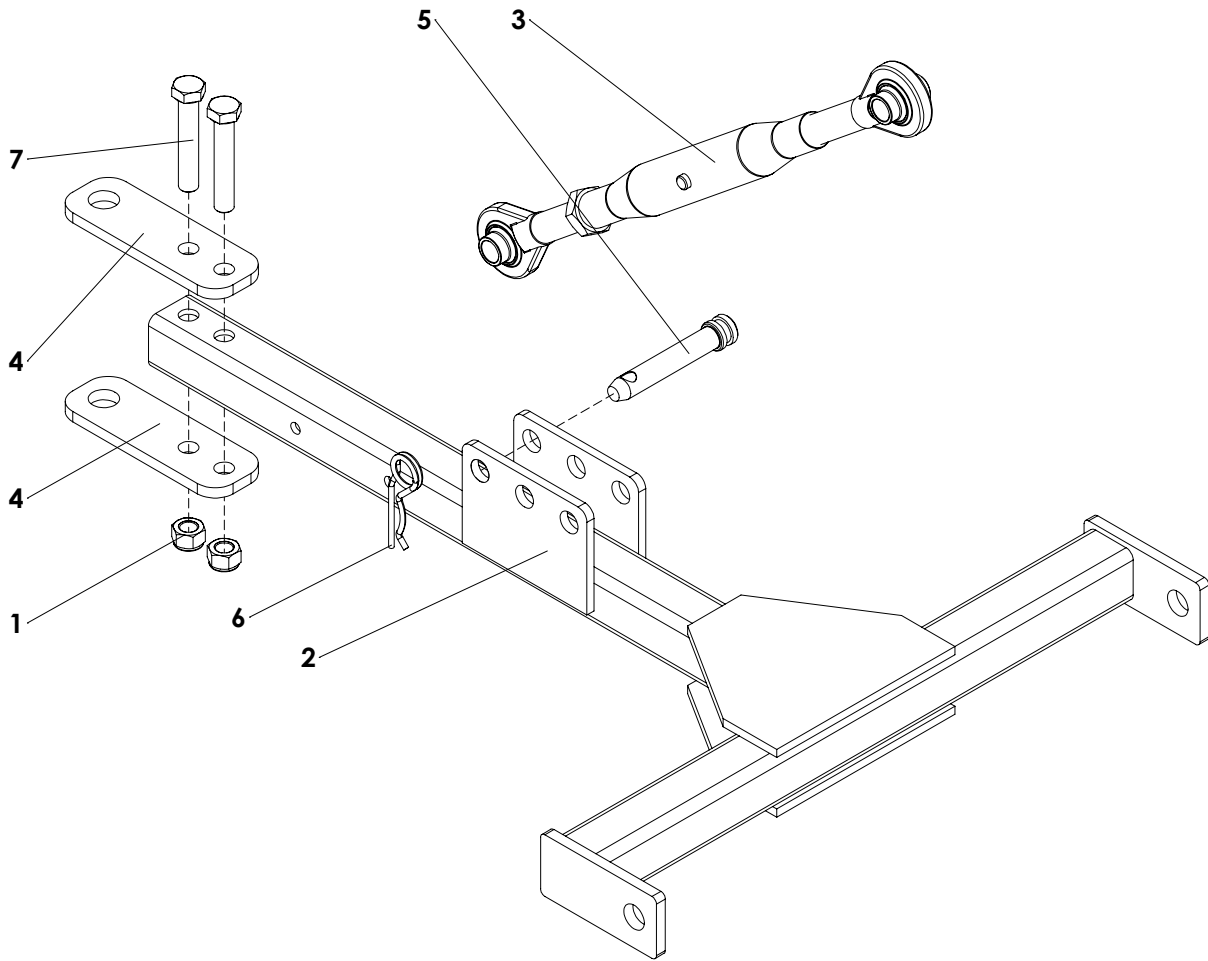
| ITEM | PART NUMBER | DESCRIPTION                   | REMARKS  | QUA |
|------|-------------|-------------------------------|----------|-----|
| 1    | 864.120.031 | Large washer M12 - DIN 9021   |          | 4   |
| 2    | 804.100.250 | Bolt M10 x 25 - ISO 4017      |          | 45  |
| 3    | 830.100.100 | Self Lock Nut M10 - ISO 10511 |          | 57  |
| 4    | 820.100.250 | MH Bolt M10 x 25 ISO 8677     |          | 12  |
| 5    | 470.069.200 | U-beam                        |          | 1   |
| 6    | 361.105.170 | Spring fine heavy duty        |          | 45  |
| 7    | 899.080.200 | Rope                          |          | 3   |
| 8    | 468.051.408 | L-bracket                     |          | 4   |
| 9    | 468.061.410 | L-Slide                       |          | 2   |
|      | 262.200.004 | Rake section                  | Optional |     |



Mount magnet bar on connection bar with 1 nut M16 above + 1 nut M16 below connection bar

| ITEM | PART NUMBER | DESCRIPTION                   | REMARKS  | QUA |
|------|-------------|-------------------------------|----------|-----|
| 1    | 826.160.160 | Nut M16 - DIN 934             |          | 8   |
| 2    | 864.120.030 | Washer M12 - ISO 7089         |          | 4   |
| 3    | 830.120.120 | Self Lock Nut M12 - ISO 10511 |          | 4   |
| 4    | 802.120.750 | Bolt M12 x 75 - ISO 4014      |          | 4   |
| 5    | 464.081.740 | Clamp strip                   |          | 2   |
| 6    | 464.051.740 | Clamp bracket                 |          | 2   |
| 7    | 490.162.320 | Spindle                       |          | 2   |
| 8    | 498.213.013 | Magnetic bar                  |          | 1   |
|      | 262.200.000 | Magnet bar                    | Optional |     |

Optional Drawbar



| ITEM | PART NUMBER | DESCRIPTION                            | REMARKS | QUA |
|------|-------------|--|---------|-----|
| 1    | 830.160.160 | Self Lock Nut M16-ISO 10511 Class 10   |         | 2   |
| 2    | 494.520.725 | Draw bar bogy Verti-Clean              |         | 1   |
| 3    | 522.194.200 | Toplink Cat. 1 L0=420 Stroke=220 M24x3 |         | 1   |
| 4    | 464.101.800 | Pull Eye Plate Bogy                    |         | 2   |
| 5    | 521.191.120 | Top Link Pin                           |         | 1   |
| 6    | 523.051.000 | R-clip Round 5, DIN 11024              |         | 1   |
| 7    | 802.160.900 | Bolt M16 x 90 - ISO 4014               |         | 2   |
|      | 262.200.002 | Drawbar Combi-Groom                    |         |     |