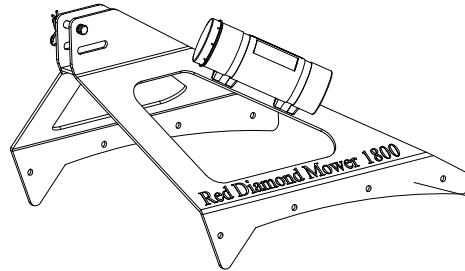
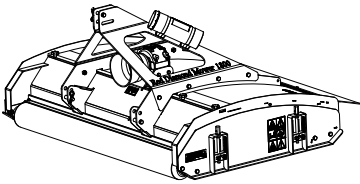
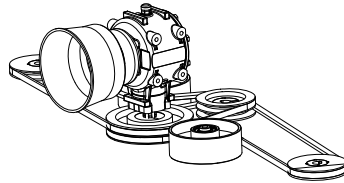


Parts manual

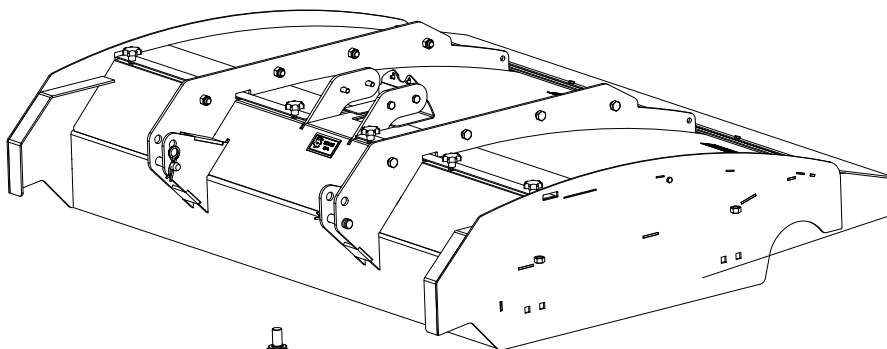




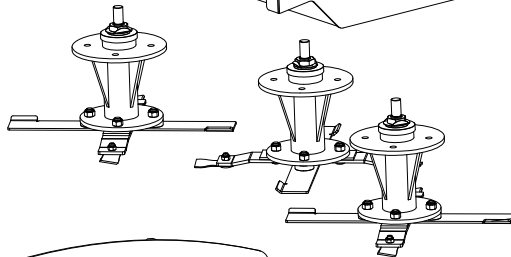
Page 02



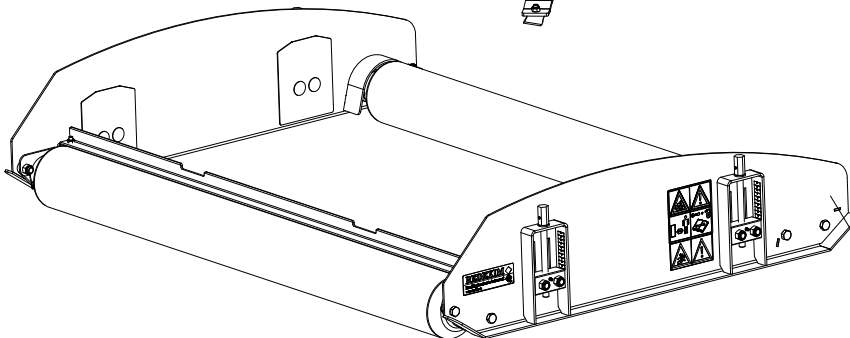
Page 04 & 05



Page 03

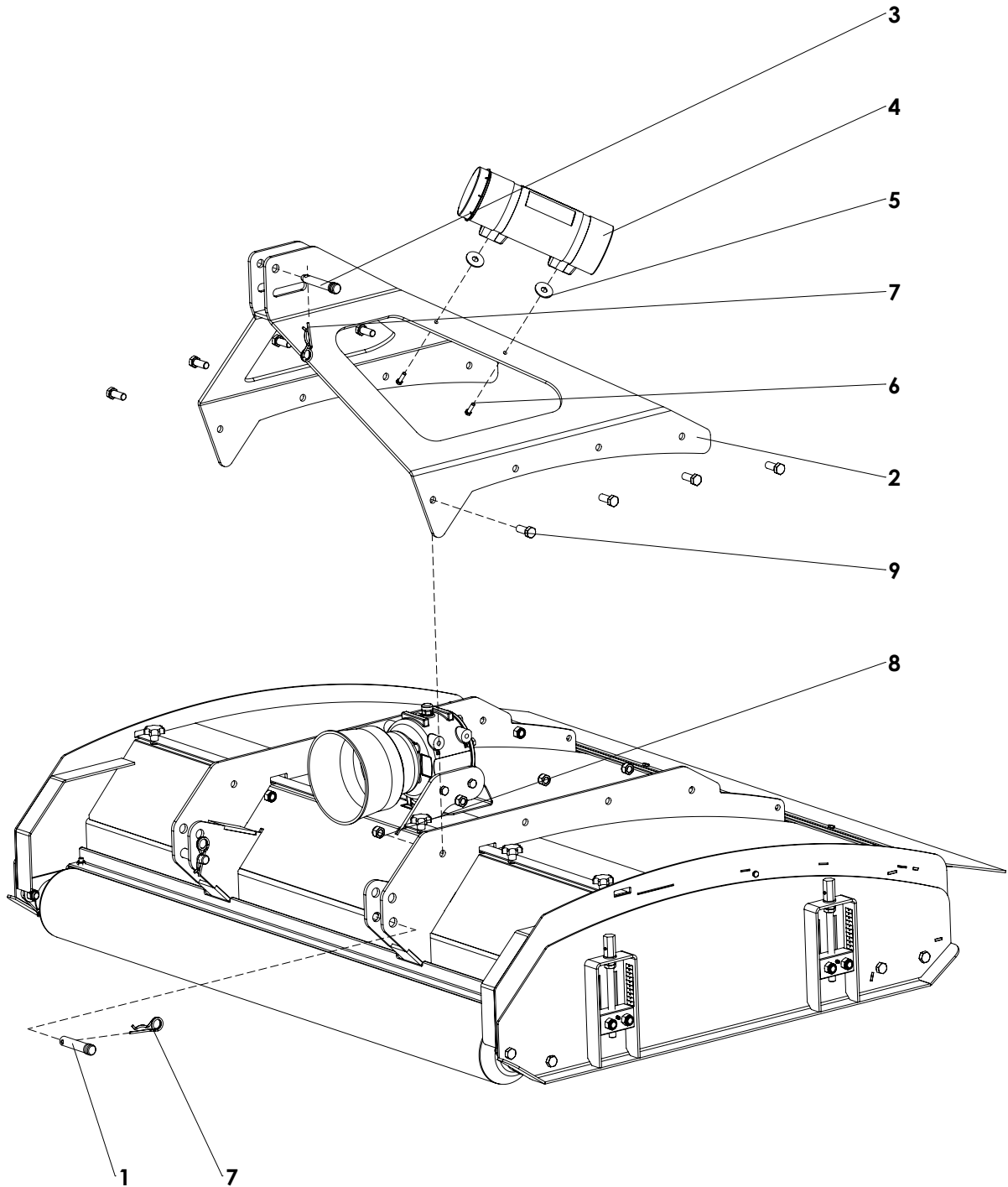
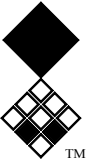


Page 06



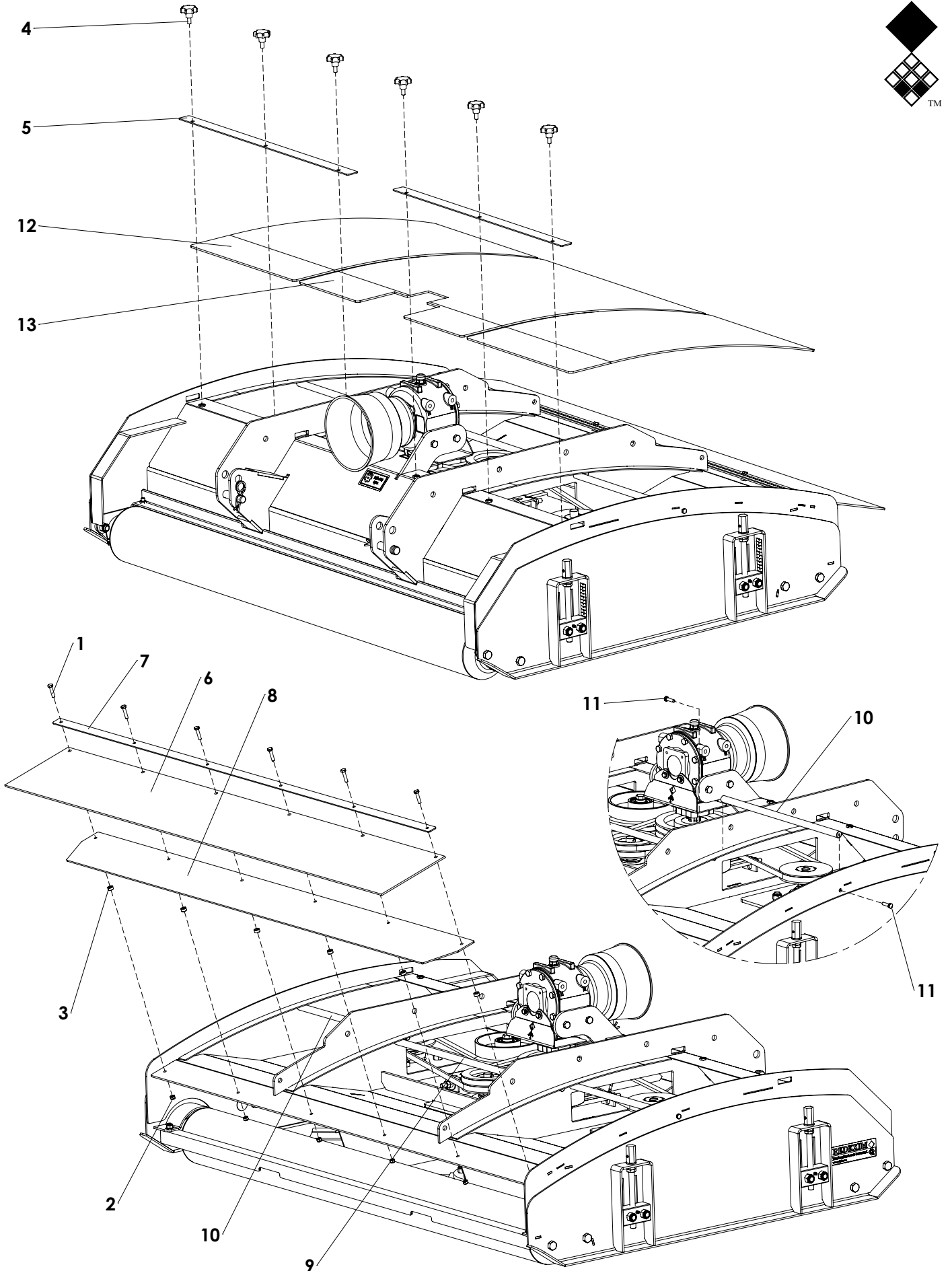
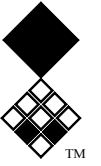
Page 07 & 08

Decalls Page 9
PTO Page 10

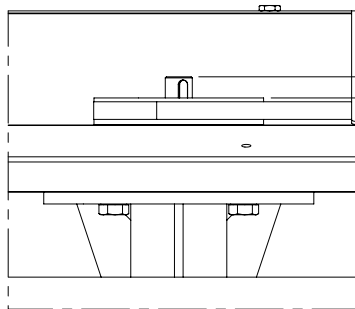
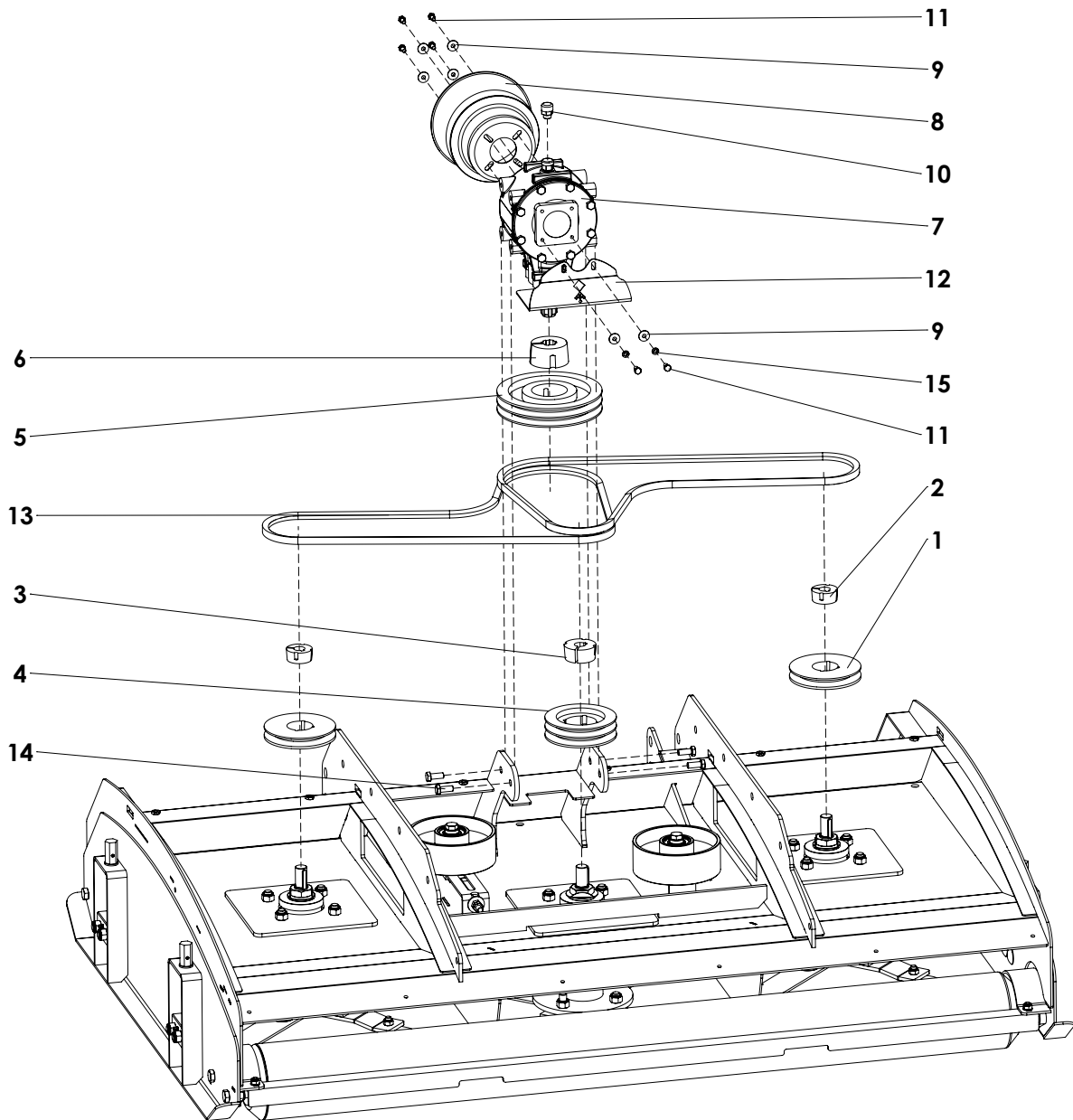


BOM Table(Restructured)

ITEM	PART NUMBER	DESCRIPTION	REMARKS	QUA
1	521.221.120	Pin for 3-point		2
2	470.089.106	3 point top part		1
3	521.191.120	Top Link Pin		1
4	444.803.100	Toolbox Complete		1
5	864.140.031	Large washer M14 - DIN 9021		2
6	804.080.300	Bolt M8 x 30 - ISO 4017		2
7	523.051.000	R-clip Round 5, DIN 11024		3
8	830.160.160	Self Lock Nut M16 - ISO 10511		8
9	804.160.400	Bolt M16 x 40 - ISO 4017		8

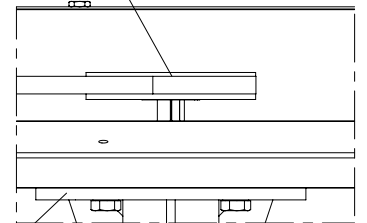


ITEM	PART NUMBER	DESCRIPTION	REMARKS	QUA
1	804.080.350	Bolt M8 x 35 - ISO 4017		6
2	830.080.080	Self Lock Nut M8 - ISO 10511		6
3	406.080.082	Distance bush Ø8.5/Ø16 h=8		6
4	836.100.520	Knurled knob M10x20		6
5	464.035.130	Cover strip top side		2
6	446.069.180	Rubber flap		1
7	464.039.180	Connection strip rubber flap		1
8	468.039.180	Reinforcement plate		1
9	472.207.900	Reinforcement bar middle		1
10	472.205.100	Reinforcement bar side		2
11	804.080.300	Bolt M8 x 30 - ISO 4017		6
12	444.049.212	Side cover Mower 1800		2
13	444.049.210	Center cover Mower 1800		1

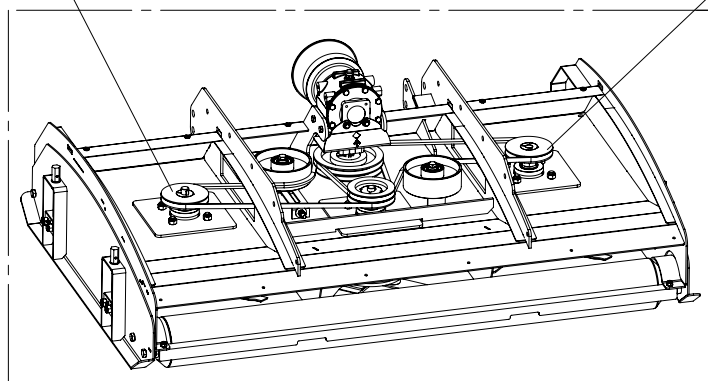


19.6 mm (0.77")
Mounting height

Top pulley equal
with top shaft

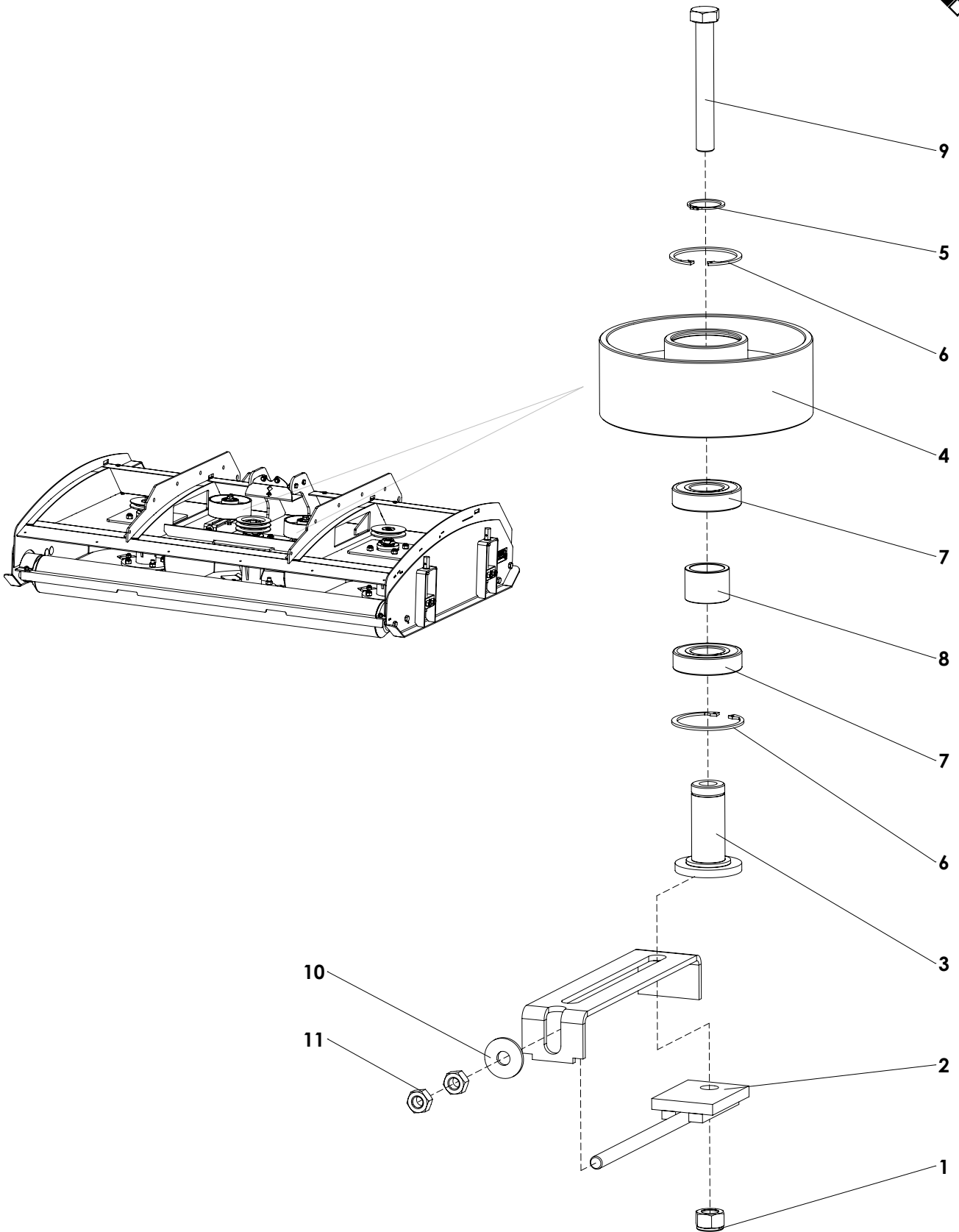
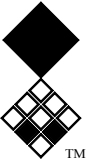


Assembled

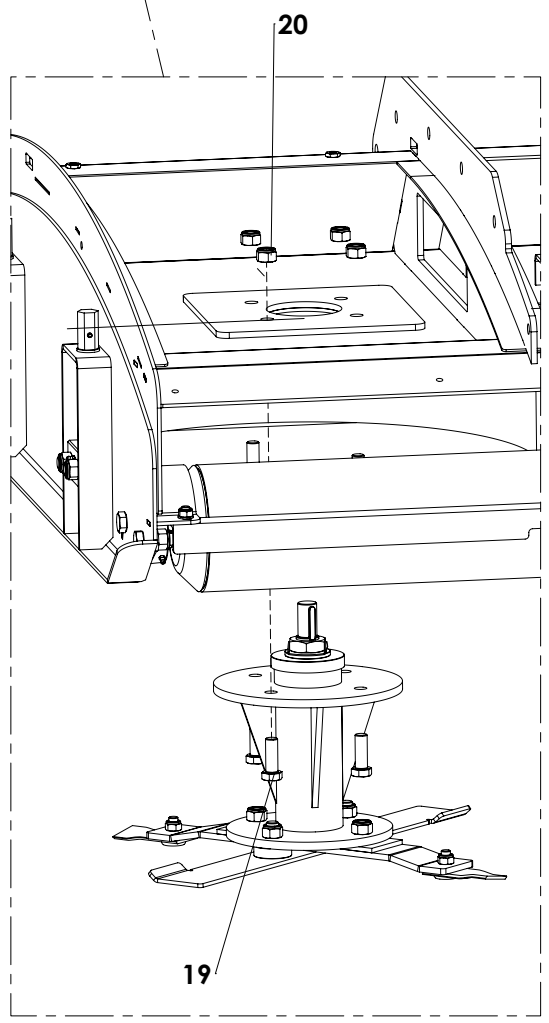
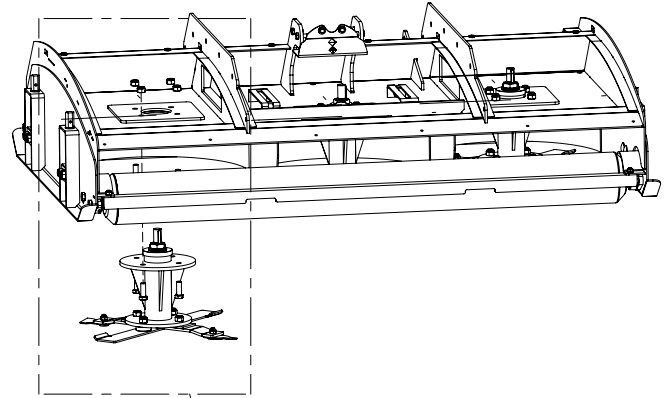
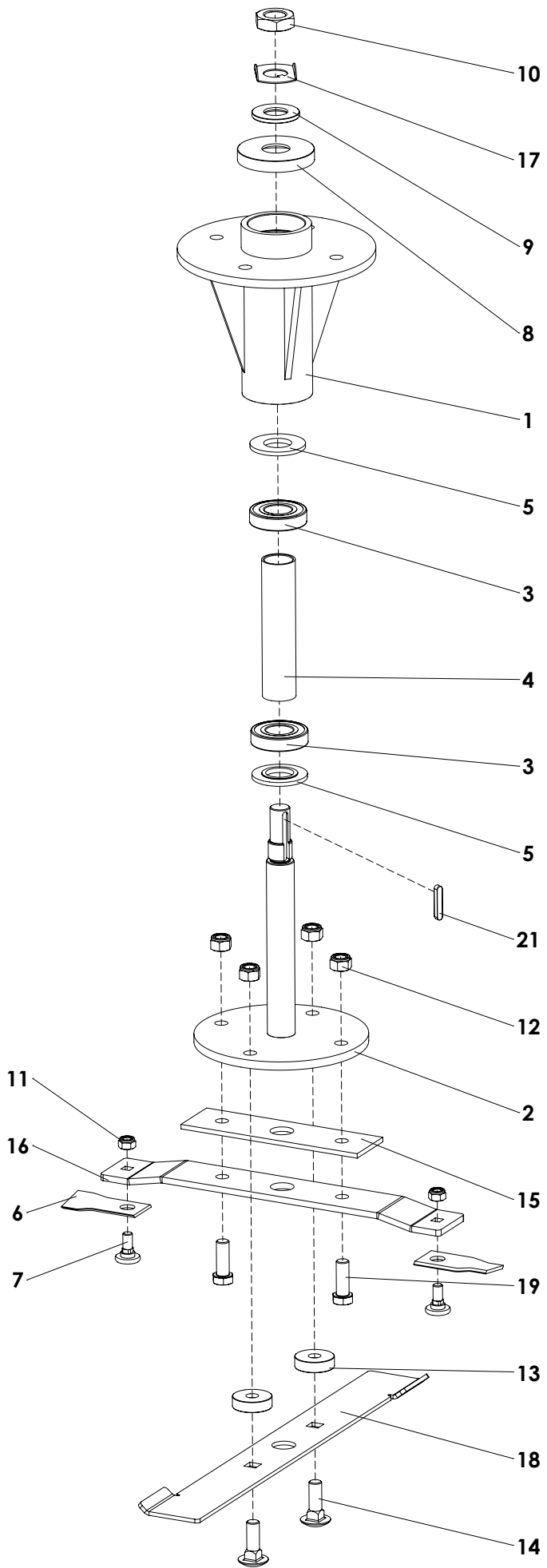
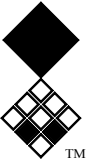


BOM Table(Restructured)

ITEM	PART NUMBER	DESCRIPTION	REMARKS	QUA
1	646.021.501	Pulley SPB 150-1 T1610		2
2	648.251.610	Taperlock 1610 - 25mm		2
3	648.252.012	Taperlock 2012 - 25mm		1
4	646.021.502	Pulley SPB 150-2 T2012		1
5	646.022.242	Pulley SPB 224-2 T2517		1
6	648.342.517	Taperlock 2517 - 1-3/8" Z6		1
7	622.155.240	Comer L Gearbox T-304A 1:3	Oil 1.1L GL-5 80W90	1
8	629.210.190	PTO Cover Comer		1
9	864.080.024	Large washer M8 - DIN 9021		6
10	537.380.360	Breather 3/8" BSP		1
11	804.080.160	Bolt M8 x 16 - ISO 4017		6
12	468.032.304	Cover		1
13	642.162.120	V-Belt XPB L=2120		2
14	804.120.300	Bolt M12 x 30 - ISO 4017		4
15	866.080.020	Spring Washer M8 - DIN 127		2



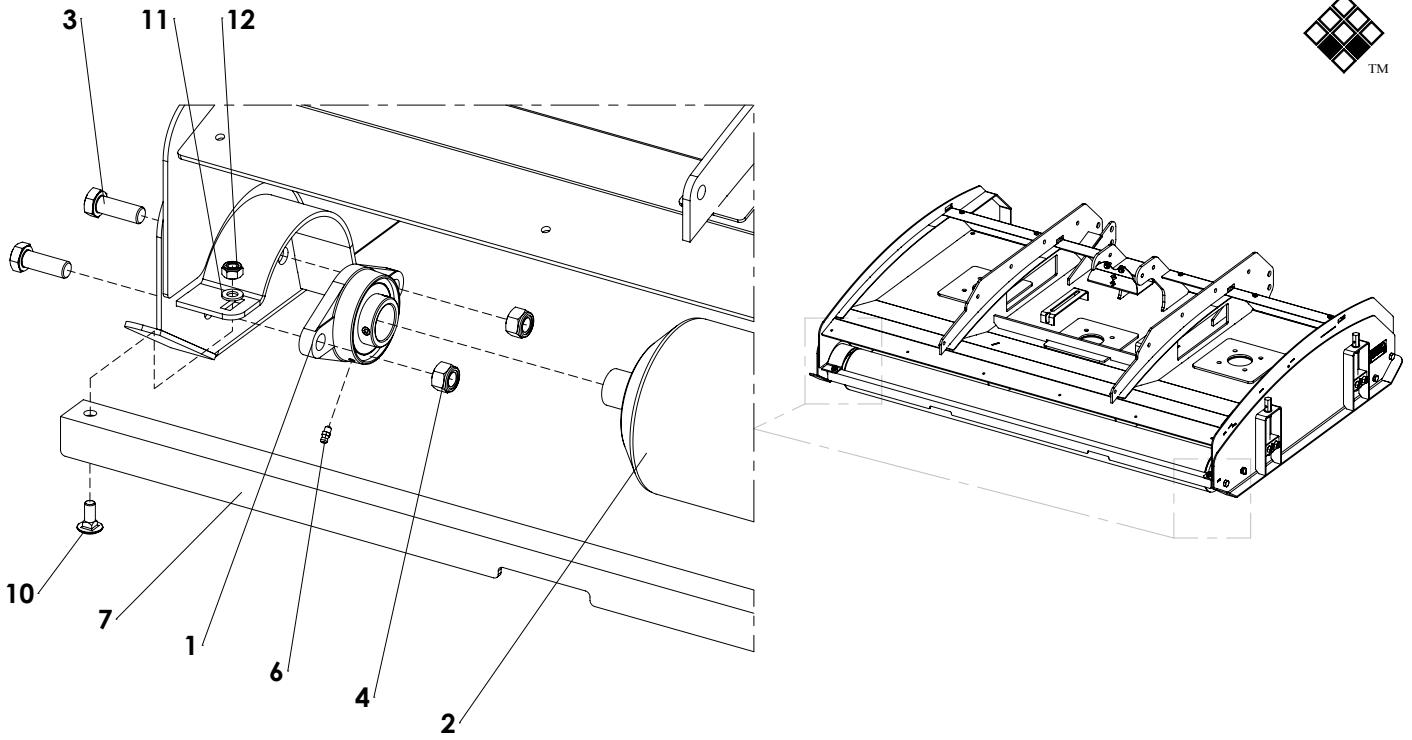
ITEM	PART NUMBER	DESCRIPTION	REMARKS	QUA
1	830.160.160	Self Lock Nut M16 - ISO 10511	Qua per machine	2
2	474.122.700	Spanner	Qua per machine	2
3	424.300.760	Shaft tensioner	Qua per machine	2
4	428.702.000	Idler	Qua per machine	2
5	870.030.160	Circlip d=30 - DIN 471	Qua per machine	2
6	872.062.200	Circlip DIN 472 - 62x2	Qua per machine	4
7	713.300.160	Bearing DIN 6206 2RS	Qua per machine	4
8	406.310.290	Distance bush Ø40/Ø31 L=28.7	Qua per machine	2
9	802.161.200	Bolt M16 x 120 - ISO 4014	Qua per machine	2
10	864.120.031	Large washer M12 - DIN 9021	Qua per machine	2
11	826.120.120	Nut M12 - DIN 934	Qua per machine	4



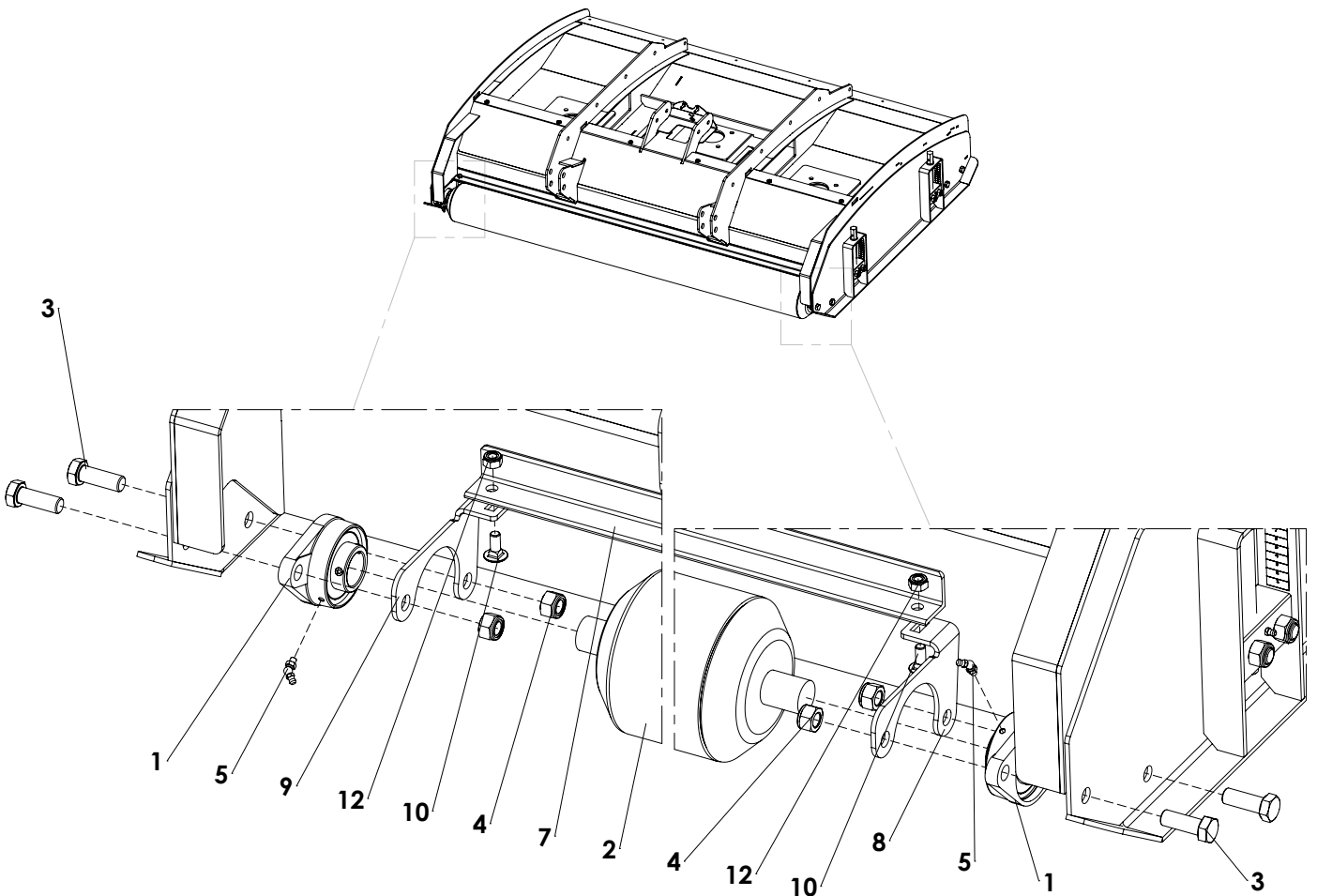
BOM Table (Restructured)

ITEM	PART NUMBER	DESCRIPTION	REMARKS	QUA
1	478.250.234	Bearing housing	Quantity in machine	3
2	474.353.290	Axle	Quantity in machine	3
3	713.350.172	Bearing 6207-2RS-C3	Quantity in machine	6
4	406.361.890	Distance bush Ø42.4 L=182	Quantity in machine	3
5	406.360.060	Ring Ø70/Ø35.5 L=6	Quantity in machine	6
6	351.303.100	Knife	Quantity in machine	6
7	824.120.310	Knife bolt M12 L=30.5	Quantity in machine	6
8	472.960.150	Bearing cap	Quantity in machine	3
9	406.310.062	Ring Ø60/Ø30.5 L=5.5	Quantity in machine	3
10	844.300.120	Low Nut M30x2 - DIN 439B	Quantity in machine	3
11	830.120.120	Self Lock Nut M12 - ISO 10511	Quantity in machine	6
12	830.160.160	Self Lock Nut M16 - ISO 10511	Quantity in machine	12
13	406.160.140	Bush Ø50/Ø16.2 L=14	Quantity in machine	6
14	820.160.500	MH Bolt M16 x 50 ISO 8677	Quantity in machine	6
15	464.062.502	Connection plate	Quantity in machine	1
16	464.085.210	Knife connector strip	Quantity in machine	1
17	468.020.902	Lock ring	Quantity in machine	1
18	468.056.060	Wing blade	Quantity in machine	1
19	804.160.450	Bolt M16 x 45 - ISO 4017	Quantity in machine	18
20	830.160.160	Self Lock Nut M16 - ISO 10511	Quantity in machine	12
21	884.080.450	Key 8x7x45 - DIN 6885	Quantity in machine	3

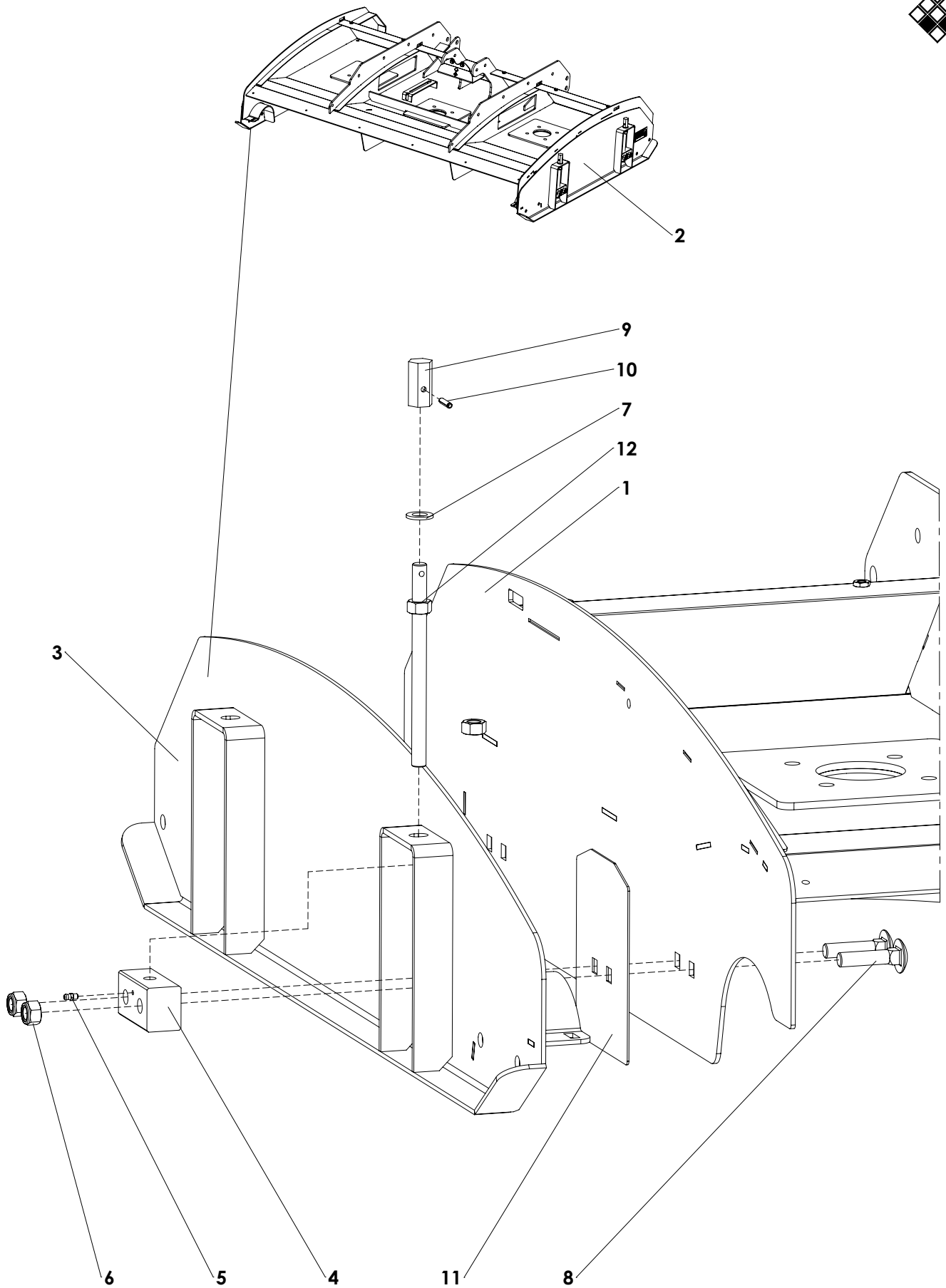
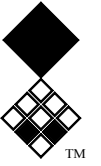
Rear Roller



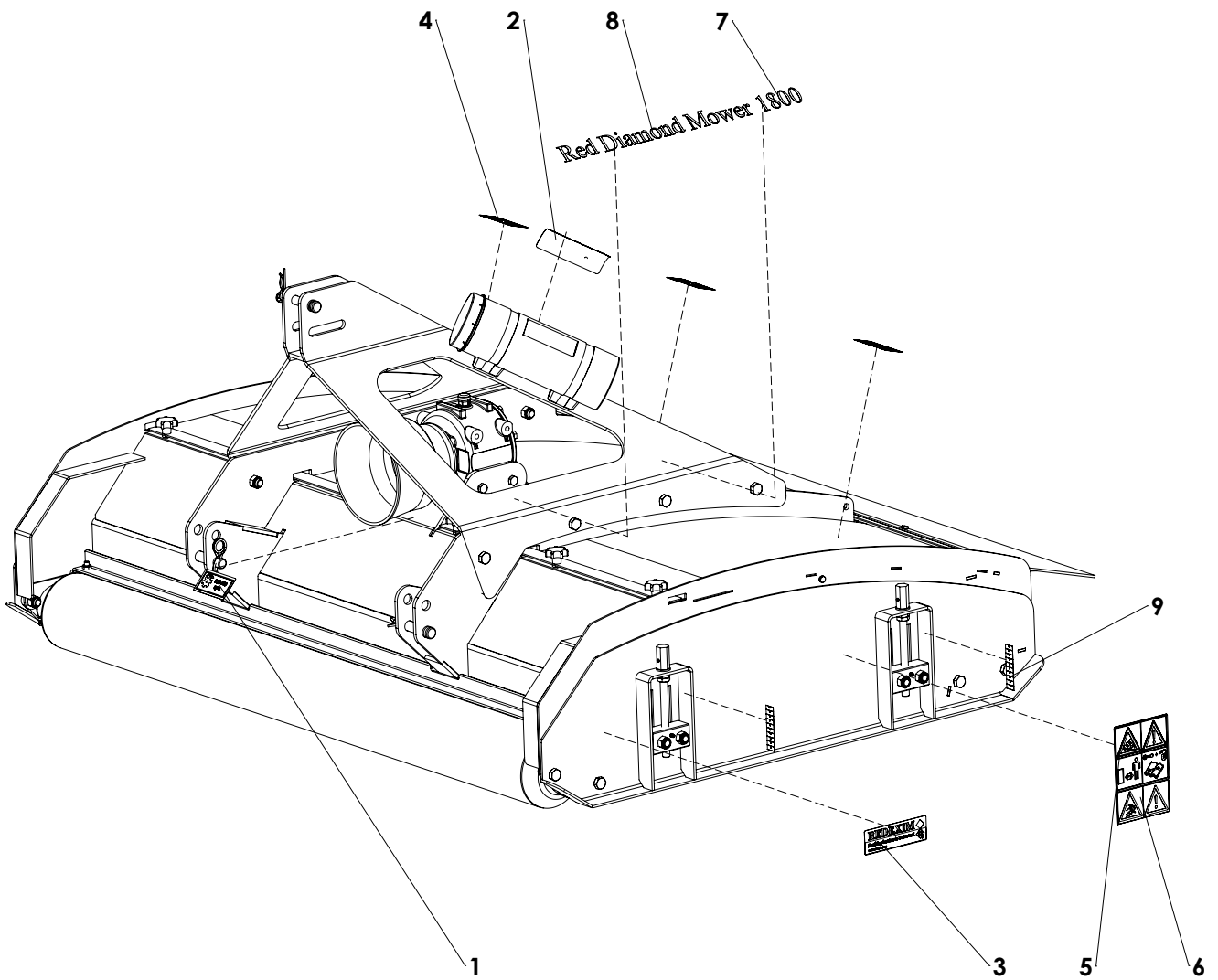
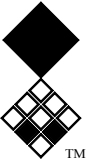
Front roller



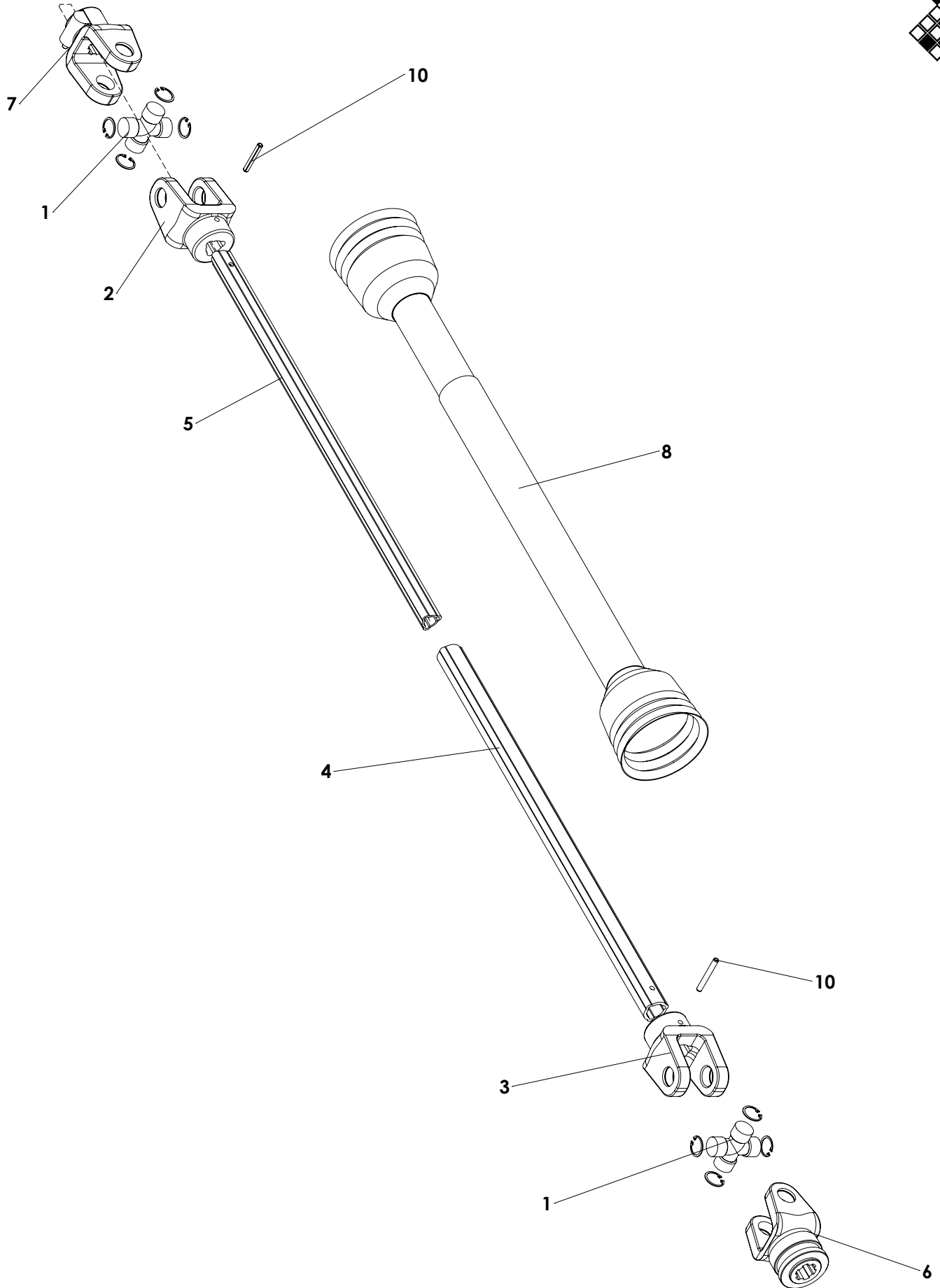
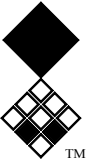
ITEM	PART NUMBER	DESCRIPTION	REMARKS	QUA
1	742.350.450	Bearing UCFL 207		4
2	488.168.177	Roller Ø168.3 L=1746		2
3	804.160.450	Bolt M16 x 45 - ISO 4017		8
4	830.160.160	Self Lock Nut M16 - ISO 10511		8
5	880.060.104	Grease nipple M6 45deg. DIN 71412B		2
6	880.060.100	Grease nipple M6 DIN 71412A		2
7	492.919.040	Scraper		2
8	468.051.640	Scraper connection plate right version		1
9	468.051.642	Scraper connection plate left version		1
10	820.100.250	MH Bolt M10 x 25 ISO 8677		4
11	864.100.030	Washer M10 - ISO 7089		2
12	830.100.100	Self Lock Nut M10 - ISO 10511		4



ITEM	PART NUMBER	DESCRIPTION	REMARKS	QUA
1	494.919.913	Frame Mower 1800		1
2	470.059.140	Side plate right version		1
3	470.059.142	Side plate left version		1
4	472.501.000	Height adjustment block		4
5	880.060.100	Grease nipple M6 DIN 71412A		4
6	830.160.160	Self Lock Nut M16 - ISO 10511		8
7	864.160.030	Washer M16 - ISO 7089		4
8	820.160.700	MH Bolt M16 x 70 ISO 8677		8
9	474.240.500	Spindle Nut		4
10	878.060.300	Roll Pin 6 x 30 - ISO 8752		4
11	468.022.200	Distance plate		4
12	852.162.302	Spindle		4



ITEM	PART NUMBER	DESCRIPTION	REMARKS	QUA
1	900.260.422	Decall PTO 350 540		1
2	900.280.402	Safety decall manual		1
3	900.260.403	Logo Label		2
4	955.280.000	No step decall		3
5	921.280.402	Safety decall VS		2
6	933.280.402	Safety decall Rink Verti-Top		2
7	941.260.406	Label 1800		2
8	955.260.000	Label Mower		2
9	900.260.414	Decall Ruler		4



ITEM	PART NUMBER	DESCRIPTION	REMARKS	QUA
1	180014130	Cross and 4x circlip kit		2
2	151014007	Inner tube yoke type 40		1
3	141024263	Outer tube yoke type 40		1
4	1521402110700	T40-series Outer tube L=765mm		1
5	153140111	T40-series Inner tube L=780		1
6	141024430	Complete collar yoke type 40		1
7	141024001	Push pin yoke type 40		1
8	1422402119430	Complete guard 40-series		1
9	872.030.120	Circlip D=30 - DIN 472		8
10	190000014	Roll Pin 8 x 65		2
	613.809.100	PTO complete T40 push pin		