

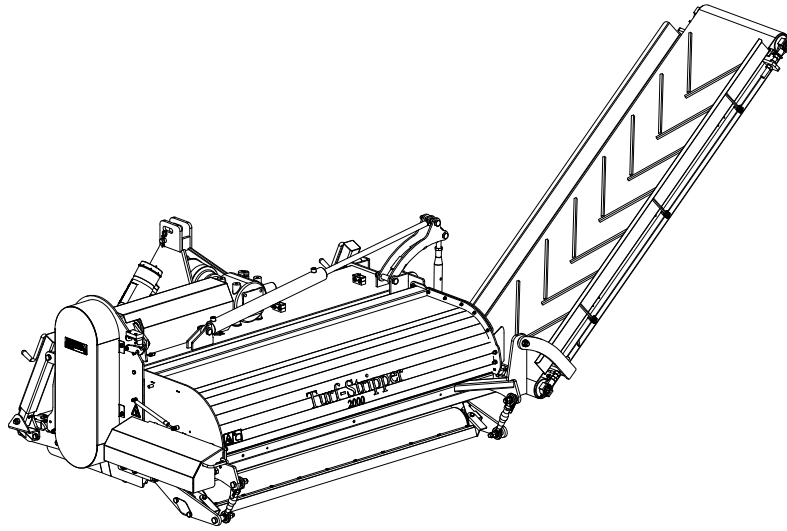
Turf-Stripper 2000



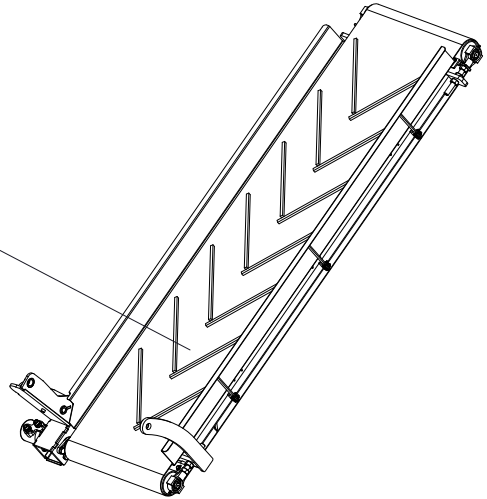
Version: 2202



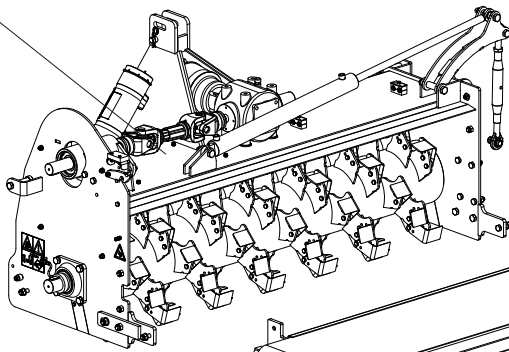
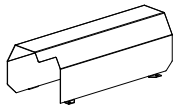
Kwekerijweg 8 | 3709JA | Zeist | The Netherlands |
T: +31 (0)306 933 227
E: redexim@redexim.com
W: www.redexim.com



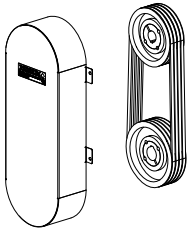
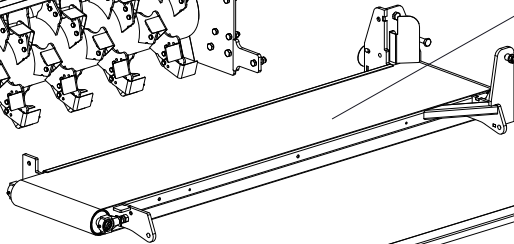
Page 10



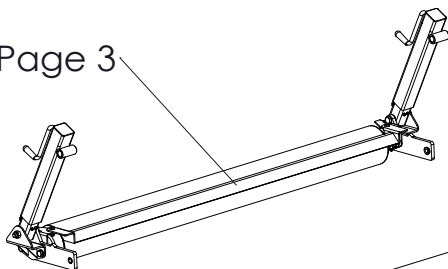
Page 5 - 8



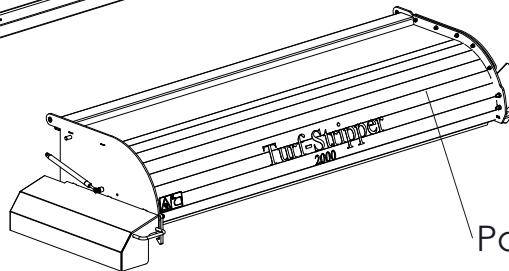
Page 9



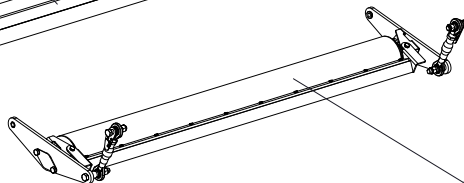
Page 3



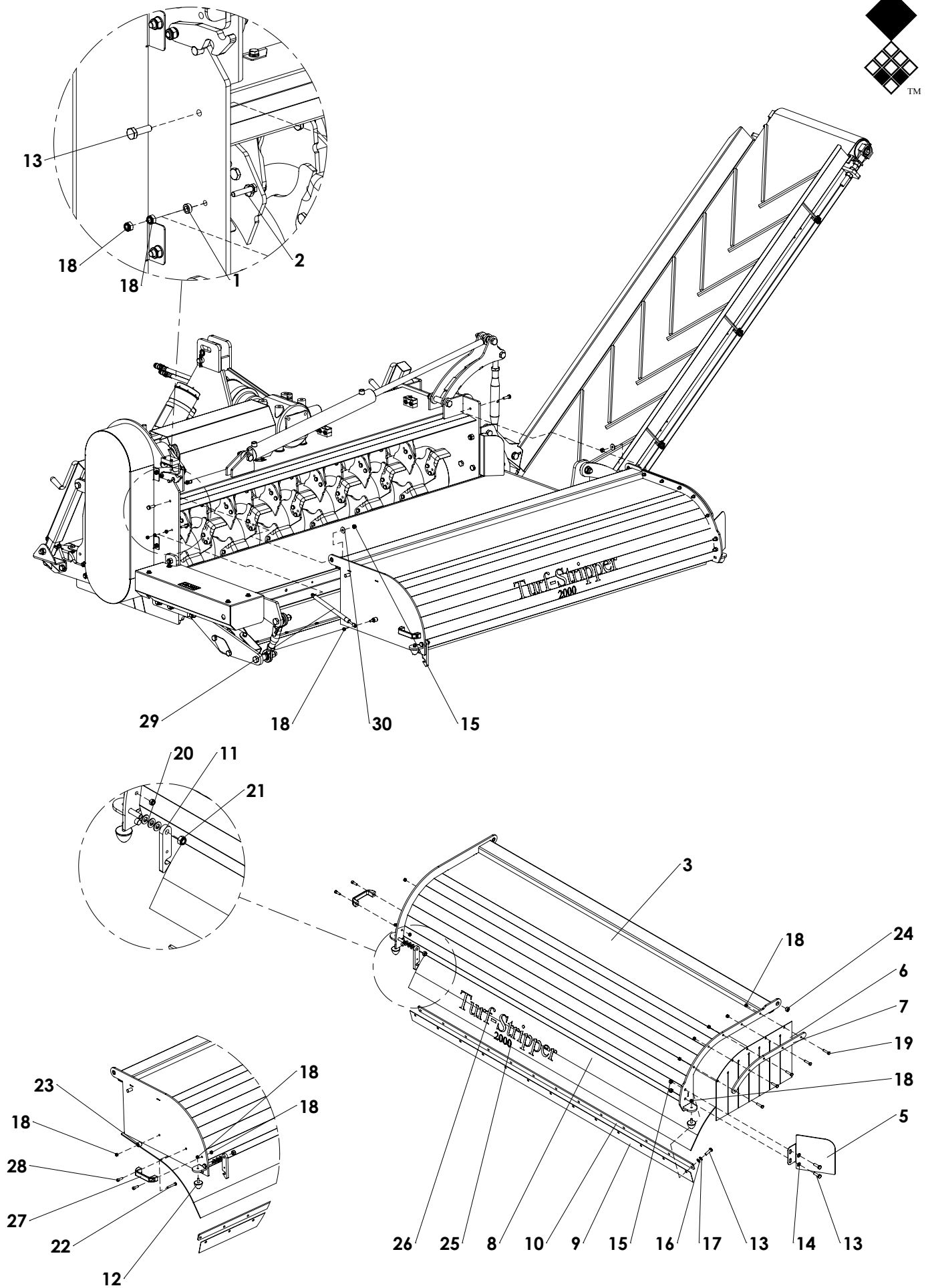
Page 2



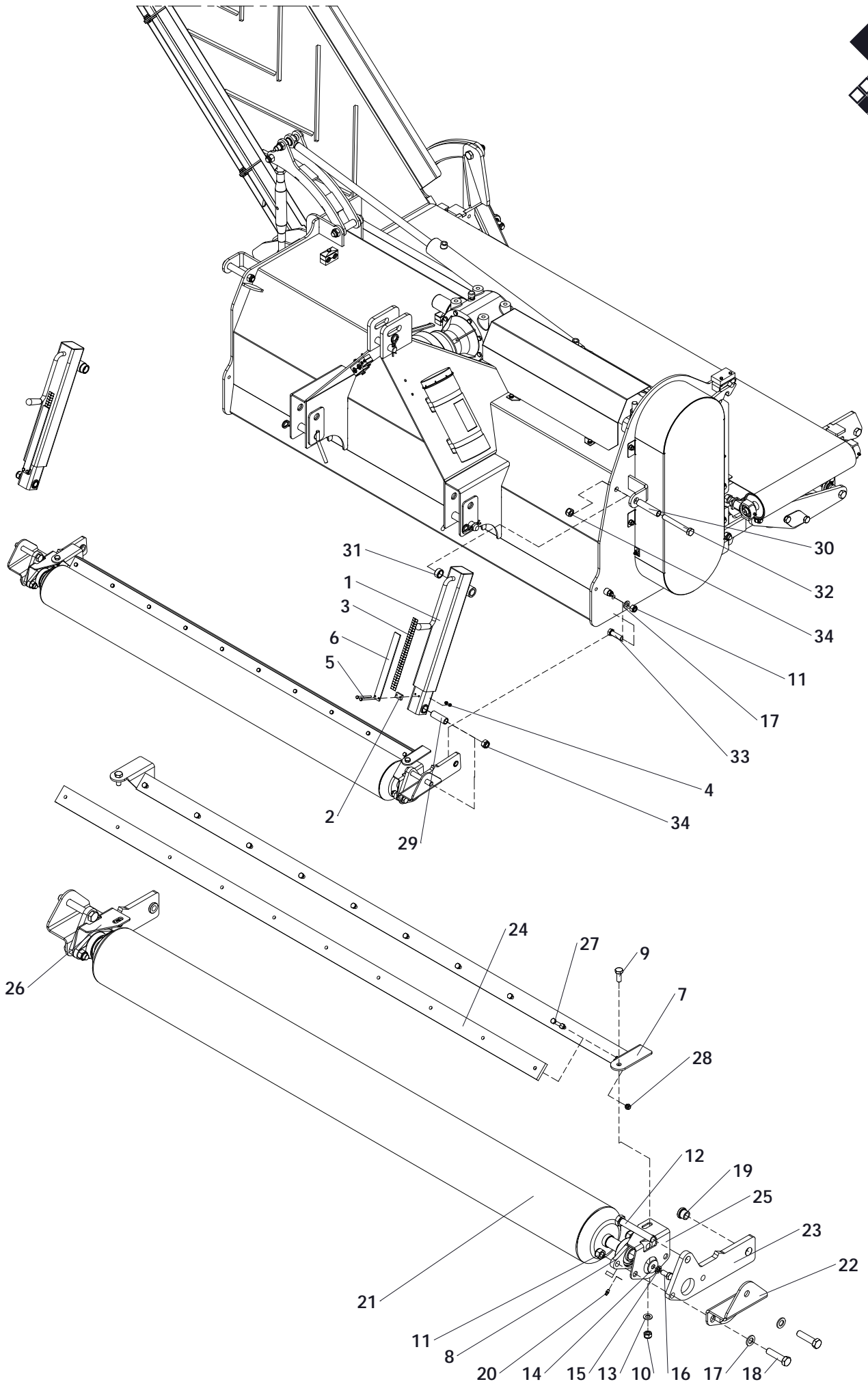
Page 4



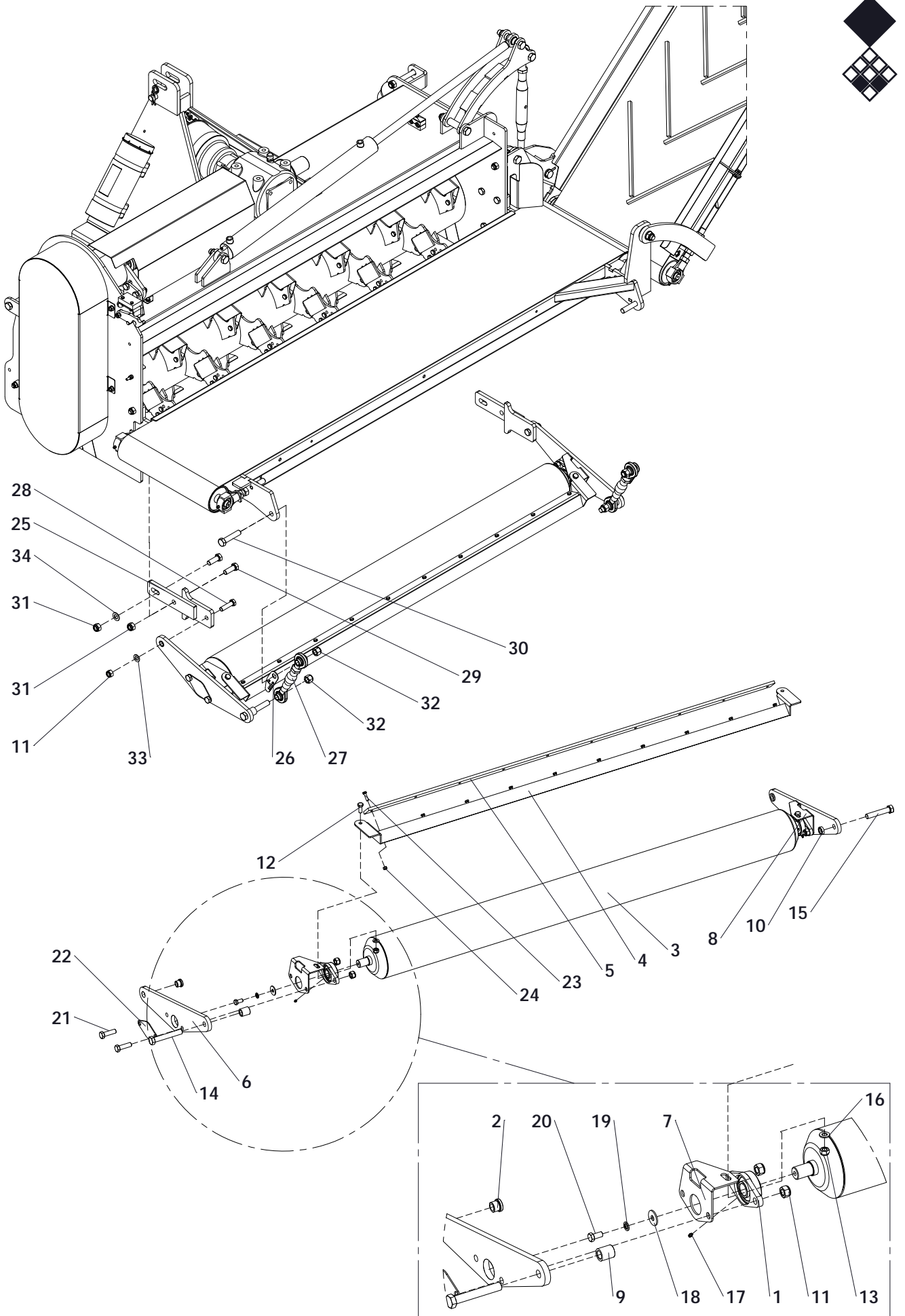
Decalls Page 11
Hydraulics Page 12 - 13
PTO Page 14



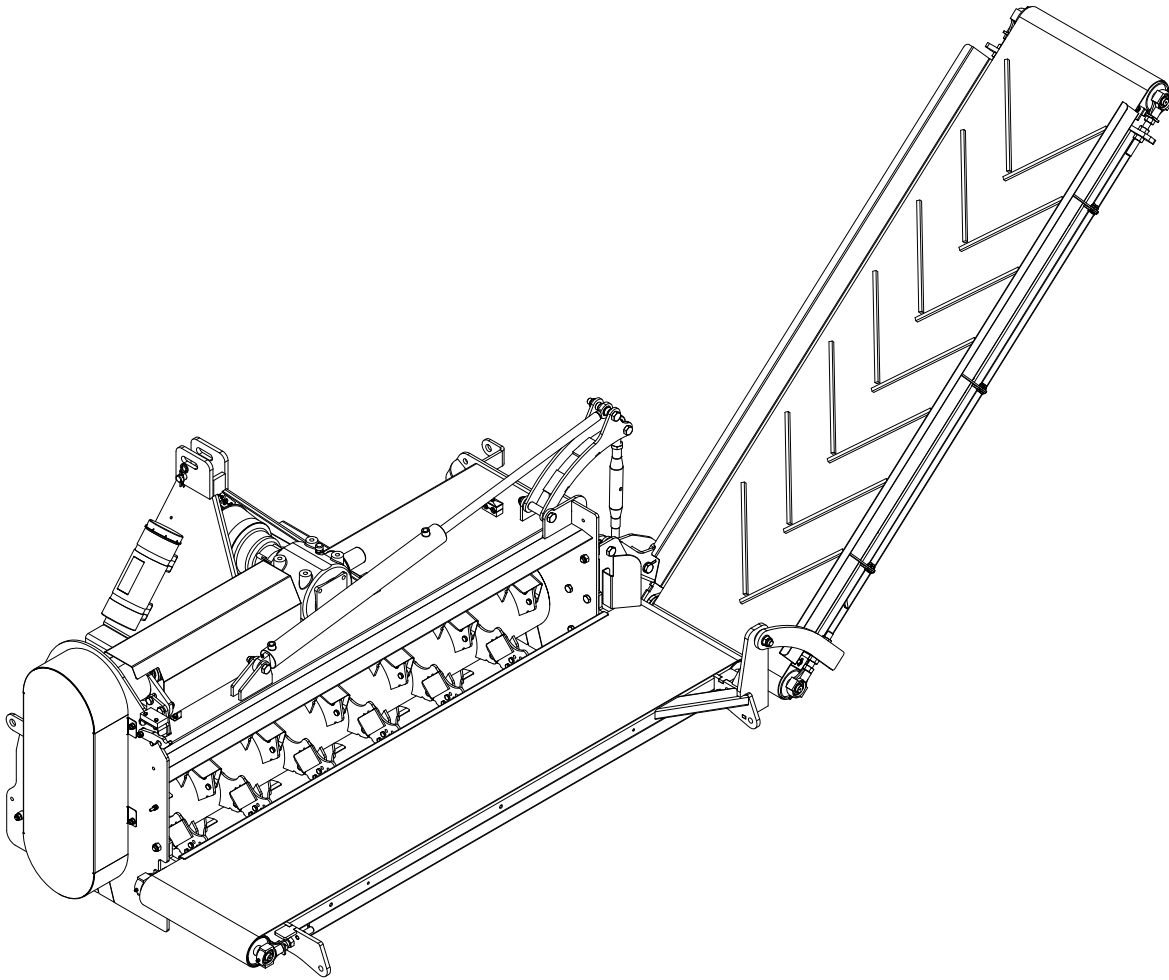
ITEM	PART NUMBER	DESCRIPTION	REMARKS	QUA
1	406.080.062	Distance bush Ø15/Ø8.5 L=6		1
2	804.100.400	Bolt M8 x 40 - ISO 4017		1
3	494.222.070	Rear cover	From SN H215011	1
	494.227.070	Rear cover	Till SN H21501	1
5	468.032.050	Material divider		1
6	446.055.290	Gate rubber		1
7	468.085.150	Clamp strip		1
8	444.059.200	Guide plate		1
9	446.049.192	Close rubber		1
10	464.069.190	Clamp strip		1
11	464.101.330	Safety hook		1
12	446.800.550	Rubber stop		2
13	804.100.350	Bolt M10 x 35 - ISO 4017		16
14	864.100.030	Washer M10 - ISO 7089		2
15	830.100.100	Self Lock Nut M10 - ISO 10511		4
16	864.100.030	Washer M10 - ISO 7089		13
17	866.100.020	Spring Washer M10 - DIN 127		13
18	830.080.080	Self Lock Nut M8 - ISO 10511		12
19	804.080.350	Bolt M8 x 35 - ISO 4017		5
20	864.120.030	Washer M12 - ISO 7089		3
21	830.120.120	Self Lock Nut M12 - ISO 10511		1
22	802.080.500	Bolt M8 x 50 - ISO 4014		1
23	402.080.180	Bush Ø20xØ9x18		1
24	402.110.100	Pivot bush Ø20/Ø10.5 L=10		2
25	913.260.414	Label 2000		1
26	953.260.200	Decall Turf-Stripper		1
27	444.151.250	Handle		1
28	814.080.251	Bolt M8 x 25 - DIN 912		2
29	571.153.910	Gas strut L525.5-800N		1
30	864.100.031	Large washer M10 - DIN 9021		2



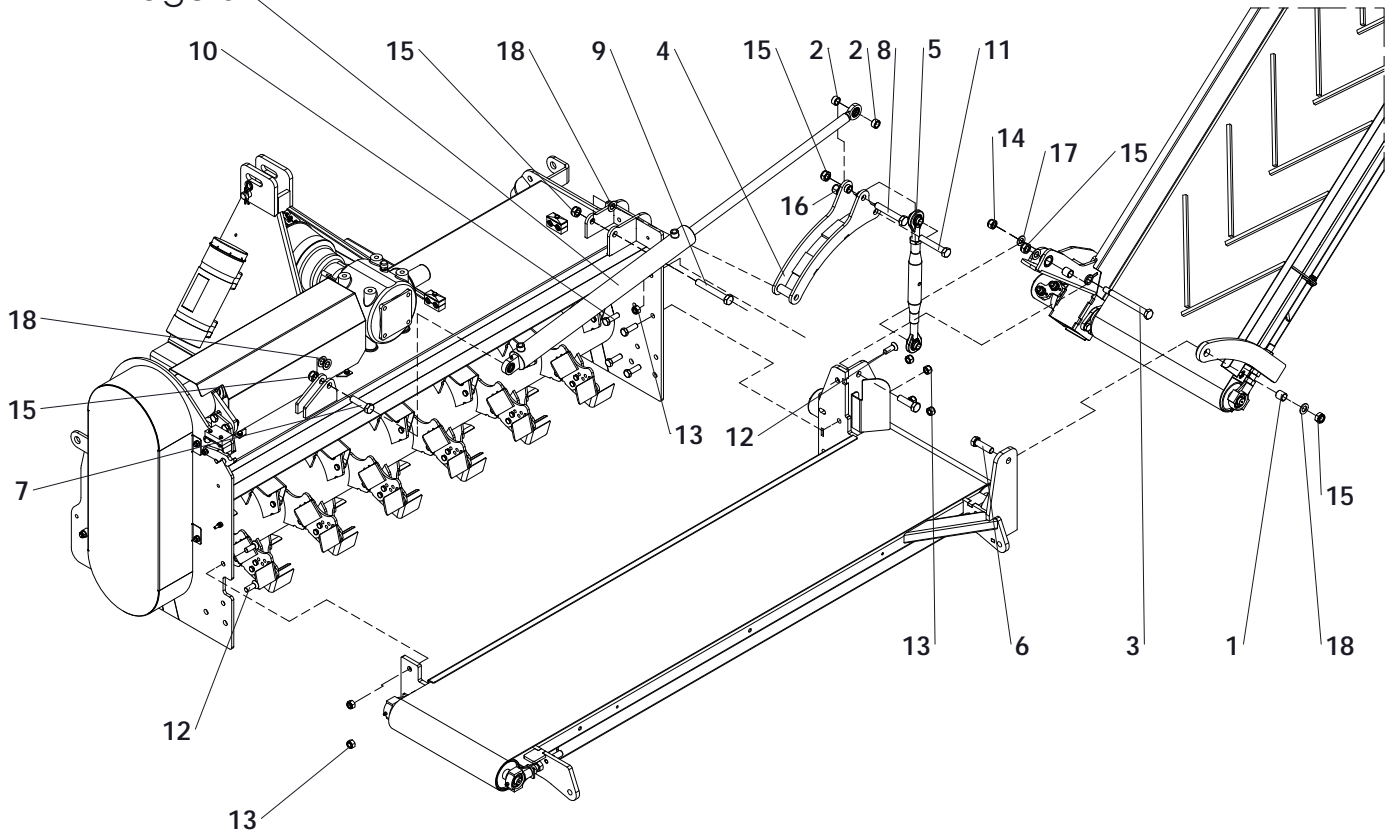
ITEM	PART NUMBER	DESCRIPTION	REMARKS	QUA
1	460.705.650	Jack TS2000		2
2	464.080.300	Distance Block		2
3	900.260.414	Decall Ruler		2
4	830.060.060	Self Lock Nut M6 - ISO 10511		4
5	802.060.800	Bolt M6 x 80 - ISO 4014		4
6	464.042.800	Height Indicator Strip, L= 280		1
7	494.196.013	Scraper TS2000		1
8	742.300.400	Bearing UCFL206		2
9	804.120.300	Bolt M12 x 30 - ISO 4017		2
10	830.120.120	Self Lock Nut M12 - ISO 10511		2
11	830.160.160	Self Lock Nut M16 - ISO 10511		6
12	802.181.200	Bolt M18 x 120 - ISO 4014		2
13	864.120.030	Washer M12 - ISO 7089		2
14	864.120.031	Large washer M12 - DIN 9021		2
15	866.120.020	Spring Washer M12 - DIN 127		2
16	804.120.250	Bolt M12 x 25 - ISO 4017		2
17	864.160.030	Washer M16 - ISO 7089		6
18	802.160.650	Bolt M16 x 65 - ISO 4014		4
19	404.160.210	Pivot bush		2
20	880.060.100	Grease nipple M6 DIN 71412A		2
21	488.168.200	Roller Turf stripper 2000		1
22	470.061.570	Support bracket		2
23	468.153.304	Strip front roller		2
24	444.109.190	Scraper strip		1
25	468.041.480	Scraper back left		1
26	468.041.482	Scraper back right		1
27	804.080.300	Bolt M8 x 30 - ISO 4017		10
28	830.080.080	Self Lock Nut M8 - ISO 10511		10
29	406.190.720	Distance bush D25/D19 L=72		2
30	406.191.100	Distance bush Ø25/Ø18.5 L=110		2
31	406.260.160	Distance bush Ø35/Ø25.5 L=16		2
32	802.181.400	Bolt M18 x 140 - ISO 4014		2
33	804.160.550	Bolt M16 x 55 - ISO 4017		2
34	830.180.180	Self Lock Nut M18 - ISO 10511		4



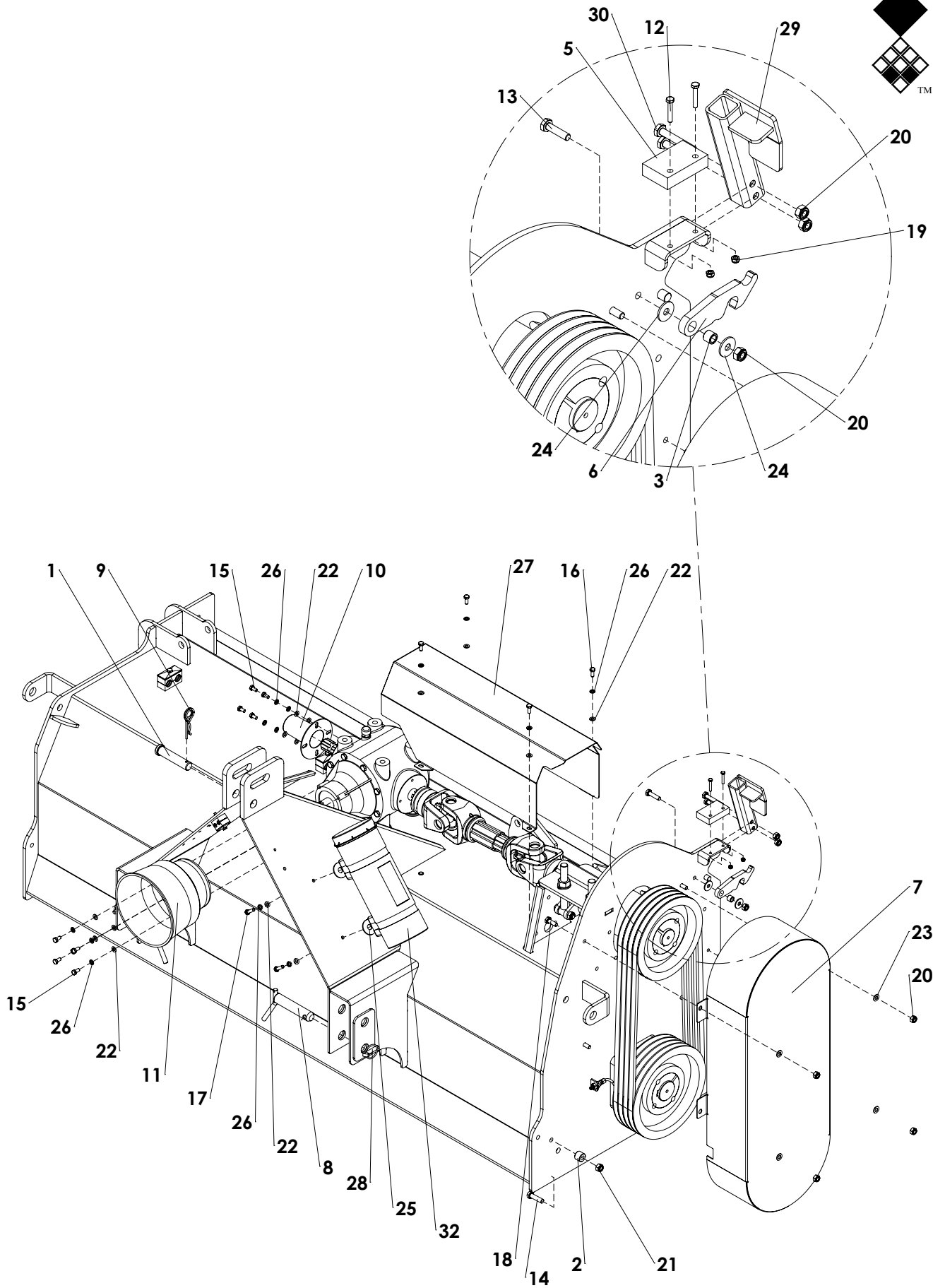
ITEM	PART NUMBER	DESCRIPTION	REMARKS	QUA
1	742.300.400	Bearing UCFL206		2
2	404.160.210	Pivot bush		2
3	488.168.200	Roller Turf stripper 2000		1
4	494.196.013	Scraper TS2000		1
5	444.109.190	Scraper strip		1
6	468.155.350	Strip back roller		2
7	468.041.480	Scraper back left		1
8	468.041.482	Scraper back right		1
9	402.200.340	Distance bush Ø30/Ø19.5 L=34		1
10	402.200.090	Distance bush Ø30/Ø19.5 L=9		1
11	830.160.160	Self Lock Nut M16 - ISO 10511		6
12	804.120.300	Bolt M12 x 30 - ISO 4017		2
13	830.120.120	Self Lock Nut M12 - ISO 10511		2
14	808.191.270	Hex Bolt 0.75"-16x5" UNF - ANSI B18.2.1		1
15	808.191.000	Hex Bolt 0.75"-16x4" UNF - ANSI B18.2.1		1
16	864.120.030	Washer M12 - ISO 7089		2
17	880.060.100	Grease nipple M6 DIN 71412A		2
18	864.120.031	Large washer M12 - DIN 9021		2
19	866.120.020	Spring Washer M12 - DIN 127		2
20	804.120.250	Bolt M12 x 25 - ISO 4017		2
21	804.160.550	Bolt M16 x 55 - ISO 4017		4
22	468.031.420	Cover plate		2
23	804.080.300	Bolt M8 x 30 - ISO 4017		10
24	830.080.080	Self Lock Nut M8 - ISO 10511		10
25	466.153.050	Pivot Support		2
26	468.031.172	Depth adjustment gauge		2
27	522.242.150	Toplink CAT1 215-300mm		2
28	804.160.600	Bolt M16 x 60 - ISO 4017		2
29	804.180.500	Bolt M18 x 50 - ISO 4017		4
30	808.190.890	Hex Bolt 3/4-16 L=3.5 UNF		2
31	830.180.180	Self Lock Nut M18 - ISO 10511		4
32	840.190.230	SL Nut 3/4"-16 UNF		4
33	864.160.030	Washer M16 - ISO 7089		2
34	864.180.030	Washer M18 - ISO 7089		2



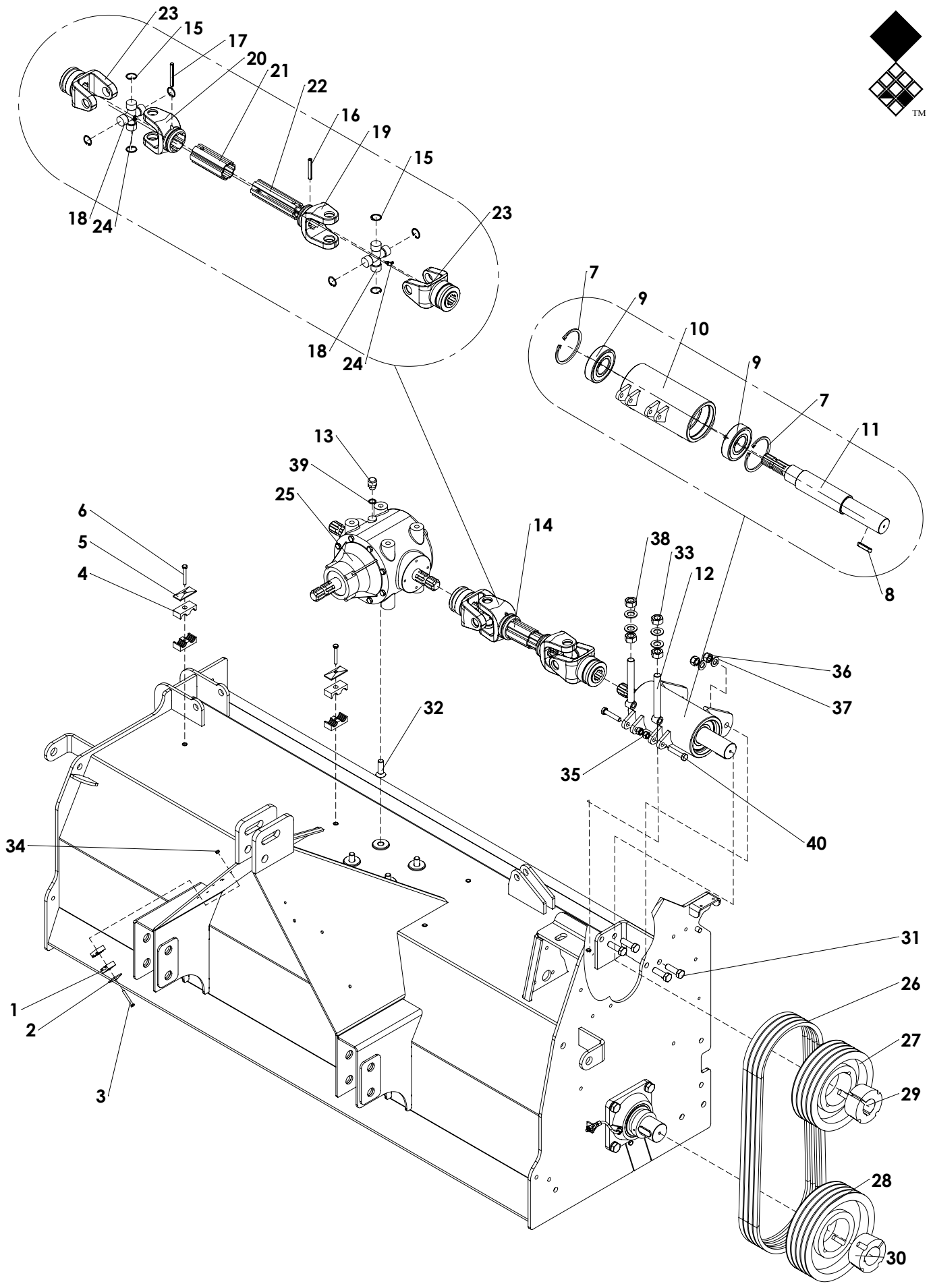
Page 6



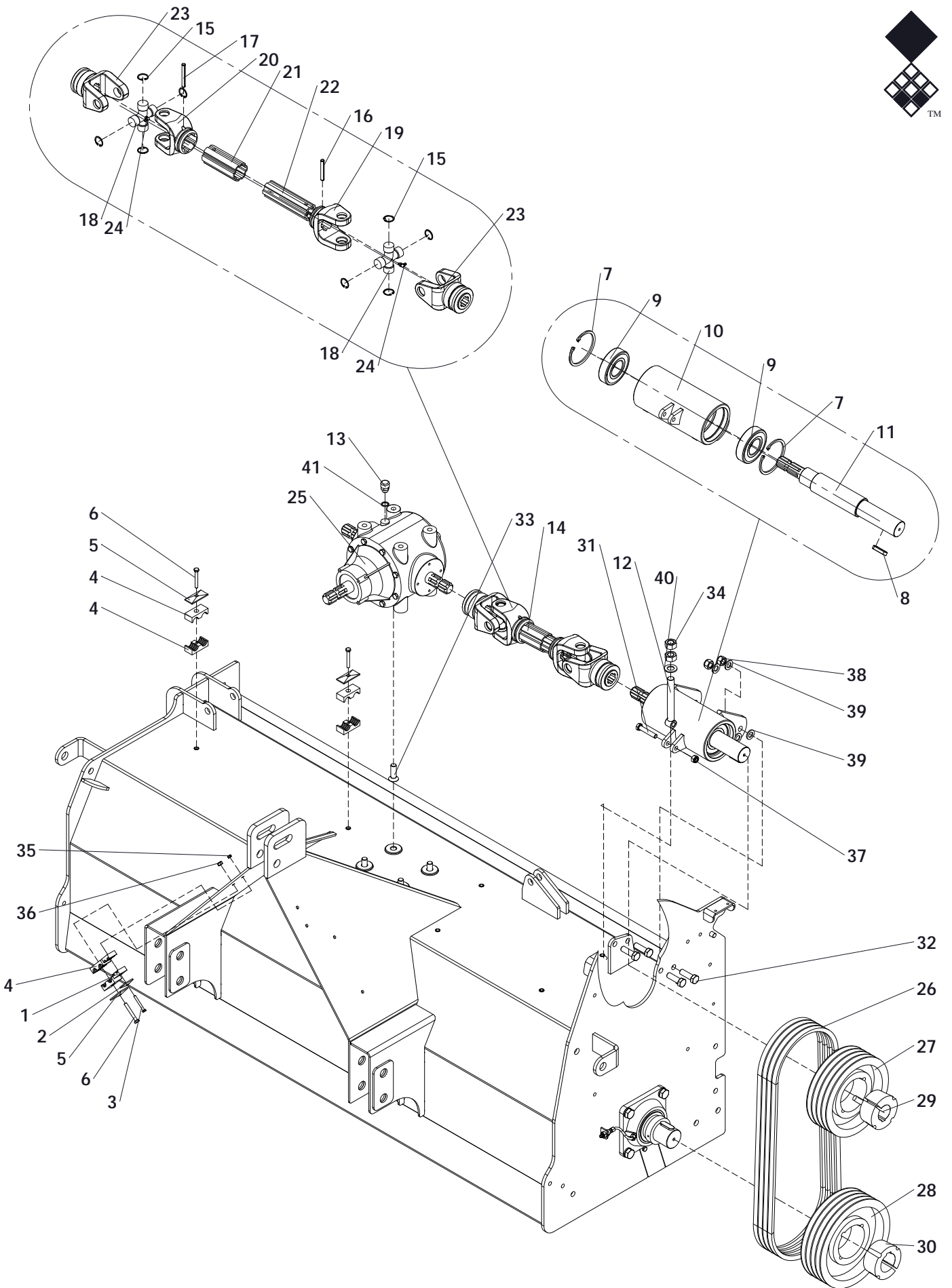
ITEM	PART NUMBER	DESCRIPTION	REMARKS	QUA
1	2602004	Inner bush		2
2	406.200.120	Bush Ø28/Ø20.2 L=14		2
3	416.192.100	Special bolt		1
4	466.104.500	Lever transport belt		1
5	478.345.632	Reaction bar		1
6	802.200.700	Bolt M20 x 70 - ISO 4014		2
7	802.200.750	Bolt M20 x 75 - ISO 4014		1
8	802.201.000	Bolt M20 x 120 - ISO 4014		1
9	802.201.400	Bolt M20 x 140 - ISO 4014		1
10	804.160.500	Bolt M16 x 50 - ISO 4017		4
11	808.191.140	HFBOLT 0.75-16x4.5x1.75-C		1
12	816.160.452	Bolt M16 x 45 - DIN 7991		3
13	830.160.160	Self Lock Nut M16 - ISO 10511		7
14	830.180.180	Self Lock Nut M18 - ISO 10511		1
15	830.200.200	Self Lock Nut M20 Din 985 h=17		5
16	840.190.230	SL Nut 3/4"-16 UNF		1
17	864.180.030	Washer M18 - ISO 7089		1
18	864.200.030	Washer M20 - ISO 7089		5



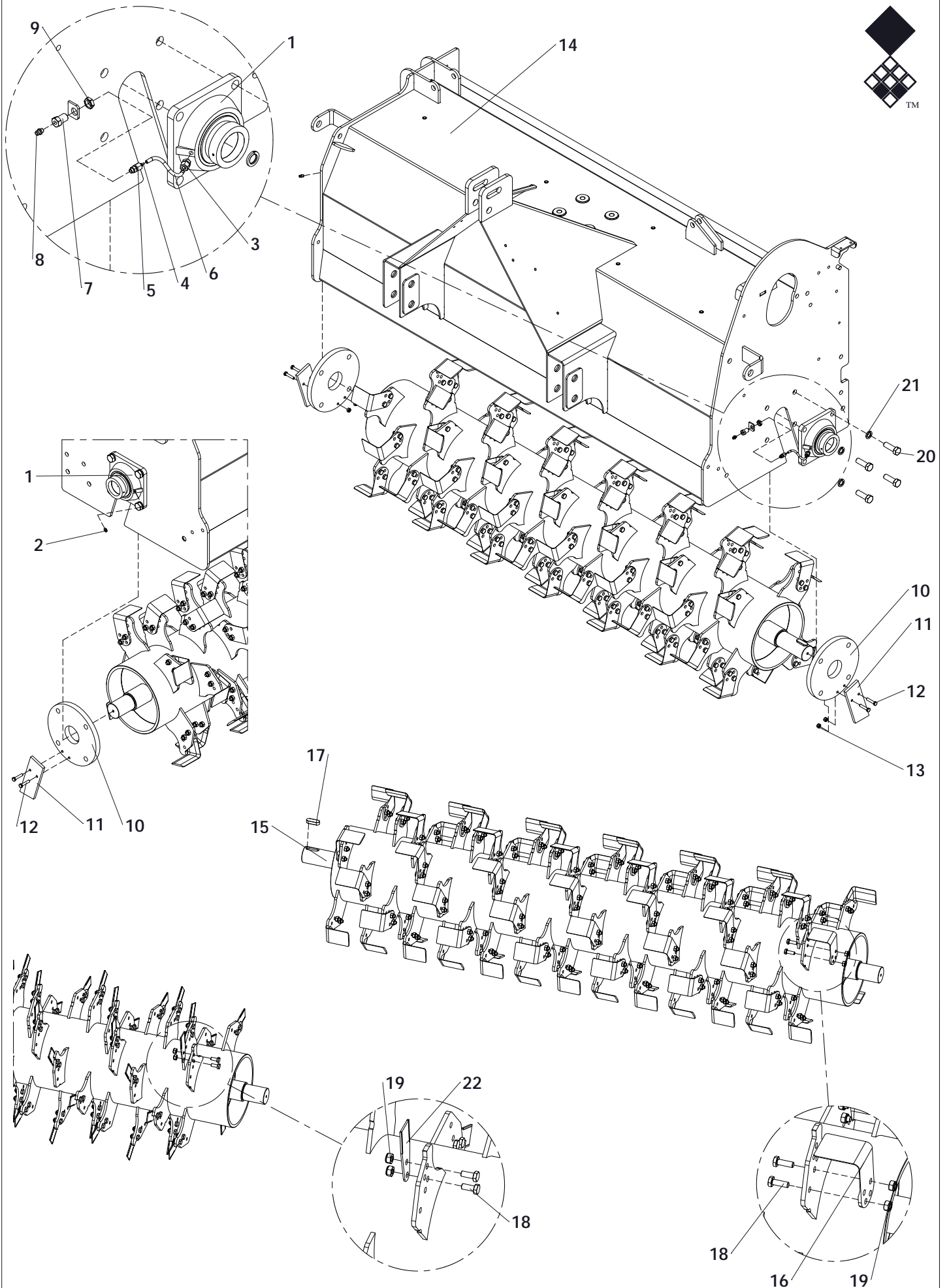
ITEM	PART NUMBER	DESCRIPTION	REMARKS	QUA
1	2490830	Pin d.25		1
2	402.130.200	Bush Ø12.5/Ø25 L=19.5		2
3	406.101.300	Distance bush Ø16/Ø10.5 L=13		1
32	444.803.100	Toolbox Complete		1
5	446.200.800	Rubber stop		1
6	464.101.140	Safety hook		1
	468.027.372	Safety cover	Till SN H21501	1
7	468.029.004	Safety cover pulleys		1
8	521.281.230	Pin 28x123		2
9	523.051.000	R-clip Round 5, DIN 11024		1
10	629.123.108	Cover PTO Shaft		1
11	629.210.192	PTO Cover Comer		1
12	802.060.350	Bolt M6 x 35 - ISO 4017		2
13	802.100.400	Bolt M10 x 40 - ISO 4014		1
14	802.120.450	Bolt M12 x 45 ISO 4014		2
15	804.080.160	Bolt M8 x 16 - ISO 4017		8
16	804.080.200	Bolt M8 x 20 - ISO 4017		4
17	804.080.300	Bolt M8 x 30 - ISO 4017		2
18	804.100.300	Bolt M10 x 30 - ISO 4017		4
19	830.060.060	Self Lock Nut M6 - ISO 10511		2
20	830.100.100	Self Lock Nut M10 - ISO 10511		7
21	830.120.120	Self Lock Nut M12 - ISO 10511		2
22	864.080.030	Washer M8 - ISO 7089		14
23	864.100.030	Washer M10 - ISO 7089		4
24	864.100.031	Large washer M10 - DIN 9021		2
25	864.140.031	Large washer M14 - DIN 9021		2
26	866.080.020	Spring Washer M8 - DIN 127		14
27	468.027.374	Safety cover		1
28	523.100.570	Linch Pin d10		2
29	462.185.100	Transport bracket		1
30	802.100.650	Bolt M10 x 65 - ISO 4014		2



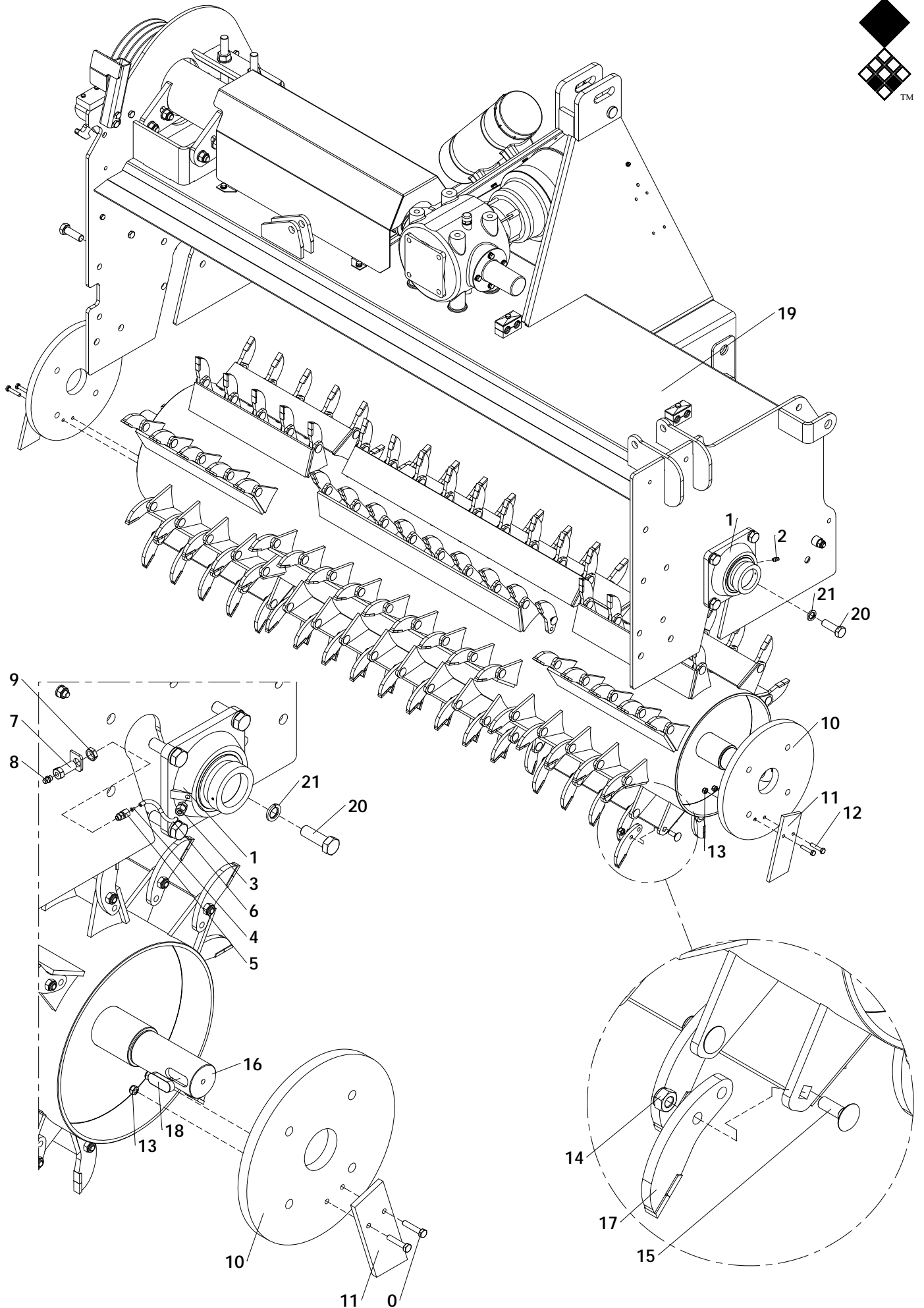
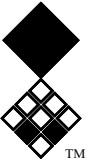
ITEM	PART NUMBER	DESCRIPTION	REMARKS	QUA
1	547.120.120	Hose clamp double 12mm		2
2	547.300.340	Cover plate hose clamp 2x10 - 2x12		1
3	802.060.500	Bolt M6 x 50 - ISO 4014		1
4	547.220.220	Hose clamp double 22mm		6
5	547.300.640	Cover plate hose clamp 2x22		3
6	802.080.600	Bolt M8 x 60 - ISO 4014		3
7	872.110.400	Circlip D=110 - DIN 472		2
8	884.140.500	Key 6x6x20 - DIN 6885		1
9	713.500.270	Bearing 6310-2RS		2
10	478.133.265	Bearing house drive shaft		1
11	420.594.570	Drive shaft		1
12	474.241.730	Eye bolt spanner		2
13	537.380.360	Breather 3/8" BSP		1
14	613.455.350	Drive shaft Turf Stripper	Complete	1
15	872.030.120	Circlip D=30 - DIN 472		8
16	19000016	Inner roll pin		1
17	19000018	Outer roll pin		1
18	180016004	Cross and 4x circlip kit		2
19	151016389	Inner tube yoke type V-60		1
20	151016388	Outer tube yoke type V-60		1
21	1522602010700	V60-series Outer tube L=130		1
22	153260101	V60-series Inner tube L=175		1
23	141026108	Complete collar yoke type 60		2
24	880.060.102	Grease nipple M6 90deg		2
25	622.225.436	Gearbox Comer T-292B 1:1.86	Oil: 2.5Ltr (0.09 cu.ft.) SAE140	1
26	642.131.900	V-Belt XPB 1900		4
27	646.022.504	Pulley SPB 250-4 T3020		1
28	646.022.804	Pulley SPB 280-4 T3020		1
29	648.503.020	Taperlock 3020 - 50mm		1
30	648.603.020	Taperlock 3020 - 60mm		1
31	804.160.500	Bolt M16 x 50 - ISO 4017		4
32	816.160.500	Bolt M16 x 50 - DIN 7991	Use threadlock sealant	4
33	826.200.200	Nut M20 - DIN 934		4
34	830.060.060	Self Lock Nut M6 - ISO 10511		1
35	830.120.120	Self Lock Nut M12 - ISO 10511		2
36	830.160.160	Self Lock Nut M16 - ISO 10511		4
37	864.160.030	Washer M16 - ISO 7089		4
38	864.200.030	Washer M20 - ISO 7089		4
39	874.170.020	Copper washer 3_8		1
40	802.120.600	Bolt M12 x 60 - ISO 4014		2



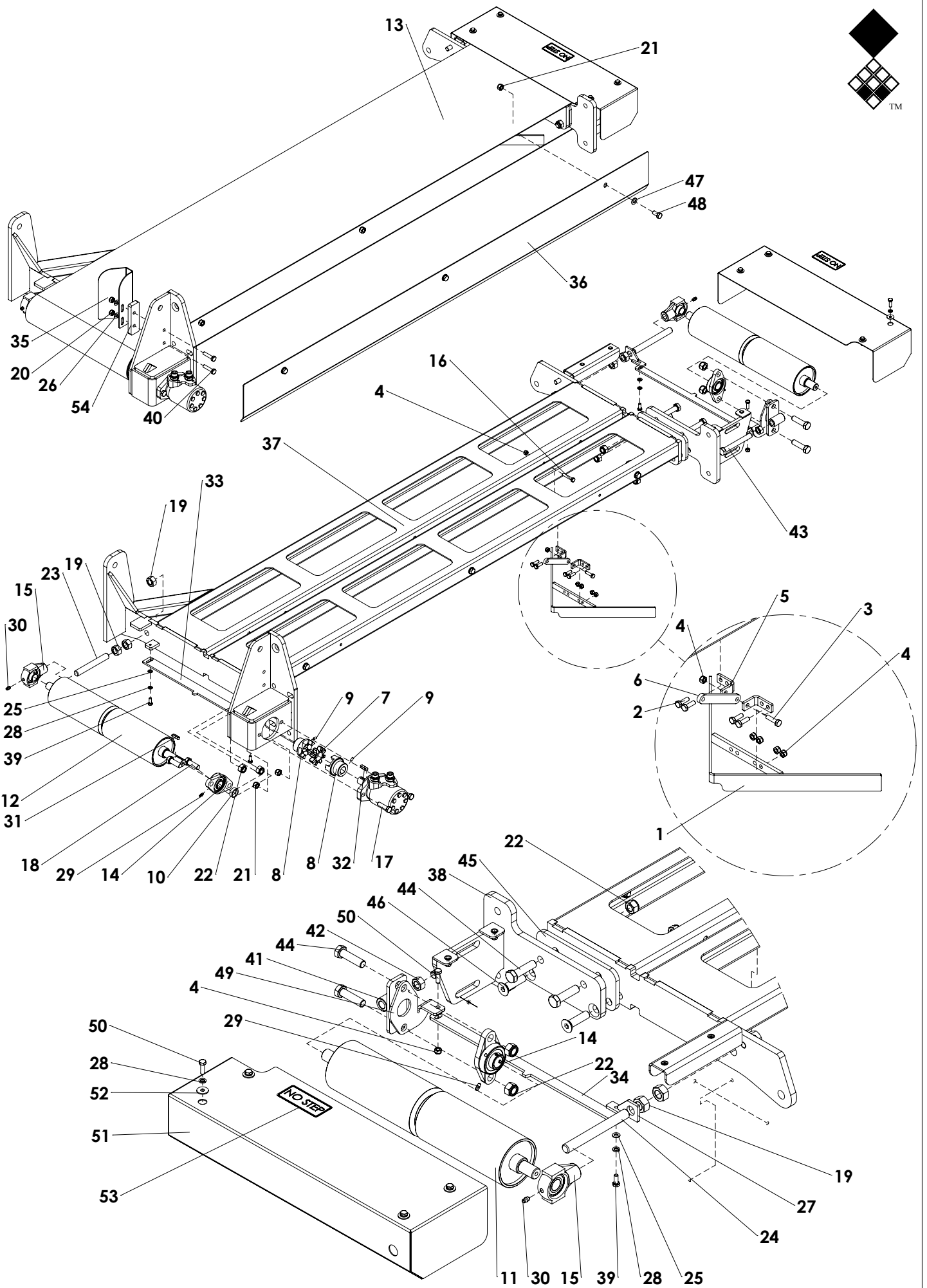
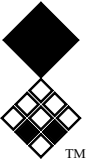
ITEM	PART NUMBER	DESCRIPTION	REMARKS	QUA
1	547.120.120	Hose clamp double 12mm		2
2	547.300.340	Cover plate hose clamp 2x10 - 2x12		1
3	802.060.500	Bolt M6 x 50 - ISO 4014		1
4	547.220.220	Hose clamp double 22mm		6
5	547.300.640	Cover plate hose clamp 2x22		3
6	802.080.600	Bolt M8 x 60 - ISO 4014		3
7	872.110.400	Circlip D=110 - DIN 472		2
8	884.140.500	Key 14x9x50 - DIN 6885		1
9	713.500.270	Bearing 6310-2RS		2
10	478.133.265	Bearing house drive shaft		1
11	420.594.570	Drive shaft		1
12	474.241.730	Eye bolt spanner		1
13	537.380.360	Breather 3/8" BSP		1
14	613.455.350	Drive shaft Turf Stripper	Complete	1
15	872.030.120	Circlip D=30 - DIN 472		8
16	19000016	Inner roll pin		1
17	19000018	Outer roll pin		1
18	180016004	Cross and 4x circlip kit		2
19	151016389	Inner tube yoke type V-60		1
20	151016388	Outer tube yoke type V-60		1
21	1522602010700	V60-series Outer tube L=130		1
22	153260101	V60-series Inner tube L=175		1
23	141026108	Complete collar yoke type 60		2
24	880.060.102	Grease nipple M6 90deg		2
25	622.225.436	Gearbox Comer T-292B 1:1.86	Oil: 2.5Ltr (0.09 cu.ft.) SAE140	1
26	642.131.900	V-Belt XPB 1900		4
27	646.022.504	Pulley SPB 250-4 T3020		1
28	646.022.804	Pulley SPB 280-4 T3020		1
29	648.503.020	Taperlock 3020 - 50mm		1
30	648.603.020	Taperlock 3020 - 60mm		1
31	802.120.650	Bolt M12 x 65 - ISO 4014		1
32	804.160.500	Bolt M16 x 50 - ISO 4017		4
33	816.160.500	Bolt M16 x 50 - DIN 7991	Use threadlock sealant	4
34	826.200.200	Nut M20 - DIN 934		2
35	830.060.060	Self Lock Nut M6 - ISO 10511		1
36	830.080.080	Self Lock Nut M8 - ISO 10511		1
37	830.120.120	Self Lock Nut M12 - ISO 10511		1
38	830.160.160	Self Lock Nut M16 - ISO 10511		4
39	864.160.030	Washer M16 - ISO 7089		6
40	864.200.030	Washer M20 - ISO 7089		1
41	874.170.020	Copper washer 3_8		1



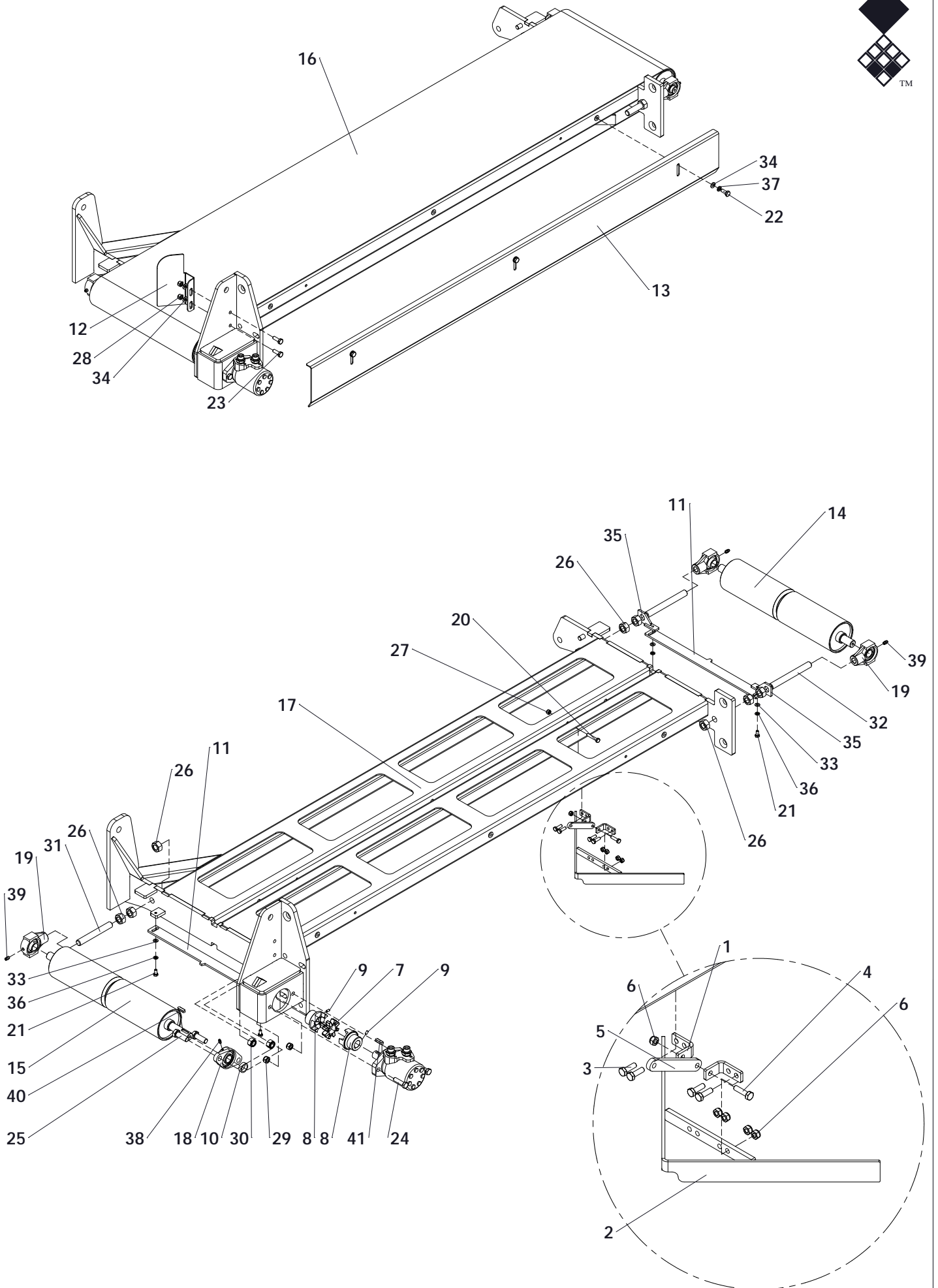
ITEM	PART NUMBER	DESCRIPTION	REMARKS	QUA
1	741.600.810	TCJ60-N		2
2	880.090.100	Grease nipple Rp 1/8 straight		1
3	596.120.242	Grease nipple connector		1
4	596.060.060	Connector		2
5	596.120.240	Grease nipple connector		1
6	596.061.500	Grease Hose L=150		1
7	596.140.270	Bulkhead coupling		1
8	880.080.100	Grease nipple M8 DIN 71412A		1
9	844.140.060	Nut M14x1.5		1
10	468.152.504	Side cover bearing		2
11	468.101.900	Side strip cover bearing		2
12	802.080.400	Bolt M8 x 40 - ISO 4014		4
13	830.080.080	Self Lock Nut M8 - ISO 10511		4
14	494.208.098	Main frame TS2000		1
15	488.556.214	Rotor Turf Stripper 2000		1
16	353.135.116	Fraser Blade		76
17	884.180.500	Key 18x11x50 - DIN 6885		1
18	804.100.300	Bolt M10 x 30 - ISO 4017		152
19	830.100.100	Self Lock Nut M10 - ISO 10511		152
20	802.180.550	Bolt M18 x 55 - ISO 4014		8
21	866.180.020	Spring Washer M18 - DIN 127		8
22	353.303.128	Scarify Blade 3mm CT Fieldstripper		76



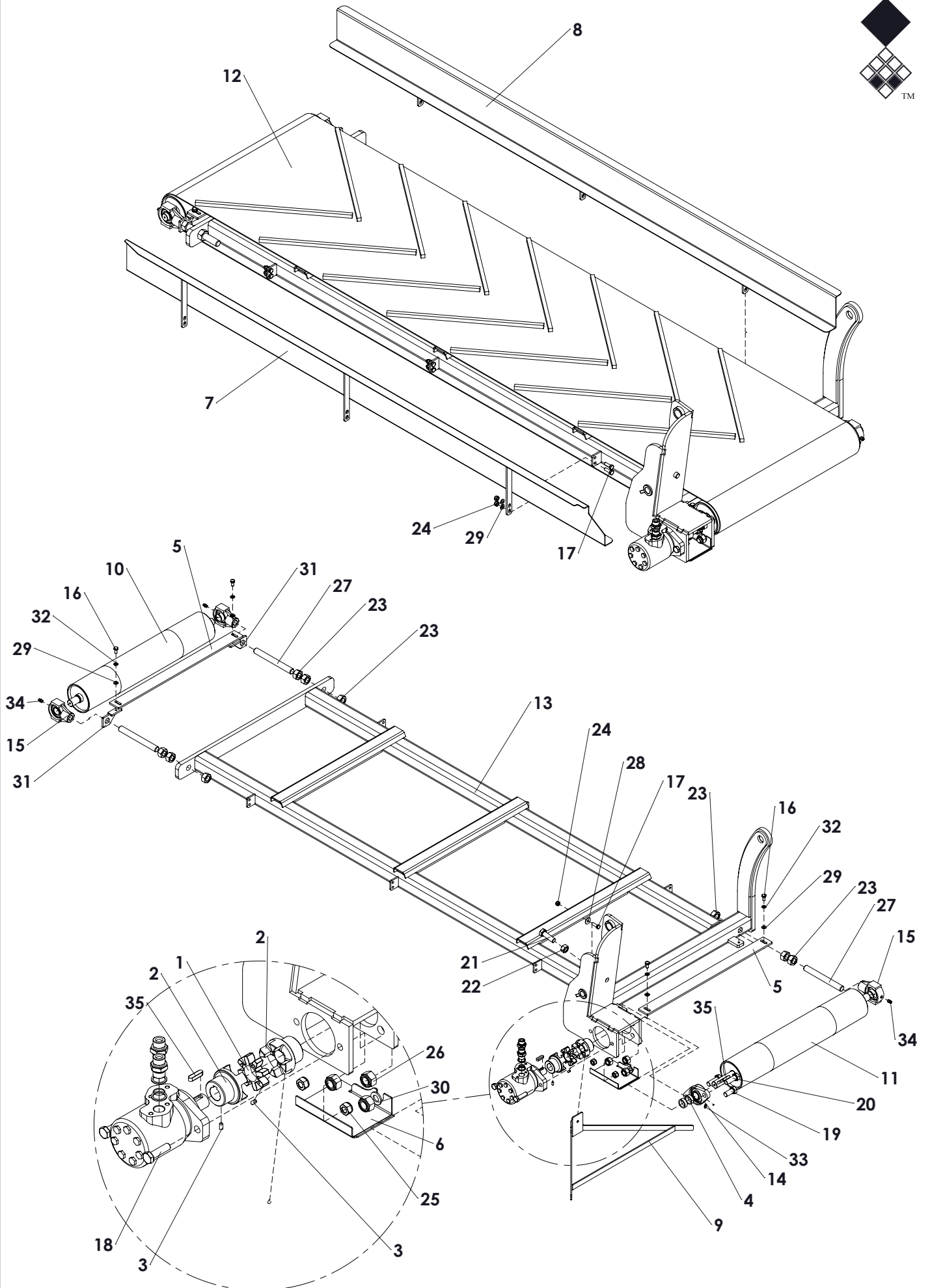
ITEM	PART NUMBER	DESCRIPTION	REMARKS	QUA
1	741.600.810	TCJ60-N		2
2	880.090.100	Grease nipple Rp 1/8 straight		1
3	596.120.242	Grease nipple connector		1
4	596.060.060	Connector		2
5	596.120.240	Grease nipple connector		1
6	596.061.500	Grease Hose L=150		1
7	596.140.270	Bulkhead coupling		1
8	880.080.100	Grease nipple M8 DIN 71412A		1
9	844.140.060	Nut M14x1.5		1
10	468.203.360	Side cover bearing		2
11	468.101.900	Side strip cover bearing		2
12	802.080.400	Bolt M8 x 40 - ISO 4014		4
13	830.080.080	Self Lock Nut M8 - ISO 10511		4
14	830.100.100	Self Lock Nut M10 - ISO 10511		150
15	820.100.300	MH Bolt M10 x 30 ISO 8677		150
16	488.556.216	Hybrid rotor 2000		1
17	353.303.110	Hybrid Blade 13mm		150
18	884.180.500	Key 18x11x50 - DIN 6885		1
19	494.208.098	Main frame TS2000		1
20	802.180.550	Bolt M18 x 55 - ISO 4014		8
21	866.180.020	Spring Washer M18 - DIN 127		8



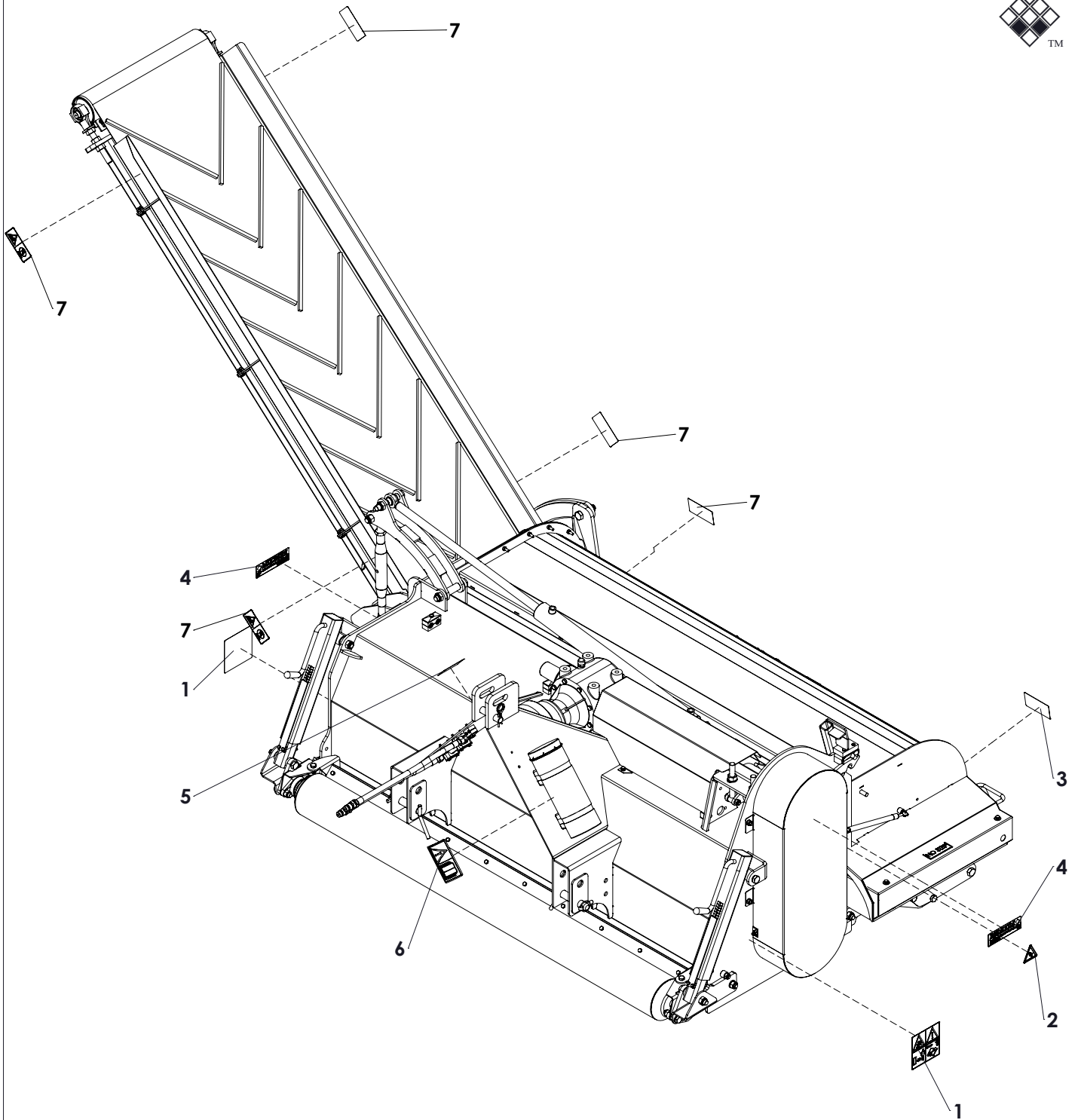
ITEM	PART NUMBER	DESCRIPTION	REMARKS	QUA
1	466.055.000	Triangular scraper		1
2	804.080.250	Bolt M8 x 25 - ISO 4017		4
3	804.080.300	Bolt M8 x 30 - ISO 4017		1
4	830.080.080	Self Lock Nut M8 - ISO 10511		7
5	464.050.502	Bracket		2
6	464.081.300	Strip 20x8 L=130		1
7	665.650.200	Coupling Rubber EGE-2-RP 92° Shore		1
8	665.250.520	Coupling half A2825 Cast Iron		2
9	818.060.120	Set screw M6 x 12 - DIN 916		2
10	406.250.100	Distance bush Ø32/Ø25 L=10		1
11	488.089.608	Belt roller		1
12	488.089.638	Belt roller		1
13	492.049.240	Conveyor belt		1
14	742.250.360	Bearing UCFL 205		2
15	743.250.440	Bearing PHEY25		2
16	802.080.450	Bolt M8 x 45 - ISO 4014		1
17	804.120.450	Bolt M12 x 45 - ISO 4017		2
18	804.160.450	Bolt M16 x 45 - ISO 4017		2
19	826.200.200	Nut M20 - DIN 934		6
20	830.100.100	Self Lock Nut M10 - ISO 10511		2
21	830.120.120	Self Lock Nut M12 - ISO 10511		5
22	830.160.160	Self Lock Nut M16 - ISO 10511		8
23	852.201.500	Threaded rod M20 L=150		1
24	852.201.800	Threaded rod M20 L=180		1
25	864.080.030	Washer M8 - ISO 7089		3
26	864.100.030	Washer M10 - ISO 7089		2
27	866.060.850	Scraper bracket		1
28	866.080.020	Spring Washer M8 - DIN 127		3
29	880.060.100	Grease nipple M6 DIN 71412A		2
30	880.090.100	Grease nipple Rp 1/8 straight		2
31	884.080.300	Key 8x7x30 - DIN 6885		1
32	884.080.320	Key 8x7x32 - DIN 6885		1
33	464.065.100	Roller scraper		1
34	464.065.400	Roller scraper		1
35	468.032.102	Material divider		1
36	468.039.206	Deflection cover belt		1
37	494.244.084	Fixed conveyor frame		1
38	470.153.400	Bearing bracket		1
39	804.080.200	Bolt M8 x 20 - ISO 4017		3
40	804.100.450	Bolt M10 x 45 - ISO 4017		2
41	472.081.300	Spanner bracket		1
42	826.160.160	Nut M16 - DIN 934		1
43	804.161.300	Bolt M16 x 130 - ISO 4017		1
44	804.160.600	Bolt M16 x 60 - ISO 4017		4
45	468.102.302	Spacer plate		1
46	816.160.600	Bolt M16 x 60 - DIN 7991		2
47	864.120.030	Washer M12 - ISO 7089		3
48	804.120.250	Bolt M12 x 25 - ISO 4017		3
49	468.051.302	Scraper bracket		1
50	804.080.250	Bolt M8 x 25 - ISO 4017		5
51	456.023.070	Belt cover		1
52	864.080.024	Large washer M8 - DIN 9021		4
53	955.280.000	No step decall		1
54	464.151.250	Spacer		1



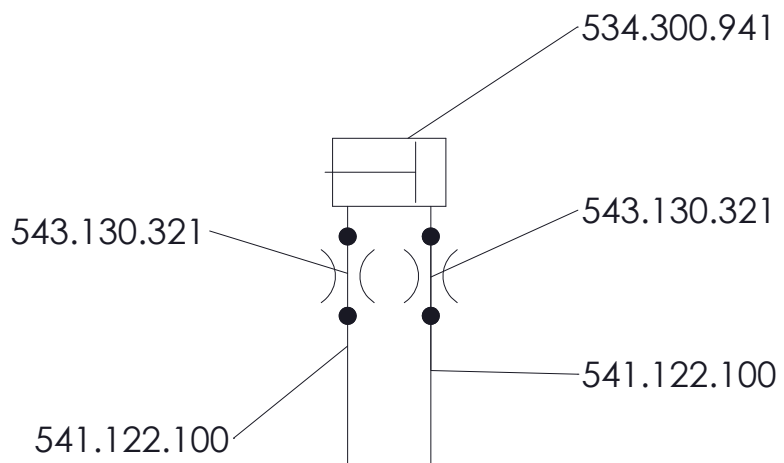
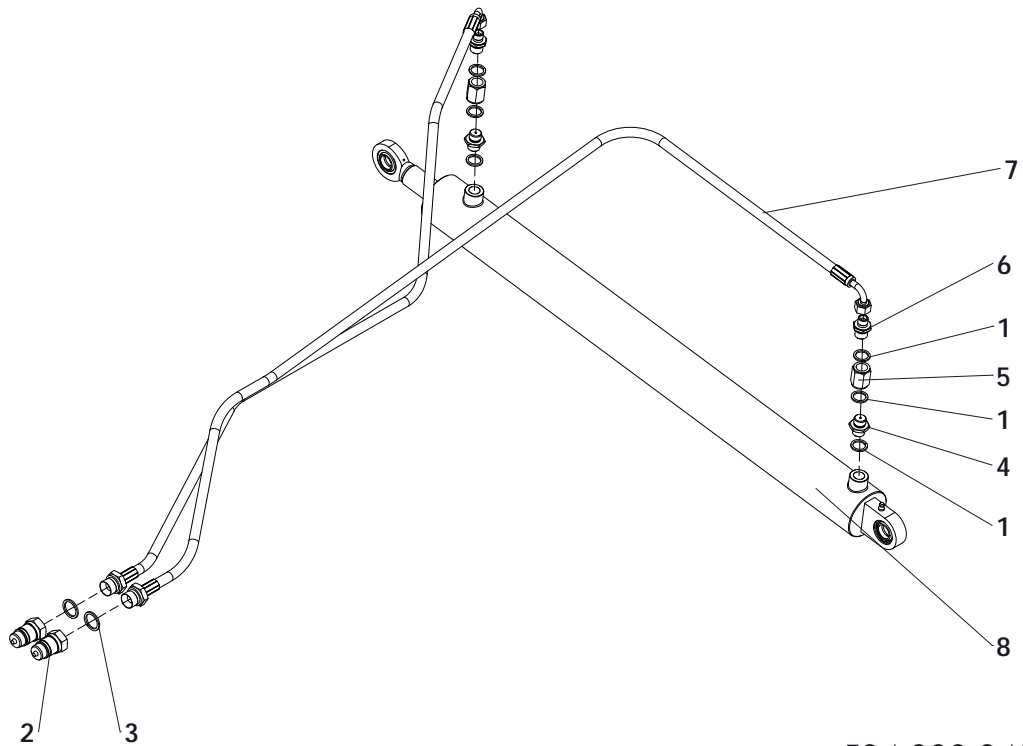
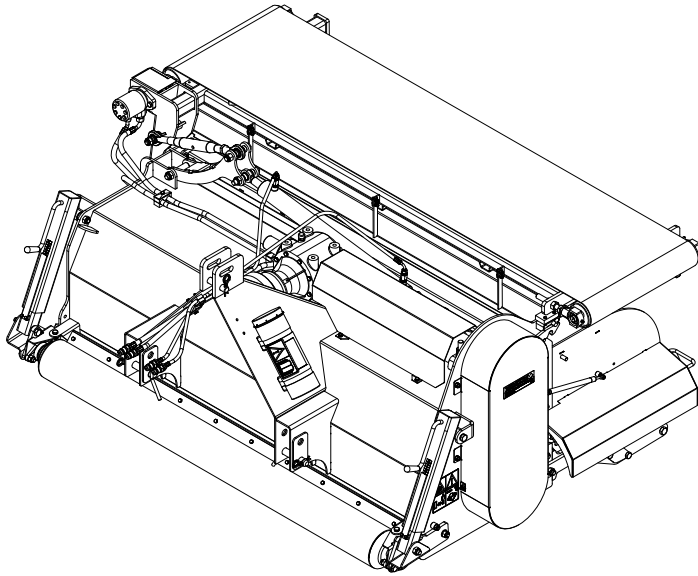
ITEM	PART NUMBER	DESCRIPTION	REMARKS	QUA
1	464.050.502	Bracket		2
2	466.055.000	Triangular scraper		1
3	804.080.250	Bolt M8 x 25 - ISO 4017		4
4	804.080.300	Bolt M8 x 30 - ISO 4017		1
5	464.081.300	Strip 20x8 L=130		1
6	830.080.080	Self Lock Nut M8 - ISO 10511		5
7	665.650.200	Coupling Rubber EGE-2-RP 92° Shore		1
8	665.250.520	Coupling half A2825 Cast Iron		2
9	818.060.120	Set screw M6 x 12 - DIN 916		2
10	406.250.100	Distance bush Ø32/Ø25 L=10		1
11	464.065.100	Roller scraper		2
12	468.032.100	Material divider		1
13	468.039.202	Deflection cover belt		1
14	488.089.608	Belt roller		1
15	488.089.638	Belt roller		1
16	492.049.240	Conveyor belt		1
17	494.227.084	Fixed conveyor frame		1
18	742.250.360	Bearing UCFL 205		1
19	743.250.440	Bearing PHEY25		3
20	802.080.450	Bolt M8 x 45 - ISO 4014		1
21	804.080.200	Bolt M8 x 20 - ISO 4017		4
22	804.100.250	Bolt M10 x 25 - ISO 4017		3
23	804.100.300	Bolt M10 x 30 - ISO 4017		2
24	804.120.400	Bolt M12 x 45 - ISO 4017		2
25	804.160.450	Bolt M16 x 45 - ISO 4017		2
26	826.200.200	Nut M20 - DIN 934		9
27	830.080.080	Self Lock Nut M8 - ISO 10511		1
28	830.100.100	Self Lock Nut M10 - ISO 10511		2
29	830.120.120	Self Lock Nut M12 - ISO 10511		2
30	830.160.160	Self Lock Nut M16 - ISO 10511		2
31	852.201.500	Threaded rod M20 L=150		1
32	852.201.800	Threaded rod M20 L=180		2
33	864.080.030	Washer M8 - ISO 7089		4
34	864.100.030	Washer M10 - ISO 7089		5
35	866.060.850	Scraper bracket		2
36	866.080.020	Spring Washer M8 - DIN 127		4
37	866.100.020	Spring Washer M10 - DIN 127		3
38	880.060.100	Grease nipple M6 DIN 71412A		1
39	880.090.100	Grease nipple Rp 1/8 straight		3
40	884.080.300	Key 8x7x30 - DIN 6885		1
41	884.080.320	Key 8x7x32 - DIN 6885		1



ITEM	PART NUMBER	DESCRIPTION	REMARKS	QUA
1	665.650.200	Coupling Rubber EGE-2-RP 92° Shore		1
2	665.250.520	Coupling half A2825 Cast Iron		2
3	818.060.120	Set screw M6 x 12 - DIN 916		2
4	406.250.100	Distance bush Ø32/Ø25 L=10		2
5	464.066.100	Scraper strip		2
6	468.021.482	Protection cover		1
7	470.029.201	Sidepanel conveyor left		1
8	470.029.210	Side panel conveyor right		1
9	470.046.000	Scraper		1
10	488.110.070	Driven roller L=615		1
11	488.110.075	Driver roller L=615		1
12	492.149.242	Conveyor belt	From SN. H21501	1
	492.149.241	Conveyor belt	Till SN. H21501	1
13	494.224.092	External conveyor frame		1
14	742.250.360	Bearing UCFL 205		1
15	743.250.440	Bearing PHEY25		3
16	804.080.160	Bolt M8 x 16 - ISO 4017		4
17	804.080.250	Bolt M8 x 25 - ISO 4017		13
18	804.120.450	Bolt M12 x 45 - ISO 4017		2
19	804.160.350	Bolt M16 x 35 - ISO 4017		1
20	804.160.450	Bolt M16 x 45 - ISO 4017		2
21	804.160.500	Bolt M16 x 50 - ISO 4017		1
22	826.160.160	Nut M16 - DIN 934		1
23	826.200.200	Nut M20 - DIN 934		9
24	830.080.080	Self Lock Nut M8 - ISO 10511		13
25	830.120.120	Self Lock Nut M12 - ISO 10511		2
26	830.160.160	Self Lock Nut M16 - ISO 10511		3
27	852.201.800	Threaded rod M20 L=180		3
28	864.080.024	Large washer M8 - DIN 9021		1
29	864.080.030	Washer M8 - ISO 7089		16
30	864.120.030	Washer M12 - ISO 7089		1
31	866.060.850	Scraper bracket		2
32	866.080.020	Spring Washer M8 - DIN 127		4
33	880.060.100	Grease nipple M6 DIN 71412A		1
34	880.090.100	Grease nipple Rp 1/8 straight		3
35	884.080.320	Key 8x7x32 - DIN 6885		2

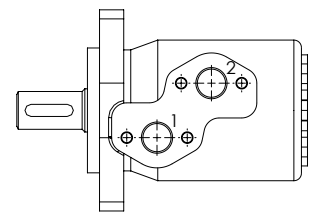
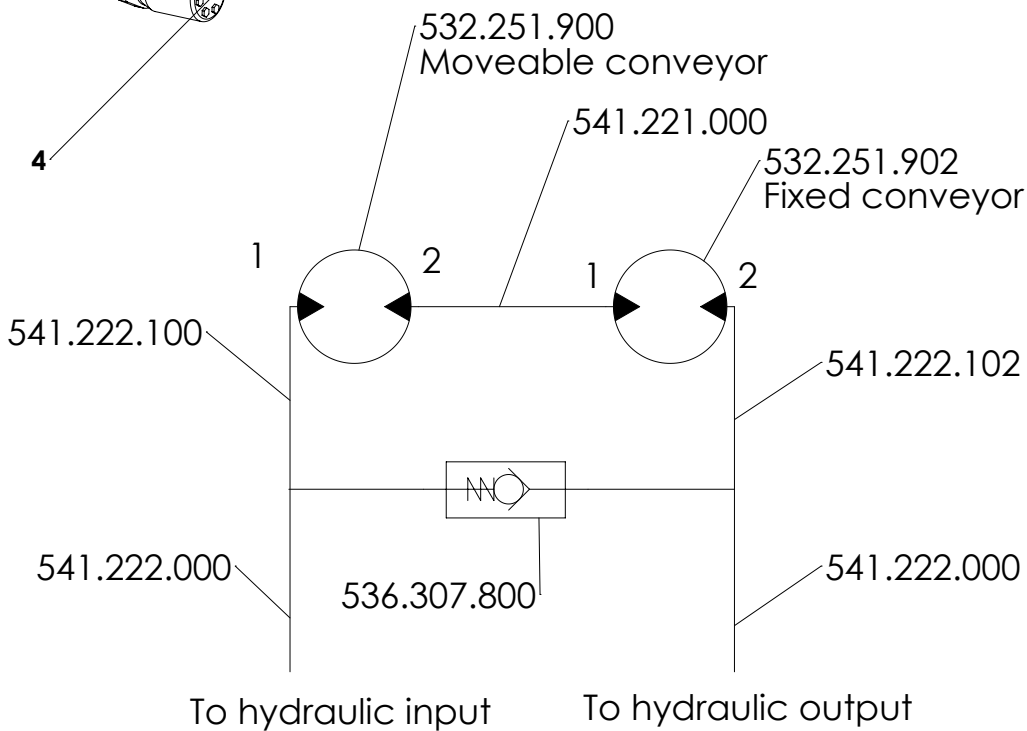
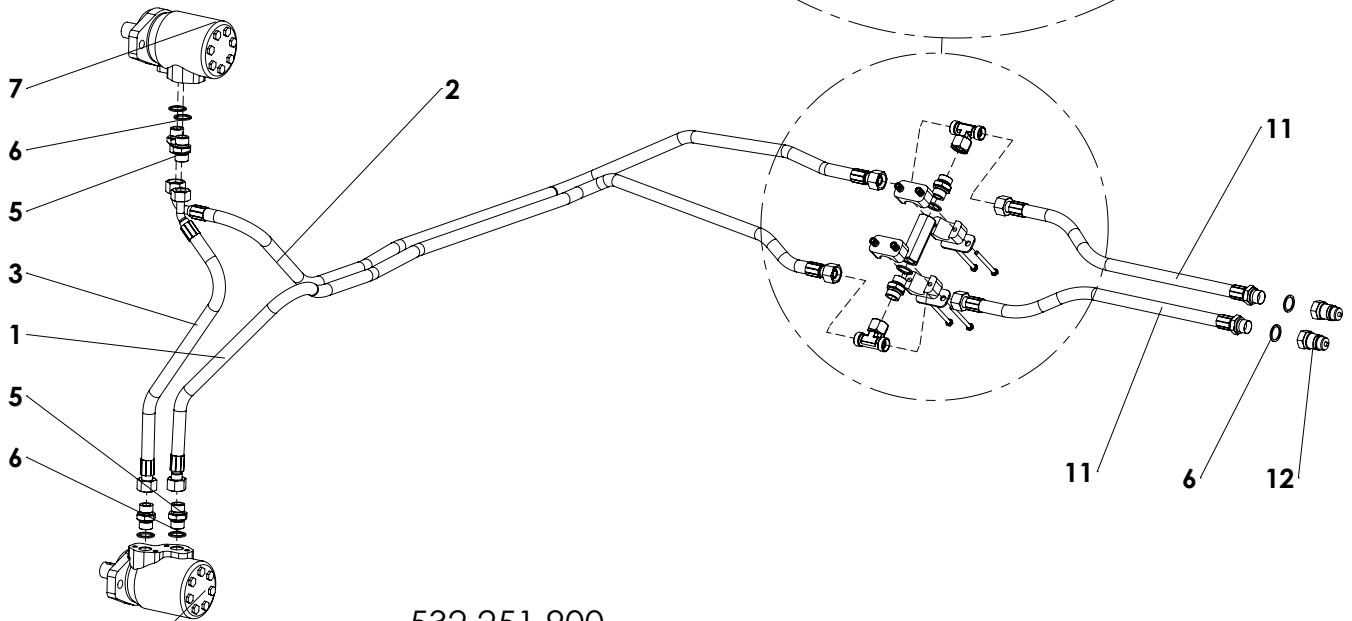
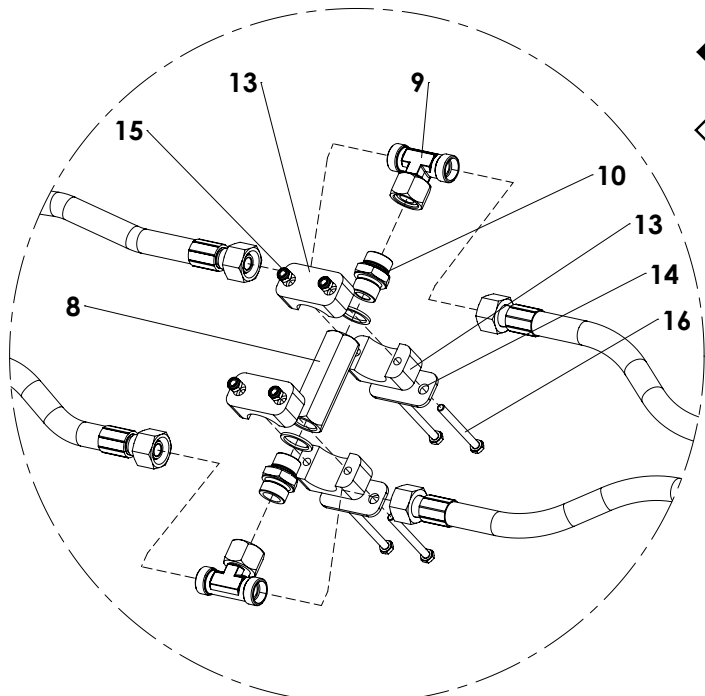
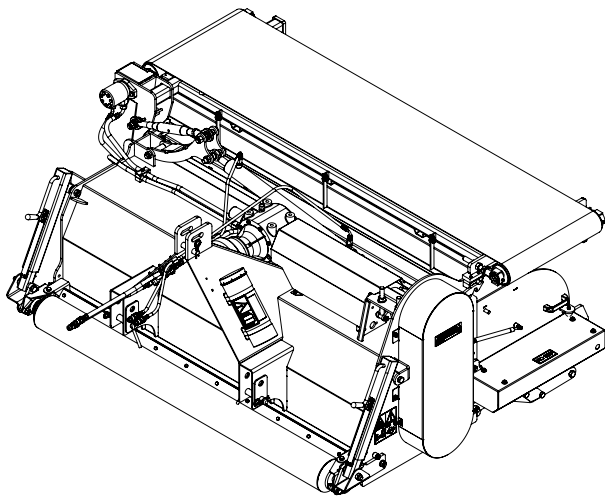


ITEM	PART NUMBER	DESCRIPTION	REMARKS	QUA
1	933.280.402	Safety decall Rink Verti-Top		2
2	900.280.404	Decall cut off fingers		1
3	911.280.404	Decall close cover		1
4	900.260.403	Logo Label		2
5	900.260.422	Decall PTO 350 540		1
6	900.280.402	Safety decall manual		1
7	900.280.300	Safety decall conveyor belt		5

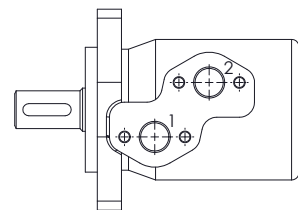
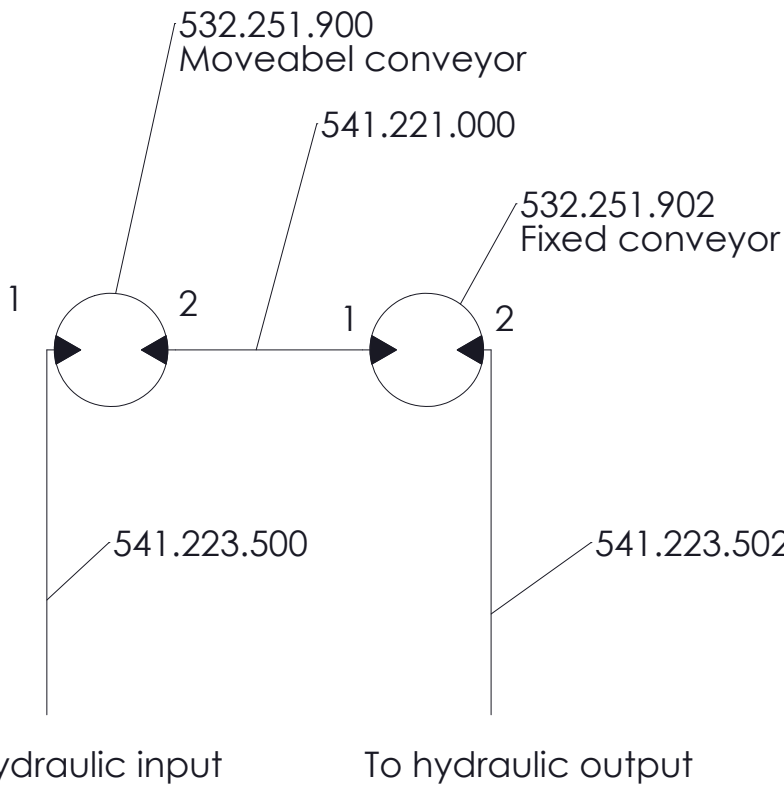
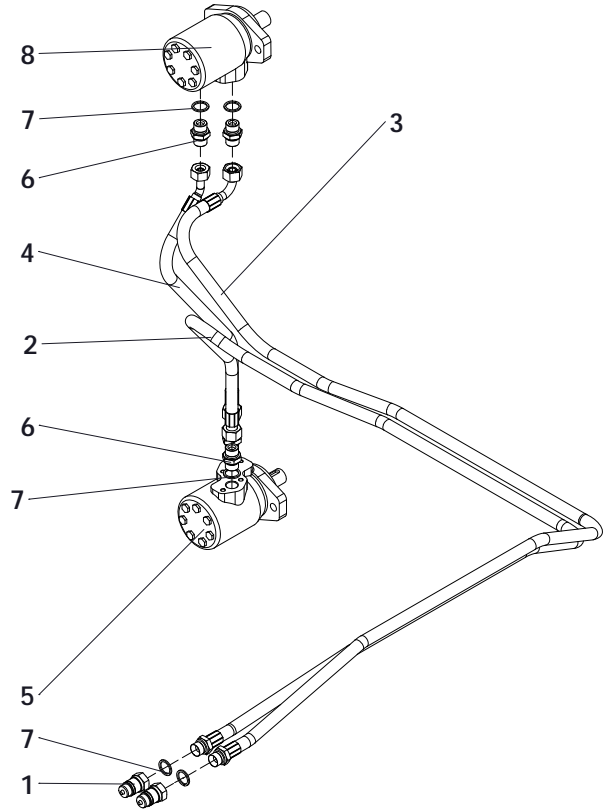
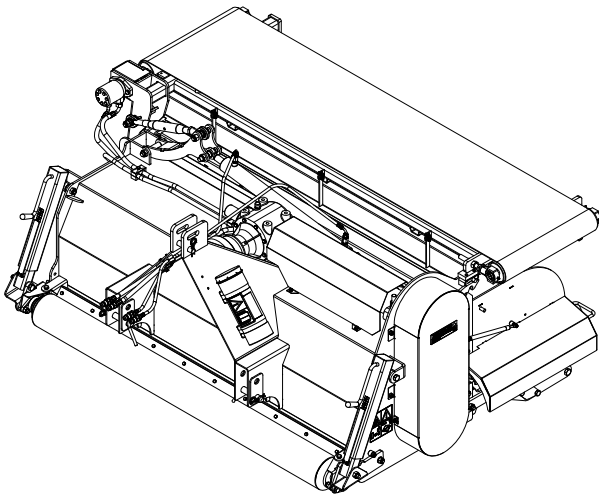


To hydraulic input To hydraulic output

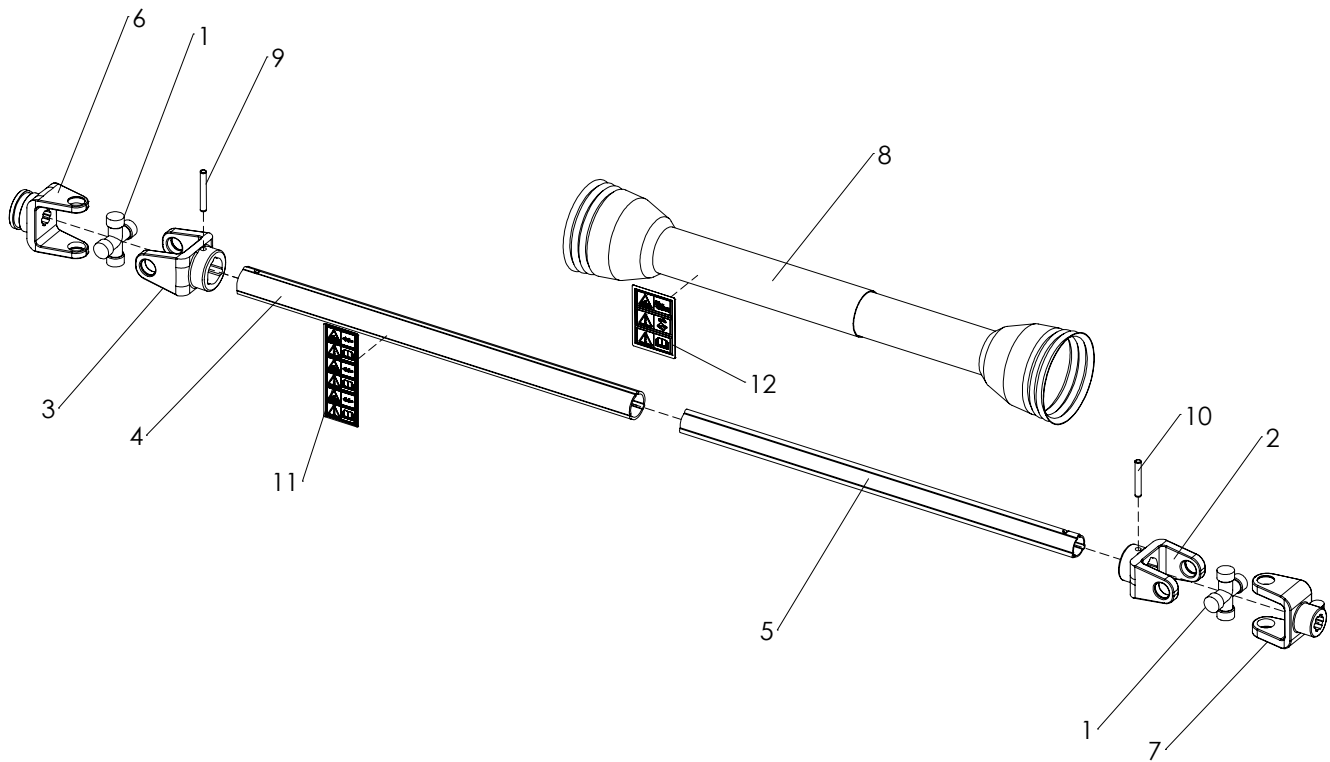
ITEM	PART NUMBER	DESCRIPTION	REMARKS	QUA
1	874.170.020	Copper washer 3_8		6
2	545.210.800	Quick connector male 1/2"		2
3	874.210.020	Copper washer 1_2		2
4	543.130.321	Nipple with flow reducer		2
5	543.130.330	Threaded bush		2
6	543.130.170	Nipple BSP 1_4" x 3_8" 60 deg		2
7	541.122.100	Hose NSK6 (1/4") TL=2200 PF6490 + PN68		2
8	534.300.941	Hydraulic cylinder 30/60 stroke 691		1



ITEM	PART NUMBER	DESCRIPTION	REMARKS	QUA
1	541.222.102	Hose NSK13 (1/2") TL=2100 PF138 + PGL01322		1
2	541.222.100	Hose NSK13 (1/2") TL=2100 PF13890 + PGL01322		1
3	541.221.000	Hose NSK13 (1/2") TL=1050 PF13845 + PF138		1
4	532.251.902	Hydraulic motor OMP 100		1
5	543.210.210	Nipple BSP 1_2" x 1_2" 60deg		4
6	874.210.020	Copper washer 1_2		6
7	532.251.900	Hydraulic motor OMP 80		1
8	536.307.800	SL Non-Return Valve 1/2", 10.0 bar		1
9	544.154.702	T-Connector PM, Pipe 15-M22		2
10	544.210.150	Nipple BSP 1_2" x pipe 15 (M22)		2
11	541.222.000	Hose NSK13 (1/2") TL=2000 PGL01322 PN138		2
12	545.210.800	Quick connector male 1/2"		2
13	547.300.302	Pipe clamp single Ø30 Gr4		4
14	549.300.570	Deck plate Gr4		2
15	830.060.060	Self Lock Nut M6 - ISO 10511		4
16	802.060.650	Bolt M6 x 65 - ISO 4014		4



ITEM	PART NUMBER	DESCRIPTION	REMARKS	QUA
1	545.210.800	Quick connector male 1/2"		2
2	541.223.502	Hose NSK13 (1/2") TL=3550 PF138 + PN138		1
3	541.223.500	Hose NSK13 (1/2") TL=3550 PF13890 + PN138		1
4	541.221.000	Hose NSK13 (1/2") TL=1050 PF13845 + PF138		1
5	532.251.902	Hydraulic motor OMP 100		1
6	543.210.210	Nipple BSP 1_2" x 1_2" 60deg		4
7	874.210.020	Copper washer 1_2		6
8	532.251.900	Hydraulic motor OMP 80		1



ITEM	PART NUMBER	DESCRIPTION	REMARKS	QUA
1	180018004	Cross and 4x circlip kit		2
2	151018134	Inner tube yoke		1
3	151018133	Outer tube yoke		1
4	1521981470700	T-series Outer tube		1
5	153190014	T-series Inner tube		1
6	141028423	Complete collar yoke		1
7	141028001	Complete Yoke 1 3/8"Z6		1
8	1422860777830	Complete shield T80		1
9	190000243	Roll pin for outer tube		1
10	190000271	Roll pin inner tube		1
11	190000358	DECAL - PTO INNER		1
12	190000359	DECAL - PTO OUTSIDE		1
	613.806.102	PTO Complete		