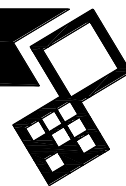


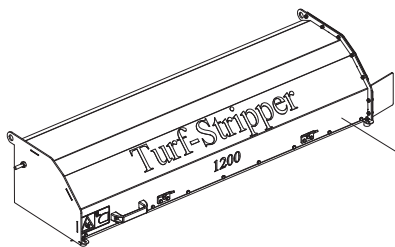
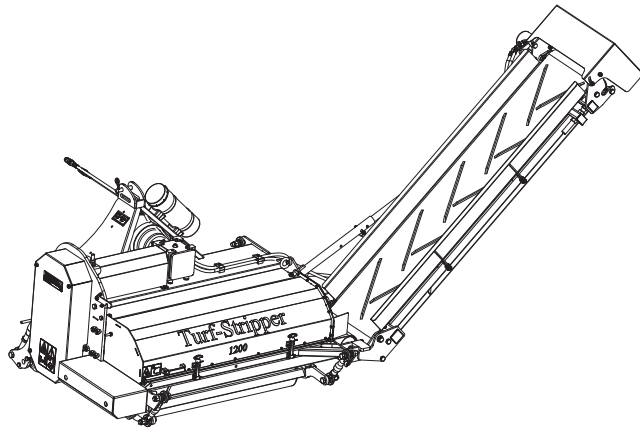
Turf-Stripper 1200



Version: 2201

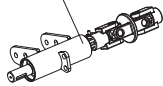


Kwekerijweg 8 | 3709JA | Zeist | The Netherlands |
T: +31 (0)306 933 227
E: redexim@redexim.com
W: www.redexim.com

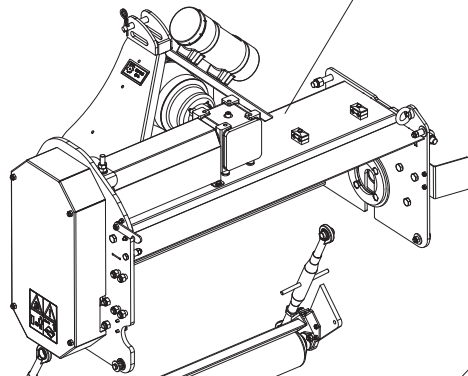


Page 04

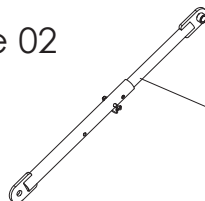
Page 03



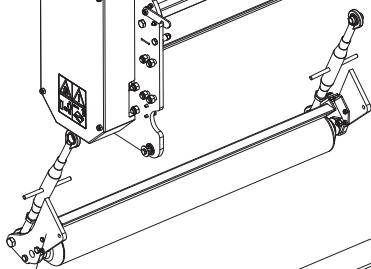
Page 02



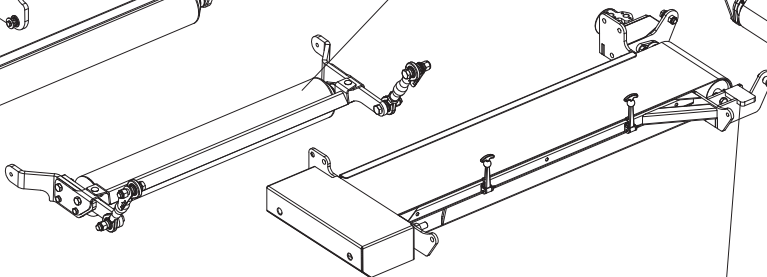
Page 05



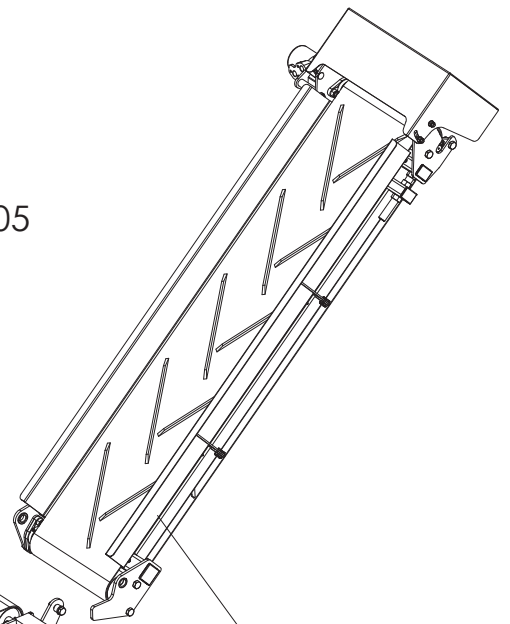
Page 10



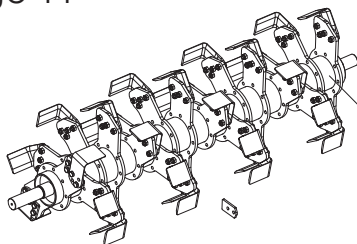
Page 11



Page 08 & 09



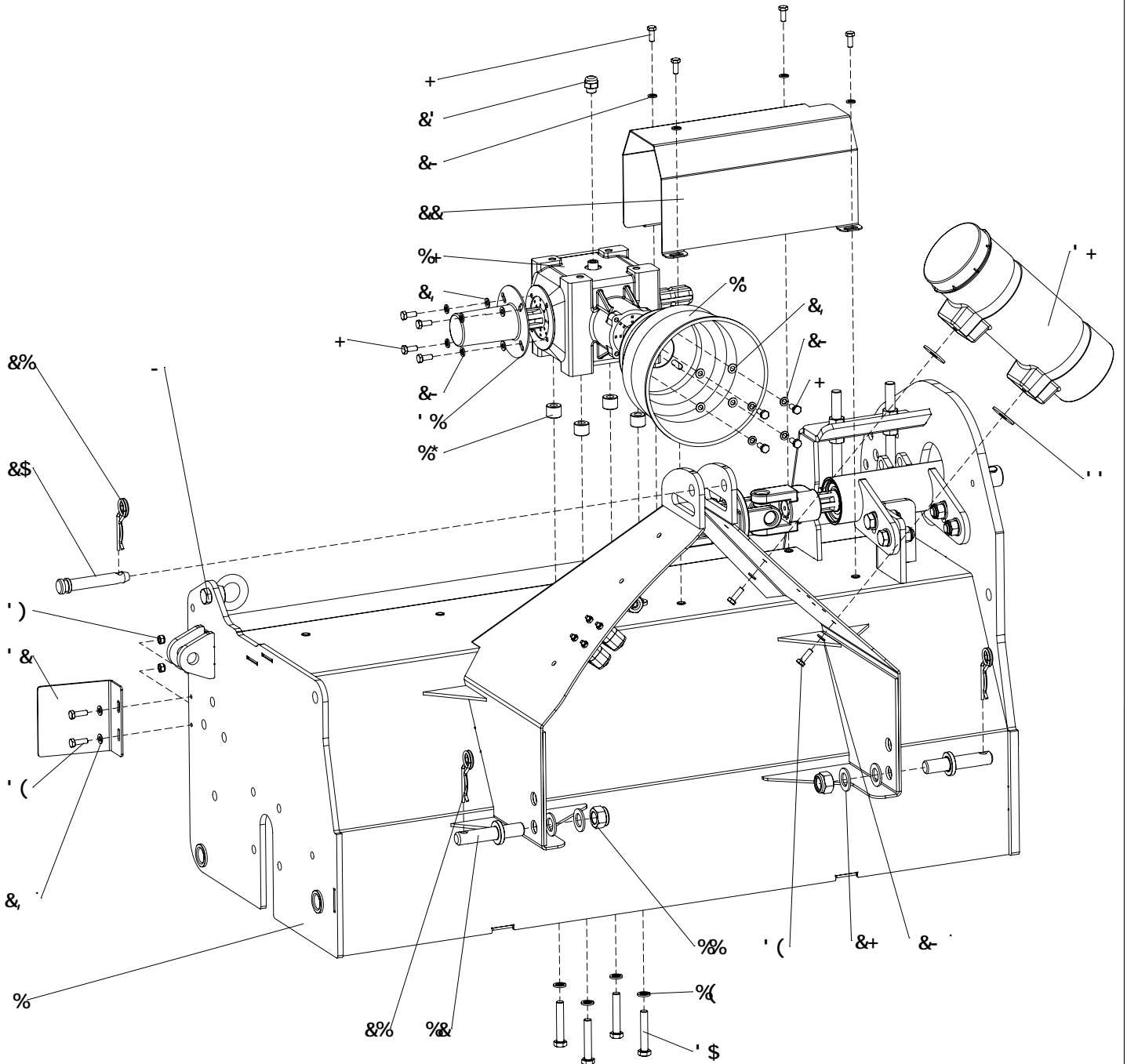
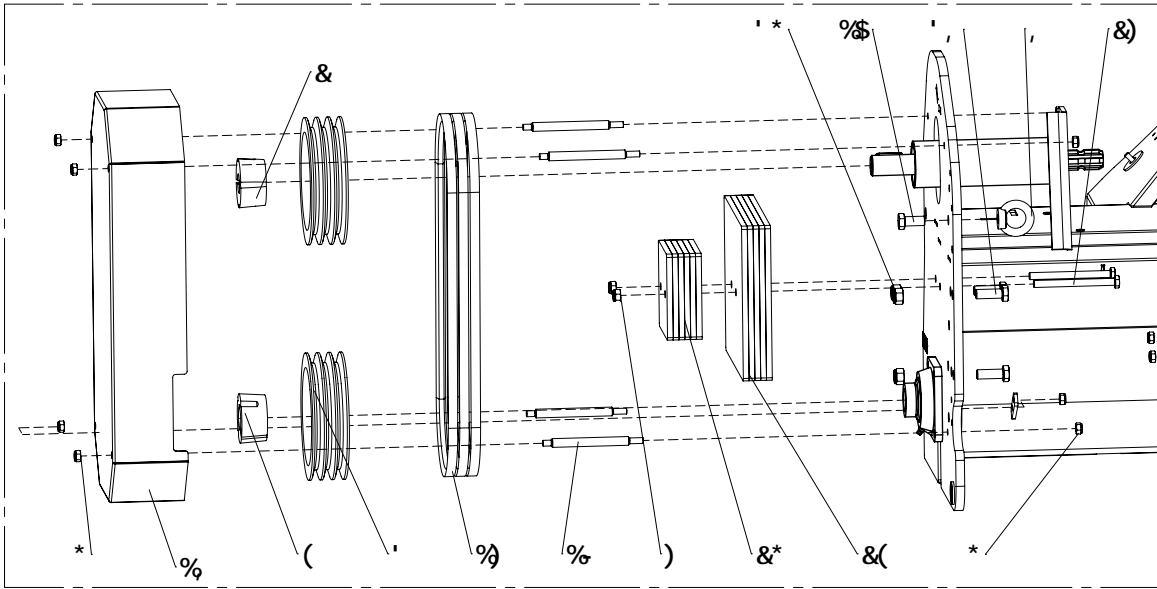
Page 06 & 07



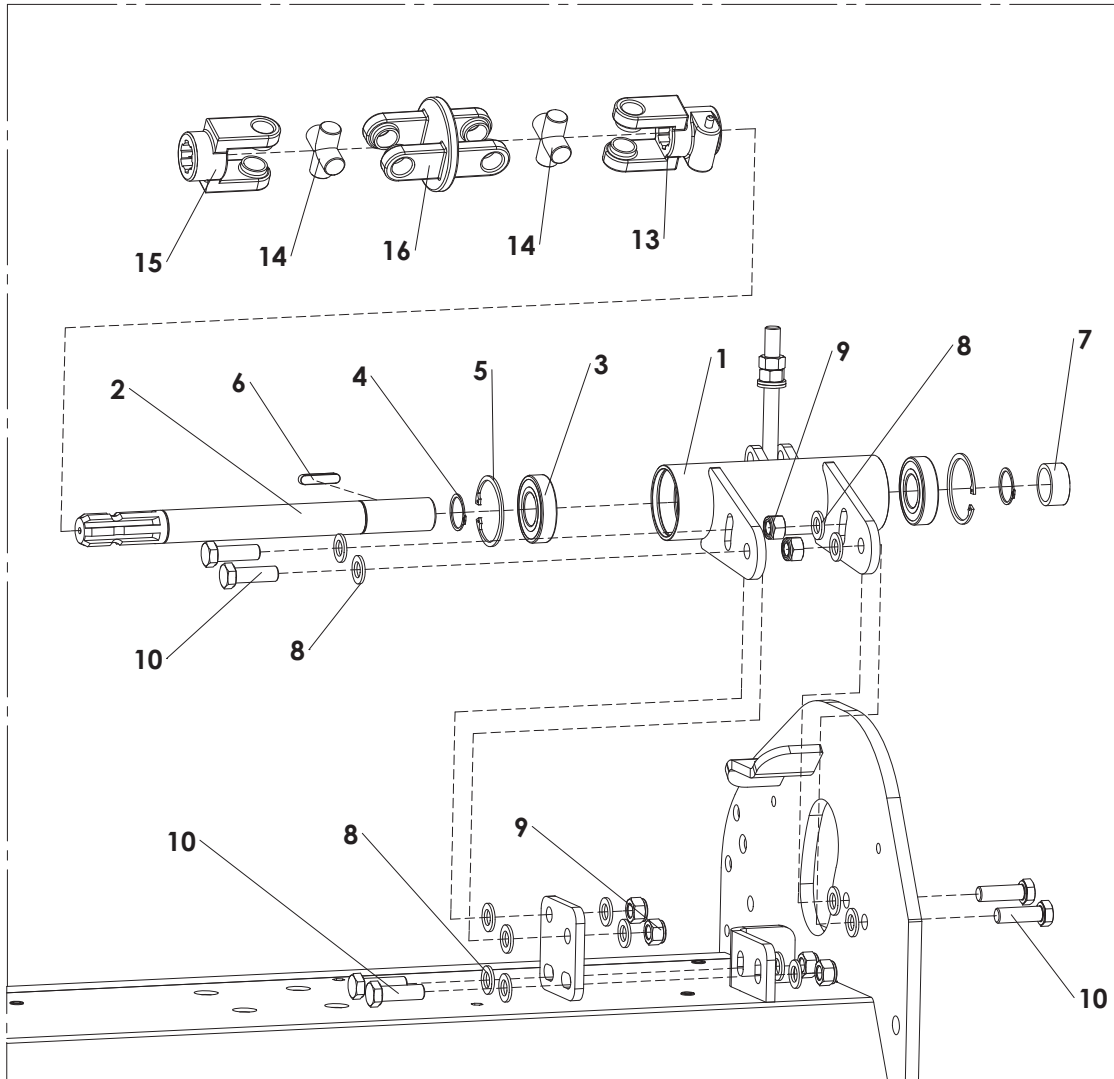
Page 12

Hydraulics
Decalls

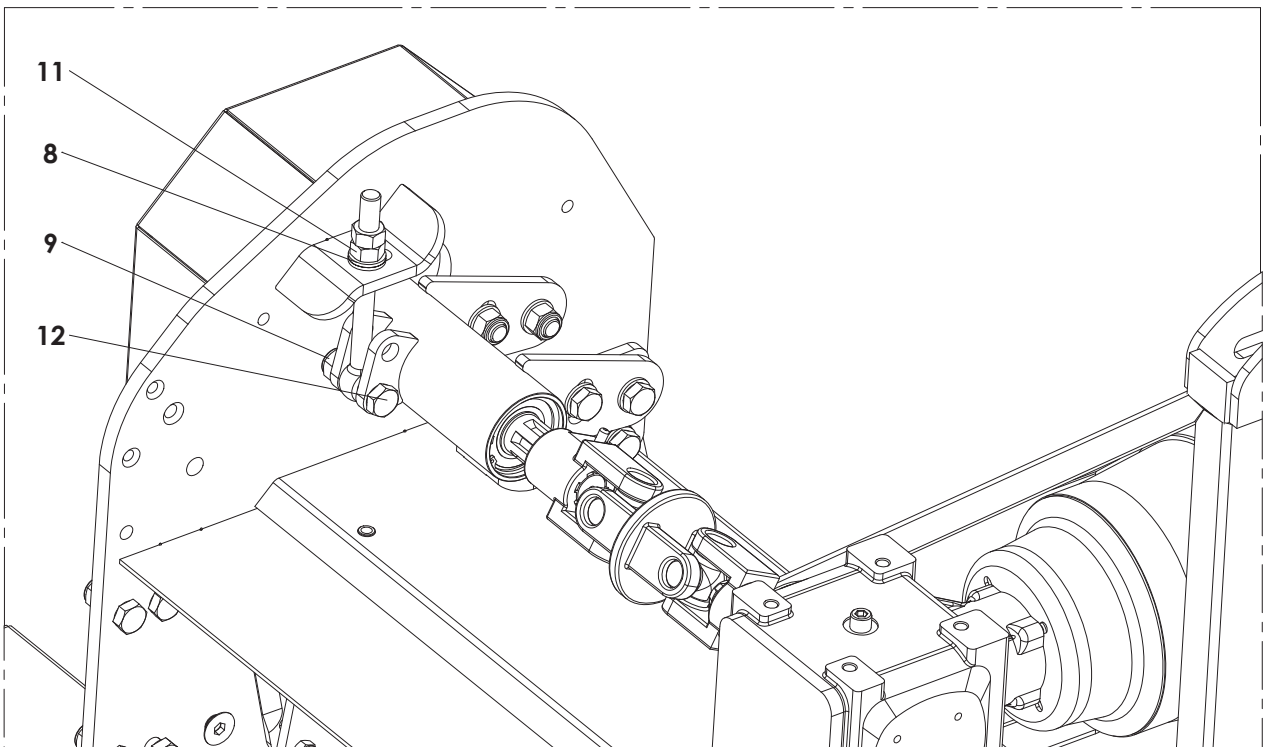
Page 14
Page 16



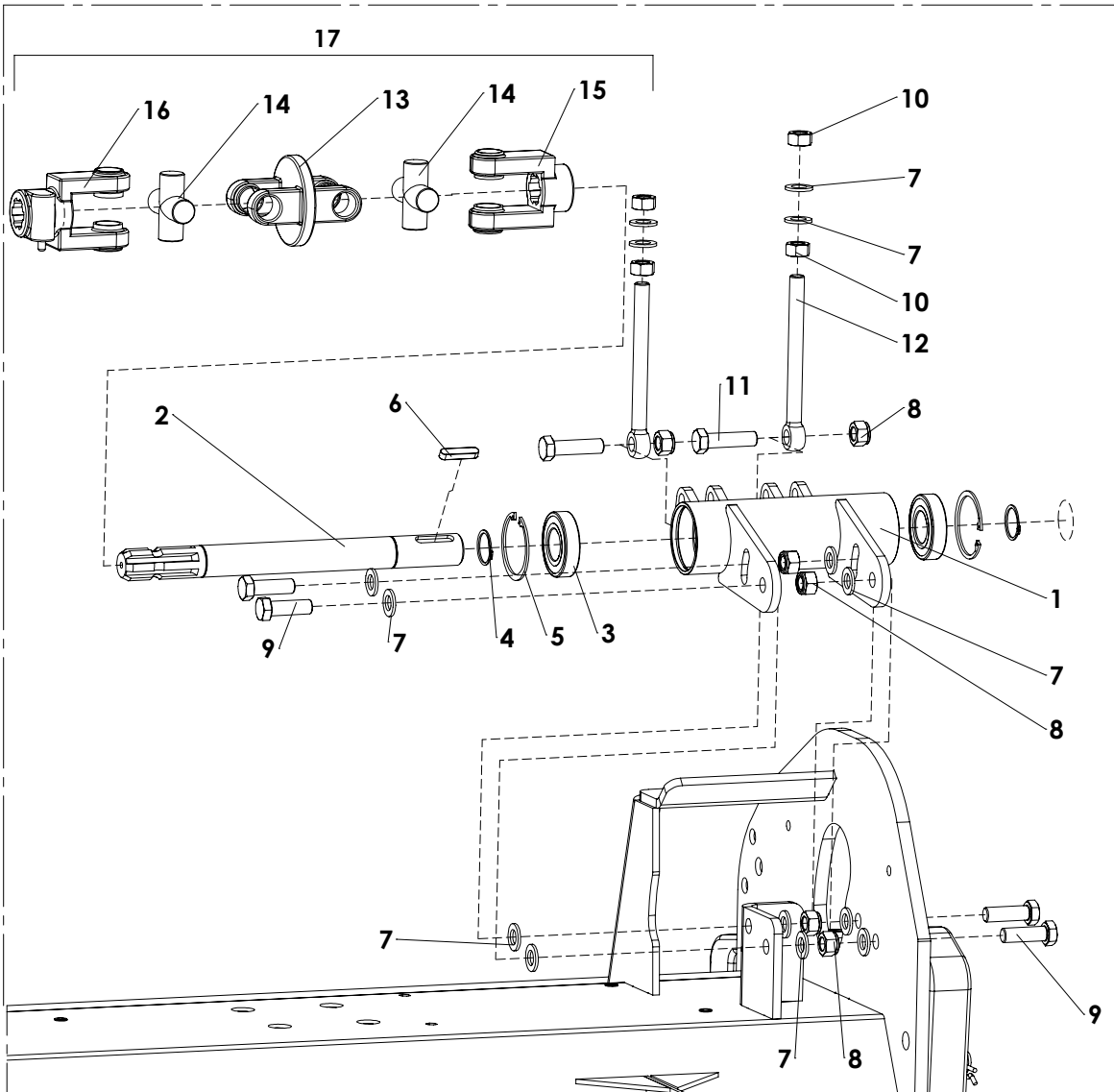
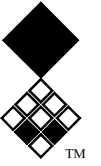
#9A	D5FHBI A 69F	8 9G7 F-DHC B	F9A 5F?G	E I 5
%	(- (" \$++ "% (A U]b zUa Y HG%&\$\$		%
&	* (, " &&") %+	HdYfcW_ &) %+' !' &a a		%
'	* (" \$&&" %&'	Di `YmGD6 &%&! 'H&) %+		&
(* (, (" \$&)" %+	HdYfcW_ &) %+' !' (\$a a		%
)	, ' \$ "%&\$ "%&\$	G\Z@W_ Bi hA %&! '€C %&) %&7 `Ugg%&\$"-		&
*	, ' \$ "%&\$ "%&\$	G\Z@W_ Bi hA %&! '€C %&) %&		,
+	, \$ (" \$, \$ "%&\$	6c hA , !' &\$! '€C (\$%+		%&
,	, &&" %* "\$ " * \$	@Z]b[`9mY `Bi hA %* !' 8-B) , &		&
-	, \$ (" %* "\$ &) \$	6c hA %* !' &) !' €C (\$%+		%
%\$, \$ (" %* "\$ ") \$	6c hA %* !' ") !' €C (\$%+		%
%%	, ' \$ "&&\$ "&&\$	G\Z@W_ Bi hA &&! '€C %&) %&		&
%&	&(- \$, , %	6c hA " !' Dc]b hD]b		&
%	* &- "%&\$ "%& &	DHC `7cj Yf7 ca Yf		%
%{	, ** "%&\$ "%&\$	Gd]b[`K Ug\YfA %&! '8-B %&+		(
%}	* (& "%+%") \$ \$	J!6Y h `LD6 %} \$ \$		'
%*	(\$&% "\$&\$	6i g\ `« %&)" #« &) `@1% ")		(
%+	* &&" %* ") & (7 ca YfH &+5 `&* +" \$&' %& z- &		%
%	() * "\$ * , "\$ (GUZYhmWcj Yf		%
%-	(+&" %} %+' \$	Gi X `« %} `&A %\$ `K @1% &		(
&\$) & "%& "%& &\$	Hcd @b_ D]b		%
&%) & (" \$) "%&\$	F!W]d `Fci bX) z8-B %&\$&('
&&	() * "\$ + "\$&%	7cj YfXf] Y `gUZh	: fca `gYf]U `bc . `< &%+ \$- &\$	%
	() * "\$&% "\$ ()	7cj YfXf] Y `gUZh	H `gYf]U `bc . `< &%+ \$- &\$	%
&') ' + "38\$ " " 6\$	6fYUh Yf3/8"		%
&((* , "&)" "%&\$	K Y] [\h)
&)	, \$&" %& "% (\$ \$	6c hA %&! ' % (\$! ' €C (\$%{		&
&*	(* , "%&\$ "% (K Y] [\hd UHY		*
&+	, * (" &&\$ "\$ \$	K Ug\YfA &&! '€C +\$, -		(
&,	, * (" \$, "\$ \$ \$	K Ug\YfA , !' €C +\$, -		%\$
&-	, ** "\$, "\$&\$	Gd]b[`K Ug\YfA , !' 8-B %&+`		%{
' \$, \$&" %& "\$ + \$ \$	6c hA %&! ' + \$! ' €C (\$%{		(
' %	* &- "%& " "%& ,	7cj YfDHC `G\UZh		%
' &	(* , "\$ " % (" \$; i]XY `g ddcfh`cb[%
' '	, * (" % ("\$ \$ " %	@]f[Y `k Ug\YfA % (!' 8-B - \$&%		&
' (, \$ (" \$, "\$ &) \$	6c hA , !' &) !' €C (\$%+		(
')	, ' \$ "\$, "\$ \$, \$	G\Z@W_ Bi hA , !' €C %&) %&		&
' *	, ' \$ "%* "\$ "%&\$	G\Z@W_ Bi hA %* "%&\$ - !' €C %&) %&		'
' +	(((" , "\$ " "%&\$	Hcd `Vcl `7ca d YHY		%
' ,	, \$ (" %* "\$ () \$	6c hA %* !' () !' €C (\$%+		'



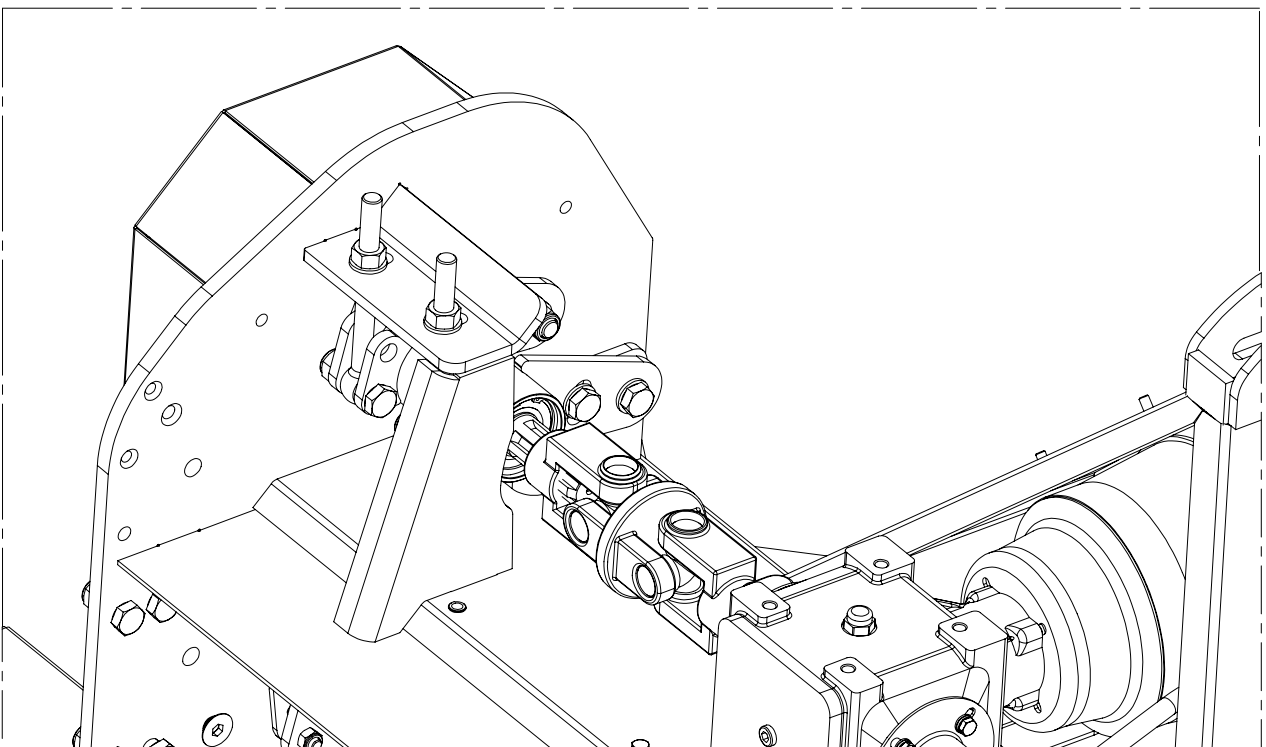
ASSEMBLED



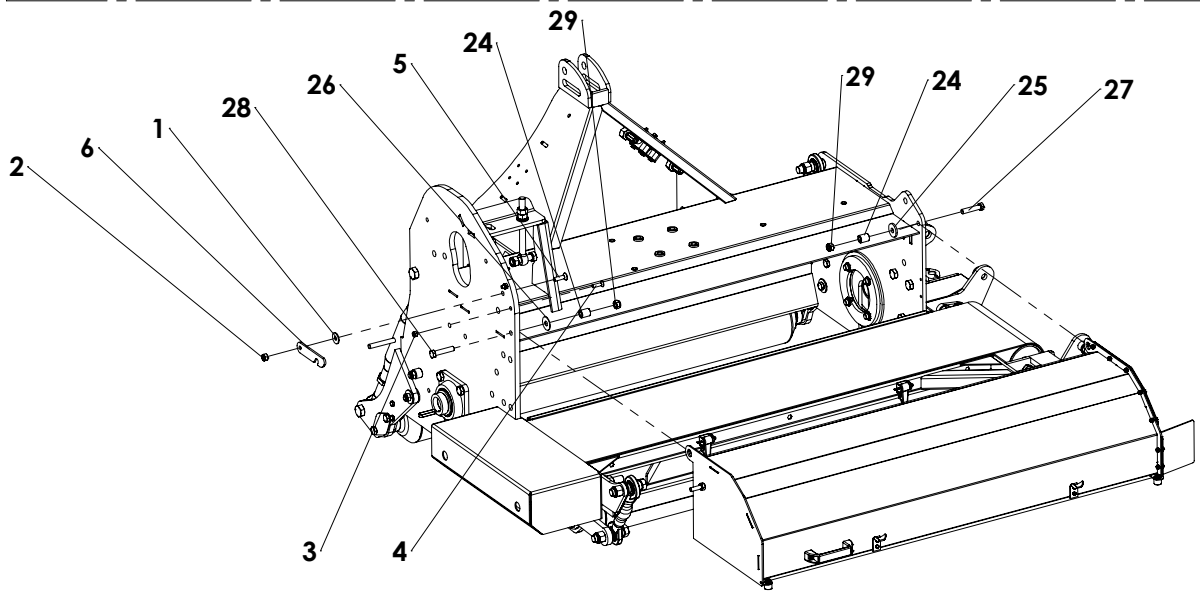
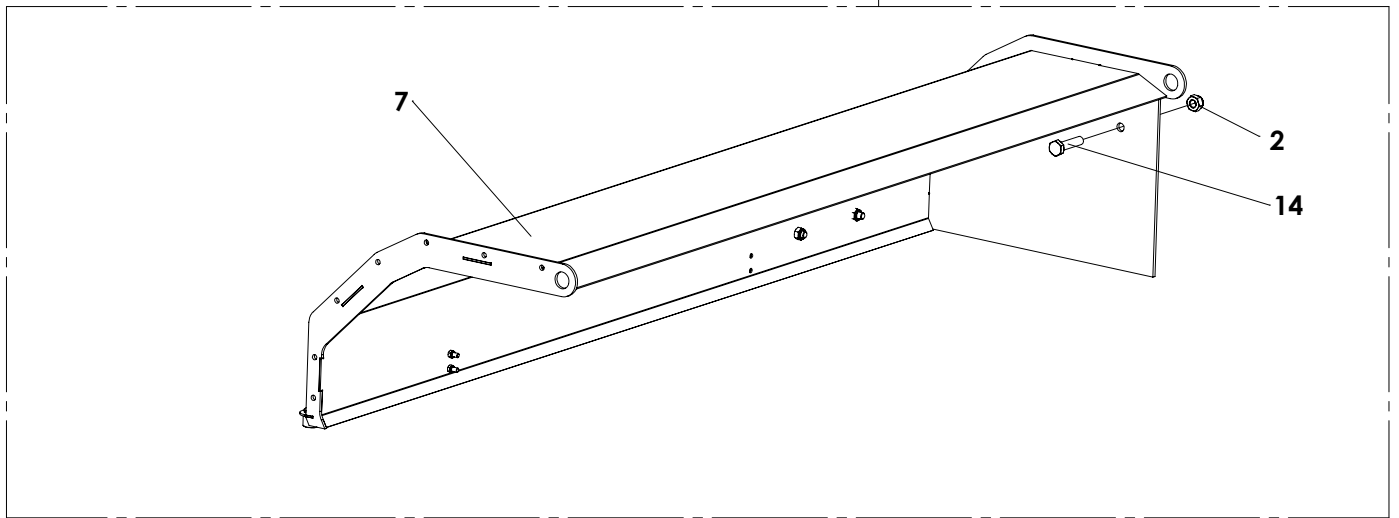
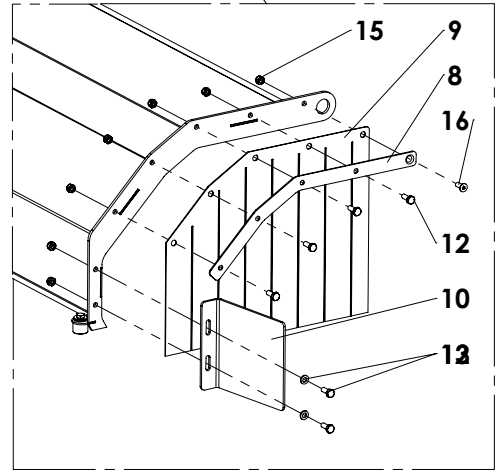
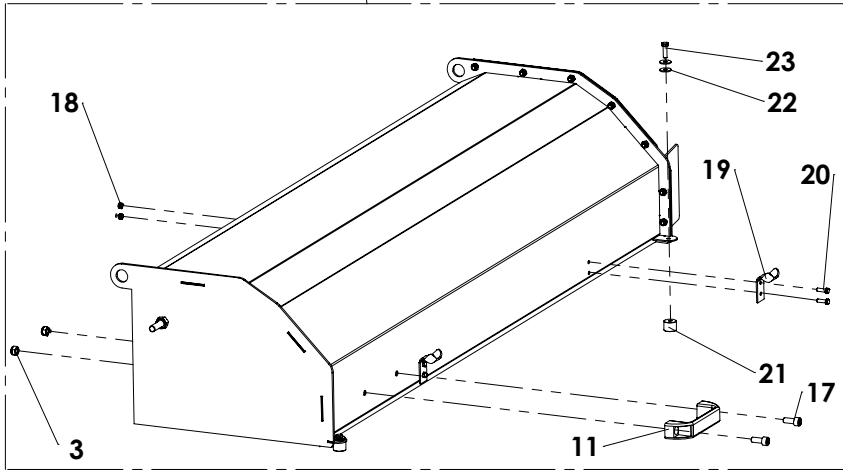
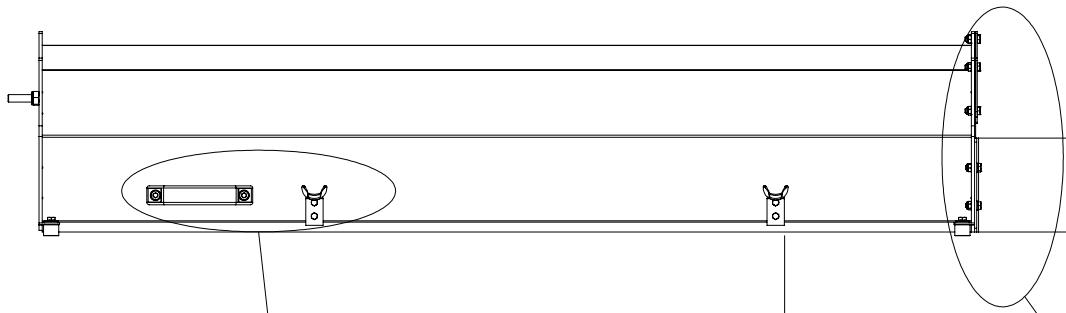
ITEM	PART NUMBER	DESCRIPTION	REMARKS	QUA
1	478.241.240	Bearing support		1
2	420.354.000	Splined shaft 1-3/8" Z6 - Ø35h9 L=400		1
3	713.350.170	Bearing 6207-2RS		2
4	870.035.160	Circlip d=35 - DIN 471		2
5	872.072.250	Circlip D=72 - DIN 472		2
6	884.100.450	Key 10x8x45 - DIN 6885		1
7	406.360.202	Spacer L=20	Removed on later models	1
8	864.160.030	Washer M16 - ISO 7089		16
9	830.160.160	Self Lock Nut M16 - ISO 10511		7
10	804.160.500	Bolt M16 x 50 - ISO 4017		6
11	826.160.160	Nut M16 - DIN 934		2
12	802.160.600	Bolt M16 x 60 - ISO 4014		1
13	141024001	Splined push pin yoke		1
14	180014130	Cross and 4x circlip kit		2
15	151014057	Splined yoke		1
16	151014483	Double yoke		1



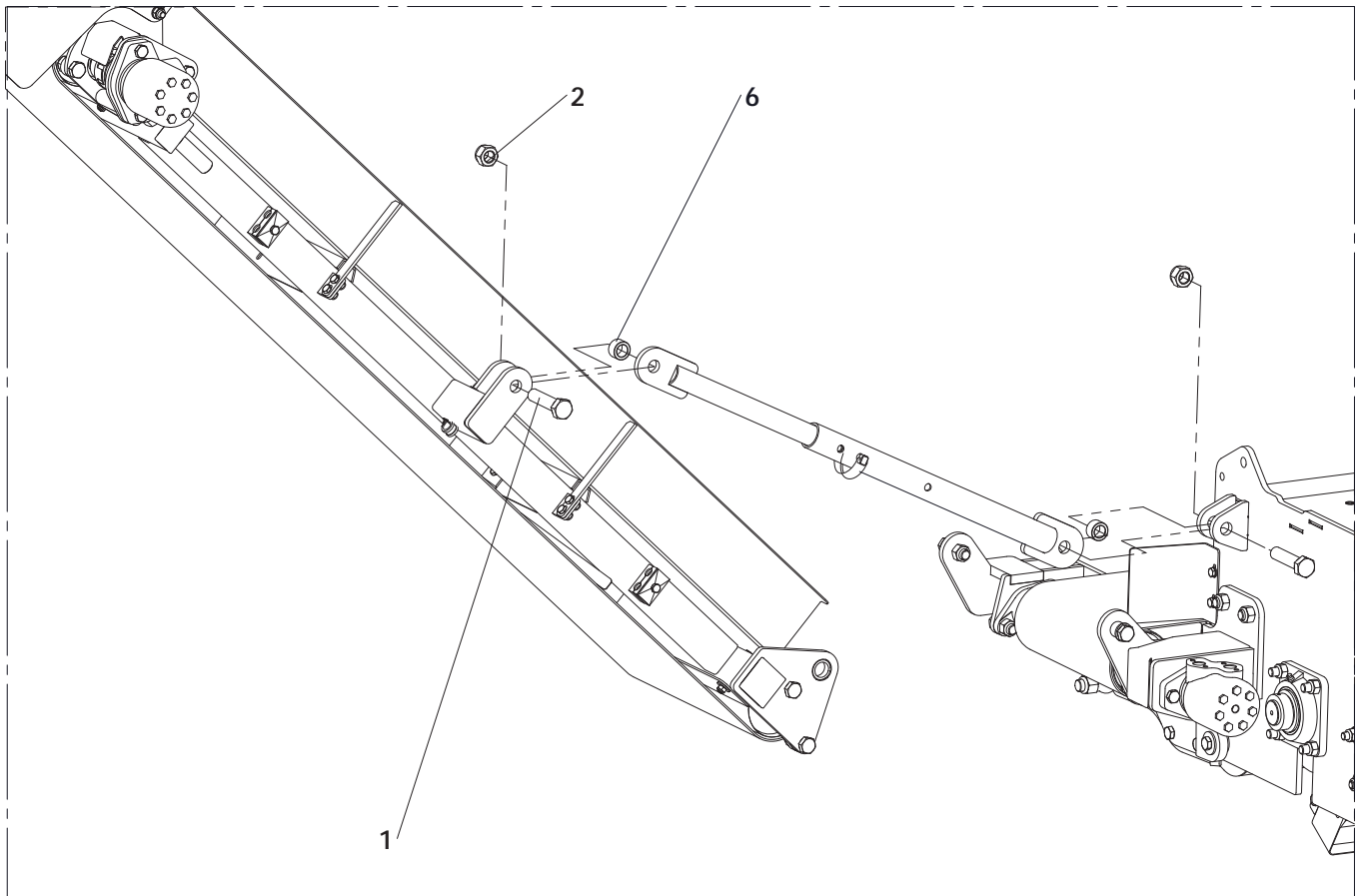
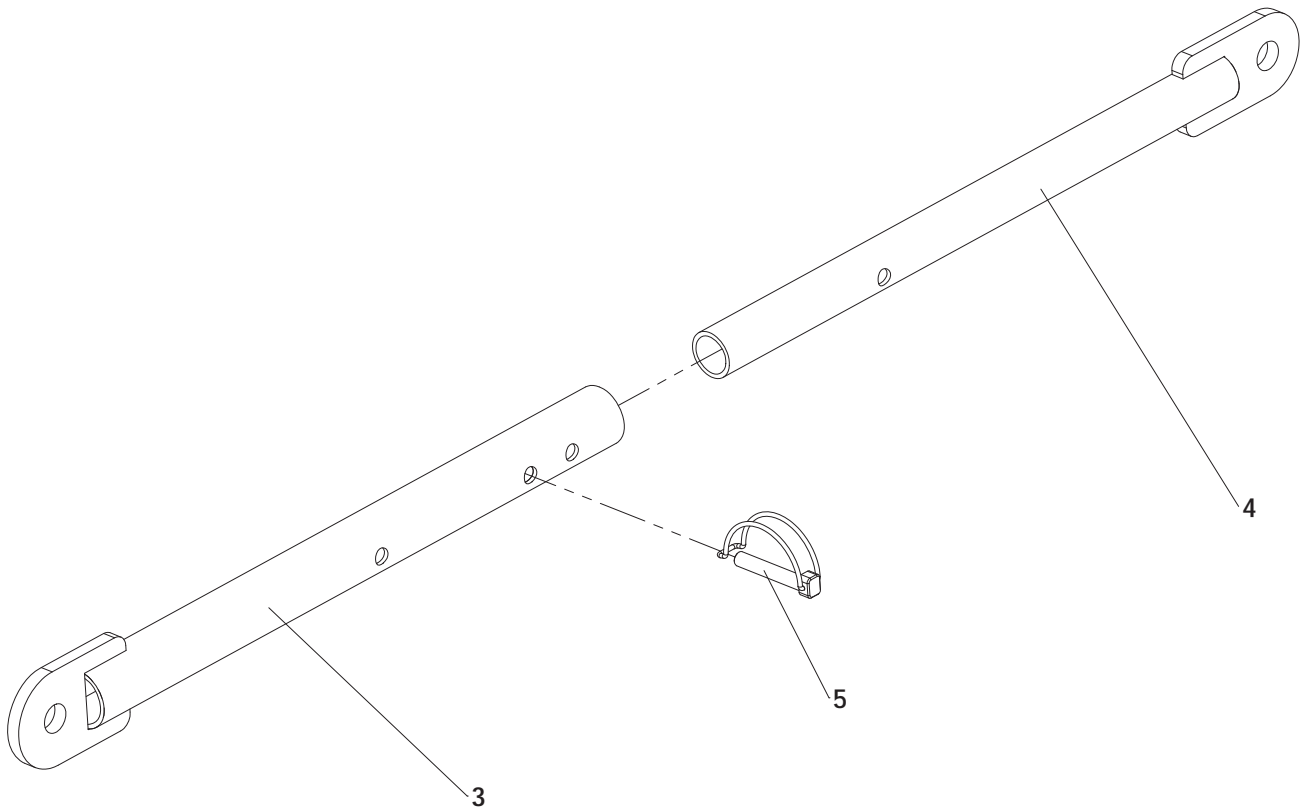
ASSEMBLED



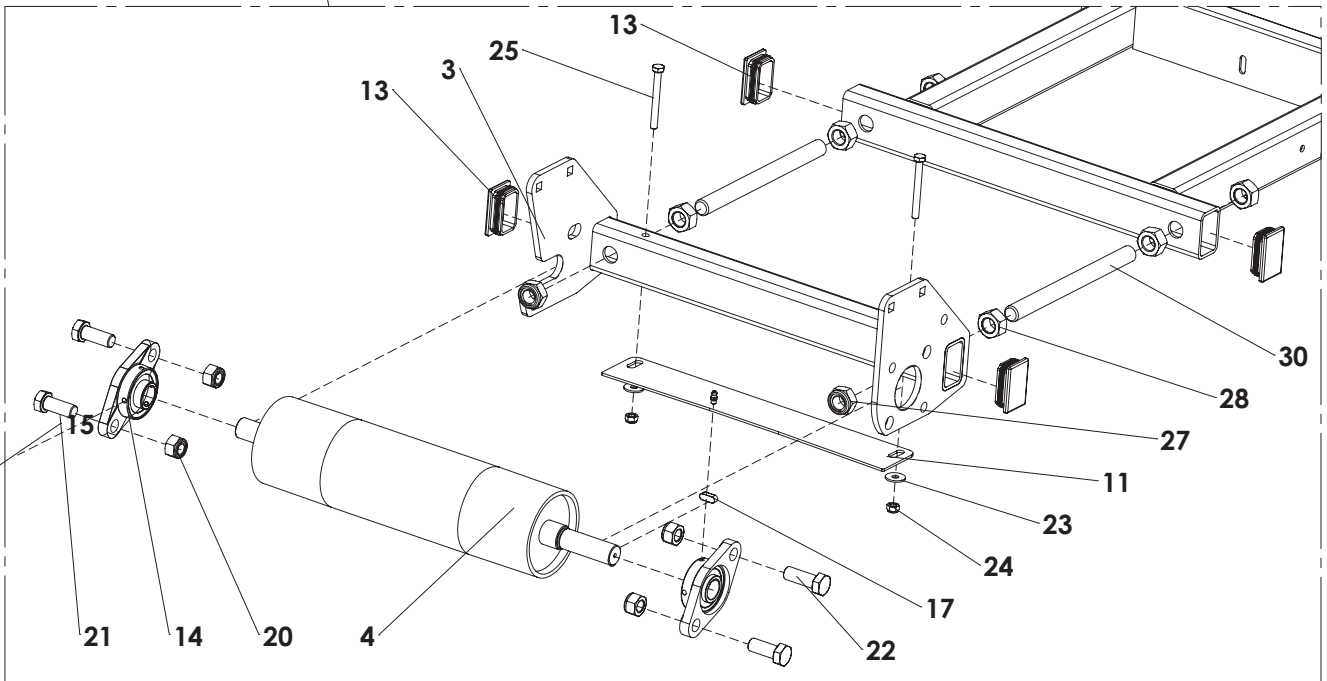
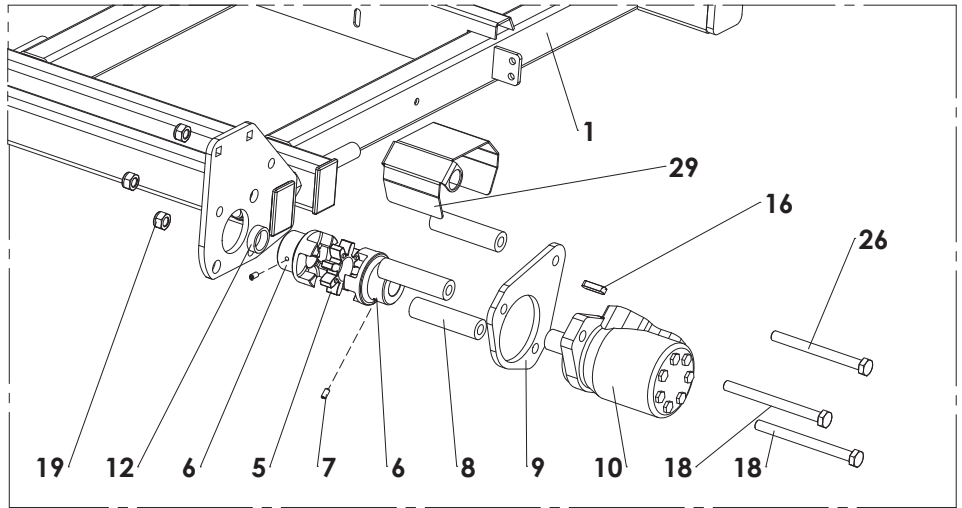
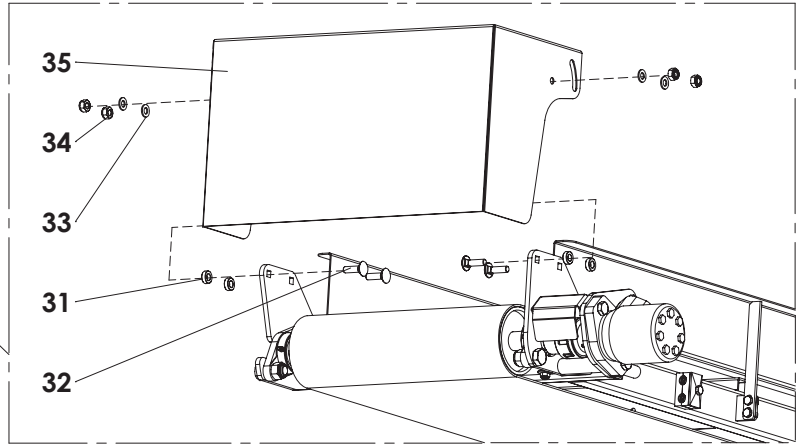
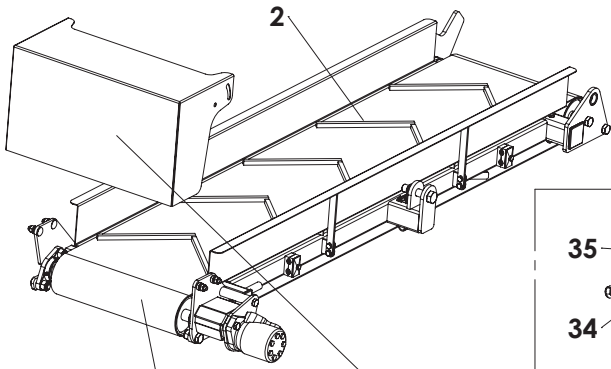
ITEM	PART NUMBER	DESCRIPTION	REMARKS	QUA
1	478.241.242	Bearing support		1
2	420.354.000	Splined shaft 1-3/8" Z6 - Ø35h9 L=400		1
3	713.350.170	Bearing 6207-2RS		2
4	870.035.160	Circlip d=35 - DIN 471		2
5	872.072.250	Circlip D=72 - DIN 472		2
6	884.100.450	Key 10x8x45 - DIN 6885		1
7	864.160.030	Washer M16 - ISO 7089		14
8	830.160.160	Self Lock Nut M16 10.9 - ISO 10511		6
9	804.160.500	Bolt M16 x 50 - ISO 4017		4
10	826.160.160	Nut M16 - DIN 934		4
11	802.160.600	Bolt M16 x 60 - ISO 4014 - 10.9		2
12	822.161.800	Eye bolt M16x180 Din444 LB (full thread)		2
13	151014483	Double yoke		1
14	180014130	Cross and 4x circlip kit		2
15	151014057	Splined yoke		1
16	141024001	Splined push pin yoke		1
17	613.613.520	Connecting joint	Contains Items 13-16	1



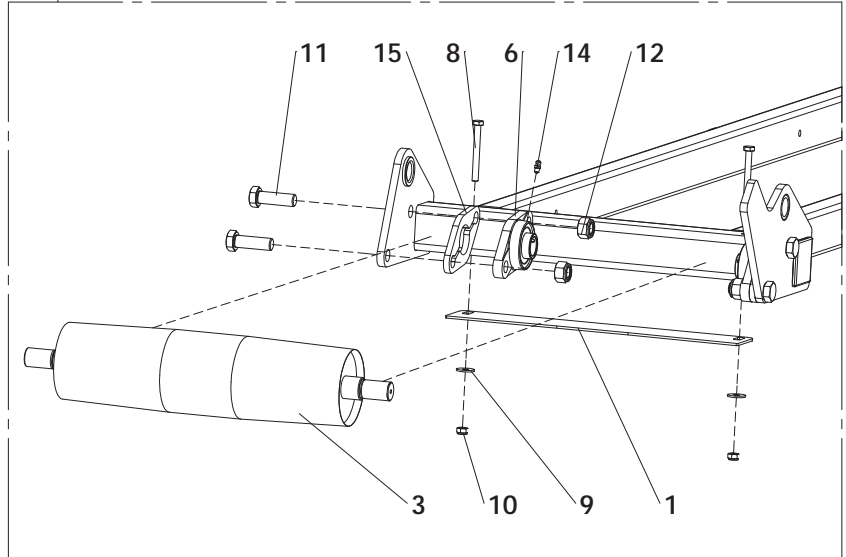
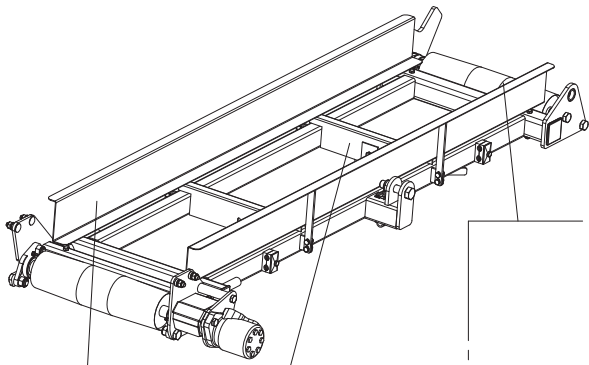
ITEM	PART NUMBER	DESCRIPTION	REMARKS	QUA
1	864.100.031	Large washer M10 - DIN 9021		1
2	830.100.100	Self Lock Nut M10 - ISO 10511		2
3	830.080.080	Self Lock Nut M8 - ISO 10511		4
4	816.080.300	Bolt M8 x 30 - DIN 7991		2
5	816.100.350	Bolt M10 x 35 - DIN 7991		1
6	464.051.390	Lock strip		1
7	456.124.330	Weld assy cover		1
8	468.021.240	Contra strip		1
9	446.023.200	Rubber gate		1
10	468.031.290	Guide support		1
11	444.151.250	Handle		1
12	804.060.160	Bolt M6 x 16 - ISO 4017		15
13	864.060.030	Washer M6 - ISO 7089		2
14	804.100.450	Bolt M10 x 45 - ISO 4017		1
15	830.060.060	Self Lock Nut M6 - ISO 10511		18
16	816.060.160	Bolt M6 x 16 - DIN 7991		1
17	814.080.200	Bolt M8 x 20 - DIN 912		2
18	830.050.050	Self Lock Nut M5 - ISO 10511		4
19	590.650.000	Bracket for latch	with rubber latch (see page 9)	2
20	804.050.160	Bolt M5 x 16 - ISO 4017		4
21	444.150.202	Stop		2
22	864.060.031	Large washer M6 - DIN 9021		4
23	804.060.200	Bolt M6 x 20 - ISO 4017		2
24	402.120.250	Distance bush Ø20/Ø12 L=25		2
25	412.130.045	Distance washer		1
26	412.130.015	Distance washer		1
27	802.120.550	Bolt M12 x 55 - ISO 4014 - 10.9		1
28	802.120.600	Bolt M12 x 60 - ISO 4014		1
29	830.120.120	Self Lock Nut M12 - ISO 10511 Class 10.9		2



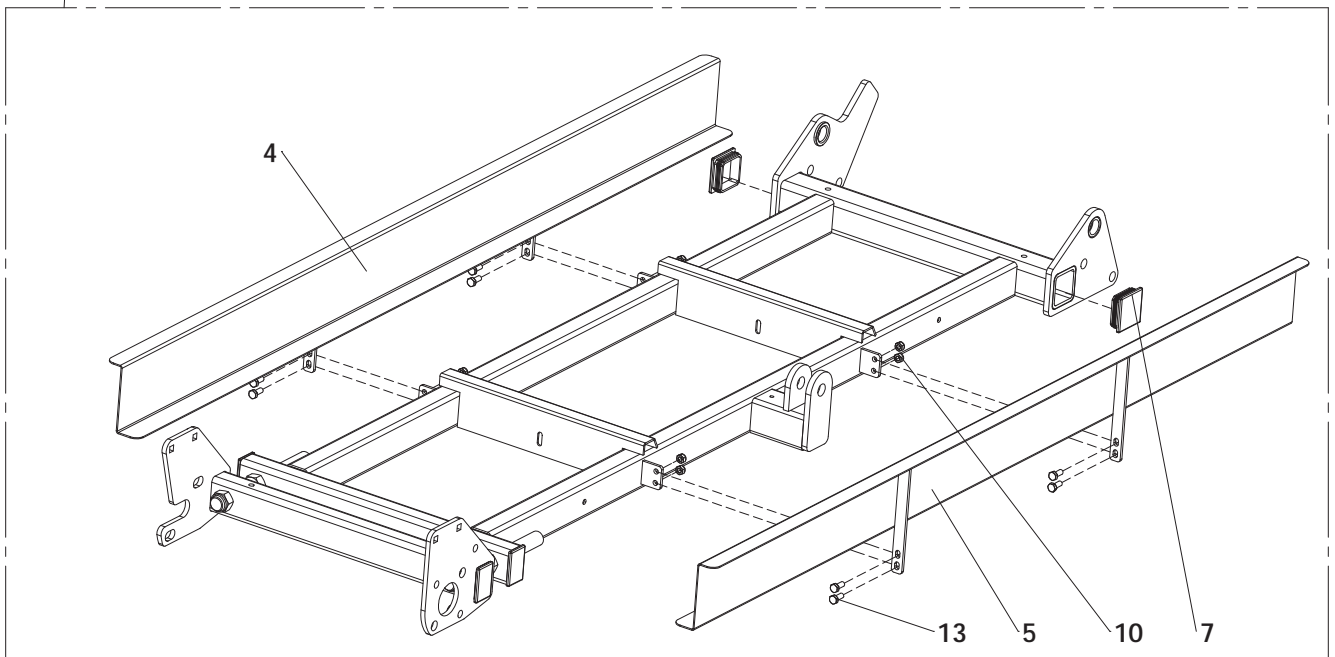
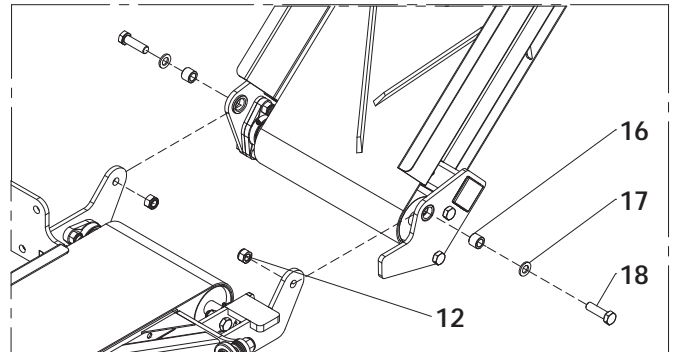
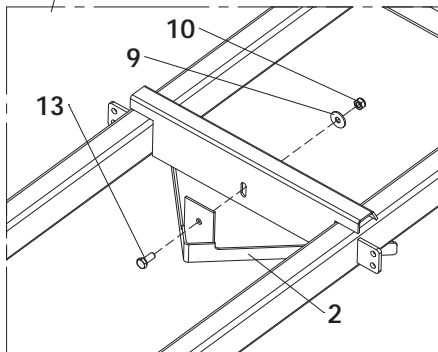
ITEM	PART NUMBER	DESCRIPTION	REMARKS	QUA
1	802.200.850	Bolt M20 x 85 - ISO 4014		2
2	830.200.200	Self Lock Nut M20 - ISO 10511		2
3	476.042.565	Telescopic rod outside		1
4	476.042.560	Telescopic rod inside		1
5	523.100.700	Pipe linch pin Ø10		1
6	406.200.180	Distance bush Ø30/Ø20 L=18		2



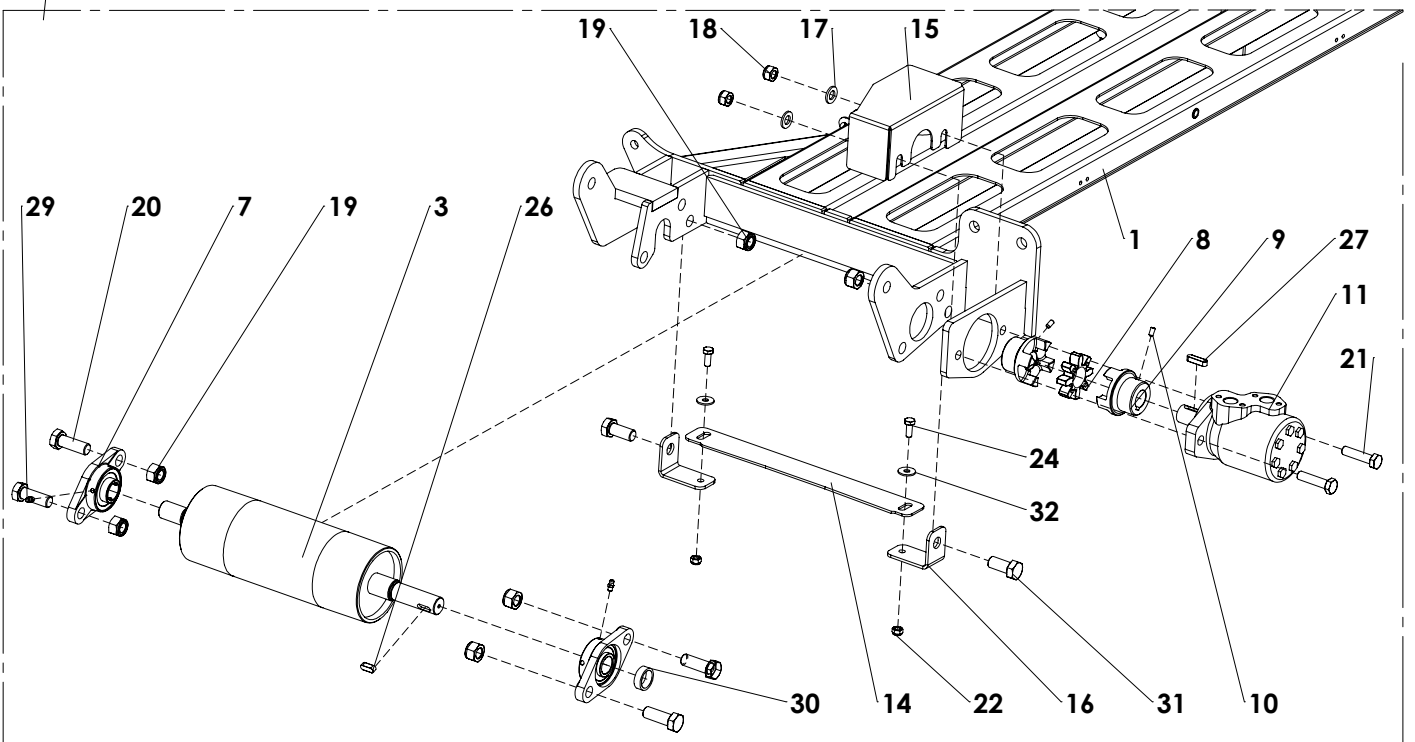
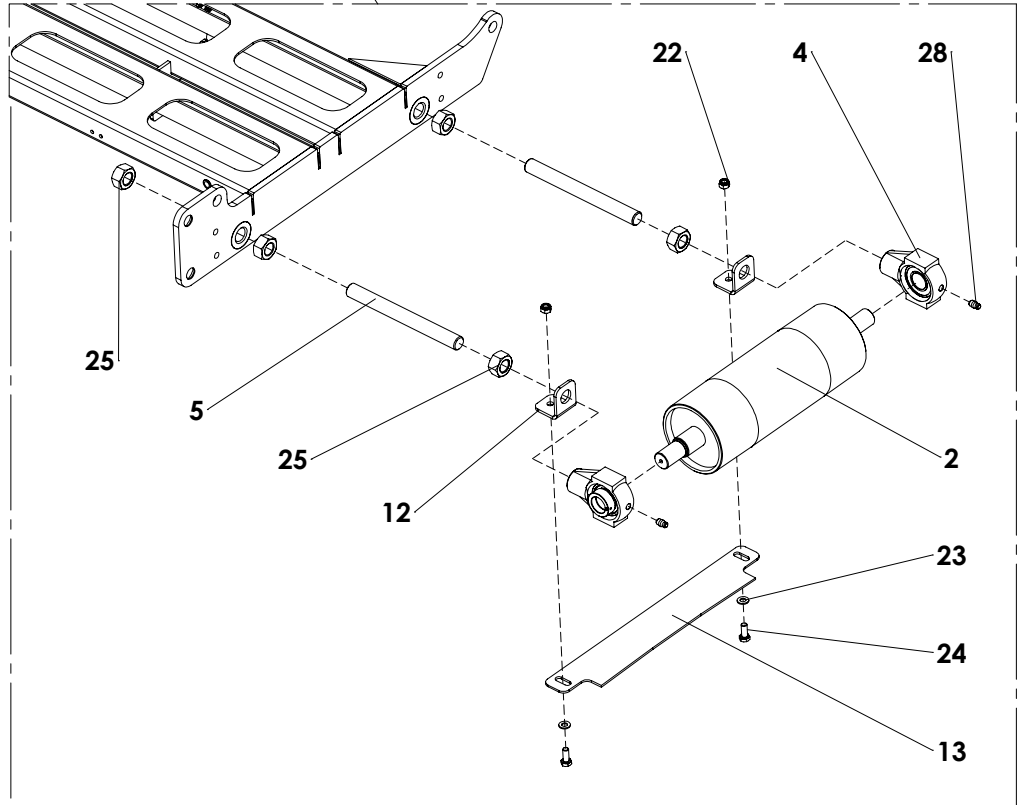
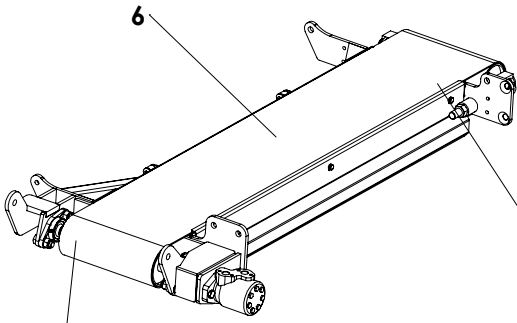
ITEM	PART NUMBER	DESCRIPTION	REMARKS	QUA
1	494.540.919	Frame conveyor belt		1
2	492.119.182	Conveyer belt L=1800	From SN H215001	1
	492.119.180	Conveyor belt L=1800	Till SN H215001	1
3	462.185.520	Transport belt spanner frame		1
4	488.011.055	Driver roller L=400		1
5	665.650.200	Coupling Rubber EGE-2-RP 92° Shore		1
6	665.250.520	Coupling half A2825 Cast Iron		2
7	818.060.120	Set screw M6 x 12 - DIN 916		2
8	406.120.950	Distance bush Ø12.5/Ø25 L=95		3
9	468.082.170	Motor strip		1
10	532.251.870	Hydraulic motor OMP 25		1
11	468.034.004	Scraper L=400 compact		1
12	406.250.100	Distance bush Ø32/Ø25 L=10		1
13	892.600.020	Plastic Stop 60x40		4
14	742.250.360	Bearing UCFL 205		2
15	880.060.100	Grease nipple M6 DIN 71412A		2
16	884.080.320	Key 8x7x32 - DIN 6885		1
17	884.080.220	Key 8x7x22 - DIN 6885		1
18	802.121.400	Bolt M12 x 140 - ISO 4014		2
19	830.120.120	Self Lock Nut M12 - ISO 10511		3
20	830.160.160	Self Lock Nut M16 - ISO 10511		4
21	804.160.400	Bolt M16 x 40 - ISO 4017		3
22	804.160.450	Bolt M16 x 45 - ISO 4017		1
23	864.080.024	Large washer M8 - DIN 9021		2
24	830.080.080	Self Lock Nut M8 - ISO 10511		2
25	802.080.750	Bolt M8 x 75 - ISO 4014		2
26	802.121.300	Bolt M12 x 130 - ISO 4014		1
27	830.200.200	Self Lock Nut M20 Din 985 h=17		2
28	826.200.200	Nut M20 - DIN 934		6
29	468.031.240	Cover motor		1
30	852.202.500	Threaded Rod M20 L=250 DIN 975		2
31	406.110.070	Distance bush Ø20/Ø10.5 L=7		4
32	820.100.350	MH Bolt M10 x 35 ISO 8677		4
33	864.100.030	Washer M10 - ISO 7089		4
34	830.100.100	Self Lock Nut M10 - ISO 10511		4
35	468.035.424	Flow cover		1



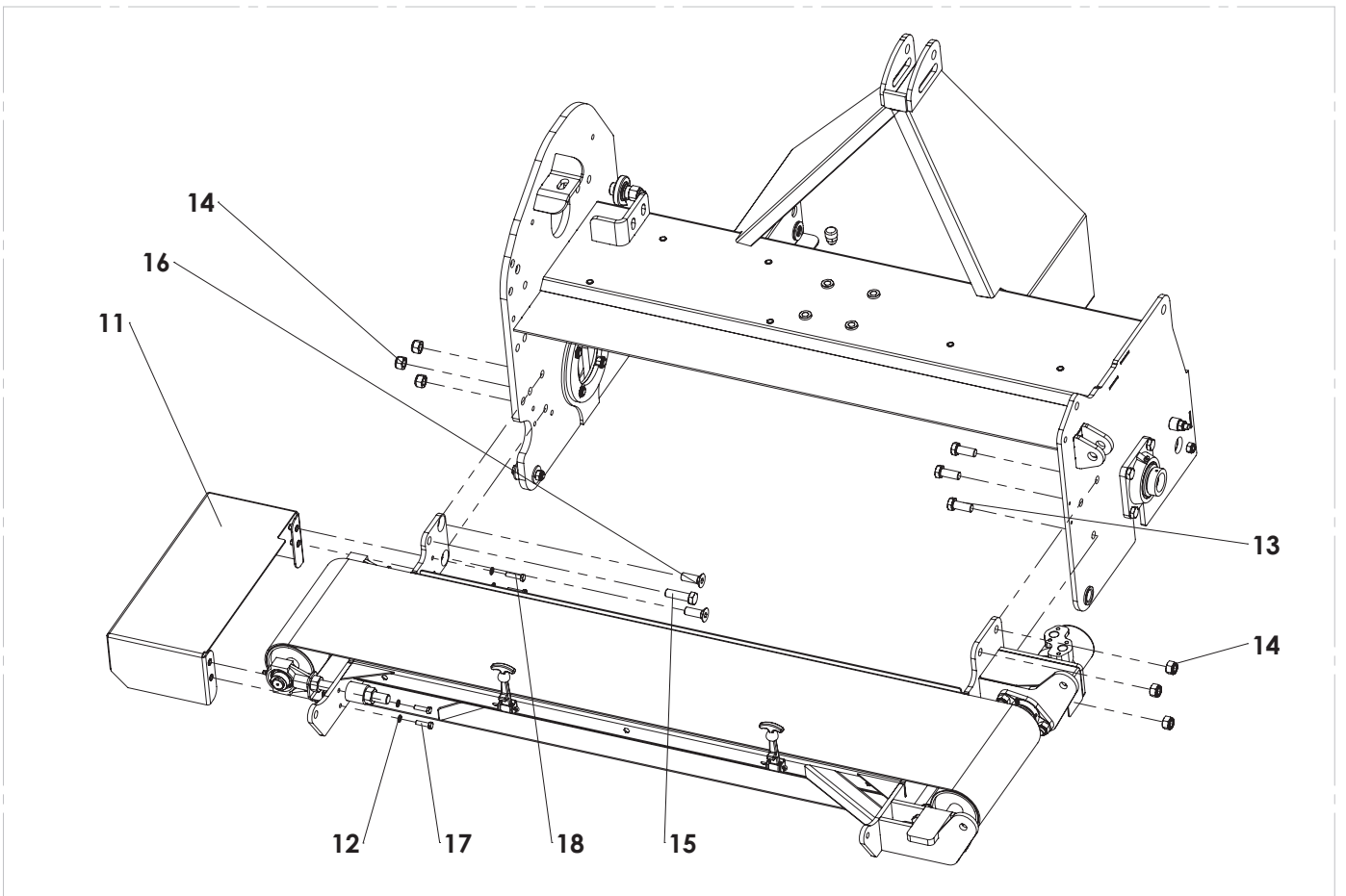
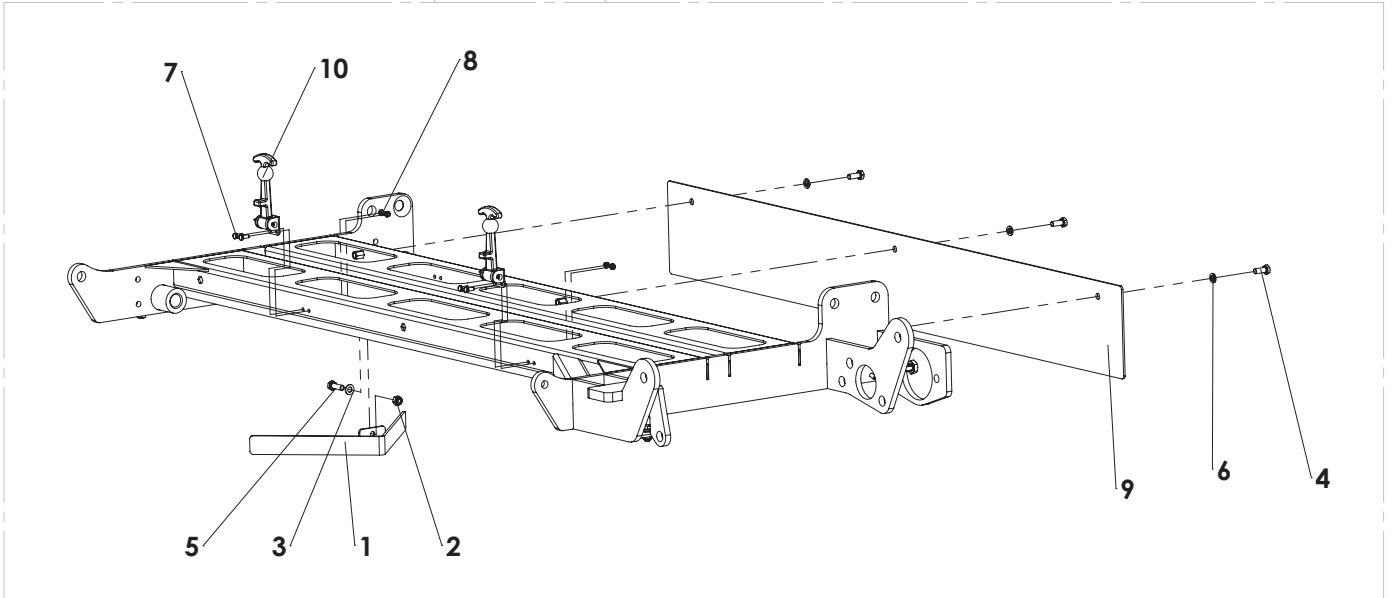
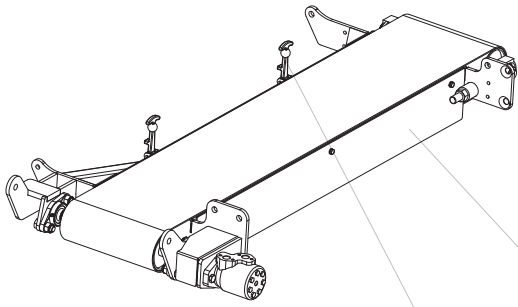
Connection with fixed belt



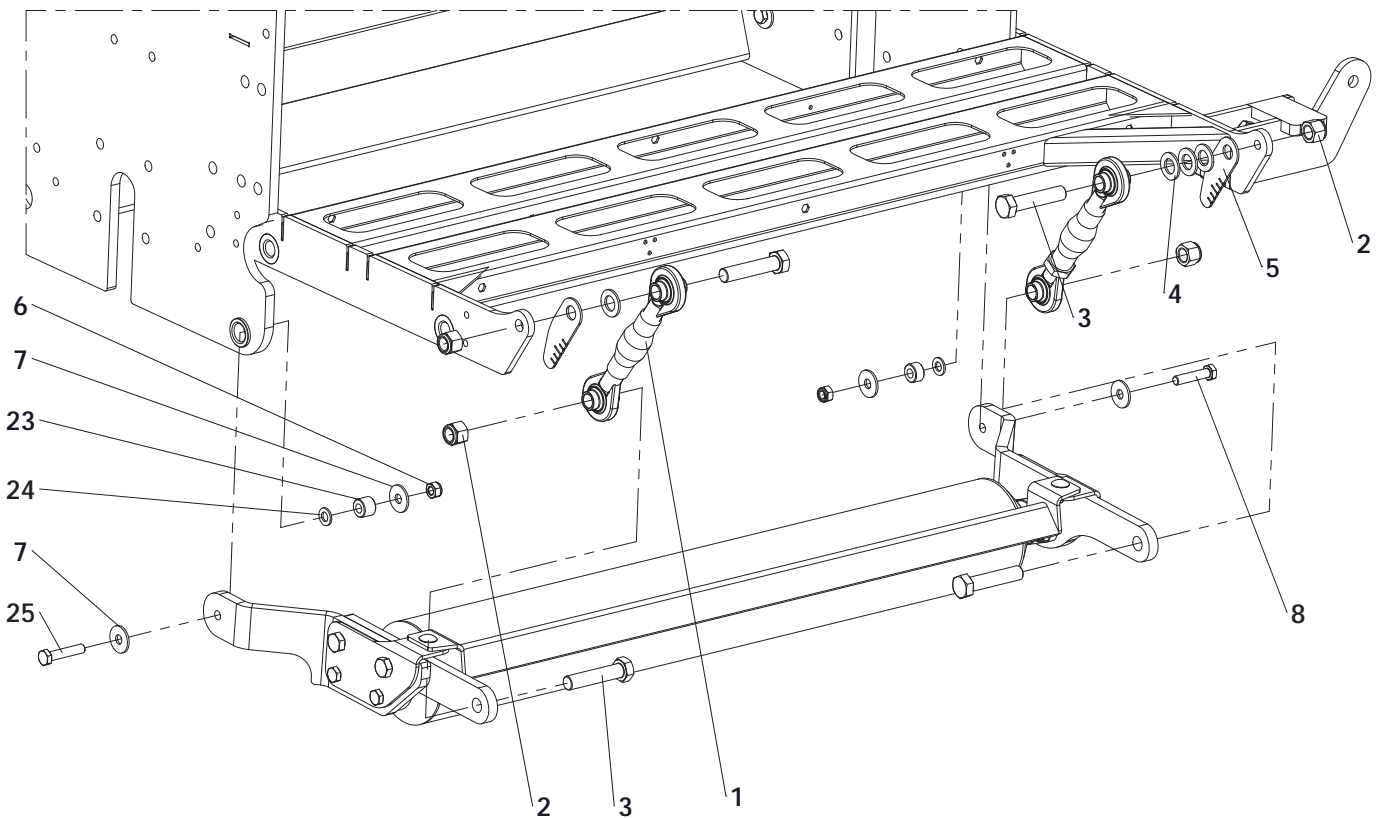
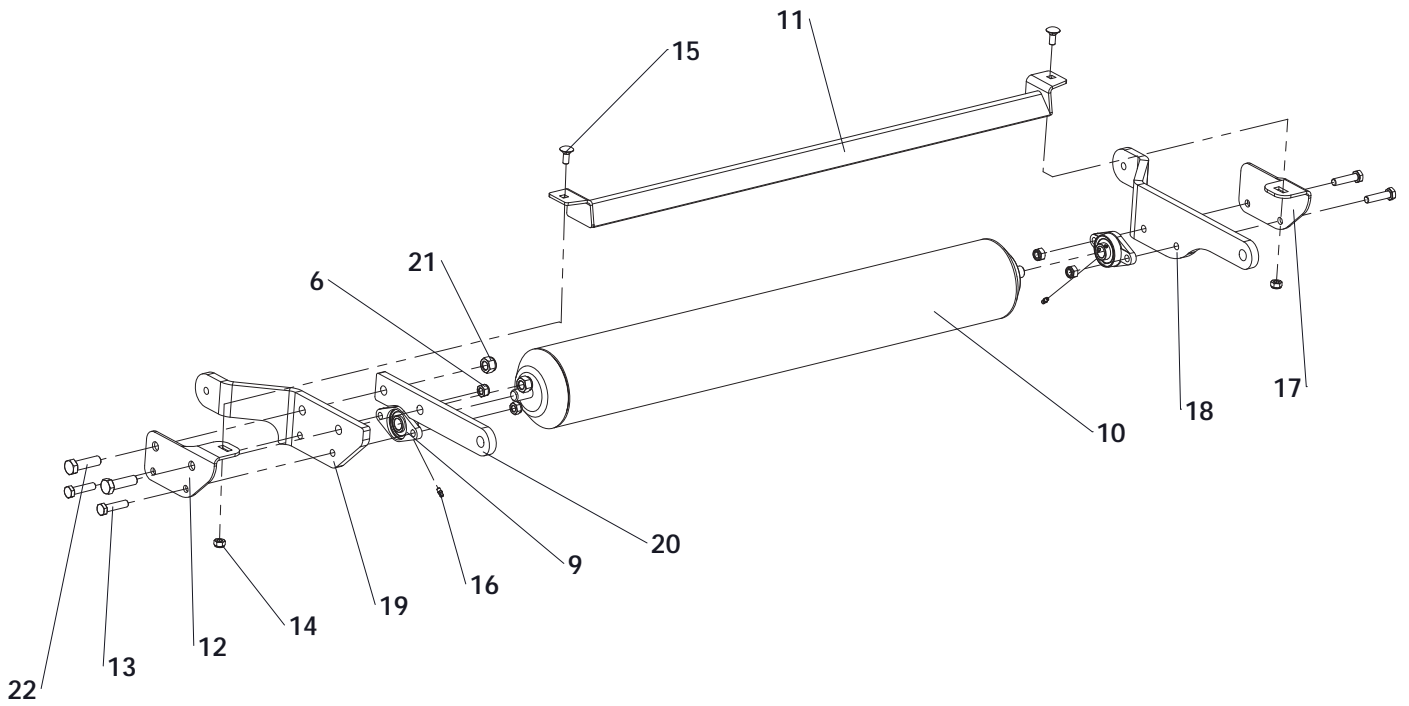
ITEM	PART NUMBER	DESCRIPTION	REMARKS	QUA
1	468.034.004	Scraper L=400 compact		1
2	470.034.000	Scraper		1
3	488.011.051	Driven roller L=400		1
4	470.029.176	Sidepanel conveyor right		1
5	470.029.174	Sidepanel conveyor left		1
6	742.250.360	Bearing UCFL 205		2
7	892.600.022	Plastic Stop 60x60		2
8	802.080.750	Bolt M8 x 75 - ISO 4014		2
9	864.080.024	Large washer M8 - DIN 9021		3
10	830.080.080	Self Lock Nut M8 - ISO 10511		11
11	804.160.500	Bolt M16 x 50 - ISO 4017		4
12	830.160.160	Self Lock Nut M16 - ISO 10511		6
13	804.080.200	Bolt M8 x 20 - ISO 4017		9
14	880.060.100	Grease nipple M6 DIN 71412A		2
15	468.081.304	Bearing spacer		2
16	406.170.202	Bush Ø16.5/Ø25 L=20		2
17	864.160.030	Washer M16 - ISO 7089		2
18	802.160.550	Bolt M16 x 55 - ISO 4014		2



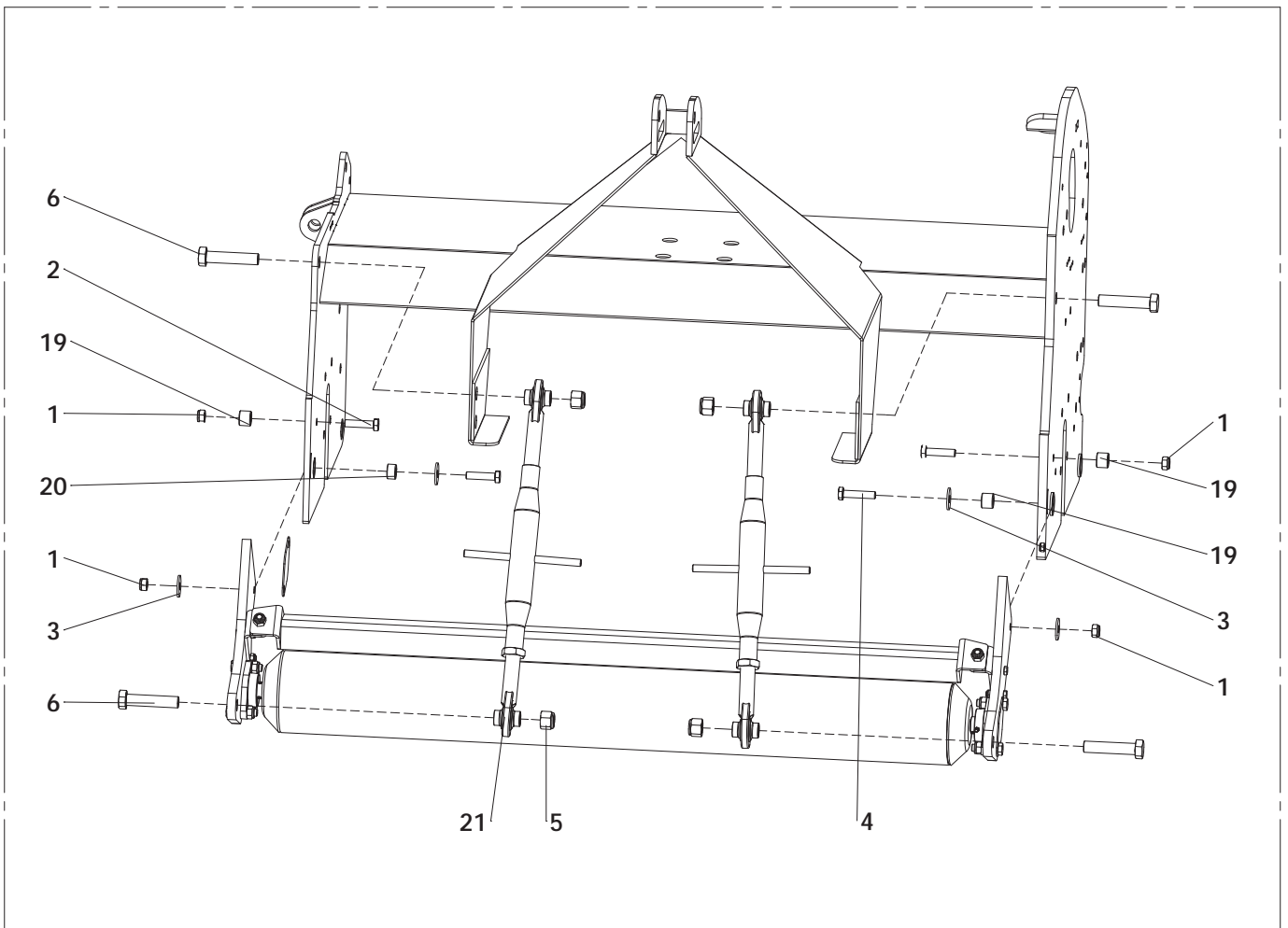
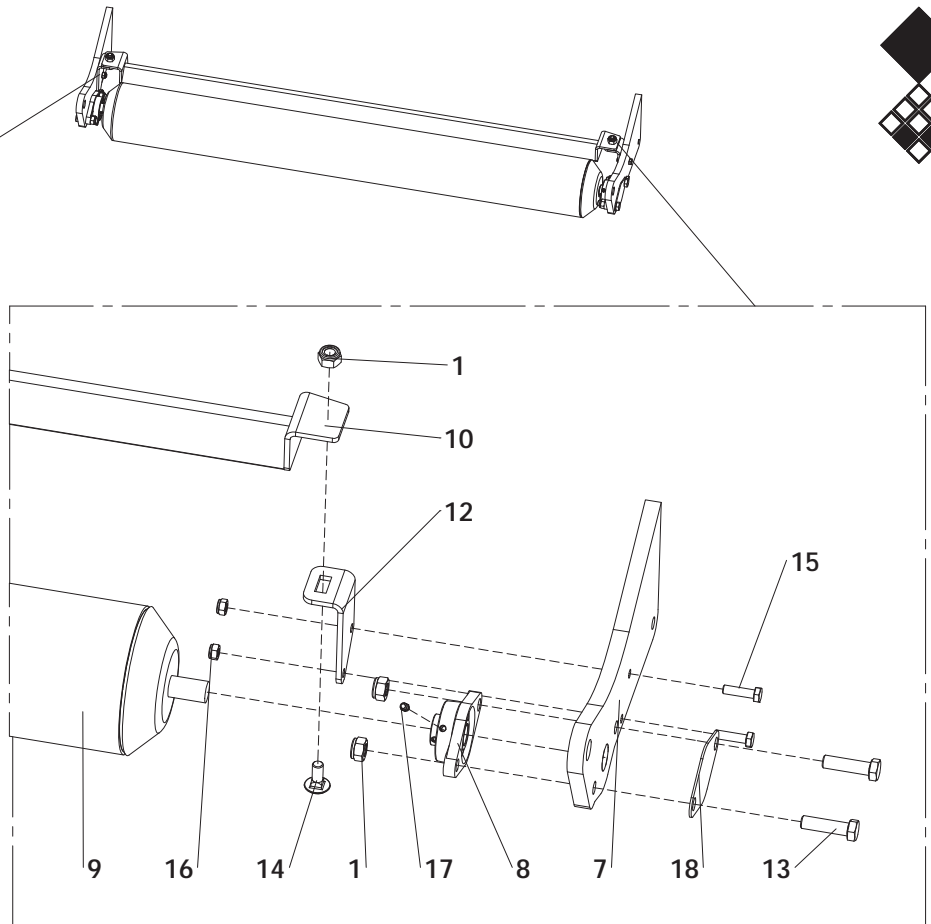
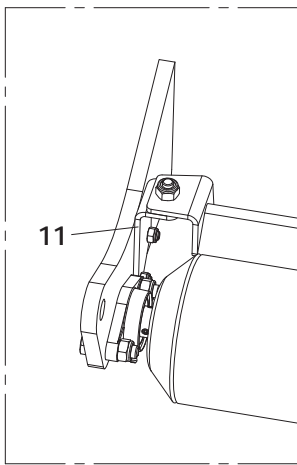
ITEM	PART NUMBER	DESCRIPTION	REMARKS	QUA
1	494.152.065	Fixed conveyor frame		1
2	488.011.043	Driven roller L=300		1
3	488.011.047	Driver roller L=300		1
4	743.250.400	Bearing UCHB205D1		2
5	852.202.000	Threaded Rod M20 L=200 DIN 975		2
6	492.039.151	Conveyor belt fixed L=1510		1
7	742.250.360	Bearing UCFL 205		2
8	665.650.200	Coupling Rubber EGE-2-RP 92° Shore		1
9	665.250.520	Coupling half A2825 Cast Iron		2
10	818.060.120	Set screw M6 x 12 - DIN 916		2
11	532.251.870	Hydraulic motor OMP 25		1
12	468.040.500	Bracket scraper		2
13	468.034.002	Scraper L=300		1
14	468.033.800	Scraper compact L=300		1
15	468.021.840	Safety cover		1
16	464.040.720	Scraper bracket L=72		2
17	864.120.030	Washer M12 - ISO 7089		2
18	830.120.120	Self Lock Nut M12 - ISO 10511 Class 10		2
19	830.160.160	Self Lock Nut M16-ISO 10511 Class 10		6
20	804.160.450	Bolt M16 x 45 - ISO 4017		4
21	804.120.500	Bolt M12 x 50 - ISO 4017		2
22	830.080.080	Self Lock Nut M8 - ISO 10511		4
23	864.080.030	Washer M8 - ISO 7089		2
24	804.080.200	Bolt M8 x 20 - ISO 4017		4
25	826.200.200	Nut M20 - DIN 934		6
26	884.080.220	Key 8x7x22 - DIN 6885		1
27	884.080.320	Key 8x7x32 - DIN 6885		1
28	880.090.100	Grease nipple Rp 1/8 straight		2
29	880.060.100	Grease nipple M6 DIN 71412A		2
30	406.250.100	Distance bush Ø32/Ø25.5 L=10		1
31	804.160.350	Bolt M16 x 35 - ISO 4017		2
32	864.080.024	Large washer M8 - DIN 9021		2



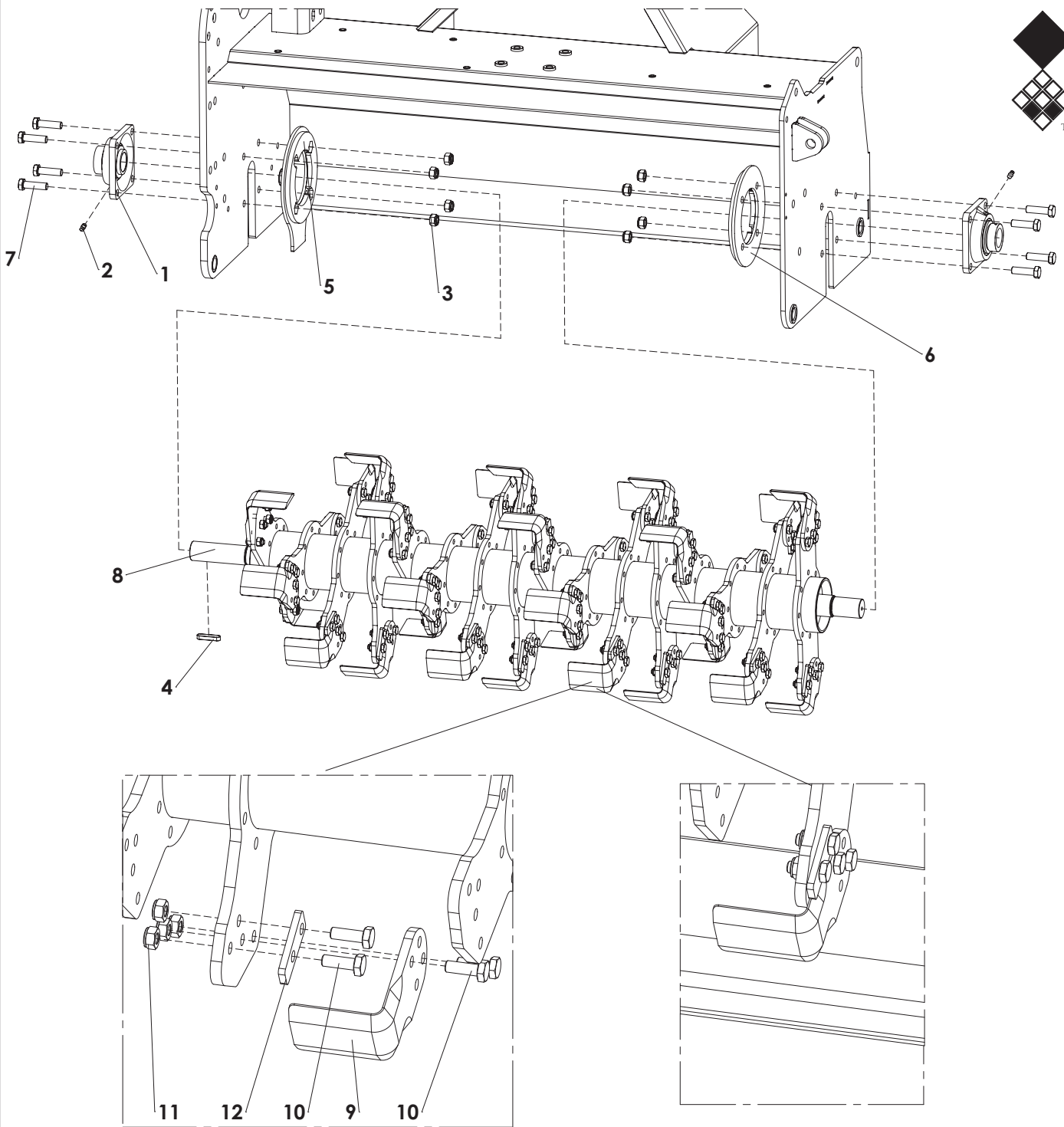
ITEM	PART NUMBER	DESCRIPTION	REMARKS	QUA
1	470.043.000	Scraper		1
2	830.080.080	Self Lock Nut M8 - ISO 10511		1
3	864.080.030	Washer M8 - ISO 7089		1
4	804.080.200	Bolt M8 x 20 - ISO 4017		3
5	804.080.250	Bolt M8 x 25 - ISO 4017		1
6	866.080.020	Spring Washer M8 - DIN 127		3
7	804.050.120	Bolt M5 x 12 - ISO 4017		4
8	830.050.050	Self Lock Nut M5 - ISO 10511		4
9	468.039.122	Cover plate		1
10	590.650.000	Rubber lock assy	Comes with bracket (see page 4)	2
11	470.035.060	Cover fixed belt		1
12	866.080.020	Spring Washer M8 - DIN 127		4
13	804.160.400	Bolt M16 x 40 - ISO 4017		3
14	830.160.160	Self Lock Nut M16 - ISO 10511		6
15	804.160.550	Bolt M16 x 55 - ISO 4017		1
16	816.160.452	Bolt M16 x 45 - DIN 7991		2
17	804.080.300	Bolt M8 x 30 - ISO 4017		2
18	804.080.350	Bolt M8 x 35 - ISO 4017		2



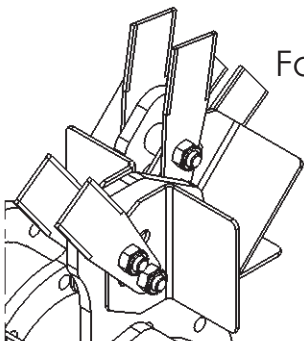
ITEM	PART NUMBER	DESCRIPTION	REMARKS	QUA
1	522.242.150	Toplink CAT1 215-300mm		2
2	840.190.230	SL Nut 3/4"-16 UNF		4
3	808.190.890	Hex Bolt 3/4-16 L=3.5 UNF		4
4	864.200.030	Washer M20 - ISO 7089		4
5	468.031.170	Depth adjustment gauge		2
6	830.120.120	Self Lock Nut M12 - ISO 10511		6
7	864.120.031	Large washer M12 - DIN 9021		4
8	802.120.550	Bolt M12 x 55 - ISO 4014		2
9	742.200.330	Bearing UCFL 204		2
10	488.140.105	Roller Ø140 L=1053		1
11	470.059.111	Scraper roller		1
12	468.051.950	Bracket scraper right		1
13	802.120.500	Bolt M12 x 50 - ISO 4014		4
14	830.100.100	Self Lock Nut M10 - ISO 10511		2
15	820.100.250	MH Bolt M10 x 25 ISO 8677		2
16	880.060.100	Grease nipple M6 DIN 71412A		2
17	468.051.952	Bracket scraper left		1
18	468.154.820	Adjustment strip right		1
19	468.153.570	Adjustment strip left		1
20	468.153.140	Adjustment strip		1
21	830.160.160	Self Lock Nut M16 - ISO 10511		2
22	804.160.550	Bolt M16 x 55 - ISO 4017		2
23	402.130.200	Bush Ø12.5/Ø25 L=19.5		2
24	864.120.030	Washer M12 - ISO 7089		2
25	802.201.000	Bolt M12 x 60 - ISO 4014		1



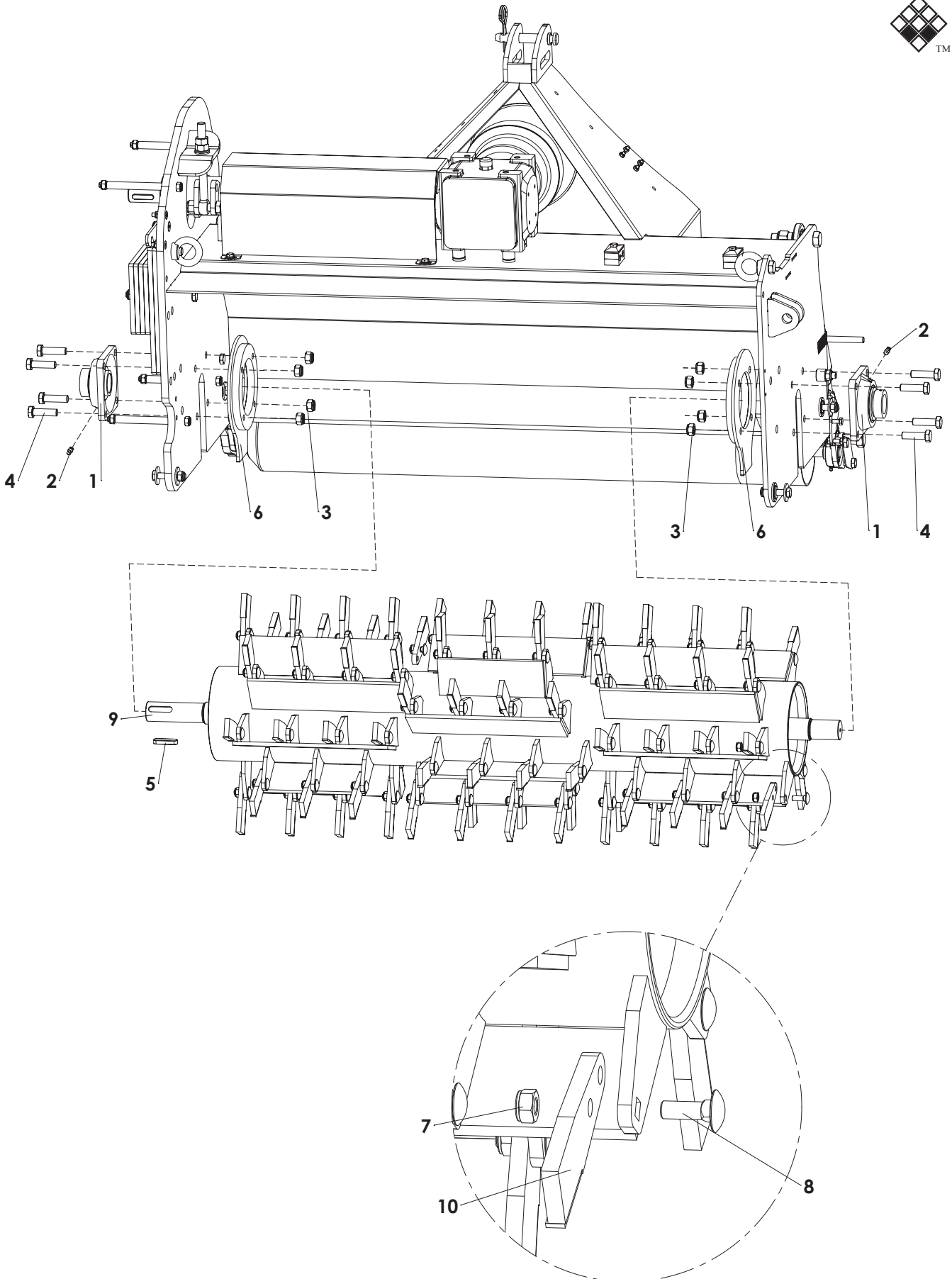
ITEM	PART NUMBER	DESCRIPTION	REMARKS	QUA
1	830.120.120	Self Lock Nut M12 - ISO 10511		10
2	802.120.500	Bolt M12 x 50 - ISO 4014		3
3	864.120.031	Large washer M12 - DIN 9021		4
4	802.120.550	Bolt M12 x 55 - ISO 4014		1
5	840.190.230	SL Nut 3/4"-16 UNF		4
6	808.190.890	Hex Bolt 3/4-16 L=3.5 UNF		4
7	468.153.204	Strip roller front		2
8	742.200.330	Bearing UCFL 204		2
9	488.140.128	Roller L-128		1
10	470.059.132	Scraper roller		1
11	468.051.004	Bracket scraper front		1
12	468.051.000	Bracket scraper front		1
13	804.120.400	Bolt M12 x 40 - ISO 4017		4
14	820.100.250	MH Bolt M10 x 25 ISO 8677		2
15	804.080.300	Bolt M8 x 30 - ISO 4017		4
16	830.080.080	Self Lock Nut M8 - ISO 10511		4
17	880.060.100	Grease nipple M6 DIN 71412A		2
18	402.130.200	Bush Ø12.5/Ø25 L=19.5		3
19	402.130.150	Bush Ø12.5/Ø25 L=14.5		1
20	522.194.200	Toplink Cat. 1 L0=420 Stroke=220 M24x3		2



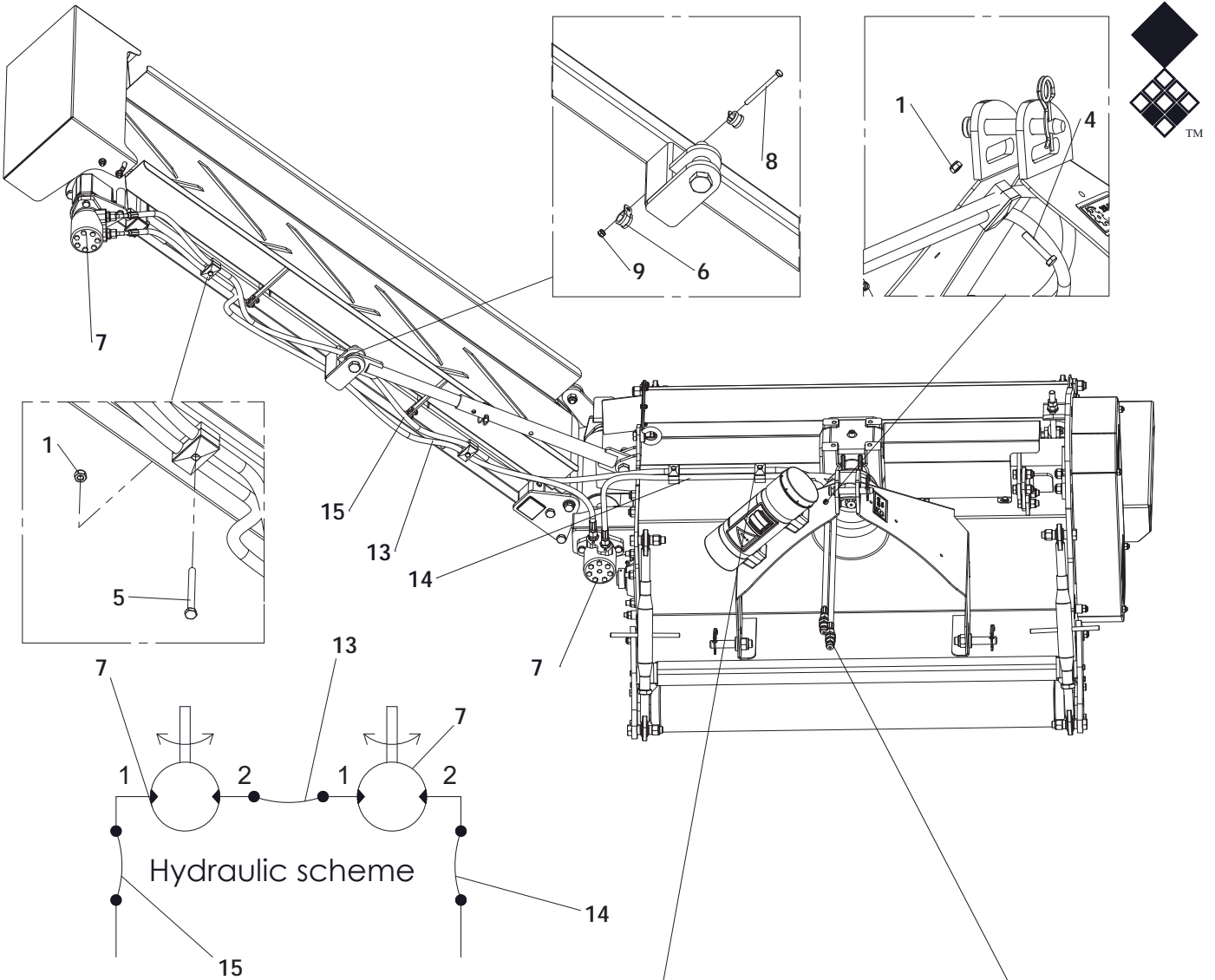
For scarify knives see Chapter 15.0 of user manual



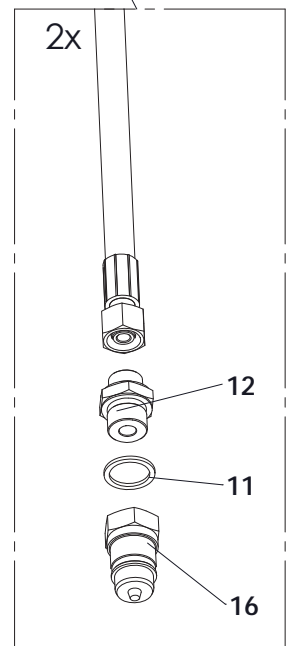
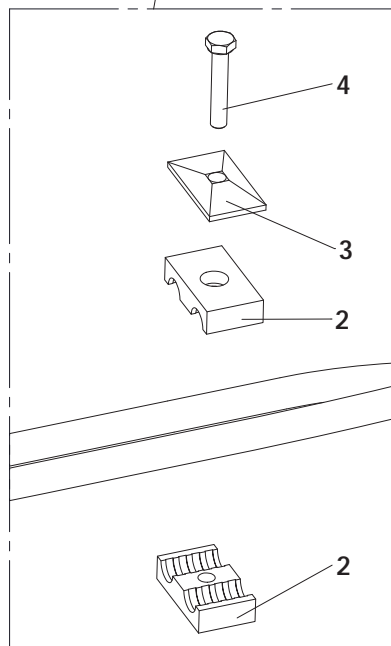
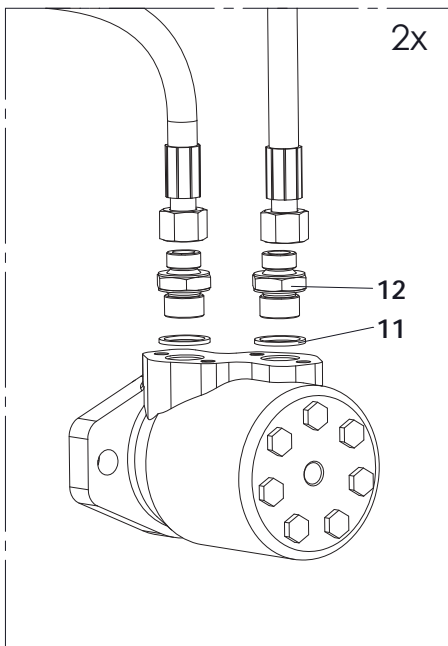
ITEM	PART NUMBER	DESCRIPTION	REMARKS	QUA
1	741.400.840	Bearing TCJ40-N		2
2	880.090.100	Grease nipple Rp 1/8 straight		2
3	830.140.140	Self Lock Nut M14 - ISO 10511		8
4	884.120.500	Key 12x8x50 - DIN 6885		1
5	470.062.550	Ring connection plate		1
6	470.062.100	Connection ring round		1
7	802.140.500	Bolt M14 x 50 - ISO 4014		8
8	488.450.146	Rotor shaft		1
9	353.135.116	Fraser Blade 6mm	Standard	32
	353.135.120	Fraser Blade 8mm		32
10	804.100.300	Bolt M10 x 30 - ISO 4017		128
11	830.100.100	Self Lock Nut M10 - ISO 10511		128
12	468.060.650	Plate		32



ITEM	PART NUMBER	DESCRIPTION	REMARKS	QUA
1	741.400.840	Bearing TCJ40-N		2
2	880.090.100	Grease nipple Rp 1/8 straight		2
3	830.140.140	Self Lock Nut M14 - ISO 10511		8
4	802.140.500	Bolt M14 x 50 - ISO 4014		8
5	884.120.500	Key 12x8x50 - DIN 6885		1
6	470.062.552	Small ring connection plate		2
7	830.100.100	Self Lock Nut M10 - ISO 10511		92
8	820.100.300	MH Bolt M10 x 30 ISO 8677		92
9	488.358.145	Hybrid rotor TS1200		1
10	353.303.110	Hybride Blade 13mm		92

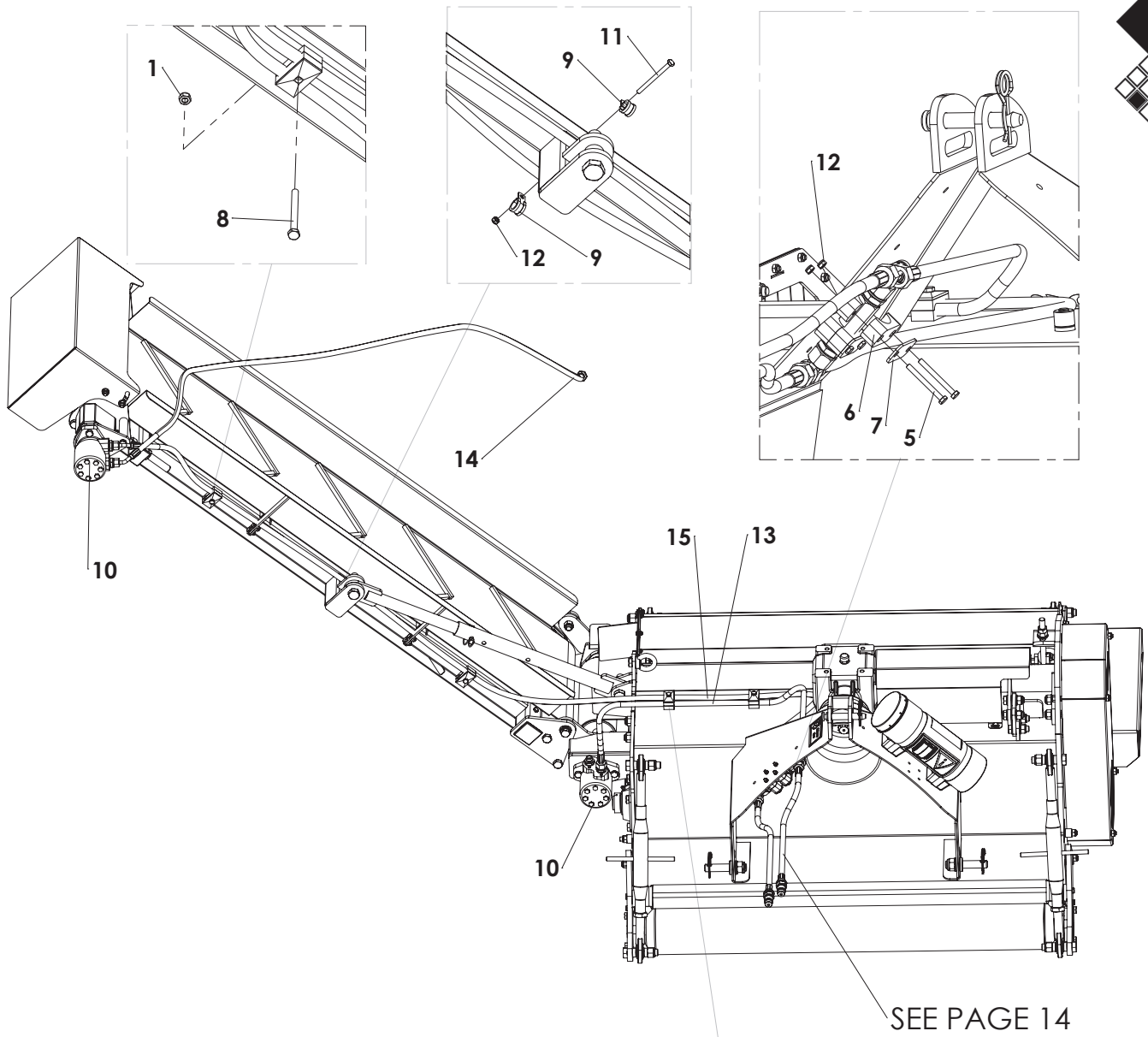


Connection to motors

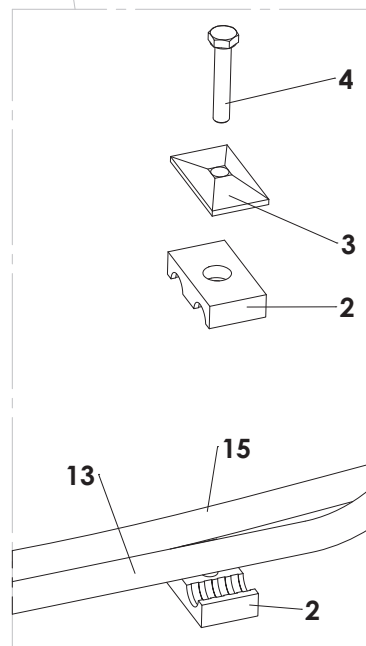
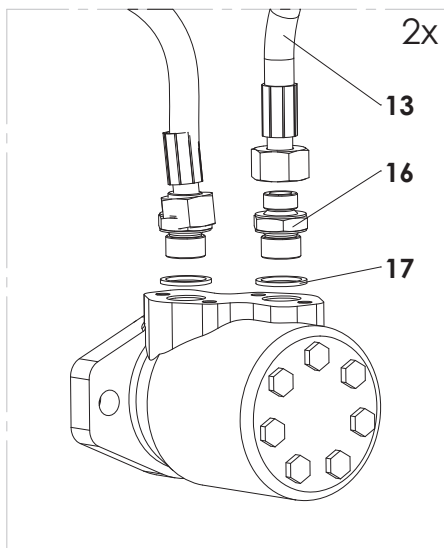


Redexim Turf-Stripper 1200 Used till Serial No. H215010 Page 13 Code 1446

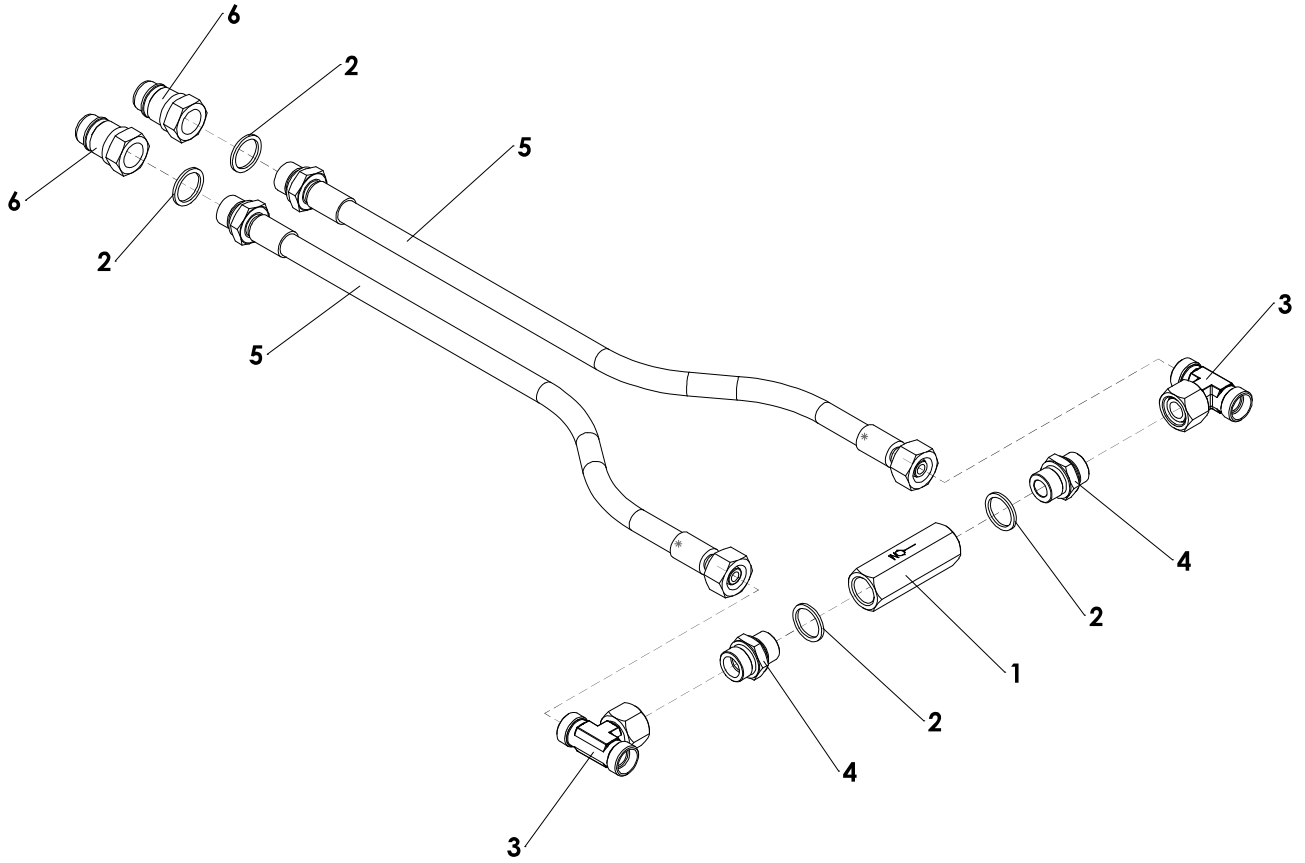
ITEM	PART NUMBER	DESCRIPTION	REMARKS	QUA
1	830.080.080	Self Lock Nut M8 - ISO 10511		3
2	547.150.150	Hose clamp double 15mm		10
3	547.070.510	Cover plate hose clamp 2x15 - 2x18		5
4	802.080.450	Bolt M8 x 45 - ISO 4014		3
5	802.080.850	Bolt M8 x 85 - ISO 4014		2
6	547.130.300	Hose clamp 15		2
7	532.251.870	Hydraulic motor OMP 25		2
8	802.060.750	Bolt M6 x 75 - ISO 4014		1
9	830.060.060	Self Lock Nut M6 - ISO 10511		1
10				
11	874.210.020	Copper washer 1_2		6
12	544.130.402	Nipple BSP 1_2" x pipe 12 (M18)		6
13	541.172.004	Hose NSK10-3/8" L=2000 PGLO1018 PGLO101845		1
14	541.172.002	Hose NSK10-3/8" L=2300 2xPGLO10-18		1
15	541.174.502	Hose NSK10-3/8" L=4000 PGLO1018 PGLO101845		1
16	545.210.800	Quick connector male 1/2"		2



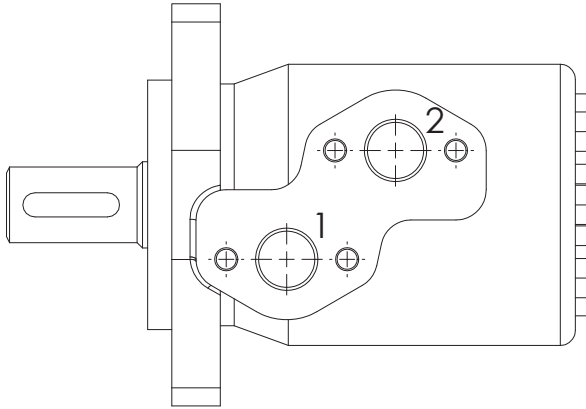
Connection to motors



ITEM	PART NUMBER	DESCRIPTION	REMARKS	QUA
1	830.080.080	Self Lock Nut M8 - ISO 10511		2
2	547.150.150	Hose clamp double 15mm		8
3	547.300.510	Cover plate hose clamp 2x15 - 2x18		4
4	802.080.450	Bolt M8 x 45 - ISO 4014		2
5	802.060.600	Bolt M6 x 60 - ISO 4014		4
6	547.300.302	Pipe clamp single Ø30 Gr4		4
7	549.300.570	Deck plate Gr4		2
8	802.080.850	Bolt M8 x 85 - ISO 4014		2
9	547.130.300	Hose clamp 15		4
10	532.251.870	Hydraulic motor OMP 25		2
11	802.060.750	Bolt M6 x 75 - ISO 4014		1
12	830.060.060	Self Lock Nut M6 - ISO 10511		5
13	541.171.252	Hose NSK10-3/8" L=1200 PGLO1018 + PGLO1022		1
14	541.172.004	Hose NSK10-3/8" TL=2000 PGLO1018 PGLO101845		1
15	541.173.050	Hose NSK10-3/8" L=3050 PGLO1022 PGLO101845		1
16	544.130.402	Nipple BSP 1_2" x pipe 12 (M18)		4
17	874.210.020	Copper washer 1_2		4

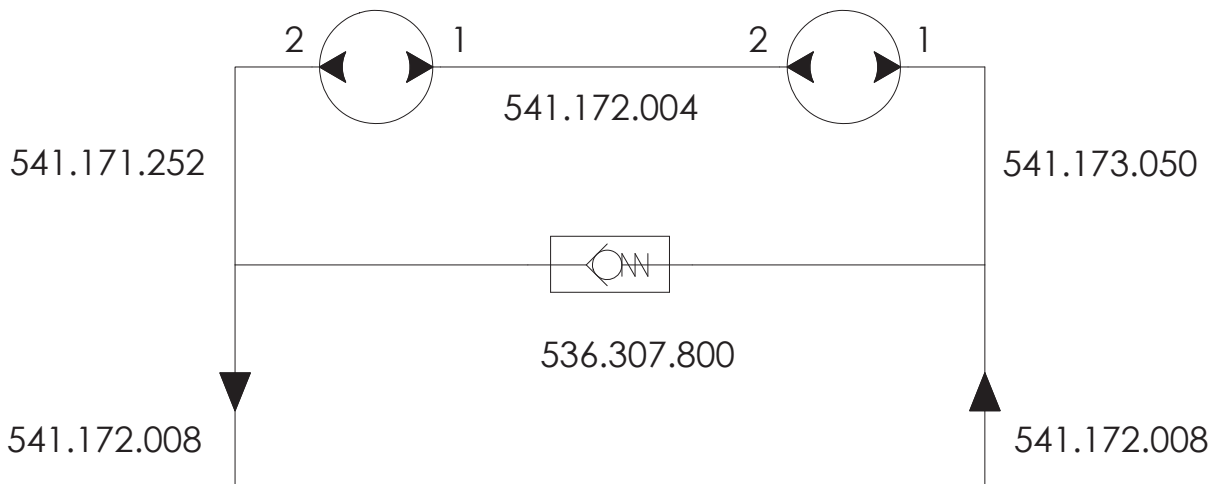


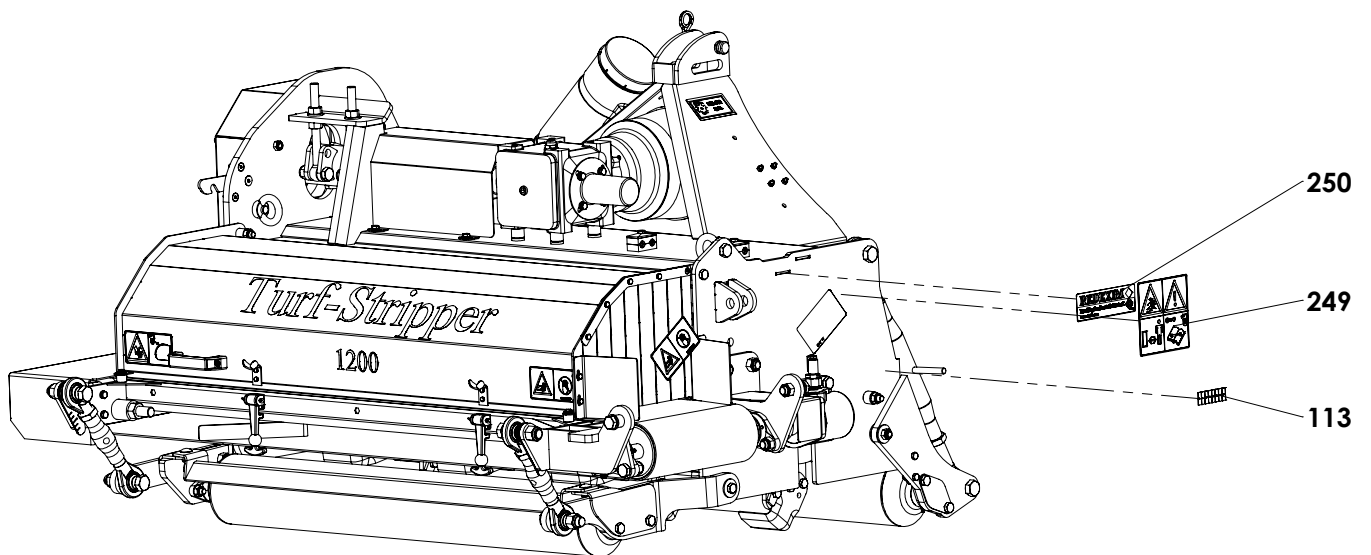
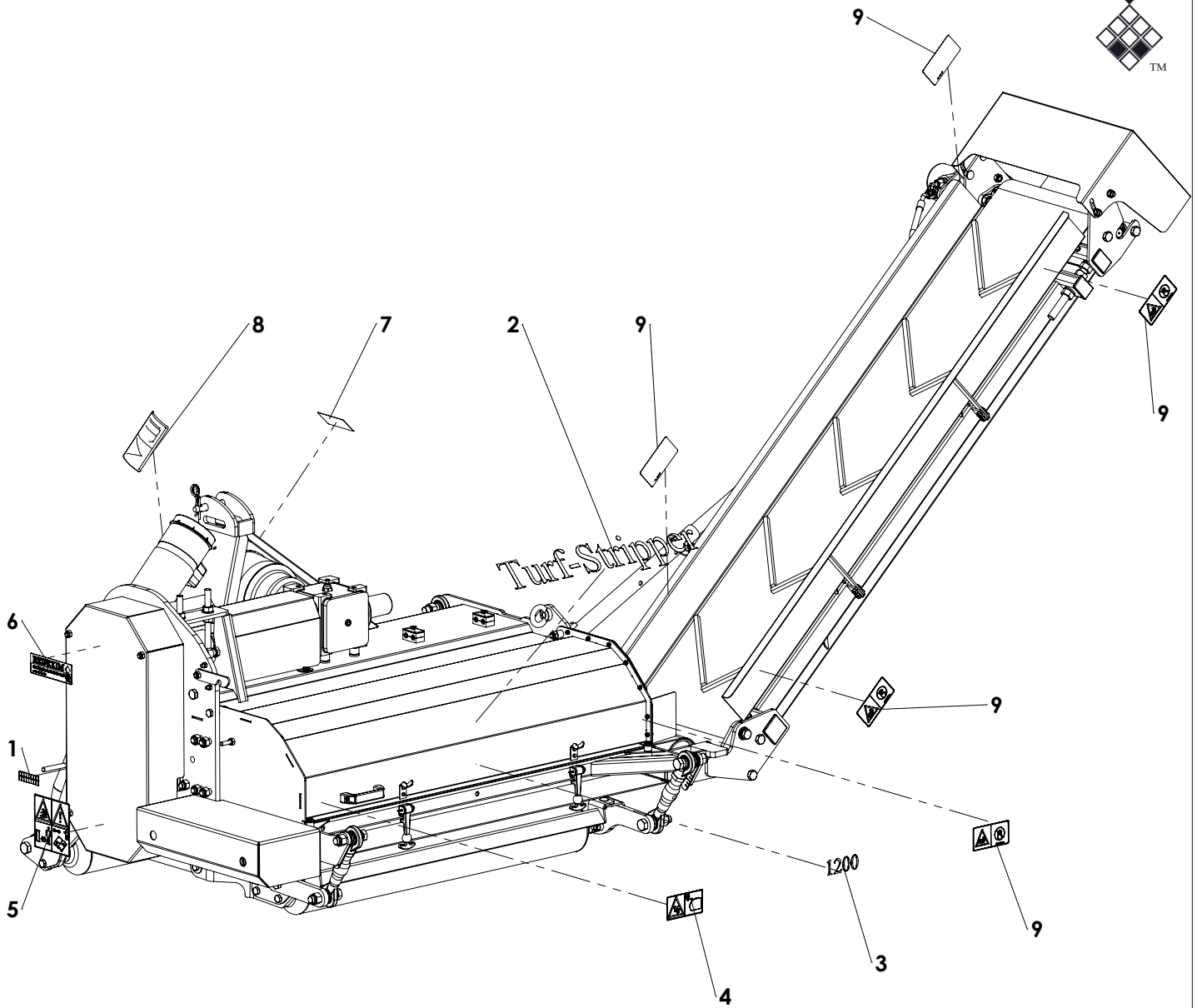
ITEM	PART NUMBER	DESCRIPTION	REMARKS	QUA
1	536.307.800	SL Non-Return Valve 1/2", 10.0 bar		1
2	874.210.020	Copper washer 1_2		4
3	544.154.702	T-Connector PM, Pipe 15-M22		2
4	544.210.150	Nipple BSP 1_2" x pipe 15 (M22)		2
5	541.172.008	Hose NSK10-3/8" L=2000 PGLO10-22 PN10-8		2
6	545.210.800	Quick connector male 1/2"		2



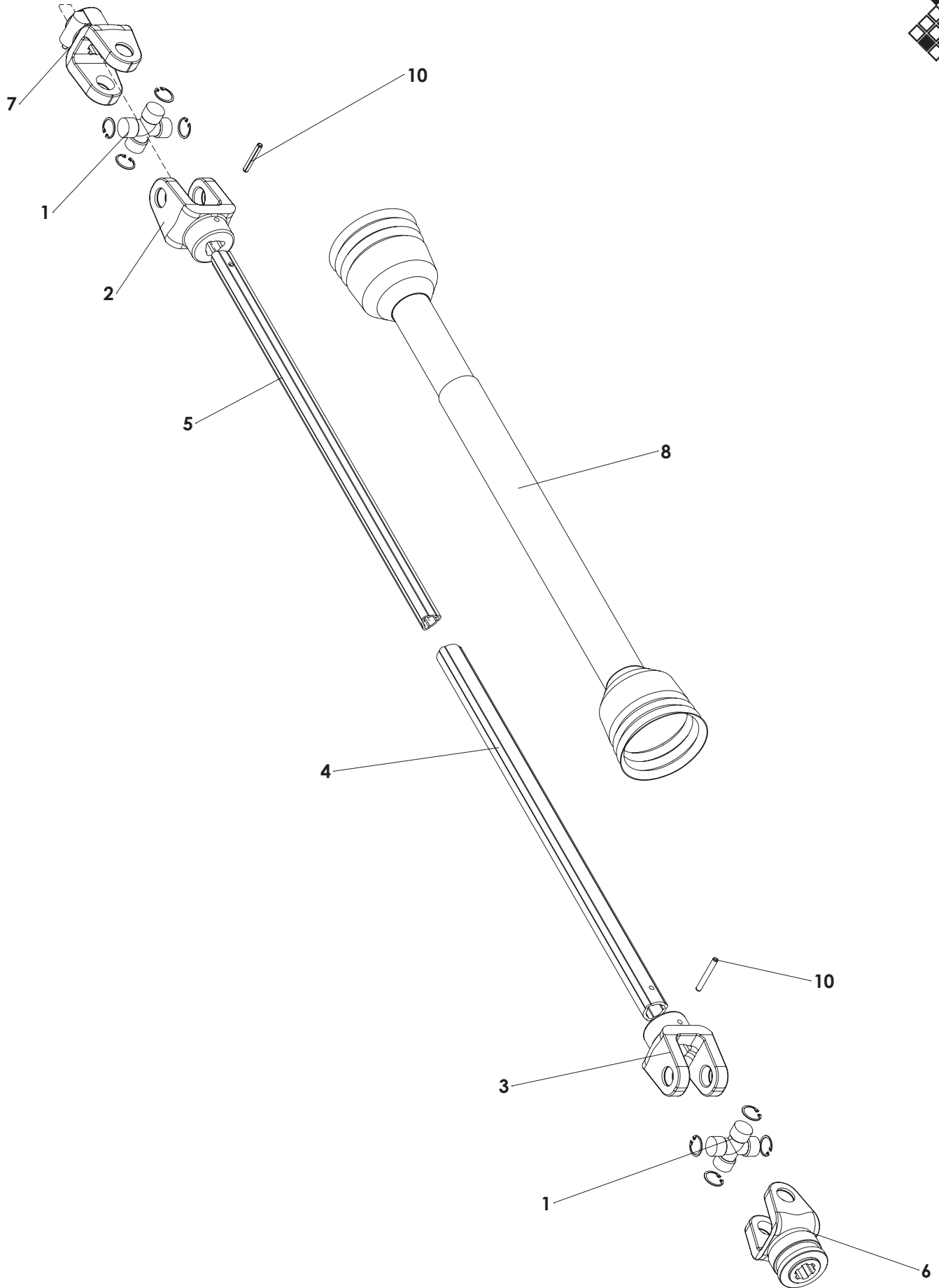
532.251.870
Motor fixed conveyor

532.251.870
Motor moving conveyor





ITEM	PART NUMBER	DESCRIPTION	REMARKS	QUA
1	900.260.414	Decall Ruler		2
2	953.260.200	Decall Turf-Stripper, heigth 85mm		1
3	913.260.406	Decall 1200		1
4	911.280.404	Decall close cover		1
5	933.280.402	Safety decall Rink Verti-Top		2
6	900.260.403	Logo Label		2
7	900.260.422	Decall PTO 350 540		1
8	900.280.402	Safety decall manual		1
9	900.280.300	Safety decall conveyor belt		5



ITEM	PART NUMBER	DESCRIPTION	REMARKS	QUA
1	180014130	Cross and 4x circlip kit		2
2	151014007	Inner tube yoke type 40		1
3	141024263	Outer tube yoke type 40		1
4	1521402110700	T40-series Outer tube L=765mm		1
5	153140111	T40-series Inner tube L=780		1
6	141024430	Complete collar yoke type 40		1
7	141024001	Push pin yoke type 40		1
8	1422402119430	Complete guard 40-series		1
9	872.030.120	Circlip D=30 - DIN 472		8
10	190000014	Roll Pin 8 x 65		2
	613.809.100	PTO complete T40 push pin		