

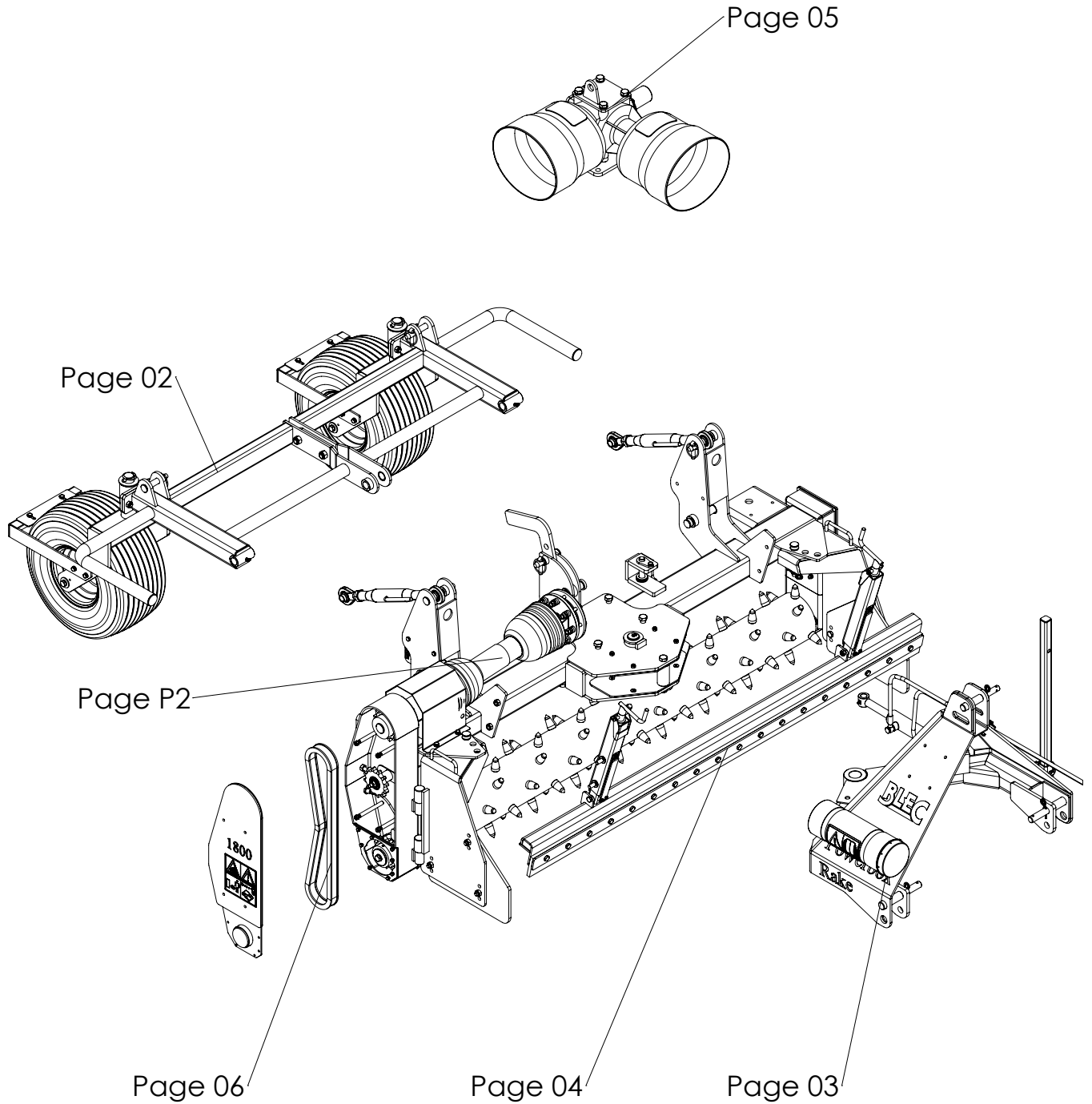
POWER BOX RAKE 1800



Version: 2338



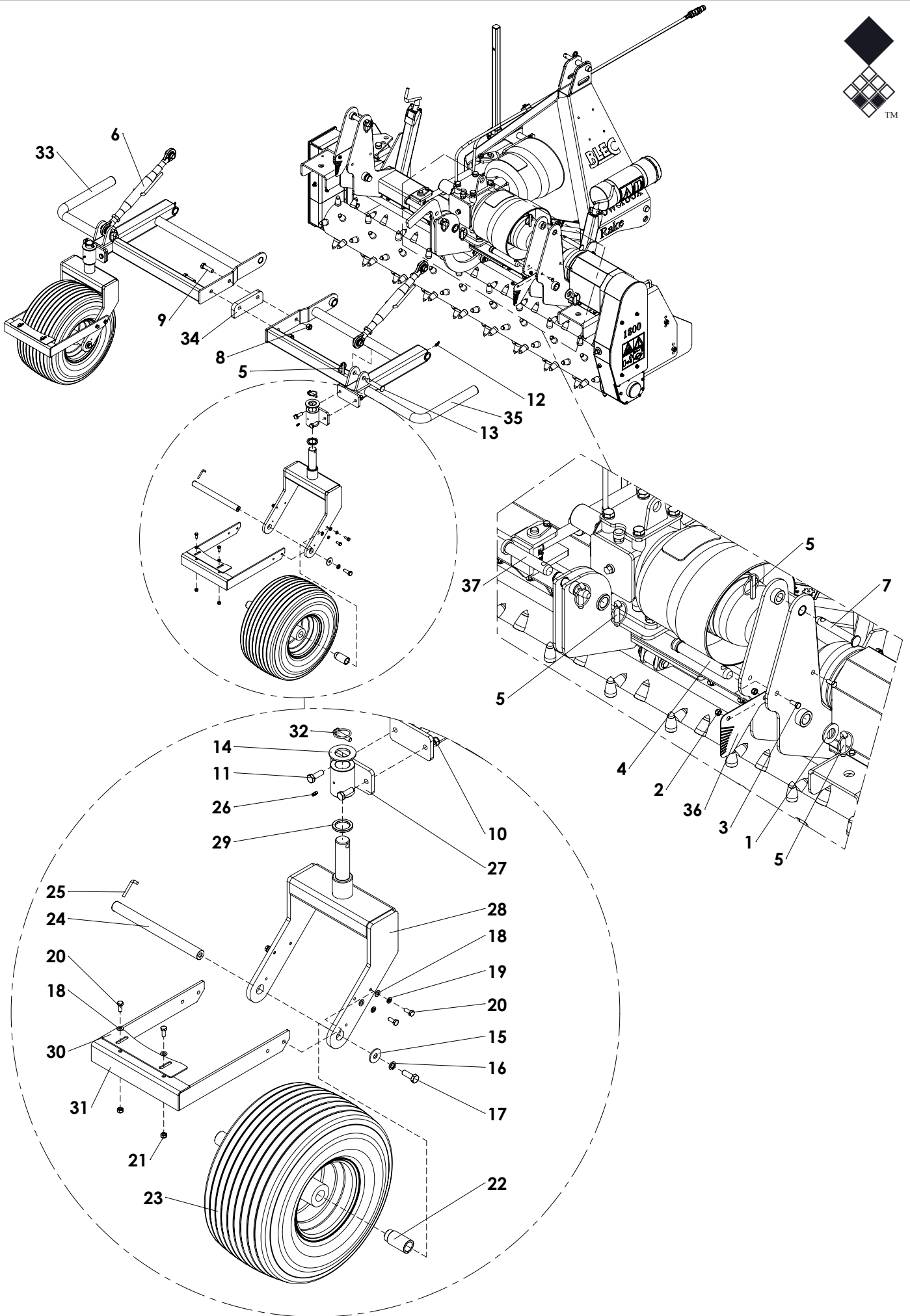
Kwekerijweg 8 | 3709JA | Zeist | The Netherlands |
T: +31 (0)306 933 227
E: redexim@redexim.com
W: www.redexim.com



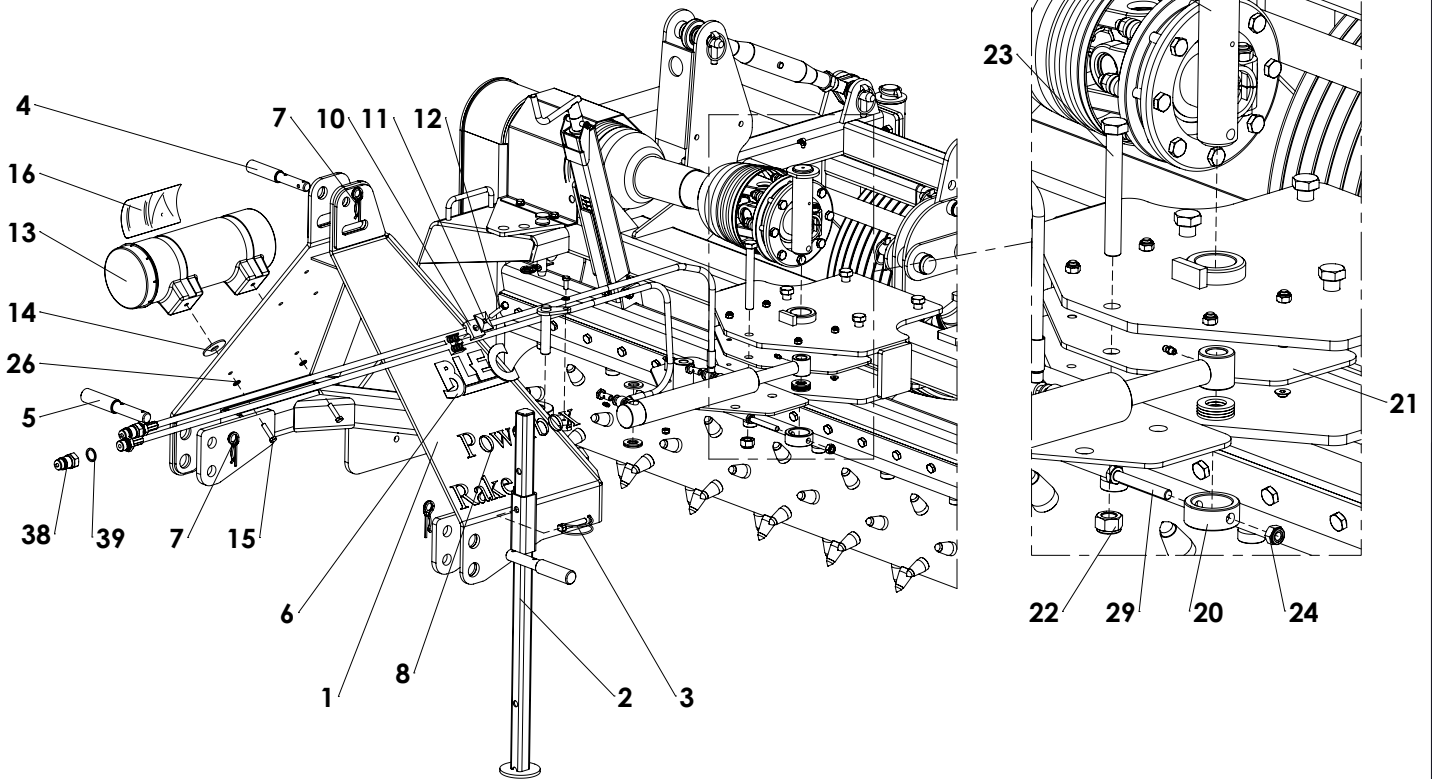
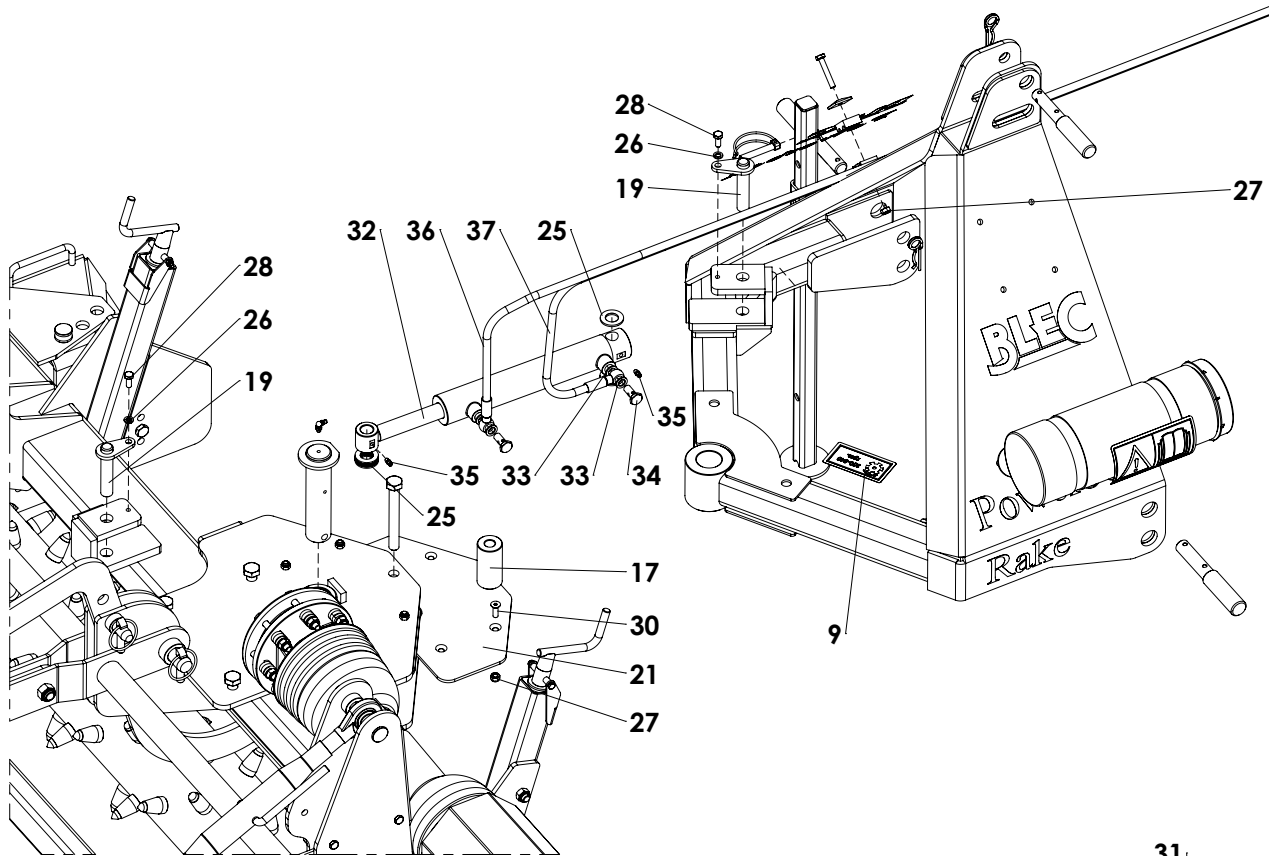
Laser Kit : Page 07-08
PTO : Page P1



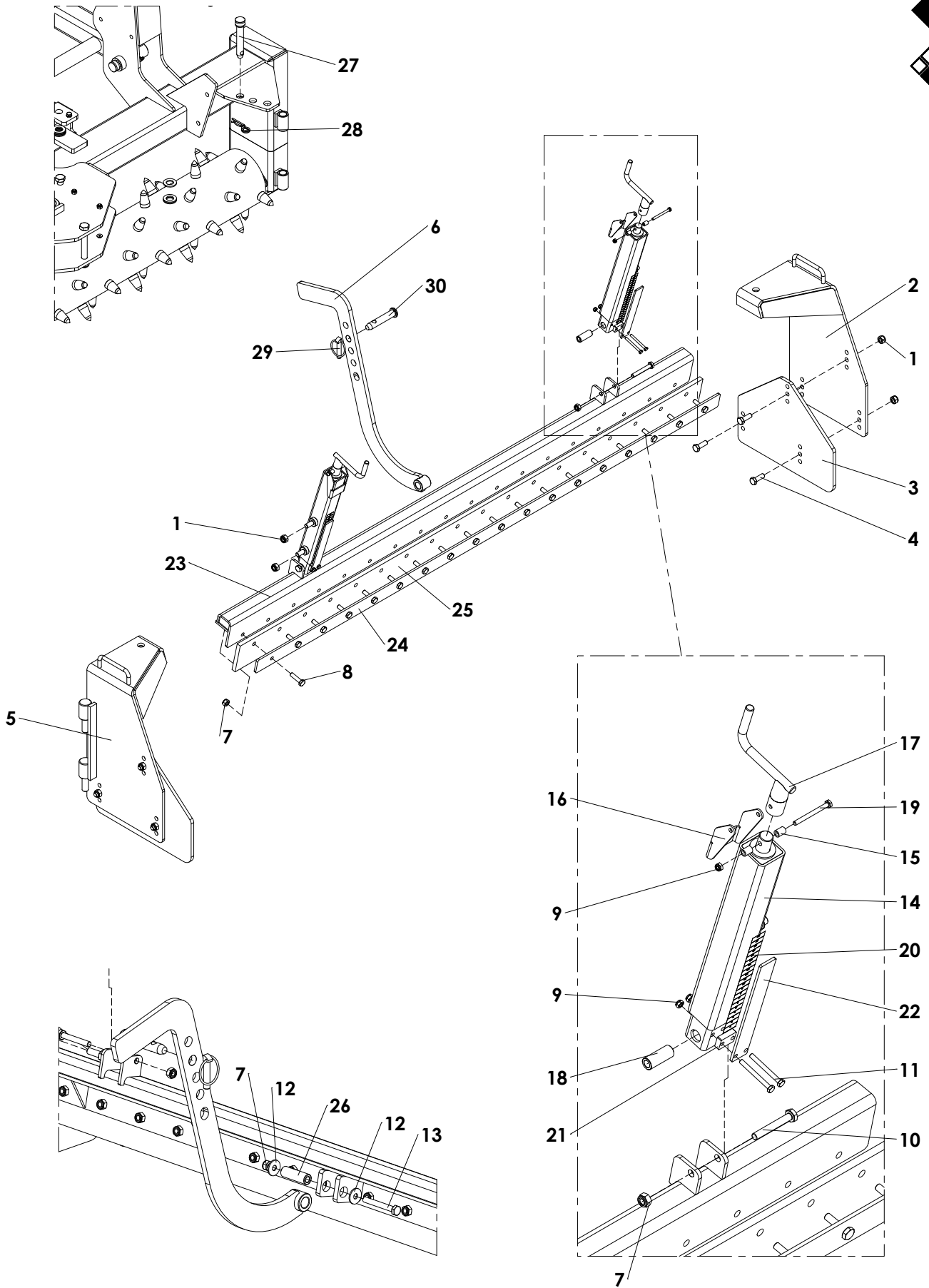
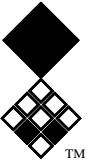
TM



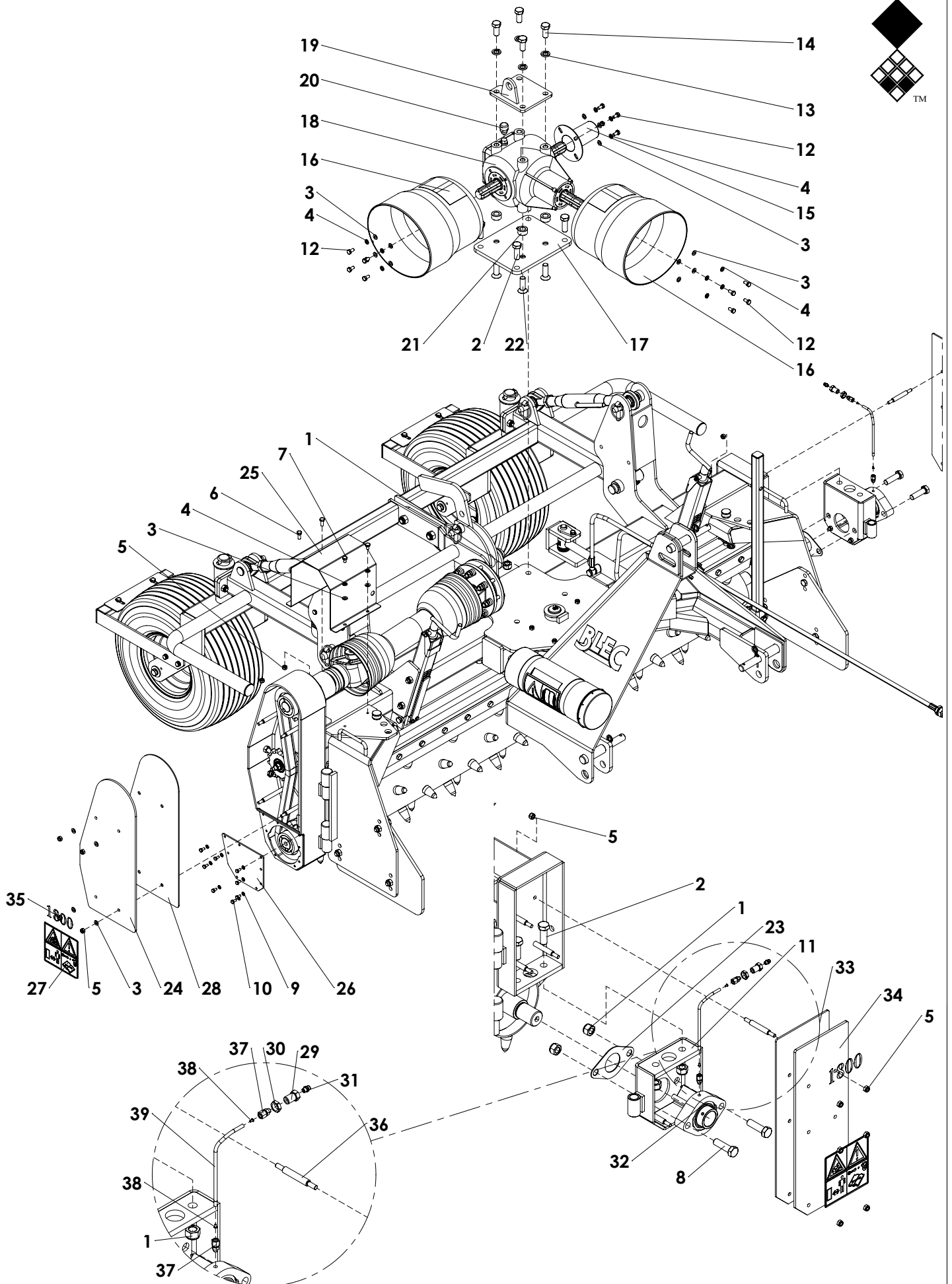
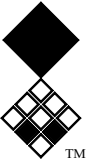
ITEM	PART NUMBER	DESCRIPTION	REMARKS	QUA
1	864.270.040	Washer DIN 125 - A 27		2
2	830.080.080	Self Lock Nut M8 - ISO 10511		4
3	804.080.200	Bolt M8 x 20 - ISO 4017		4
4	522.251.420	Top Link Pin Ø25 L=142		2
5	523.120.650	Linch Pin D12		7
6	522.194.200	Toplink Cat. 1 L0=420 Stroke=220 M24x3		2
7	521.191.300	Top Link Pin Ø19 L=105		2
8	830.160.160	Self Lock Nut M16 10.9 - ISO 10511		2
9	804.160.550	Bolt M16 x 55 - ISO 4017		2
10	830.120.120	Self Lock Nut M12 - ISO 10511		4
11	804.120.350	Bolt M12 x 35 - ISO 4017		4
12	880.060.104	Grease nipple M6 45deg. DIN 71412B		2
13	521.190.740	Top Link Pin Ø19 L=74		2
14	864.360.050	Washer M36 - ISO 7089		2
15	864.120.031	Large washer M12 - DIN 9021		2
16	866.120.020	Spring Washer M12 - DIN 127		2
17	804.120.350	Bolt M12 x 35 - ISO 4017		2
18	864.080.030	Washer M8 - ISO 7089		12
19	866.080.020	Spring Washer M8 - DIN 127		8
20	804.080.200	Bolt M8 x 20 - ISO 4017		12
21	830.080.080	Self Lock Nut M8 - ISO 10511		4
22	404.250.700	Distance Bush Wheel		4
23	511.542.236	Wheel Complete		2
24	416.252.940	Wheel Shaft		2
25	424.060.480	Lock pin		2
26	880.060.100	Grease nipple M6 DIN 71412A		2
27	474.601.400	Pivot frame		2
28	470.122.880	Wheel frame		2
29	444.050.500	Spacer		2
30	468.032.400	Scraper		2
31	470.063.000	Scraper frame		2
32	523.100.570	Linch Pin d10		2
33	462.528.910	Wheel support frame left		1
34	468.201.900	Spacer		1
35	462.528.912	Wheel support frame right		1
36	468.021.600	Height indicator		2
37	521.251.380	Top link pin		1



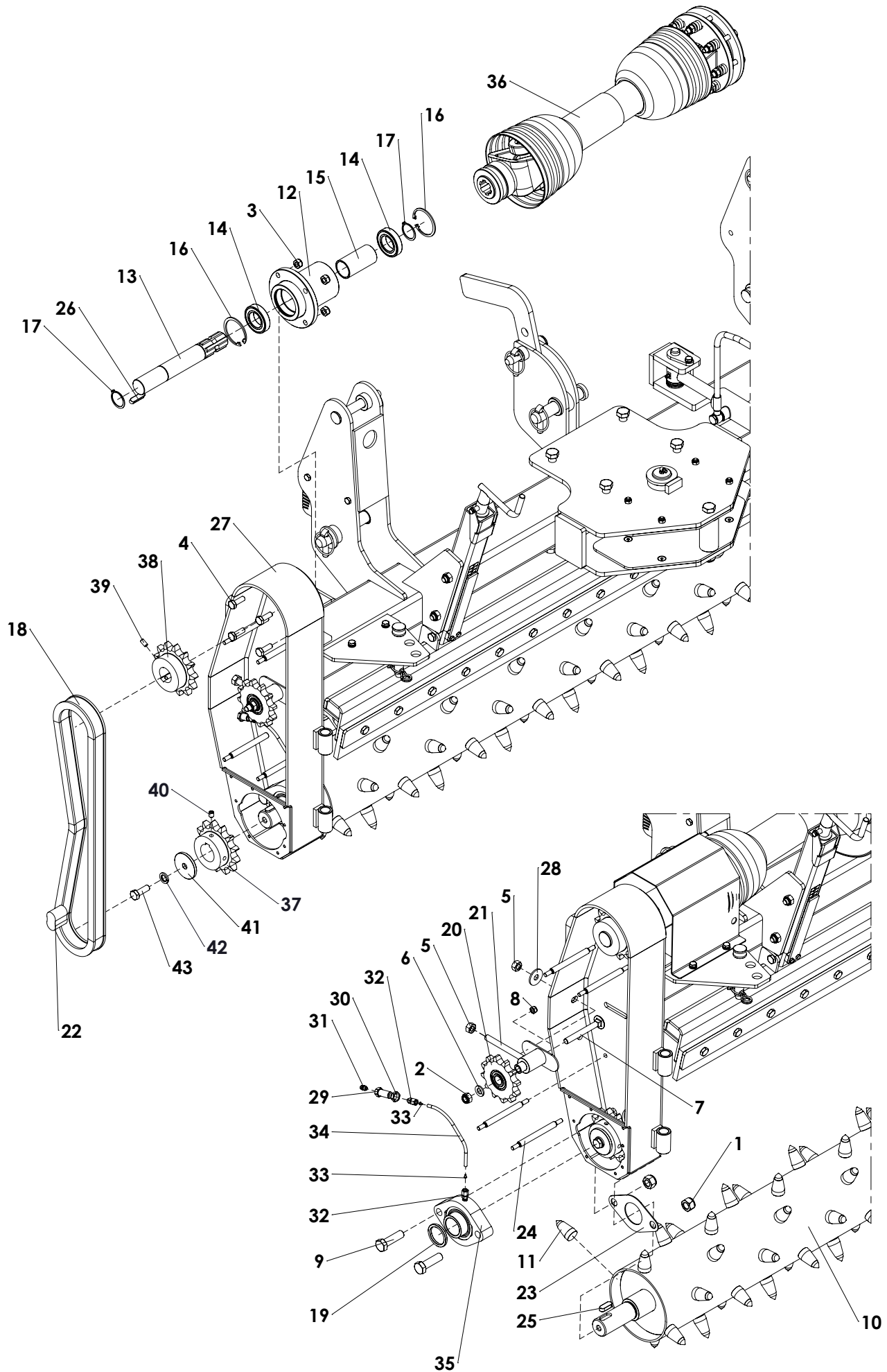
ITEM	PART NUMBER	DESCRIPTION	REMARKS	QUA
1	494.089.063	3-point frame		1
2	462.030.609	Leg		1
3	523.100.700	Pipe linch pin Ø10		1
4	521.191.600	Top link pin OS		1
5	521.221.600	3-point pin		2
6	900.260.504	Decall Blec black		2
7	523.030.750	R-Clip Round 3, DIN 11024		3
8	952.260.422	Label Powerbox-Rake large black		2
9	900.260.422	Decall PTO 350 540		1
10	547.120.120	Hose clamp double 12mm		2
11	547.300.340	Cover plate hose clamp 2x10 - 2x12		1
12	802.080.500	Bolt M8 x 50 - ISO 4014		1
13	444.803.100	Toolbox Complete		1
14	864.160.031	Large washer M16 - DIN 9021		2
15	804.080.350	Bolt M8 x 35 - ISO 4017		2
16	900.280.402	Safety decall manual		1
17	402.160.800	Bush		1
18	474.401.600	Pivot pin		1
19	474.191.000	Lock pin		2
20	412.400.220	Lock ring		1
21	444.053.500	Slide plate		2
22	830.160.160	Self Lock Nut M16 10.9 - ISO 10511		1
23	802.161.300	Bolt M16 x 130 - ISO 4014		1
24	830.100.100	Self Lock Nut M10 - ISO 10511		1
25	864.200.030	Washer M20 - ISO 7089		7
26	866.080.020	Spring Washer M8 - DIN 127		4
27	830.080.080	Self Lock Nut M8 - ISO 10511		9
28	804.080.200	Bolt M8 x 20 - ISO 4017		2
29	802.100.750	Bolt M10 x 75 - ISO 4014		1
30	816.080.250	Bolt M8x25 DIN 7991		8
31	880.060.102	Grease nipple M6 90deg		1
32	534.250.351	Hydraulic Cylinder 25-40, Stroke 200mm		1
33	874.130.020	Copper washer 1/4"		4
34	544.132.330	Cavity Bolt 1/4"		2
35	880.060.100	Grease nipple M6 DIN 71412A		2
36	541.132.500	Hose NSK6-1/4" TL=2500 PN68 + PQB64		1
37	541.132.500	Hose NSK6-1/4" TL=2500 PN68 + PQB64		1
38	545.210.800	Quick connector male 1/2"		2
39	874.210.020	Copper washer 1_2		2



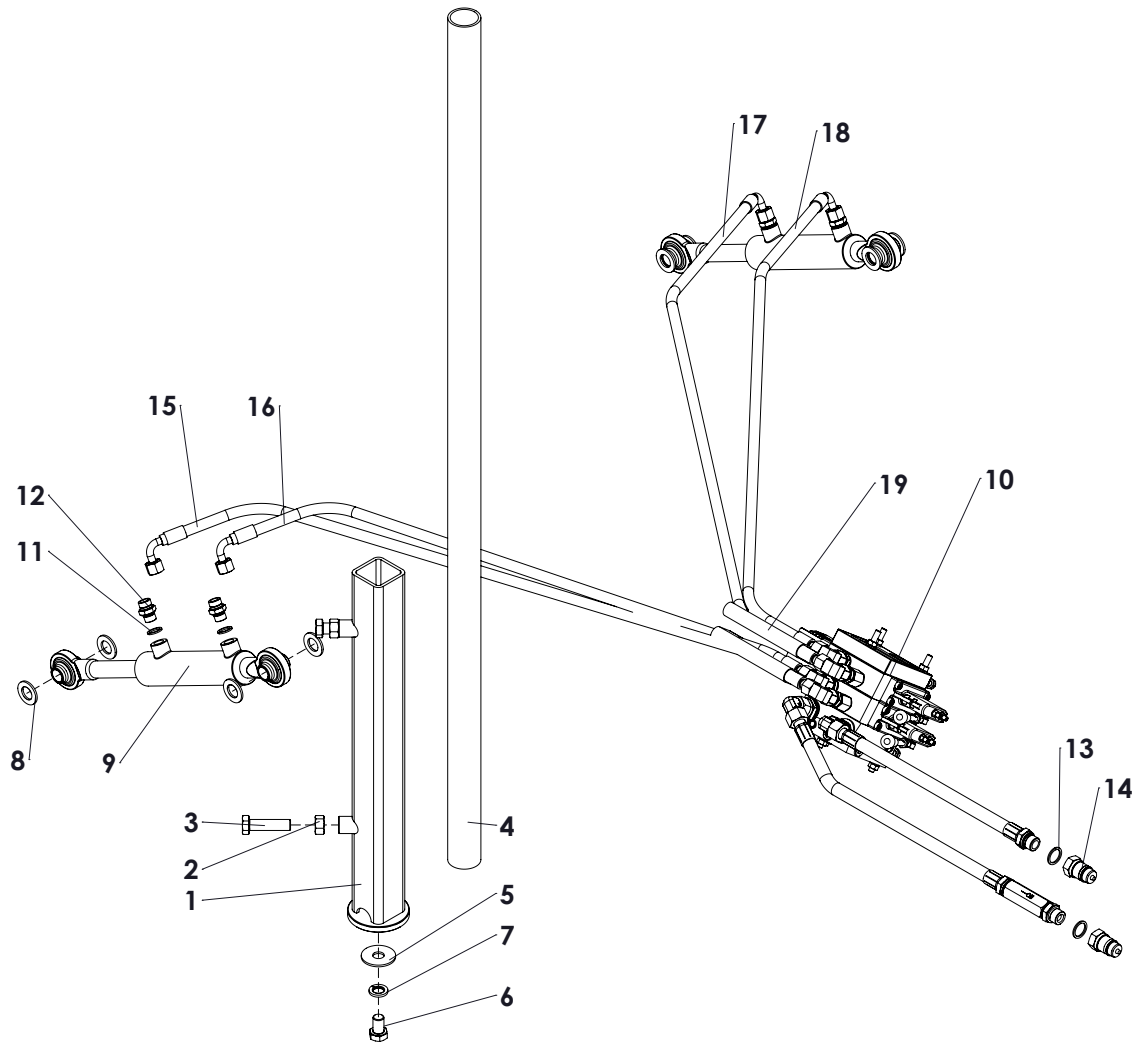
ITEM	PART NUMBER	DESCRIPTION	REMARKS	QUA
1	830.120.120	Self Lock Nut M12 - ISO 10511		10
2	470.085.030	Left guide		1
3	468.103.750	Blade		2
4	804.120.350	Bolt M12 x 35 - ISO 4017		6
5	470.085.032	Right guide		1
6	470.125.800	Handle		1
7	830.100.100	Self Lock Nut M10 - ISO 10511		21
8	804.100.400	Bolt M10 x 40 - ISO 4017		18
9	830.060.060	Self Lock Nut M6 - ISO 10511		6
10	802.100.700	Bolt M10 x 70 - ISO 4014		2
11	802.060.600	Bolt M6 x 60 - ISO 4014		4
12	864.100.031	Large washer M10 - DIN 9021		2
13	802.100.800	Bolt M10 x 80 - ISO 4014		1
14	460.504.232	Weldment spindle		2
15	402.070.140	Distance Bush		4
16	468.031.180	Lock Plate		2
17	474.251.162	Lever Jack		2
18	402.110.450	Bush Ø18/Ø11 L=45		2
19	802.060.650	Bolt M6 x 65 - ISO 4014		2
20	900.260.414	Decall Ruler		2
21	464.080.300	Distance Block		2
22	464.042.002	Height indicator strip		2
23	470.069.180	Guide frame		1
24	468.069.180	Lock plate		1
25	446.129.180	Rubber plate		1
26	406.110.620	Distance bush Ø20/Ø10.5 L=62		1
27	521.190.920	Top Link Pin Ø19 L=92		2
28	523.030.750	R-Clip Round 3, DIN 11024		2
29	523.120.650	Linch Pin D12		1
30	521.190.740	Top Link Pin Ø19 L=74		1



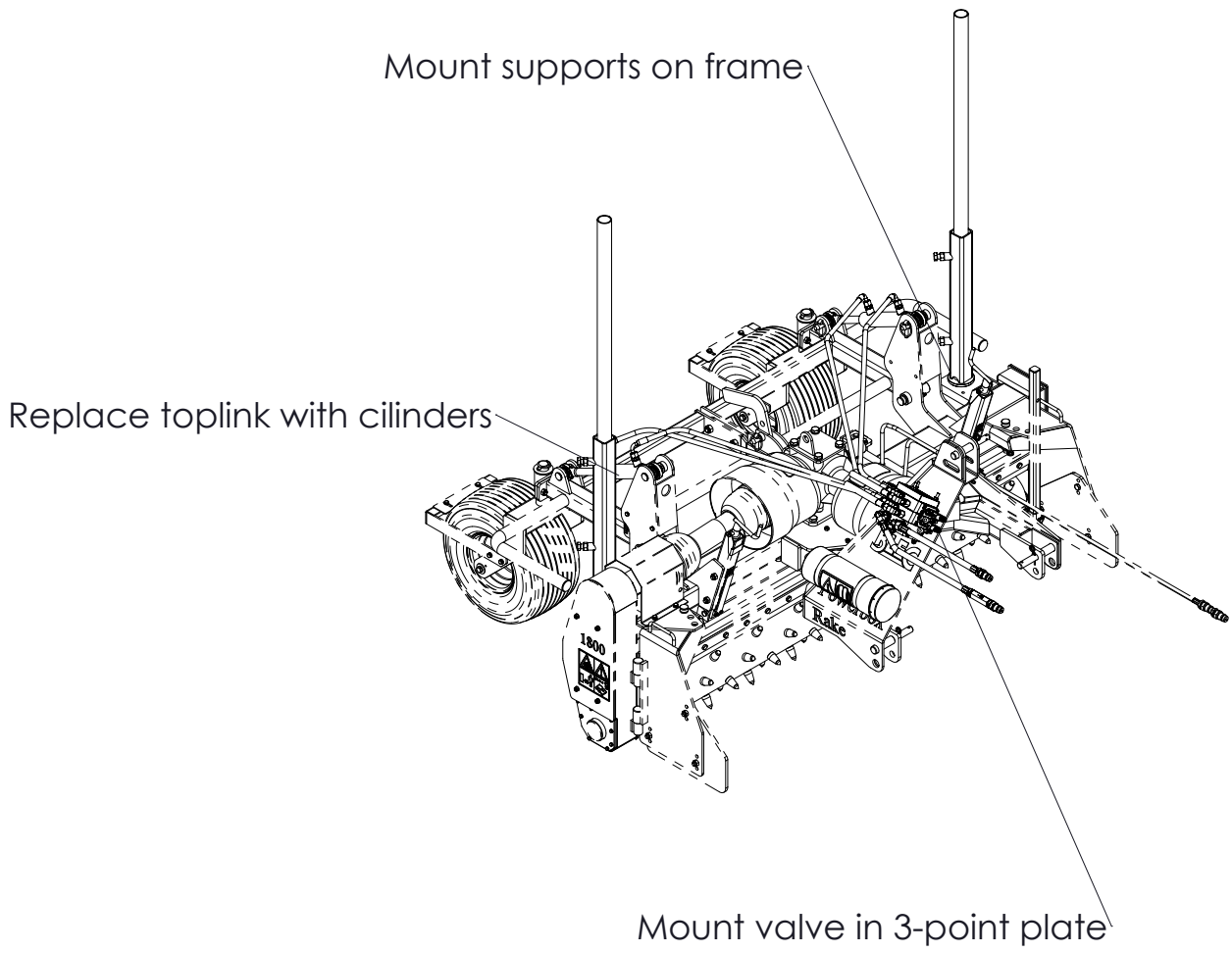
ITEM	PART NUMBER	DESCRIPTION	REMARKS	QUA
1	830.160.160	Self Lock Nut M16 - ISO 10511		8
2	804.160.450	Bolt M16 x 45 - ISO 4017		6
3	864.080.030	Washer M8 - ISO 7089		18
4	866.080.020	Spring Washer M8 - DIN 127		14
5	830.080.080	Self Lock Nut M8 - ISO 10511		18
6	804.080.200	Bolt M8 x 20 - ISO 4017		2
7	804.080.120	Bolt M8 x 12 - ISO 4017		2
8	802.160.550	Bolt M16 x 55		2
9	866.060.020	Spring Washer M6 - DIN 127		8
10	804.060.120	Bolt M6 x 12 - ISO 4017		8
11	470.061.980	Bearing support		1
12	804.080.160	Bolt M8 x 16 - ISO 4017		12
13	866.160.020	Spring Washer M16 - DIN 127		4
14	804.160.350	Bolt M16 x 35 - ISO 4017		4
15	629.123.108	Cover PTO Shaft		1
16	629.275.242	PTO Cover 4xØ10 PD95		2
17	468.122.500	Gearbox plate		1
18	622.190.290	Gearbox T-278A 9.278.008.10 1.92:1		1
19	470.081.504	Lift plate		1
20	537.380.360	Breather 3/8" BSP		1
21	406.170.140	Distance bush Ø30 / Ø17 L=15		4
22	816.160.500	Bolt M16 x 50 - DIN 7991		4
23	468.021.440	Bearing cover		1
24	456.028.069	Side cover		1
25	456.016.022	Drive cover		1
26	456.041.820	Gear cover	Apply silicone sealant (Loctite 5926)	1
27	921.280.402	Safety decall VS		2
28	446.035.300	Rubber seal		1
29	596.140.270	Bulkhead coupling		1
30	844.140.060	Nut M14x1.5		1
31	880.080.100	Grease nipple M8 DIN 71412A		1
32	744.400.490	Front roller bearing		1
33	446.045.020	Rubber seal		1
34	468.065.020	Cover plate		1
35	941.260.406	Label 1800		2
36	416.121.002	Stud		6
37	596.120.240	Grease nipple connector		1
38	596.060.060	Connector		2
39	596.062.000	Grease Hose L=200		1

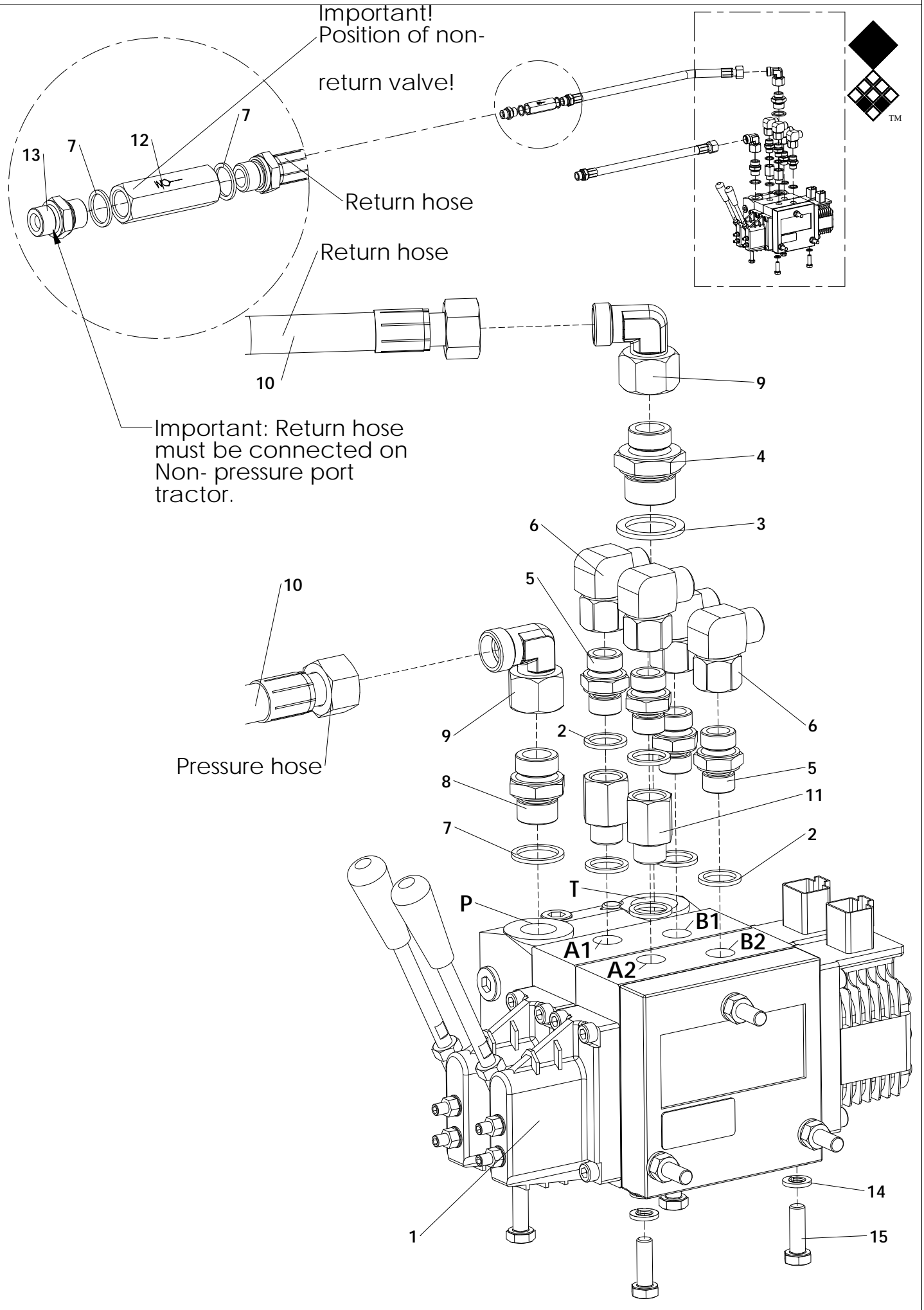


ITEM	PART NUMBER	DESCRIPTION	REMARKS	QUA
1	830.160.160	Self Lock Nut M16 10.9 - ISO 10511		2
2	830.120.120	Self Lock Nut M12 - ISO 10511		1
3	830.100.100	Self Lock Nut M10 - ISO 10511		4
4	804.100.300	Bolt M10 x 30 - ISO 4017		4
5	826.120.120	Nut M12 - DIN 934		2
6	864.120.030	Washer M12 - ISO 7089		1
7	820.121.000	MH Bolt M12 x 100 ISO 8677		1
8	830.080.080	Self Lock Nut M8 - ISO 10511		4
9	802.160.550	Bolt M16 x 55		2
10	488.236.919	Rotor PBR180		1
11	353.125.032	Weld on Carbide tooth		93
12	474.800.740	Bearing house		1
13	420.352.000	Splined shaft 1-3/8" L=251		1
14	713.350.140	Bearing 6007 2RS		2
15	406.340.350	Distance bush		1
16	872.065.250	Circlip DIN 472 - 65x2.5		2
17	870.035.160	Circlip d=35 - DIN 471		2
18	631.041.370	Chain 1" L=1370		1
19	406.410.120	Distance bush Ø52/Ø41 L=5		1
20	639.041.080	Sprocket KSR20 Z=12		1
21	470.032.320	Tensioner		1
22	638.040.250	Chain connector 1" Simplex		1
23	468.021.440	Bearing cover		1
24	416.121.150	Stud Ø12 WL=107		4
25	884.120.320	Key 12x8x32 - DIN 6885		1
26	884.100.400	Key 10x8x40 - DIN 6885		1
27	494.200.055	Frame PBR180		1
28	864.120.031	Large washer M12 - DIN 9021		1
29	596.140.270	Bulkhead coupling		1
30	844.140.060	Nut M14x1.5		1
31	880.080.100	Grease nipple M8 DIN 71412A		1
32	596.120.240	Grease nipple connector		1
33	596.060.060	Connector		2
34	596.062.000	Grease Hose L=200		1
35	744.400.490	Front roller bearing		1
36	600610	PTO complete T60 with disc clutch	Complete (detail see page P2)	1
37	631.040.042	Chain wheel 1" - Z=13		1
38	631.040.044	Chain wheel 1" - Z=13		1
39	818.080.160	Set screw M8 x 16 - DIN 913		2
40	818.100.120	Set screw M10 x 12 - DIN 916		2
41	402.120.060	Washer		1
42	866.120.020	Spring Washer M12 - DIN 127		1
43	804.120.350	Bolt M12 x 35 - ISO 4017		1

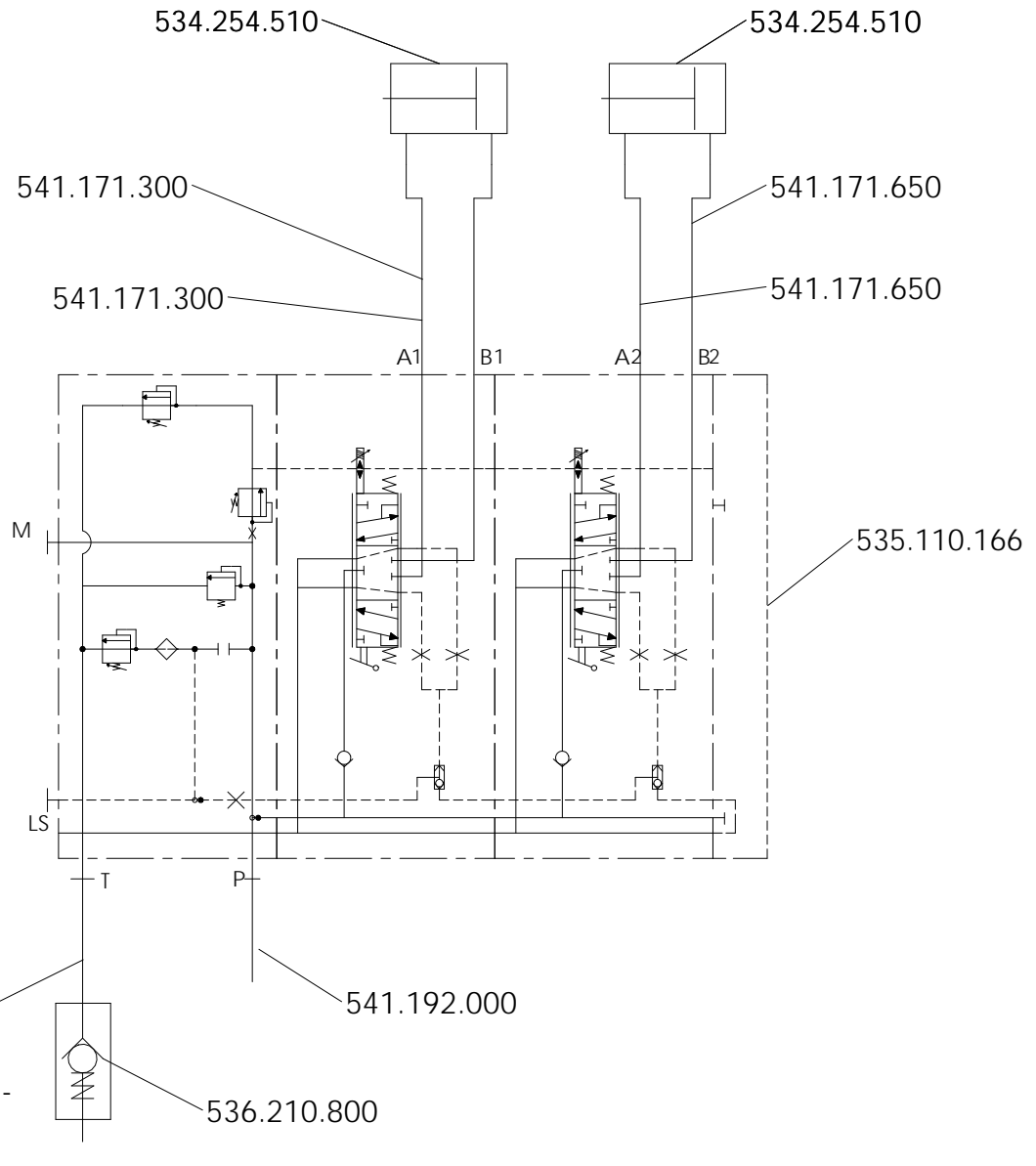


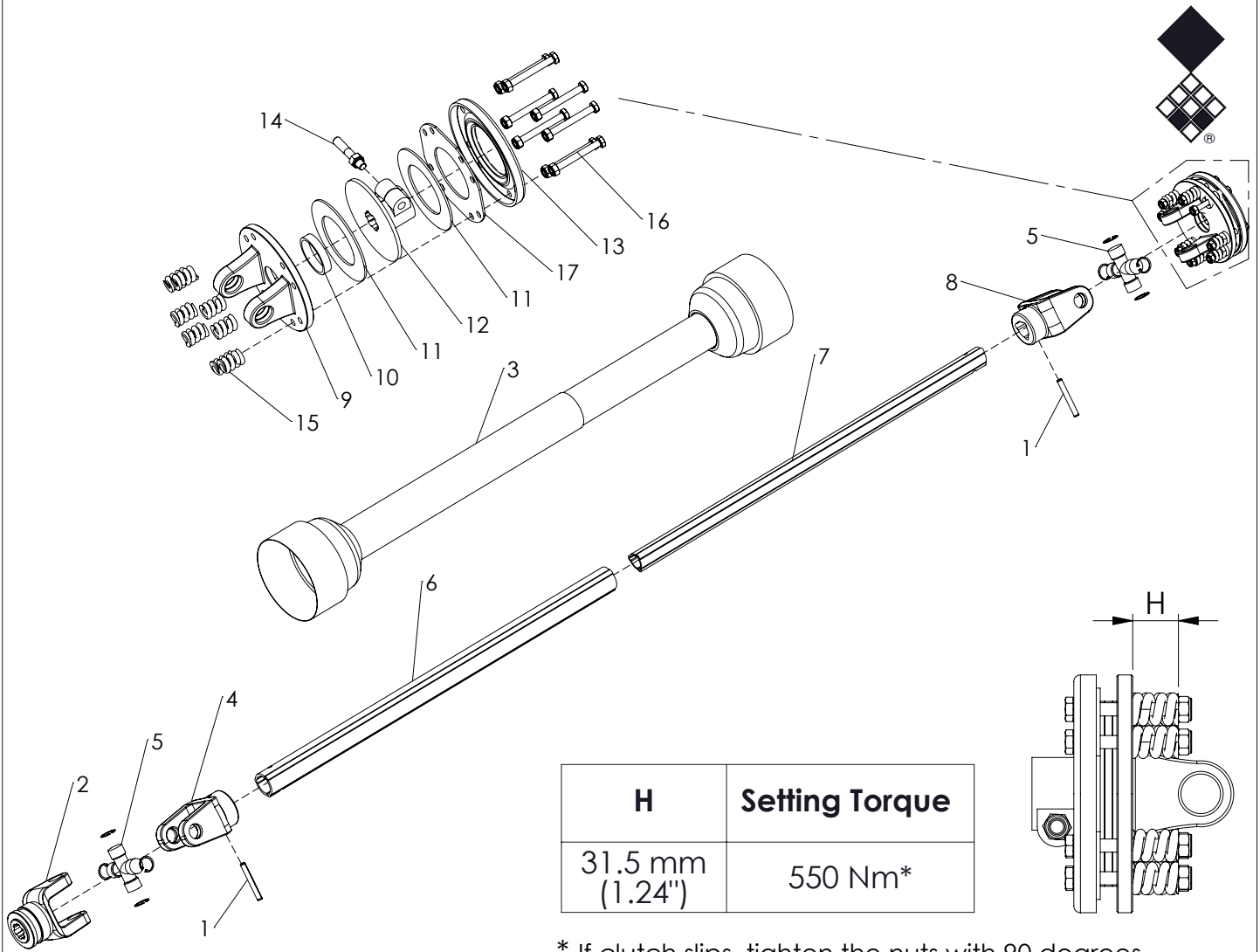
ITEM	PART NUMBER	DESCRIPTION	REMARKS	QUA
1	462.906.160	Pole base		2
2	826.160.160	Nut M16 - DIN 934		4
3	804.160.600	Bolt M16 x 60 - ISO 4017		4
4	476.489.150	Pole		2
5	864.160.031	Large washer M16 - DIN 9021		2
6	804.160.250	Bolt M16 x 25 - ISO 4017		2
7	866.160.020	Spring Washer M16 - DIN 127		2
8	864.200.030	Washer M20 - ISO 7089		8
9	534.254.510	Hydraulic cilinder 25/40 stroke=125		2
10	292.150.014	2 Section proportional valve assembly	Page 09	1
11	874.170.020	Copper washer 3_8		4
12	544.170.120	Nipple BSP 3_8" x pipe 12 (M18)		4
13	874.210.020	Copper washer 1_2		2
14	545.210.800	Quick connector male 1/2"		2
15	541.171.300	Hose NSK10-3/8" TL=1300 PGLO1018 + PGLO101890		1
16	541.171.300	Hose NSK10-3/8" TL=1300 PGLO1018 + PGLO101890		1
17	541.171.650	Hose NSK10-3/8" TL=1650 PGLO1018 + PGLO101890		1
18	541.171.650	Hose NSK10-3/8" TL=1650 PGLO1018 + PGLO101890		1
19	549.011.500	Hose binder L=1500		2





ITEM	PART NUMBER	DESCRIPTION	REMARKS	QUA
1	535.110.166	PVG16 Valve 2 sections		1
2	874.170.020	Copper washer 3_8		6
3	874.260.020	Copper washer 3/4"		1
4	544.260.222	Nipple pipe 3_4"x pipe 15 (M22)		1
5	544.170.120	Nipple BSP 3_8" x pipe 12 (M18)		4
6	544.123.180	L-Connector PM, Pipe 12-M18		4
7	874.210.020	Copper washer 1_2		3
8	544.210.150	Nipple BSP 1_2" x pipe 15 (M22)		1
9	544.151.150	L-Connector PM. Pipe 15-M22		2
10	541.192.000	Hose NSK13-1/2" TL=2500 PGL01322 PN138		2
11	543.170.172	Extension nipple G3/8"xG3/8" L=23.5mm		2
12	536.210.800	SL Non-Return Valve 1/2", 0.5 bar		1
13	543.210.210	Nipple BSP 1_2" x 1_2" 60deg		1
14	866.080.020	Spring Washer M8 - DIN 127		4
15	804.080.250	Bolt M8 x 25 - ISO 4017		4 </td



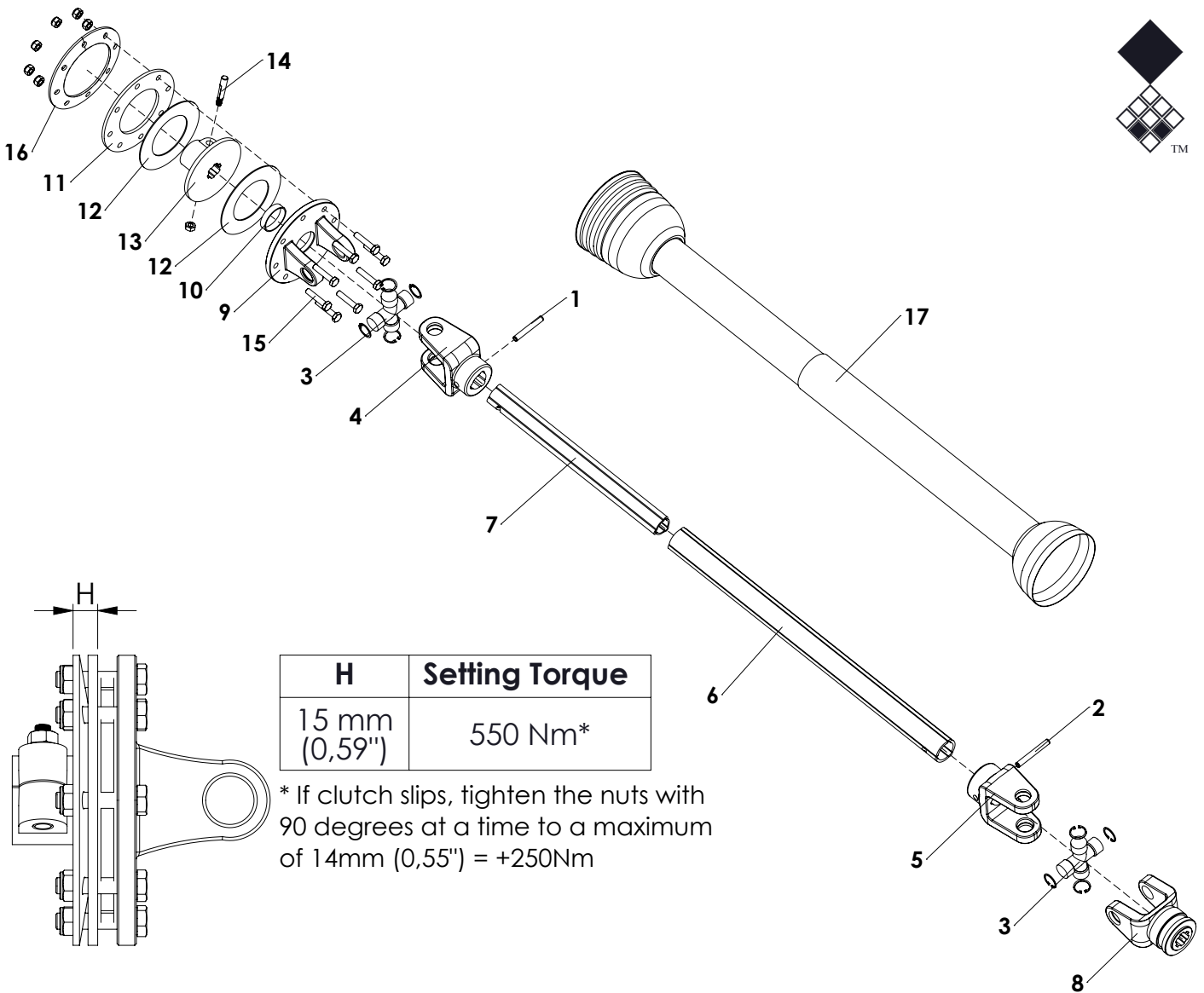


H	Setting Torque
31.5 mm (1.24")	550 Nm*

* If clutch slips, tighten the nuts with 90 degrees at a time to a maximum of 30.5mm (1.20") = +200Nm

ALWAYS deburr parts when cut
MEASURE correct length of PTO first
MAINTAIN slipclutch every month
NEVER USE PTO over 30 degrees
SLIPCLUTCH always on machine side

ITEM	PART NUMBER	DESCRIPTION	REMARKS	QUA
1	19000018	Outer roll pin		2
2	BEN PT140119	End yoke with quick lock		1
3	BEN PT143249	Safety guard group	Cut to correct length	1
4	BEN PT143666	Outer tube yoke		1
5	BEN PT151242	Universal joint assembled		2
6	BEN PT154926	Tubing cut to size	Cut to correct length	1
7	BEN PT157727	Tubing cut to size	Cut to correct length	1
8	BEN PT158836	Inner tube yoke		1
9	BEN F1B06	Flange yoke		1
10	BEN F060	Bush		1
11	BEN F030/S	Lining ring		2
12	BEN F138	Hub		1
13	BEN F1180	Pressure plate		1
14	BEN 90938	Conic bolt and nut		1
15	BEN F0111	Spring		8
16	BEN F10085	Bolt and nut		8
17	BEN F070	Inner plate		1
	611.601.200	PTO shaft type T-60 tl 1200		
	611.606.100	PTO shaft type T-60 tl 610		

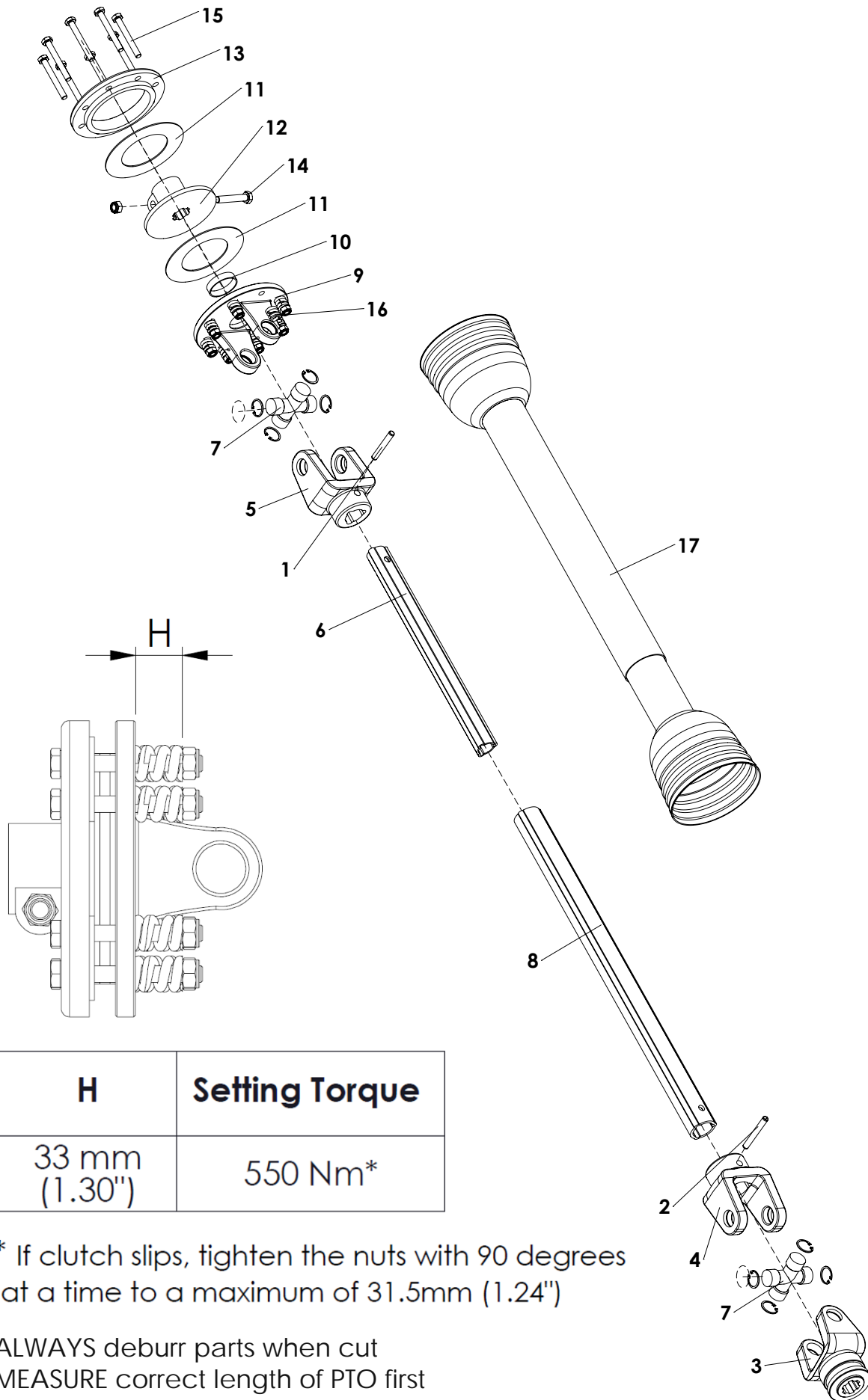


H	Setting Torque
15 mm (0,59")	550 Nm*

* If clutch slips, tighten the nuts with 90 degrees at a time to a maximum of 14mm (0,55") = +250Nm

ALWAYS deburr parts when cut
MEASURE correct length of PTO first
MAINTAIN slipclutch every month
NEVER USE PTO over 30 degrees
SLIPCLUTCH always on machine side

ITEM	PART NUMBER	DESCRIPTION	REMARKS	QUA
1	19000016	Inner roll pin		1
2	19000018	Outer roll pin		1
3	180016130	Cross and 4x circlip kit		2
4	1510160291	Inner tube yoke type 60		1
5	1510160281	Outer tube yoke type 60		1
6	1521604610700	T60-series Outer tube	Cut to correct length	1
7	153150334	T60-series Inner tube	Cut to correct length	1
8	1410265441	Complete collar yoke type 60		1
9	1510168091	Flanged yoke T60		1
10	180015020	Bush		1
11	180017569	Pressure plate		1
12	180015019	Lining ring		2
13	1510169321	Hub T60		1
14	165000588	Tapered Pin 1 3/8" kit	Retighten every 40 hours	1
15	165000858	Bolt & nut M10 x 1,5 x 50		8
16	180017426	Belleville spring		1
17	1423600167651	Complete guard 60-series	Cut to correct length	1
	600610	Complete PTO T60		

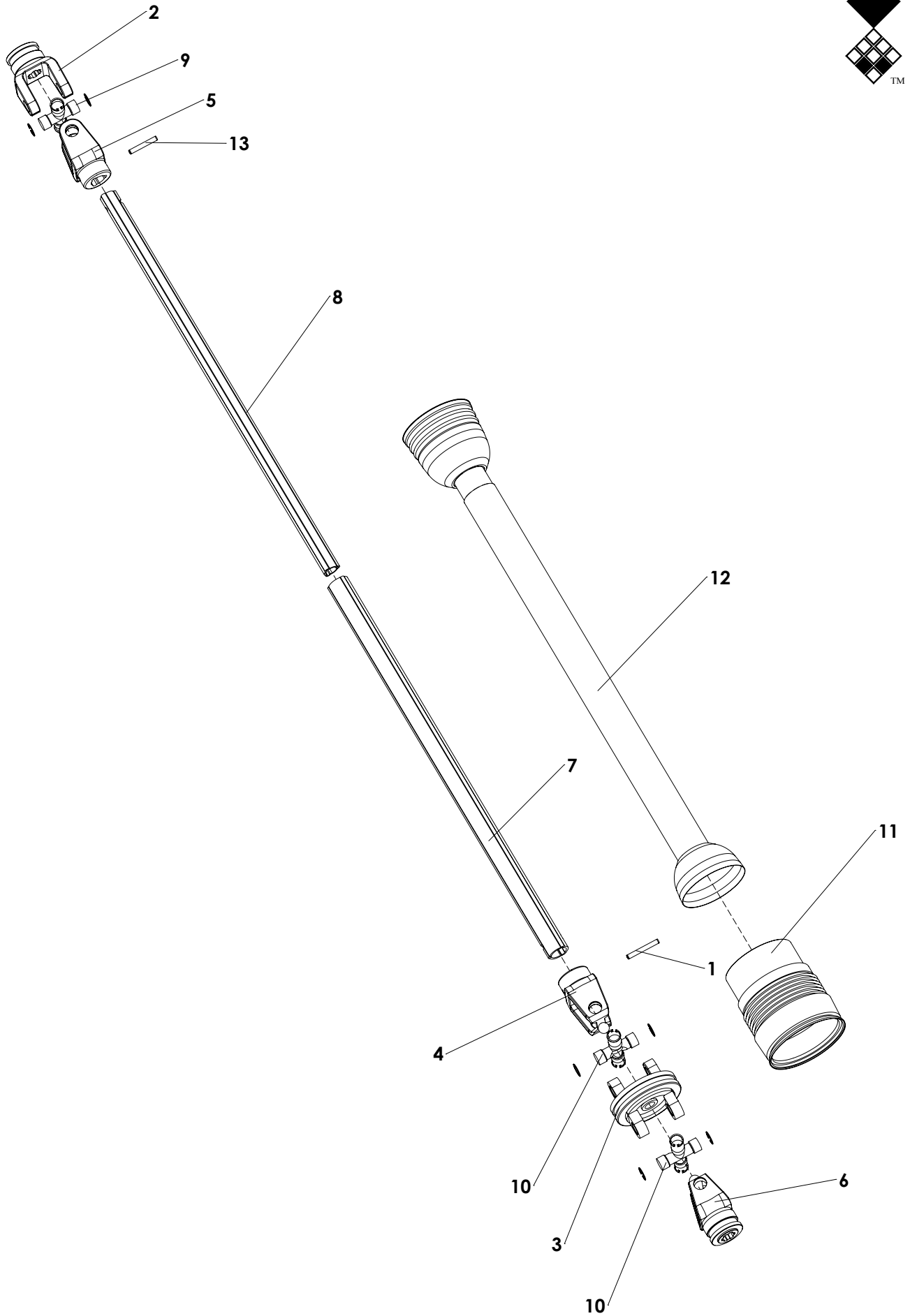


H	Setting Torque
33 mm (1.30")	550 Nm*

* If clutch slips, tighten the nuts with 90 degrees at a time to a maximum of 31.5mm (1.24")

ALWAYS deburr parts when cut
 MEASURE correct length of PTO first
 MAINTAIN slipclutch every month
 NEVER USE PTO over 30 degrees
 SLIPCLUTCH always on machine side

ITEM	PART NUMBER	DESCRIPTION	REMARKS	QUA
1	190000016	Inner roll pin		1
2	190000018	Outer roll pin		1
3	141026108	Complete collar yoke type 60		1
4	151016028	Outer tube yoke type 60		1
5	151016029	Inner tube yoke type 60		1
6	153160150	T60-series Inner tube		1
7	180016130	Cross and 4x circlip kit		2
8	152160475	T60-series Outer tube		1
9	151016039	Flanged yoke T60		1
10	180015020	Bush		1
11	180015019	Lining ring		2
12	151015018	Hub T60		1
13	180015021	Pressure plate		1
14	165000502	Bolt and Nut	Retighten every 40 hours	1
15	165000501	Bolt and nut		8
16	180014022	Spring		8
17	1422602987630	Complete guard 60-series	Cut to correct length	1
	600610	Complete PTO		
		ALWAYS deburr parts when cut		
		MEASURE correct length of PTO first		
		MAINTAIN slipclutch every month		
		NEVER USE PTO over 30 degrees angle		
		SLIPCLUTCH always on machine side		



ITEM	PART NUMBER	DESCRIPTION	REMARKS	QUA
1	19000018	Outer roll pin		1
2	141026544	Complete collar yoke type 60		1
3	141026224	Double yoke T60		1
4	141026229	Outer tube yoke type 60 WA		1
5	151016029	Inner tube yoke type 60		1
6	141026503	Complete collar yoke type 60 WA		1
7	1521605357800	T60-series Outer tube		1
8	159160834	T60-series Inner tube		1
9	180016130	Cross and 4x circlip kit		1
10	180016228	Cross and 4x circlip kit WA		2
11	180026611	Protection cover wide angle		1
12	1427615163650	Complete guard 60-series		1
13	19000016	Inner roll pin		1
	613.809.122	Complete PTO T60 Wide angle		