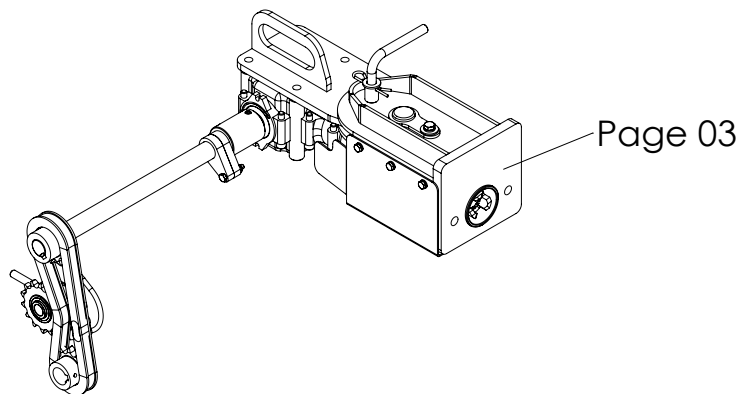
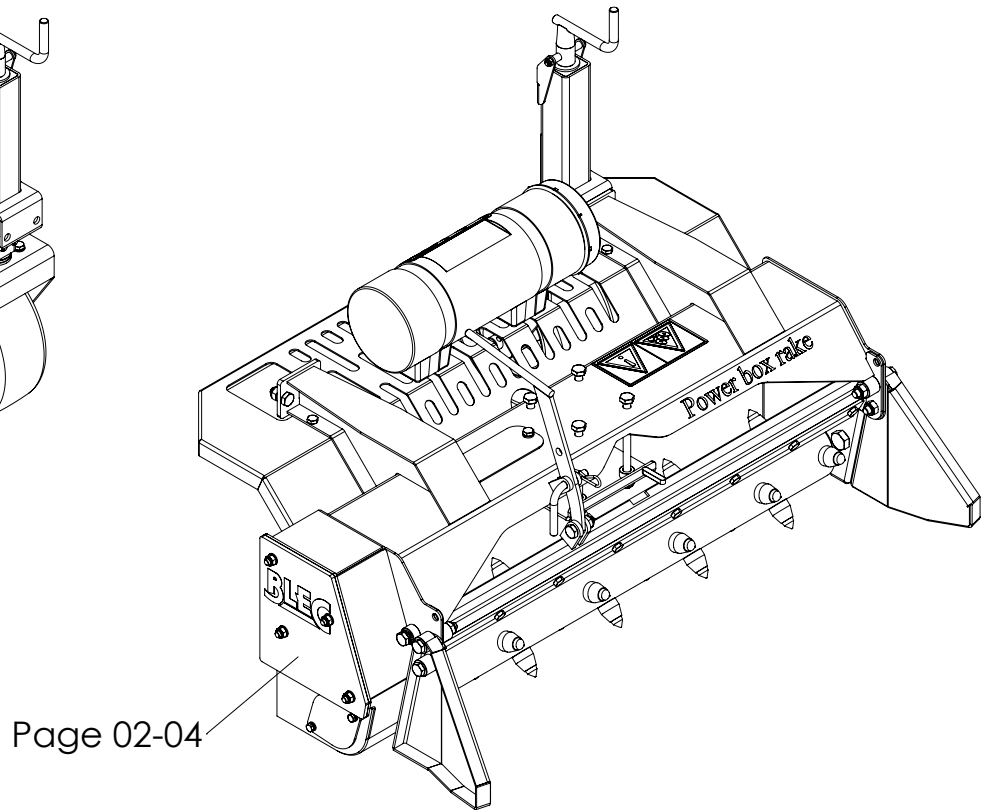
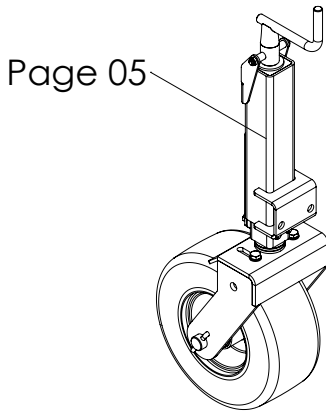
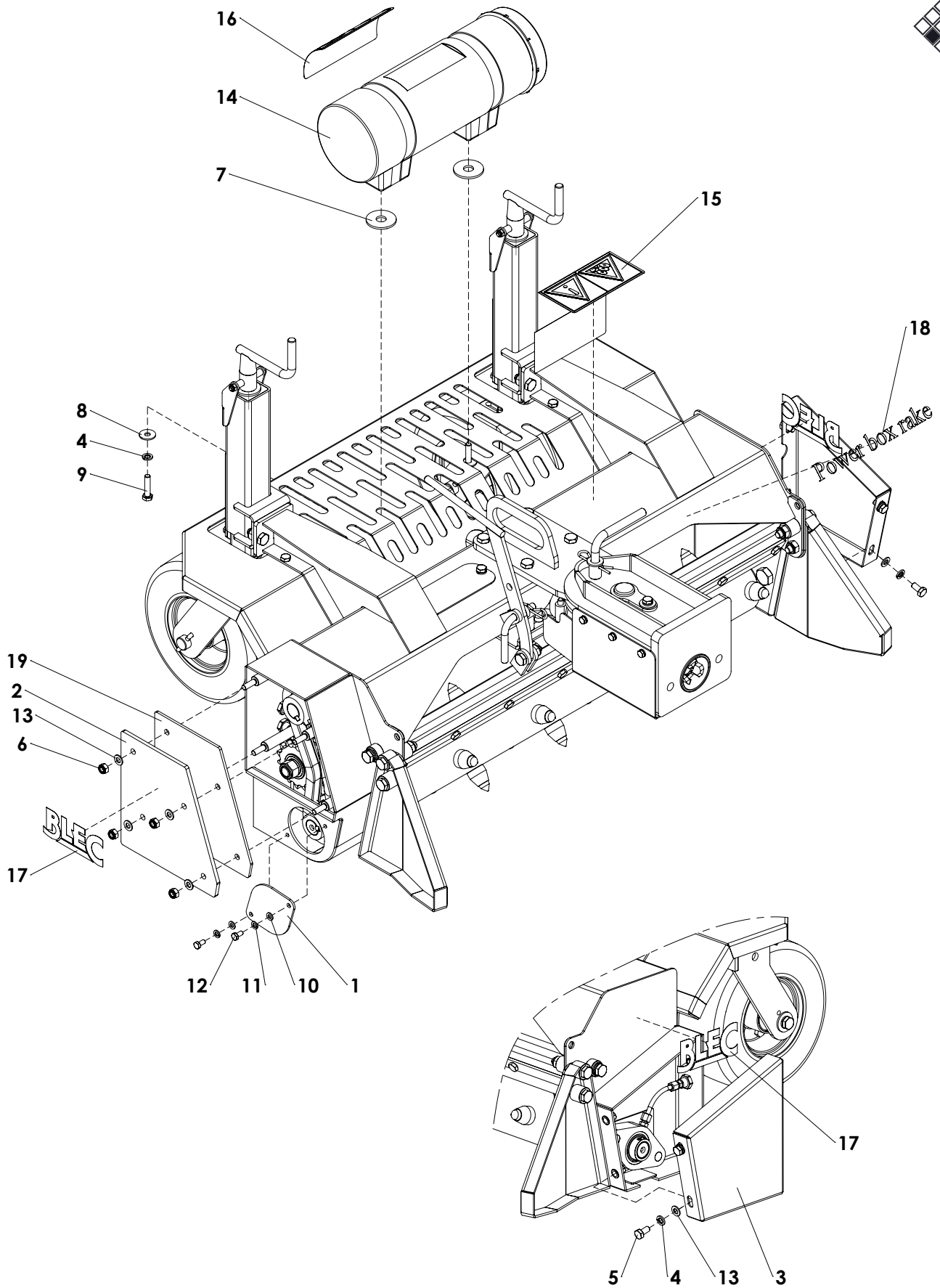


POWER BOX RAKE 800

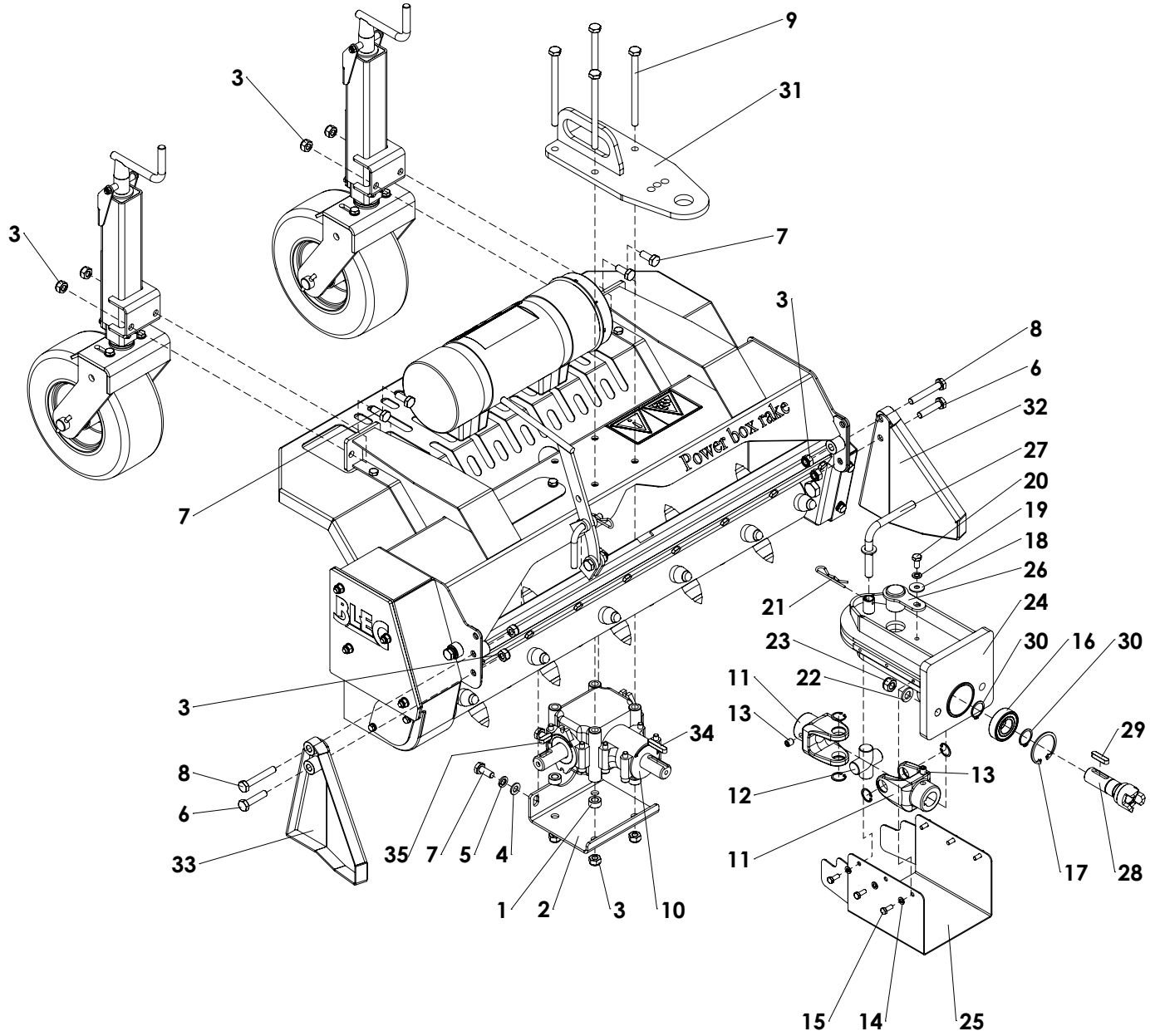


Version: 2139

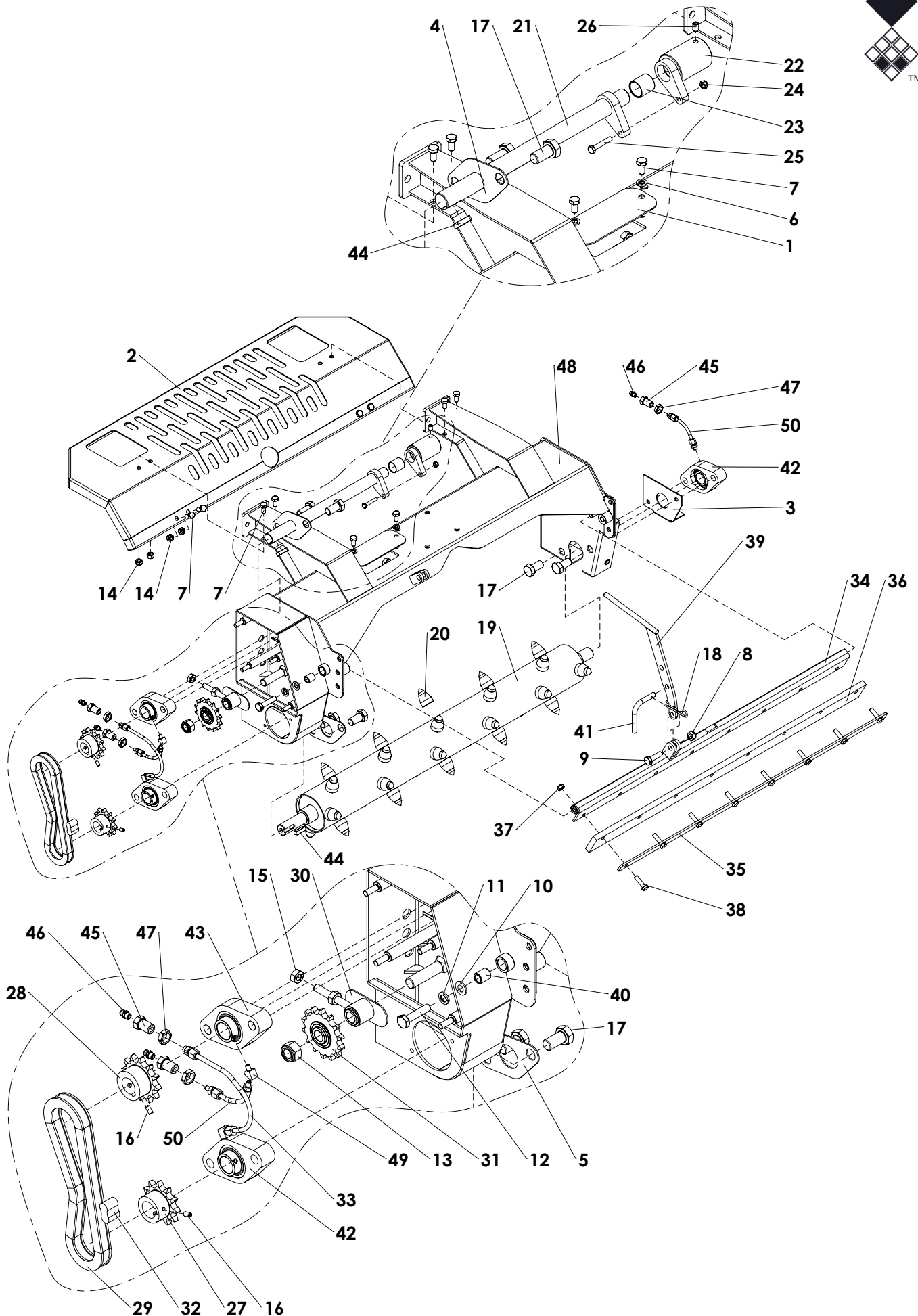




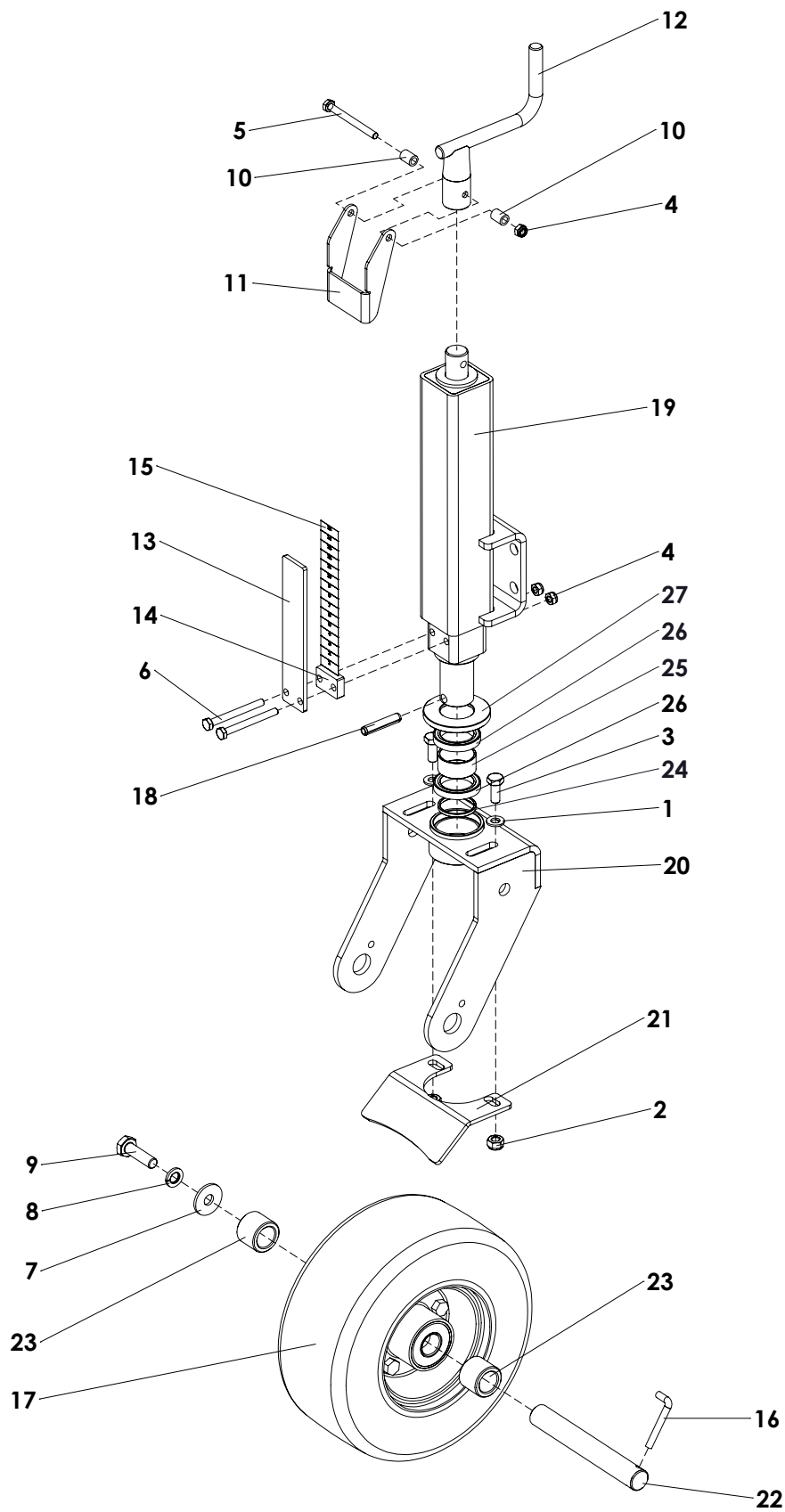
ITEM	PART NUMBER	DESCRIPTION	REMARKS	QUA
1	468.031.150	Cover plate		1
2	468.062.020	Cover plate		1
3	456.275.261	Cover		1
4	866.080.020	Spring Washer M8 - DIN 127		6
5	804.080.160	Bolt M8 x 16 - ISO 4017		4
6	830.080.080	Self Lock Nut M8 - ISO 10511		4
7	864.140.031	Large washer M14 - DIN 9021		2
8	864.080.024	Large washer M8 - DIN 9021		2
9	804.080.350	Bolt M8 x 35 - ISO 4017		2
10	864.060.030	Washer M6 - ISO 7089		2
11	866.060.020	Spring Washer M6 - DIN 127		2
12	804.060.120	Bolt M6 x 12 - ISO 4017		2
13	864.080.030	Washer M8 - ISO 7089		8
14	444.803.100	Toolbox Complete		1
15	921.280.402	Safety decall VS		1
16	900.280.402	Safety decall manual		1
17	900.260.502	Decall Blec Small		2
18	952.260.418	Label Power Box Rake		1
19	446.042.020	Seal plate		1



ITEM	PART NUMBER	DESCRIPTION	REMARKS	QUA
1	402.110.100	Pivot bush Ø20/Ø10.5 L=10		4
2	468.041.602	Gearbox plate		1
3	830.100.100	Self Lock Nut M10 - ISO 10511		12
4	864.100.030	Washer M10 - ISO 7089		2
5	866.100.020	Spring Washer M10 - DIN 127		2
6	804.100.450	Bolt M10 x 45 - ISO 4017		2
7	804.100.250	Bolt M10 x 25 - ISO 4017		6
8	802.100.650	Bolt M10 x 65 - ISO 4014		2
9	802.101.400	Bolt M10 x 140 - ISO 4014		4
10	622.096.252	Comer L-25A 2.78:1		1
11	151011062	Round yoke T10		2
12	180011004	Cross and 4x circlip kit		1
13	818.100.120	Set screw M10 x 12 - DIN 916		2
14	866.060.020	Spring Washer M6 - DIN 127		6
15	804.060.160	Bolt M6 x 16 - ISO 4017		6
16	713.250.150	Bearing 6205-LLU		1
17	872.052.200	Circlip D=52 - DIN 472		1
18	864.080.024	Large washer M8 - DIN 9021		1
19	866.080.020	Spring Washer M8 - DIN 127		1
20	804.080.160	Bolt M8 x 16 - ISO 4017		1
21	523.030.570	R-Clip D=3		1
22	864.120.030	Washer M12 - ISO 7089		2
23	830.120.120	Self Lock Nut M12 - ISO 10511		2
24	470.062.420	Front link plate		1
25	456.024.015	Drive cover		1
26	474.300.354	Pin		1
27	474.121.060	Lock pin		1
28	472.251.200	Shaft		1
29	884.080.351	Key 8x7x35 - DIN 6885		1
30	870.025.120	Circlip d=25 - DIN 471		2
31	470.103.000	Lift plate		1
32	470.031.770	Flap left		1
33	470.031.772	Flap right		1
34	884.080.400	Key 8x7x40 - DIN 6885		1
35	884.080.250	Key 8x7x25 - DIN 6885		1

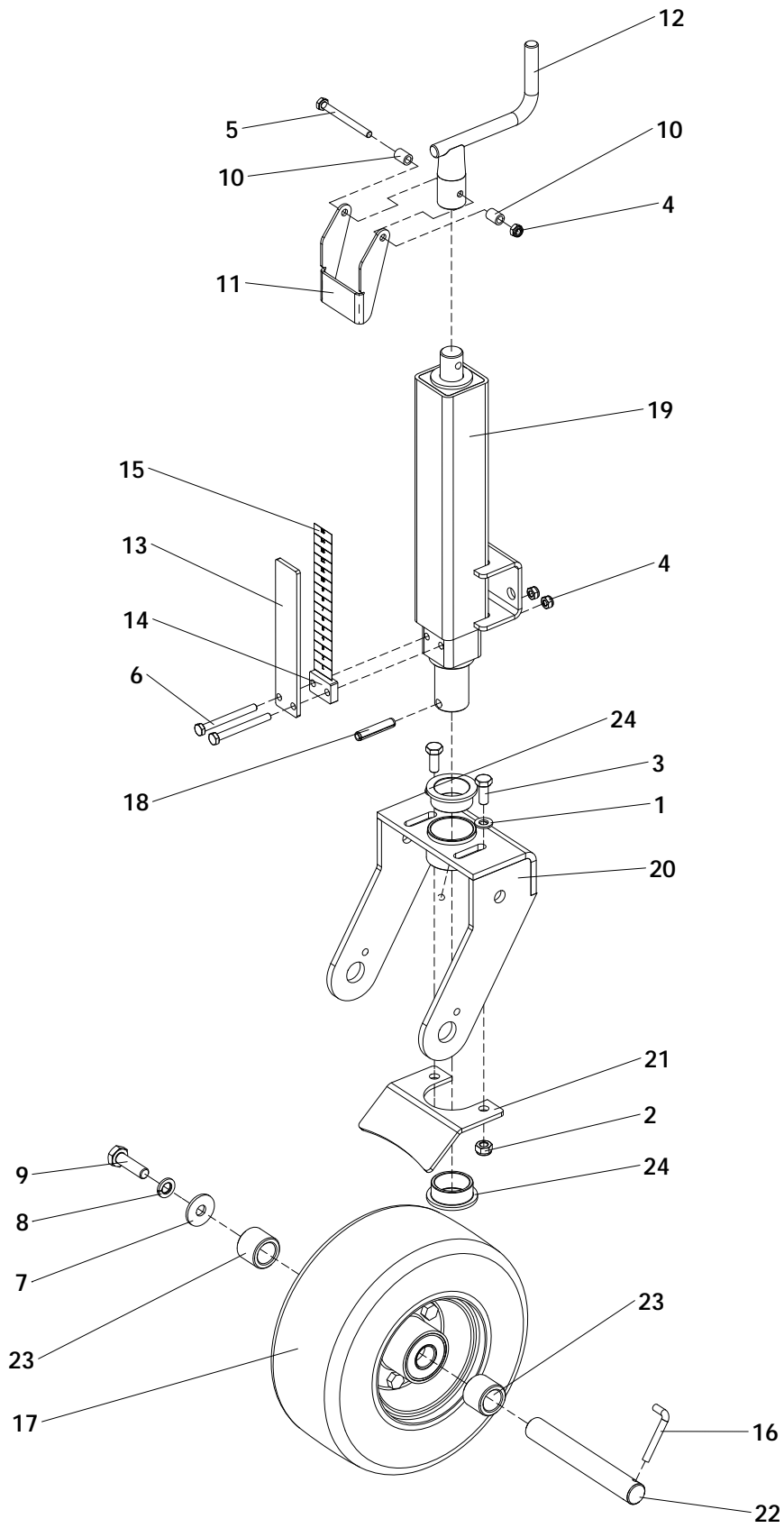
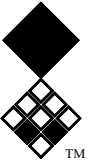


ITEM	PART NUMBER	DESCRIPTION	REMARKS	QUA
1	456.015.006	Drive shaft cover		1
2	456.085.029	Rear cover		1
3	468.021.008	Bearing cover		1
4	456.021.140	Side cover		1
5	456.021.142	Side cover large hole		1
6	866.080.020	Spring Washer M8 - DIN 127		2
7	804.080.160	Bolt M8 x 16 - ISO 4017		10
8	830.100.100	Self Lock Nut M10 - ISO 10511		1
9	804.100.350	Bolt M10 x 35 - ISO 4017		1
10	864.100.030	Washer M10 - ISO 7089		2
11	866.100.020	Spring Washer M10 - DIN 127		2
12	804.100.450	Bolt M10 x 45 - ISO 4017		2
13	830.160.160	Self Lock Nut M16 - ISO 10511		1
14	830.080.080	Self Lock Nut M8 - ISO 10511		8
15	826.100.100	Nut M10 - DIN 934		2
16	818.060.120	Set screw M6 x 12 - DIN 916		2
17	804.160.350	Bolt M16 x 35 - ISO 4017		6
18	523.030.570	R-Clip D=3		1
19	488.089.932	Rotor PBR80		1
20	353.125.036	Carbide tooth	Loose weld part	31
21	474.253.550	Drive shaft		1
22	474.400.720	Drive shaft link		1
23	732.220.250	Bearing bush		1
24	830.060.060	Self Lock Nut M6 - ISO 10511		1
25	810.060.350	Shear Bolt M6 x 35 - ISO 4014 8,8		1
26	818.080.120	Set screw M8 x 12 - DIN 916		2
27	635.020.660	Sprocket 5/8" Simplex Z=11		1
28	635.020.710	Sprocket 5/8" Simplex Z=12		1
29	631.020.570	Chain 5/8" L=570		1
30	470.021.250	Tensioner		1
31	638.020.780	Chain spanner 5/8" Z=14		1
32	638.020.020	Chain connector 5_8 inch 10B Simplex		1
33	596.062.200	Grease hose		1
34	474.258.200	Barrier frame		1
35	464.048.200	Lock strip		1
36	446.128.210	Rubber plate		1
37	830.080.080	Self Lock Nut M8 - ISO 10511		8
38	804.080.300	Bolt M8 x 30 - ISO 4017		8
39	470.061.600	Blade handle		1
40	406.110.182	Pivot bush		2
41	416.100.750	Pin		1
42	744.250.662	Bearing complete		2
43	744.250.660	Bearing complete		1
44	884.080.300	Key 8x7x30 - DIN 6885		2
45	596.140.270	Bulkhead coupling		3
46	880.080.100	Grease nipple M8 DIN 71412A		3
47	844.140.060	Nut M14x1.5		3
48	494.094.041	Frame PBR80		1
49	549.060.002	Grease nipple		1
50	596.060.900	Grease hose L=90mm		2



ITEM	PART NUMBER	DESCRIPTION	REMARKS	QUA
1	864.080.030	Washer M8 - ISO 7089		2
2	830.080.080	Self Lock Nut M8 - ISO 10511		2
3	804.080.200	Bolt M8 x 20 - ISO 4017		2
4	830.060.060	Self Lock Nut M6 - ISO 10511		3
5	802.060.650	Bolt M6 x 65 - ISO 4014		1
6	802.060.600	Bolt M6 x 60 - ISO 4014		2
7	864.100.031	Large washer M10 - DIN 9021		1
8	866.100.020	Spring Washer M10 - DIN 127		1
9	804.100.350	Bolt M10 x 35 - ISO 4017		1
10	402.070.140	Distance Bush		2
11	468.031.180	Lock Plate		1
12	474.251.162	Lever Jack		1
13	464.041.502	Height indicator strip		1
14	464.080.300	Distance Block		1
15	900.260.414	Decall Ruler		1
16	424.060.480	Lock pin		1
17	511.210.091	Wheel 9x3.50-4NHS		1
18	878.080.400	Roll Pin 8 x 40 - ISO 8752		1
19	460.485.200	Spindle		1
20	470.061.831	Wheel frame		1
21	468.030.907	Scraper		1
22	416.201.460	Wheel shaft		1
23	406.200.240	Distance bush Ø30/Ø20.2 L=24.5		2
24	412.300.030	Distance ring		1
25	412.300.160	Distance ring		1
26	713.300.070	Ball race bearing		2
27	412.300.060	Distance ring		1

Quantity per wheel assembly



ITEM	PART NUMBER	DESCRIPTION	REMARKS	QUA
1	864.080.030	Washer M8 - ISO 7089		2
2	830.080.080	Self Lock Nut M8 - ISO 10511		2
3	804.080.200	Bolt M8 x 20 - ISO 4017		2
4	830.060.060	Self Lock Nut M6 - ISO 10511		3
5	802.060.650	Bolt M6 x 65 - ISO 4014		1
6	802.060.600	Bolt M6 x 60 - ISO 4014		2
7	864.100.031	Large washer M10 - DIN 9021		1
8	866.100.020	Spring Washer M10 - DIN 127		1
9	804.100.350	Bolt M10 x 35 - ISO 4017		1
10	402.070.140	Distance Bush		2
11	468.031.180	Lock Plate		1
12	474.251.162	Lever Jack		1
13	464.041.502	Height indicator strip		1
14	464.080.300	Distance Block		1
15	900.260.414	Decall Ruler		1
16	424.060.480	Lock pin		1
17	511.210.091	Wheel 9x3.50-4NHS (order with bush!)		1
18	878.080.400	Roll Pin 8 x 40 - ISO 8752		1
19	460.485.200	Spindle		1
20	470.061.830	Wheel frame		1
21	468.030.901	Scraper		1
22	416.201.460	Wheel shaft		1
23	406.200.240	Distance bush Ø30/Ø20.2 L=24.5		2
24	444.031.016	Spacer		2

Quantity per wheel assembly