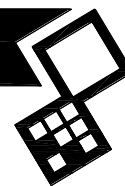


# ***CARRIER***

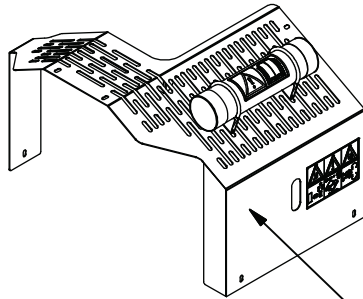
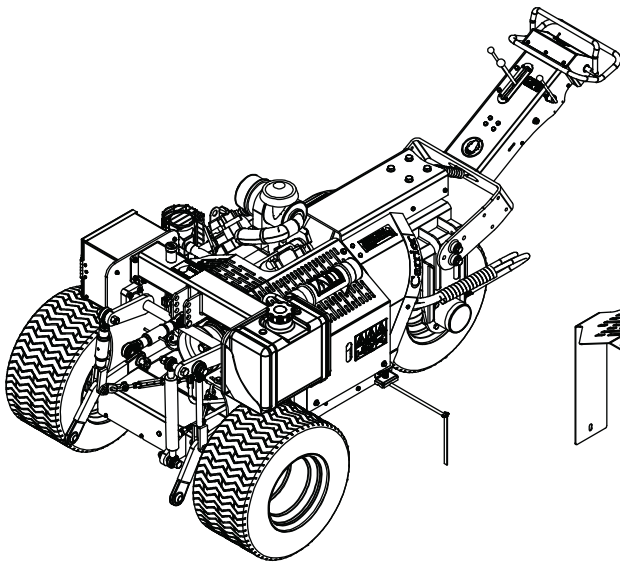


Version: 2423



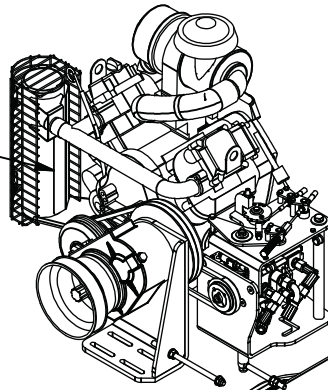
Kwekerijweg 8 | 3709JA | Zeist | The Netherlands |  
T: +31 (0)306 933 227  
E: [redexim@redexim.com](mailto:redexim@redexim.com)  
W: [www.redexim.com](http://www.redexim.com)



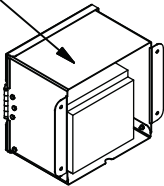


Page 03

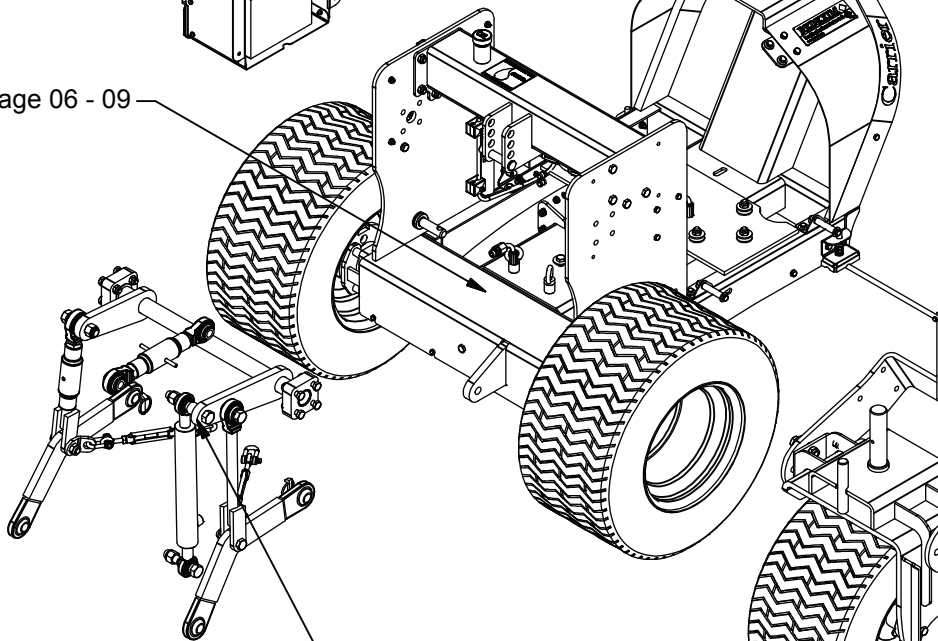
Page 10 - 11



Page 04



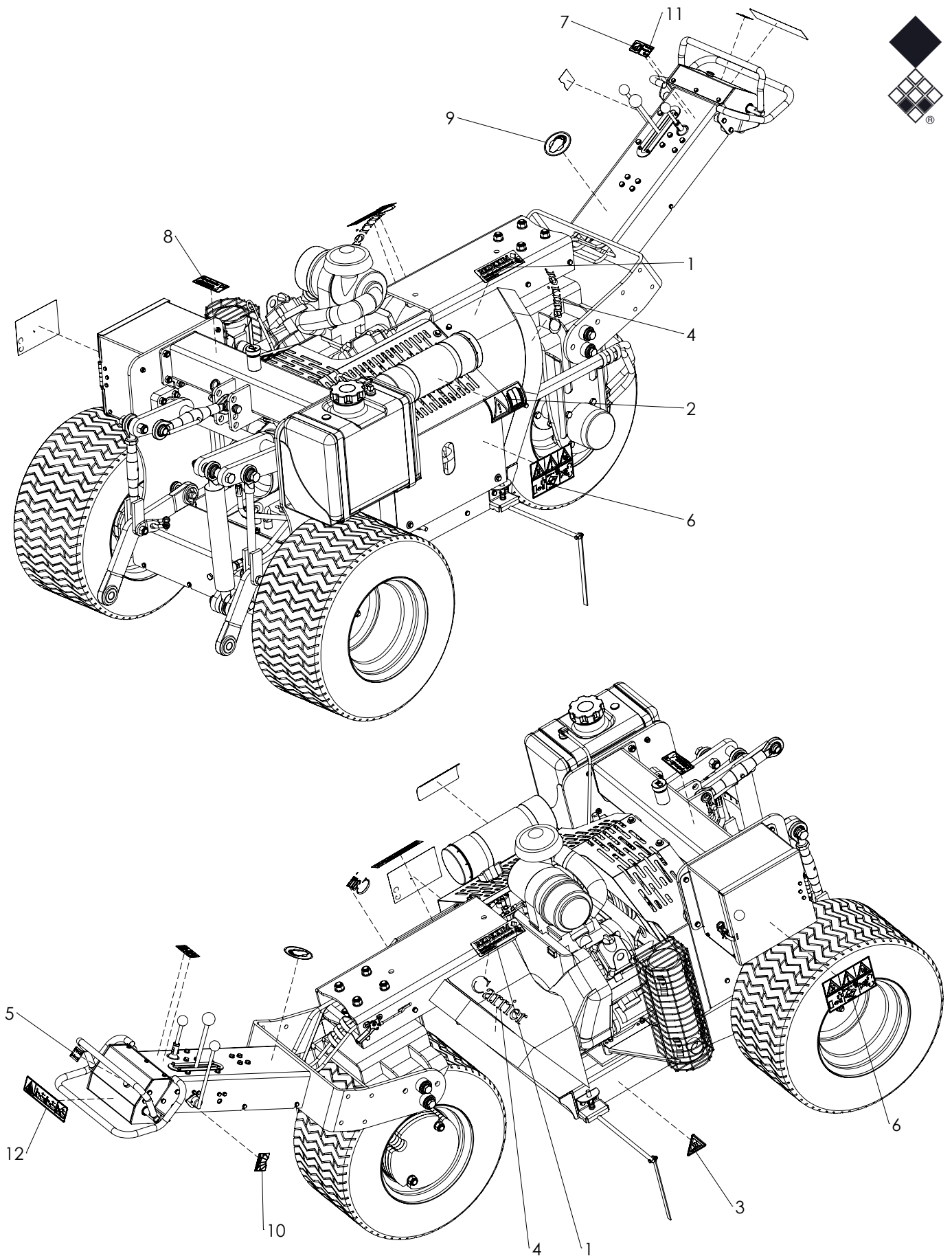
Page 06 - 09



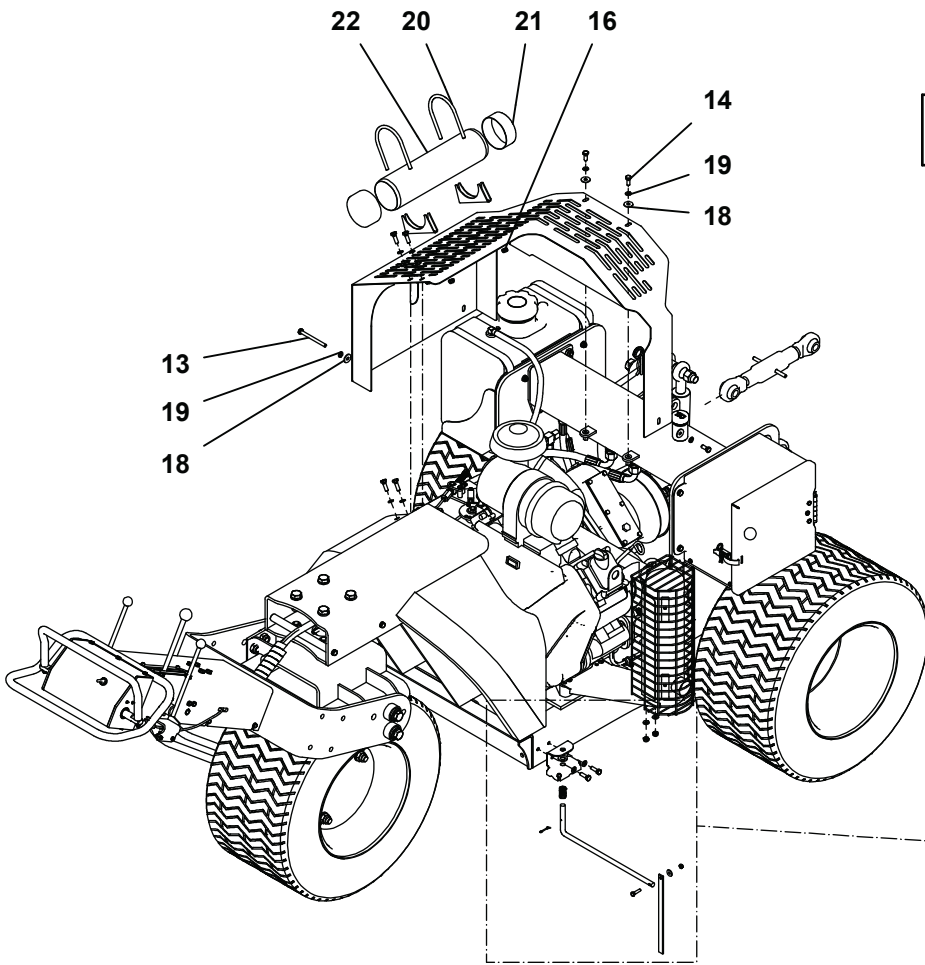
Page 12 - 18

Page 05

Decals Page 02  
Hydraulics Page 19 - 22  
Electric diagram Page 23  
Electric + fuel lines Page 24

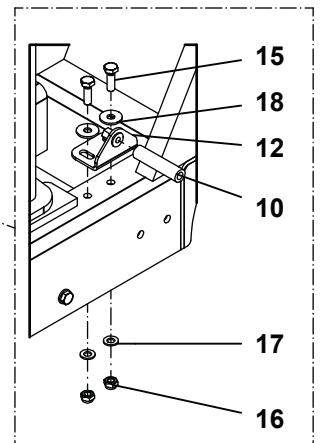
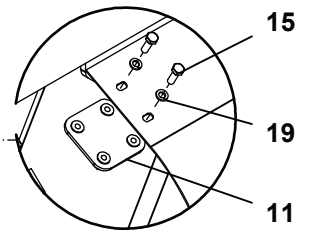
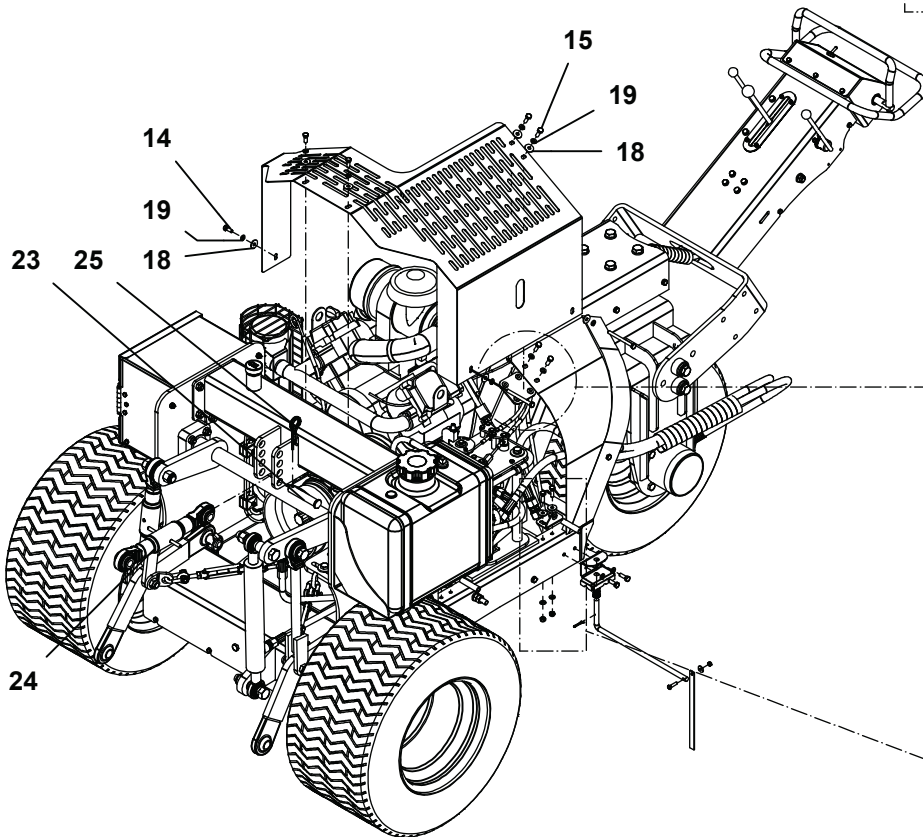
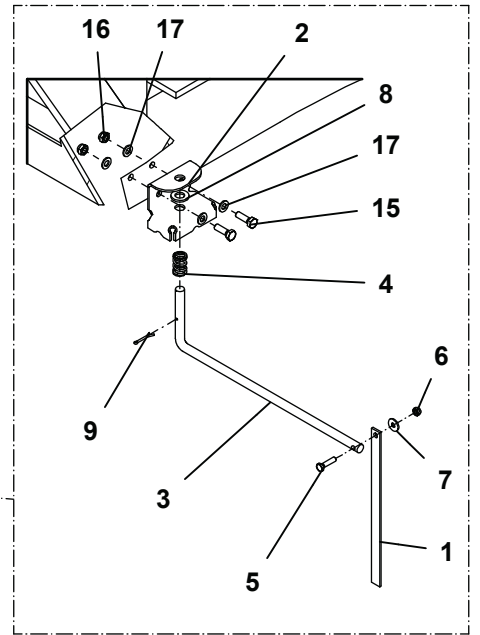


ITEM	PART NUMBER	DESCRIPTION	REMARKS	QUA
1	900.260.403	Logo Label		2
2	900.280.402	Safety decall manual		1
3	900.280.406	Safey Decall Hot Surface		1
4	951.260.404	Label Carrier		2
5	911.260.424	Label 7007 Hydraulic Lever		1
6	911.280.402	Safety Decall Verti-Drain		2
7	911.280.406	Decall parking brake		1
8	911.340.406	Decall oil tank		1
9	911.340.410	Safety decall noise		1
10	951.340.000	Speed Setting Indicator		1
11	911.340.422	Decall Lift		1
12	951.280.000	Safety Decall Carrier		1

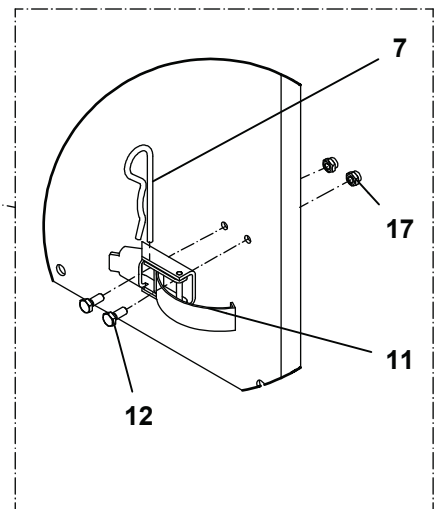
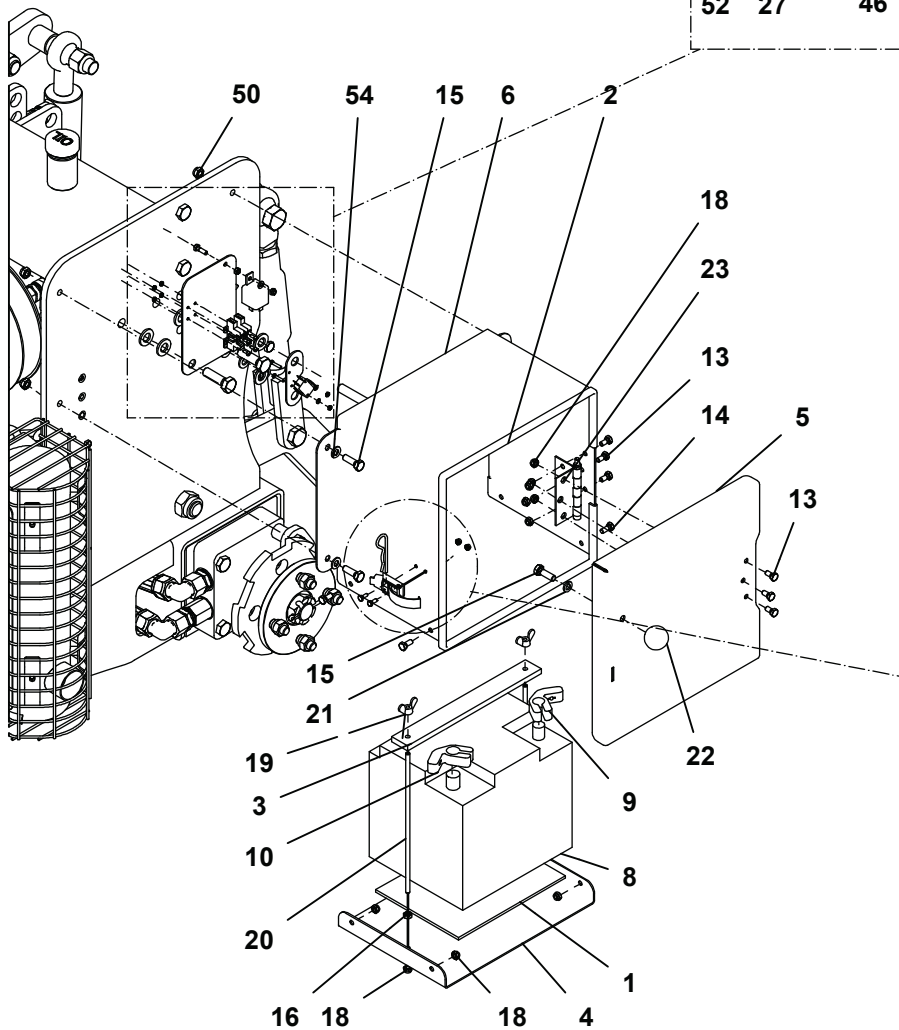
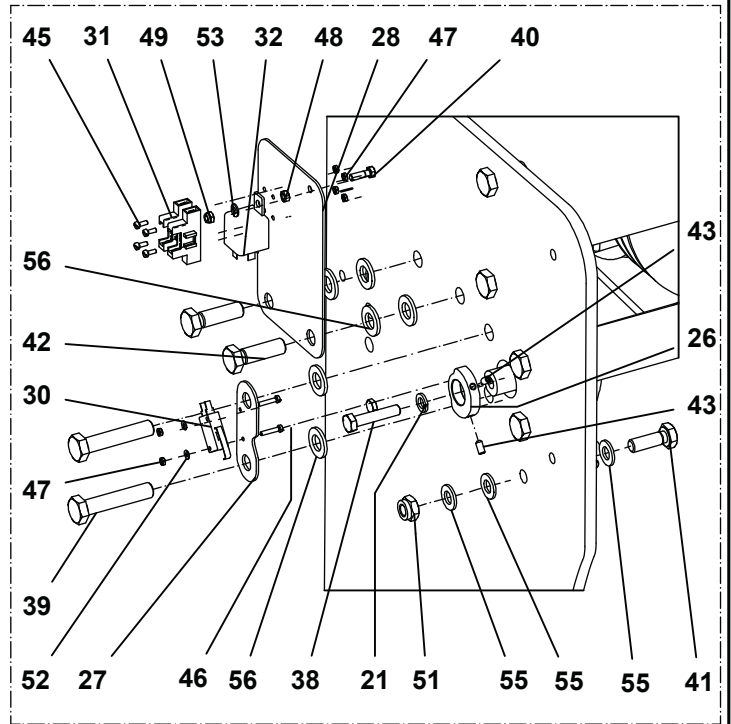
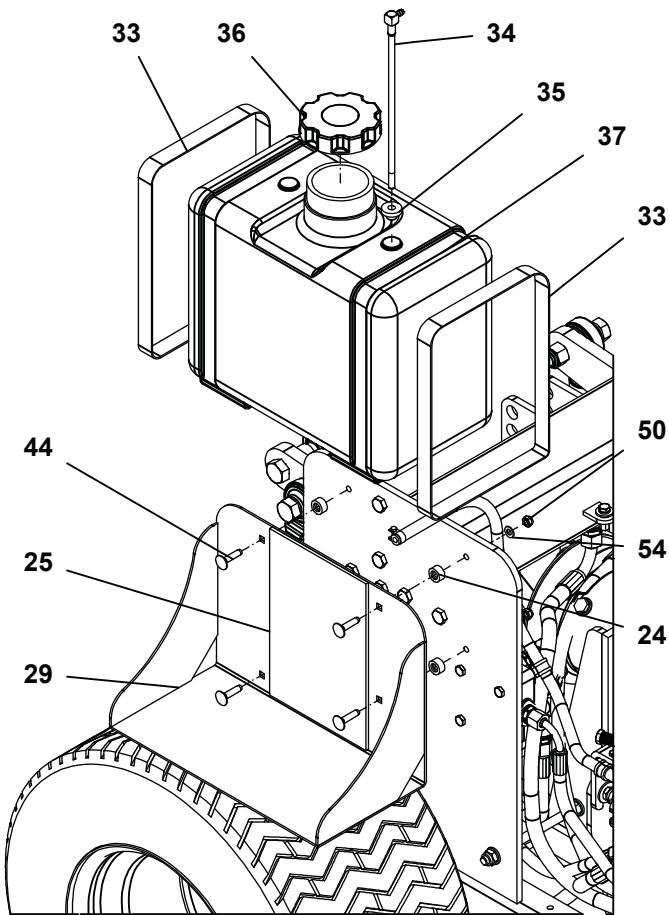


TOOLS

26



	PART #	DESCRIPTION	REMARKS	QUA
1	446.033.002	Rubber work pointer	From serial number: C310212	2
2	468.030.870	Pointer Bracket	From serial number: C310212	2
3	472.123.440	Pointer Arm	From serial number: C310212	2
4	576.030.300	Compression Spring Ø18.5/Ø13.5 L=27.5	From serial number: C310212	2
5	804.060.250	Bolt DIN 933 - M6 x 25	From serial number: C310212	2
6	830.060.060	SL Nut DIN 985 - M6	From serial number: C310212	2
7	864.060.021	Large Washer DIN 9021 - 6,4	From serial number: C310212	2
8	864.120.030	Washer DIN 125 - M12	From serial number: C310212	2
9	882.030.250	Split Pen ISO 1234 - 2.5 x 25	From serial number: C310212	2
10	406.080.630	Distance Bush Ø15/Ø8.5, L= 63		2
11	466.040.800	Cover Bracket Assy		1
12	470.030.600	Cover Bracket		3
13	802.080.900	Bolt DIN 931-1 - M8 x 90		2
14	804.080.200	Bolt DIN 933 - M8 x 20		3
15	804.080.250	Bolt DIN 933 - M8 x 25		14
16	830.080.080	SL Nut DIN 985 - M8		18
17	864.080.030	Washer DIN 125 - M8		14
18	864.080.031	Large Washer DIN 9021 - 8,4		13
19	866.080.021	Spring washer DIN 127 - A 8		7
19	830.080.080	SL Nut DIN 985 - M8		4
20	848.901.200	U-Bolt Complete		2
21	991.140.600	Cover Toolbox		2
22	991.143.400	Manual/Toolbox		1
23	2490825	Top Link Pin		1
24	522.191.500	Topstang 1 1/18 UNC CAT 1		1
25	523.051.000	R-Clip Round 5, DIN 11024		1
26	468.083.060	Toolset		1



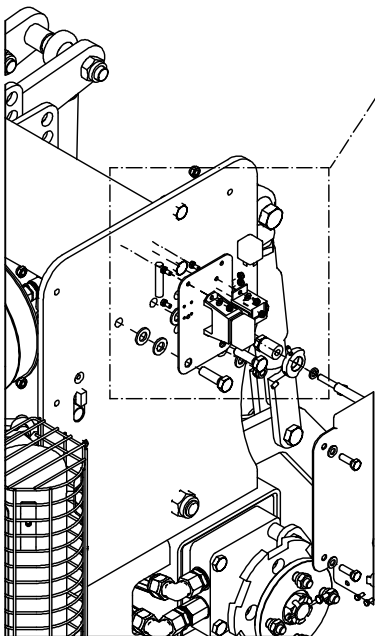
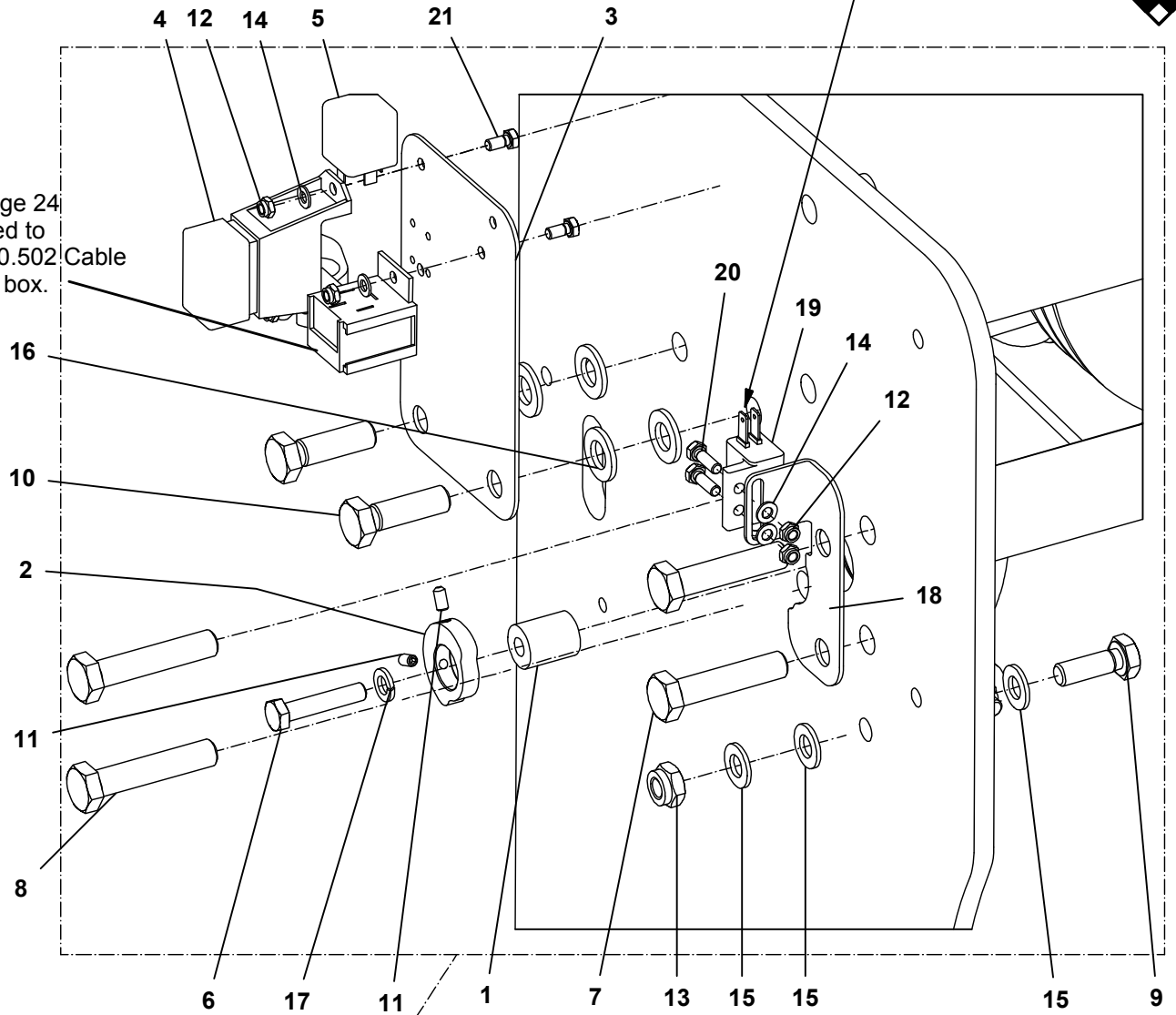


	PART #	DESCRIPTION	REMARKS	QUA
1	446.042.002	Rubber Strip 155 x 4, L= 200		1
2	446.061.100	Rubber U-seal Battery Box		1
3	464.082.500	Battery Lock Strip		1
4	468.022.800	Bottom Plate Battery		1
5	468.022.890	Cover Battery		1
6	468.023.640	Top Cover Battery		1
7	523.030.750	R Clip D=3		1
8	562.175.205	Battery 12V 45A		1
9	568.160.500	Battery Clamp -		1
10	568.180.500	Battery Clamp +		1
11	590.150.900	Latch Southco 97-50-120-11		1
12	804.040.100	Bolt DIN 933 - M4 x 10		2
13	804.060.120	Bolt DIN 933 - M6 x 12		6
14	804.060.140	Bolt DIN 933 - M6 x 14		4
15	804.080.250	Bolt DIN 933 - M8 x 25		5
16	826.060.060	Nut DIN 934 - M6		2
17	830.040.040	SL Nut DIN 985 - M4		2
18	830.060.060	SL Nut DIN 985 - M6		12
19	844.060.060	Wing nut DIN 315 - M6		2
20	852.062.250	Threaded Rod M6, L= 225		2
21	866.080.021	Spring washer DIN 127 - A 8		2
22	892.060.300	Ball Knob Din 319 M8x32		1
23	899.430.760	Hinge		1
24	406.090.100	Distance Bush Ø20/Ø9, L= 10		4
25	446.052.700	Rubber Strip 180 x 5, L= 270		1
26	464.080.400	Cam Plate Switch		1
27	468.020.850	Switch Bracket		1
28	468.021.550	Fuse / Relay Bracket		1
29	470.033.900	Weld Assy Fuel Tank Bracket		1
30	564.200.220	Switch		1
31	565.070.450	Fuse Holder		2
32	568.260.260	Relay		1
33	593.251.100	Strap Fuel Tank		2
34	679.082.800	Pick-Up Tube		1
35	679.140.160	Rubber Bushing		1
36	679.251.090	Fuel Cap 3-1/2"		1
37	679.381.311	Fuel Tank, 6 Gallon		1
38	802.080.400	Bolt DIN 931-1 - M8 x 40		1
39	802.120.600	Bolt DIN 931-1 - M12 x 60		2
40	804.050.160	Bolt DIN 933 - M5 x 16		1
41	804.100.300	Bolt DIN 933 - M10 x 30		1
42	804.120.400	Bolt DIN 933 - M12 x 40		2
43	818.050.100	Hex. Socket Set Screw DIN 916 - M5 x 10		2
44	820.080.350	MH Bolt DIN 603 - M8 x 35		4
45	824.030.080	Slotted Cheese Head Screw		4
46	824.030.160	Slotted Cheese Head Screw		2
47	826.030.030	Nut DIN 934 - M3		6
48	826.050.050	Nut DIN 934 - M5		1
49	830.050.050	SL Nut DIN 985 - M5		1
50	830.080.080	SL Nut DIN 985 - M8		6
51	830.100.100	SL Nut DIN 985 - M10		1
52	864.030.030	Washer DIN 125 - M3		2
53	864.050.030	Washer DIN 125 - M5		1
54	864.080.030	Washer DIN 125 - M8		6
55	864.100.030	Washer DIN 125 - M10		3
56	864.120.030	Washer DIN 125 - M12		6

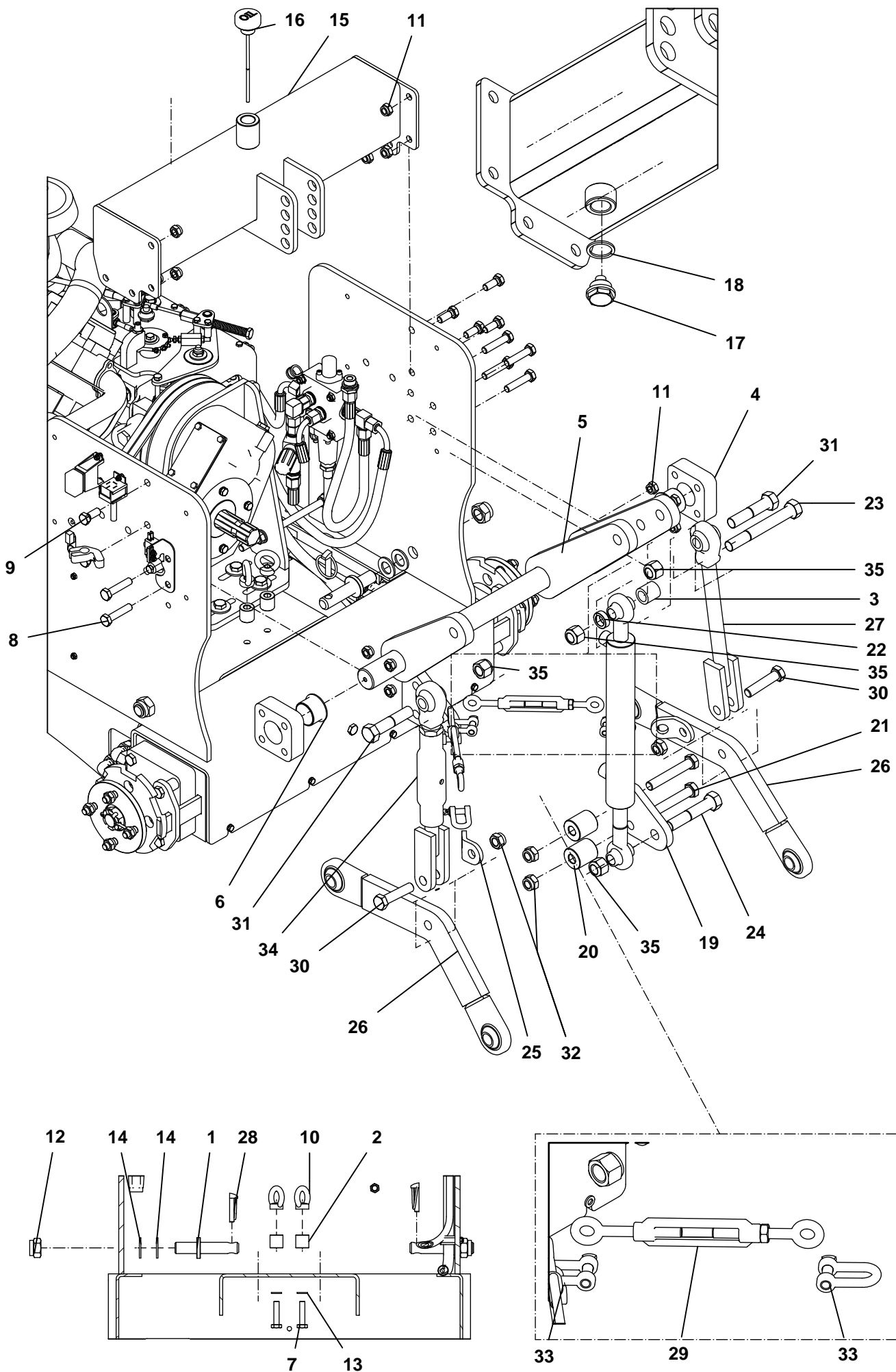


Check switch, if different check page 04

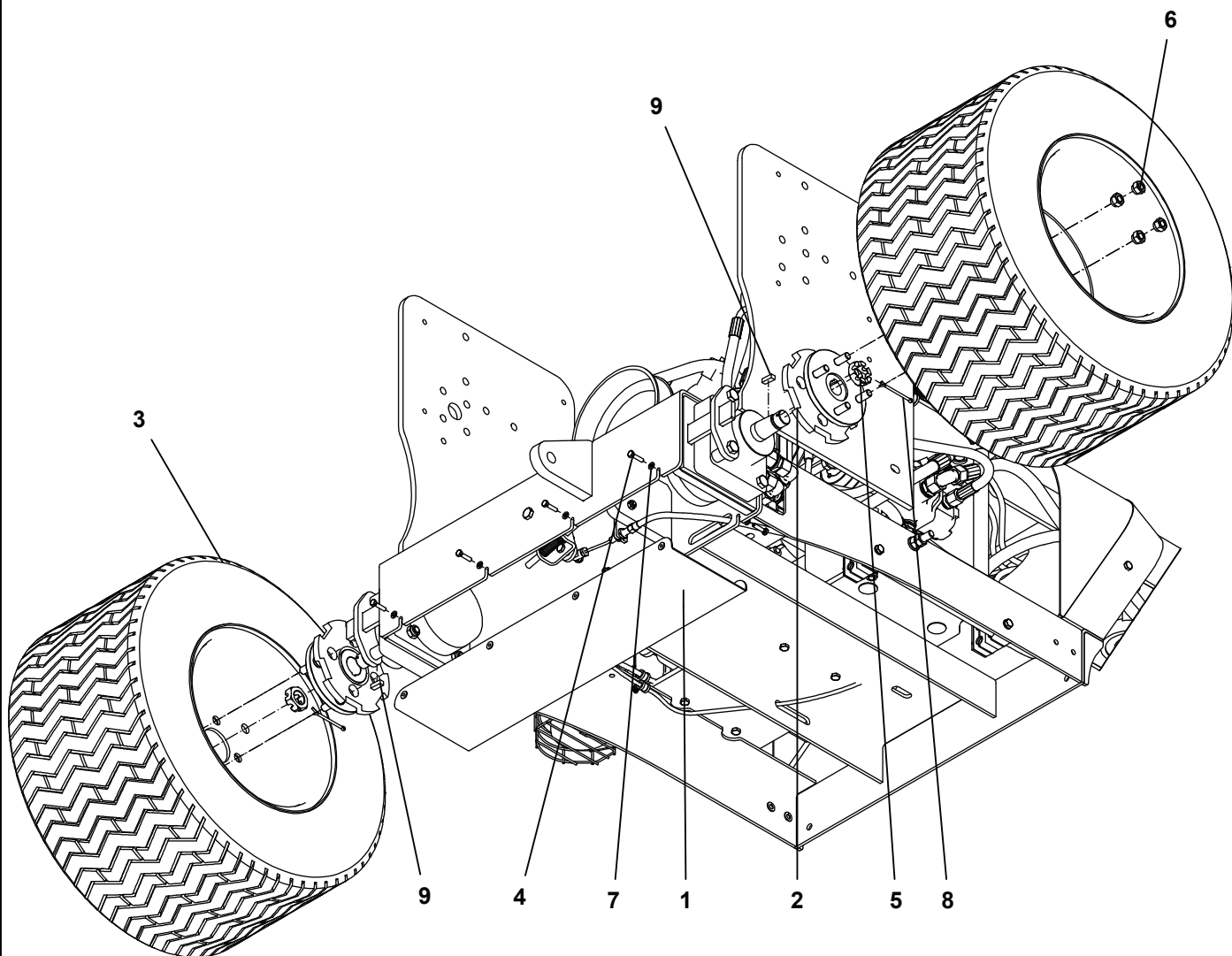
See page 24  
Attached to  
563.100.502 Cable  
battery box.



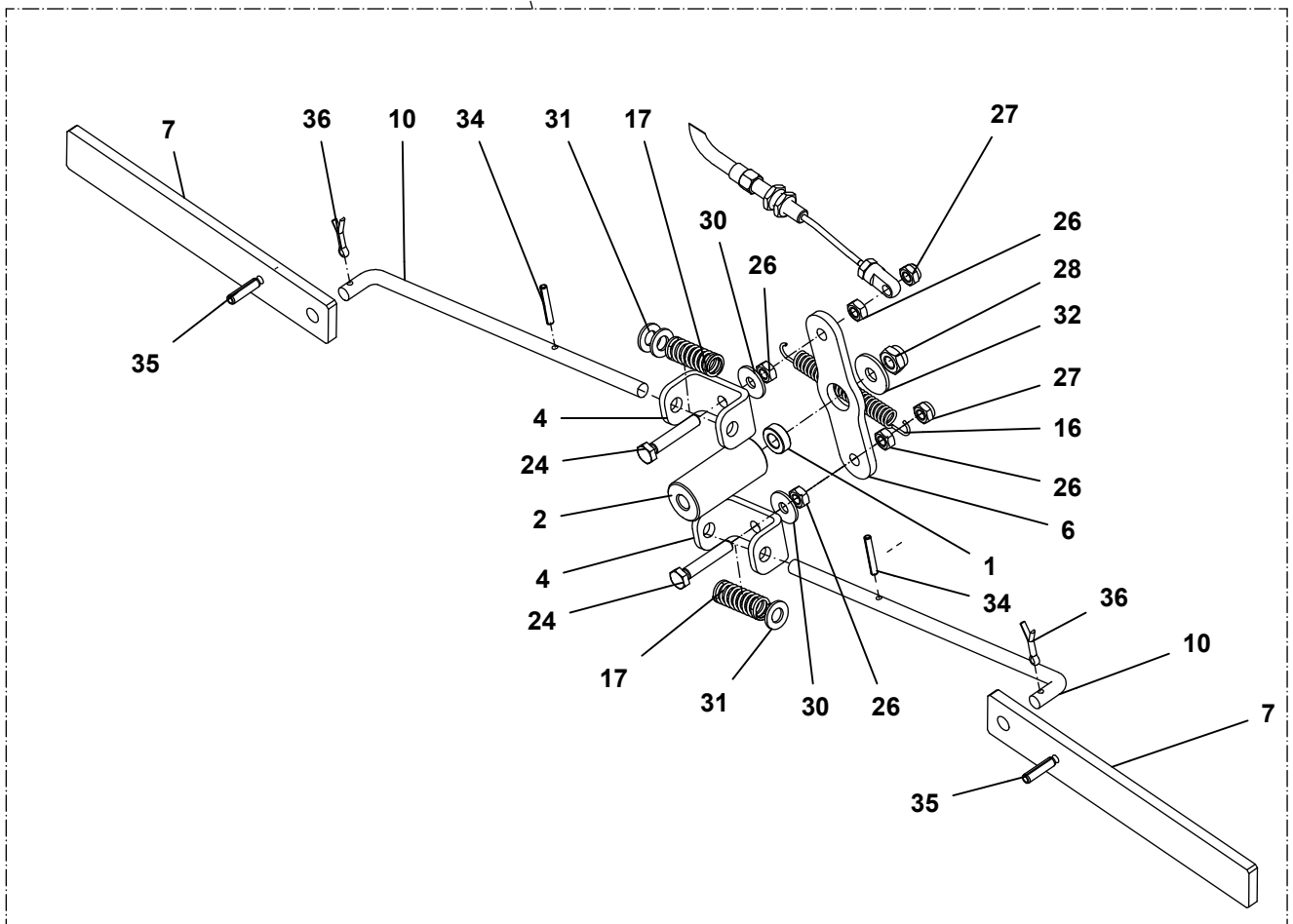
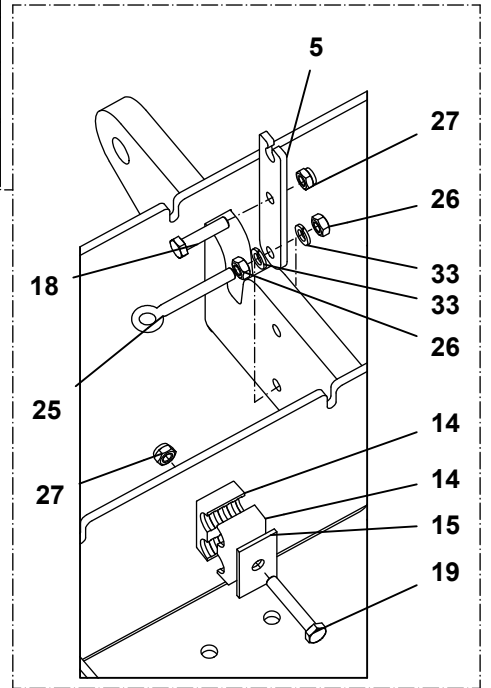
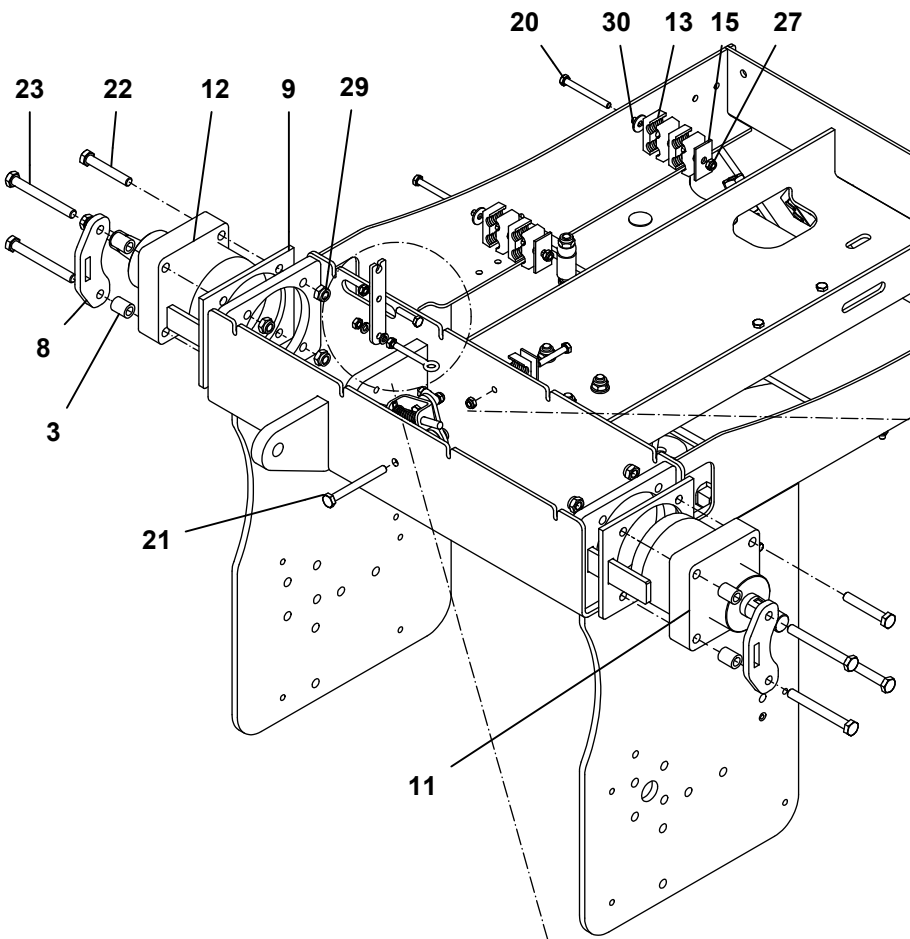
	PART #	DESCRIPTION	REMARKS	QUA
1	406.090.252	Distance Bush Ø20 / Ø8.5, L= 25		1
2	464.080.400	Cam Plate Switch		1
3	468.021.550	Fuse / Relay Bracket		1
4	565.070.450	Fuse box		1
5	568.260.260	Relay		1
6	802.080.400	Bolt DIN 931-1 - M8 x 40		1
7	802.120.550	Bolt DIN 931-1 - M12 x 55		2
8	802.120.600	Bolt DIN 931-1 - M12 x 60		2
9	804.100.300	Bolt DIN 933 - M10 x 30		1
10	804.120.400	Bolt DIN 933 - M12 x 40		2
11	818.050.100	Hex. Socket Set Screw DIN 916 - M5 x 10		2
12	830.050.050	SL Nut DIN 985 - M5		5
13	830.100.100	SL Nut DIN 985 - M10		1
14	864.050.030	Washer DIN 125 - M5		5
15	864.100.030	Washer DIN 125 - M10		3
16	864.120.030	Washer DIN 125 - M12		4
17	866.080.021	Spring washer DIN 127 - A 8		1
18	468.021.052	Switch bracket battery box		1
19	564.280.600	Switch		1
20	804.050.160	Bolt DIN 933 - M5 x 16		2
21	804.050.100	Bolt DIN 933 - M5 x 10		3



	PART #	DESCRIPTION	REMARKS	QUA
1	2490881	Bottom 3-Point Pin		2
2	406.110.250	Distance Bush Ø25 / Ø11, L= 25		2
3	406.200.300	Distance Bush Ø30/Ø20, L= 30		1
4	464.300.900	Pivot Block 3-Point		2
5	474.406.380	Weld Assy Lift Arm	If single lift strip attached to top of cylinder then also order 1x406.170.200 & 1x 808.191.530	1
6	732.400.300	Slide Bearing Bush Ø40, L= 30		2
7	802.100.450	Bolt DIN 931-1 - M10 x 45		2
8	802.120.550	Bolt DIN 931-1 - M12 x 55		6
9	804.120.300	Bolt DIN 933 - M12 x 30		6
10	822.100.360	Eye Nut DIN 582 - M10		2
11	830.120.120	SL Nut DIN 985 - M12		16
12	830.220.220	SL Nut DIN 985 - M22		2
13	864.100.030	Washer DIN 125 - M10		2
14	864.220.030	Washer DIN 125 - M22		4
15	462.120.640	Weld Assy Oil Tank		1
16	536.992.700 CAP	Cap Oil Tank		1
17	549.210.250	Magnetic Plug G1/2		1
18	874.210.020	Copper washer 1/2"		1
19	468.151.102	Cylinder plate		1
20	406.170.450	Distance bush Ø16.5/Ø40 L=44.5		2
21	802.161.000	Bolt DIN 931-1 - M16 x 100		2
22	406.200.100	Distance bush Ø30/Ø20 h=10		1
23	808.191.530	Hex. Bolt 3/4" x 6" UNF	Check length	1
	808.191.270	Hex. Bolt 3/4"x 5" UNF	Check length	1
24	808.191.000	Hex Bolt 3/4" x 4" UNF	Check length	1
	808.190.950	Hex Bolt 3/4" x 3.75" UNF	Check length	1
25	464.080.840	Side Support Bracket		2
26	470.204.490	Weld Assy Bottom Lift Arm		2
27	474.254.050	Lift Arm w Eye Ø19		1
28	523.100.570	Linch pin d10		2
29	524.101.250	Turnbuckle M10		2
30	802.160.700	Bolt DIN 931-1 - M16 x 70		2
31	808.190.890	Hex Bolt - UNC (Regular Thread - Inch)		2
32	830.160.160	SL Nut DIN 985 - M16		4
33	846.100.471	Dee (chain) shackle d10		4
34	490.503.750	Assy Adjustable Lift Arm		1
35	840.190.230	SL Nut DIN 985 - 3/4-16 UNF		4

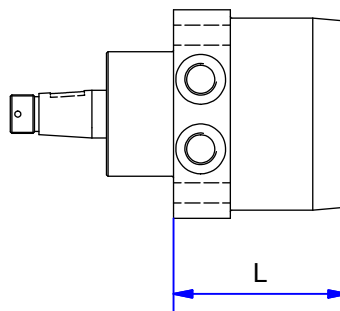


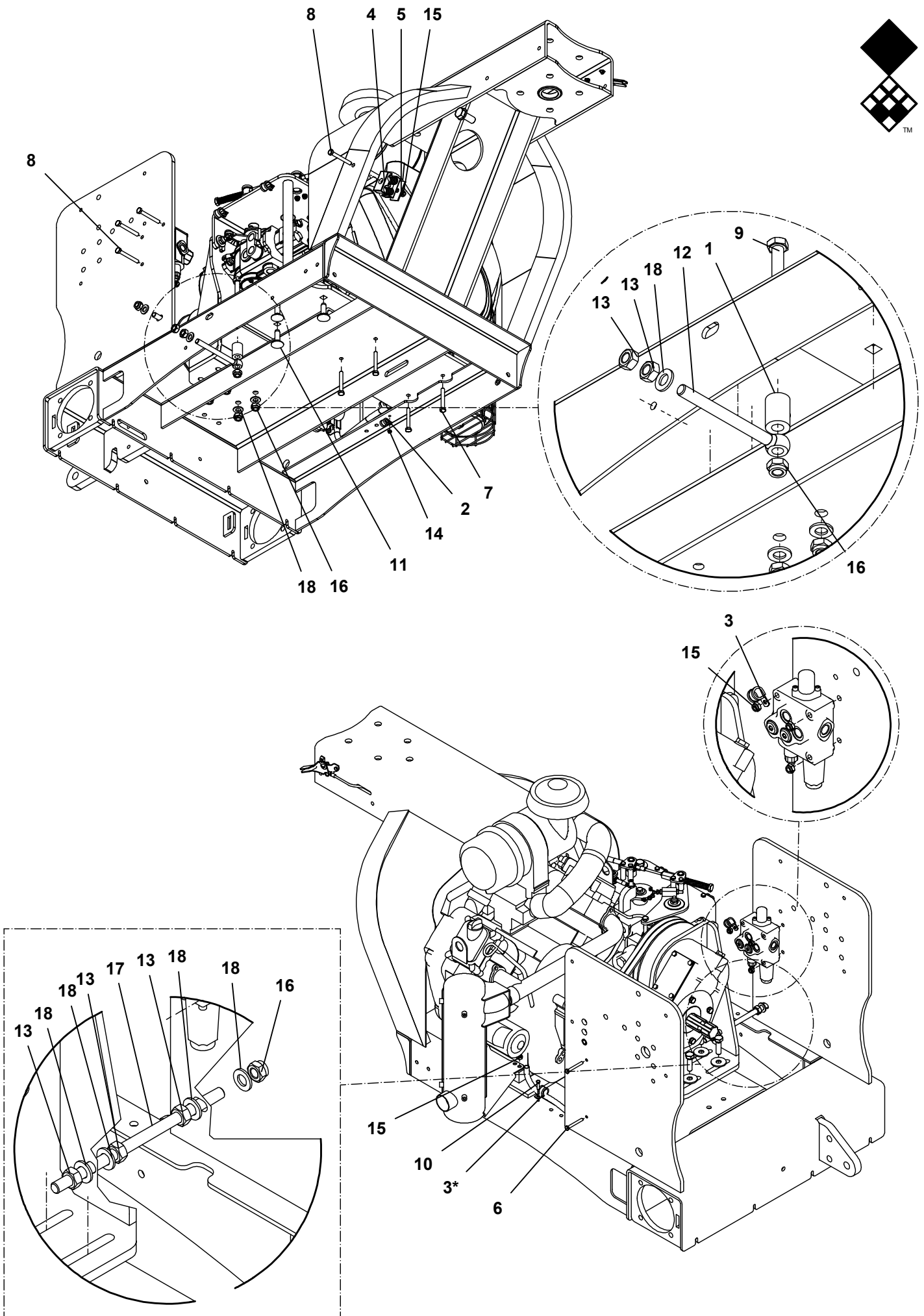
	PART #	DESCRIPTION	REMARKS	QUA
1	470.027.870	Rear Bottom Cover		1
2	488.165.071	Welding Assy Wheel Hub		2
3	511.600.325	Wheel 24x13.00-12		2
4	804.060.250	Bolt DIN 933 - M6 x 25		8
5	838.240.140	Castle head nut ANSI UNEF 1-20		2
6	844.120.120	Wheelnut - M12		8
7	864.060.030	Washer DIN 125 - M6		8
8	882.040.630	Split Pin ISO 1234 - 4 x 63		2
9	884.080.220	Parallel Key		2



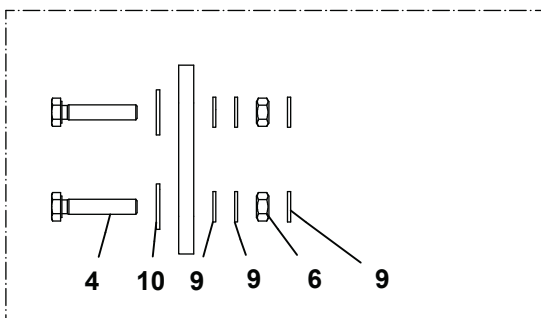
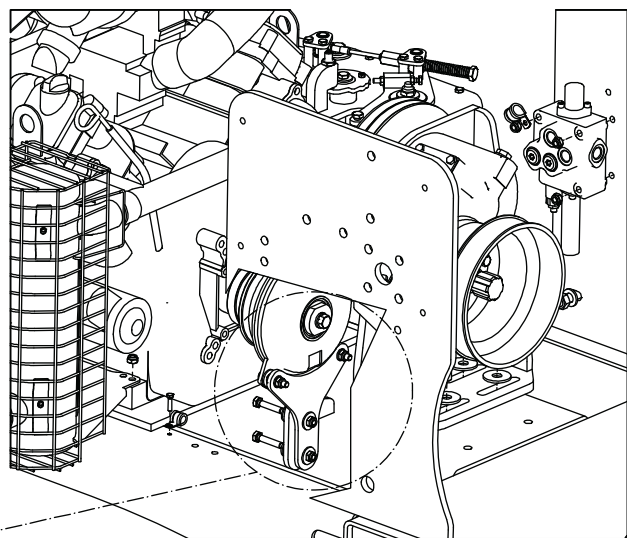
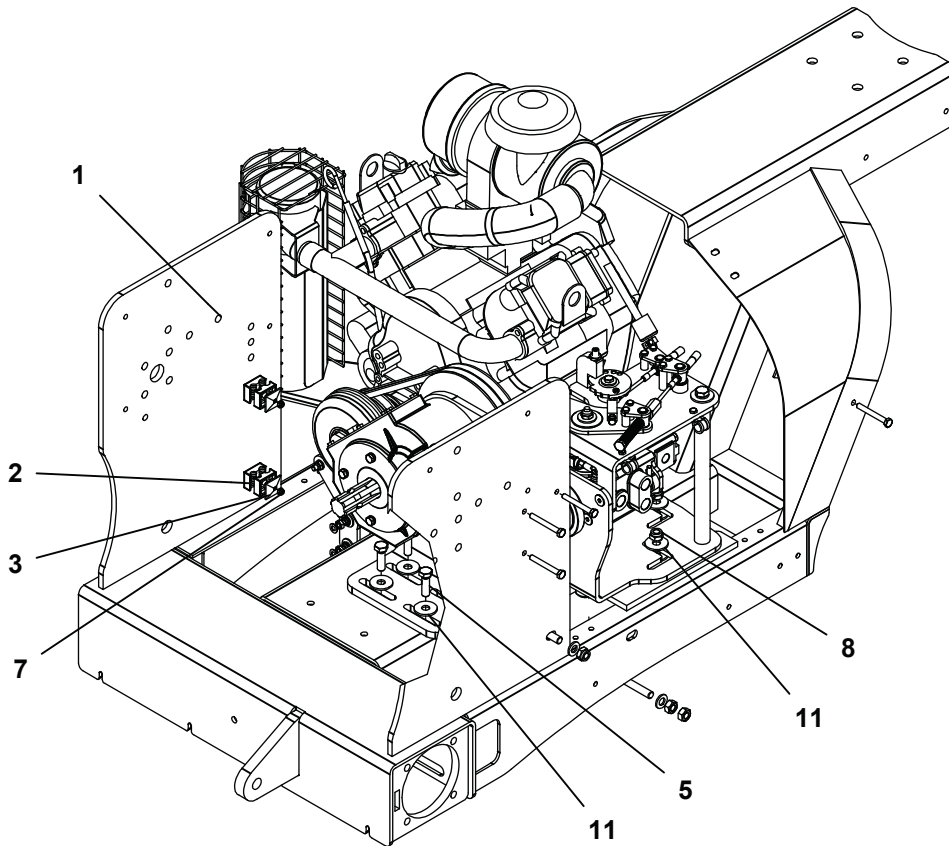


	PART #	DESCRIPTION	REMARKS	QUA
1	406.110.070	Distance Bush Ø20 / Ø10.5, L= 7		1
2	406.110.670	Distance Bush Ø30 / Ø10.5, L= 67		1
3	406.130.250	Distance Bush Ø20/Ø12.5, L= 25		4
4	464.050.602	Parking Brake Bracket		2
5	464.051.300	Cable Bracket		1
6	464.061.300	Pivot Strip Parking Brake		1
7	464.082.250	Parking Brake Strip		2
8	464.101.402	Parking Brake Support Strip		2
9	468.081.700	Mounting Plate Wheel Motor		2
10	472.102.950	Retraction Rod Parking Brake		2
11	532.322.230	Hydraulic motor 375cc Left	Check length L=115mm (4.53")	1
	532.322.130L	Hydraulic motor 230cc Left	Check length L=105mm (4.13")	1
12	532.322.232	Hydraulic motor 375cc Right	Check length L=115mm (4.53")	1
	532.322.130R	Hydraulic motor 230cc Right	Check length L=105mm (4.13")	1
13	547.150.150	Hose Clamp 2x Ø15		8
14	547.180.180	Hose Clamp 2x Ø18		2
15	547.300.510	Deck Plate		3
16	575.029.000	Spring for idler		1
17	576.160.600	Compression Spring Ø16		2
18	802.080.350	Bolt DIN 931-1 - M8 x 35		1
19	802.080.500	Bolt DIN 931-1 - M8 x 50		1
20	802.080.800	Bolt DIN 931-1 - M8 x 80		2
21	802.101.000	Bolt DIN 931-1 - M10 x 100		1
22	802.120.750	Bolt DIN 931-1 - M12 x 75		4
23	802.121.100	Bolt DIN 931-1 - M12 x 110		4
24	804.080.450	Bolt DIN 933 - M8 x 45		2
25	822.080.700	Eye Bolt DIN444 LB - M8 x 70		1
26	826.080.080	Nut DIN 934 - M8		6
27	830.080.080	SL Nut DIN 985 - M8		6
28	830.100.100	SL Nut DIN 985 - M10		1
29	830.120.120	SL Nut DIN 985 - M12		8
30	864.080.031	Large Washer DIN 9021 - 8,4		4
31	864.100.030	Washer DIN 125 - M10		3
32	864.100.031	Large Washer DIN 9021 - 10,5		1
33	866.080.021	Spring washer DIN 127 - A 8		2
34	878.040.300	Roll Pin ISO 8752 - 4 x 30 .		2
35	878.060.250	Roll Pin ISO 8752 - 6 x 26 .		2
36	882.040.200	Split Pin		2

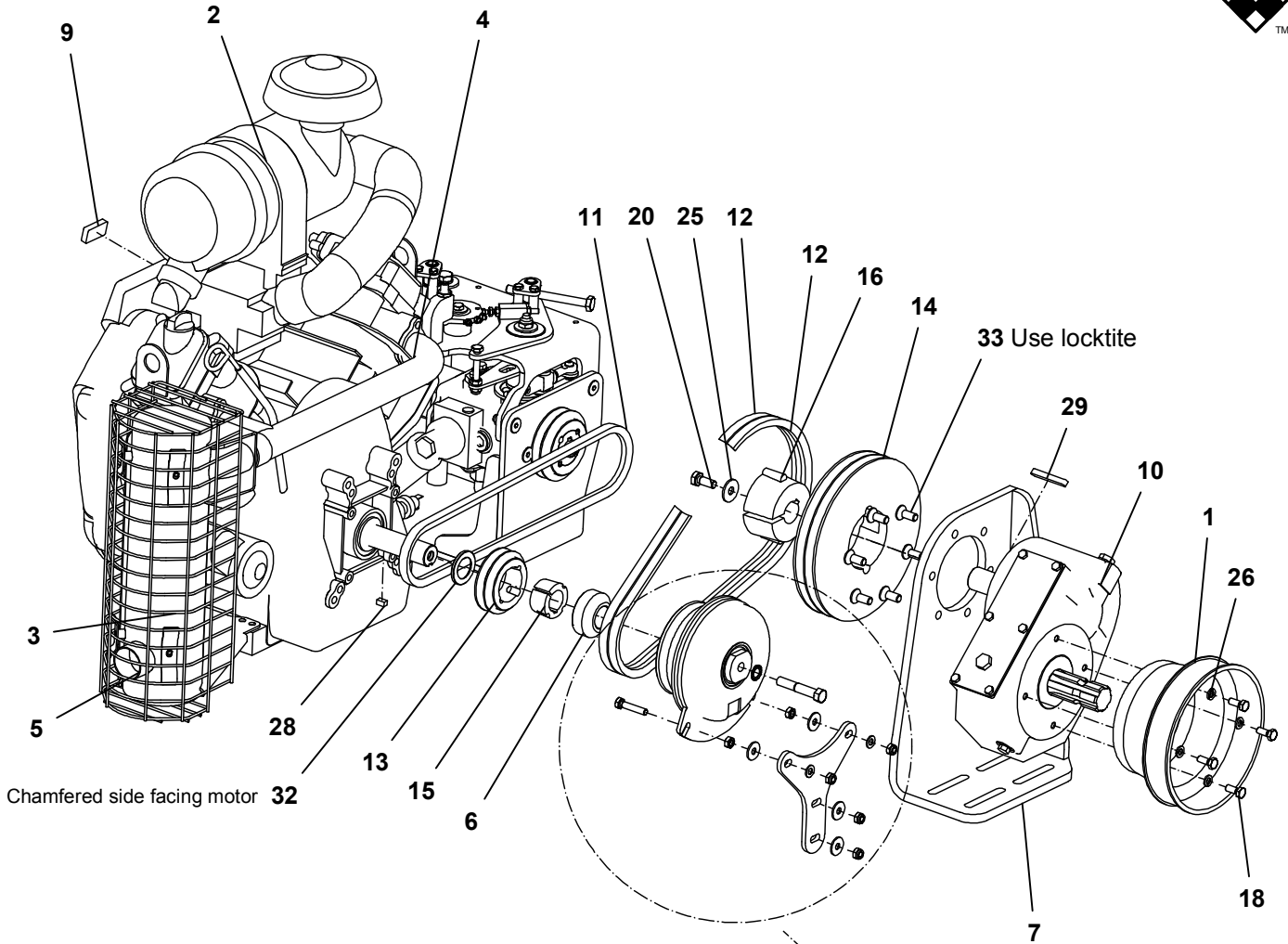




	PART #	DESCRIPTION	REMARKS	QUA
1	406.130.352	Bush Bearing Plate Backroller	From SN: C310212	1
2	547.100.180	Hose Clamp Ø10		1
3	547.130.300	Hose Clamp D15	Check diameter	2
	547.100.180	Hose Clamp Ø10	Check diameter	1
4	547.180.180	Hose Clamp 2x Ø18		2
5	547.300.510	Deck Plate		1
6	802.060.500	Bolt DIN 931-1 - M6 x 50		2
7	802.080.600	Bolt DIN 931-1 - M8 x 60		4
8	802.080.650	Bolt DIN 931-1 - M8 x 65		4
9	802.120.700	Bolt DIN 931-1 - M12 x 70	From SN: C310212	1
10	804.050.200	Bolt DIN 933 - M5 x 20		1
11	820.120.400	MH Bolt DIN 603 - M12 x 40		3
12	822.121.400	Eye Bolt M12x140 Din 444LB (full thread)	From SN: C310212	1
13	826.120.120	Nut DIN 934 - M12		5
14	830.050.050	SL Nut DIN 985 - M5		1
15	830.080.080	SL Nut DIN 985 - M8		8
16	830.120.120	SL Nut DIN 985 - M12		4
17	852.122.400	Threaded Rod M12, L= 240		1
18	864.120.030	Washer DIN 125 - M12		7

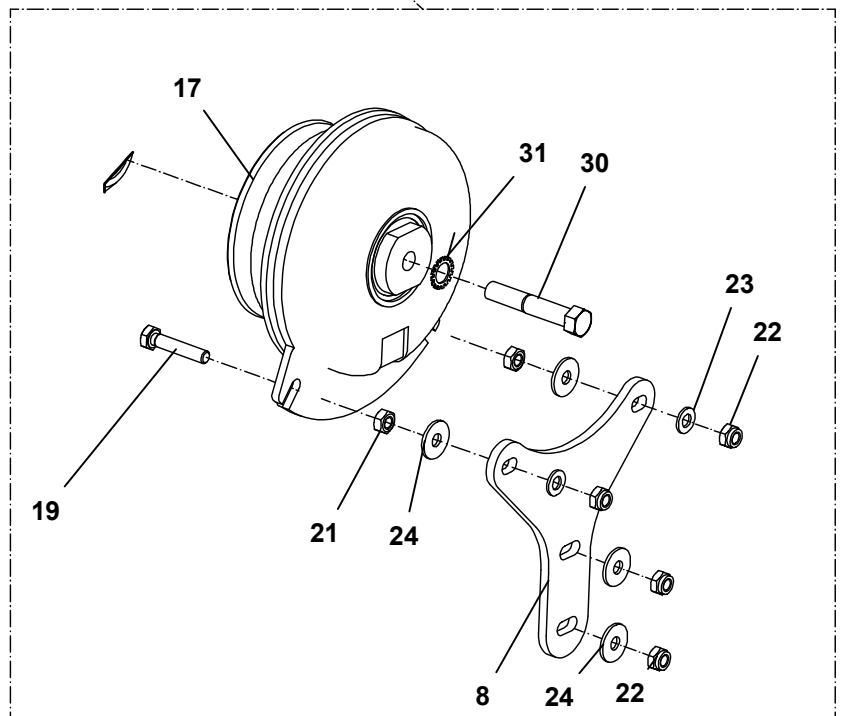
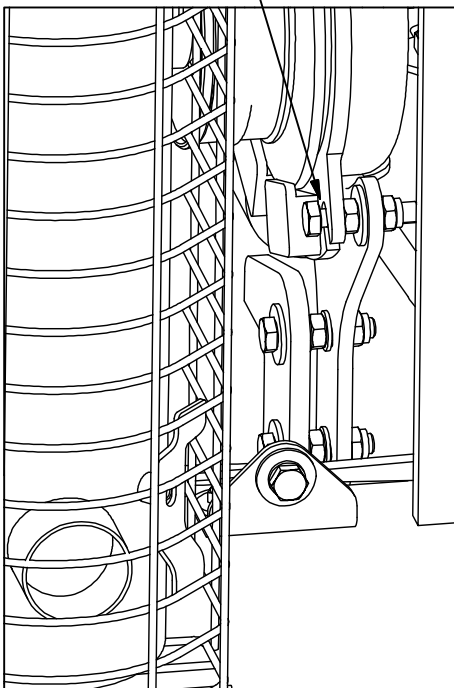


	PART #	DESCRIPTION	REMARKS	QUA
1	494.150.082	Weld Assy Main Frame		1
2	547.120.120	Hose Clamp 2x Ø12		4
3	547.300.340	Deck plate		2
4	804.080.400	Bolt DIN 933 - M8 x 40		2
5	804.120.400	Bolt DIN 933 - M12 x 40		4
6	826.080.080	Nut DIN 934 - M8		2
7	830.060.060	SL Nut DIN 985 - M6		2
8	830.120.120	SL Nut DIN 985 - M12		3
9	864.080.030	Washer DIN 125 - M8		6
10	864.080.031	Large Washer DIN 9021 - 8,4		2
11	864.120.031	Large Washer DIN 9021 - 13		10

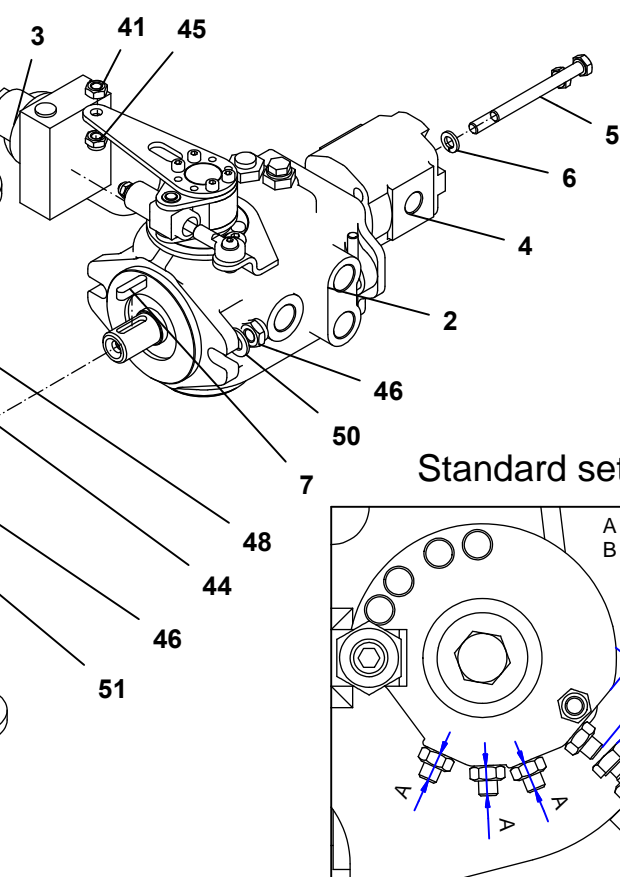
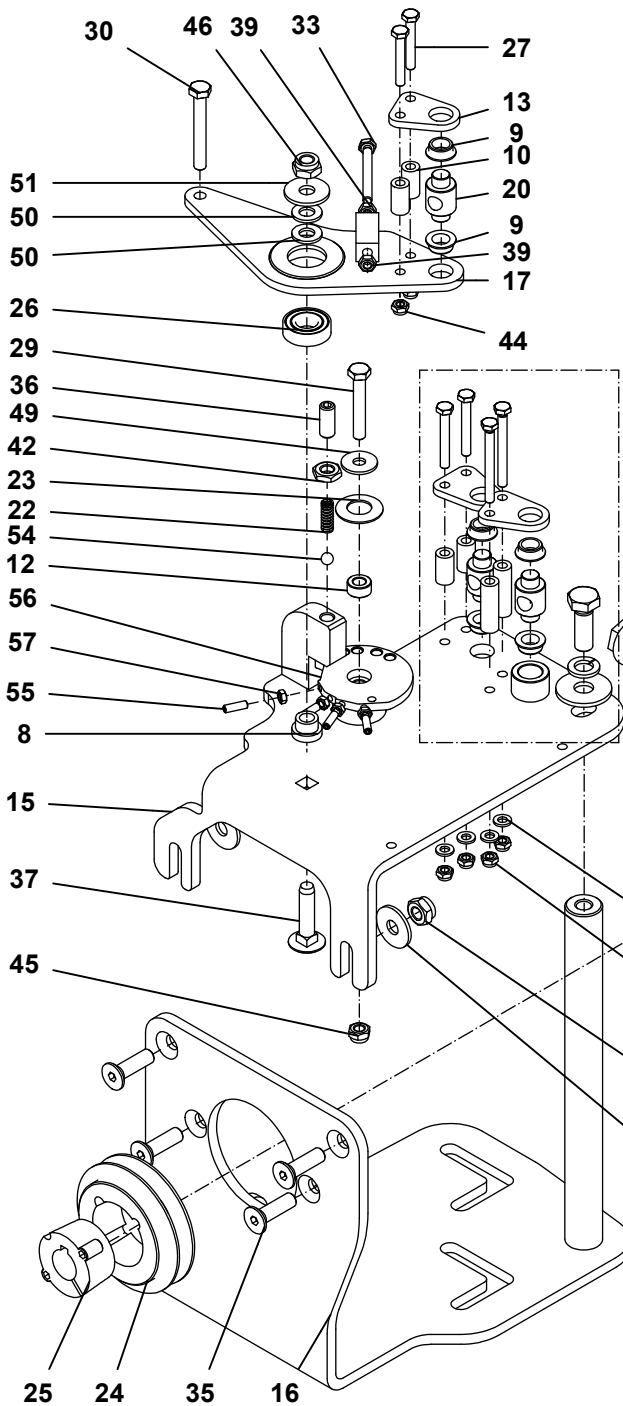
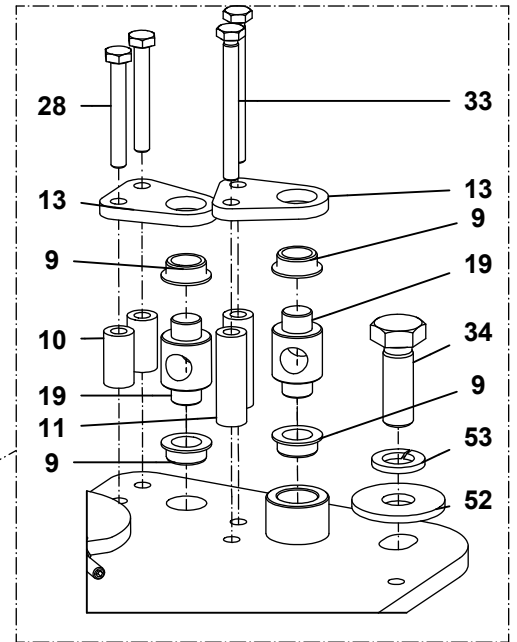
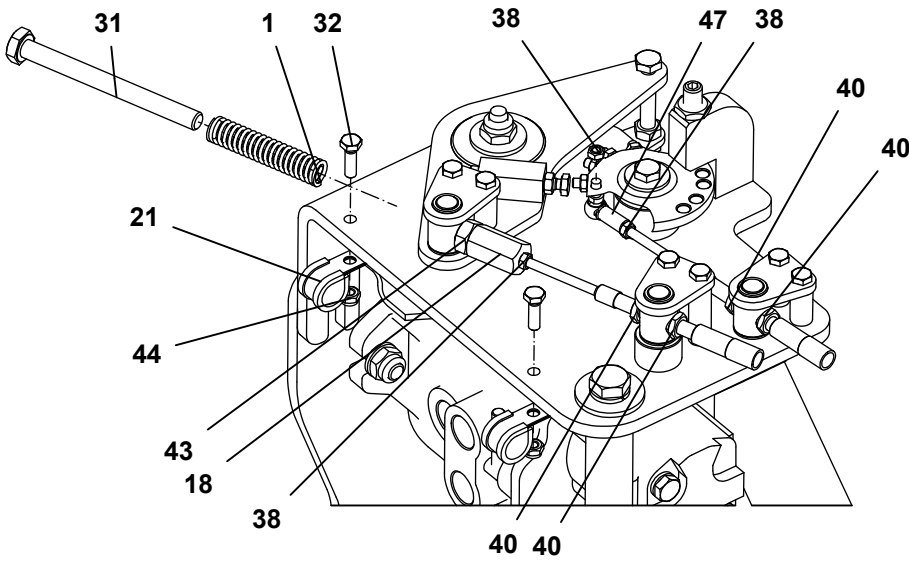


**!!IMPORTANT!**

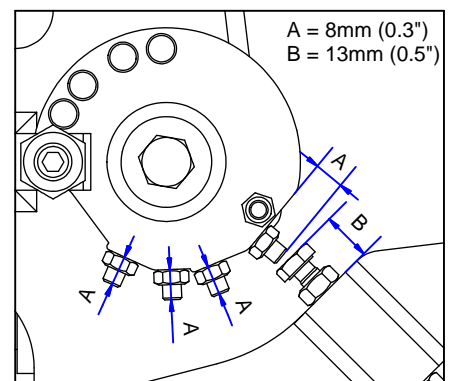
Base plate clutch must be free to move!



	PART #	DESCRIPTION	REMARKS	QUA
1	110282	Protection Cover PTO		1
2	672.370.485	B&S Vanguard V-Twin OHV25 - 31HP		1
3	676.145.409	Guard, Wire Muffler		1
4	676.384.300	Manifold, Exhaust Starter Motor Side		1
5	676.413.800	Muffler Starter Motor Side		1
6	406.290.200	Distance Bush Ø60 / Ø29, L= 27		1
7	466.123.600	Weld Assy Bracket Gearbox		1
8	468.061.610	Clutch Moment Bracket		1
9	568.400.550	Hours gauge		1
10	623.268.290	M5 Gearbox 3.5:1		1
11	642.131.007	V-Belt XPA 1007	Check on machine	1
	642.131.120	V-Belt XPA 1120	Check on machine	1
12	642.131.030	V-Belt XPA 1030		2
13	646.010.801	SPA 80-1 TL1210		1
14	646.012.122	Pulley SPA 212-2 T2517		1
15	648.291.210	Taperlock 1210 - 1 1-8in		1
16	648.302.517	Taperlock 2517 - 30mm		1
17	666.280.901	Electric Clutch Carrier		1
18	804.080.200	Bolt DIN 933 - M8 x 20		4
19	804.080.400	Bolt DIN 933 - M8 x 40		2
20	804.100.250	Bolt DIN 933 - M10 x 25		1
21	826.080.080	Nut DIN 934 - M8		2
22	830.080.080	SL Nut DIN 985 - M8		4
23	864.080.030	Washer DIN 125 - M8		2
24	864.080.031	Large Washer DIN 9021 - 8,4		4
25	864.100.031	Large Washer DIN 9021 - 10,5		1
26	866.080.021	Spring washer DIN 127 - A 8		4
28	884.080.130	Key Special		1
29	884.080.560	Key DIN 6885 - A 8 x 7 x 56		1
30	808.110.630	Hex. Bolt ANSI/ASME B18.2.1 - 7/16-20 UNF - 2.5		1
31	866.120.020	Serrated Lock Washer		1
32	406.290.040	Spacer Ø45/Ø29 L=4		1
33	816.100.250	CSK Screw DIN 7991 - M10 x 25	From serial nr. C698214	6
	804.100.250	Bolt DIN 933 - M10x25	Till serial nr. C698214	6
	866.100.020	Spring washer DIN 127-A10	Till serial nr. C698214	6



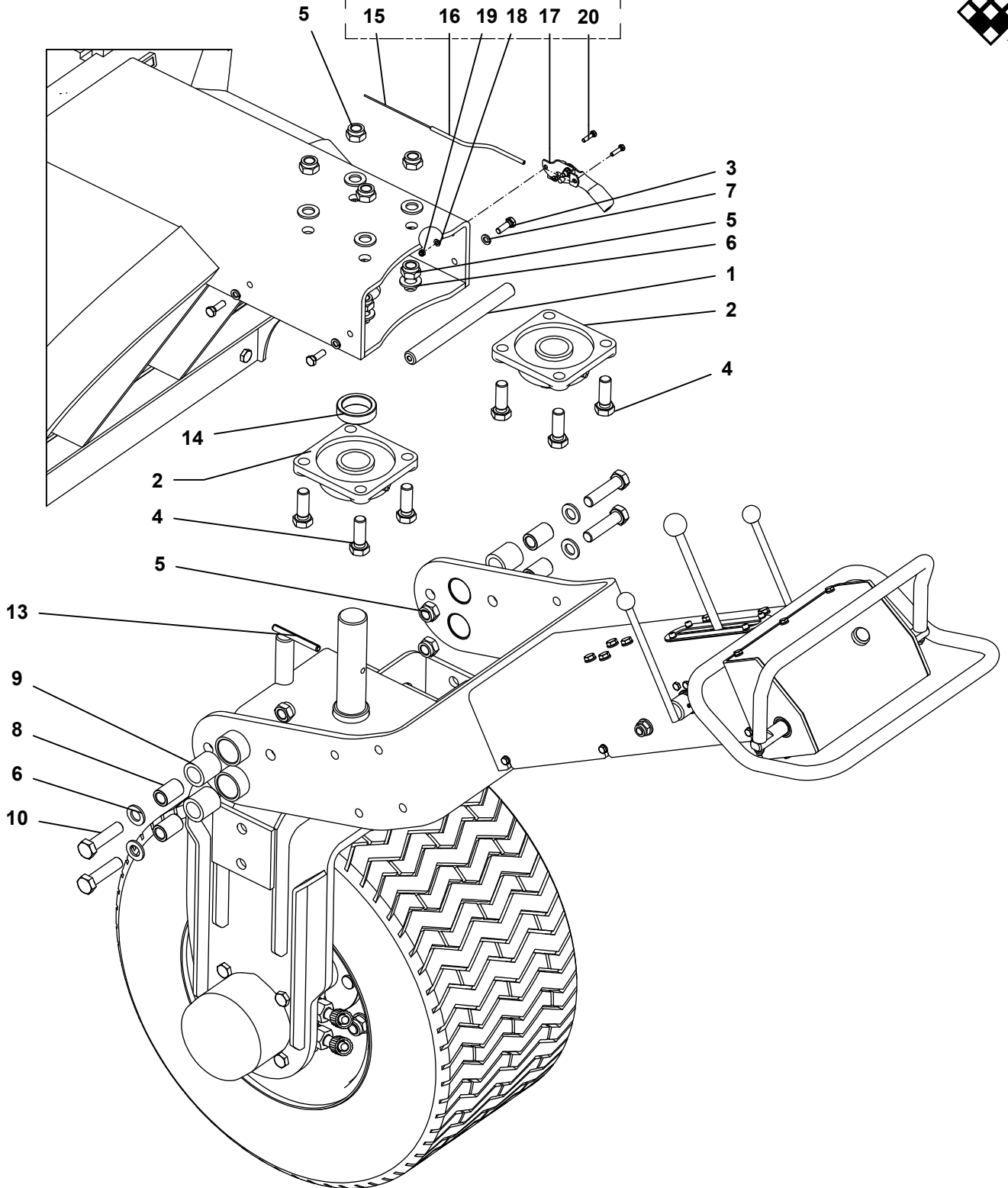
Standard setting



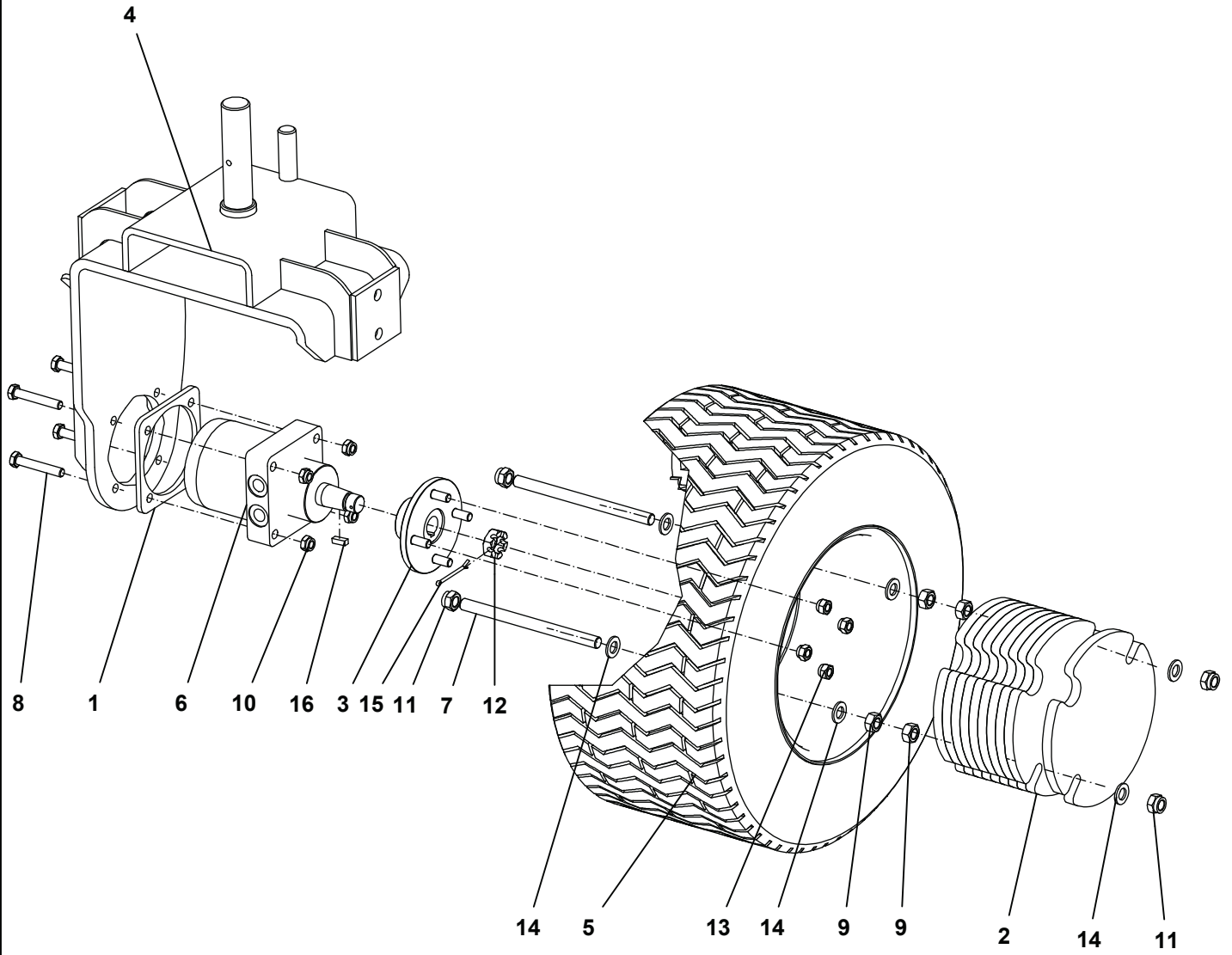


	PART #	DESCRIPTION	REMARKS	QUA
1	110134	Compression Spring Ø15		1
2	531.221.900	Hydraulic Pump SM PO13		1
3	531.481.800	Filter housing for pump SM PO13		1
	531.481.802	Filter for SM P013		1
4	531.680.720	Gearpump 2.53cc		1
5	802.080.800	Bolt DIN 931-1 - M8 x 80		2
6	866.080.021	Spring washer DIN 127 - A 8		2
7	884.060.252	Key 1/4"		1
8	404.100.130	Main Pivot Bush Pump Plate		1
9	404.120.070	Bearing Bush Spindle		6
10	406.070.220	Distance Bush Ø12/Ø6.5, L= 22		4
11	406.070.380	Distance Bush Ø12/Ø6.5, L= 38		2
12	406.080.082	Distance bush Ø8.5/Ø16 h=8	From serial number: C310212	1
	404.120.070	Bearing bush spindle	Till serial number: C310212	1
13	464.050.450	Pivot Lock Strip		3
15	466.082.570	Weld Assy Pivot Pump Plate		1
16	466.082.800	Weld Assy Pump Plate		1
17	470.061.990	Weld Assy Pump Swing Arm		1
18	472.170.300	Connector		1
19	472.200.350	Pivot Bush Ø20		2
20	472.200.352	Pivot Bush Ø20		1
21	547.130.300	Hose Clamp		2
22	576.080.300	Compression Spring Ø8		1
23	578.010.310	Disc spring Ø16.3/Ø31.5 h=2.15 DIN2093	From serial number: C310212	1
24	646.010.904	SPA 90-1 TL1210	Diameter Ø97mm (Ø3.8")	1
	646.011.601	SPA 160-1 TL1620	Diameter Ø160mm (Ø6.3")	1
25	648.221.210	Taperlock 1210 - 5/8 inch	Belongs to SPA 90-1	1
	648.221.610	Taperlock 1620 - 5/8 inch	Belongs to SPA 160-1	1
26	713.150.090	Bearing 6002-RS		1
27	802.060.400	Bolt DIN 931-1 - M6 x 40		2
28	802.060.450	Bolt DIN 931-1 - M6 x 45		2
29	802.080.500	Bolt DIN 931-1 - M8 x 50		1
30	802.080.600	Bolt DIN 931-1 - M8 x 60		1
31	802.101.100	Bolt DIN 931-1 - M10 x 110		1
32	804.060.200	Bolt DIN 933 - M6 x 20		2
33	804.060.600	Bolt DIN 933 - M6 x 60		3
34	804.120.350	Bolt DIN 933 - M12 x 35		1
35	816.100.350	CSK Screw DIN 7991 - M10 x 35		4
36	818.100.250	Hex. Socket Set Screw DIN 916 - M10 x 25		1
37	820.100.450	MH Bolt DIN 603 - M10 x 45		1
38	826.050.050	Nut DIN 934 - M5		3
39	826.060.060	Nut DIN 934 - M6		2
40	826.080.032	Low Nut Din 439-2_M8		4
41	826.080.080	Nut DIN 934 - M8		1
42	826.100.050	Low Nut Din 439-2_M10		1
43	826.100.100	Nut DIN 934 - M10		1
44	830.060.060	SL Nut DIN 985 - M6		8
45	830.080.080	SL Nut DIN 985 - M8		2
46	830.100.100	SL Nut DIN 985 - M10		5
47	850.050.220	Ball Joint M5		1
48	864.060.030	Washer DIN 125 - M6		4
49	864.080.031	Large Washer DIN 9021 - 8,4		1
50	864.100.030	Washer DIN 125 - M10		4
51	864.100.031	Large Washer DIN 9021 - 10,5		3
52	864.120.031	Large Washer DIN 9021 - 13		1
53	866.120.021	Spring washer DIN 127 - A 12		1
54	899.080.080	Ball Ø8mm		1
55	818.051.600	Set screw DIN 913 - M5 x 16		4
56	464.060.750	Pump Adjustment Disc		1
57	826.050.050	Nut DIN 934 - M5		4

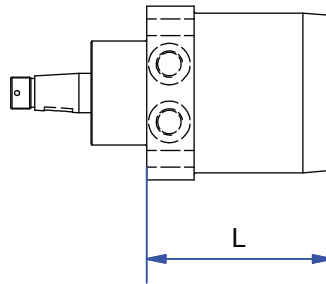
Check on machine, if not placed on this position check page 14



	PART #	DESCRIPTION	REMARKS	QUA
1	444.202.200	Guide Shaft		2
2	741.400.510	Flanged Bearing UCF 208		2
3	804.080.250	Bolt DIN 933 - M8 x 25		4
4	804.160.450	Bolt DIN 933 - M16 x 45		12
5	830.160.160	SL Nut DIN 985 - M16		12
6	864.160.030	Washer DIN 125 - M16		8
7	866.080.021	Spring washer DIN 127 - A 8		20
8	406.160.370	Distance Bush Ø25/Ø16, L= 36.5		4
9	446.250.380	Absorber Bush		4
10	802.160.650	Bolt DIN 931-1 - M16 x 65		4
13	878.080.800	Roll Pin ISO 8752 - 8 x 80 .		1
14	406.410.150	Distance bush Ø55/Ø40.5 L=15	Check on machine	1
15	591.021.400	Throttle cable inside L=1400		1
16	591.051.300	Throttle cable outside L=1300		1
17	676.301.002	Throttle Lever		1
18	864.050.030	Washer DIN 125 - M5		2
19	830.050.050	SL Nut DIN 985 - M5		2
20	804.050.200	Bolt DIN 933 - M5 x 20		2

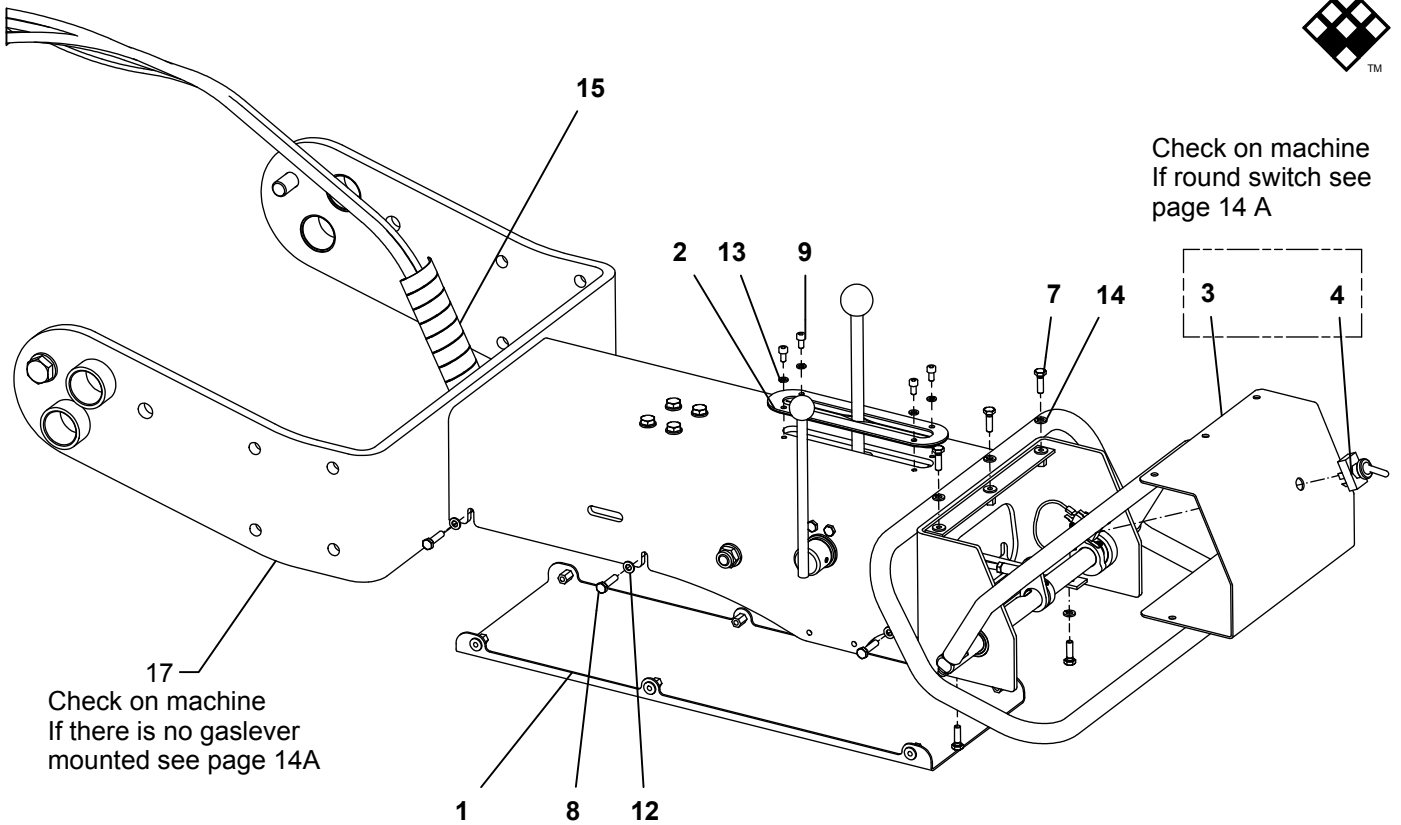


	PART #	DESCRIPTION	REMARKS	QUA
1	468.081.450	Mounting Plate Wheel Motor		1
2	468.152.500	Counterweight Plate	Check diameter Ø250mm / 9.84"	10
	468.152.501	Counterweight plate Ø230mm	Check diameter Ø230mm / 5.8"	1
3	474.600.470	Welding Assembly Wheel Hub 1		
4	494.064.047	Weld Assy Frame Front Wheel		1
5	511.600.326	Wheel complete 24x13.00-12 smooth	Standard	1
	511.600.325	Wheel complete 24x13.00-12	Option	1
6	532.322.550	Hydraulic motor 750cc	Check length L=147mm (5.78")	1
	532.322.530	Hydraulic motor 470cc	Check length L=125mm (4.92")	
7	852.160.230	Threaded rod M16x230		2
8	802.120.750	Bolt DIN 931-1 - M12 x 75		4
9	826.160.160	Nut DIN 934 - M16		4
10	830.120.120	SL Nut DIN 985 - M12		4
11	830.160.160	SL Nut DIN 985 - M16		6
12	838.240.140	Castle head nut ANSI UNEF 1-20		1
13	844.120.120	Wheelnut - M12		4
14	864.160.030	Washer DIN 125 - M16		6
15	882.040.630	Split Pen ISO 1234 - 4 x 63		1
16	884.080.220	Parallel Key		1

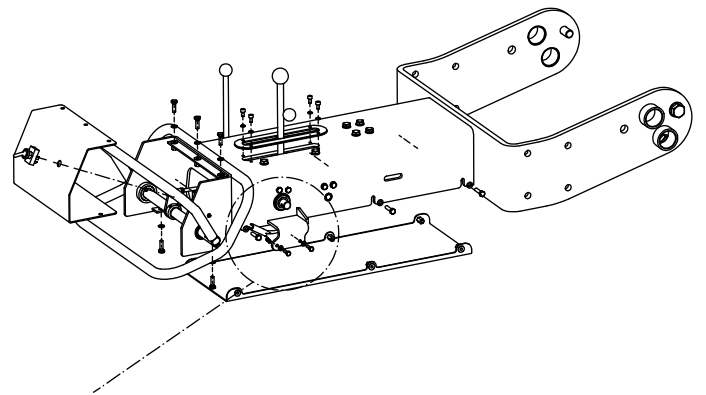




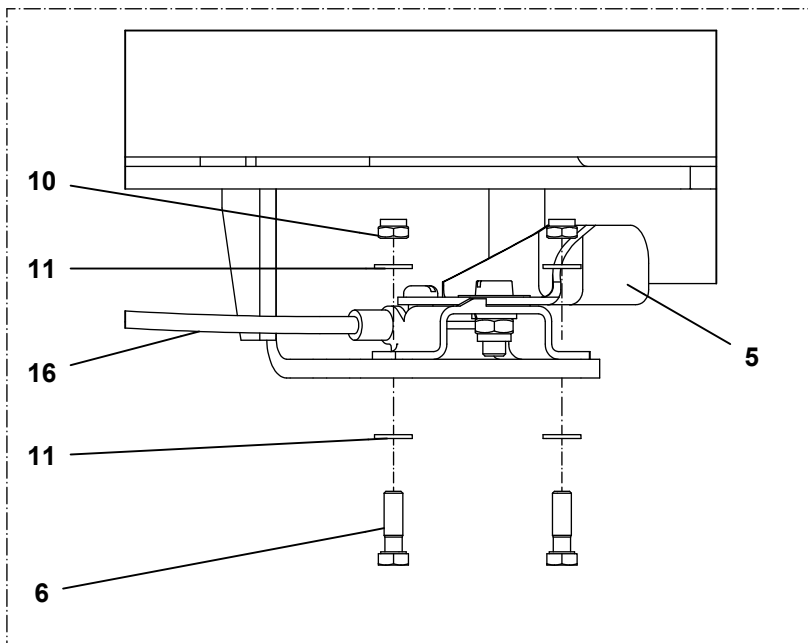
Check on machine  
If round switch see  
page 14 A



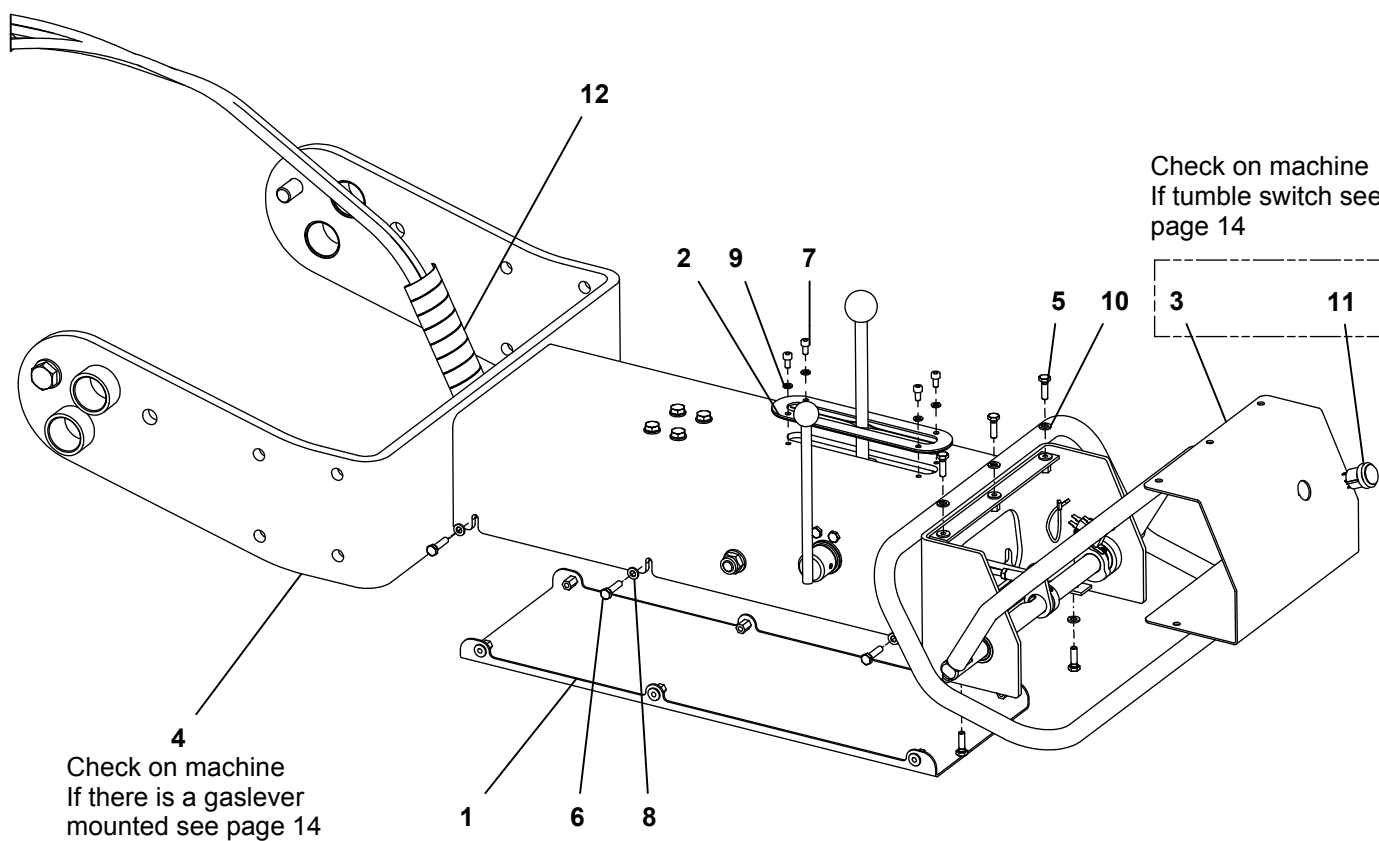
Check on machine  
If there is no gaslever  
mounted see page 14A



Check on machine  
If there is no gaslever mounted see page 12

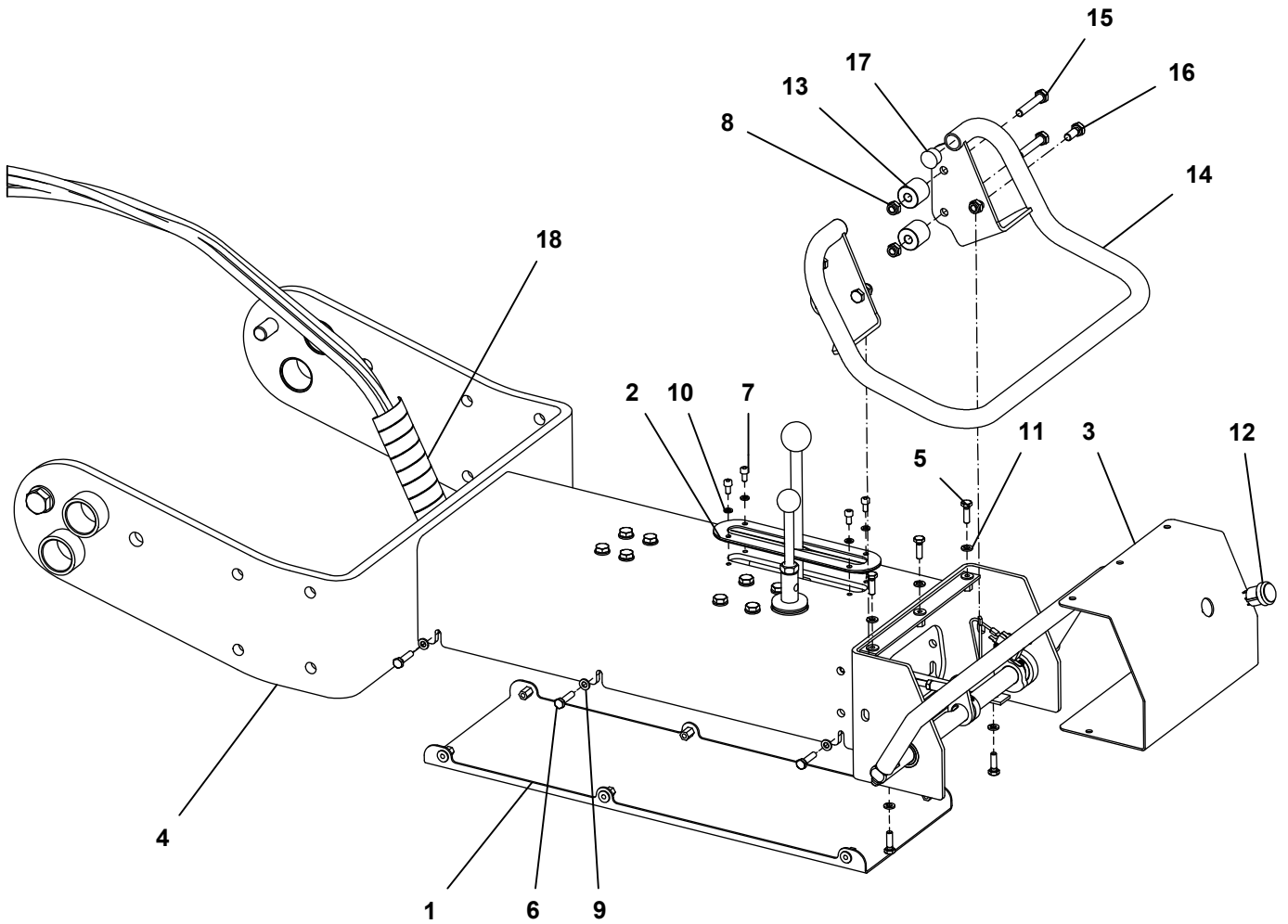


	PART #	DESCRIPTION	REMARKS	QUA
1	456.055.019	Cover Steering Beam		1
2	466.022.000	Cover Parking Brake Handle		1
3	468.022.380	Control Cover Steering Beam		1
4	564.200.340	Tumble Switch		1
5	676.301.002	Throttle Lever		1
6	804.050.160	Bolt DIN 933 - M5 x 16		2
7	804.060.200	Bolt DIN 933 - M6 x 20		5
8	804.060.250	Bolt DIN 933 - M6 x 25		6
9	814.050.100	Bolt DIN 912 - M5 x 10		4
10	830.050.050	SL Nut DIN 985 - M5		2
11	864.050.030	Washer DIN 125 - M5		4
12	864.060.030	Washer DIN 125 - M6		6
13	866.050.020	Spring washer DIN 127 - A 5		4
14	866.060.020	Spring washer DIN 127 - A 6		5
15	549.014.000	Cable/Hose Binder, L= 400		1
16	591.052.250	Throttle Cable Louts.=1900mm Lins.=2000mm		1
17	494.117.049	Weld assy steering arm		1

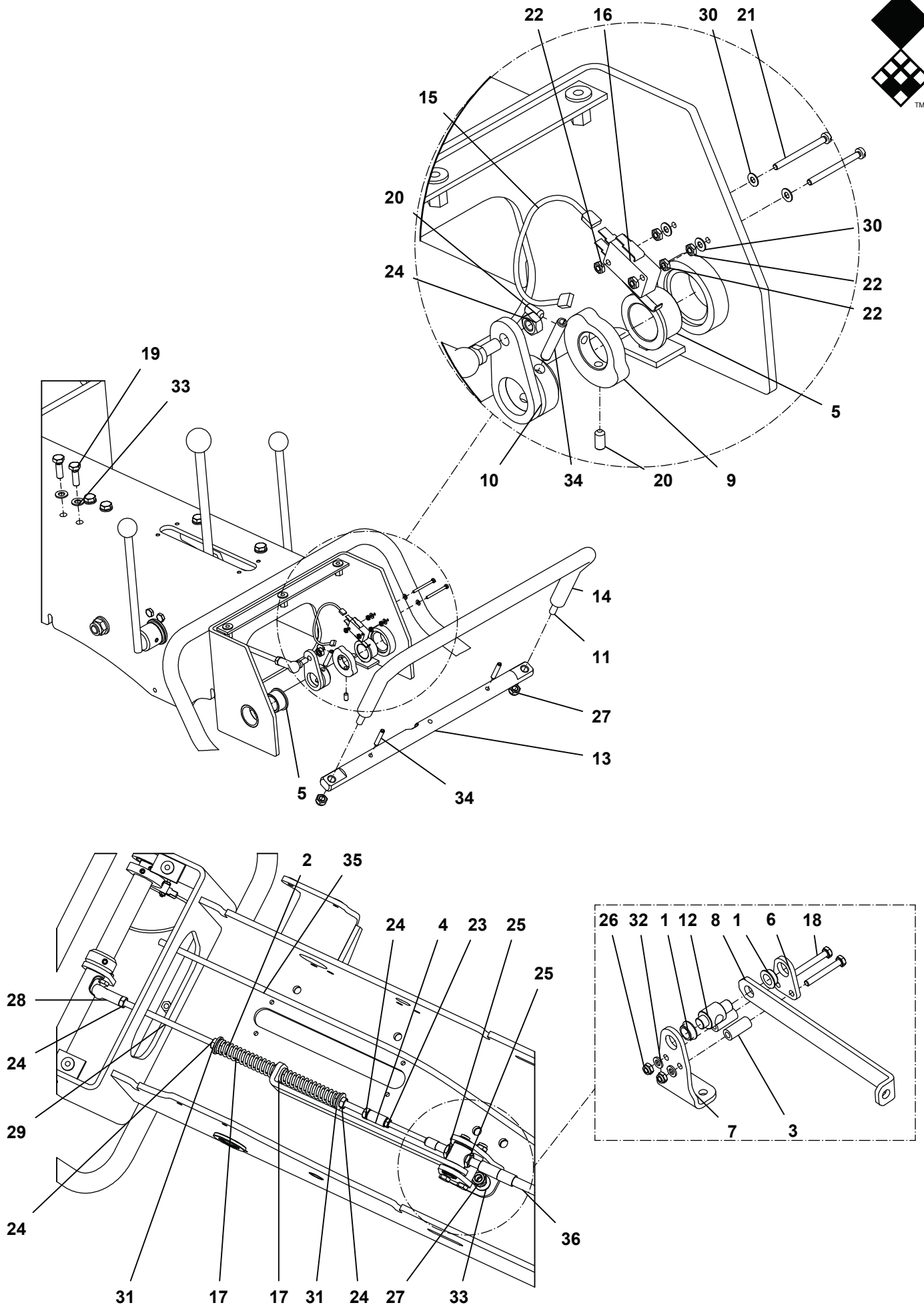




	PART #	DESCRIPTION	REMARKS	QUA
1	456.055.019	Cover Steering Beam		1
2	466.022.000	Cover Parking Brake Handle		1
3	468.022.382	Cover for switch with light		1
4	494.117.050	Weld Assy Steering Arm		1
5	804.060.200	Bolt DIN 933 - M6 x 20		5
6	804.060.250	Bolt DIN 933 - M6 x 25		6
7	814.050.100	Bolt DIN 912 - M5 x 10		4
8	864.060.030	Washer DIN 125 - M6		6
9	866.050.020	Spring washer DIN 127 - A 5		4
10	866.060.020	Spring washer DIN 127 - A 6		5
11	564.250.320	Tumble switch with light		1
12	549.014.000	Cable/Hose Binder, L= 400		1



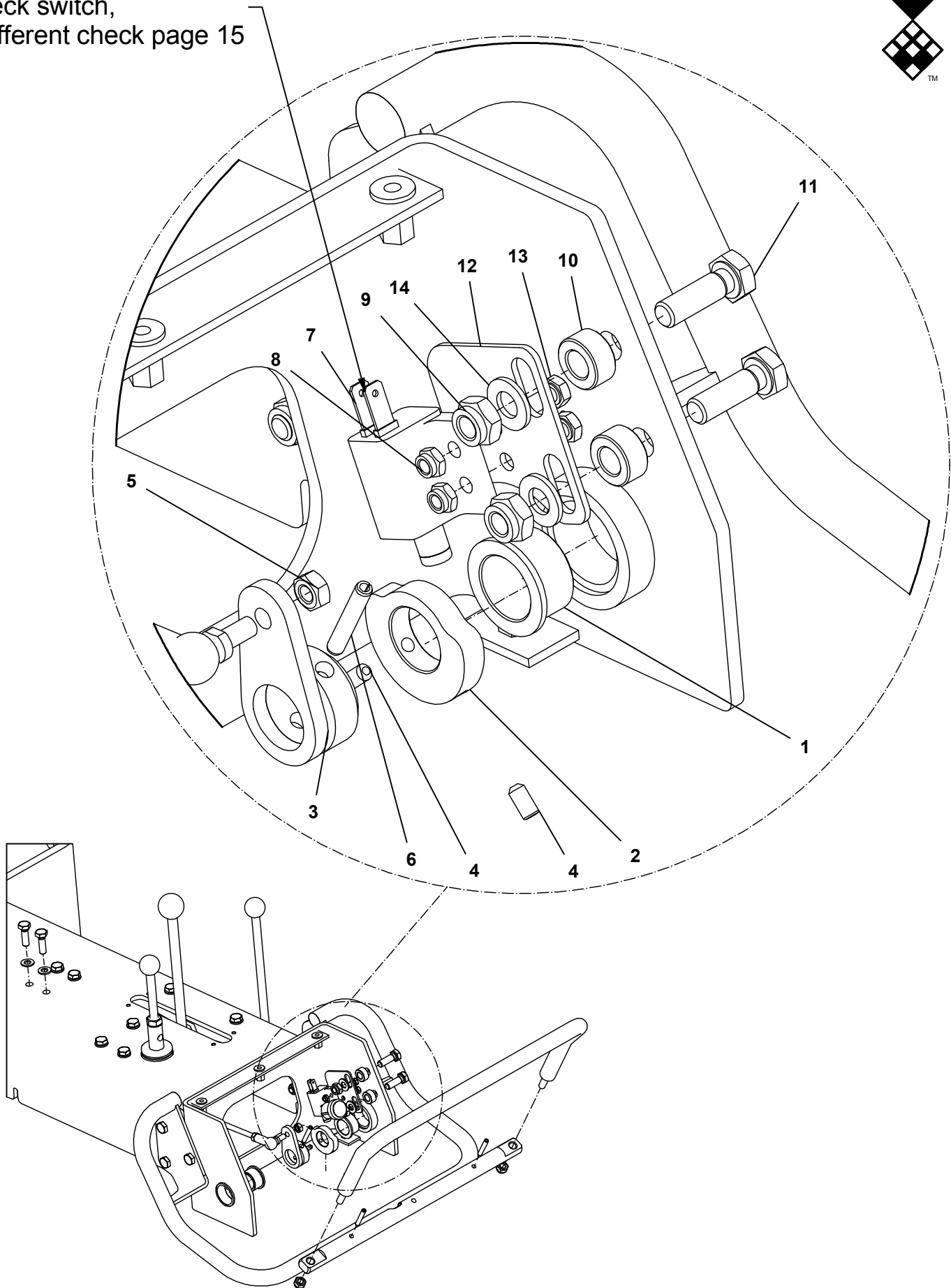
	PART #	DESCRIPTION	REMARKS	QUA
1	456.055.019	Cover Steering Beam		1
2	466.022.000	Cover Parking Brake Handle		1
3	468.022.382	Cover for switch with light		1
4	494.117.052	Weld Assy Steering Arm		1
5	804.060.200	Bolt DIN 933 - M6 x 20		5
6	804.060.250	Bolt DIN 933 - M6 x 25		6
7	814.050.100	Bolt DIN 912 - M5 x 10		4
8	830.080.080	SL Nut DIN 985 - M8		6
9	864.060.030	Washer DIN 125 - M6		6
10	866.050.020	Spring washer DIN 127 - A 5		4
11	866.060.020	Spring washer DIN 127 - A 6		5
12	564.250.320	Tumble switch with light		1
13	406.090.250	Distance Bush Ø25/Ø9, L= 25		4
14	478.182.420	Steering handle		1
15	802.080.450	Bolt DIN 931-1 - M8 x 45		4
16	804.080.200	Bolt DIN 933 - M8 x 20		2
17	892.200.150	End plug Ø20 L=14.5		2
18	549.014.000	Cable/Hose Binder, L= 400		1



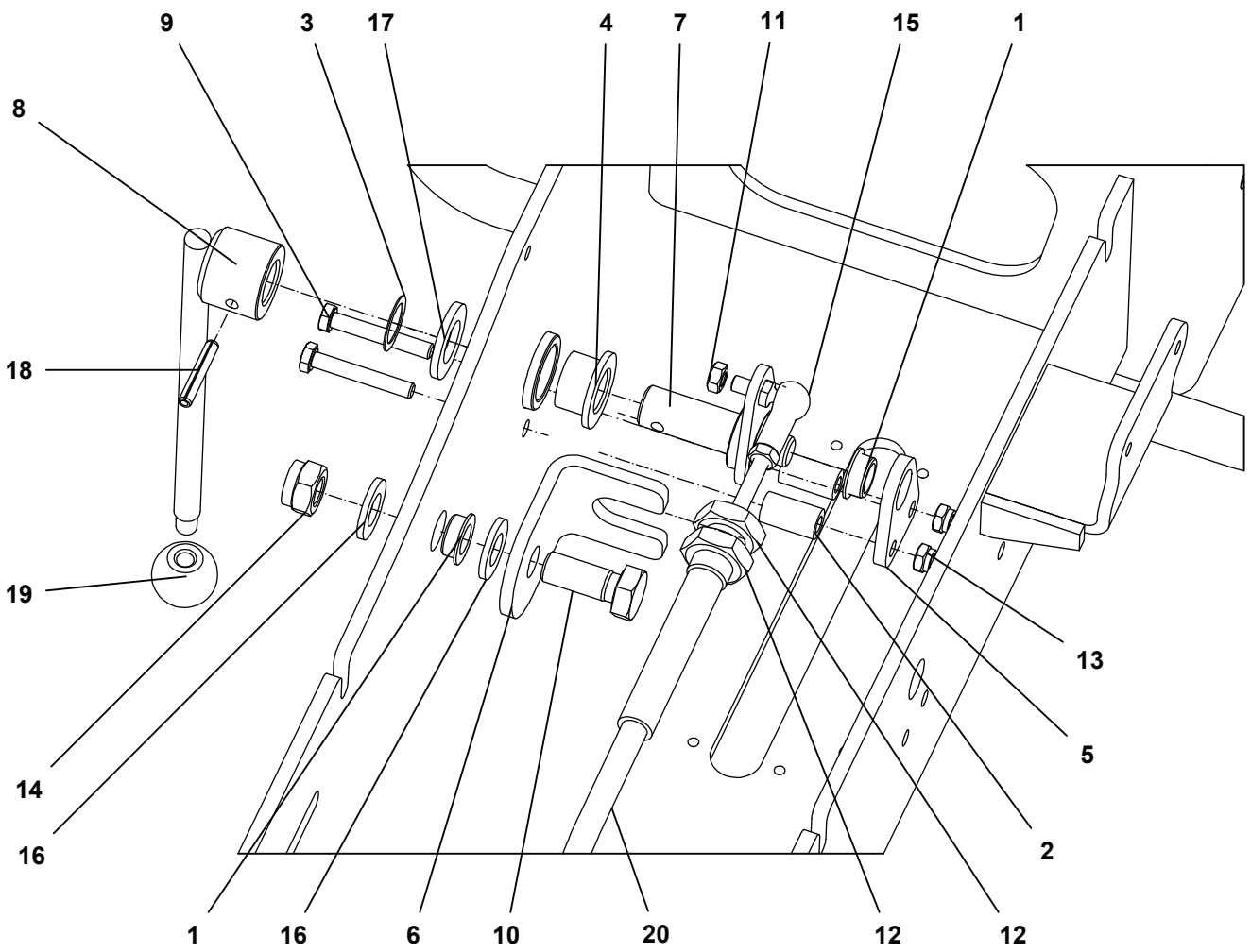
	PART #	DESCRIPTION	REMARKS	QUA
1	404.120.070	Bearing Bush Spindle		2
2	406.061.400	Distance Bush Ø9 / Ø5.5, L= 140		1
3	406.070.270	Distance Bush Ø12/Ø6.5, L= 27		2
4	408.100.200	Cable Connector		1
5	442.200.150	Bearing Bush Gearaxle		2
6	464.050.450	Pivot Lock Strip		1
7	464.050.900	Pivot Bracket		1
8	464.052.250	Angle Spring Return System		1
9	464.080.400	Cam Plate Switch		1
10	466.050.570	Connect Strip Throttle Bar		1
11	472.123.620	Throttle Bar		1
12	472.200.402	Pivot Bush Ø20		1
13	472.203.700	Throttle Pivot Shaft		1
14	541.135.800	Rubber tube Ø19.5/Ø12.5 L=580mm		1
15	563.010.150	Single core cable 1.5mm <sup>2</sup> , white, L=150		1
16	564.200.220	Switch		1
17	576.150.720	Compression Spring Ø15		2
18	802.060.450	Bolt DIN 931-1 - M6 x 45		2
19	804.080.250	Bolt DIN 933 - M8 x 25		2
20	818.050.100	Hex. Socket Set Screw DIN 916 - M5 x 10		2
21	824.030.350	Slotted Cheese Head Screw		2
22	826.030.030	Nut DIN 934 - M3		6
23	826.050.050	Nut DIN 934 - M5		1
24	826.060.060	Nut DIN 934 - M6		5
25	826.080.032	Low Nut Din 439-2 M8		2
26	830.060.060	SL Nut DIN 985 - M6		2
27	830.080.080	SL Nut DIN 985 - M8		4
28	850.060.320	Ball Joint M6		1
29	852.063.030	Threaded Rod M6, L= 303 CLASS 8.8		1
30	864.030.030	Washer DIN 125 - M3		4
31	864.060.021	Large Washer DIN 9021 - 6,4		2
32	864.060.030	Washer DIN 125 - M6		2
33	864.080.030	Washer DIN 125 - M8		4
34	878.050.300	Roll Pin ISO 8752 - 5 x 30 A		3
35	563.063.000	Electric Cable Verti-Power		1
36	591.091.500	Pump Control Cable, L= 1490		1



Check switch,  
if different check page 15

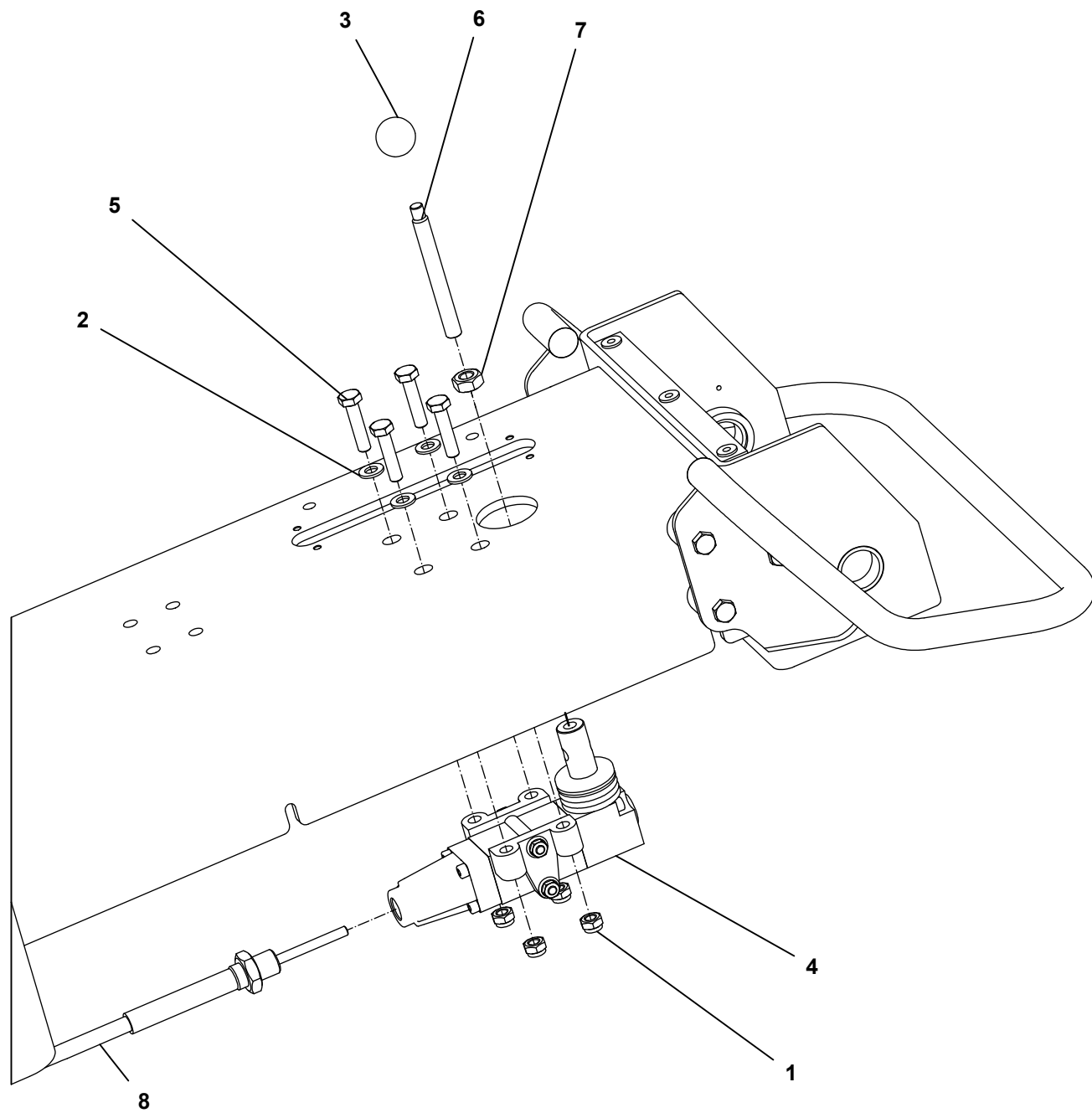


	PART #	DESCRIPTION	REMARKS	QUA
1	442.200.150	Bearing Bush Gearaxle		2
2	464.080.400	Cam Plate Switch		1
3	466.050.570	Connect Strip Throttle Bar		1
4	818.050.100	Hex. Socket Set Screw DIN 916 - M5 x 10		2
5	826.060.060	Nut DIN 934 - M6		1
6	878.050.300	Roll Pin ISO 8752 - 5 x 30 A		1
7	564.280.600	Switch		1
8	830.050.050	SL Nut DIN 985 - M5		2
9	830.080.080	SL Nut DIN 985 - M8		2
10	406.080.082	Distance bush Ø8.5/Ø16 h=8		2
11	804.080.250	Bolt DIN 933 - M8 x 25		2
12	468.020.554	Switch bracket steering arm		1
13	804.050.160	Bolt DIN 933 - M5 x 16		2
14	864.080.030	Washer DIN 125 - M8		2

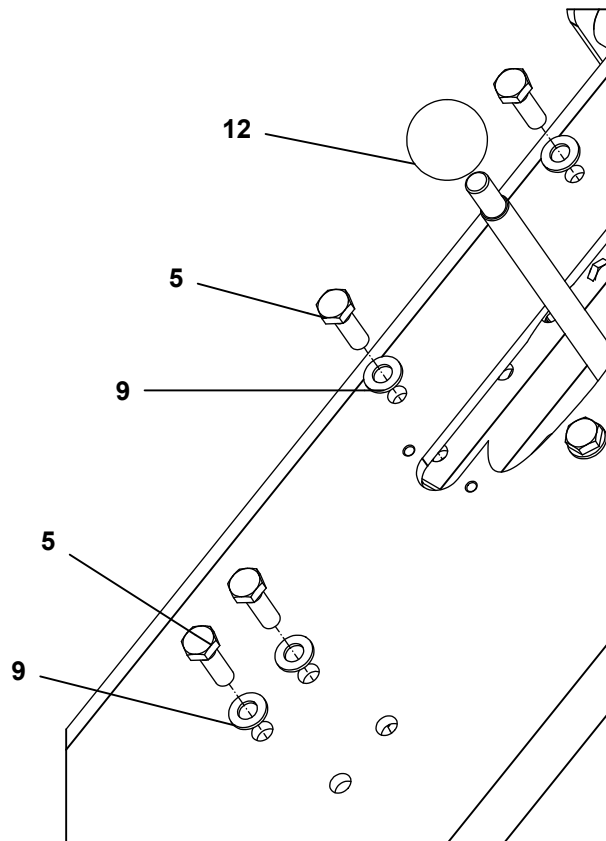
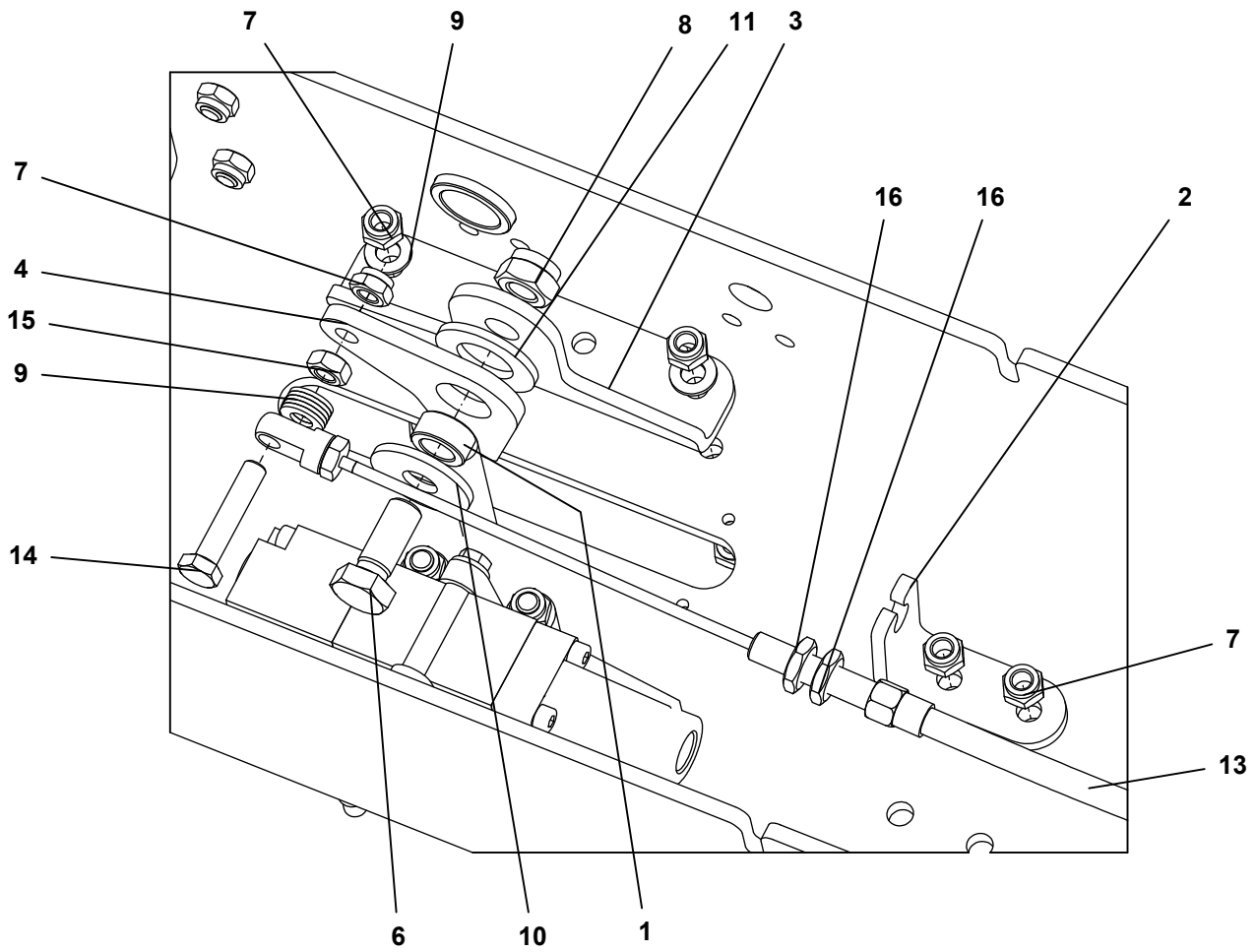




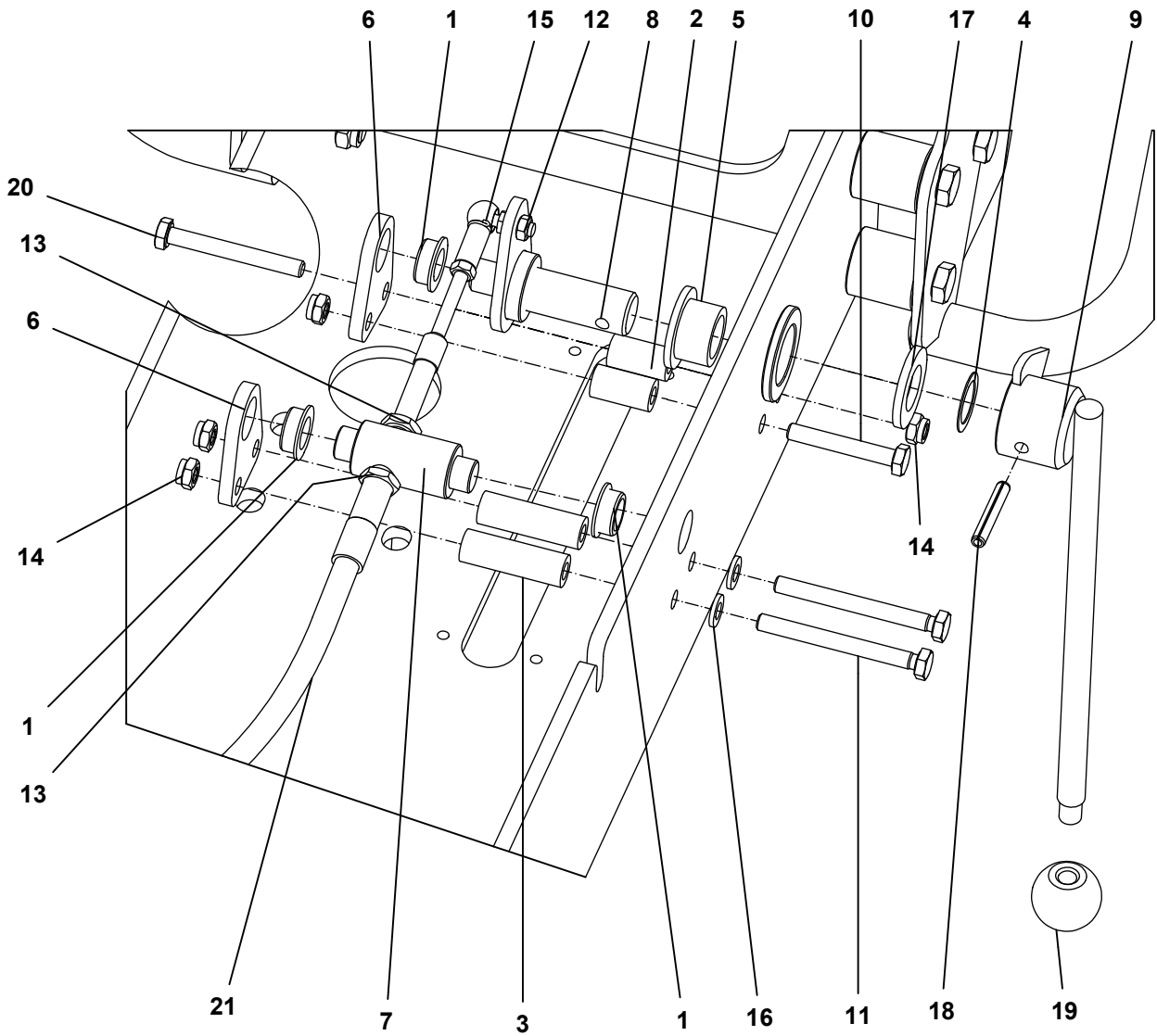
	PART #	DESCRIPTION	REMARKS	QUA
1	404.120.070	Bearing Bush Spindle		2
2	406.070.220	Distance Bush Ø12/Ø6.5, L= 22	From serial number: C310212	2
3	4306000	Shim 22 16 - 0.5		1
4	442.160.154	Bearing Bush		1
5	464.050.450	Pivot Lock Strip	From serial number: C310212	1
6	464.050.600	Bracket Cable Valve Control		1
7	474.250.482	Weld Assy Valve Control Pin		1
8	474.300.352	Weld Assy Valve Control Handle		1
9	802.060.400	Bolt DIN 931-1 - M6 x 40		2
10	804.120.300	Bolt DIN 933 - M12 x 30		1
11	826.060.060	Nut DIN 934 - M6		1
12	826.160.080	Low Nut Din 439-2 M16		2
13	830.060.060	SL Nut DIN 985 - M6		2
14	830.120.120	SL Nut DIN 985 - M12		2
15	850.060.320	Ball Joint M6		1
16	864.120.030	Washer DIN 125 - M12		2
17	864.160.030	Washer DIN 125 - M16		1
18	878.050.300	Roll Pin ISO 8752 - 5 x 30 A		1
19	892.060.300	Plastic Knob M8		1
20	591.102.500	Valve Control Cable		1



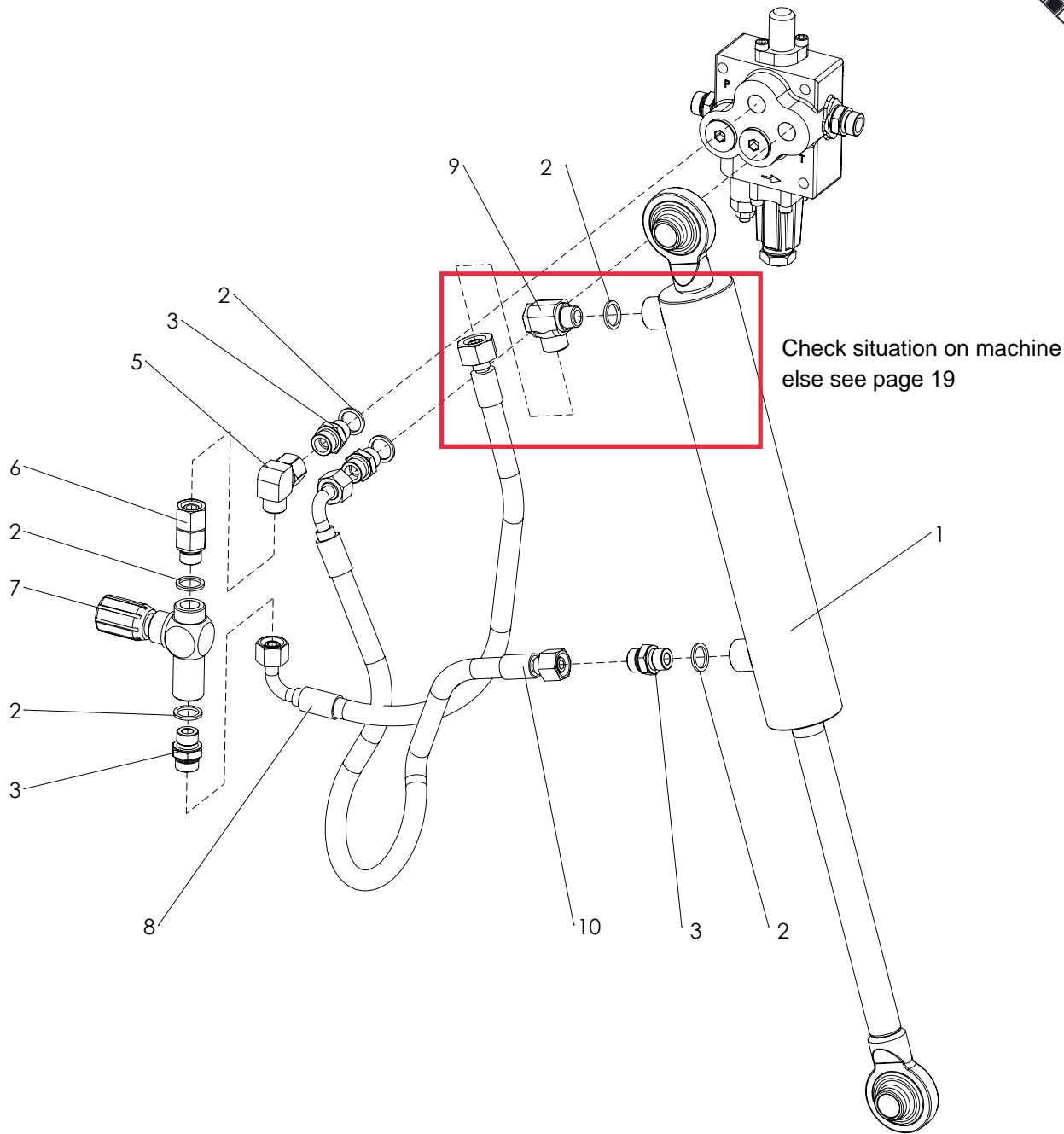
	PART #	DESCRIPTION	REMARKS	QUA
1	830.080.080	SL Nut DIN 985 - M8		4
2	864.080.030	Washer DIN 125 - M8		4
3	892.060.300	Plastic Knob M8		1
4	536.461.030	Lever assy		1
5	802.080.350	Bolt DIN 931-1 - M8 x 35		4
6	416.100.950	Lever rod		1
7	826.100.100	Nut DIN 934 - M10		1
8	591.102.500	Valve Control Cable		1



	PART #	DESCRIPTION	REMARKS	QUA
1	406.130.102	Distance Bush Ø20 / Ø12.5, L= 9.5		1
2	464.050.640	Bracket		1
3	464.050.652	Pivot Bracket		1
4	470.060.730	Parking Brake Handle		1
5	804.080.250	Bolt DIN 933 - M8 x 25		4
6	804.120.300	Bolt DIN 933 - M12 x 30		1
7	830.080.080	SL Nut DIN 985 - M8		5
8	830.120.120	SL Nut DIN 985 - M12		1
9	864.080.030	Washer DIN 125 - M8		11
10	864.120.031	Large Washer DIN 9021 - 13		1
11	864.200.030	Washer DIN 125 - M20		1
12	892.100.380	Knob M10		1
13	591.102.700	Parking Brake Cable		1
14	802.080.400	Bolt DIN 931-1 - M8 x 40		1
15	826.080.080	Nut DIN 934 - M8		1
16	826.100.050	Low Nut Din 439-2 M10		1



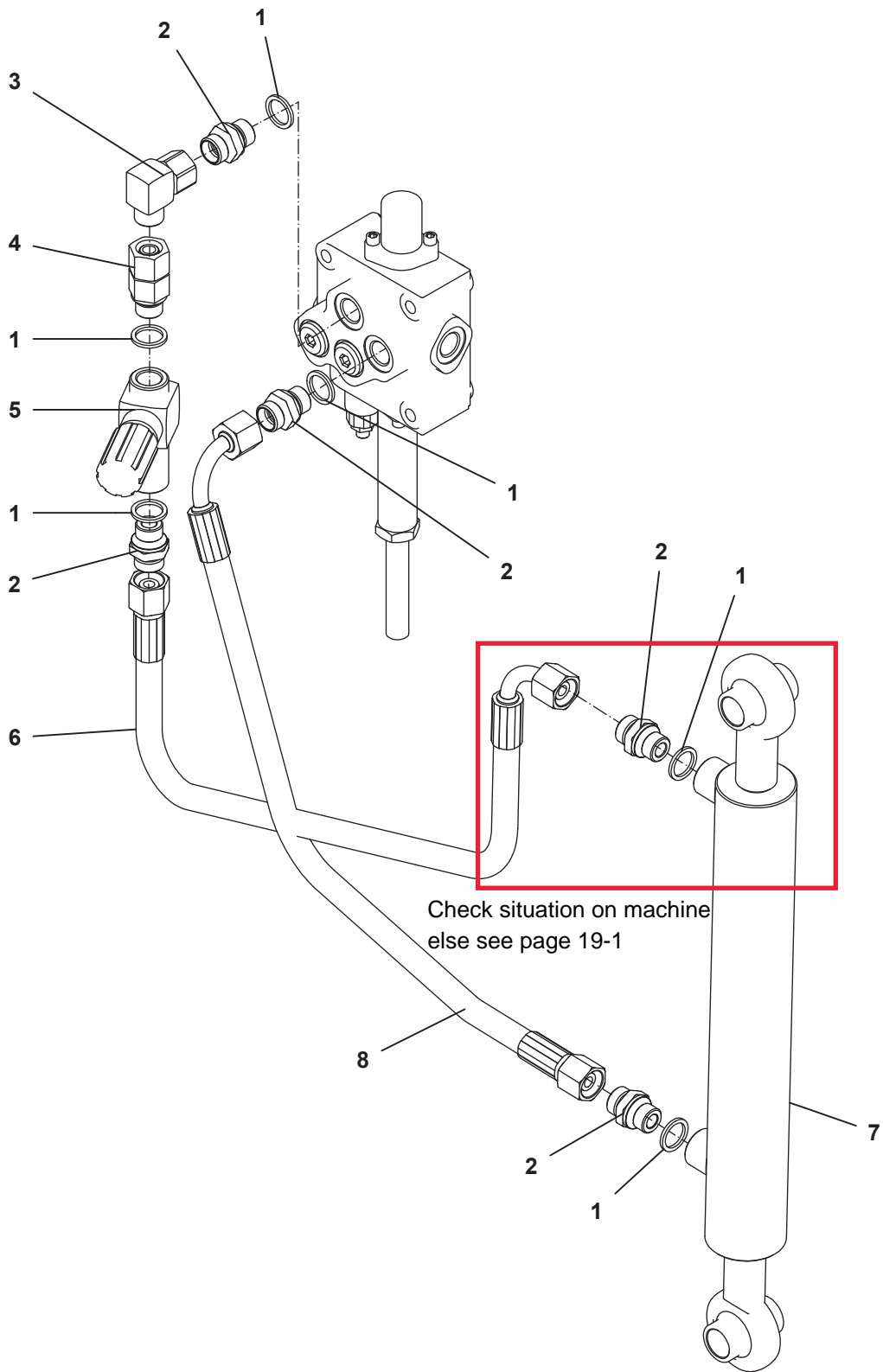
	PART #	DESCRIPTION	REMARKS	QUA
1	404.120.070	Bearing Bush Spindle		3
2	406.070.220	Distance Bush Ø12/Ø6.5, L= 22	From serial number: C310212	2
3	406.070.380	Distance Bush Ø12/Ø6.5, L= 38		2
4	4306000	Shim 22_16 - 0.5		1
5	442.160.154	Bearing Bush		1
6	464.050.450	Pivot Lock Strip	From serial number: C310212	2
7	472.200.510	Pivot Bush Ø20		1
8	474.250.480	Weld Assy Pump Control Pin		1
9	474.300.350	Weld Assy Pump Control Handle		1
10	802.060.400	Bolt DIN 931-1 - M6 x 40		2
11	804.060.600	Bolt DIN 933 - M6 x 60		2
12	826.050.050	Nut DIN 934 - M5		1
13	826.100.500	Low Nut Din 439-2 M10		2
14	830.060.060	SL Nut DIN 985 - M6		4
15	850.050.220	Ball Joint M5		1
16	864.060.030	Washer DIN 125 - M6		2
17	864.160.030	Washer DIN 125 - M16		1
18	878.050.300	Roll Pin ISO 8752 - 5 x 30 A		1
19	892.060.300	Plastic Knob M8		1
20	802.060.500	Bolt DIN 931-1 - M6 x 50		1
21	591.091.650	Pump Setting Cable, L= 1590		1



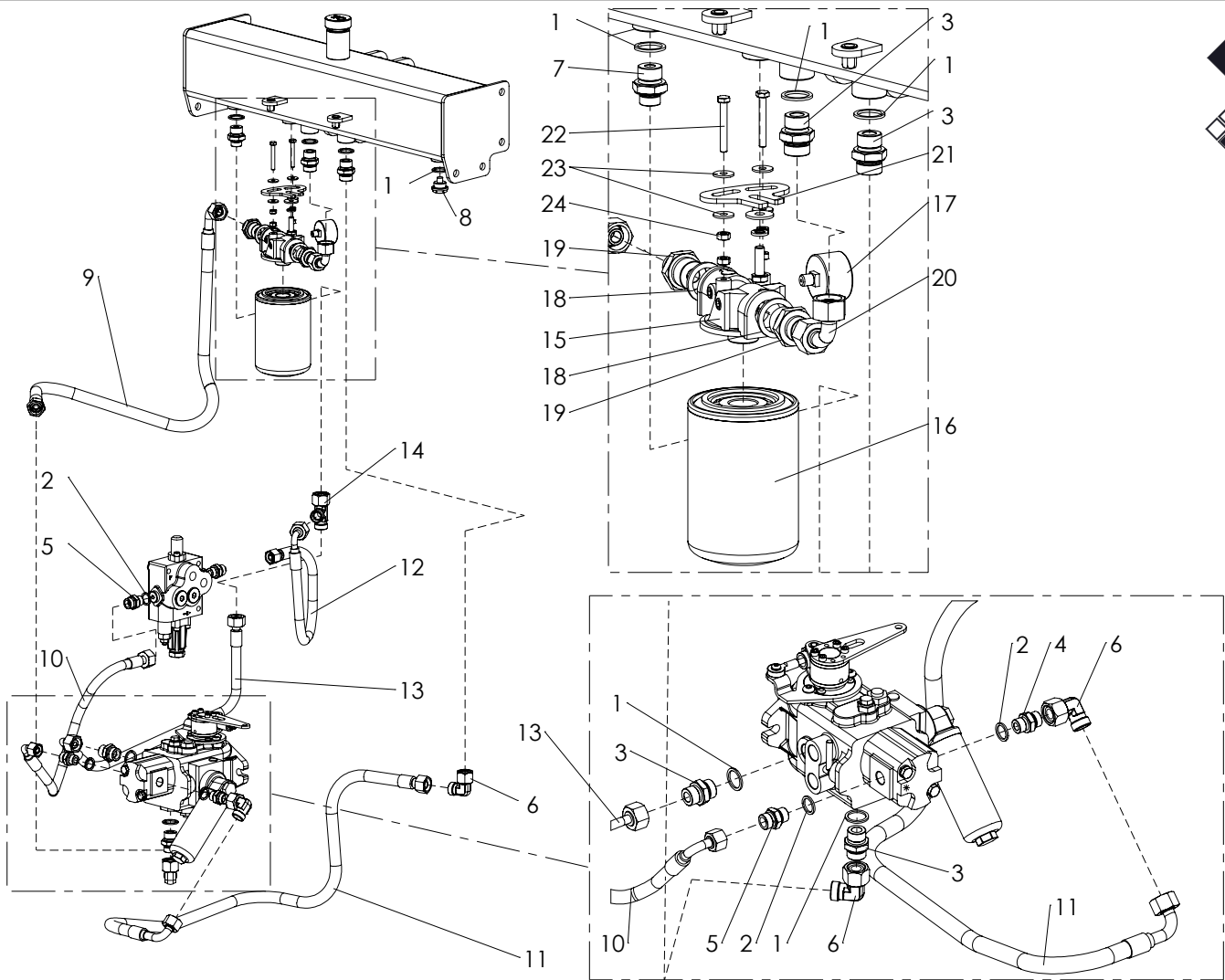
ITEM	PART NUMBER	DESCRIPTION	REMARKS	QUA
1	440.255.220	Cylinder		1
2	874.170.020	Copper washer 3_8		6
3	544.170.120	Nipple BSP 3_8" x pipe 12 (M18)		4
4	544.180.400	L-Connector M18		1
5	544.123.180	L-Connector PM. Pipe 12-M18		1
6	543.170.120	3/8 to 12mm connector		1
7	536.300.500	Flow reducer 3/8" FPU05001		1
8	541.190.670	Hose NSK 10-3/8" PGLO1022 PGLO101890 TL=670mm		1
9	544.173.430	L-connector G3/8-12mm		1
10	541.170.460	Hose NSK 10-3/8" PGLO1018 PGLO101890 TL=460		1



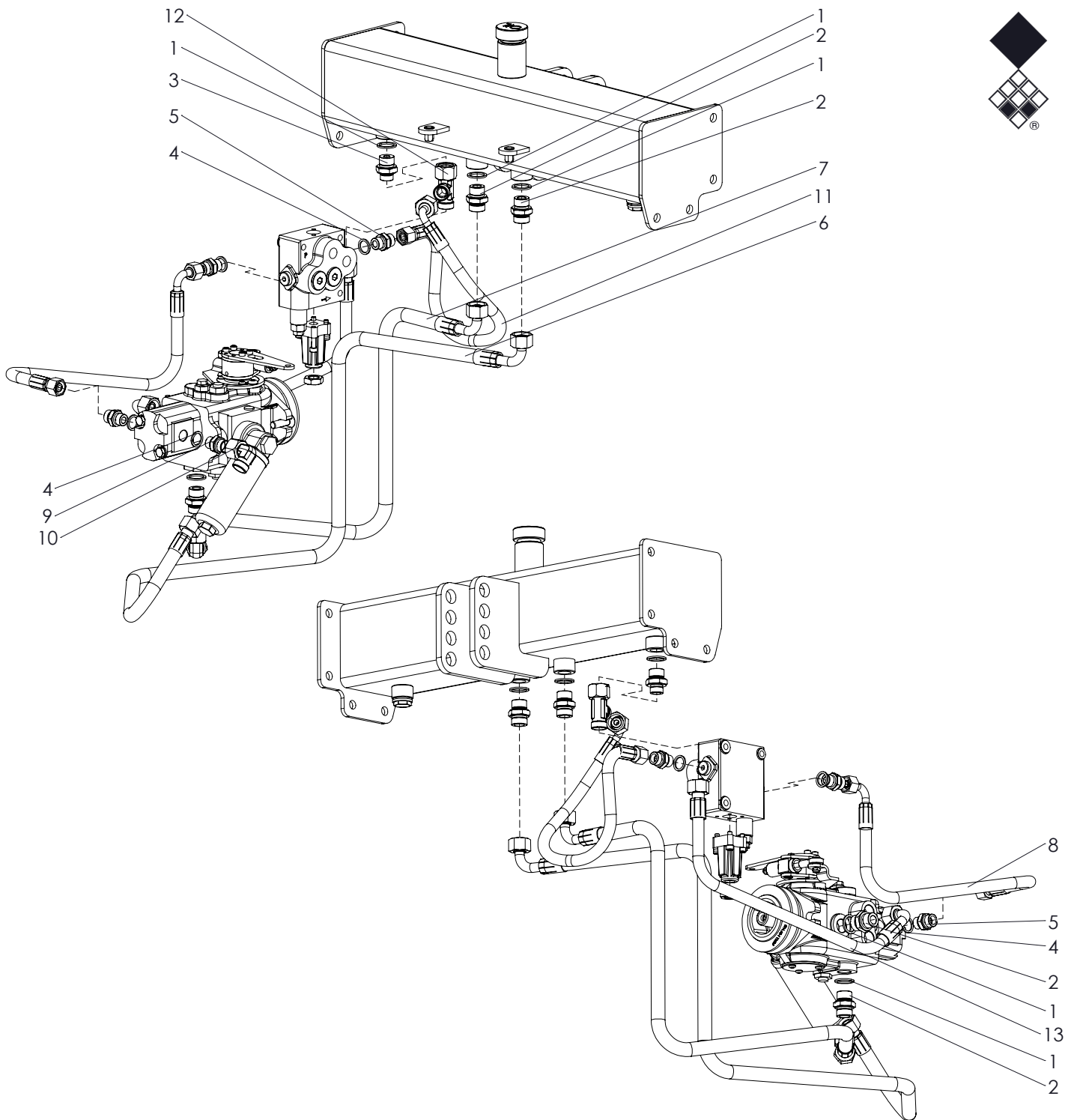




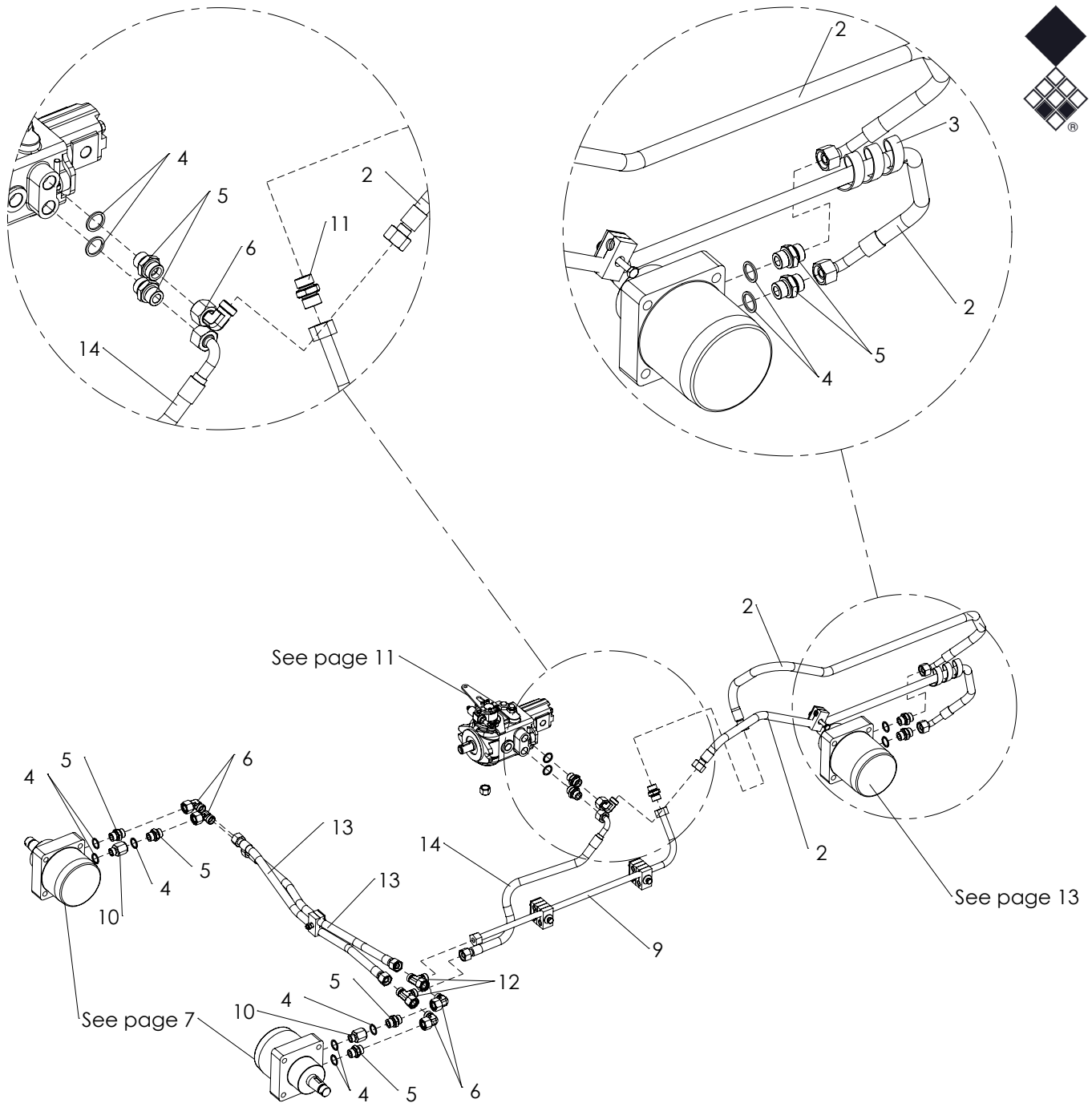
	PART #	DESCRIPTION	REMARKS	QUA
1	874.170.020	Copper washer 3/8"		6
2	544.170.120	Straight Nipple 3/8" - Ø12mm		5
3	544.180.400	L-Connector M18		1
4	543.170.120	3/8 to 12mm connector		1
5	536.300.500	Flow Regulator w Return Valve		1
6	541.190.670	Hose NSK 10 - 3/8", L= 670		1
7	440.255.220	Weld Assy Hydr. Cylinder		1
8	541.170.460	Hose NSK 10 - 3/8", L= 460		1



ITEM	PART NUMBER	DESCRIPTION	REMARKS	QUA
1	874.210.020	Copper washer 1_2		6
2	874.170.020	Copper washer 3_8		4
3	544.210.150	Nipple BSP 1_2" x pipe 15 (M22)		4
4	544.170.150	Nipple BSP 3_8" x pipe 15 (M22)		1
5	544.170.120	Nipple BSP 3_8" x pipe 12 (M18)		3
6	544.151.150	L-Connector PM. Pipe 15-M22		3
7	544.130.402	Nipple BSP 1_2" x pipe 12 (M18)		1
8	549.210.250	Magnetic plug G1/2		1
9	541.190.752	Hose NSK13 - 1/2" PGL01322 PGL0132290 TL=750		1
10	541.170.404	Hose NSK10 - 3/8" PGL01022 PGL0101890 TL=400		1
11	541.190.900	Hose NSK13 - 1/2" PGL013 22 PGL0132290 TL=900		1
12	541.170.420	Hose NSK10-3/8" PGL01018-PGL0102290 TL=420		1
13	541.210.480	Hose NSK10-3/8" PGL01022 PGL0102290 TL=480		1
14	544.154.700	T_L-Connector PM, Pipe 15-M22		1
15	533.950.570	Filter manifold		1
16	533.961.470	Filter		1
17	536.400.400	Indicator		1
18	874.260.020	Copper washer 3/4"		2
19	544.460.300	Nipple BSP 3_4"x pipe 15 (M22)		2
20	544.213.150	Nipple 90 deg 2x M22 15 L		1
21	468.040.804	Mount plate		1
22	804.060.450	Bolt M6 x 45 - ISO 4017		2
23	864.060.031	Large washer M6 - DIN 9021		4
24	826.060.060	Nut M6 - DIN 934		4

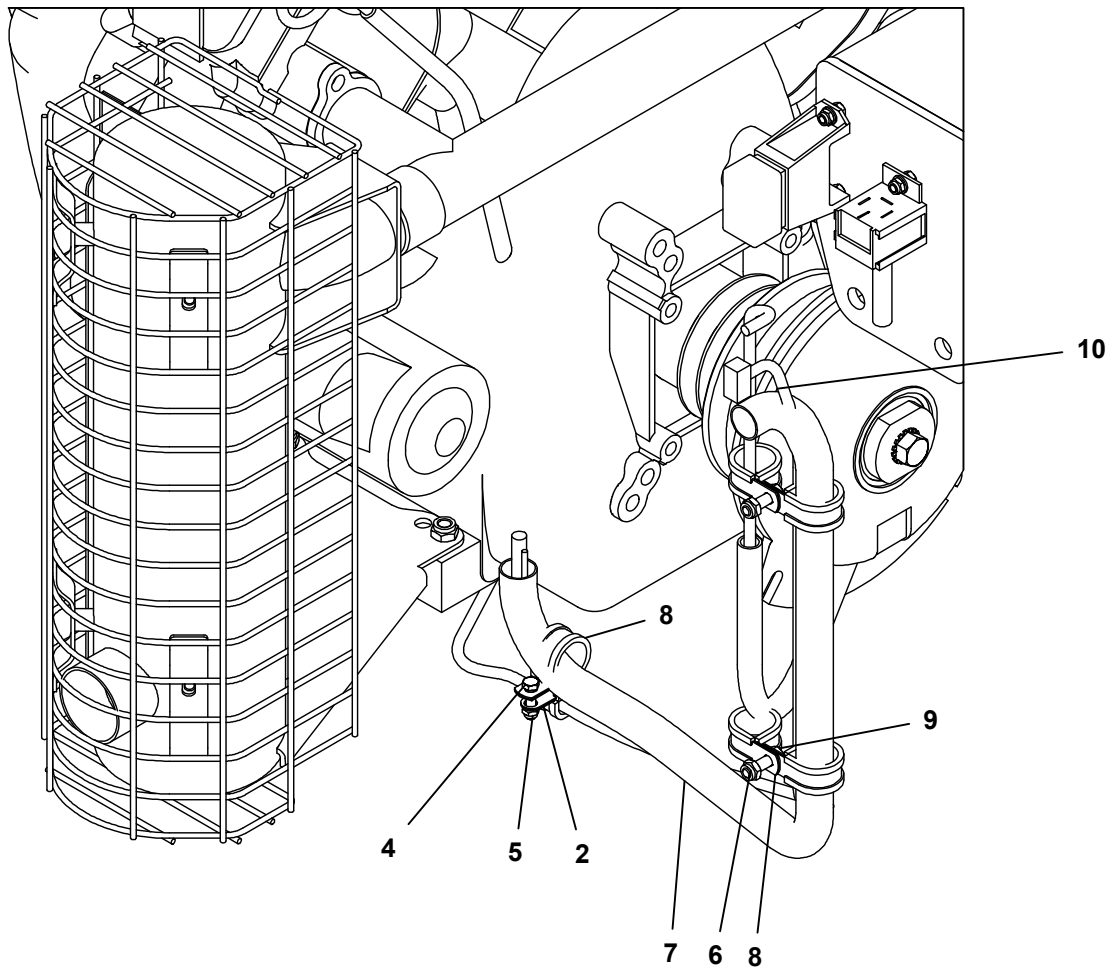
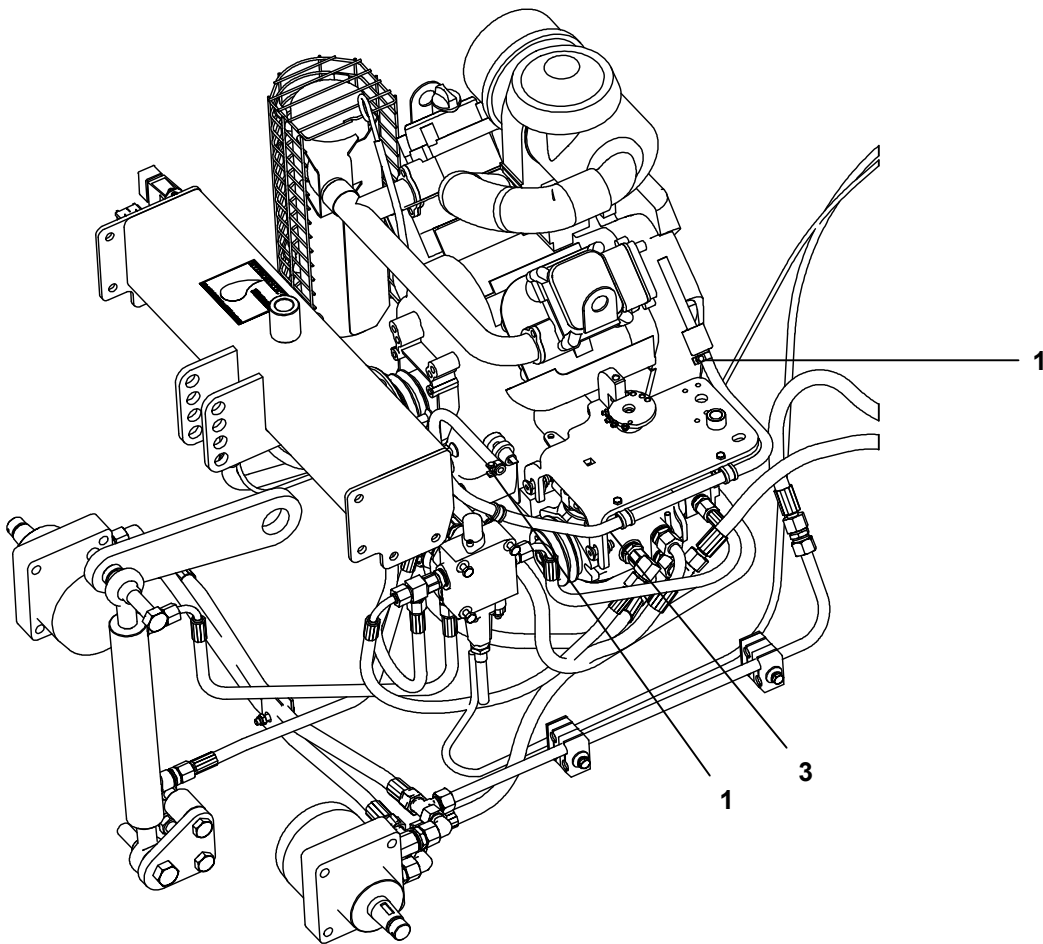


ITEM	PART NUMBER	DESCRIPTION	REMARKS	QUA
1	874.210.020	Copper washer 1_2		5
2	544.210.150	Nipple BSP 1_2" x pipe 15 (M22)		4
3	544.130.402	Nipple BSP 1_2" x pipe 12 (M18)		1
4	874.170.020	Copper washer 3_8		3
5	544.170.120	Nipple BSP 3_8" x pipe 12 (M18)		2
6	541.190.900	Hose NSK13 - 1/2" L=900 1xPGLO1322 1xPGLO132290		1
7	541.190.752	Hose NSK13 - 1/2" L=750 1xPGLO1322 1xPGLO132290		1
8	541.170.404	Hose NSK10 - 3/8" L=400		1
9	544.170.150	Nipple BSP 3_8" x pipe 15 (M22)		1
10	544.151.150	L-Connector PM. Pipe 15-M22		3
11	541.170.420	Hose NSK10-3/8" PGLO1018-PGLO102290 TL=420		1
12	544.154.700	T_L-Connector PM, Pipe 15-M22		1
13	541.210.480	Hose NSK10-1/2" PGLO1022 PGLO102290 TL=480		1



ITEM	PART NUMBER	DESCRIPTION	REMARKS	QUA
1				1
2	541.191.480	Hose NSK13-1/2" PGLO1322 PGLO132245 TL=1480		2
3	549.019.000	Cabel/Hose Binder L=1000		1
4	874.210.020	Copper washer 1_2		10
5	544.210.150	Nipple BSP 1_2" x pipe 15 (M22)		8
6	544.151.150	L-Connector PM. Pipe 15-M22		5
7	544.123.180	L-Connector PM. Pipe 12-M18		1
8	548.120.160	Cap Nut M18 x 1.5		1
9	476.126.330	Hydraulic pipe		1
10	544.215.310	Extension Nipple G1/2 x G1/2, L= 28		2
11	544.210.150	Nipple pipe 15 (M22) x pipe 15 (M22)		1
12	544.154.700	T_L-Connector PM, Pipe 15-M22		2
13	541.190.650	Hose NSK13-1/2" 2xPGLO1322 TL=650		2
14	541.190.480	Hose NSK13-1/2" PGLO1322 PGLO132290 TL=580		1



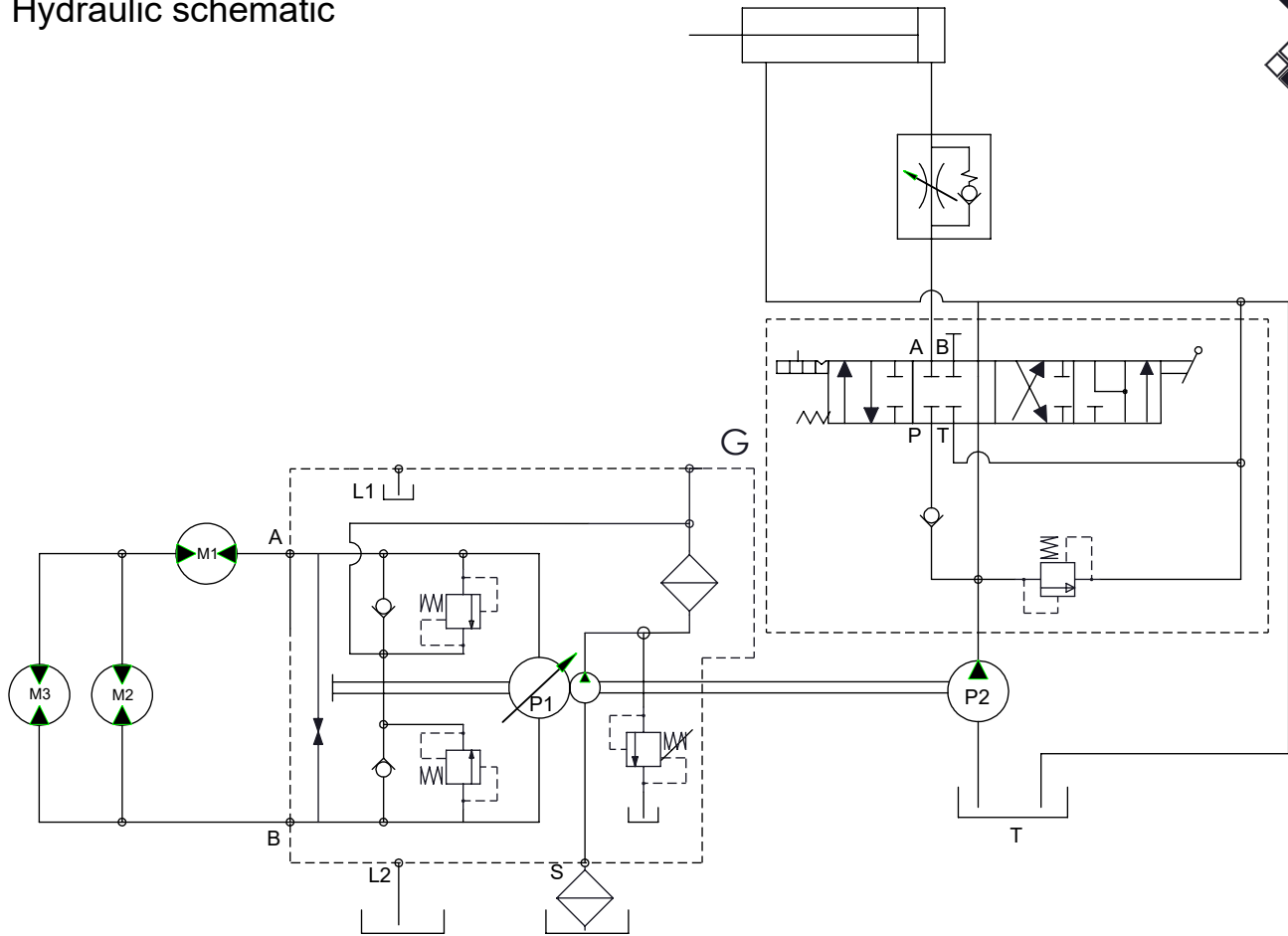




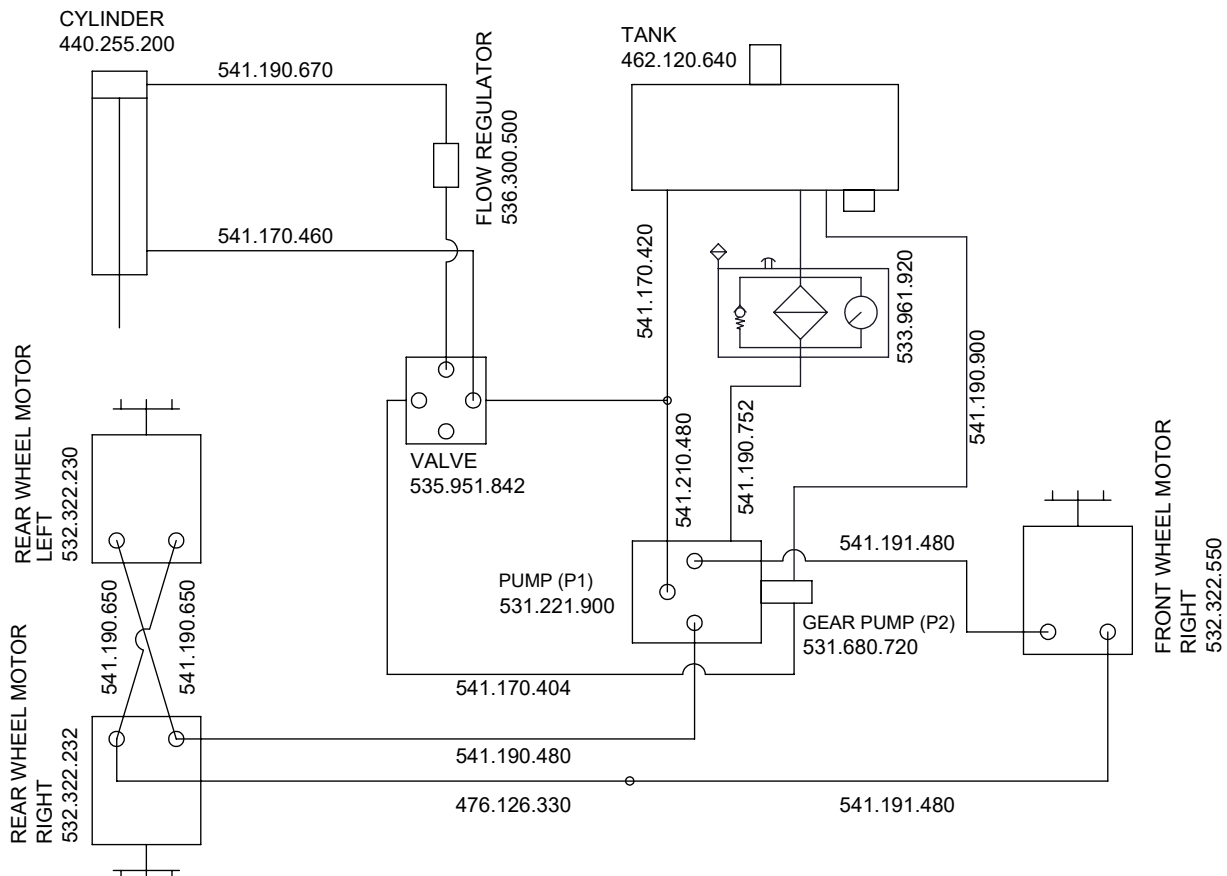
	PART #	DESCRIPTION	REMARKS	QUA
1	547.090.140	Hose Clamp 14		2
2	547.100.180	Hose Clamp Ø10		1
3	679.151.100	Fuel Hose, L= 1000		1
4	804.050.200	Bolt DIN 933 - M5 x 20		1
5	830.050.050	SL Nut DIN 985 - M5		1
6	830.060.060	SL Nut DIN 985 - M6		2
7	563.100.502	Cable battery box		1
8	547.220.300	Hose Clamp Ø22		5
9	804.060.200	Bolt DIN 933 - M6 x 20		2
10	563.103.000	Cable handle bar		1

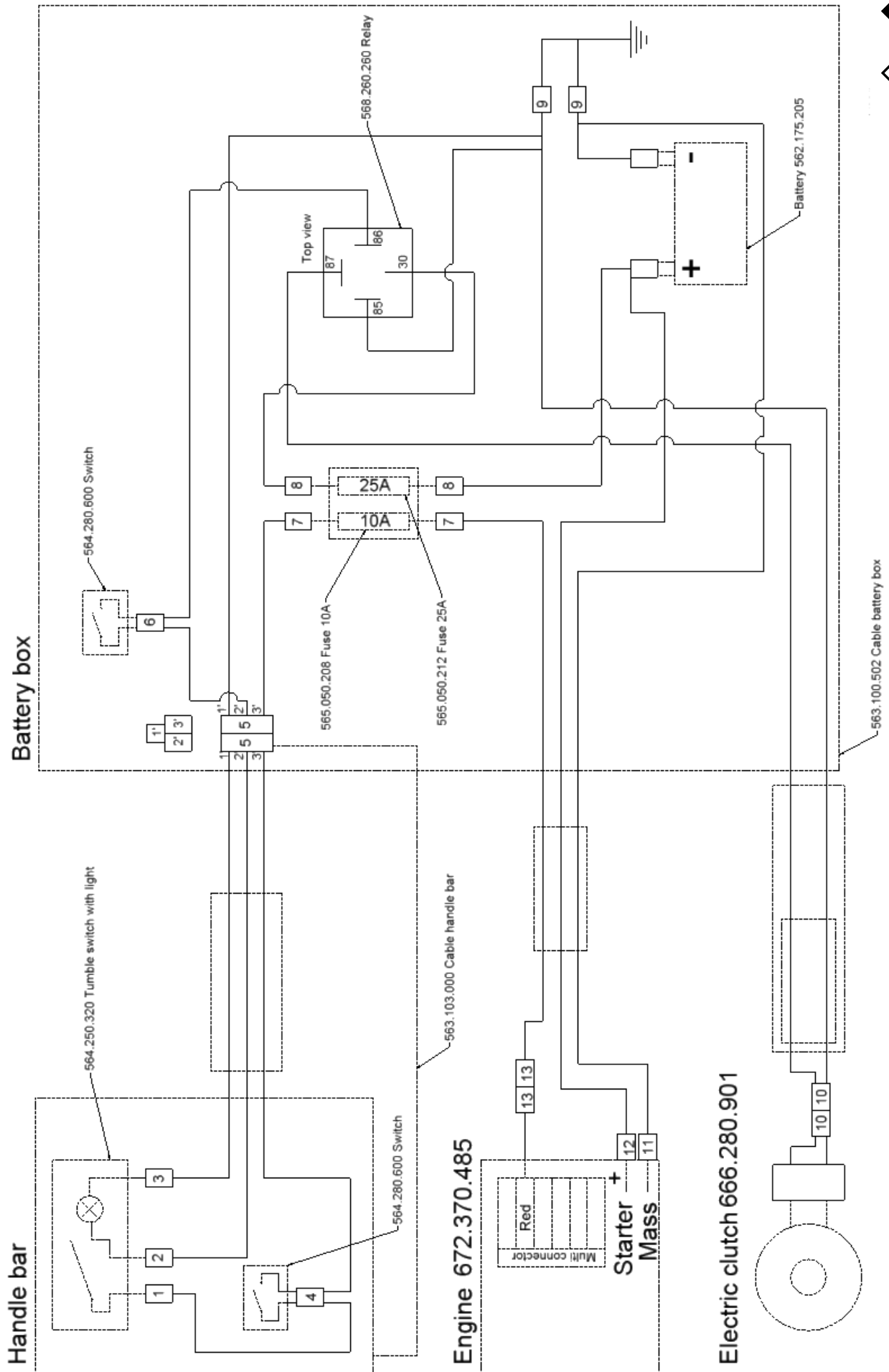


Hydraulic schematic

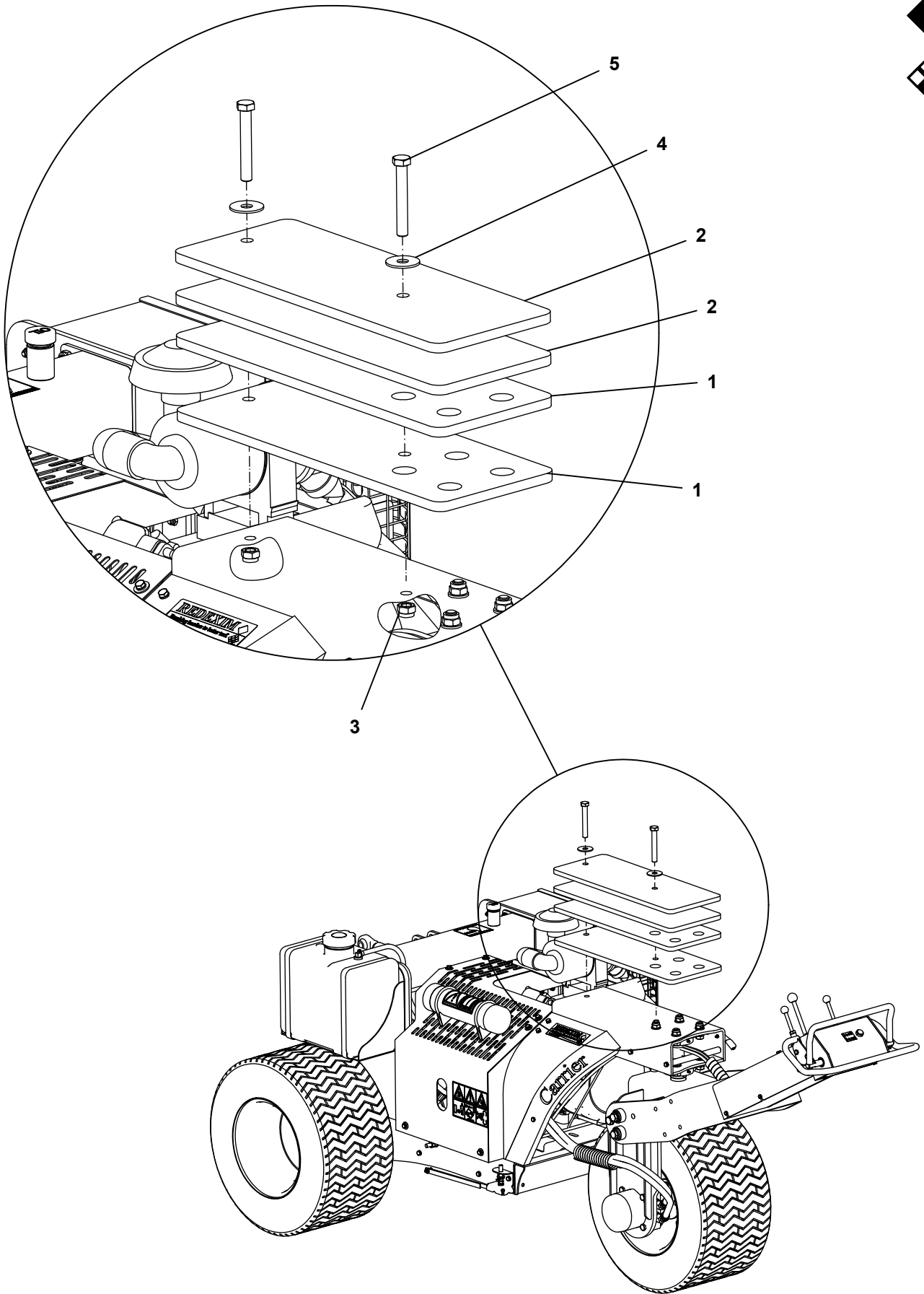


Hydraulic assembly schematic



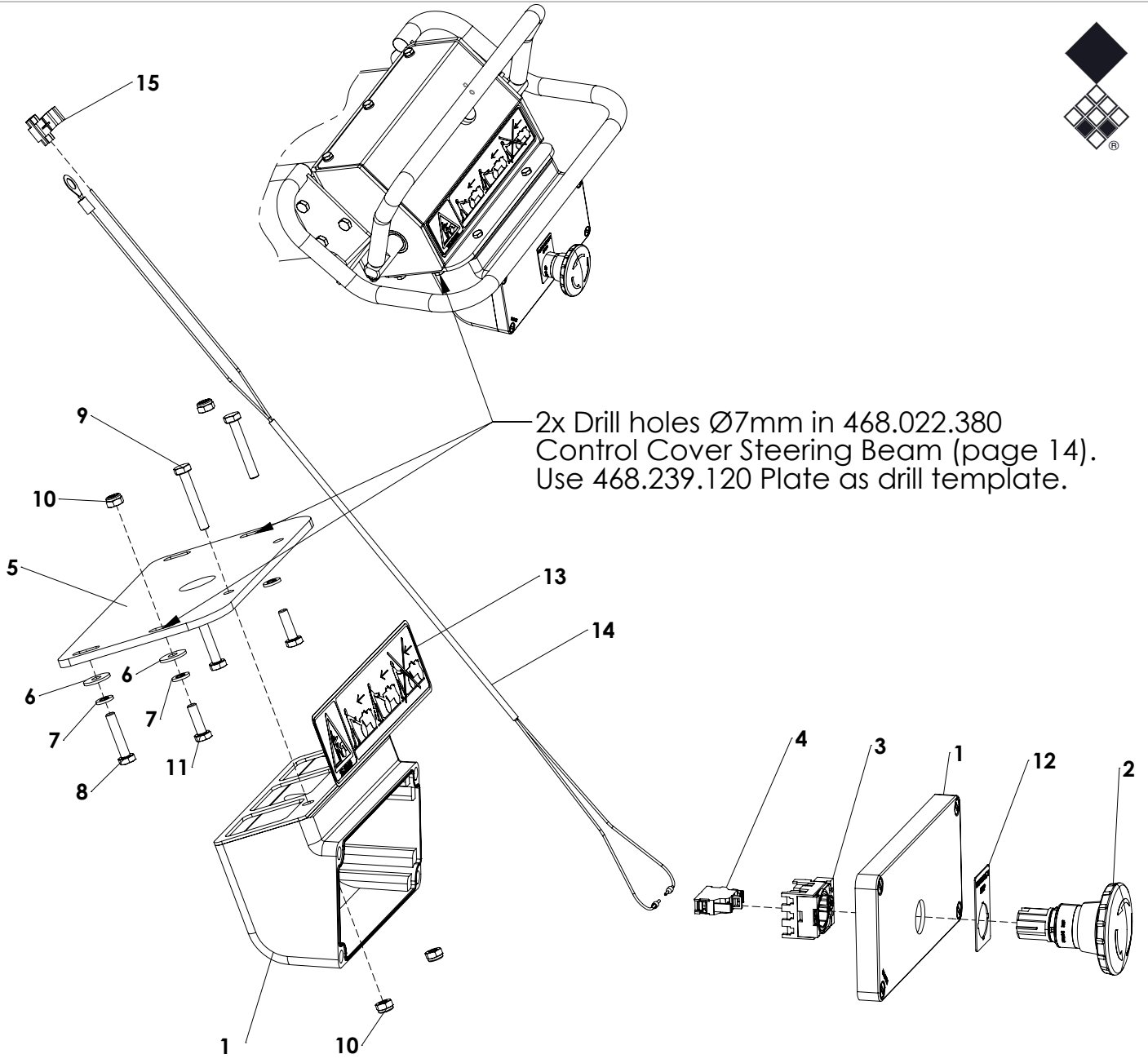


563.103.500 Cable harness Carrier complete (consists out of 563.100.502 and 563.103.000)



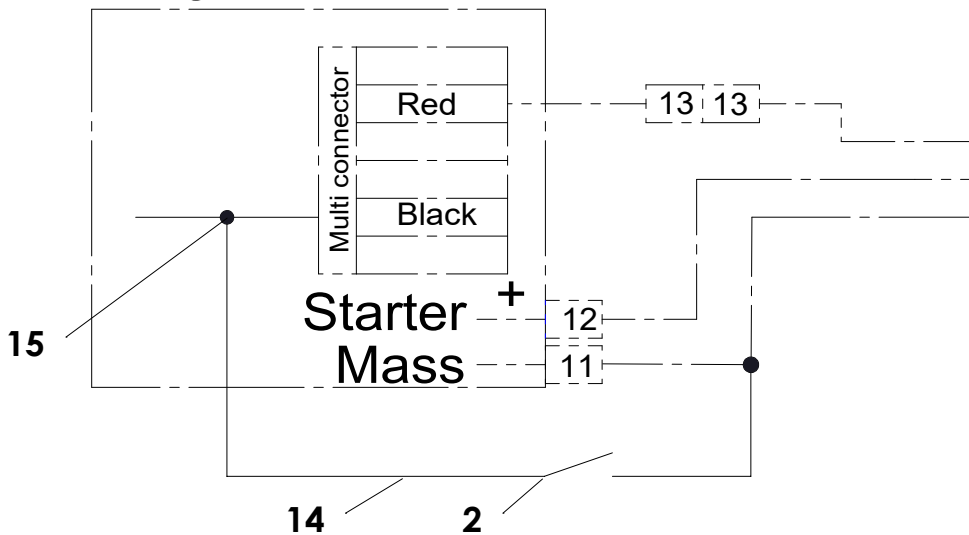
Extra mass: 64 Kg (141 lbs)

	PART #	DESCRIPTION	REMARKS	QUA
1	468.156.000	Mass plate holes		2
2	468.156.002	Mass plate		2
3	830.160.160	SL Nut DIN 985 - M16		2
4	864.160.031	Large Washer DIN 9021 - 17		2
5	802.161.110	Bolt DIN 931-1 - M16 x 110		2
	251.137.000	Weight kit carrier	Item 1-5 complete	



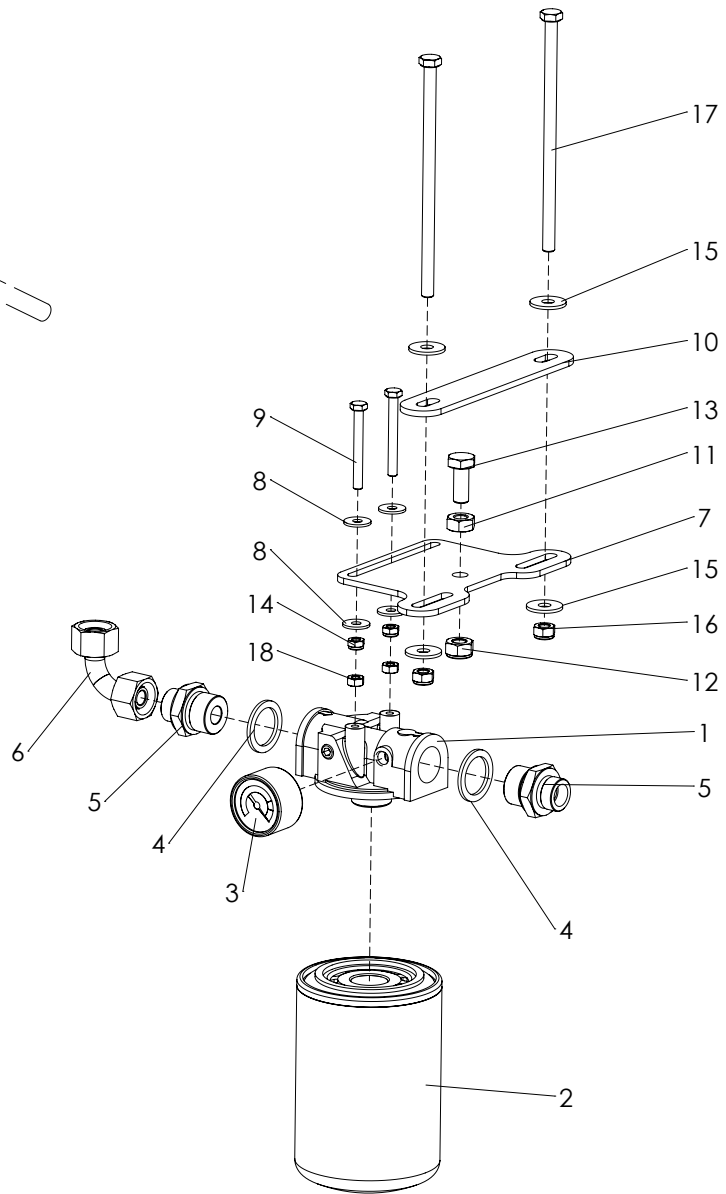
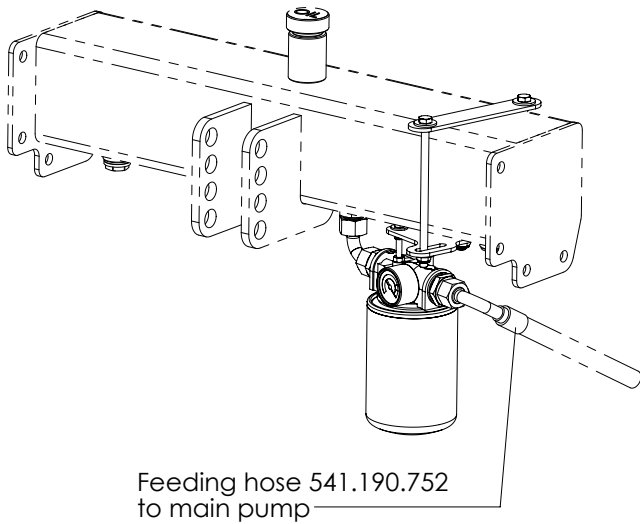
**Additional connection on electric diagram Carrier page 24**

**Engine**



ITEM	PART NUMBER	DESCRIPTION	REMARKS	QUA
1	561.952.000	Sloped aluminium enclosure		1
2	564.600.700	Siemens, Red, Rotate-To-Unlatch 60mm Round Head Emergency Button 3SU1050-1JB20-0AA0		1
3	564.600.702	Siemens SIRIUS ACT Collar for use with 3 Modules 3SU1550-0AA10-0AA0		1
4	564.600.704	Siemens SIRIUS ACT Contact Block 1NO Screw terminal 3SU1400-1AA10-1BA0		1
5	468.239.120	Plate		1
6	864.060.031	Large washer M6 - DIN 9021		4
7	866.060.020	Spring Washer M6 - DIN 127		4
8	804.060.300	Bolt M6 x 30 - ISO 4017		2
9	804.060.400	Bolt M6 x 40 - ISO 4017		2
10	830.060.060	Self Lock Nut M6 - ISO 10511		4
11	804.060.200	Bolt M6 x 20 - ISO 4017		2
12	564.600.706	Eaton M22 Label Emergency stop		1
13	951.280.000	Safety Decall Carrier		1
14	563.153.202	Safety button cable assembly		1
15	568.208.200	Splice connector blue 0.8-2.0mm		1
	251.137.002	Safety button kit	Items 1-15 complete	

Placement on Carrier machine



ITEM	PartNo	DESCRIPTION	REMARKS	QUA
1	533.950.570	Filter manifold		1
2	533.961.470	Filter		1
3	536.400.400	Indicator		1
4	874.260.020	Copper washer 3/4"		2
5	544.460.300	Nipple BSP 3_4"x pipe 15 (M22)		2
6	544.213.150	Nipple 90 deg 2x M22 15 L		1
7	468.041.703	Plate suspension		1
8	864.060.031	Large washer M6 - DIN 9021		4
9	804.060.550	ISO 4017 - M6 x 55-C		2
10	464.041.700	Strip clamp		1
11	826.100.100	Nut M10 - DIN 934		1
12	830.100.100	Self Lock Nut M10 - ISO 10511		1
13	804.100.250	Bolt M10 x 25 - ISO 4017		1
14	830.060.060	Self Lock Nut M6 - ISO 10511		2
15	864.080.024	Large washer M8 - DIN 9021		4
16	830.080.080	Self Lock Nut M8 - ISO 10511		2
17	802.081.600	Bolt M8 x 160 - ISO 4014		2
18	826.060.060	Nut M6 - DIN 934		2
	251.137.004	Suction filter assy	Items 1-18	