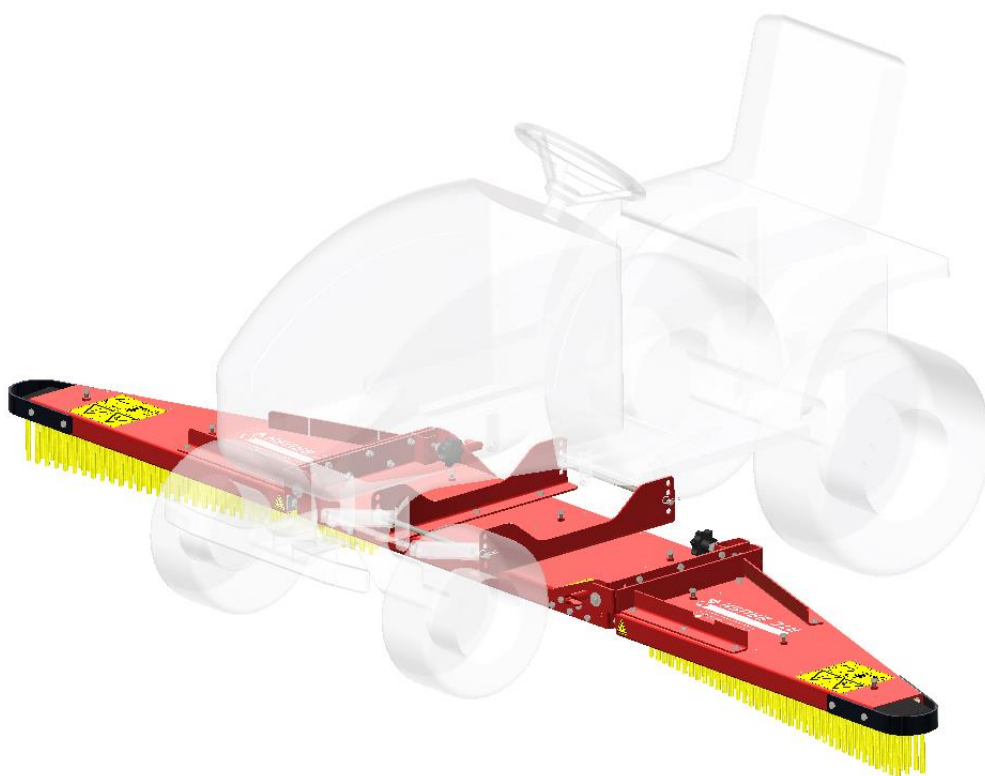
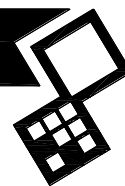


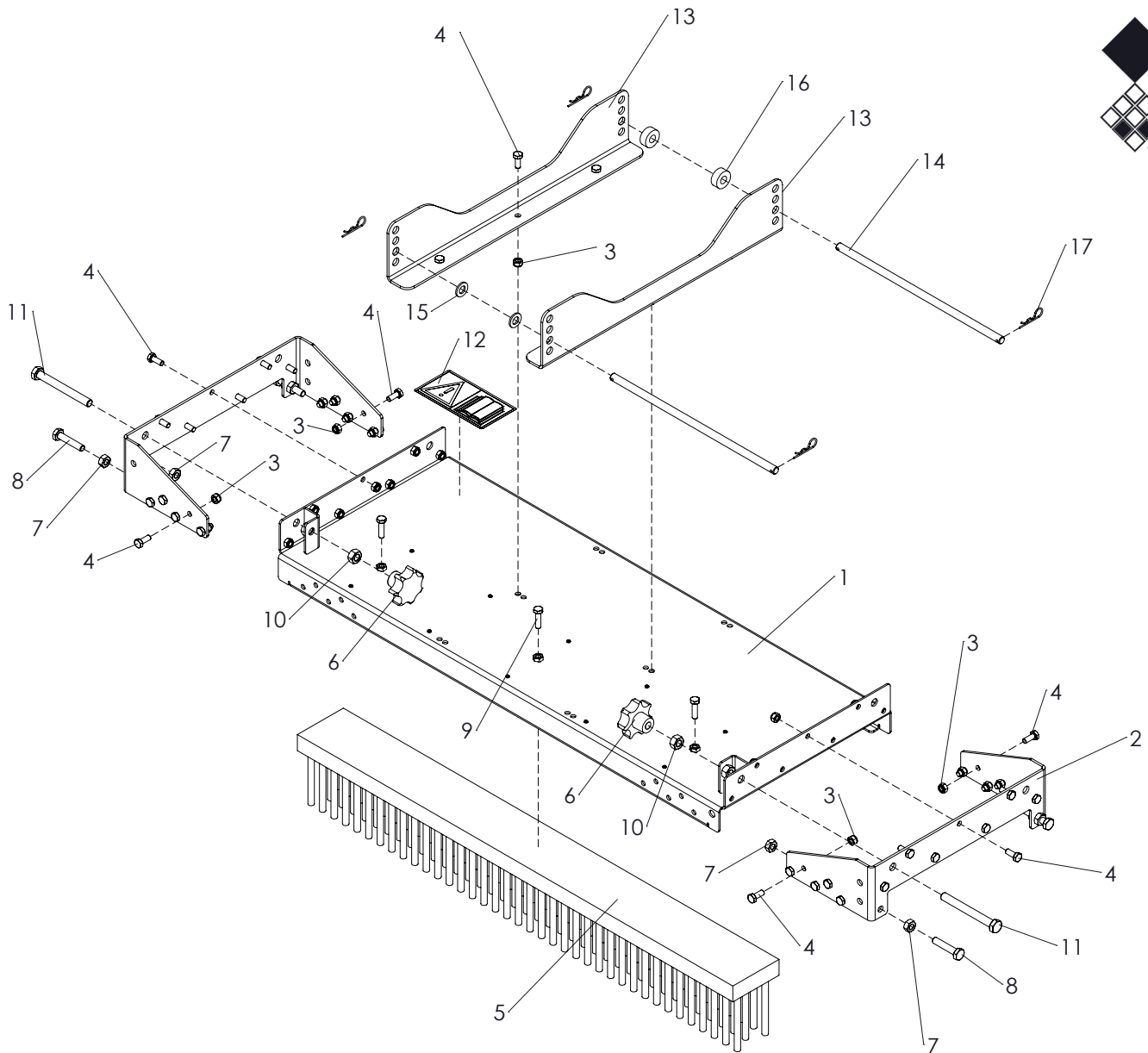
## ***RTC BRUSH***



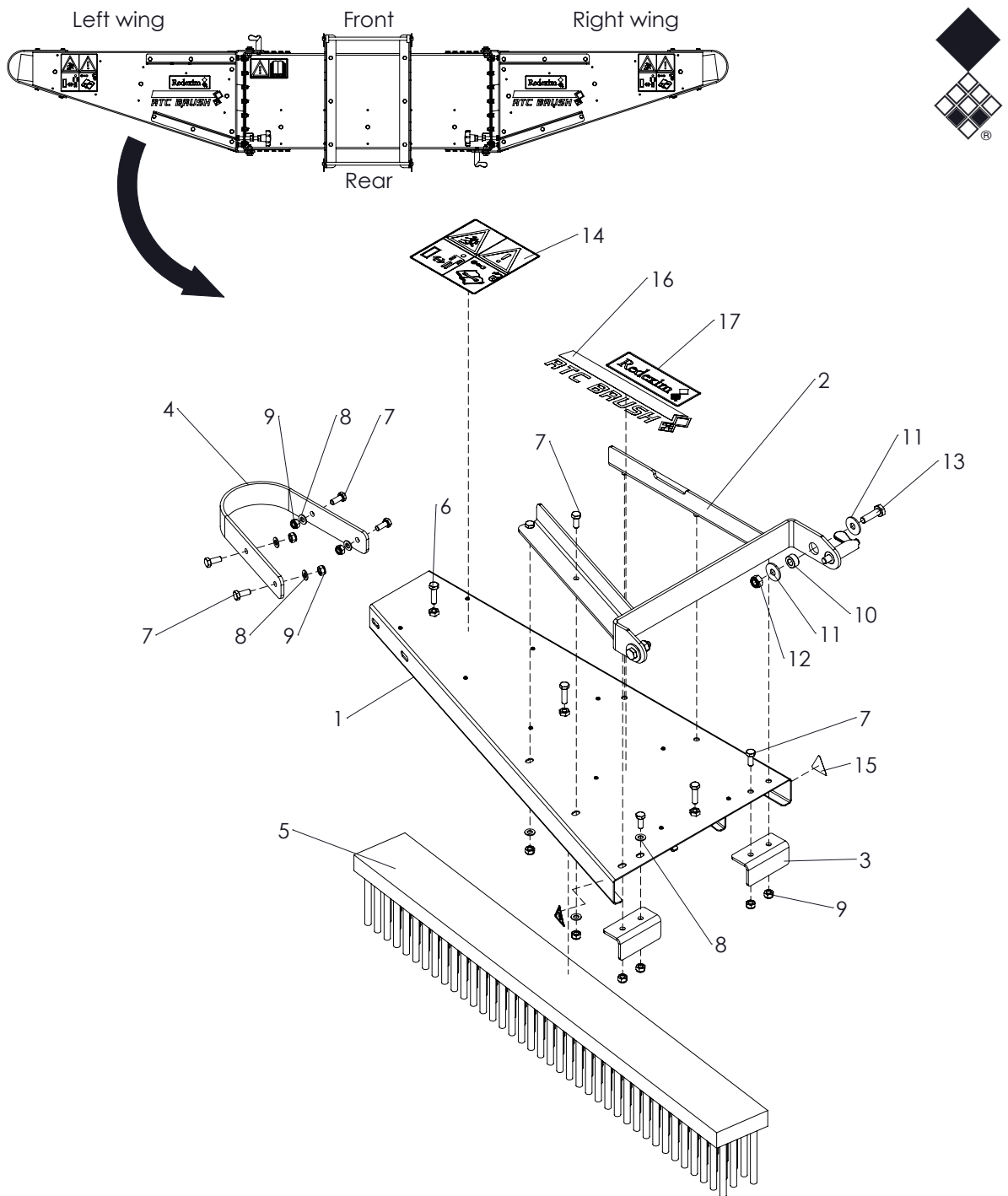
Version: 2204



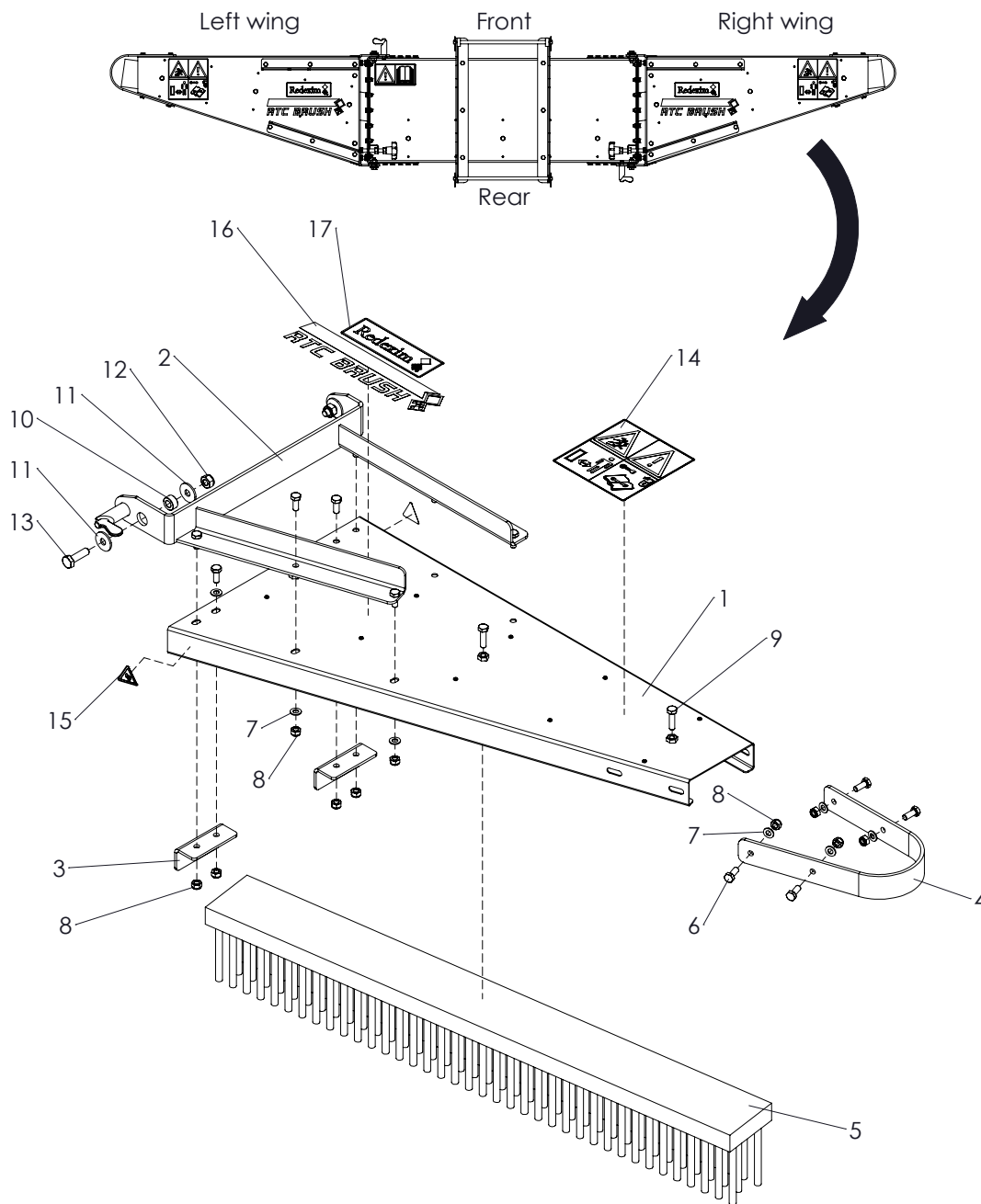
Kwekerijweg 8 | 3709JA | Zeist | The Netherlands |  
T: +31 (0)306 933 227  
E: [redexim@redexim.com](mailto:redexim@redexim.com)  
W: [www.redexim.com](http://www.redexim.com)



ITEM	PART NUMBER	DESCRIPTION	REMARKS	QUA
1	470.038.682	Center brush frame		1
2	470.043.820	Sides base brush		2
3	830.080.080	Self Lock Nut M8 - ISO 10511		40
4	804.080.200	Bolt M8 x 20 - ISO 4017		40
5	486.100.870	Brush WL=105 L=945		1
6	836.120.400	Knurled knob M12x25		2
7	826.100.100	Nut M10 - DIN 934		8
8	804.100.500	Bolt M10 x 50 - ISO 4017		4
9	804.080.300	Bolt M8 x 30 - ISO 4017		3
10	826.120.120	Nut M12 - DIN 934		2
11	804.120.110	Bolt M12 x 110 - ISO 4017		2
12	900.280.402	Safety decall manual		1
13	468.045.200	Connection plate		2
14	414.123.550	Shaft Ø12 WL=345		2
15	864.120.030	Washer M12 - ISO 7089		2
16	406.130.120	Distance bush Ø30/Ø13 L=12		2
17	523.020.570	R-Clip D=2		4



ITEM	PART NUMBER	DESCRIPTION	REMARKS	QUA
1	470.028.002	Left brush wing		1
2	470.054.602	Left wing hinge		1
3	468.040.900	Block profile		2
4	464.052.370	Corner protector		1
5	486.100.870	Brush WL=105 L=945		1
6	804.080.300	Bolt M8 x 30 - ISO 4017		3
7	804.080.200	Bolt M8 x 20 - ISO 4017		12
8	864.080.030	Washer M8 - ISO 7089		7
9	830.080.080	Self Lock Nut M8 - ISO 10511		12
10	402.110.100	Pivot bush Ø20/Ø10.5 L=10		2
11	864.100.031	Large washer M10 - DIN 9021		4
12	830.100.100	Self Lock Nut M10 - ISO 10511		2
13	804.100.350	Bolt M10 x 35 - ISO 4017		2
14	933.280.402	Safety decal		1
15	900.280.408	Decal cut off fingers		2
16	946.260.280	Label RTC Brush		1
17	900.260.401	Logo Label		1



ITEM	PART NUMBER	DESCRIPTION	REMARKS	QUA
1	470.028.000	Right brush wing		1
2	470.054.600	Right wing hinge		1
3	468.040.900	Block profile		2
4	464.052.370	Corner protector		1
5	486.100.870	Brush WL=105 L=945		1
6	804.080.200	Bolt M8 x 20 - ISO 4017		12
7	864.080.030	Washer M8 - ISO 7089		7
8	830.080.080	Self Lock Nut M8 - ISO 10511		12
9	804.080.300	Bolt M8 x 30 - ISO 4017		3
10	402.110.100	Pivot bush Ø20/Ø10.5 L=10		2
11	864.100.031	Large washer M10 - DIN 9021		4
12	830.100.100	Self Lock Nut M10 - ISO 10511		2
13	804.100.350	Bolt M10 x 35 - ISO 4017		2
14	933.280.402	Safety decal		1
15	900.280.408	Decal cut off fingers		2
16	946.260.280	Label RTC Brush		1
17	900.260.401	Logo Label		2