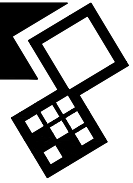
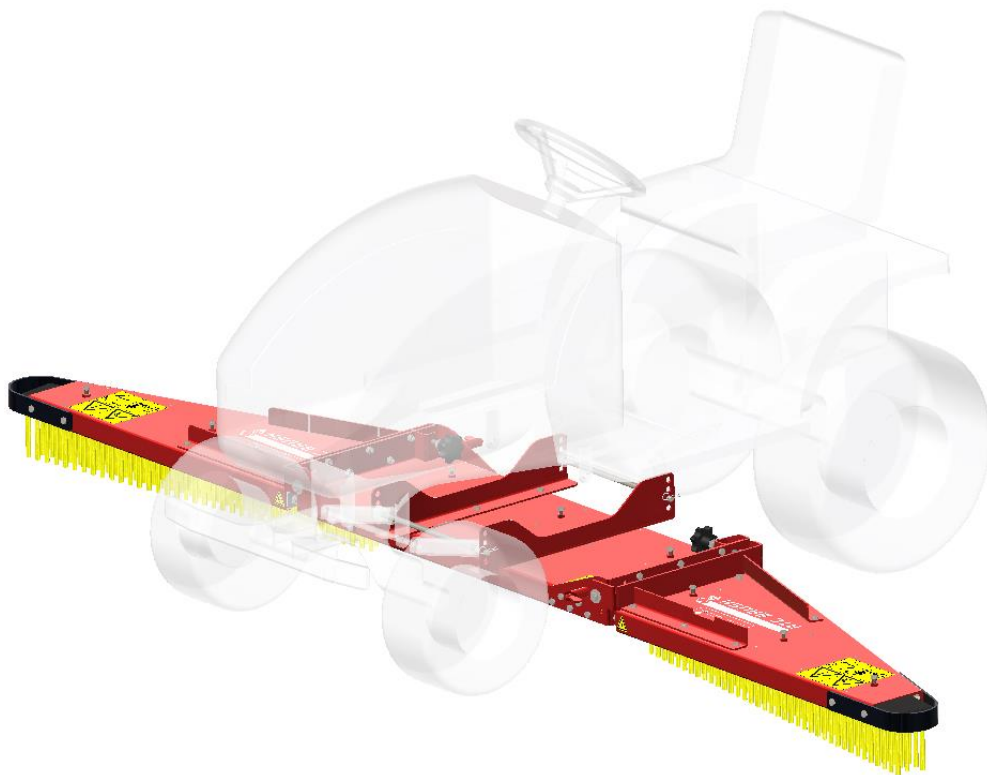


## ***RTC BRUSH***



Translation of the original user manual



2204 English 946.120.002 EN

**EU DECLARATION**



We – **Redexim BV, Kwekerijweg 8, 3709 JA Zeist, Holland** – declare entirely under our own responsibility that the product:

**RTC BRUSH**

to which this declaration refers, complies with stipulation of the 2006/42/EC machine directive and with the norms NEN-EN-ISO 12100:2010, NEN-EN-ISO 13854:2019

Zeist, 24-1-2022



**C.H.G. de Bree**  
**Redexim Holland**

## FOREWORD

Congratulations on your RTC Brush purchase. For safe and long-lasting operation of this machine, it is necessary to read and to understand this user manual. It is impossible to work safely with this machine *without* complete knowledge of the content of the user manual.

This machine does not operate independently! The machine is designed to be combined with the RTC tractor which can be obtained separately.

In addition, the user should comply with the user instructions of the vehicle and spare parts that are used.

All information and technical specifications provided at the moment that this document is published are the most recent ones. Design specifications may be changed without prior notice.

You can contact your sales point or dealer if you have questions and/or if there are ambiguities in this manual or about the machine concerned.

This document is a translation of the original user manual.  
Upon request, the original user manual is available in Dutch.

## WARRANTY CONDITIONS

AT THE TIME OF DELIVERY THIS MACHINE IS GUARANTEED AGAINST MATERIAL DEFECTS.

THIS WARRANTY IS VALID FOR A PERIOD OF 12 MONTHS FROM THE PURCHASE DATE.

REDEXIM WARRANTIES ARE SUBJECT TO THE 'GENERAL CONDITIONS FOR SUPPLY OF PLANT AND MACHINERY FOR EXPORT, NUMBER 188' THAT ARE PUBLISHED UNDER THE AUSPICES OF THE UNITED NATIONS ECONOMIC COMMISSION FOR EUROPE.

## REGISTRATION CARD

For your own information, fill in the table below:

Serial number of the machine	
Dealer name	
Date of purchase	
Remarks	

## TABLE OF CONTENTS

1.	<b>SAFETY INSTRUCTIONS</b> .....	5
	1.1. Obligations of the user.....	5
	1.2. Maintenance, repairs and adjustments .....	5
	1.3. Using the machine.....	6
2.	<b>TECHNICAL DATA</b> .....	6
3.	<b>GENERAL DESCRIPTION</b> .....	6
4.	<b>SAFETY STICKERS</b> .....	7
5.	<b>ATTACHING THE BRUSH TO THE RTC TRACTOR</b> .....	8
6.	<b>PUTTING THE BRUSH INTO OPERATION</b> .....	10
	6.1. Safety .....	10
	6.2. Working speed .....	10
	6.3. Start/Stop procedure .....	11
7.	<b>TRANSPORT</b> .....	11
8.	<b>MAINTENANCE</b> .....	12
	8.1. Maintenance schedule .....	12
	8.2. Cleaning.....	12
9.	<b>TROUBLE SHOOTING (PROBLEM ANALYSIS)</b> .....	12

## 1. SAFETY INSTRUCTIONS

This machine is designed for safe use. This can only be achieved if you completely follow the safety instructions described in this manual.

**Read and understand** the manual *before* you start using this machine.

If the machine is not used as described in this manual, this can result in injuries and/or damage to the machine.

This user manual lists instructions that are numbered in sequence. You should follow this sequence. A

 is an indication of a safety instruction. A  means a tip and/or note.

### 1.1. Obligations of the user

The machine is solely intended for work on synthetic turf fields or natural turf fields. Any other use is improper. The manufacturer will not accept any liability for damage resulting from improper use. All risks occurring with this are entirely at the expense of the user.

All persons assigned to operate, maintain and repair the **machine** by the owner must completely read and understand the operation manual and in particular the chapter of **Safety Instructions**.

Modifications to the machine that have a negative impact on the safety must be rectified immediately.

The user is obliged to check the machine for visible damage and defects before using the machine.

For safety reasons it is not permitted to make changes or adjustments to the machine (except those approved by the manufacturer). If modifications to the machine have been made, then the current CE marking is cancelled. The person that has made these modifications has to apply for a new CE marking himself.

Following the use, maintenance and repair instructions prescribed by the manufacturer is also considered proper use of this machine.

**Dress appropriately during work activities with the machine. Wear sturdy shoes with protective toecaps, long trousers and tie up long hair. Do not wear loose clothing.**

The general applicable health & safety (Dutch: ARBO) regulations must also be followed in addition to the instructions in this user manual.

Relevant traffic regulations also apply in case of using public roads.

### 1.2. Maintenance, repairs and adjustments

Keep a record of the repair activities.

When unskilled people use, maintain or repair the machine, this could result in injuries to the user *and* to third parties. This should be avoided!

Use only original Redexim parts for maintenance or repairs because of the safety of the machine *and* of the user.

Only authorised technical personnel may carry out repairs to the machine.

When carrying out maintenance, adjustments and repairs, it is necessary to block the machine in order to prevent it from sinking away, driving off and/or sliding off.

### 1.3. Using the machine

Attach the machine to the towing vehicle according to the regulations. Pay close attention to the risk of injury!

**Never** use the machine in the absence of protective guards and safety stickers.

Check the machine for loose bolts, nuts and components *before* every operation.

Check whether you have a clear field of vision – both close by and far away – *before* you start moving.

All persons that are going to operate the machine must be familiar with all the functions and control elements of the machine *before* starting any work activities.

NEVER crawl under the machine! If necessary, tip over the machine to work at the bottom side.

## 2. TECHNICAL DATA

<u>Type</u>	<u>RTC Brush</u>
Working width	2.73m (107.5")
Working depth	Up to 40mm (1.6")
Driving speed	0-9.5 km/h (0-5.9 mph)
Weight	58kg (127.8 lbs)
Capacity (Theoretical maximum)	Up to 25935 m <sup>2</sup> /hour (279162 ft <sup>2</sup> /hour)
Dimensions (length x width x height)	Unfolded: 520 x 2824 x 254 mm (20.5"x111.2"x9.9") Folded: 520 x 1250 x 254 mm (20.5"x49.2"x 9.9")

## 3. GENERAL DESCRIPTION

The RTC brush is a machine for sweeping artificial grass fields or natural grass fields. The machine cannot be used on its own but must be powered by the RTC tractor (separately sold).

## 4. SAFETY STICKERS

Safety stickers are located on both sides of the machine. These safety stickers must always be clearly visible and legible and must be replaced if they have become damaged (see Figure 1).

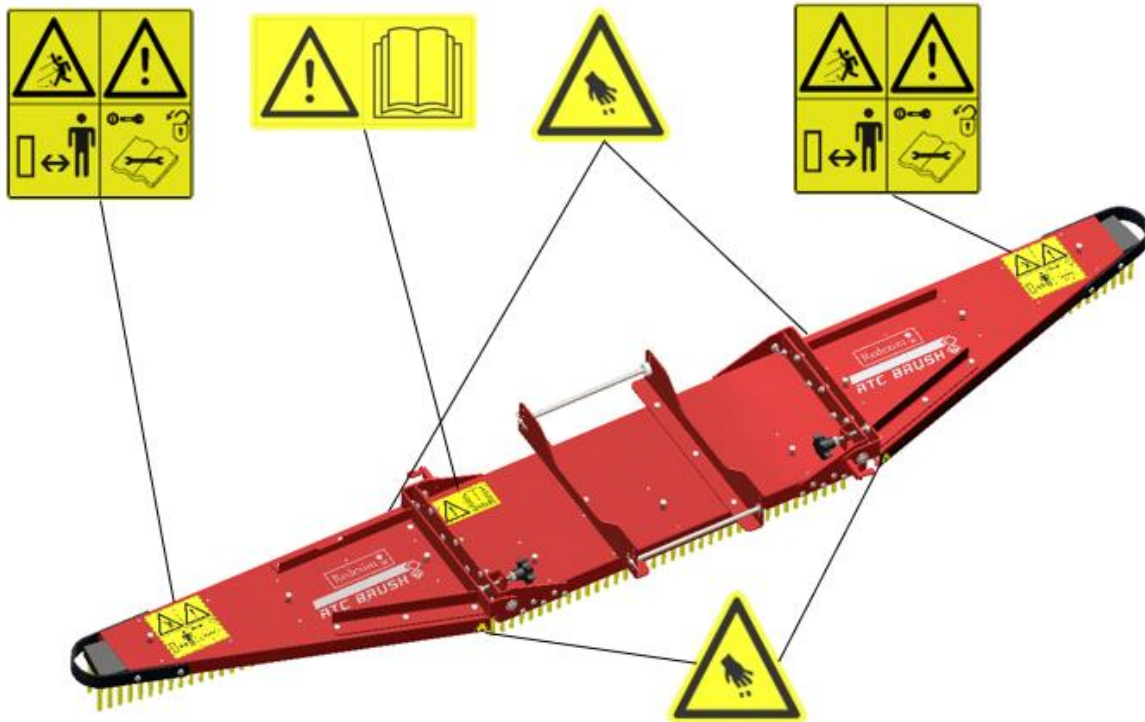





Figure 1

 <p>933.280.402</p>	<ul style="list-style-type: none"> <li>- In case of maintenance, adjustments and repair, always switch OFF the engine of the towing vehicle. Prevent the combination from driving and/or sliding away.</li> <li>- During operation, NO persons other than the operator are allowed within the danger zone of the machine, because there is danger of physical injuries caused by flying particles and been tackled by the brush wing. Keep a distance of minimum 4 metres (13.1 ft).</li> </ul>
 <p>900.280.402</p>	<ul style="list-style-type: none"> <li>- Prior to using the machine, the operators of the machine must read the user manual carefully.</li> </ul>
 <p>900.280.408</p>	<ul style="list-style-type: none"> <li>- BE CAREFUL not to get any parts of your body jammed when lowering the brush wings!</li> </ul>

## 5. ATTACHING THE BRUSH TO THE RTC TRACTOR

Attaching the RTC Brush on the RTC tractor has to be done carefully. Follow the instructions below:



Figure 2

Prior to attaching the machine, check the following points:

- Check whether the brush is undamaged and whether it is safe to attach and use.
- Check if the nuts and bolts of the brush are tightened correct.
- Check whether all safety stickers are on the machine and whether these are undamaged and easily readable. **Never** use the machine if it has damaged or unreadable stickers.

The brush should be attached to the tractor in the following manner: (see Figure 2,3 & 4)



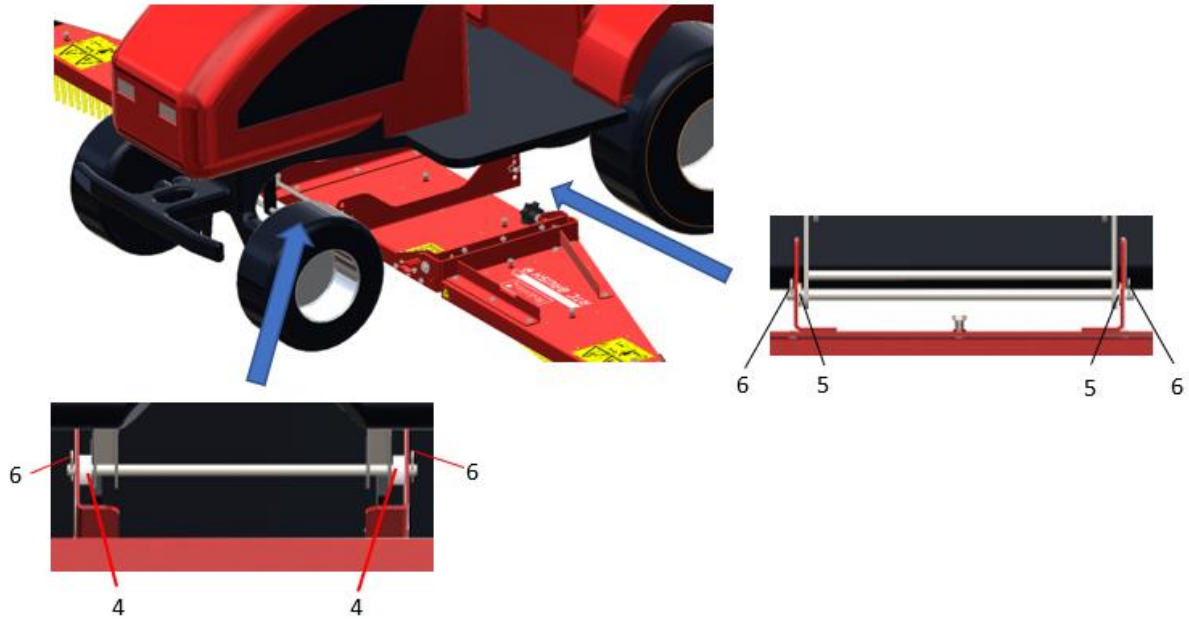
**!! Make sure that the RTC tractor is secured and cannot move while you are attaching the brush !!**



**!! Switch off the tractor engine *before* attaching the brush !!**

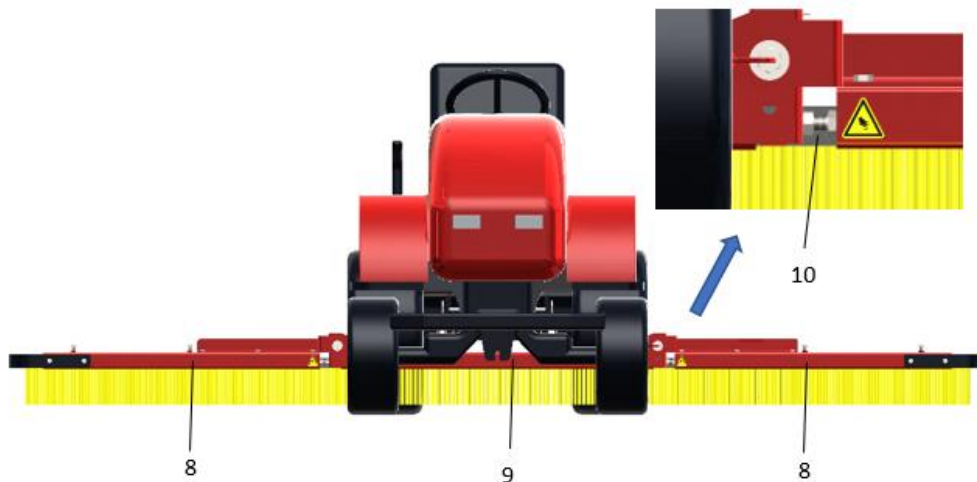
1. Remove the connecting rods **(1)** from the brush assembly.
2. Move the brush under the RTC tractor and center the brush between the lifting arms **(2)** of the RTC tractor.





**Figure 3**

3. Connect the RTC brush to the lifting arms by shifting the connecting rods **(1)** through the hole of the support frame **(3)** (2<sup>nd</sup> hole from bottom is standard).  
While shifting the connecting rods apply at the front bushes **(4)** and at the back the washers **(5)**.
4. Secure the connecting rods **(1)** with the R-clips **(6)**.
5. Take a seat on the RTC tractor and lift the RTC brush with the lifting handle **(7)** on the RTC tractor and check if the lifting of the RTC brush works well.



**Figure 4**

6. Check if the wings **(8)** are adjusted parallel / level to the center deck **(9)**.  
If necessary adjust the bolts **(10)**.

## 6. PUTTING THE BRUSH INTO OPERATION

### 6.1. Safety



Before using the machine, you should check the following:

1. Are there loose objects in the field? First remove these objects.
2. Are there slopes? The maximum slope is 20 degrees for this machine. Always go from top to bottom.
3. Is there danger of objects that distract the attention of the driver? If so, the RTC Brush **CANNOT** be used.
4. Check whether you have a clear field of vision – both close by and far away – *before* you start moving.
5. If the conditions are such that a lot of dust can develop, take personal protective measures or postpone the processing until a better moment.

### 6.2. Working speed

The maximum safe working speed of the machine is approx. 9.5 km/h (5.9 mph). However, the user should check which speed is optimal to achieve the required result per individual situation and soil treatment.

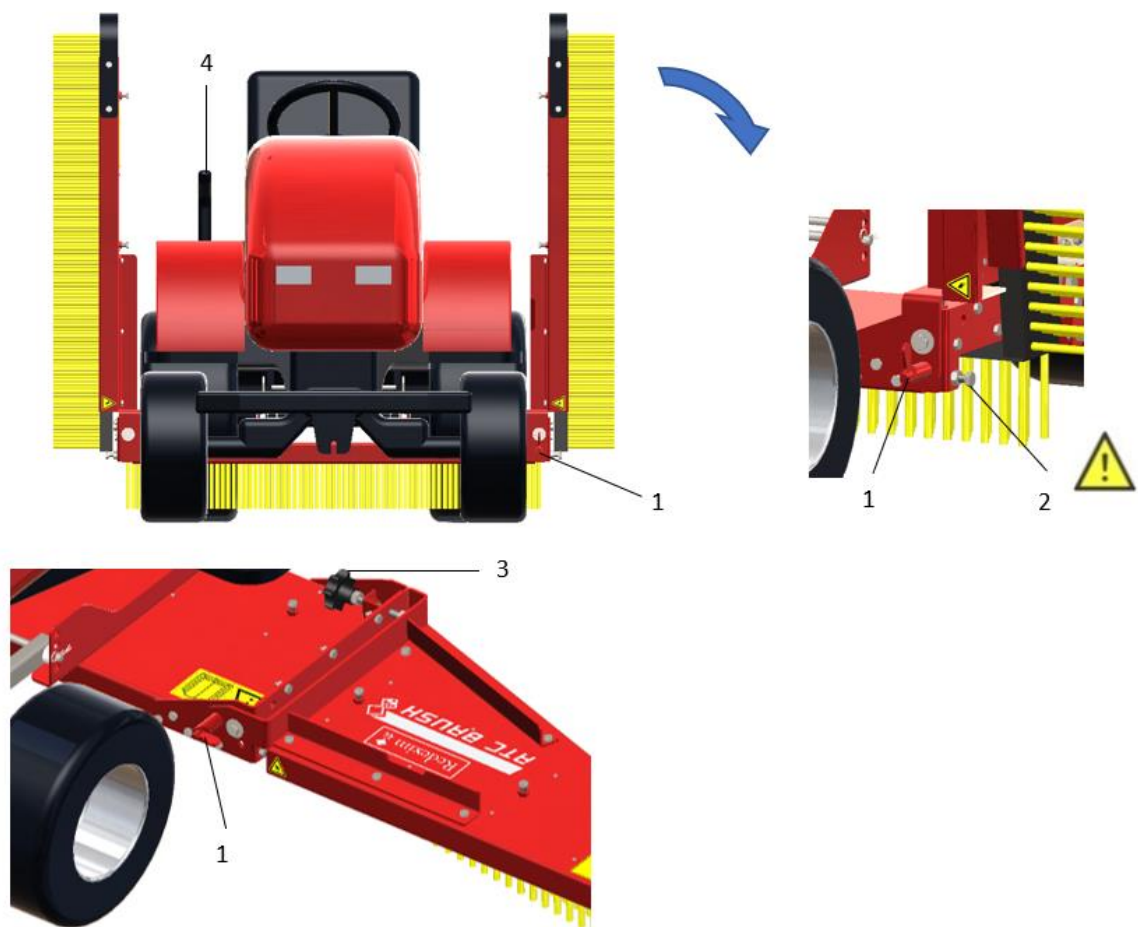



Figure 5

### 6.3. Start/Stop procedure

**The start procedure is as follows:** (see Figure 5)

1. Check the RTC Brush on technical failures and solve these before using the brush.
2. Drive to the spot where the brushing should take place.
3. Stop the RTC tractor on a stable and flat area, shut off the engine and step of the tractor.

 **Make sure that the RTC tractor is secured and cannot move while you adjusting the brush.**

4. Fold down the wing down by loosening the lock **(1)** at the pivot point and lower the wing in a controlled way.

 **Be carefull, do not place your hand near the pivot point **(2)** while lowering the wing to prevent entrapment.**

5. When lowered connect the lock **(1)** and fix the wing by turning the hand knob **(3)** against the wing to lock it.
6. Repeat steps 4 and 5 for the other wing.
7. Start the engine of the RTC tractor, start driving and lower the brush by using handle **(4)** to the required depth. Increase the speed to the desired level.

**Stopping occurs as follows:** (see Figure 5)

Decrease the speed of the RTC tractor, lift the brush by using handle **(4)** and stop the RTC tractor.

## 7. TRANSPORT

Due to safety reasons the brush should be transported with the wings flipped up and locked by the locking pin **(1)**. (see Figure 6)



Figure 6

## 8. MAINTENANCE

### 8.1. Maintenance schedule

Time schedule	Check point	Work activities
Before <b>every</b> use	Loose parts, bolts and nuts	Tighten loose bolts / nuts.
	Safety stickers	Presence and readability of the safety stickers Replace these if not present or damaged.
Once a week or more often as needed	Check the pollution of the brush	Clean the tangles in the brush. Clean the brush.

### 8.2. Cleaning

If a high-pressure cleaner is used to clean the machine, then observe the following rules:

- Do not use aggressive cleaning agents that can affect the machine.
- Maximum water pressure: 70 Bar (1015 PSI)
- Maximum water temperature: 50°C (122°F)
- Do not aim the jet of the high-pressure nozzle directly at the stickers.
- Keep a minimum distance of 0.5 m (1.6 ft) between the head of the high-pressure cleaner and the surface you want to clean.

## 9. TROUBLE SHOOTING (PROBLEM ANALYSIS)

Problem	Possible cause	Solution
Levelled too little material	Shallow working depth.	- Adjust working depth.
	Soil is heavily compacted.	- Drive more passes or use a rake to de-compact.
Sloppy image after processing	Soil is too wet.	- Wait for better conditions.
	Driving speed too high / low.	- Adjust the driving speed.
	Working depth incorrect.	- Adjust the working depth.
	Brushes are worn.	- Replace brushes.
Brush moves wildly	High driving speed.	- Lower driving speed.
	Working depth too shallow.	- Adjust the working depth.
	Wings not locked.	- Lock wings as described in chapter 6.
	Wings not parallel.	- Check the parallelism of the wings. See chapter 5.