

# COUNTAX

Britain's Best Selling Range of Garden Tractors

## C-SERIES TRACTOR 2011 Kawasaki SERVICE DRAWINGS AND PARTS LIST



### Countax Limited

Countax House  
Haseley Trading Estate  
Great Haseley  
Oxford OX44 7PF

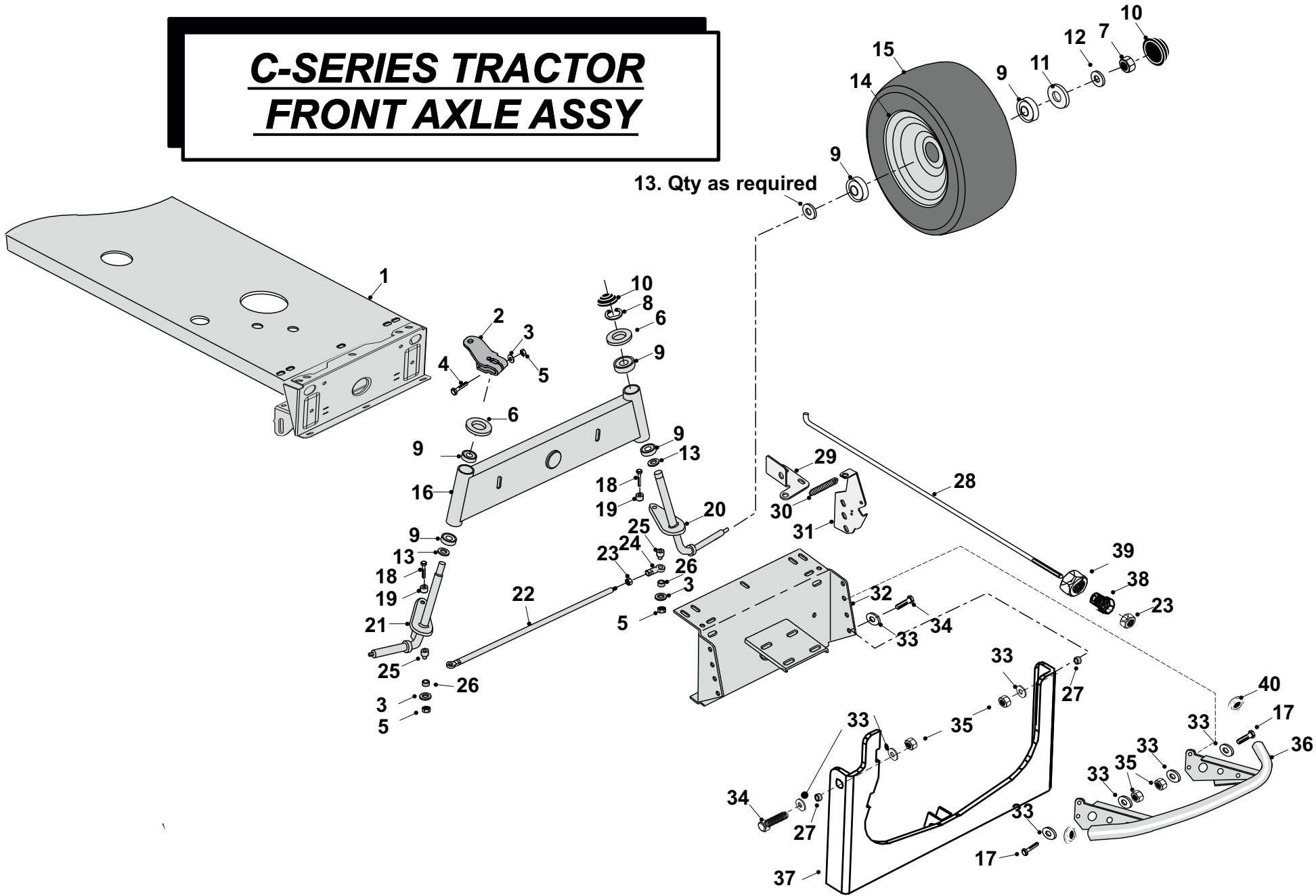
Telephone: +44 (0) 1844 278800  
Facsimile: +44 (0) 1844 278792  
EMail: [email@countax.com](mailto:email@countax.com)  
Web Site: <http://www.countax.com>

***Manufacturers of Britain's  
No.1 Range of Garden Tractors  
and Ride-on Mowers***

**COUNTAX**  
**C-SERIES TRACTOR**  
**SERVICE DRAWINGS**  
**AND PARTS LIST**  
**INDEX**

1. FRONT AXLE ASSEMBLY
2. BONNET ASSEMBLY
3. CONSOL ASSEMBLY
4. REAR BODY ASSEMBLY
- 4a. REAR BODY ASSEMBLY MANUAL
5. PTO & TRANSMISSION ASSEMBLY
6. HYDROSTATIC TRANSAXLE ASSEMBLY
7. MANUAL & DH WIRING LOOM
8. H.E. WIRING LOOM
9. DECK CRADLE ASSEMBLY
10. DECALS

# **C-SERIES TRACTOR** **FRONT AXLE ASSY**



**C-SERIES TRACTOR  
FRONT AXLE ASSEMBLY  
PARTS LIST**

|     | PART DESCRIPTION   | PART NUMBER            |
|-----|--|------------------------|
| 1.  | Chassis 04   | 327023302              |
| 2.  | Steering Arm   | 32702501               |
| 3.  | Washer M10   | 088002400              |
| 4.  | Coach Bolt M10 x 60mm zinc clear   | 018005000              |
| 5.  | Nyloc Nut M10  | 04886100               |
| 6.  | Stub Axle Spacer   | 183006200              |
| 7.  | Nyloc Nut M12  | 049381100              |
| 8.  | 19mm External Circlip  | 07921200               |
| 9.  | Front Wheel Bearing  | 10802200               |
| 10. | Hub Cap (Moulded)  | 14811800               |
| 11. | Hub Cap Washer 46mm x 13mm I.D.  | 30128100               |
| 12. | M12 Washer   | 088001200              |
| 13. | Washer 28.5 x 17mm   | 081258200              |
| 14. | Front Wheel Rim & Hub  | 32701100               |
| 15. | Front Tyre 15X6<br>Wheel Valve (Not Illustrated - Location Outer<br>Wheel Hub) | 19802800<br>14889200   |
| 16. | C-Series Front Axle Beam   | 327014700              |
| 17. | M8 x 20mm Bolt   | 02825900               |
| 18. | M10 x 100 Hex Head Bolt  | 019480300              |
| 19. | Rose Joint Boss  | 31302400               |
| 20. | Stub Axle L/H  | 327015101              |
| 21. | Stub Axle R/H  | 327015201              |
| 22. | Track Rod M10  | 31318300               |
| 23. | Locknut M10  | 04872100               |
| 24. | Rod End 10mm   | 10872600               |
| 25. | Rose Joint Shoulder Boss Long  | 31337100               |
| 26. | Rod End Spacer. 12.7 OD x 10ID x 7mm   | 183016900              |
| 27. | 7 x 5/16mm Spacer  | 31302800               |
| 28. | Deck Tension Rod   | 318963201              |
| 29. | Bonnet Hinge Bracket L/H<br>Bonnet Hinge Bracket R/H                           | 301136300<br>301136400 |
| 30. | Bonnet Spring  | 25805200               |
| 31. | Bonnet Stop L/H<br>Bonnet Stop R/H   | 301136500<br>301136600 |
| 32. | Chassis Front  | 327014600              |
| 33. | M8 Washer  | 088003700              |
| 34. | Bolt M8 x 25 mm Bolt   | 02826000               |
| 35. | M8 Nyloc Nut   | 04920100               |
| 36. | Stainless Steel Bull Bar   | 327028000              |
| 37. | Deck Tension Cradle  | 327365700              |

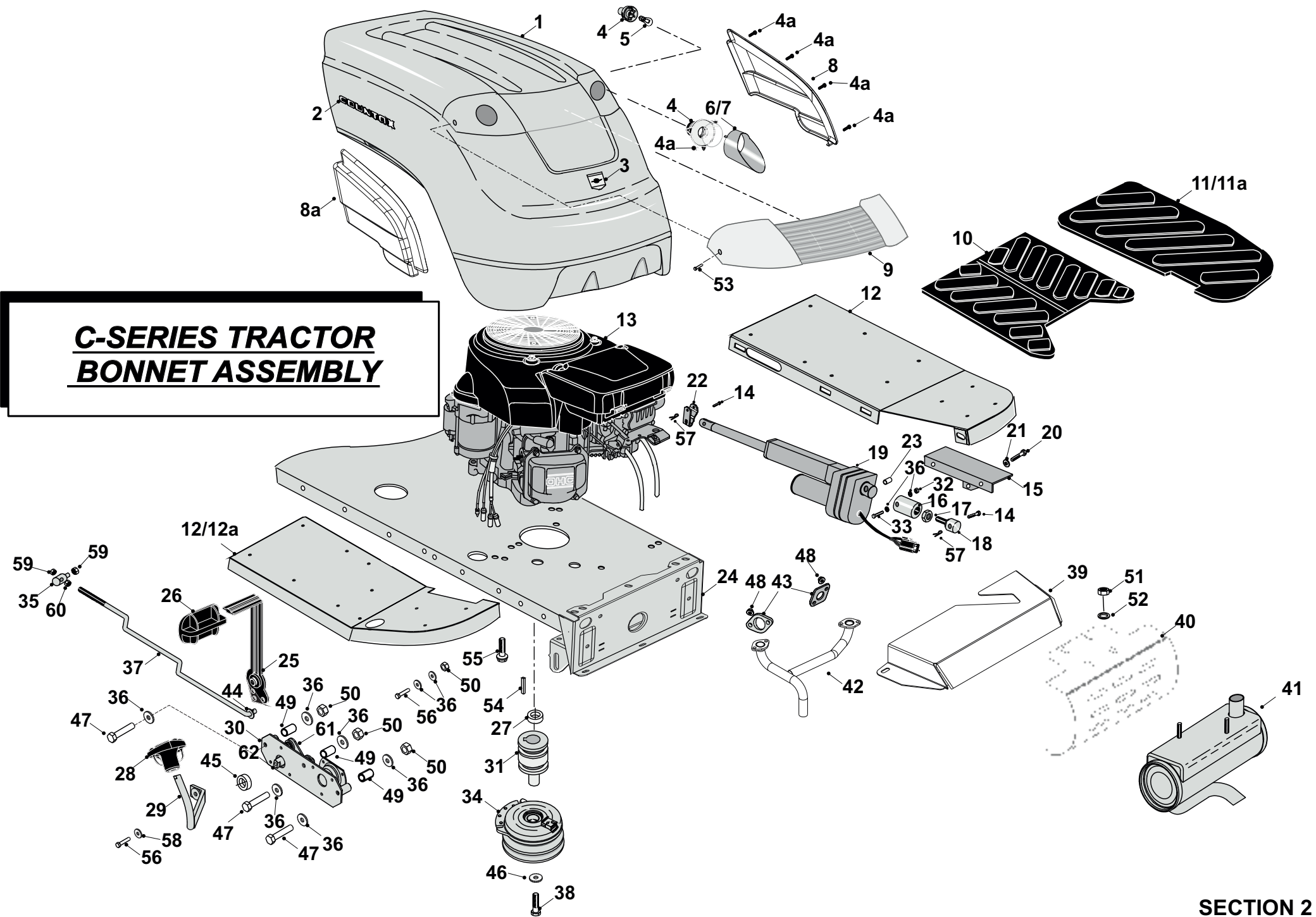
**C-SERIES TRACTOR**  
**FRONT AXLE ASSEMBLY**  
**PARTS LIST**

|     | PART DESCRIPTION          | PART NUMBER |
|-----|---------------------------|-------------|
| 38. | Deck Tension Adjuster     | 189507400   |
| 39. | M16 Lock Nut              | 049382500   |
| 40. | Bull Bar Plastic End Caps | 148014400   |

**JAN 2011**

**SECTION 1**

# C-SERIES TRACTOR BONNET ASSEMBLY



**C-SERIE TRACTOR**  
**BONNET ASSEMBLY**  
**PARTS LIST**

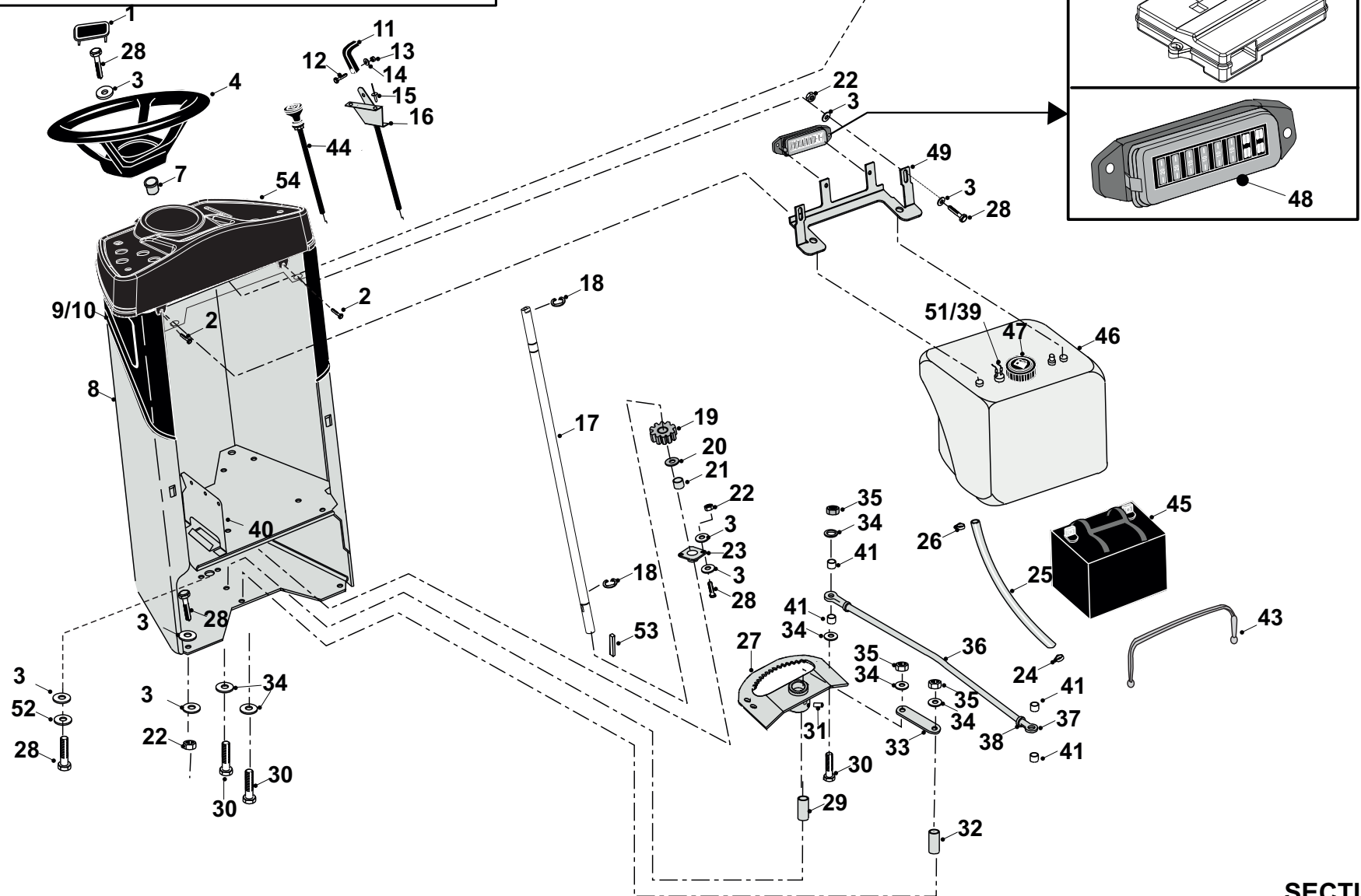
|     | PART DESCRIPTION                                      | PART NUMBER                   |
|-----|---|-------------------------------|
| 1.  | Bonnet C600<br>Bonnet C800                            | 405007300<br>405007400        |
| 2.  | Badge Countax Silver                                  | 359505800                     |
| 3.  | Countax Bonnet Badge                                  | 359513400                     |
| 4.  | Headlight Unit – Hella                                | 448008400                     |
| 4a. | Fir Tree Fastener                                     | 148014900                     |
| 5.  | Headlight Bulb 21w – Hella                            | 448008500                     |
| 6.  | Headlight Can L/H                                     | 148013500                     |
| 7.  | Headlight Can R.H                                     | 148013600                     |
| 8.  | Engine Side Panel L/H C Series 2008                   | 149550900                     |
| 8a. | Engine Side Panel R/H C Series 2008                   | 149550800                     |
| 9.  | Bonnet Headlight Lens 2002                            | 148013400                     |
| 10. | Centre Runner Mat                                     | 148006500                     |
| 11. | Running Board Mat L/H (Uplifted Running Board)        | 148010900                     |
| 11a | Running Board Mat R/H (Uplifted Running Board)        | 148010800                     |
| 12  | C Series Running Board RH                             | 327177700                     |
| 12a | C Series Running Board LH                             | 327177800                     |
| 13. | Kawasaki 16 & 18hp Engines                            | Not Available from<br>Countax |
| 14. | Actuator Pin  | 189504800                     |
| 15. | H.E. Mounting Bracket                                 | 327363500                     |
| 16. | Universal Actuator Attachment Body – Aug 03           | 183028100                     |
| 17. | Nut M12   | 049381200                     |
| 18. | Deck Lift Actuator Adjustment Screw                   | 187184900                     |
| 19. | Actuator 1200N Hiwin                                  | 449664100                     |
| 20. | M10 x 55mm Hx Head Bolt                               | 018002400                     |
| 21. | Washer 10.81 i.d. x 20.70d x 2mm Thk                  | 088002400                     |
| 22. | Universal Deck Lift Arm –Hiwin Actuator               | 307192400                     |
| 23. | Actuator Insert Pin                                   | 183023500                     |
| 24. | Chassis 06  | 327023302                     |
| 25. | Forward Pedal Rod (part of 409429500)                 | 32952200                      |
| 26. | Forward Pedal Rubber                                  | 148013700                     |
| 27. | Engine Pulley Spacer                                  | 183028300                     |
| 28. | Reverse Pedal Rubber                                  | 148013800                     |
| 29. | Cassette Reverse Pedal                                | 327361300                     |
| 30. | Transmission Cassette 2002 C Series<br>Cassette Plate | 409429500<br>301143000        |
| 31. | Magstop Engine Pulley                                 | 31330503                      |
| 32. | Full Nut Hex M8 Z/P                                   | 04822300                      |
| 33. | M8 x 40mm Bolt  | 018003200                     |
| 34. | Warner Electric Mag Stop Clutch                       | 44936100                      |
| 35. | Forward Reverse Trunnion                              | 183017300                     |
| 36. | M8 Washer   | 088003700                     |
| 37. | Cassette Forward Reverse Rod                          | 313021701                     |

**C-SERIE TRACTOR**  
**BONNET ASSEMBLY**  
**PARTS LIST**

|     | PART DESCRIPTION                              | PART NUMBER       |
|-----|---|-------------------|
| 38. | Bolt 7/16" UNF x 4.5 UNF                      | 019481700         |
| 39. | Kawasaki 16,18 & 25HP Heat Shield             | 541065500         |
| 40. | Exhaust Box Cover                             | 307199700         |
| 41. | 2005 Exhaust R/H Outlet                       | 328956301         |
| 42. | Kawasaki 16 & 18HP Exhaust Welded             | 327886400         |
| 43. | Exhaust Gasket                                | Supplied by Honda |
| 44. | 9 ID x 22 OD x 2mm Washer                     | 088845300         |
| 45  | Reverse Pedal Cassette Spacer                 | 18301100          |
| 46  | Engine Pulley Cap                             | 18312200          |
| 47  | Bolt M8x 55mm                                 | 028662600         |
| 48  | Exhaust Flanged Fixing Nuts                   | Supplied by Honda |
| 49  | 2002 Cassette Chassis Spacer                  | 187185600         |
| 50  | M8 Nyloc Nut                                  | 04920100          |
| 51  | M8 Philadas Self Locking Nut Zinc Plated      | 048001700         |
| 52  | Washer M8 x 25 x 3 unplated                   | 089418600         |
| 53  | M4 x 16mm Socket Head Countersunk Screw       | 018005100         |
| 54  | Engine Key 1/4" Square x 1.1/4"               | 09853401          |
| 55  | Engine Bolt 3/8" x 1.1/4" BZP                 | 01848700          |
| 56  | Bolt M8 x20mm                                 | 02825900          |
| 57  | 3/32 x 1/2" Split Pin                         | 06861500          |
| 58  | M8 Star lock washer                           | 088003800         |
| 59  | Nyloc Nut M10                                 | 04886100          |
| 60  | Locknut M10                                   | 04872100          |
| 61  | Pedal Cassette Link Plate (part of 409429500) | 307194300         |
| 62  | Reverse Pedal Spindle (part of 409429500)     | 327361100         |



# C-SERIES TRACTOR CONSOL ASSY



**C-SERIES TRACTOR**  
**CONSOL ASSEMBLY**  
**PARTS LIST**

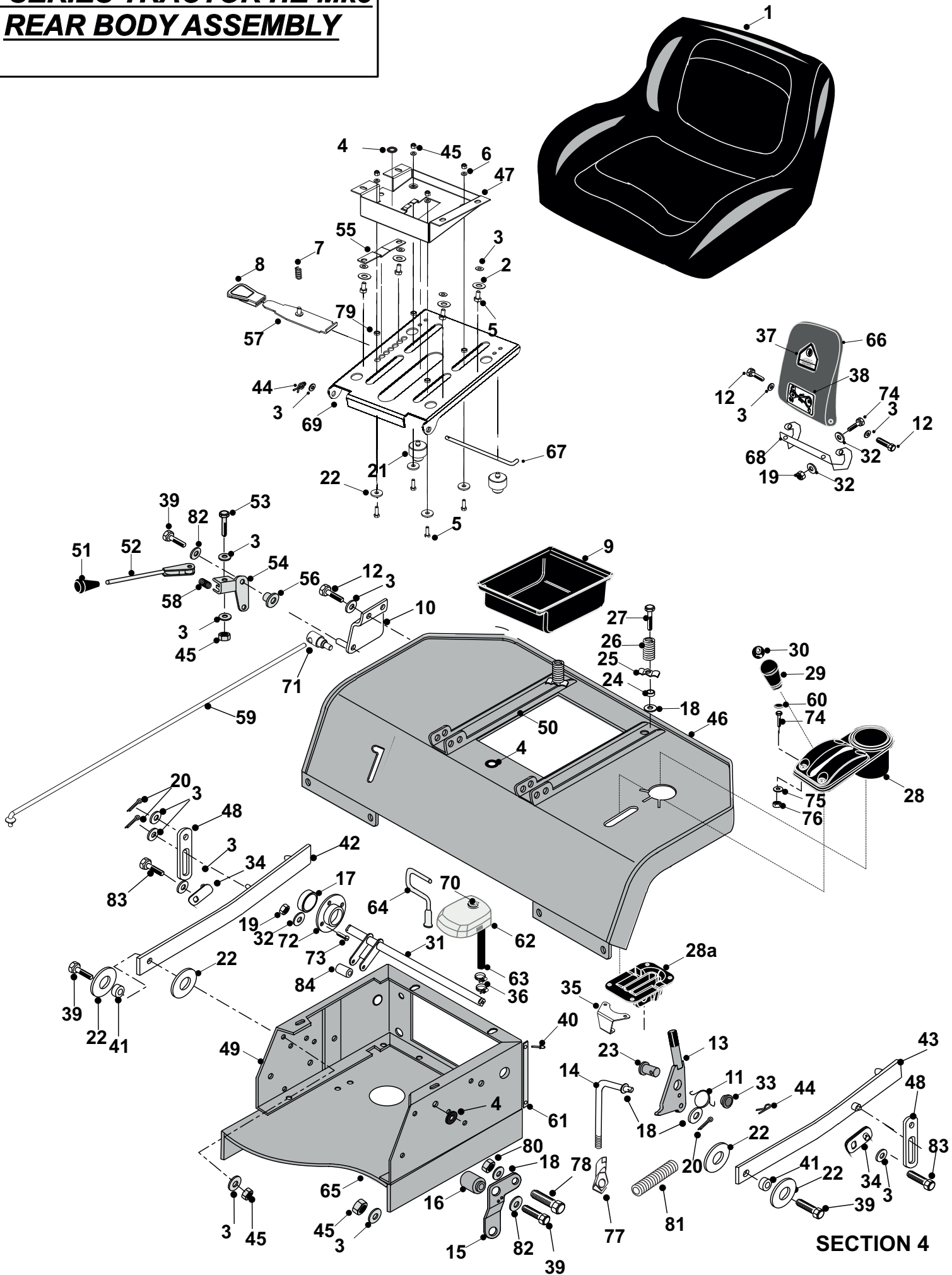
|     | PART DESCRIPTION                         | PART NUMBER |
|-----|--|-------------|
| 1.  | Steering Wheel Cap                       | 14938700    |
| 2.  | M5 x 16mm Pozi pan screw                 | 019479500   |
| 3.  | M8 Washer                                | 088003700   |
| 4.  | Steering Wheel                           | 14928200    |
| 5.  | M4 washer                                | 08952500    |
| 6.  | 8 x 5/8" Pozi pan Steel Hilo Screw       | 029427000   |
| 7.  | Column Upper Bush                        | 14801800    |
| 8.  | C Series Consol                          | 327807101   |
| 9.  | Rubber Knee Pad R/H                      | 148986300   |
| 10. | Rubber Knee Pad L/H                      | 148986200   |
| 11. | Control Knob                             | 14810400    |
| 12. | Set Screw M4 x 12mm Pozi Pan Zinc Plated | 02826300    |
| 13. | Nut M4 Nyloc T                           | 04826400    |
| 14. | M4 Form A Washer BZP                     | 08826200    |
| 15. | Rivet 4.8mm x 10mm                       | 12824400    |
| 16. | Throttle Cable C600 & C800 Kawasaki      | 528004600   |
| 17. | Steering Column – C Series               | 31328401    |
| 18. | Circlip 5/8"                             | 07823800    |
| 19. | Steering Gear                            | 213112100   |
| 20. | Washer 5/8" T3 LP                        | 08822700    |
| 21. | Steering Rod Spacer                      | 18401500    |
| 22. | M8 Nyloc Nut                             | 04850600    |
| 23. | Column Lower Bearing                     | 10801700    |
| 24. | Spring Type Hose Clip                    | 11867100    |
| 25. | Fuel Feed Pipe 40cm                      | 14803200    |
| 26. | Jubilee Clip (Fuel Tank Hose)            | 11856900    |
| 27. | Steering Quadrant 17 tooth               | 327015700   |
| 28. | Bolt M8 x20mm                            | 02825900    |
| 29. | Steering Quadrant Pivot                  | 31337400    |
| 30. | M10 x 65mm Hex Head Bolt BZP             | 018005300   |
| 31. | Grease Nipple 5/16"                      | 11808600    |
| 32. | Steering Support Boss                    | 31337500    |
| 33. | Steering Link Plate                      | 27102400    |
| 34. | Washer 10.81 i.d. x 20.70 d x 2mm Thk    | 088002400   |
| 35. | M10 Nyloc Nut                            | 04886100    |
| 36. | Tractor Steering Link Rod                | 313007800   |
| 37. | Rod End 10mm                             | 10872600    |

**C-SERIES TRACTOR**  
**CONSOL ASSEMBLY**  
**PARTS LIST**

|     | PART DESCRIPTION                       | PART NUMBER              |
|-----|--|--------------------------|
| 38. | M10 Locknut                            | 04872100                 |
| 39. | Fuel Level Sensor Seal Kit             | 149510900                |
| 40. | Relay Mounting Plate                   | 301139801                |
| 41. | Steering Track Rod End Spacer          | 183016900                |
| 42  | 2 Part PCB Board Case                  | 149552000                |
| 43. | Battery Strap                          | 149499500                |
| 44. | C600H Choke Cable<br>C800H Choke Cable | 529469800<br>RCL29005800 |
| 45  | Battery 12v 3AH (Gel)                  | 458141200                |
| 46  | Fuel Tank (with hole for gauge)        | 148015400                |
| 47  | Fuel Tank Cap                          | 52803100                 |
| 48  | 2002 Fuse Box Holder                   | 301139400                |
| 49  | Fuel Tank & Fuse Holder Bracket        | 307187400                |
| 50  | Main PCB Current                       | 448017005                |
| 51  | Fuel Level Sensor                      | 449665300                |
| 52  | M8 Starlock washer                     | 088003800                |
| 53  | Key                                    | 09823900                 |
| 54  | Dashboard Consol Top                   | 148986100                |

# C-SERIES TRACTOR HE Mk3

## REAR BODY ASSEMBLY



**C-SERIES TRACTOR REAR BODY ASSEMBLY PARTS LIST**

|     | PART DESCRIPTION                        | PART NUMBER |
|-----|---|-------------|
| 1.  | Seat                                    | 14947200    |
| 2.  | Shakeproof Washer                       | 088003800   |
| 3.  | M8 x 20mm Washer                        | 088003700   |
| 4.  | 16mm Grommet                            | 52849700    |
| 5.  | M8 x 16mm Bolt                          | 028001000   |
| 6.  | M8 x 13mm Washer                        | 089422300   |
| 7.  | Seat Mechanism Spring                   | 25831100    |
| 8.  | Seat Mechanism Handle                   | 149551800   |
| 9.  | Tool Tray                               | 14848500    |
| 10. | PTO Engage Bridge                       | 32722503    |
| 11. | Spring Handbrake Block Torsion 1.75 Dia | 258000600   |
| 12. | Bolt M8 x 20mm                          | 02825900    |
| 13. | Handbrake Handle                        | 321124301   |
| 14. | Handbrake Link Rod                      | 318961703   |
| 15. | Handbrake Chassis Joggle Plate          | 301137800   |
| 16. | Handbrake Chassis Joggle Plate Boss     | 183027400   |
| 17. | Bearing                                 | 10811600    |
| 18. | Washer 10.81i.d. 20.70 o.d. x 2mm Thk   | 088002400   |
| 19. | M5 Nyloc Nut                            | 04885900    |
| 20. | Split Pin 1/2" x 1/8"                   | 06855200    |
| 21. | Rubber Seat Spring retainer             | 149551900   |
| 22. | M8 x40 x3mm Heavy Gauge Washer          | 08925400    |
| 23. | Deck Lift Pin 1/2 x 1 3/8"              | 31336800    |
| 24. | Spacer (Seat Spring)                    | 31330800    |
| 25. | Spring Retaining Washer (seat)          | 27835400    |
| 26. | Adjustable Seat Spring                  | 25845600    |
| 27. | M10 x 40 Socket Cap Screw Zinc Plated   | 028003400   |
| 28. | Handbrake Cup Holder                    | 148013900   |
| 28a | Handbrake Lever Housing                 | 148014000   |
| 29. | C-Series Handbrake Handle Knob          | 187185300   |
| 30. | Handbrake Handle Badge 2002             | 359505100   |
| 31. | Cross Shaft Deck Lift                   | 327009400   |
| 32. | M5 Washer                               | 088002800   |
| 33. | Handbrake Nylon Bush                    | 149498000   |
| 34. | Sweeper Lift Cross Bar Conn Plate       | 327016100   |
| 35. | Park Brake Switch Bracket               | 301151300   |
| 36. | Jubilee Clip                            | 11861500    |
| 37. | PTO `Danger` Decal                      | 35809500    |
| 38. | Decal PTO Flap                          | 35891200    |
| 39. | Bolt M8 x 45mm (Vac)                    | 02941000    |

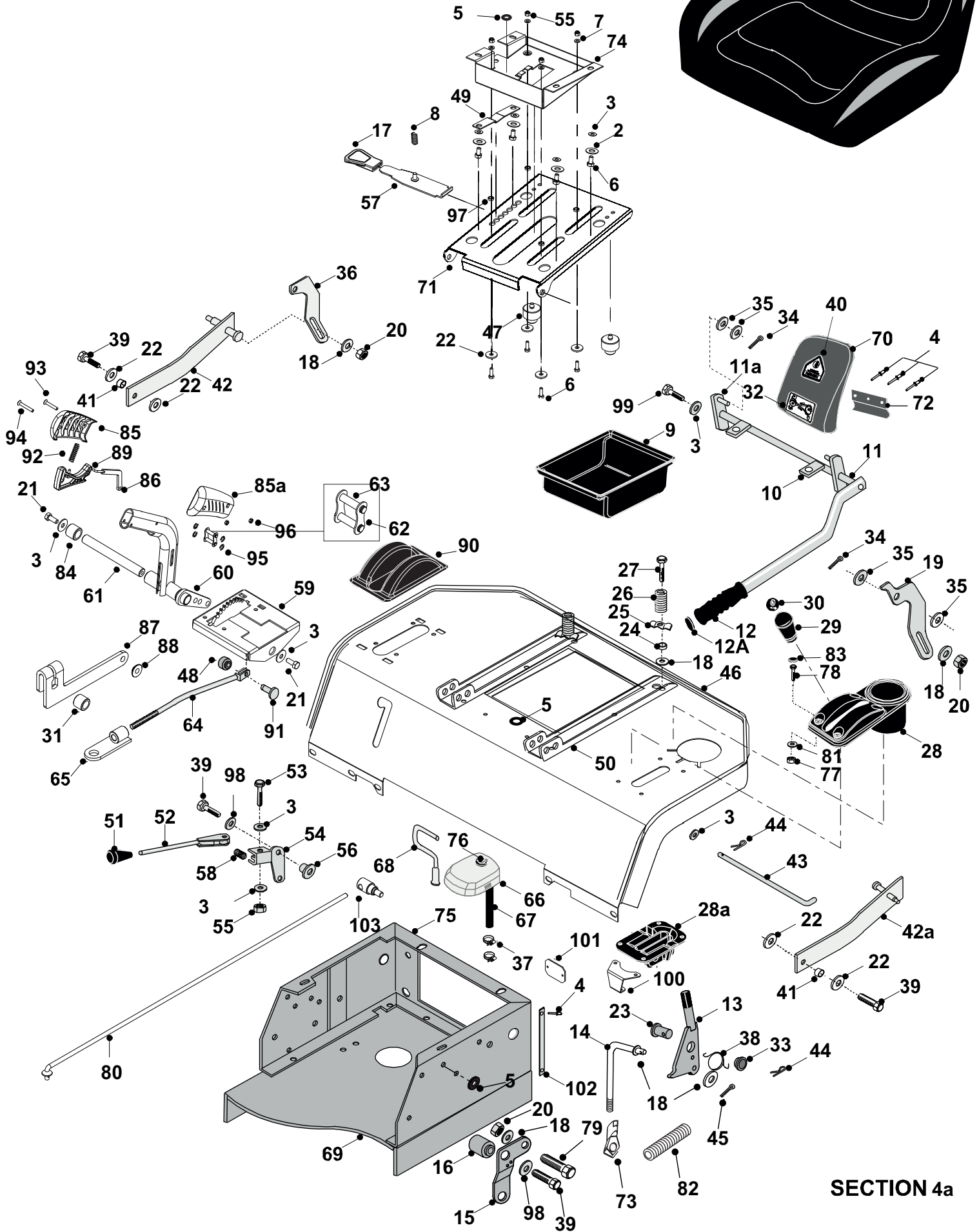
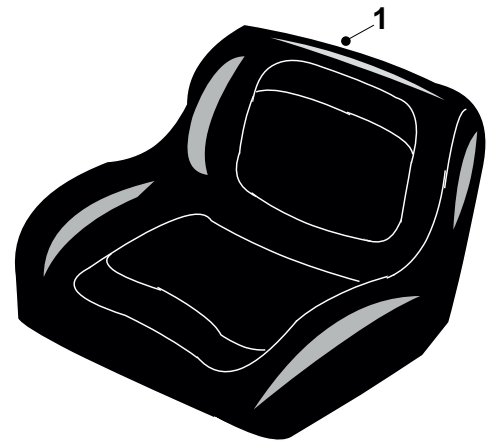
**JAN 2011****SECTION 4**

**C-SERIES TRACTOR REAR BODY ASSEMBLY PARTS LIST**

|     | PART DESCRIPTION             | PART NUMBER                   |
|-----|------------------------------|-------------------------------|
| 40. | 4.8 x 10mm pop rivet         | 12824400                      |
| 41. | Spacer 9 x 8.3mm I.D.        | 31302700                      |
| 42. | HE Sweeper Lift Arm R/H      | 32720300                      |
| 43. | HE Sweeper Lift Arm L/H      | 32721100                      |
| 44. | R-Clip 2mm                   | 06849100                      |
| 45. | M8 Nyloc Nut                 | 04920100                      |
| 46. | Rear Body Panel HE           | 327028500                     |
| 47. | Seat Base Plate              | 301985401                     |
| 48. | HE Sweeper Lift Plate        | 30133500                      |
| 49. | Rear Seat Box                | 303071200                     |
| 50. | Seat Attachment Channel      | 301985800                     |
| 51. | Lever Knob                   | 14804800                      |
| 52. | PTO Engage Lever             | 32708702                      |
| 53. | M8 x 40mm Hx Hd Bolt         | 018003200                     |
| 54. | PTO Level Plate – H.E. only  | 30134500                      |
| 55. | Seat Spring Retainer Plate   | 301985700                     |
| 56. | Joggle Plate Boss            | 183027400                     |
| 57. | Seat Release Mechanism Lever | 325000601                     |
| 58. | Spring                       | 25831100                      |
| 59. | C Series PTO Tension Rod     | 318963201                     |
| 60. | M6 Socket Screw Cap          | 148014300                     |
| 61. | Stainless Steel Wear Strip   | 301140300                     |
| 62. | K46 Oil Tank                 | 148014600                     |
| 63. | Reservoir Hose               | 148014800                     |
| 64. | Sweeper Belt Guide Pin       | 327012700                     |
| 65. | Chassis 04                   | 327023302                     |
| 66. | PTO Flap Shell (H.E.)        | 149496300                     |
| 67. | Seat Pivot Rod               | 31301800                      |
| 68. | PTO Flap Hinge               | 302005200                     |
| 69. | Seat Running plate           | 301985503                     |
| 70. | Vent Valve Breather          | Tuff Torq Pt.No<br>1948592452 |
| 71. | PTO Engage Trunnion          | 18318000                      |
| 72. | Bearing Housing 17mm         | 27106600                      |
| 73. | Screw M5 x 16mm              | 019479500                     |
| 74. | Screw M6 x 20mm              | 018000300                     |
| 75. | Washer M6                    | 089422200                     |
| 76. | Nut Nyloc M6                 | 04920500                      |
| 77. | Rose Joint M10 Rod           | 10872600                      |
| 78. | M10 x 30 Bolt                | 02886000                      |
| 79. | Seat Running Plate Spacer    | 183856700                     |
| 80. | M10 Nut                      | 04886100                      |
| 81. | 42" Deck Spring              | 25906200                      |
| 82. | M8 x3mm thick washer         | 08819800                      |
| 83. | M8 x 25mm Bolt               | 02826000                      |
| 84. | Actuator Insert Pin          | 183023500                     |

# C-SERIES TRACTOR MANUAL

## REAR BODY ASSEMBLY



**C-SERIES TRACTOR**  
**REAR BODY ASSEMBLY**  
**PARTS LIST**

|     | PART DESCRIPTION                        | PART NUMBER |
|-----|---|-------------|
| 1.  | Seat                                    | 14947200    |
| 2.  | Shakeproof Washer                       | 088003700   |
| 3.  | M8 x 20mm Washer                        | 088003800   |
| 4.  | Rivet 5mm x 10mm                        | 12824400    |
| 5.  | 16mm Grommet                            | 52849700    |
| 6.  | M8 x 16mm Bolt                          | 028001000   |
| 7.  | M8 x 13mm Washer                        | 089422300   |
| 8.  | Seat Attachment Spring                  | 25831100    |
| 9.  | Tool Tray                               | 14848500    |
| 10. | PTO Hanging Plate                       | 32733300    |
| 11. | Sweeper Lift Lever                      | 32733201    |
| 11a | PTO Pivot End Assembly                  | 32704800    |
| 12. | Soft Handle Grip                        | 38936500    |
| 12a | Bag Tipping Handle Plug                 | 14880500    |
| 13. | Handbrake Handle                        | 321124301   |
| 14. | Handbrake Link Rod                      | 318961703   |
| 15. | Handbrake Chassis Joggle Plate          | 301137800   |
| 16. | Handbrake Chassis Joggle Plate Boss     | 183027400   |
| 17. | Seat Mechanism Handle                   | 149551800   |
| 18. | Washer 10.81i.d. 20.70 o.d. x 2mm Thk   | 088002400   |
| 19. | L/H Sweeper Lift Hook                   | 307177100   |
| 20. | M10 Nyloc Nut                           | 04886100    |
| 21. | Bolt M8 x 20mm                          | 02825900    |
| 22. | M8 x40 x3mm Heavy Gauge Washer          | 08925400    |
| 23. | Deck Lift Pin 1/2 x 1 3/8"              | 31336800    |
| 24. | Spacer (Seat Spring)                    | 31330800    |
| 25. | Spring Retaining Washer (seat)          | 27835400    |
| 26. | Adjustable Seat Spring                  | 25845600    |
| 27. | M10 x 40 Socket Cap Screw Zinc Plated   | 028003400   |
| 28. | Handbrake Cup Holder                    | 148013900   |
| 28a | Handbrake Lever Housing                 | 148014000   |
| 29. | C-Series Handbrake Handle Knob          | 187185300   |
| 30. | Handbrake Handle Badge 2002             | 359505100   |
| 31. | Sweeper Lift Bar Spacer H.E.            | 31323500    |
| 32. | Decal PTO Flap                          | 35891200    |
| 33. | Handbrake Nylon Bush                    | 149498000   |
| 34. | Long Split Pin                          | 06823300    |
| 35. | M12 Washer                              | 088001200   |
| 36. | R/H Sweeper Lift Hook                   | 30139200    |
| 37. | Jubilee Clip                            | 11861500    |
| 38. | Spring Handbrake Block Torsion 1.75 Dia | 258000600   |
| 39. | Bolt M8 x 45mm (Vac)                    | 02941000    |

**JAN 2011**

**SECTION 4a**



**C-SERIES TRACTORREAR BODY ASSEMBLY PARTS LIST**

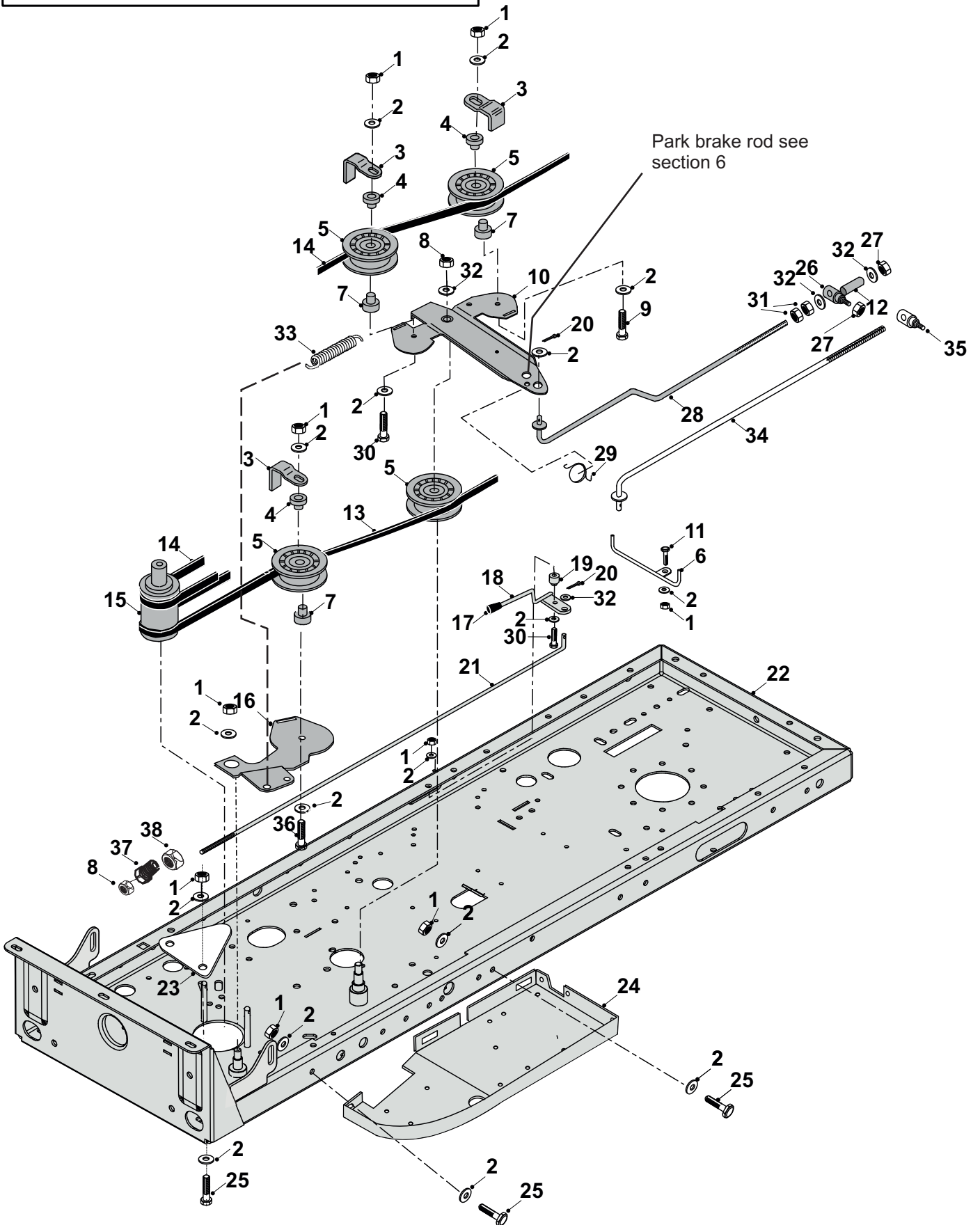
|     | PART DESCRIPTION                             | PART NUMBER                     |
|-----|--|---------------------------------|
| 40. | PTO Danger Decal                             | 35809500                        |
| 41. | Spacer 9 x 8.5mm I.D.                        | 18302700                        |
| 42. | PGC Link Arm (RH)                            | 32725900                        |
| 42a | PGC Link Arm (LH)                            | 32726000                        |
| 43. | Seat Pivot Rod                               | 31301800                        |
| 44. | R-Clip 2mm                                   | 06849100                        |
| 45. | Split Pin 1/2" x 1/8"                        | 06855200                        |
| 46. | Rear Body Panel manual                       | 327806800                       |
| 47. | Rubber Seat Spring Retainer                  | 149551900                       |
| 48. | Sweeper Ball Joint Spacer                    | 183025600                       |
| 49. | Seat Spring Retainer Plate                   | 301985700                       |
| 50. | Seat Attachment Channel                      | 301985300                       |
| 51. | Lever Knob                                   | 14804800                        |
| 52. | PTO Engage Lever                             | 32708702                        |
| 53. | M8 x 40mm Hx Hd Bolt                         | 018003200                       |
| 54. | PTO Level Plate – H.E. only                  | 30134500                        |
| 55. | Nut M8                                       | 04920100                        |
| 56. | Joggle Plate Boss                            | 183027400                       |
| 57. | Seat Release Mechanism Lever                 | 325000601                       |
| 58. | Spring                                       | 25831100                        |
| 59. | Manual Deck Lift Carry Plate Welded Assembly | 327805900                       |
| 60. | Manual Deck lift Handle Welded Assembly      | 327805802                       |
| 61. | Manual Deck Lift Cross Shaft                 | 183528600                       |
| 62. | Manual Deck Lift Link Slide Plate            | 301965300                       |
| 63. | Manual Deck lift Link slide Pin              | 183528801                       |
| 64. | Manual Deck Lift Yoke Weld Assembly C Series | 327806201                       |
| 65. | Adjuster Rod Plate welded Assembly           | 327806100                       |
| 66. | K46 Oil Tank                                 | 148014600                       |
| 67. | Reservoir Hose                               | 148014800                       |
| 68. | Sweeper Belt Guide Pin                       | 327012700                       |
| 69. | Chassis 04                                   | 327023302                       |
| 70. | PTO Flap Shell (Manual)                      | 149496400                       |
| 71. | Seat Running Plate                           | 301985503                       |
| 72. | PTO Flap Hinge                               | 149496500                       |
| 73. | Rose Joint 10mm                              | 10872600                        |
| 74. | Seat Base Plate                              | 301985401                       |
| 75. | Rear Seat Box                                | 303071200                       |
| 76. | Vent Valve Breather                          | Tuff Torq Part No<br>1948592452 |
| 77. | Nut Nyloc M6                                 | 04920500                        |
| 78  | Rscrew M6 x 20mm                             | 018000300                       |
| 79  | M10 x 30 Bolt                                | 02886000                        |
| 80  | C series PTO Tension Rod                     | 318963201                       |
| 81  | Washer M6                                    | 089422200                       |
| 82  | 42" Deck Spring                              | 25906200                        |
| 83  | M6 Socket Screw Cap                          | 148014300                       |
| 84  | 2050 Diesel PTO Spacer                       | 183013800                       |
| 85  | Manual Deck Lift RH Handle Grip              | 149550400                       |

|     |  |           |
|-----|--|-----------|
| 85a | Manual deck Lift LH Handle Grip            | 149550500 |
| 86  | Manual Deck lift Trigger Rod Weld Assembly | 327878100 |
| 87  | Manual Deck Lift Linkage arm               | 301965400 |
| 88  | C Series Deck Lift Pivot Spacer            | 183529500 |
| 89  | Manual deck Lift Handle Trigger            | 149550600 |
| 90  | Manual Deck Lift RH Rear Body Cover        | 149550700 |
| 91  | Manual Deck Linkage Pin                    | 183528900 |
| 92  | Manual Deck Lift Handle spring             | 259405900 |
| 93  | M5 x 30mm Countersunk Screw                | 028004000 |
| 94  | M5 x 35mm Countersunk Screw                | 029425000 |
| 95  | 4mm E Clip                                 | 07986100  |
| 96  | M5 Nut black                               | 048001800 |
| 97  | Seat Running Plate Spacer                  | 183856700 |
| 98  | M8 x 3mm Thick Washer                      | 08819800  |
| 99  | M8 x 25mm Bolt                             | 02826000  |
| 100 | Park Brake Switch Bracket                  | 301151300 |
| 101 | HE Blank Cover                             | 307186200 |
| 102 | Stainless Steel Wear Strip                 | 301140300 |
| 103 | PTO Engage Trunnion                        | 18318000  |

**JAN 2011**

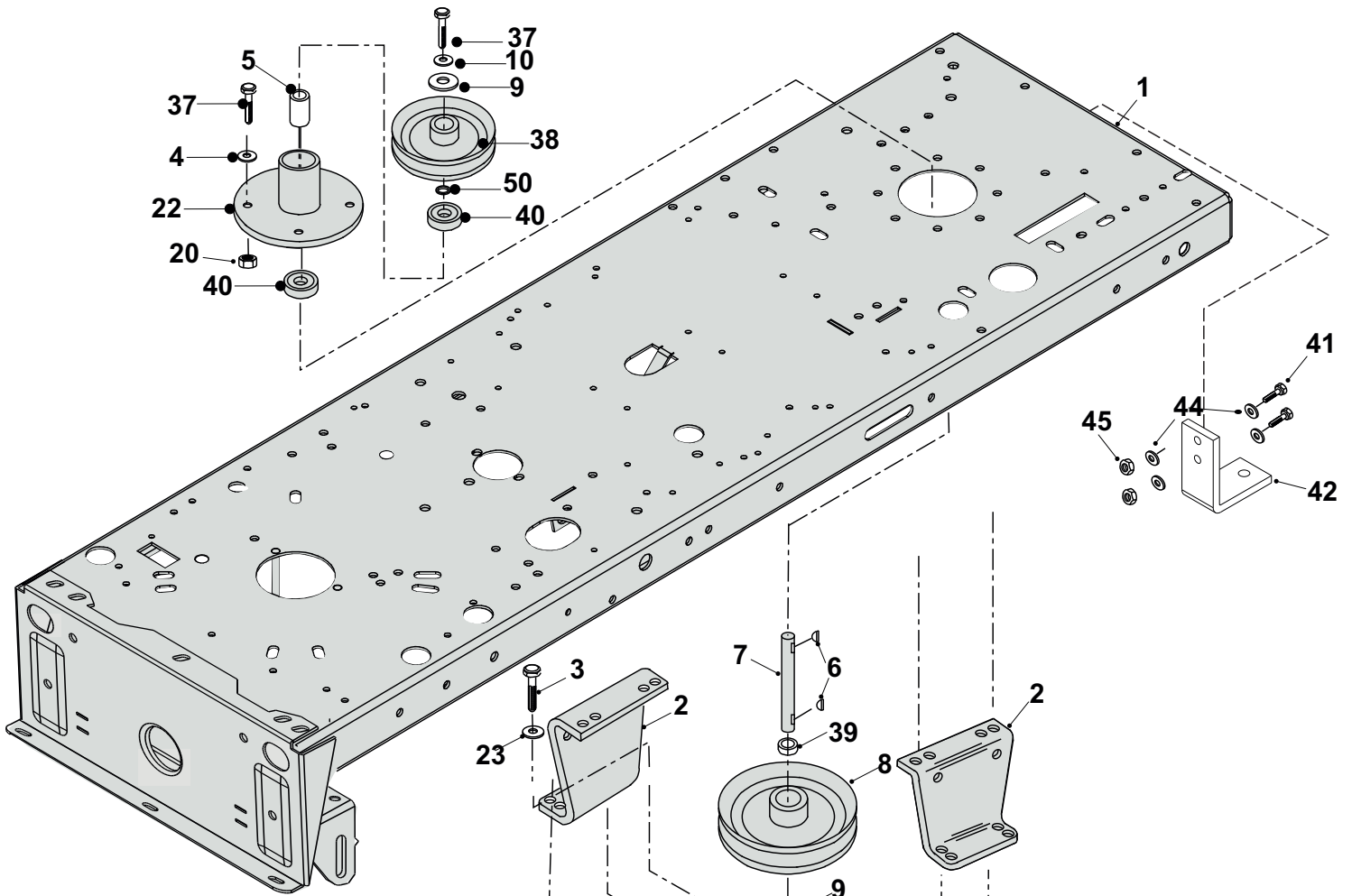
**SECTION 4a**

# C-SERIES PTO & TRANSMISSION ASSY

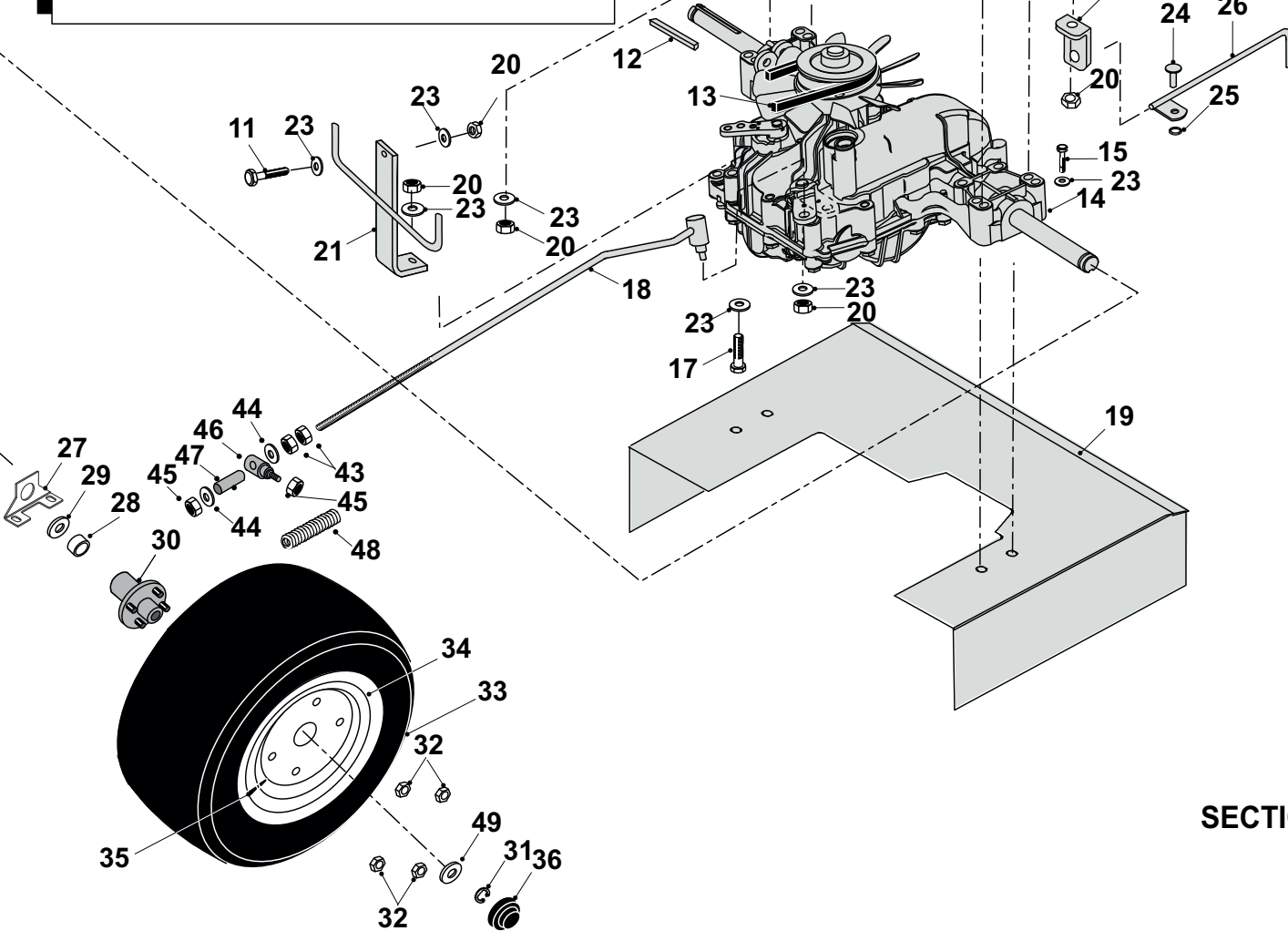


**C-SERIES TRACTOR**  
**PTO & TRANSMISSION ASSEMBLY**  
**PARTS LIST**

|     | PART DESCRIPTION   | PART NUMBER            |
|-----|--|------------------------|
| 1.  | Nut M8   | 04920100               |
| 2.  | M8 Washer  | 088003700              |
| 3.  | Belt Retaining Bracket   | 307187100              |
| 4.  | Spacer Jockey Wheel  | 18831600               |
| 5.  | PTO Jockey Pulley Plastic                                      | 20811500               |
| 6.  | PTO Rear Belt Guide  | 328955500              |
| 7.  | Sweeper Jockey Cap   | 31351100               |
| 8.  | M10 Nyloc Nut  | 04886100               |
| 9.  | Bolt M8 x 40mm mushroom head                                   | 018001700              |
| 10. | Jockey Pulley Plate  | 328955100              |
| 11. | Bolt M8 x 20mm   | 02825900               |
| 12. | MK3 Park Brake Engage Rod Sleeve                               | 183019100              |
| 13. | PTO Drive Belt Dayco A82                                       | 22811100               |
| 14. | A79 Super 11 Belt Transmission Drive K46                       | 229503400              |
| 15. | Magstop Engine Pulley  | 31330503               |
| 16. | PTO Jockey Plate   | 327360700              |
| 17. | Plastic Lever Cap  | 14946200               |
| 18. | Manual Lift Deck Tension Rod<br>Electric Lift Deck Tension Rod | 541120600<br>328960801 |
| 19. | Pivot (Deck Overlock)  | 18833700               |
| 20. | Split Pin 1/8" x 1"  | 06823300               |
| 21. | Deck Tension Rod   | 313513701              |
| 22. | Chassis 04   | 327023302              |
| 23. | Clutch Retaining Bracket                                       | 302007000              |
| 24. | Running Board R/H<br>Running Board L/H (Not Illustrated)       | 327177700<br>327177800 |
| 25. | M8 x 25mm Bolt   | 02826000               |
| 26. | Park Brake Engage Rod Trunnion                                 | 187186100              |
| 27. | Nut M10 Nyloc  | 04886100               |
| 28. | Hand Brake Engage / Park Brake Rod                             | 318952402              |
| 29. | Trunnion damping Spring  | 259405600              |
| 30. | M8 x 45mm Bolt   | 02941000               |
| 31. | Locknut M10  | 04872100               |
| 32. | Washer 10.8 id x 20.7 od x 2mm Thk                             | 088002400              |
| 33. | Return Spring  | 25812201               |
| 34. | Transmission Rod   | 327360900              |
| 35. | Trunnion (PTO Engage)  | 18318000               |
| 36. | M8 x 40mm bolt   | 018003200              |
| 37. | Deck Adjuster Nut  | 189507400              |
| 38. | M16 Half Nut   | 049382500              |



**C SERIES TRACTOR  
HYDROSTATIC TRANSAXLE**



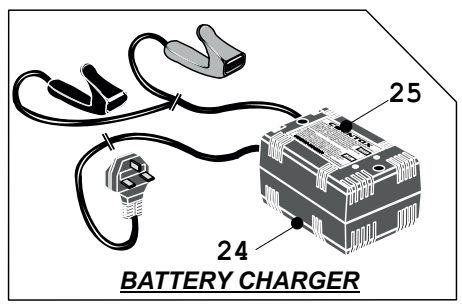
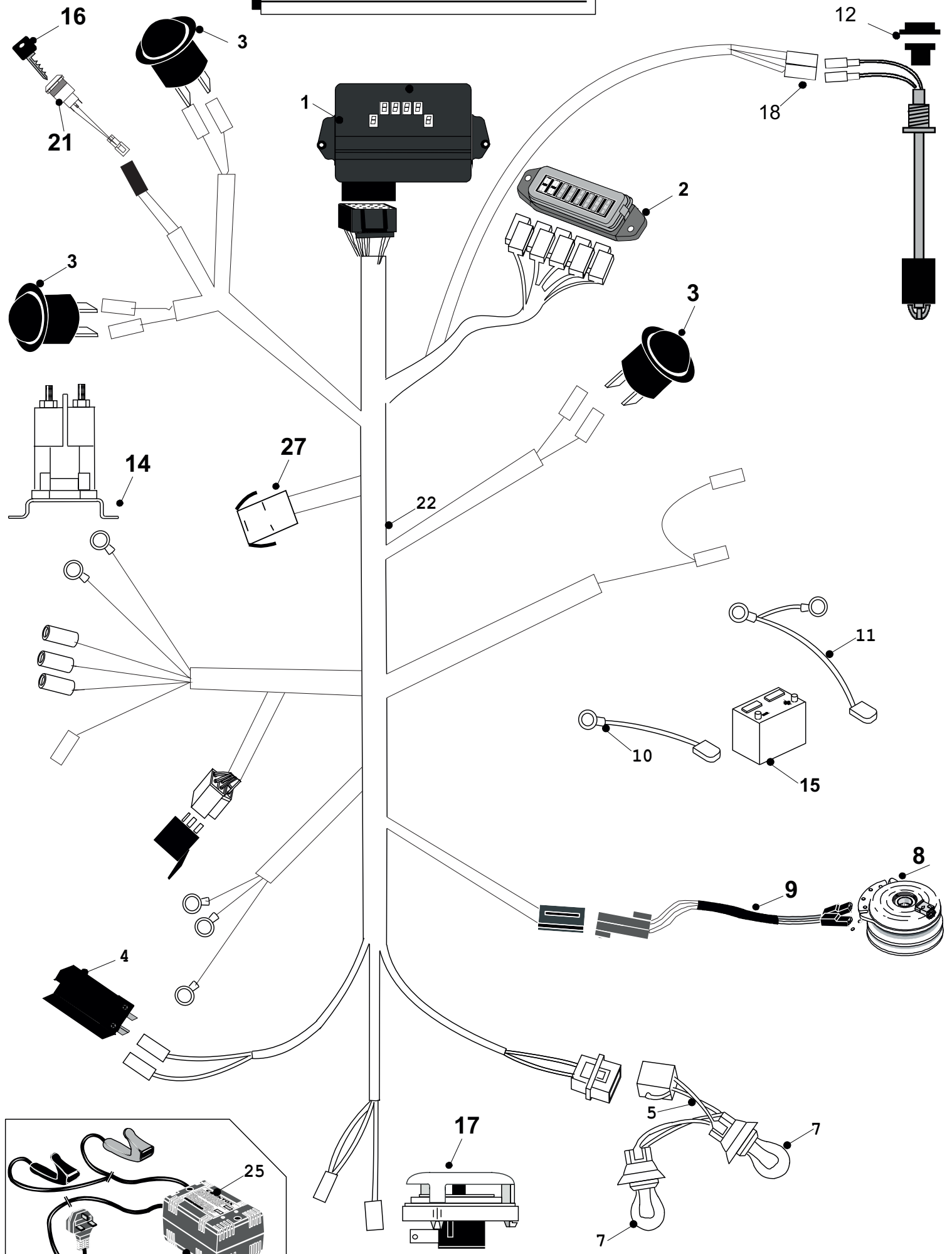
**C-SERIES TRACTOR  
TRANSAXLE ASSEMBLY  
PARTS LIST**

|     | PART DESCRIPTION                           | PART NUMBER |
|-----|--|-------------|
| 1.  | Chassis 04                                 | 327023302   |
| 2.  | Transaxle Bracket                          | 307025900   |
| 3.  | M8 x 70mm Hex Bolt Zinc Plated & Clear PAS | 028663200   |
| 4.  | M8 Washer                                  | 08819501    |
| 5.  | PTO Centre Spacer                          | 31334800    |
| 6.  | Key  | 09823900    |
| 7.  | PTO Shaft                                  | 32306000    |
| 8.  | Pulley 7"                                  | 20870700    |
| 9.  | Washer M8 x 25 x 3mm                       | 08819800    |
| 10. | M8 Star Washer (Vac)                       | 088003800   |
| 11. | Bolt M8 x 25mm                             | 02826000    |
| 12. | Key 2" x 3/16" (Rear Wheel)                | 09830700    |
| 13. | A79 Super 11 Belt – K46                    | 229503400   |
| 14. | K46 Hydrostatic Transaxle                  | 478000300   |
| 15. | Bolt M8 x 65mm                             | 028662700   |
| 16. | 99 C-Series Dump Rod Bracket               | 303071400   |
| 17. | Bolt M8 x 50mm                             | 018001800   |
| 18. | Handbrake Transmission Rod                 | 327360901   |
| 19. | K46 Transaxle Deflector                    | 303071002   |
| 20. | Nut M8                                     | 04920100    |
| 21. | Transaxle Support Bracket                  | 327020402   |
| 22. | PTO Bearing Housing                        | 32700300    |
| 23. | M8 Washer                                  | 088003700   |
| 24. | 1/4" x 1/2" Flat Head Solid Pin            | 012855800   |
| 25. | Starlock Washer 1/4"                       | 07868700    |
| 26. | Dump Valve Lever                           | 321123302   |
| 27. | K46 Transaxle Thrust Washer                | 307191802   |
| 28. | K46 Transaxle Wheel Spacer                 | 189498701   |
| 29. | 28.5 x 17mm washer                         | 081258200   |
| 30. | Wheel Hub for 20" Wheel c/w studs & nuts   | 198002000   |
| 31. | 19mm External Circlip                      | 07921200    |
| 32. | C- Series Wheel Nut                        | 048000901   |
| 33. | 20" Rear Tyre                              | 198001200   |
| 34. | Rear Wheel Rim 20"                         | 198001100   |
|     | Grease Nipple 5/16"                        | 11898800    |
|     | `O' Ring                                   | 24898700    |
|     | M8 Star Washer                             | 088000800   |

**C-SERIES TRACTOR  
TRANSAXLE ASSEMBLY  
PARTS LIST**

|     | PART DESCRIPTION                  | PART NUMBER |
|-----|-----------------------------------|-------------|
| 35. | Wheel Valve                       | 14889200    |
| 36. | Hub Cap ( Moulded)                | 14811800    |
| 37. | Bolt M8 x 20mm                    | 02825900    |
| 38. | PTO Pulley 5"                     | 208000600   |
| 39. | PTO End Spacer                    | 31306200    |
| 40. | Bearing (PTO Housing)             | 10811600    |
| 41. | Bolt M10 x 30mm                   | 02886000    |
| 42. | Tow Bracket                       | 29200101    |
| 43. | Nut M10                           | 04872100    |
| 44. | Washer 10.8 i.d x 20.7 o.d x 2 mm | 088002400   |
| 45. | M10 Nyloc nut                     | 04866100    |
| 46. | Park Brake Engage rod trunnion    | 183019000   |
| 47. | Park Brake Engage Rod Sleeve      | 174008900   |
| 48. | Spring                            | 259405100   |
| 49. | 46 x 19.5 galv washer             | 30127800    |
| 50. | M16 Washer                        | 088002600   |

# C-SERIES TRACTOR MANUAL & DH WIRING LOOM





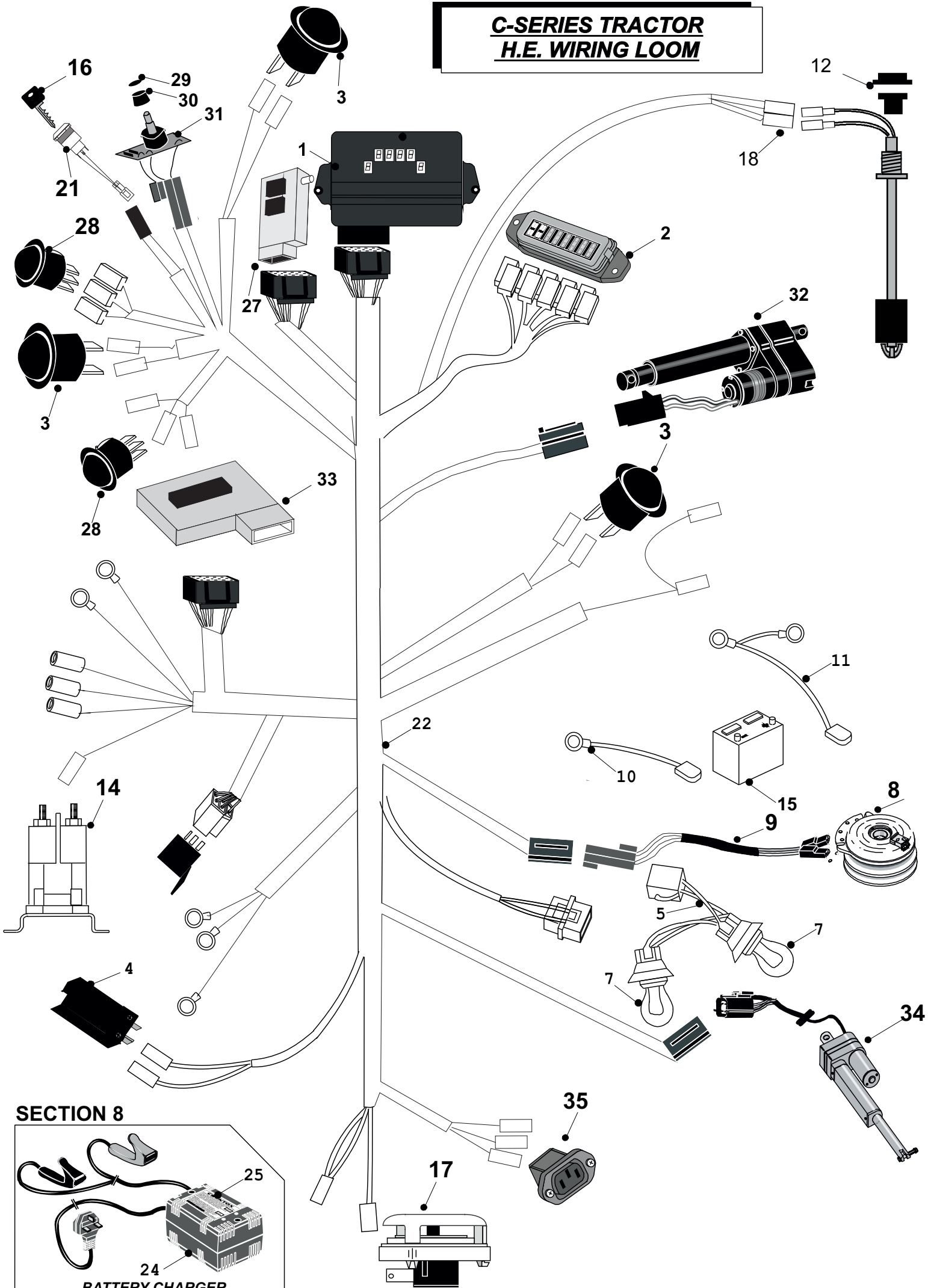
**C SERIES TRACTOR**  
**MANUAL & DH WIRING LOOM PARTS LIST**

|     | PART DESCRIPTION  | PART NUMBER |
|-----|---|-------------|
| 1   | Main PCB Board – current  | 448017005   |
| 2   | 2002 Fuse Box Holder  | 301139400   |
| 3   | 2 Pin Momentary Switch  | 448008700   |
| 4   | Position sensor Switch  | 449666600   |
| 5   | Headlight Loom  | 448010400   |
| 6   | Tie Wrap Mount (not illustrated)                                  | 52816800    |
| 7   | Bulb Hella 21W  | 448008500   |
| 8   | Electric Clutch Magstop   | 44936100    |
| 9   | Clutch Loom Magstop   | 44946800    |
| 10  | Lead Battery to Solenoid (C300H, C300M, C400H & C600H)            | 44812602    |
| 11  | Earth Lead (short)  | 449662800   |
| 11a | Earth Lead (Long)   | 449662900   |
| 12  | 16mm Sealing Washer<br>16mm Shock Proof Washer<br>Fuel Sensor Nut | 149510900   |
| 13  | Tie Wrap Adhesive (not Illustrated)                               | 52816700    |
| 14  | Starter Solenoid C300M only                                       | 44814801    |
| 15  | Battery 12V (Dry Charged)   | 458141200   |
| 16  | Ignition Key  | 529471700   |
| 17  | Seat Switch   | 44949500    |
| 18  | Fuel Level Sender   | 449665300   |
| 19  | 10A Amp Fuse (not illustrated)                                    | 44889500    |
| 20  | Fuse Spade 20A (not illustrated)                                  | 44835000    |
| 21  | Ignition Switch   | 449683300   |
| 22  | C Series Main wiring loom   | 449873100   |
| 23  | Tie Wrap (not Illustrated)  | 52825400    |
| 24  | Battery Charger   | 449562800   |
| 25  | Battery Charger Decal   | 359509300   |
| 26  | Battery Charger Instructions (not illustrated)                    | 36919400    |
| 27  | Dial Height Sub Loom  | 449873200   |

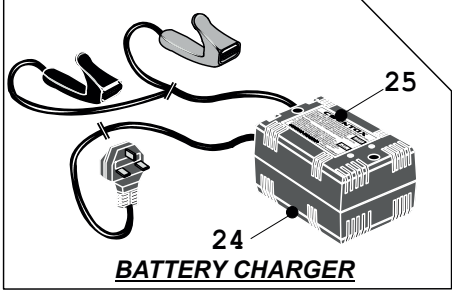
**JAN 2011**

**SECTION 07**

# C-SERIES TRACTOR H.E. WIRING LOOM



## SECTION 8

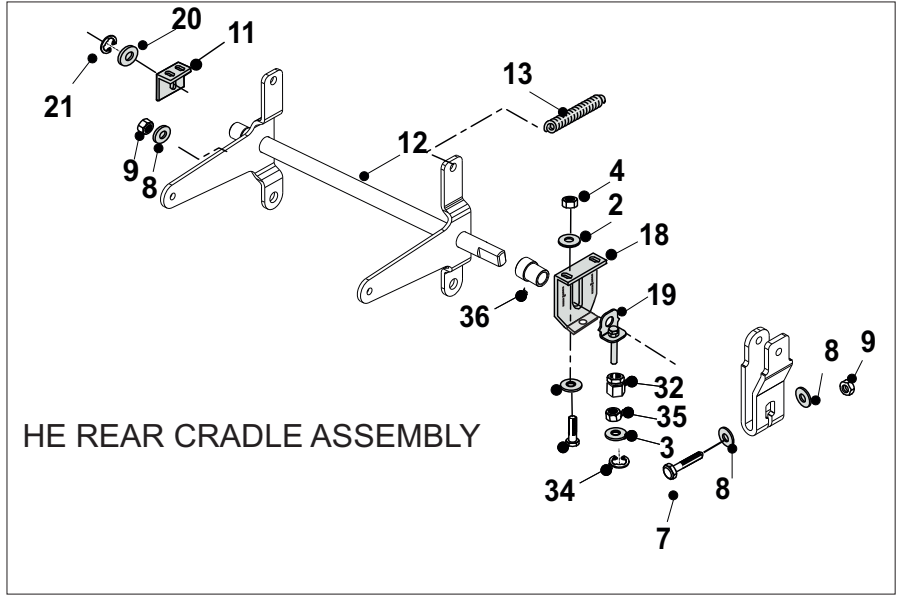
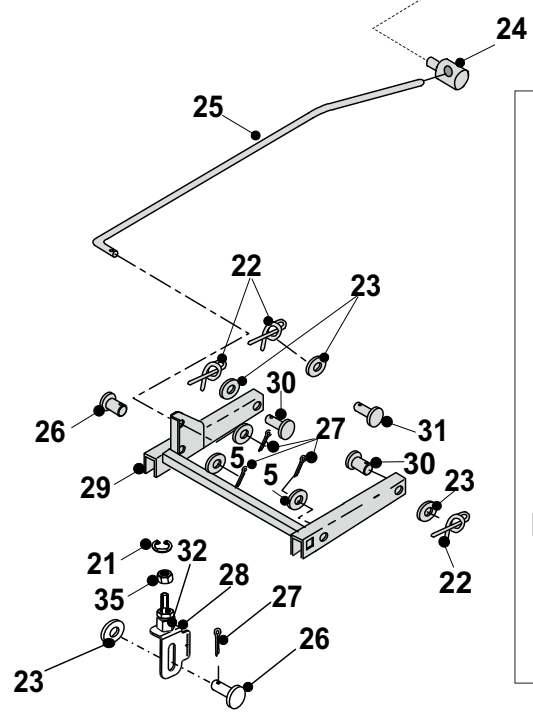
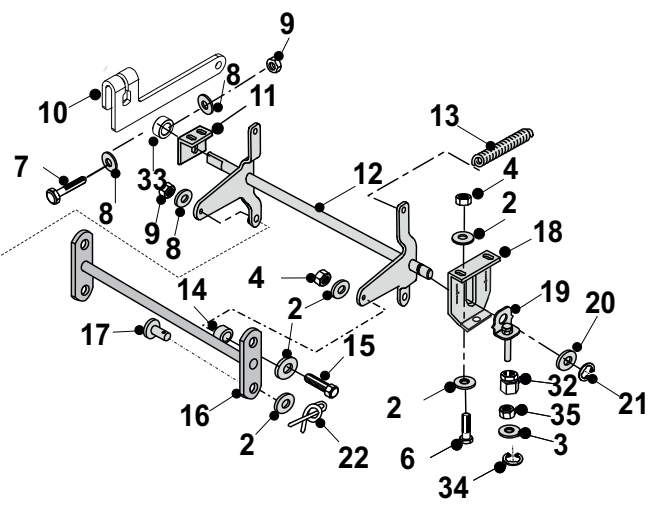
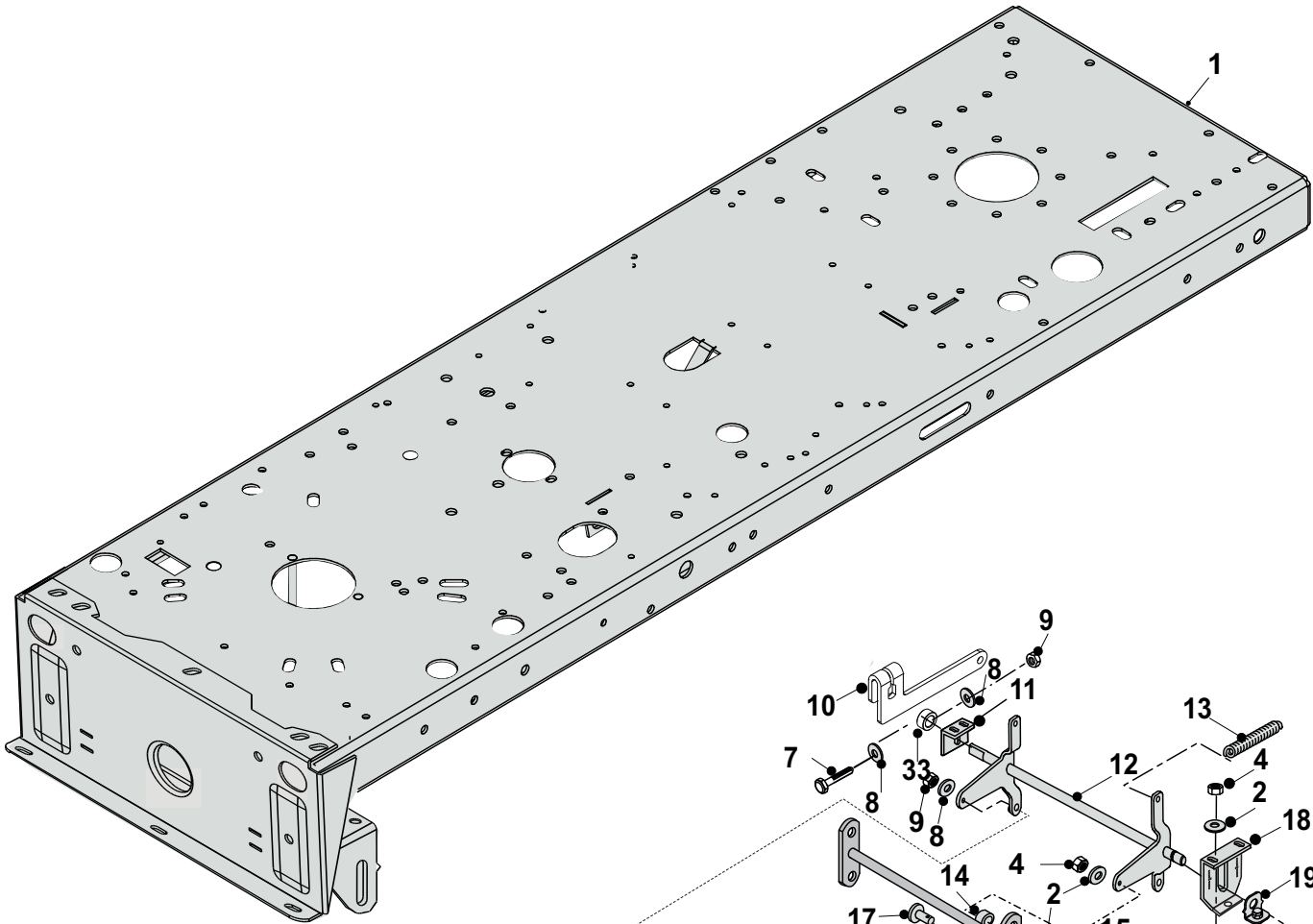


**BATTERY CHARGER**

**C SERIES TRACTOR**  
**H.E. WIRING LOOM PARTS LIST**

|     | PART DESCRIPTION  | PART NUMBER |
|-----|---|-------------|
| 1   | Main PCB Board – current  | 448017005   |
| 2   | 2002 Fuse Box Holder  | 301139400   |
| 3   | 2 Pin Momentary Switch  | 448008700   |
| 4   | Position sensor Switch  | 449666600   |
| 5   | Headlight Loom  | 448010400   |
| 6   | Tie Wrap Mount (not illustrated)                                  | 52816800    |
| 7   | Bulb Hella 21W  | 448008500   |
| 8   | Electric Clutch Magstop   | 44936100    |
| 9   | Clutch Loom Magstop   | 44946800    |
| 10  | Lead Battery to Solenoid (C300H, C300M, C400H & C600H)            | 44812602    |
| 11  | Earth Lead (short)  | 449662800   |
| 11a | Earth Lead (Long)   | 449662900   |
| 12  | 16mm Sealing Washer<br>16mm Shock Proof Washer<br>Fuel Sensor Nut | 149510900   |
| 13  | Tie Wrap Adhesive (not Illustrated)                               | 52816700    |
| 14  | Starter Solenoid C300M only                                       | 44814801    |
| 15  | Battery 12V (Dry Charged)   | 458141200   |
| 16  | Ignition Key  | 529471700   |
| 17  | Seat Switch   | 44949500    |
| 18  | Fuel Level Sender   | 449665300   |
| 19  | 10A Amp Fuse (not illustrated)                                    | 44889500    |
| 20  | Fuse Spade 20A (not illustrated)                                  | 44835000    |
| 21  | Ignition Switch   | 449683300   |
| 22  | C Series H.E.wiring loom  | 449872700   |
| 23  | Tie Wrap (not Illustrated)  | 52825400    |
| 24  | Battery Charger   | 449562800   |
| 25  | Battery Charger Decal   | 359509300   |
| 26  | Battery Charger Instructions (not illustrated)                    | 36919400    |
| 27  | Dial Height Board   | 448017104   |
| 28  | 3 pin On/Off/On Switch  | 449665600   |
| 29  | 31mm Collet Knob Cap  | 148011001   |
| 30  | 31mm Collet Knob  | 148010601   |
| 31  | Dial Height PCB Metal Switch                                      | 449561501   |
| 32  | Actuator Warner LA10 serial no:from 00718 to current              | 449559500   |
| 33  | H.E. Board  | 448017200   |
| 34  | Deck Lift Actuator  | 449664100   |
| 35  | PGC Net Emptying Loom used on C series                            | 448004300   |
| 36  | Net Tipping Kit not illustrated                                   | APO10A      |

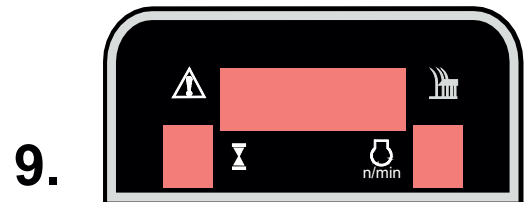
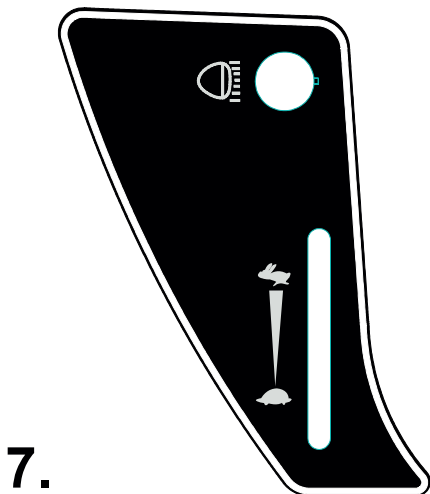
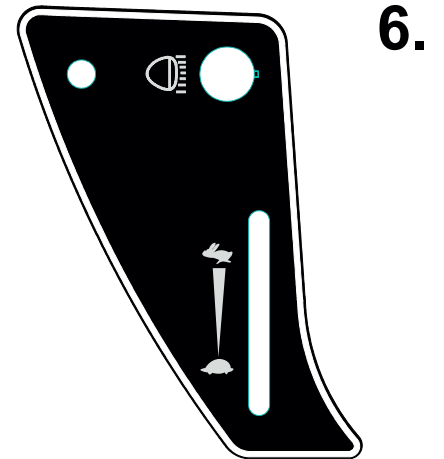
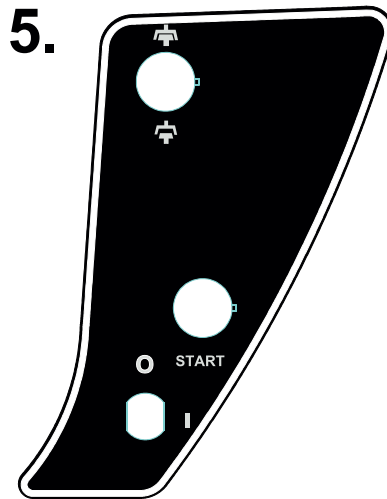
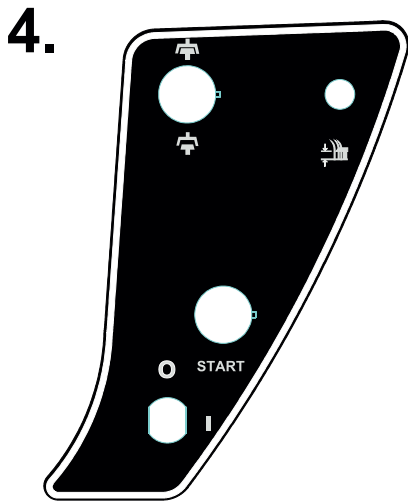
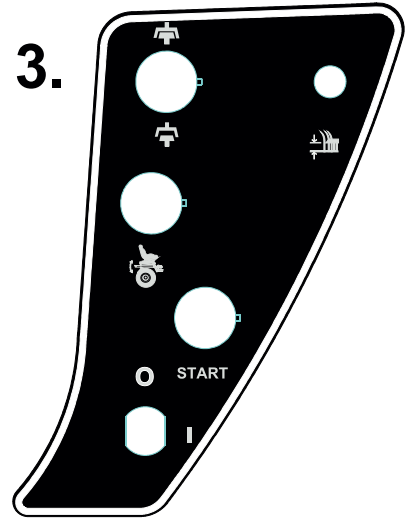
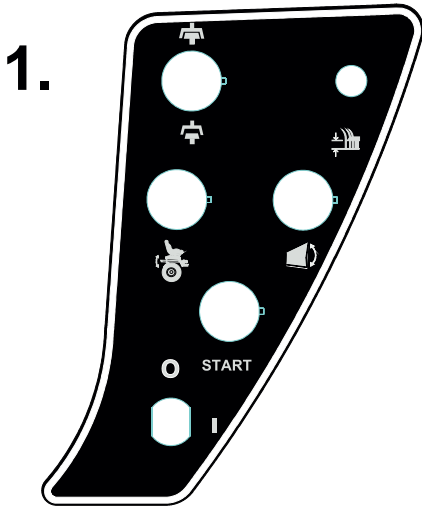
# C-SERIES TRACTOR DECK CRADLE ASSEMBLY



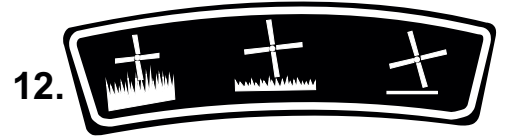
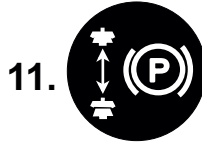
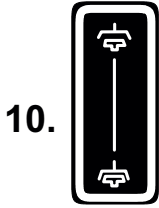
**C SERIESTRACTOR**  
**DECK CRADLE ASSEMBLY Parts List**

|    | PART DESCRIPTION  | PART NUMBER            |
|----|---|------------------------|
| 1  | Chassis   | 327023302              |
| 2  | M8 Washer   | 088003700              |
| 3  | Washer 5/8 x 1 1/4"                                     | 08822700               |
| 4  | M8 Nyloc Nut  | 04950600               |
| 5  | D Washer  | 08116100               |
| 6  | Bolt M8 x 20mm  | 02825900               |
| 7  | M10 x 55 Hex Head Bolt                                  | 018002400              |
| 8  | Washer 10.8 i.d. X 20.7 o.d x 2mm Thk                   | 088002400              |
| 9  | M10 Nyloc Nut   | 04886100               |
| 10 | Deck Lift Linkage Arm C Series                          | 301965400              |
| 11 | Deck Hanging Bracket (Rear)                             | 307189601              |
| 12 | Deck Hanging Bar (Rear)<br>Rear Deck Lift cradle (H.E.) | 327361700<br>328954100 |
| 13 | Sweeper Lift assist Spring                              | 25908801               |
| 14 | Spacer 9mm x 8.5mm id                                   | 18302700               |
| 15 | M8 x 30mm Hx Hd Bolt Zinc Plt & Clear Passivated        | 018001600              |
| 16 | Deck Lift Cradle Rear                                   | 328961100              |
| 17 | Deck Lift Pin Rear                                      | 31337200               |
| 18 | Rear Deck Level Bracket                                 | 301143701              |
| 19 | Rear Deck Cradle Adjuster                               | 328961400              |
| 20 | Washer 3/4 T3 LP  | 08823000               |
| 21 | M12 'E' Clip  | 078000800              |
| 22 | Rue Clip  | 11836700               |
| 23 | M12 Washer  | 088003600              |
| 24 | 2002 Tractor Deck Level Trunnion                        | 189497500              |
| 25 | Height Adjuster Rod                                     | 18805900               |
| 26 | Deck lift Pin 1/2 x 1 3/4"                              | 31339401               |
| 27 | Split Pin 1/8" x 1"                                     | 06823300               |
| 28 | Deck Adjustment Plate                                   | 327029200              |
| 29 | Deck Carrying (Front) 1/2 x 1 3/8"                      | 32703700               |
| 30 | Deck Lift Pin (Front) 3/8 x 1 3/16"                     | 31336800               |
| 31 | Deck Push Rod Pin                                       | 31338200               |
| 32 | Deck Level Adjuster Nut                                 | 189501803              |
| 33 | Sweeper Bag Link Bar Spacer                             | 31323500               |
| 34 | 19mm External E Clip                                    | 07921200               |
| 35 | M10 Half Nut  | 04872100               |
| 36 | LA12 Rear Deck Lift Cradle Spacer                       | 189497601              |

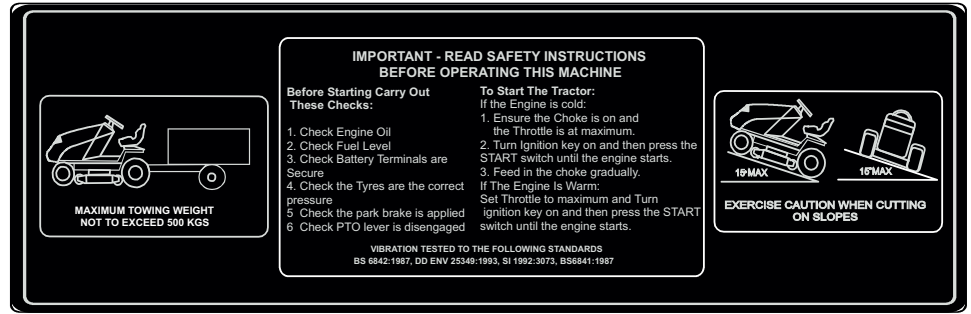
**C-SERIES TRACTOR  
DECALS (Page 1.)**



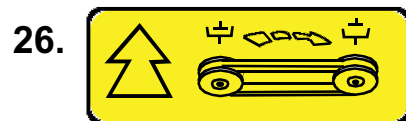
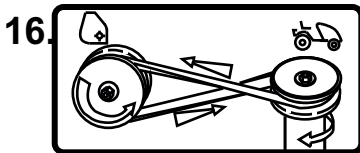
# C-SERIES TRACTOR DECALS (Page 2)



15.



18. **COUNTAX**



**C-SERIES TRACTOR****DECALS****PARTS LIST**

|     | PART DESCRIPTION                             | PART NUMBER |
|-----|--|-------------|
| 1.  | C Series RH Dash Standard Decal              | 359522801   |
| 2.  | C Series RH No Dial Height Decal             | 359522701   |
| 3.  | C Series RH With electric sweeper Decal      | 359523201   |
| 4.  | C Series RH No Electric sweeper or net Decal | 359522901   |
| 5.  | C Series RH Manual Decal                     | 359523001   |
| 6.  | C Series LH Dash Decal Throttle              | 359522601   |
| 7.  | C Series LH Dash No Choke Decal              | 359524001   |
| 8.  | C Series LH Dash Throttle & Choke Decal      | 359522501   |
| 9.  | C Series Display Decal                       | 359523101   |
| 10. | Rear Body PTO Engage Decal 2003              | 35882701    |
| 11. | C-Series Handbrake Handle Badge              | 359505100   |
| 12. | Sweeper Height Decal 2003                    | 35937601    |
| 13. | Deck Lift Plastic Cover LH Decal             | 359524700   |
| 14. | Deck Lift Plastic Cover RH Decal             | 359524800   |
| 15. | Instructions Decal                           | 359549100   |
| 16. | Sweeper Belt Decal (Symbols Only)            | 35891200    |
| 17. | PTO Danger Label                             | 35809500    |
| 18. | Badge Countax Silver                         | 359505800   |
| 19. | Decal Countax Badge                          | 359513400   |
| 20. | Noise Label Decal 100db C600H– Nov 01        | 35809701    |
|     | Decal 105 Decibel C800H – Nov 01             | 359497101   |
| 21. | Rider Deck Danger Decal                      | 35803300    |
| 22. | C600H LH Side Panel Decal                    | 359543000   |
|     | C800H LH Side Panel Decal                    | 359543800   |
| 23. | C600H RH Side Panel Decal                    | 359543100   |
|     | C800H RH Side Panel Decal                    | 359543900   |
| 24. | Powered by Kawasaki RH Small Decal           | 359538800   |
| 25. | Powered by Kawasaki LH Small Decal           | 359538700   |
| 26. | Deck Belt Release                            | 35914600    |

**JAN 2011****SECTION 10**