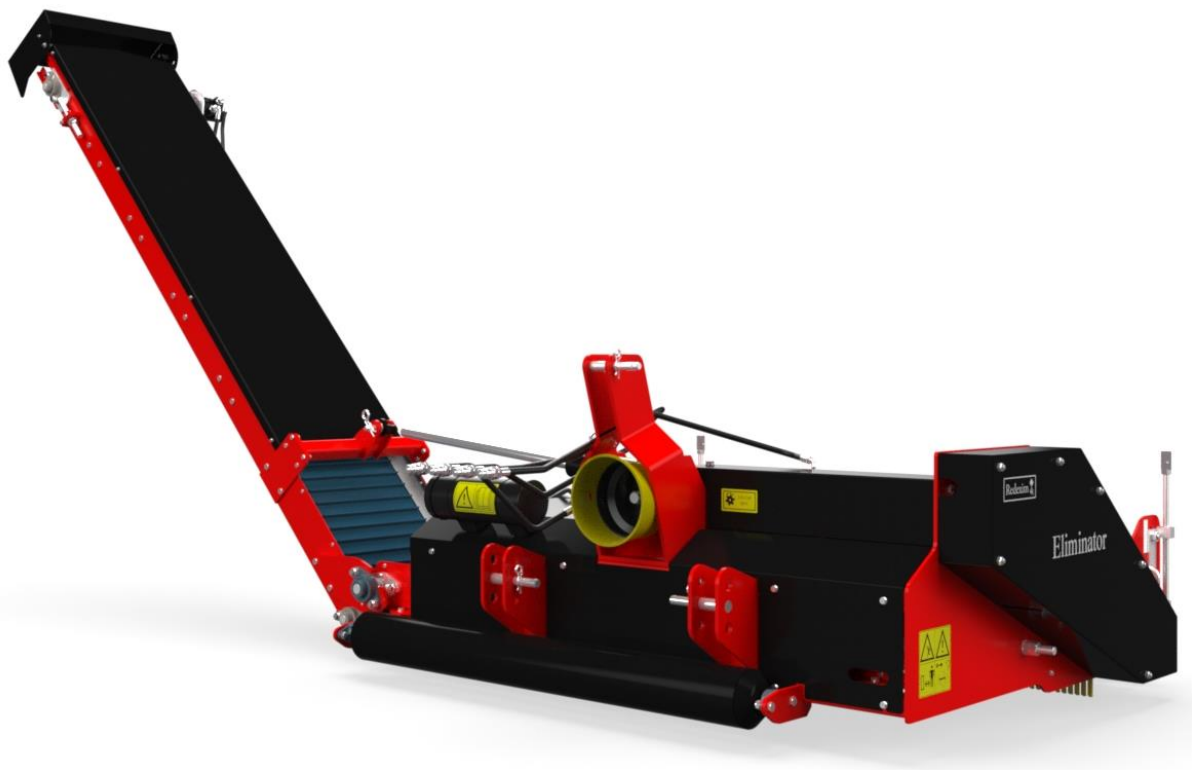


ELIMINATOR



Translation of the original user manual



2302 English 949.120.200 EN

EU – DECLARATION OF CONFORMITY



We,

Redexim Handel- en Exploitatie Maatschappij B.V.

Kwekerijweg 8

3709 JA Zeist, The Netherlands

declare that this “EU - DECLARATION OF CONFORMITY” is issued under our sole responsibility and belongs to the following product:

ELIMINATOR WITH MACHINE NUMBER AS INDICATED ON THE MACHINE AND IN THIS MANUAL,

to which this declaration refers, complies with stipulation of:

2006/42/EC Machinery Directive

and with the standards:

- **ISO 12100-1:2010** Safety of machinery - General principles for design - Risk assessment and risk reduction
- **ISO 13857:2019** Safety of machinery - Safety distances to prevent hazard zones being reached by upper and lower limbs
- **ISO 4254-1:2015** Agricultural machinery - Safety - Part 1: General requirements

Zeist, 13-01-2023

A handwritten signature in blue ink, appearing to read 'C.H.G. de Bree', with a horizontal line extending to the right.

C.H.G. de Bree

Redexim Handel- en Exploitatie Maatschappij B.V.

UK – DECLARATION OF CONFORMITY



We,

Redexim Handel- en Exploitatie Maatschappij B.V.
Kwekerijweg 8
3709 JA Zeist, The Netherlands

declare that this “UK - DECLARATION OF CONFORMITY” is issued under our sole responsibility and belongs to the following product:

ELIMINATOR WITH MACHINE NUMBER AS INDICATED ON THE MACHINE AND IN THIS MANUAL,

to which this declaration refers, complies with stipulation of:

S.I. 2008 No. 1597 HEALTH AND SAFETY The Supply of Machinery (Safety) Regulations 2008

and with the standards:

- **ISO 12100-1:2010** Safety of machinery - General principles for design - Risk assessment and risk reduction
- **ISO 13857:2019** Safety of machinery - Safety distances to prevent hazard zones being reached by upper and lower limbs
- **ISO 4254-1:2015** Agricultural machinery - Safety - Part 1: General requirements

Zeist, 13-01-2023

A handwritten signature in blue ink, appearing to read 'C.H.G. de Bree'.

C.H.G. de Bree



Redexim Handel- en Exploitatie Maatschappij B.V.

PREFACE

Congratulations on your Eliminator purchase. For safe and long-lasting operation of this Eliminator it is necessary to read and understand this user's manual. Without full knowledge of the contents it is impossible to work with this machine safely.

The Eliminator is a machine designed for removing infill from artificial turf fields. The Eliminator has no receiving bin of its own so another machine will have to be used to catch the infill removed.

The following page deals with the general safety instructions first. Every user must know these and use them. After this a registration card is entered that needs to be returned in order to be able to deal with later claims.

In this users' manual many instructions are given, which are numbered in order. You should act according to this order. If a  is used, this points to safety instructions. If a  is used, this means a tip and/or note.

All information and technical specifications provided at the moment that this document is published are the most recent ones. Design specifications may be changed without prior notice.

This document is a translation of the original operating instructions. Upon request, the original operating instructions are available in Dutch.

WARRANTY PROVISIONS

THIS ELIMINATOR IS SUPPLIED WITH A WARRANTY AGAINST DEFECTS IN MATERIALS. THIS WARRANTY IS VALID FOR A PERIOD OF 12 MONTHS FROM THE PURCHASE DATE. ELIMINATOR WARRANTIES ARE SUBJECT TO THE "GENERAL CONDITIONS FOR SUPPLY OF PLANT AND MACHINERY FOR EXPORT, NUMBER 188", PUBLISHED UNDER THE AUSPICES OF THE UNITED NATIONS ECONOMIC COMMISSION FOR EUROPE.

REGISTRATION CARD

For your own information, complete the table below:

Serial number machine	
Dealer name	
Purchase date	
Remarks	

! SAFETY INSTRUCTIONS !

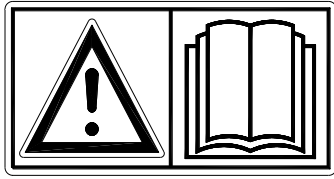


Fig. 1

The Eliminator has been designed to be used safely. This can only be done if the safety instructions described in this manual are followed fully.

Read and understand (Fig. 1) the manual before you start using the Eliminator.

If the machine is used as described in the manual, there is the risk of injury and/or damage to the Eliminator.

- (1) When using the machine the operator must be competent and must have competently adjusted the machine to the surface to be treated.

With incompetent usage and damage resulting from it the manufacturer will not accept any responsibility; all risks associated with this are the sole responsibility of the user.

Incompetent usage also includes not following the manufacturer's directions for use, maintenance or repairs.

Before using the Eliminator, first inspect the area to be treated. Remove loose obstacles and avoid irregularities.

- (2) The Eliminator has been manufactured according to the latest technological insights and is safe for use.

Should the machine be used, maintained or repaired by inexperienced persons, then there is a risk of injury to both the user and third parties. **This must be avoided!**

- (3) All persons that have been designated by the owner to operate, maintain or repair the Eliminator, must have read and fully understood the users' manual and especially the chapter **Safety instructions**.

The operator is responsible for the safe usage of the **Eliminator**.

- (4) The operator is **required** to **check for visible damage and defects** before he/she starts using the Eliminator. Alterations to the Eliminator (including its operation) that influence the safety negatively must be remedied immediately. Making alterations or additions to the Eliminator (excluding those approved by the manufacturer) are not permitted, in principle, for safety reasons.

If **modifications** to the Eliminator have been made, then the current CE mark is cancelled and whoever made these modifications must apply for a new **CE mark himself**.

Check the Eliminator for loose bolts/nuts/parts every time before using it.

Check the hydraulic hoses regularly and replace them if they are damaged or show signs of ageing. The replacement hoses should comply with the technical demands of the manufacturer.

Before work is done to it, the pressure should **always** be taken off the hydraulic installation.

In the absence of protective covers and safety stickers the Eliminator must **NEVER** be used.

When using the Eliminator all protective covers for the machine **MUST** be fitted.

NEVER crawl under the Eliminator.
Turn the Eliminator over if necessary.

NEVER step down from the tractor if the engine is still turning.

When performing maintenance, adjustments or repairs it is necessary to block the Eliminator from sagging/moving/sliding away.

When performing maintenance, adjustments or repairs **always turn off the tractor's engine and remove the tractor's key from the ignition and disconnect PTO** (Fig.2)



Fig. 2

For maintenance and repairs only use original Eliminator parts for safety of machine and operator.

Repairs of the Eliminator may only be performed by authorised technical personnel.

Keep an account of repairs.

- (5) Besides the instructions in this users' manual, the general safety instructions should be followed.

When using the public highway the applicable traffic regulations also apply.

Transporting people is not permitted!

Do not use the Eliminator in the darkness, during heavy rainfall / storms or on slopes with an angle over 20 degrees.

- (6) Before commencing the work, all persons who will operate the Eliminator must be familiar with all its functions and operational elements.

Couple the Eliminator to the vehicle pulling it according to the instructions.
(Danger of injury!)

Before leaving check whether you have proper visibility both close and far.

On the side-board and near the front and side-cover on both sides of the Eliminator safety stickers (Fig. 5) are applied with an identical meaning. These safety stickers must be properly visible and legible at all times, and be replaced when damaged.

During operation **NO persons without the proper personal protective equipment are permitted in the danger area** of the Eliminator, because there is danger of physical injury there from spurting material (Fig. 3).



Fig. 3



Fig. 4

Keep a minimum distance of four metres (4 1/3 yards)! (Fig. 4)

Wear functional clothes. Wear heavy shoes with steel toecaps, long trousers, long hair done up and no loose-fitting clothes.
Use the proper personal protective equipment according to the applicable safety instructions.

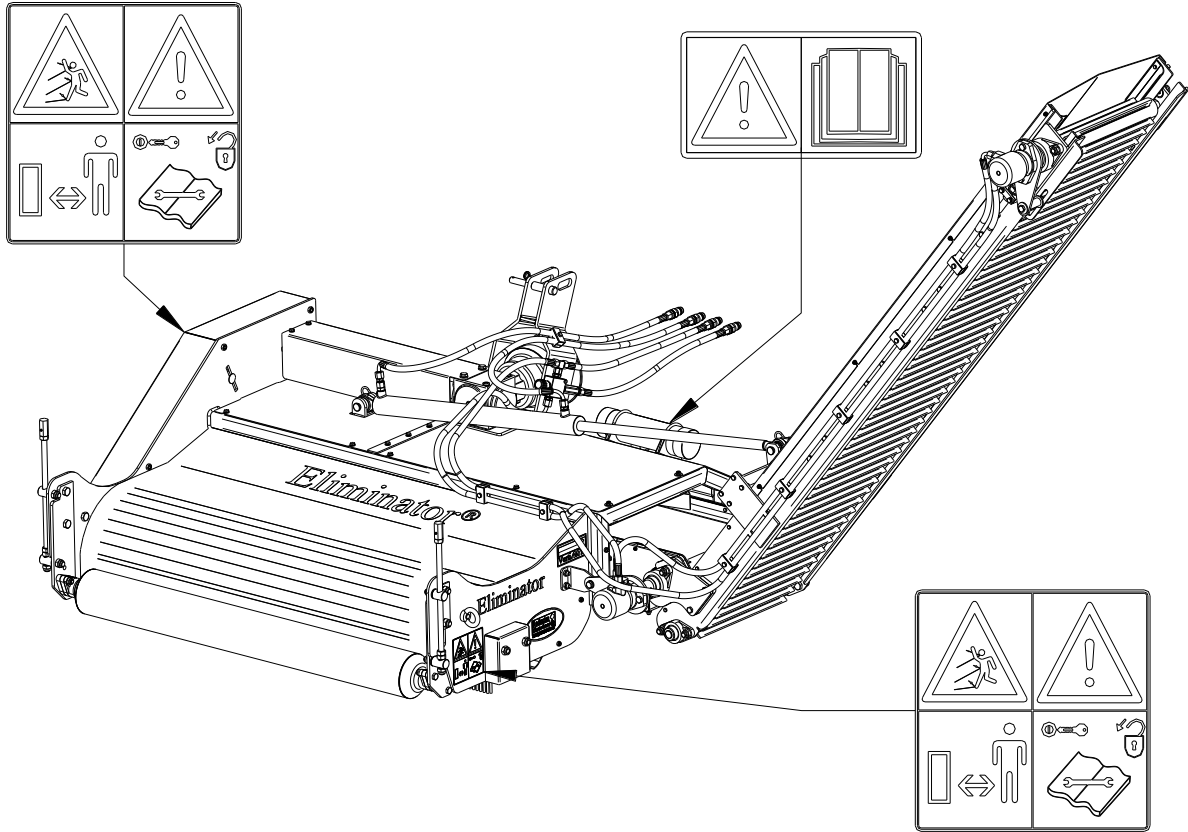


Fig. 5

(7) Position of safety stickers. (Fig. 5)

TABLE OF CONTENTS

EU – DECLARATION OF CONFORMITY	2
UK – DECLARATION OF CONFORMITY	3
PREFACE	4
WARRANTY PROVISIONS.....	4
REGISTRATION CARD	4
! SAFETY INSTRUCTIONS !.....	5
1.0 TECHNICAL DATA.....	10
2.0 FIRST INSTALLATION, TAKING THE MACHINE OFF THE PALLET	11
3.0 GENERAL PARTS LIST	12
4.0 COUPLING TO THE TRACTOR.....	13
5.0 THE PTO.....	14
5.1 LENGTH OF THE PTO (fig. 8).....	14
5.2 USE OF THE PTO.....	15
6.0 OPERATION OF THE ELIMINATOR	16
6.1 START/STOP PROCEDURE.....	16
6.2 DRIVING SPEED.....	17
6.3 SETTING WORKING DEPTH.....	18
6.4 ADJUSTING V-STRING TENSION.....	19
6.5 CONVEYOR BELT ALIGNMENT.....	20
7.0 TRANSPORT OF THE ELIMINATOR	21
8.0 MAINTENANCE.....	22
9.0 PROBLEM ANALYSES	23

1.0 TECHNICAL DATA

Model	Eliminator
Working width	1500 mm
Working depth (With brush not worn out)	0mm - 40mm (0"-1.5")
Driving speed	0 - 5 Km/h 0 - 3 mph
Weight	600 Kg (1320 lbs)
Recommended tractor	35 HP. Lifting capacity 900 kg (1984 lbs).
Maximum capacity (Theoretically at maximum speed; 5 Km/h (3mph))	7500 m ² /h (80730 ft ² /h)
Shipping dimensions	L x W x H 1625 x 2120 x 2120 mm 64" x 83.5" x 83.5"
Three-point connection	CAT. 1 / 2
Oil gear box	SAE 30
Standard parts	Frame with aft roller adjustable in height. Discharge belt, Supply belt, Boom cylinder, Users manual container with tools.

2.0 FIRST INSTALLATION, TAKING THE MACHINE OFF THE PALLET

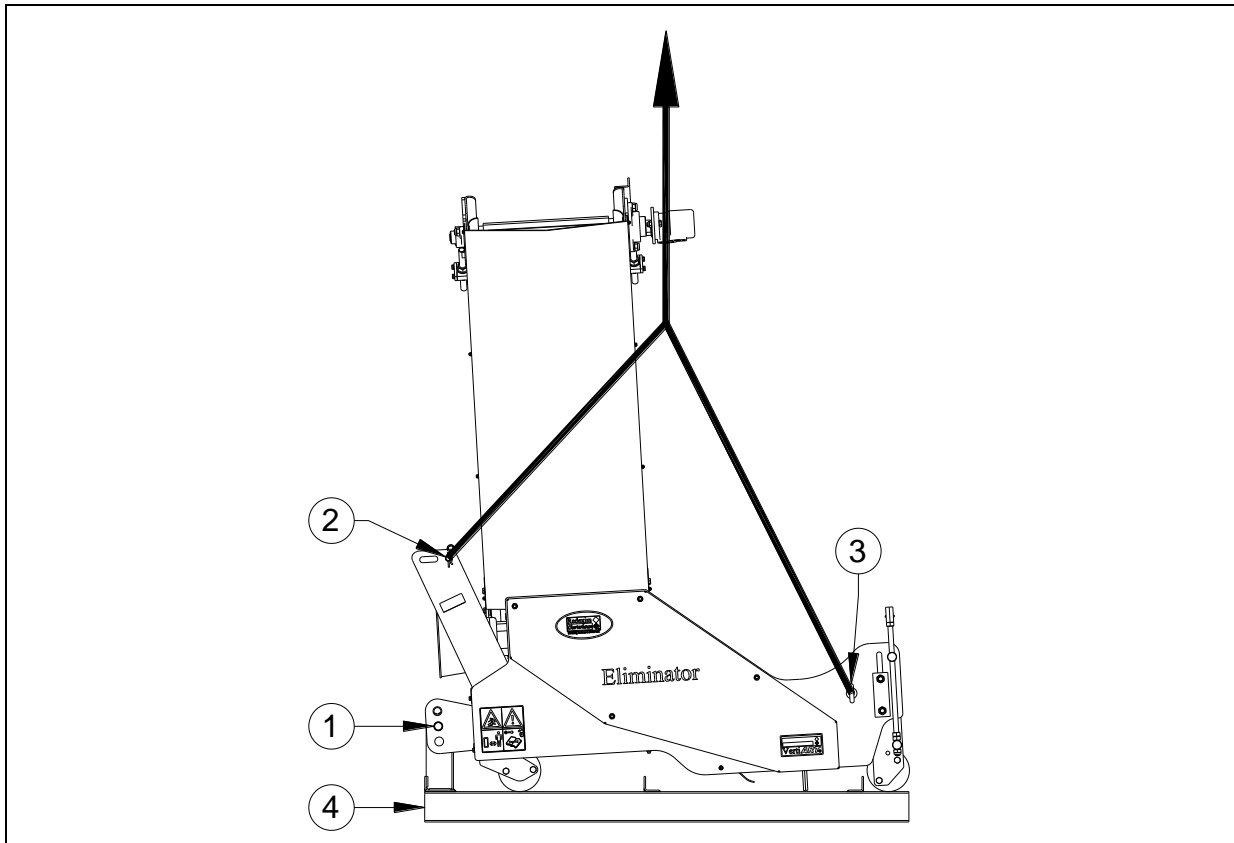


Fig. 6

The machine is delivered on a pallet with the supply belt in transport position. To remove the pallet and prepare the machine, proceed as follows (see fig.6):

⚠ !! NEVER CRAWL UNDER THE MACHINE !!

1. Remove the bottom 3-point pins 1 that the machine is attached to the pallet with.
2. Attach a cable to the topline pin 2 and to the lifting points 3 on both sides of the machine.

⚠ Make sure the cable/crane/elevator can lift at least 1000 kg (2200 lbs).

3. Lift the machine off the pallet 4.

⚠ !! PAY ATTENTION AND KEEP YOUR DISTANCE !!

4. Lower the machine in a controlled and gentle way until it touches the ground fully with both rollers.
5. Check the machine for possible loose bolts/nuts or other loose parts.
6. Check whether the machine's hydraulic parts (hoses, couplings, etc.) are not loose.

3.0 GENERAL PARTS LIST

In figure 8 some important parts are shown:

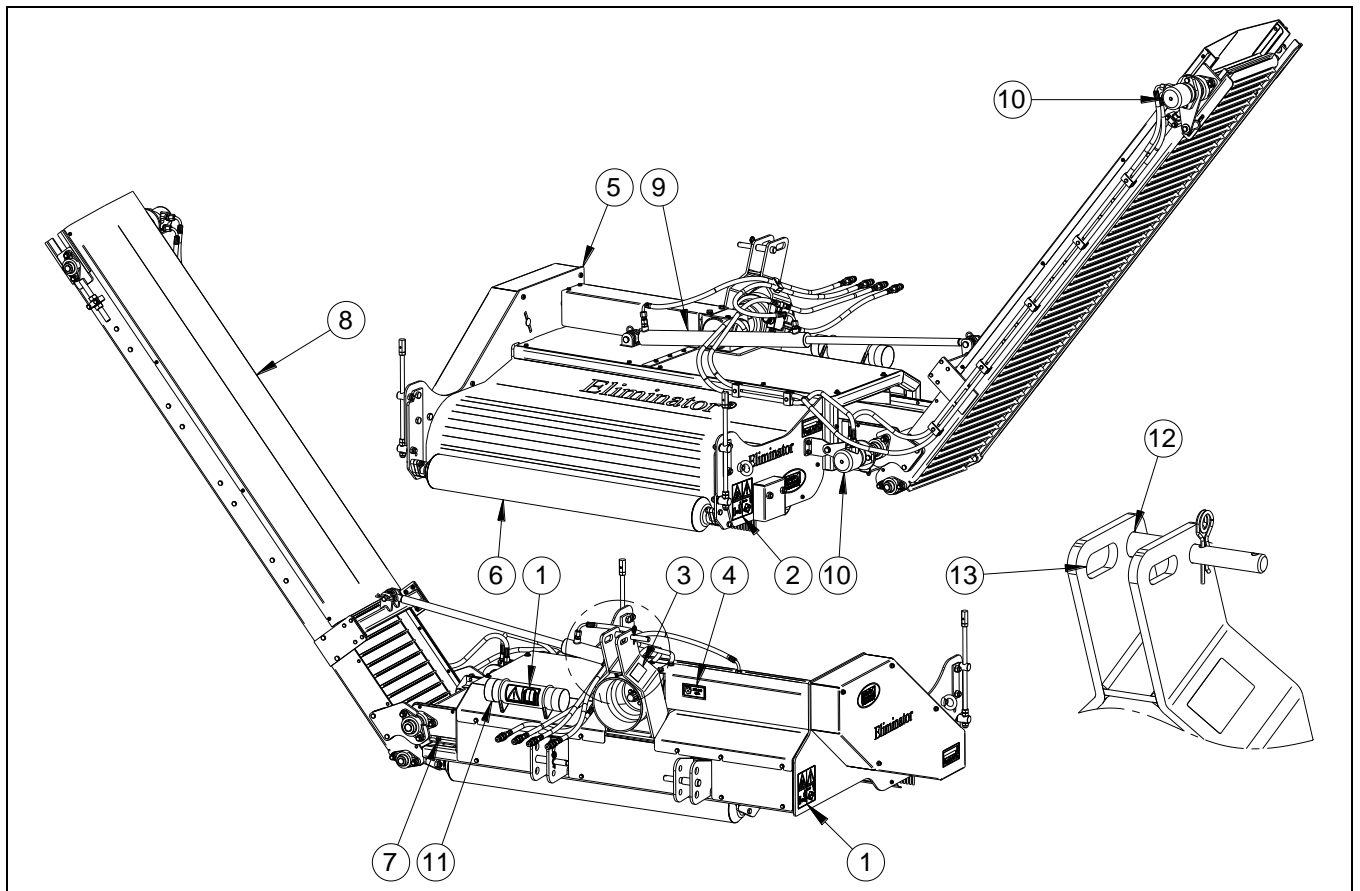


Fig. 7

1. Safety sticker 900.280.402, read users manual before use/ toolbox.
2. Safety sticker 933.280.402, for bystanders without personal protective equipment keep a 4 metre distance from the machine. Watch out for material flying about!

⚠ All safety stickers must be attached to the machine at all times and must be understood.

3. Sticker serial number.
4. PTO sticker for indication rotational direction and revolutions per minute.
5. Main frame with rotating sweeping brush.
6. Adjustable construction (aft roller) for work depth setting.
7. Discharge belt.
8. Supply belt.
9. Boom cylinder.
10. Hydraulic engines.
11. Users' manual container with tool set.
12. Opening for transport setting and fixed work setting.
13. Slotted hole terrain following work setting.

4.0 COUPLING TO THE TRACTOR

Check procedure before starting the coupling of the Eliminator.

- Check the Eliminator for visually observable damage and repair this if a safe operation of the machine can no longer be guaranteed.
- Check whether all nuts and bolts are tightened.
- Check whether all protective covers and safety stickers are attached to the machine and are not damaged.

Without them the machine must **NEVER** be used.

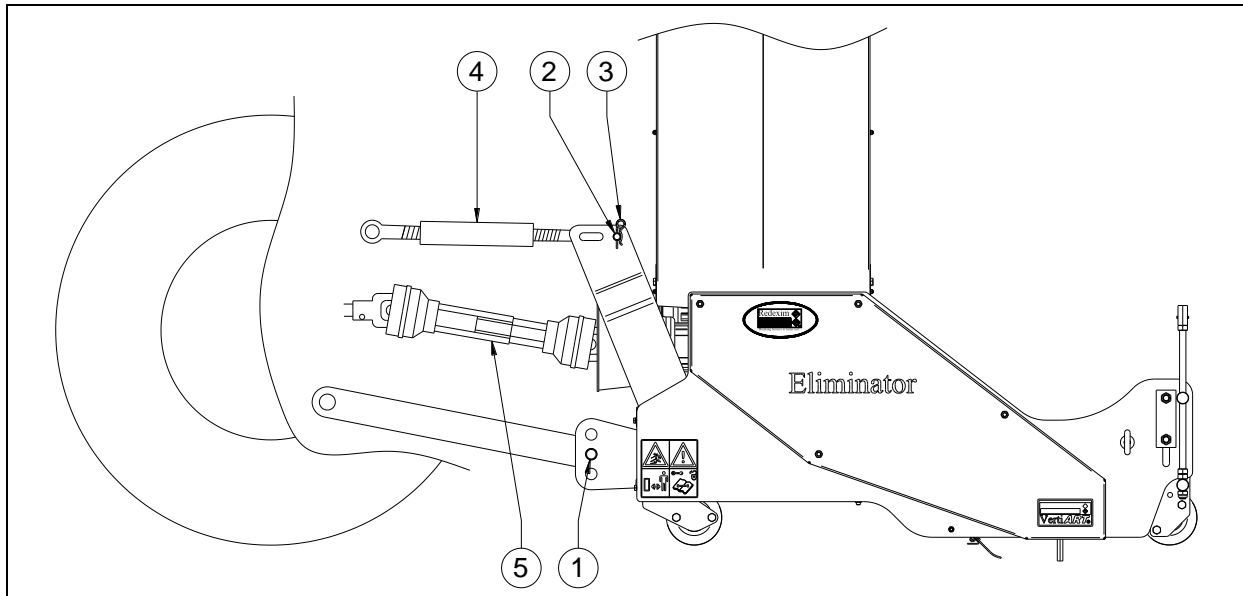


Fig. 9

The Eliminator can be coupled to the tractor by means of the 3-point linkage.

The method is as follows: (Fig. 9)

1. Remove the 3-point pins 1 and 2
2. Reverse the tractor carefully, so the lower connecting arms can be coupled to the frame.
3. **⚠ !! Make sure the tractor is blocked properly and cannot move of its own accord !!**
4. **⚠ !! Turn off the tractor before dismounting !!**
5. Connect the lower connecting arms with the 3-point connecting plate pins 1 and secure these with the retaining pins supplied.
6. Set the tractor's stabiliser to 100 mm sideways stroke
7. Install the topline (4) on your tractor and unscrew this until it is at the same height as the upper 3-point top connection 3 (transport setting) of the Eliminator.
8. Connect the topline (4) with pin 2 on the frame; secure pin 2 with the retaining pin 3 supplied.
9. Turn in the topline (4) so that it is placed under tension.
10. Install the PTO 5 to the PTO-shaft of the tractor and the Eliminator.
⚠ !! Make sure that all the fastening pins are secured!!
11. Connect the hydraulic hoses to the tractor.
12. Start the tractor and lift the Eliminator from the surface.
⚠ !! Make sure that the machine is lifted parallel to the surface as much as possible. For this use one of the three holes !! on the lowest 3-point connection.
⚠ !! Make sure that the Eliminator does not touch the tractor during lifting.

5.0 THE PTO

The PTO is a very important part. It provides the drive from the tractor and, if maintained and installed properly, makes sure the machine is used safely. The PTO has its own CE-certification. Read the PTO manual; this is attached to the PTO itself.

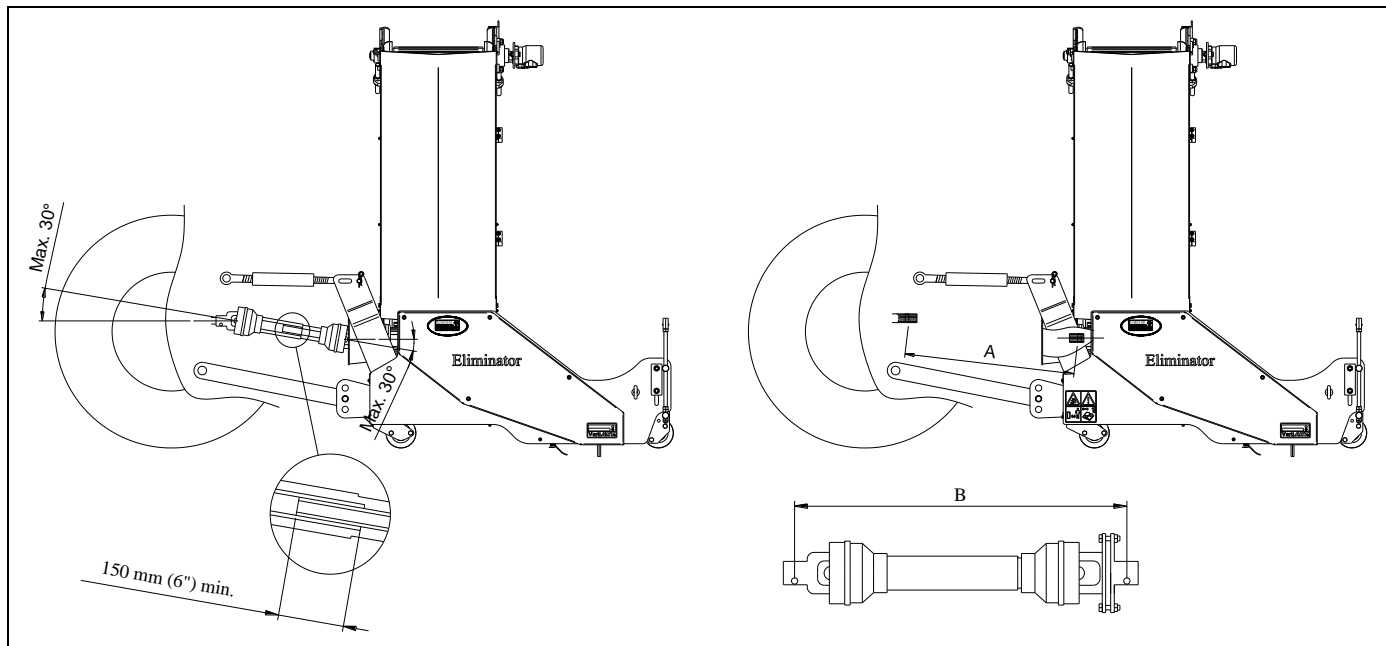


Fig. 8

5.1 LENGTH OF THE PTO (fig. 8)

The length of the PTO is very important. If it is too long, the drive of the tractor and/or Eliminator can be damaged.

If the overlapping length of the cylinders is less than 150 mm (6") at any time, the PTO can be damaged.

⚠ !! The length changes when the machine is lifted or when a different tractor is used !!

To give the PTO its proper length when new or when using a different tractor, proceed as follows:

1. Couple the Eliminator to the tractor as described in chapter 5.0.
2. **⚠ !! Switch off the tractor and make sure that the tractor is blocked properly and cannot move on its own !!**
3. Lower the Eliminator to the surface until it rests on the front and aft rollers.
4. Measure the distance A between the PTO connection of the tractor and that of the Eliminator, from groove to groove.
5. Measure the distance B on the PTO in its shortest setting from securing pin to securing bolt.
6. Split the PTO into two parts and remove the protective cover from both ends.
7. Both the ends of the cylinders and the ends of the protective covers must be shortened:
 $(B - A) + 75 \text{ mm (3")}$.
8. Trim all parts; use some grease and assemble all parts.
9. Assemble the PTO with the break bolt safety on the Eliminator side.
10. Attach the other side of the PTO to the tractor.
11. Check the overlap of the cylinders.

⚠ !! Never use the machine with a damaged PTO protective cover; Replace this first !!

5.2 USE OF THE PTO

For proper use of the PTO the following items must be checked:

1. During operation of the Eliminator the angle of the turning points must never exceed 30 degrees.
2. The turning points must always be in line.
3. The overlap of the cylinders must always be at least 150 mm.
4. Never use the machine with a damaged PTO protective cover.

6.0 OPERATION OF THE ELIMINATOR

Before the Eliminator can be used anywhere, the following should be checked:

1. Are there any loose objects on the field? Remove these first.
2. Are there any slopes? The maximum slope that this machine can be used on is 20 degrees.
Always work downward.
3. Is there any danger of objects flying around, like balls for instance that can distract the driver's attention? If so, the Eliminator can **NOT** be used.
4. Is there any danger of sinking or slipping? If so, postpone the treatment until conditions are better.
5. If the ground is wet, postpone the work until conditions are better.
6. If the machine vibrates too vigorously, go back in PTO speed.
7. A field can be treated 2 or 3 times in the same direction to get a thorough removal of the infill.
8. Do not make turns; the subsoil can be damaged.

6.1 START/STOP PROCEDURE

The start procedure is **VERY** important. If this procedure is not conducted as described below, then serious damage can be done to the surface to be treated/the machine.

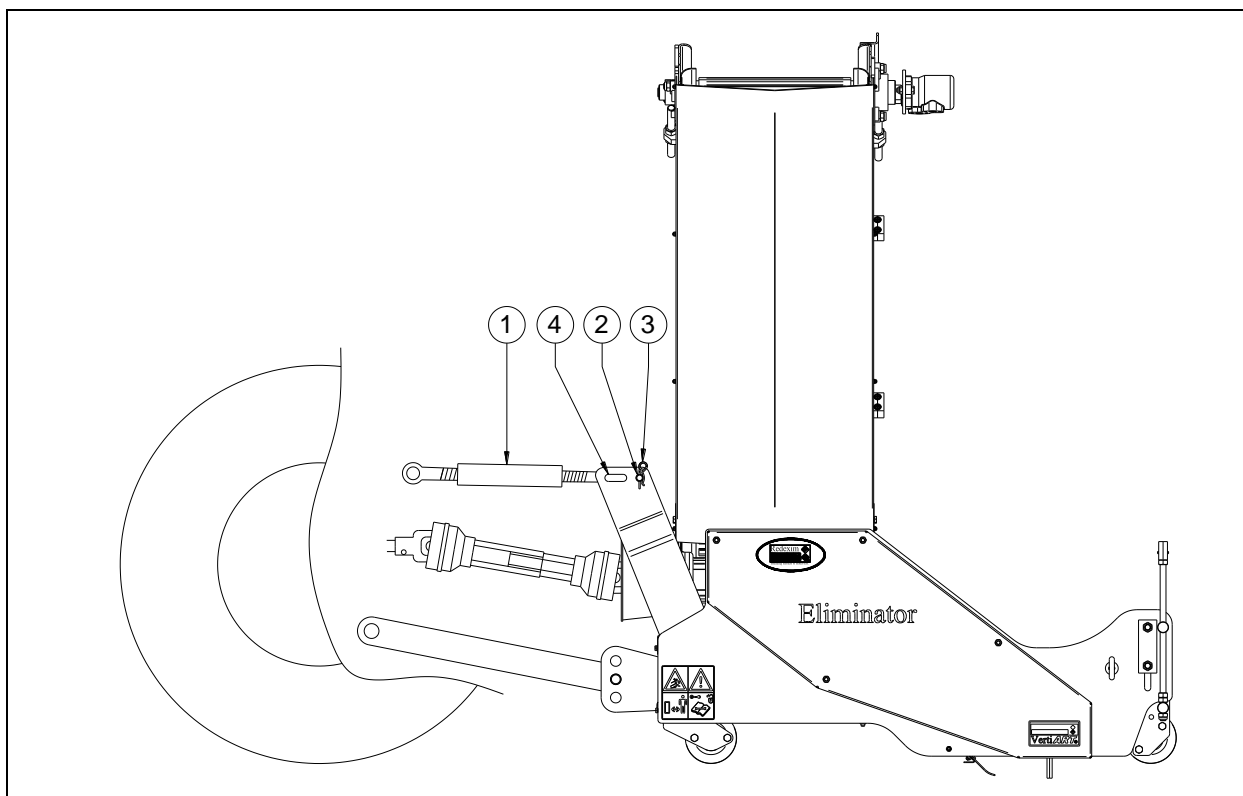


Fig. 10

The start procedure is as follows: (see Fig. 10)

1. Check the Eliminator thoroughly for loose parts and check whether all parts are functioning properly.
⚠ !! If loose parts have been found or if parts do not work properly, then the problems need to be solved first before using the Eliminator !!
2. Drive to the location where the treatment needs to take place.
⚠ !! Attention, the supply belt must be in the transport position! (See chapter. 7.0)

3. Lower the Eliminator gently to the surface to be treated.
4. Make sure the adjustable aft roller is all the way out or at least far enough so that not too much infill is removed from the turf by the brush right away. For the depth adjustment see chapter 6.3.



!! Make sure that the tractor is blocked properly and cannot move of its own accord !!



!! Switch off the tractor before getting off !!

5. If desired the toplink 1 can be fitted into the terrain following setting in slot 4. Do this by loosening the retaining pin 3 and toplink pin 4 and fitting them back in slot 4.
6. Set supply belt in working position.
7. Put the tractor in the right gear.
8. Engage the hydraulically driven conveyor belts.
9. Engage the PTO with a low engine speed and increase this gently to the maximum value of 540 revolutions/ minute
10. Now drive forward and increase the speed to, at most, 5 Km/h (3 mph). See chapter 6.2.
11. Make sure the Eliminator moves at a speed equal to that of the external receiving bin.
12. If the desired depth is not achieved, adjust the brush to a greater depth and restart the treatment.

Stopping is conducted as follows:

1. Bring the tractor to a standstill.
2. Disengage the PTO so the brush is brought to a standstill.
3. Disengage the conveyor belts as soon as no infill is removed anymore.
4. Place the supply belt in the transport position.
5. Lift the Eliminator off the ground.
6. Drive to the next location and start the treatment as discussed above.

6.2 DRIVING SPEED

The maximum driving speed during the treatment is limited to 5 km/h (3 mph).

The optimal driving speed is determined by the amount of infill material to be removed. As more infill material is to be removed, the driving speed needs to be lowered to arrive at a good result. So this depends on the condition of the artificial turf and can therefore not be expressed in a fixed value. The abovementioned recommended maximum speed is a safety value to prevent excessive wear and tear and damage to both machine and the surface to be treated.

6.3 SETTING WORKING DEPTH

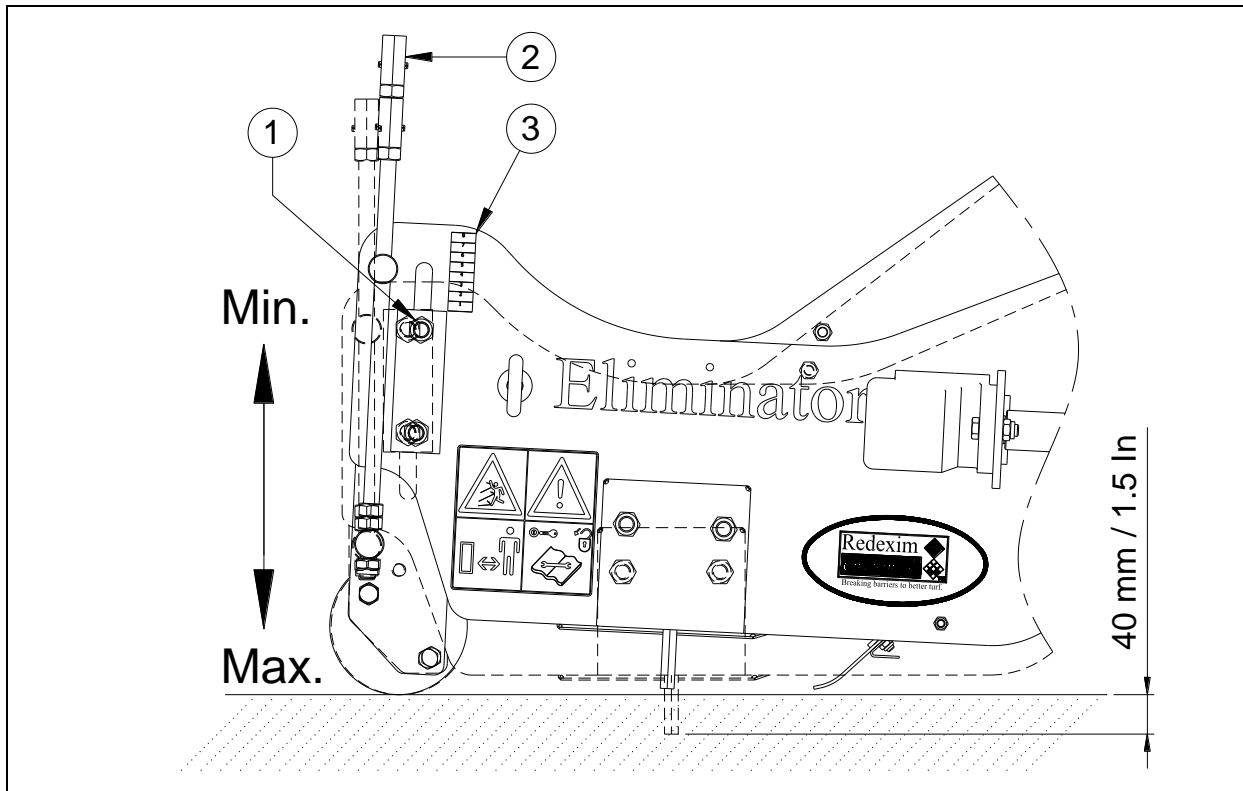


Fig. 11

The working depth of the brush can be adjusted by adjusting the aft roller. This is done by turning the spindles at the back of the machine.

The procedure is as follows: (see fig.11)

⚠ !! Make sure that the tractor/Eliminator is blocked properly and cannot move of its own accord !!

⚠ !! Switch off the tractor before getting off !!

1. Loosen the nuts 1 on both sides of the machine a couple of turns.

👉 A set of spanners has been supplied with the machine; these are in the manual/tool set container (see fig.7).

2. Adjust the spindles 2 and thus the working depth with the spanners supplied.

3. Set both sides of the machine at equal height. This way an equal amount of infill material is removed over the full working width. Use the indication stickers 3 for this.

4. Retighten the bolts 1 on both sides of the machine properly.

👉 As artificial turf fields differ from each other a lot, the desired working depth will have to be found empirically. The given maximum working depth of 40 mm is a theoretical value and no doubt will be different in practice.

👉 It may be that the infill material is compacted too tightly so not enough of it is removed and the desired working depth can therefore not be achieved in one go. Applying the treatment a second or third time can then ensure that the final desired working depth is achieved. If the infill material turns out to be too tightly compacted after all, make sure the infill material is loosened before starting the treatment.

6.4 ADJUSTING V-BELT TENSION

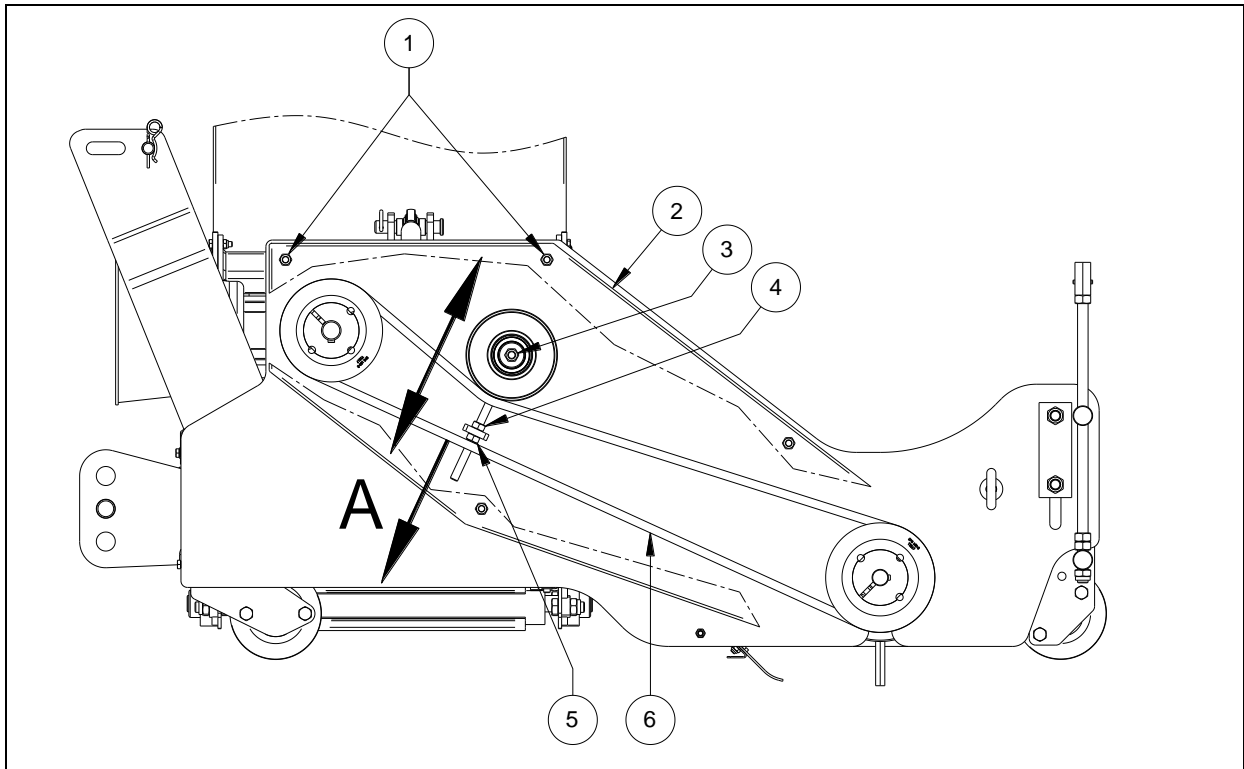


Fig. 12

The Eliminator is equipped with a standard adjustable tensioning roller that keeps the v-belts under tension.

As the machine is used, wear and tear occurs on the drive line.

Because of this it may occur that the v-belts start to slip and must be retensioned.

Adjusting the tensioning roller is done as follows (See Fig 12):

⚠ !! Make sure that the tractor is blocked properly and cannot move of its own accord !!

⚠ !! Make sure that the Eliminator's PTO-axle has been uncoupled !!

1. Remove all nuts 1 and safety cover 2.
2. Loosen nut 3.
3. Loosen nut 4 a couple of turns depending on how much the v-string 6 needs to be tightened
4. Adjust the v-belts tension using nut 5.
5. Check the v-belt tension by pulling point A with a force of 3.8 kg (8.4lbs). The play should be 9 mm (0.35").
6. Tighten nut 4 again.
7. Tighten nut 3.
8. Replace protective cover 2 and install all nuts 1.

6.5 CONVEYOR BELT ALIGNMENT

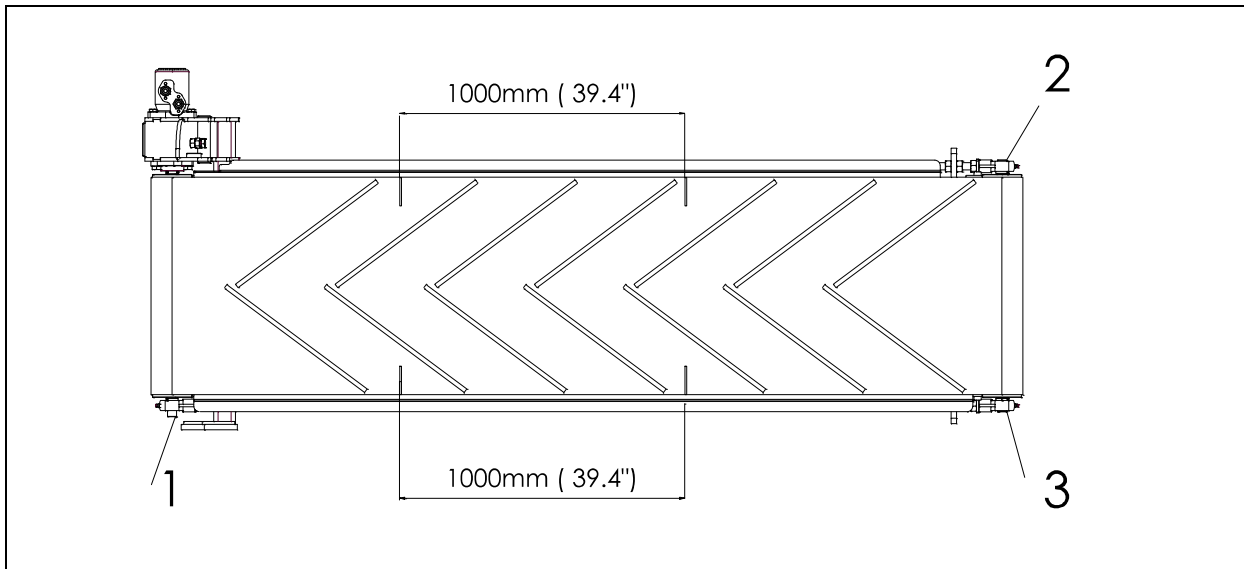


Fig. 13

If the conveyor belt starts slipping or moving sideways after a while or after new installation, please use the instruction as described below for re-tensioning: (See fig. 13)

1. At first check if the rollers and inside of the conveyor belt are clean. If necessary clean the polluted parts.
2. Un-tension the belt and place on both sides of the belt 2 measure marks on a distance of 1000mm (39.4").
3. Adjust the spanners (2+3) on both sides evenly till the distance between the marks has increased to an initial dimension of 1004mm (39.5"). Carry out adjustments on both sides in small steps.
4. Run the conveyor belt only slowly so that any run off tendency can be detected quickly and rectified before any damage occurs.
5. If the belt keeps slipping adjust the spanners evenly till a maximum of 1010mm (39.8")
6. If the conveyor belts tends to move to the left give a little more tension on the left spanner (2). And if the conveyor belt moves to the right give a little more tension to the right spanner (3). Carry out adjustments in small steps.
7. After each adjustment, allow the belt to rotate for at least 10 rotations to position itself to the new alignment before making any further corrections.
8. If the belt is working properly again check if the spanners are securely locked against moving.

7.0 TRANSPORT OF THE ELIMINATOR

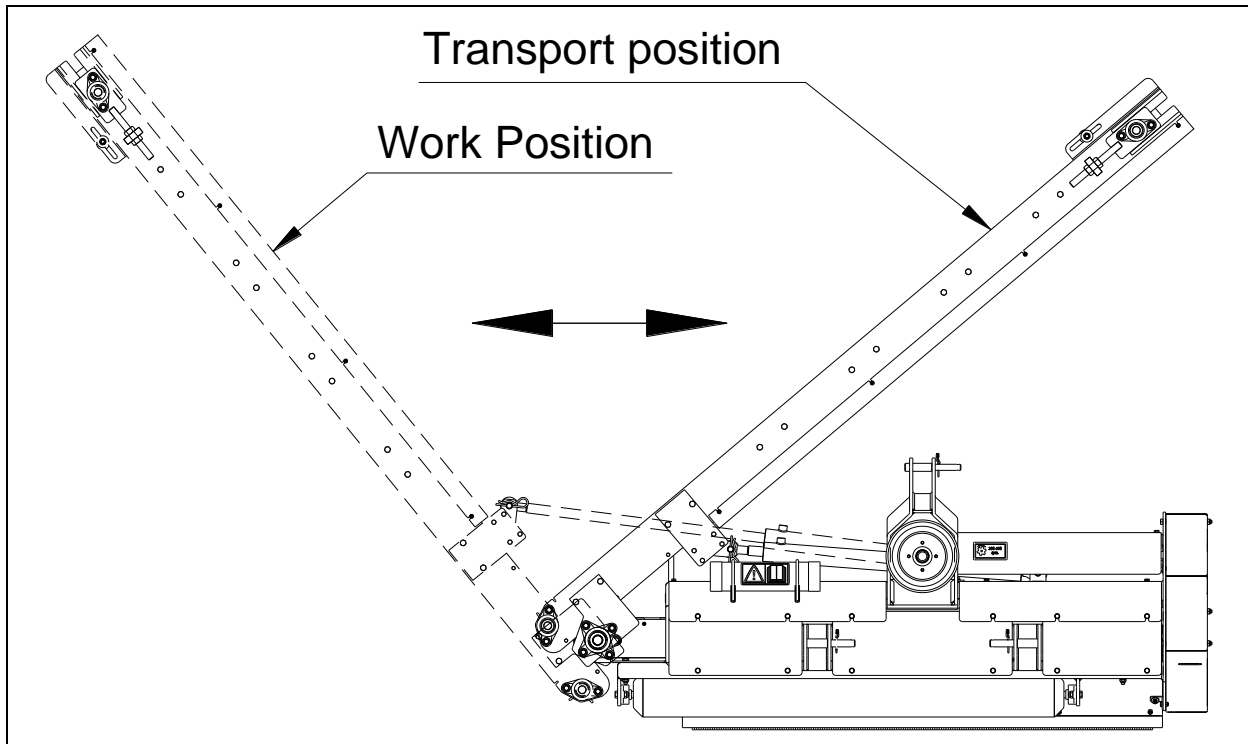


Fig. 14

The user is responsible for the transportation of the Eliminator behind the tractor on the public highways. Check the national laws regarding regulations.

Over open fields, with the machine lifted, the speed must not exceed a maximum of 20 km/hour (12.4 mph), because of the Eliminator's weight.

A higher speed can be dangerous for the driver/bystanders and may even damage the machine.

To transport the machine it must first be put in transport position. This is done by folding up the supply belt so that it hangs above the machine in its entirety. (see fig. 13)

- ⚠ Make sure that the upper topline is connected and under tension in the transport position! See fig. 7**
If not, then serious damage can be done to the machine.
- ⚠ If the machine is lifted off the ground, at least 20% of the tractor's weight must be supported by the front axle.**
- ⚠ Make sure that the supply belt is in the transport position during transport.**
This is done to avoid damage to the machine.

8.0 MAINTENANCE

Time-line	Check point/Greasing point	Method
Before every use.	Check for loose bolts / nuts.	Tighten the loose bolts/nuts with the right torque
	Presence and Legibility of safety stickers. (Fig. 7)	Replace these if not present/damaged.
	Check for hydraulic defects.	If necessary, repair or replace damaged parts.
After first 20 working hours (new or repaired).	Check the roller bearings and the drive line.	If necessary grease roller bearings / If necessary, replace worn parts. Use EP 2 lubrication grease.
	Check for loose bolts / nuts.	Tighten the loose bolts/nuts with the right torque
	Check the tension of the v-belts.	If necessary adjust the tension of the v-belt. (see hfst 6.4)
After every 40 working hours or annually.	Check the roller bearings and the drive line.	If necessary grease roller bearings / If necessary, replace worn parts. Use EP 2 lubrication grease.
	Check the bearing houses.	Lubricate bearing houses / If necessary, replace worn parts.
	Check for loose bolts / nuts.	Tighten the loose bolts/nuts with the right torque
	Check the tension / wear and tear of the v-belt.	Adjust the tension of the v-belt. (see chap. 6.4)
		If necessary, replace v-belt.
	Check the wear and tear of the brush.	If necessary, replace brush.
	Check gear box for oil leakage.	Repair or replace.
	Check oil level in gear box.	If necessary, refill to edge filling opening.
	Check for hydraulic defects.	If necessary, repair or replace damaged parts.
	Check PTO.	Lubricate PTO or if necessary, replace PTO.
	Check tension conveyor belts.	If necessary, increase tension of conveyor belts.
After every 500 hours.	Replace oil gear box.	Remove old oil and fill with new oil to edge filling opening.

9.0 PROBLEM ANALYSES

Problem	Possible Cause	Solution
Not enough infill material is removed.	The brush is not set deep enough.	Increase the depth by adjusting the aft roller.
	Infill material is too tightly compacted.	Loosen the infill material.
	Driving speed is too high.	Reduce driving speed.
	Material too wet.	Wait for better circumstances.
The brush is not turning or not properly.	The v-belt driving the brush are slipping.	Tighten the v-belt as described in chapter 6.4
	Machine is set too deep.	Reduce the machine's depth.
The conveyor belts cannot handle the amount of infill material removed.	Driving speed is too high.	Reduce driving speed.
	Conveyor belts are turning too slowly.	Increase oil flow so conveyor belts speed up.