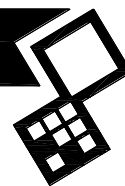
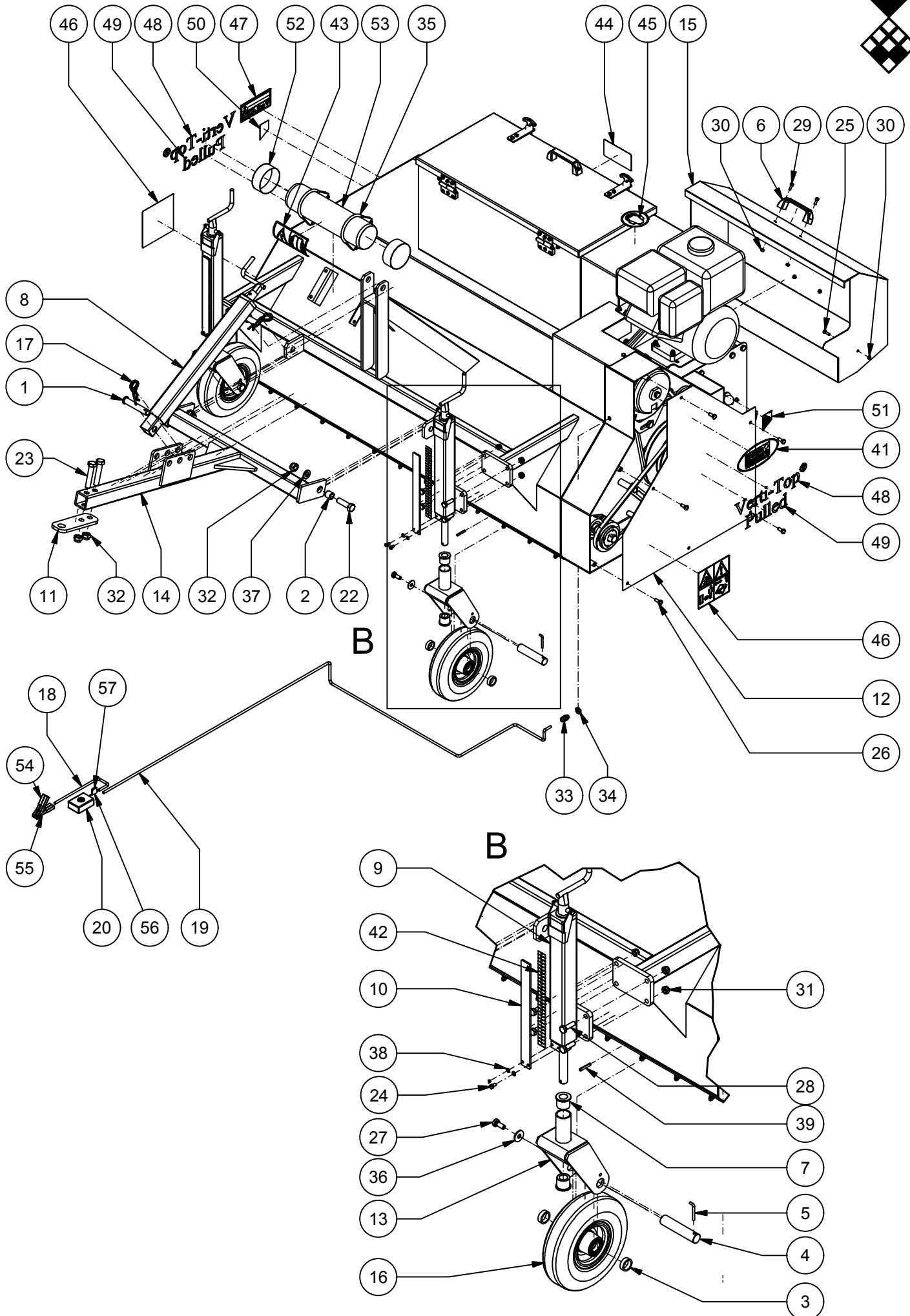


VERTI-TOP TOW BEHIND



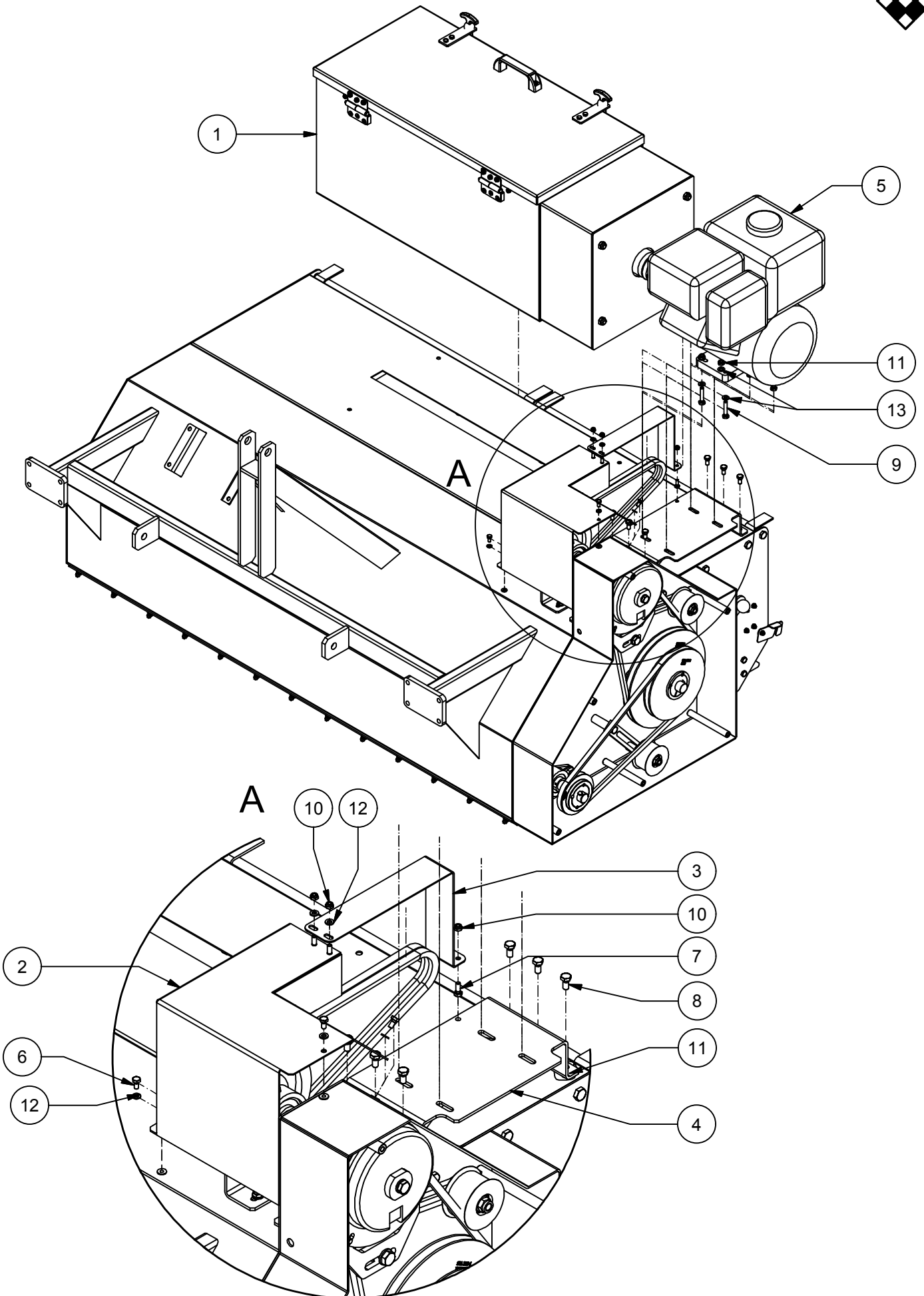
Version: 2201

Redexim-Charterhouse Verti-Top Pulled Pag 01 Code 1330



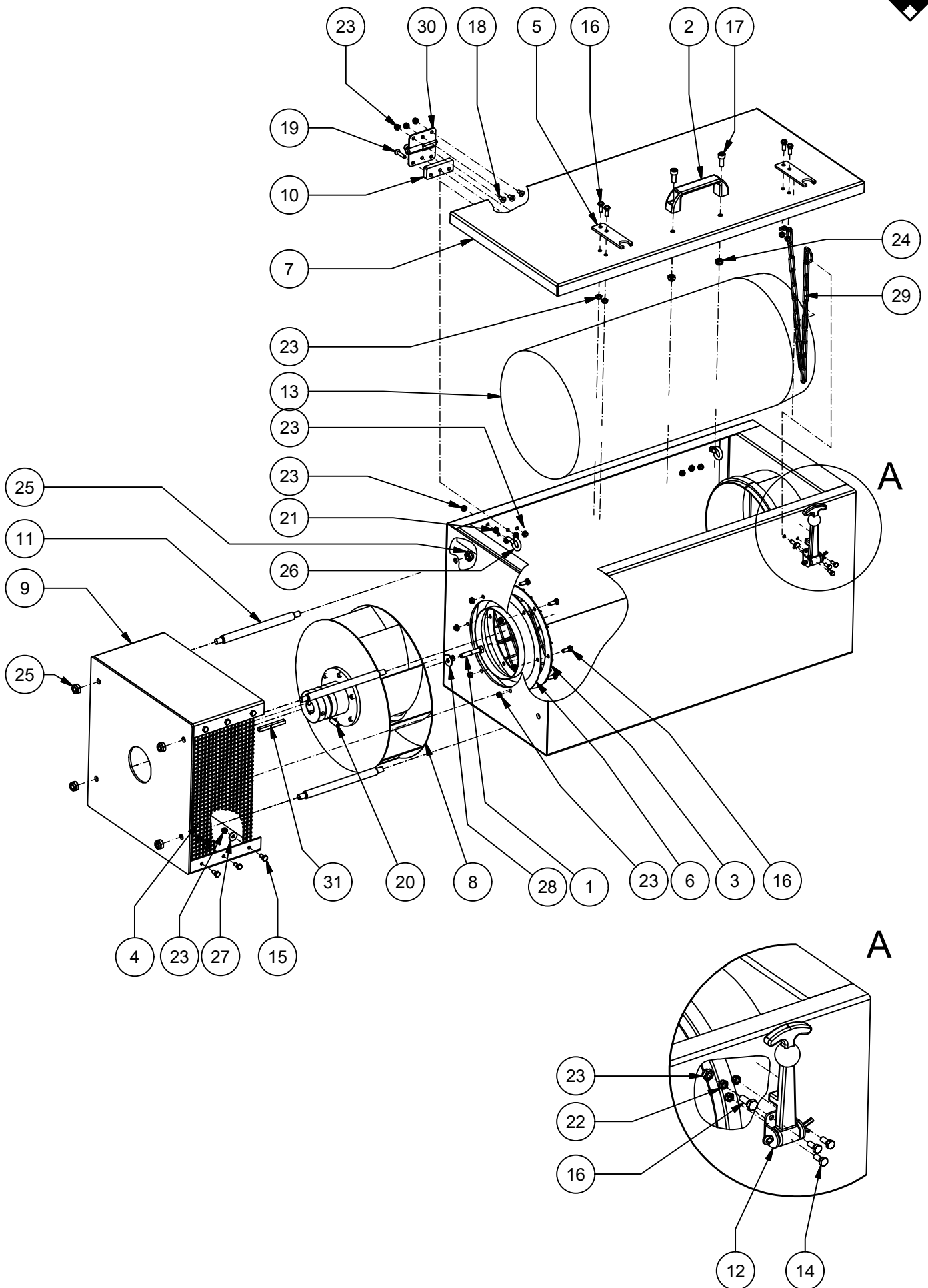
Redexim-Charterhouse Verti-Top Pulled Pag 01 Code 1330

	PART #	DESCRIPTION	REMARKS	QUA
1	2490825	Top Link Pin		2
2	406.160.200	Distance bush		2
3	406.250.100	Distance bush		4
4	416.250.950	Wheel axle		2
5	424.050.570	Wheel shaft pin		2
6	444.151.250	Handle		5
7	444.200.282	Bush		4
8	460.050.633	Jack		1
9	460.504.550	Weldment jack		2
10	464.043.150	Height Indicator Strip		2
11	464.101.800	Pull Eye Plate Bogy SS1600		1
12	468.025.420	Cover plate		1
13	470.082.480	Wheel bracket		2
14	494.520.725	Draw Bar Bogy Verti-Clean		1
15	494.740.324	Weldment Container		2
16	511.255.085	Tire 3.00-4	Complete	2
17	523.051.000	R-Pin 5 Din 11024		2
18	563.079.100	Electrical wire		1
19	563.079.260	Electrical wire		1
20	564.156.000	Switch box		1
22	802.160.550	Bolt DIN 931-1 - M16 x 55		2
23	802.160.800	Bolt DIN 931-1 - M16 x 80		2
24	804.060.120	Bolt DIN 933 - M6 x 12		4
25	804.060.200	Bolt DIN 933 - M6 x 20		2
26	804.080.200	Bolt DIN 933 - M8 x 20		6
27	804.100.250	Bolt DIN 933 - M10 x 25		2
28	804.100.350	Bolt DIN 933 - M10 x 35		8
29	814.060.160	Bolt DIN 912 - M6 x 16		4
30	830.060.060	SL Nut DIN 985 - M6		6
31	830.100.100	SL Nut DIN 985 - M10		8
32	830.160.160	SL Nut DIN 985 - M16		4
33	833.070.250	Cable plug		1
34	836.070.050	Nut for cable plug		1
35	848.901.200	U-bolt complete		2
36	864.100.031	Large Washer DIN 9021 - 10,5		2
37	864.160.030	Washer DIN 125 - M16		2
38	866.060.021	Serrated Lock Washer		4
39	878.060.350	Roll Pin ISO 8752 - 6 x 35 A		2
41	900.260.403	Label Logo		1
42	900.260.414	Decall ruler		2
43	900.280.402	Safety decall manual		1
44	911.280.404	Close Cover		1
45	911.340.410	Safety Decall Noise		1
46	933.280.402	Safety Label		2
47	947.260.200	Decall Verti-Art		1
48	947.260.402	Label Verti-Top		2
49	947.260.403	Label Pulled		2
50	947.260.408	Angle setting label Verti-Top Right		1
51	947.260.410	Angle setting label Verti-Top Left		1
52	991.140.600	Cover Toolbox		2
53	991.143.400	Manual/Toolbox Empty		1
54	568.110.800	Battery Clamp +		1
55	568.110.802	Battery Clamp -		1
56	565.070.300	Fuse holder	From SN C639213	1
57	565.050.202	Fuse 7.5A	From SN C639213	1



Redexim-Charterhouse Verti-Top Pulled Pag 02 Code 1245

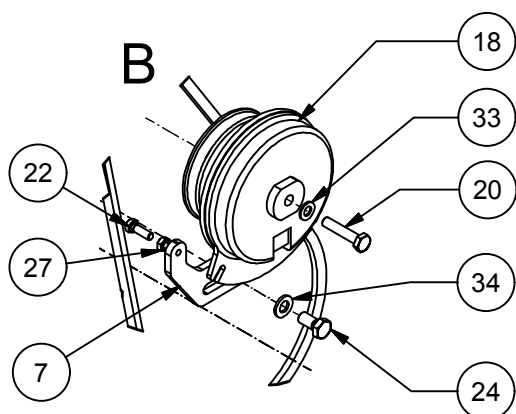
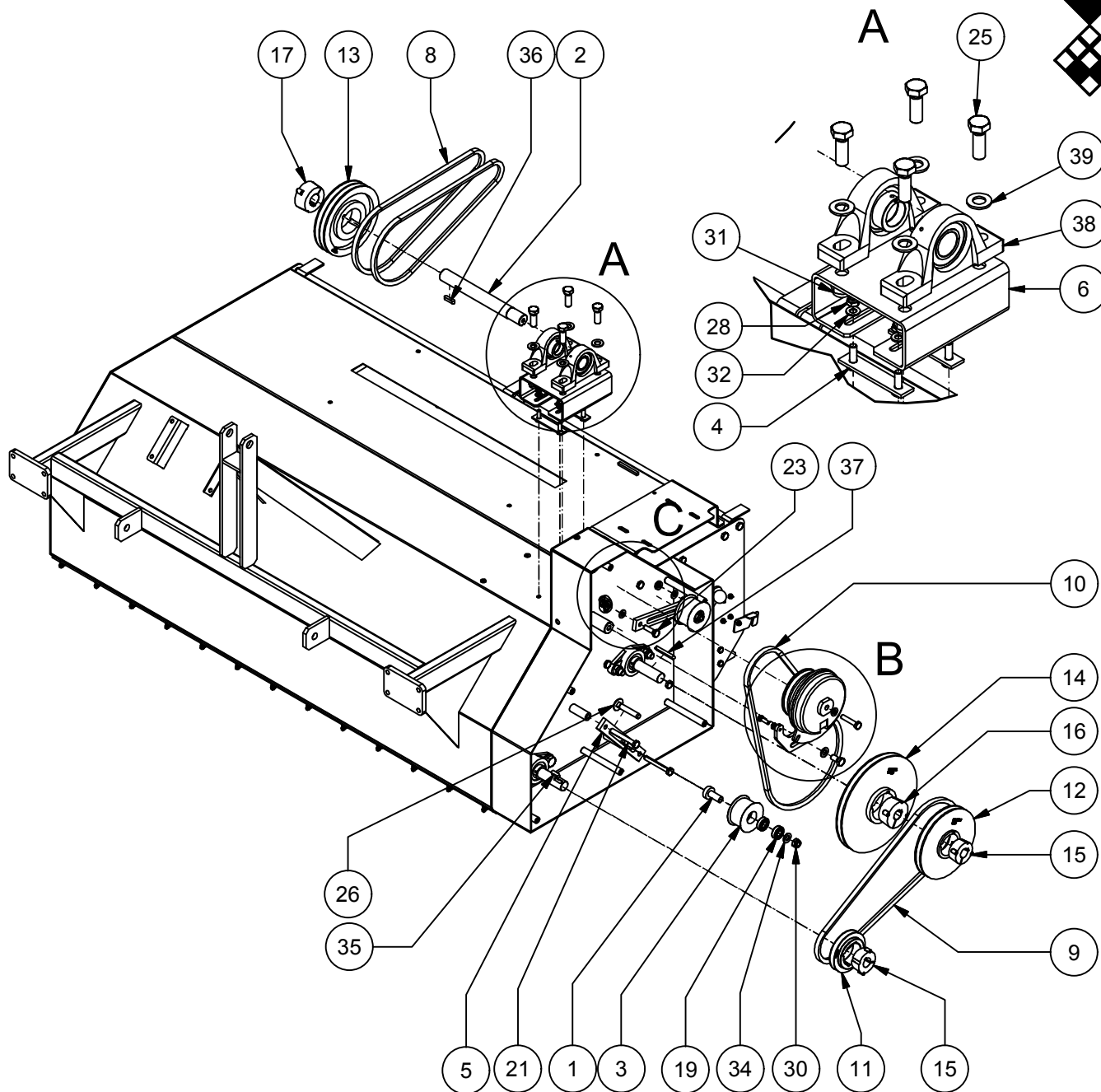
	PART #	DESCRIPTION	REMARKS	QUA
1	247.150.002	Vert-top Pulled Vacuum Unit	See page 03	1
2	456.280.260	Cover top drive		1
3	468.026.150	Cover plate		1
4	468.044.570	Bracket for motor		1
5	672.290.376	Briggs and Stratton BenS 6.5PK	Till serial number: C001213 (shaft Ø19.05(3/4"))	1
5	672.290.377	Briggs and Stratton BenS 6.5PK 1 Inch axle	From serial number: C001213 (shaft Ø25.4(1"))	1
6	804.060.120	Bolt DIN 933 - M6 x 12		4
7	804.060.160	Bolt DIN 933 - M6 x 16		1
8	804.080.160	Bolt DIN 933 - M8 x 16		6
9	804.080.400	Bolt DIN 933 - M8 x 40		4
10	830.060.060	SL Nut DIN 985 - M6		1
11	830.080.080	SL Nut DIN 985 - M8		10
12	864.060.030	Washer DIN 125 - M6		6
13	864.080.030	Washer DIN 125 - M8		4



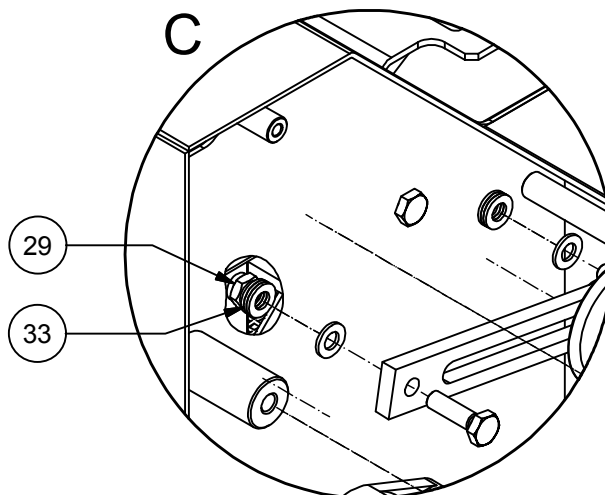
Redexim Veri-Top Pulled Pag 03 Code 1249

	PART #	DESCRIPTION	REMARKS	QUA
1	808.080.450	Hex Bolt 5/16-24 UNF - 1,75		1
2	444.151.250	Handle		1
3	458.022.150	Intake Protection		1
4	458.324.167	Mesh cover		1
5	464.041.000	Latch for rubber lock		2
6	468.012.150	Flange		1
7	468.027.990	Cover vacuum unit		1
8	470.315.120	Impeller assembly	Till serial no: C001213 (shaft Ø19.05 (3/4"))	1
	470.315.122	Impeller assembly Ø25.4	From serial no: C001213 (shaft Ø25.4 (1"))	1
9	470.340.340	Cover fan		1
10	472.010.650	Plate for hinge		2
11	472.152.050	Stud long		4
12	590.650.000	Bracket kapsluiting		2
13	592.265.585	Dust bag		1
14	804.050.120	Bolt DIN 933 - M5 x 12		6
15	804.060.120	Bolt DIN 933 - M6 x 12		6
16	804.060.160	Bolt DIN 933 - M6 x 16		11
17	814.080.200	Bolt DIN 912 - M8 x 20		2
18	816.060.120	CSK Screw DIN 7991 - M6 x 12		6
19	816.060.250	CSK Screw DIN 7991 - M6 x 25		6
20	818.080.250	Set screw DIN 913 - M8 x 25		2
21	826.060.060	Nut DIN 934 - M6		4
22	830.050.050	SL Nut DIN 985 - M5		6
23	830.060.060	SL Nut DIN 985 - M6		33
24	830.080.080	SL Nut DIN 985 - M8		2
25	830.100.100	SL Nut DIN 985 - M10		8
26	854.060.600	Cup hook M6		4
27	864.060.021	Large Washer DIN 9021 - 6,4		6
28	864.080.031	Large Washer DIN 9021 - 8,4		1
29	899.033.700	Chain		1
30	899.100.630	Hinge Plate	Complete	2
31	884.060.632	Key 1/4"x1/4"x63mm		1

Redexim-Charterhouse Verti/Top Pulled Pag 04 Code 1330

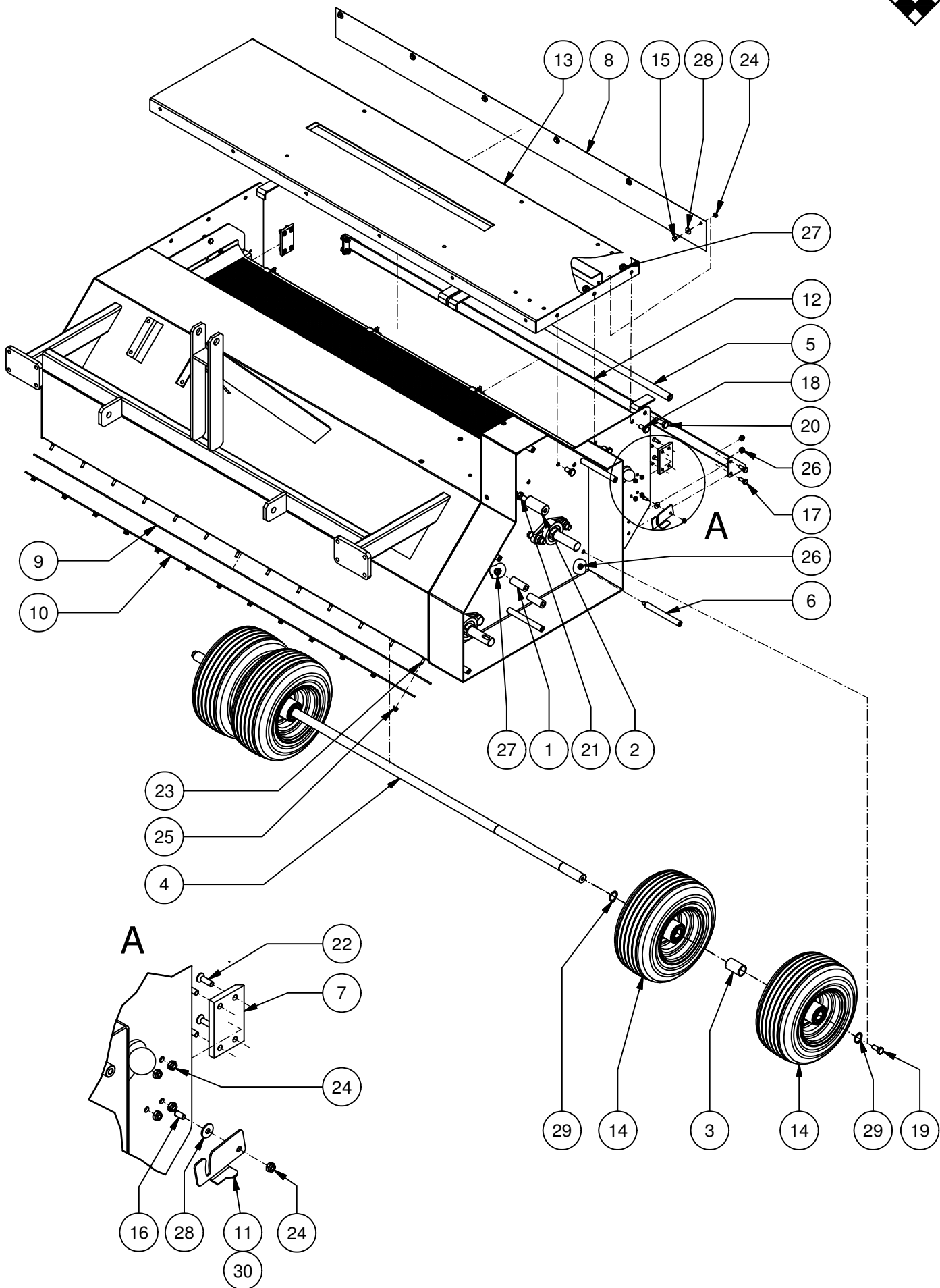


Torque 67-75Nm
(50-55 ft.lb.)



Redexim-Charterhouse Verti/Top Pulled Pag 04 Code 1330

	PART #	DESCRIPTION	REMARKS	QUA
1	404.130.460	Distance bus		2
2	414.303.430	Drive shaft		1
3	428.320.780	Idler		2
4	464.041.002	Weldment mounting strip		2
5	464.102.100	Strip for Idler		2
6	468.043.592	Bearing bracket Ø14.5		1
7	468.081.540	Coupling bracket		1
8	642.131.030	V-belt XPA1030		2
9	642.131.207	V-belt XPA1207		1
10	642.131.320	V-belt XPA1320		1
11	646.011.181	Pulley SPA 100-1 T1610		1
12	646.011.800	Pulley SPA 180-1, TL1610		1
13	646.011.802	Pulley SPA 180-2 T2012		1
14	646.012.500	Pulley SPA 250-1, TL2012		1
15	648.251.610	Taperlock 1610 - 25mm		2
16	648.252.012	Taperlock Bush 2012 - 25mm		1
17	648.302.012	Taperlock Bush 2012 - 30mm		1
18	666.280.900	Electric coupling WE I-5218-33 B		1
19	713.150.090	Bearing 6002-2RS		4
20	802.100.500	Bolt DIN 931-1 - M10 x 50		1
21	802.100.800	Bolt DIN 931-1 - M10 x 80		2
22	804.080.250	Bolt DIN 933 - M8 x 25		8
23	804.100.350	Bolt DIN 933 - M10 x 35		2
24	804.120.250	Bolt DIN 933 - M12 x 25		1
25	804.140.400	Bolt DIN 933 - M14 x 40	From SN C639213	4
	804.160.400	Bolt DIN 933 - M16 x 40	Till SN C639213	4
26	820.120.700	MH Bolt DIN 603 - M12 x 70		2
27	826.080.080	Nut DIN 934 - M8		2
28	830.080.080	SL Nut DIN 985 - M8		5
29	830.100.100	SL Nut DIN 985 - M10		4
30	830.120.120	SL Nut DIN 985 - M12		2
31	830.140.140	SL Nut DIN 985 - M14	From SN C639213	4
29	830.160.160	SL Nut DIN 985 - M16		4
	830.160.160	SL Nut DIN 985 - M16	Till SN C639213	4
32	864.080.030	Washer DIN 125 - M8		5
33	864.100.030	Washer DIN 125 - M10		9
34	864.120.030	Washer DIN 125 - M12		3
35	884.080.250	Key DIN 6885 - A 8 x 7 x 25		1
36	884.080.320	Key DIN 6885 - A 8 x 7 x 32		1
37	884.080.630	Key DIN 6885 - A 8 x 7 x 63		1
38	743.300.470	Bearing PASE30-N	From SN C639213	2
	743.300.420	Bearing UCP 206	Till SN C639213	2
39	864.140.030	Washer DIN 125 - M14		4

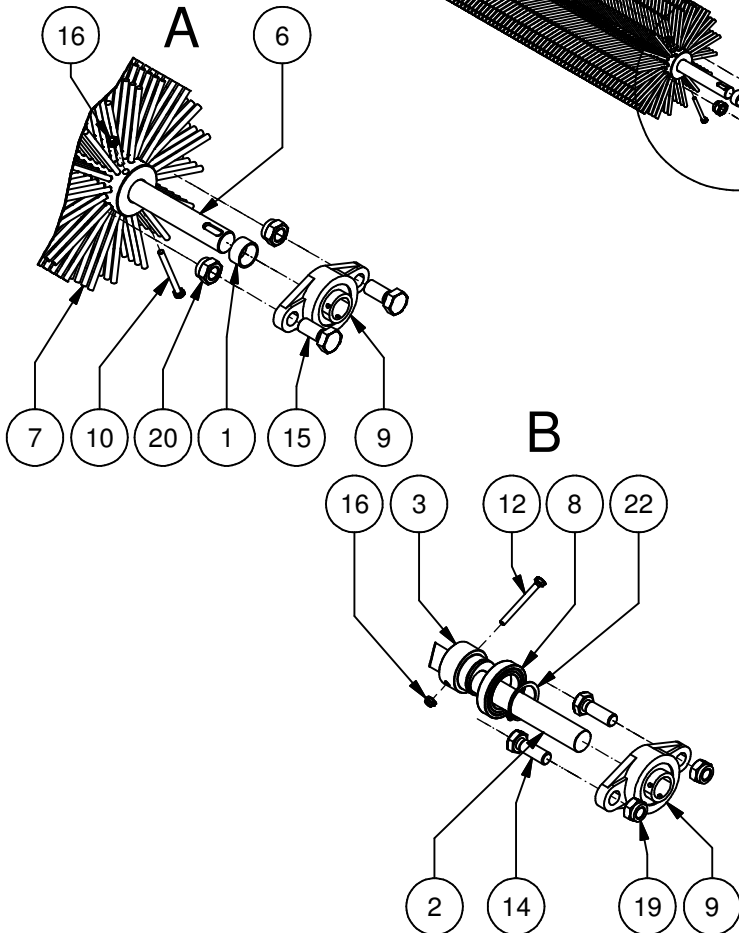
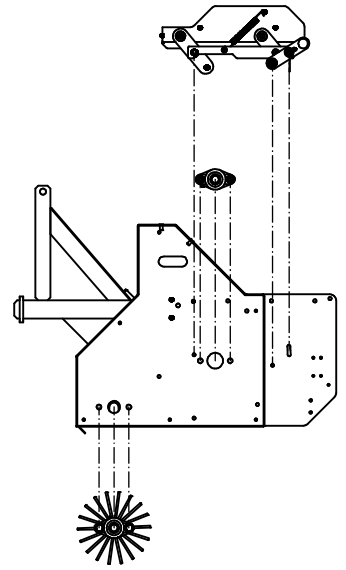
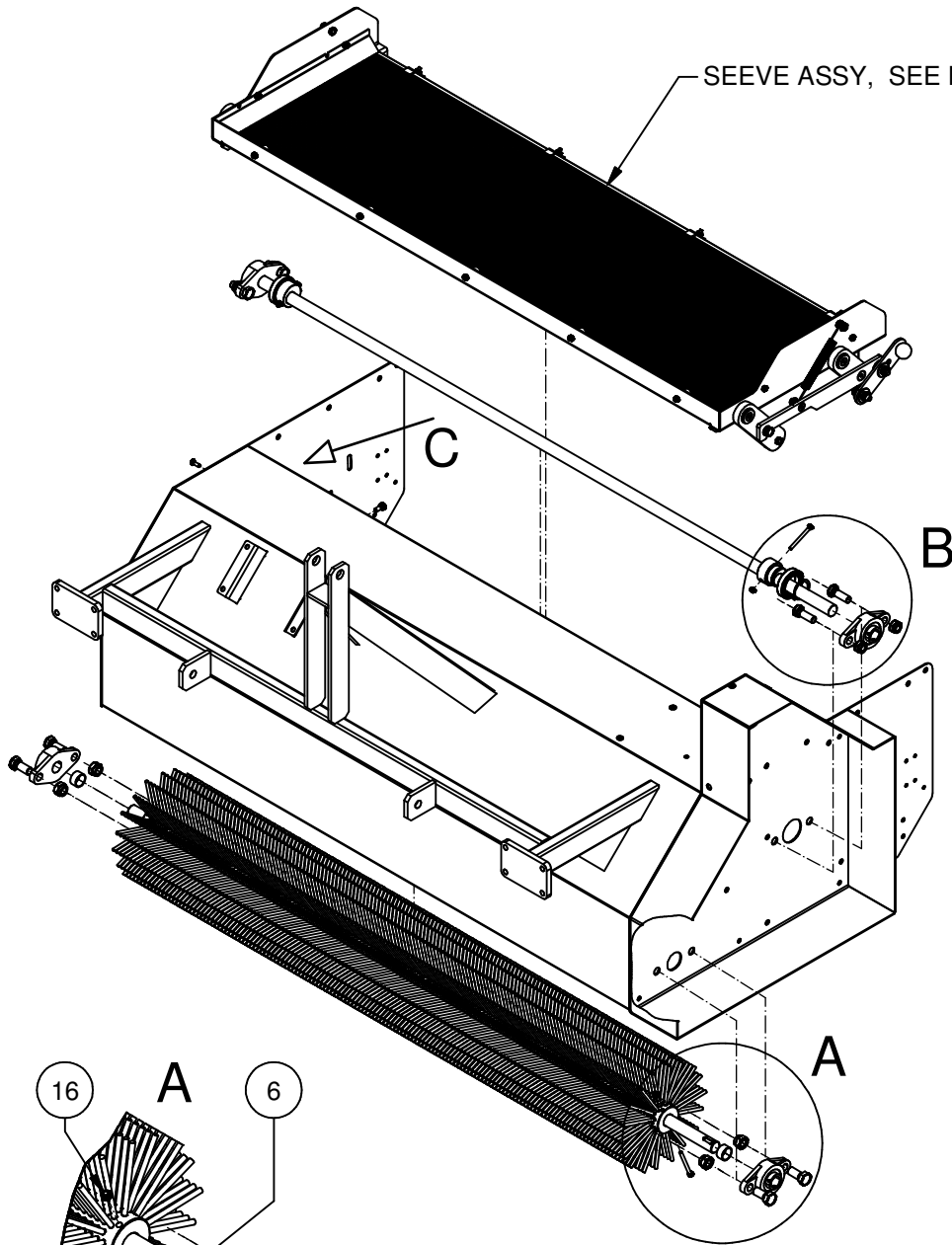


Redexim-Charterhouse Verti-Top Pulled Pag 05 Code 1009

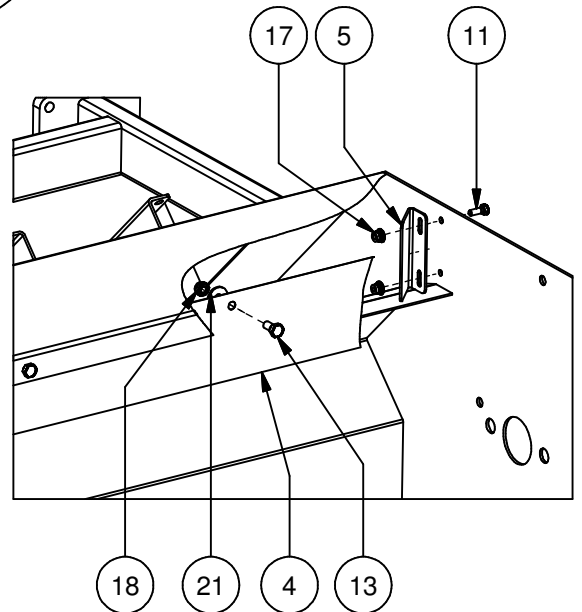
	PART #	DESCRIPTION	REMARKS	QUA
1	406.100.532	Distance bush		2
2	406.120.650	Distance bus		1
3	406.250.500	Distance Bush		2
4	414.209.150	Wheel shaft		1
5	414.209.152	Shaft		1
6	416.151.360	Cover stud		6
7	444.080.800	Fill plate		2
8	446.019.440	Top rubber		1
9	446.031.500	Bottom rubber		1
10	464.039.152	Strip bottom rubber		1
11	468.020.804	Left lock for container		1
12	468.049.150	Container holder		1
13	494.149.350	Top Cover		1
14	511.325.135	AGRI 31 - 13x5.00-6 with bearing		4
15	804.060.140	Bolt DIN 933 - M6 x 14		6
16	804.060.150	Bolt DIN 933 - M6 x 15		2
17	804.080.200	Bolt DIN 933 - M8 x 20		4
18	804.100.200	Bolt DIN 933 - M10 x 20		6
19	804.100.250	Bolt DIN 933 - M10 x 25		2
20	804.100.350	Bolt DIN 933 - M10 x 35		2
21	804.120.250	Bolt DIN 933 - M12 x 25		1
22	816.060.200	CSK Screw DIN 7991 - M6 x 20		8
23	820.060.200	MH Bolt DIN 603 - M6 x 20		13
24	830.060.060	SL Nut DIN 985 - M6		16
25	830.060.065	SL. Nut with Washer DIN 6926 - M6		13
26	830.080.080	SL Nut DIN 985 - M8		10
27	830.100.100	SL Nut DIN 985 - M10		7
28	864.060.021	Large Washer DIN 9021 - 6,4		8
29	870.025.120	Cir CLip DIN 471 - 25 x 1,2		4
30	468.020.802	Right lock for container		1



SEEVE ASSY, SEE NEXT PAGE!



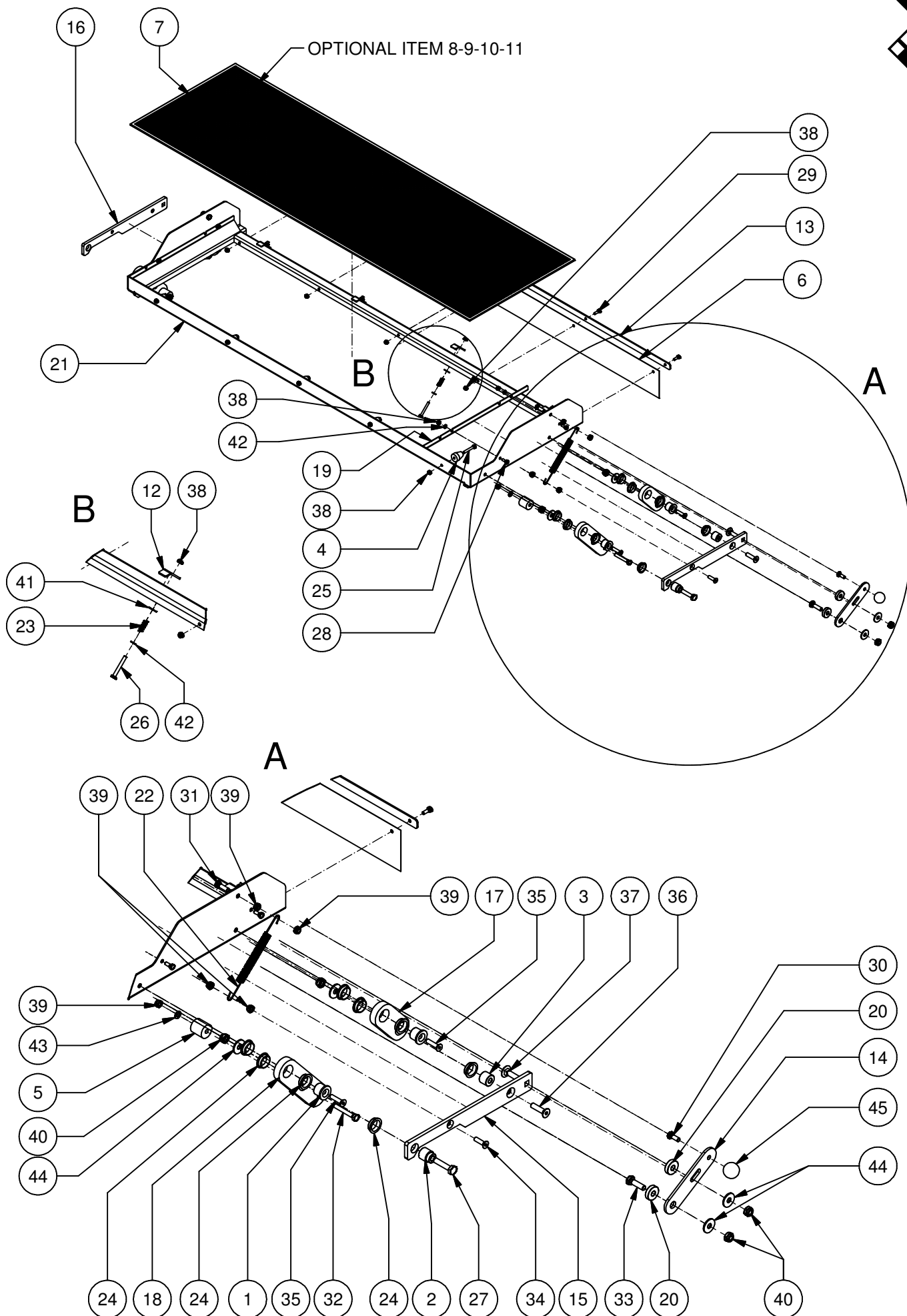
VIEW C



Redexim-Charterhouse Verti-Top Pulled Pag 06 Code 1009

	PART #	DESCRIPTION	REMARKS	QUA
1	406.250.152	Distance Bush		2
2	414.209.162	Shaft For Excenter		1
3	444.400.500	Excenter bush		2
4	446.001.440	Top Rubber		1
5	468.021.000	Output Dividing Plate		2
6	486.240.916 - S001	Shaft for brush		1
7	486.240.916 - S002	Brush core		1
8	713.400.120	Bearing 6908 2RS		2
9	742.250.360	Bearing UCFL 205		4
10	802.060.700	Bolt DIN 931-1 - M6 x 70		2
11	804.060.160	Bolt DIN 933 - M6 x 16		4
12	804.060.600	Bolt DIN 933 - M6 x 60		2
13	804.080.160	Bolt DIN 933 - M8 x 16		6
14	804.140.400	Bolt DIN 933 - M14 x 40		4
15	804.160.350	Bolt DIN 933 - M16 x 35		4
16	830.060.060	SL Nut DIN 985 - M6		4
17	830.060.065	SL. Nut with Washer DIN 6926 - M6		4
18	830.080.080	SL Nut DIN 985 - M8		6
19	830.140.140	SL Nut DIN 985 - M14		4
20	830.160.160	SL Nut DIN 985 - M16		4
21	864.080.031	Large Washer DIN 9021 - 8,4		6
22	870.400.170	Cir Clip D=40		2

Redexim-Charterhouse Verti-Top Pulled Pag 07 Code 1009



Redexim-Charterhouse Verti-Top Pulled Pag 07 Code 1009

	PART #	DESCRIPTION	REMARKS	QUA
1	404.090.220	Bush		4
2	404.102.740	Distance bush		2
3	406.100.190	Distance bush		2
4	444.065.300	Lock plug		5
5	444.080.300	Bush		2
6	446.139.100	Rubber strip		1
7	458.441.430	Seeve 5x5 mm	Standard with machine	1
8	458.441.431	Seeve 3.2x3.2 mm	Optional	1
9	458.441.432	Seeve 4x4 mm	Optional	1
10	458.441.433	Seeve 5.5x5.5 mm	Optional	1
11	458.441.434	Seeve 6x6 mm	Optional	1
12	464.030.500	Lock strip		4
13	464.039.138	Clamp Strip		1
14	464.051.600	Strip		2
15	464.083.500	Connecting strip		1
16	464.083.502	Connecting strip		1
17	464.151.200	Strip short		2
18	464.151.800	Strip long		2
19	468.024.400	Rubber Deflector		2
20	472.080.300	Ring		4
21	494.144.470	Welding assembly frame sieve		1
22	575.021.450	Tension Spring		2
23	576.020.250	Compression Spring		4
24	732.240.080	Bearing Bush		16
25	802.060.400	Bolt DIN 931-1 - M6 x 40		5
26	802.060.450	Bolt DIN 931-1 - M6 x 45		4
27	802.100.450	Bolt DIN 931-1 - M10 x 45		2
28	804.060.150	Bolt DIN 933 - M6 x 15		4
29	804.060.160	Bolt DIN 933 - M6 x 16		5
30	804.080.200	Bolt DIN 933 - M8 x 20		2
31	804.080.250	Bolt DIN 933 - M8 x 25		2
32	804.080.550	Bolt DIN 933 - M8 x 55		2
33	804.100.350	Bolt DIN 933 - M10 x 35		2
34	816.080.300	CSK Screw DIN 7991 - M8 x 30		2
35	816.080.350	CSK Screw DIN 7991 - M8 x 35		4
36	816.100.400	CSK Screw DIN 7991 - M10 x 40		2
37	820.100.400	MH Bolt DIN 603 - M10 x 40		2
38	830.060.060	SL Nut DIN 985 - M6		18
39	830.080.080	SL Nut DIN 985 - M8		10
40	830.100.100	SL Nut DIN 985 - M10		8
41	864.060.021	Large Washer DIN 9021 - 6,4		4
42	864.060.030	Washer DIN 125 - M6		8
43	864.080.030	Washer DIN 125 - M8		2
44	864.100.031	Large Washer DIN 9021 - 10,5		8
45	892.060.300	Ball Knob Din 319 M8x32		2