

# **VERTI-TOP 1200-1800**



Version: 2201



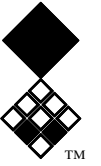
Kwekerijweg 8 | 3709JA | Zeist | The Netherlands |

T: +31 (0)306 933 227

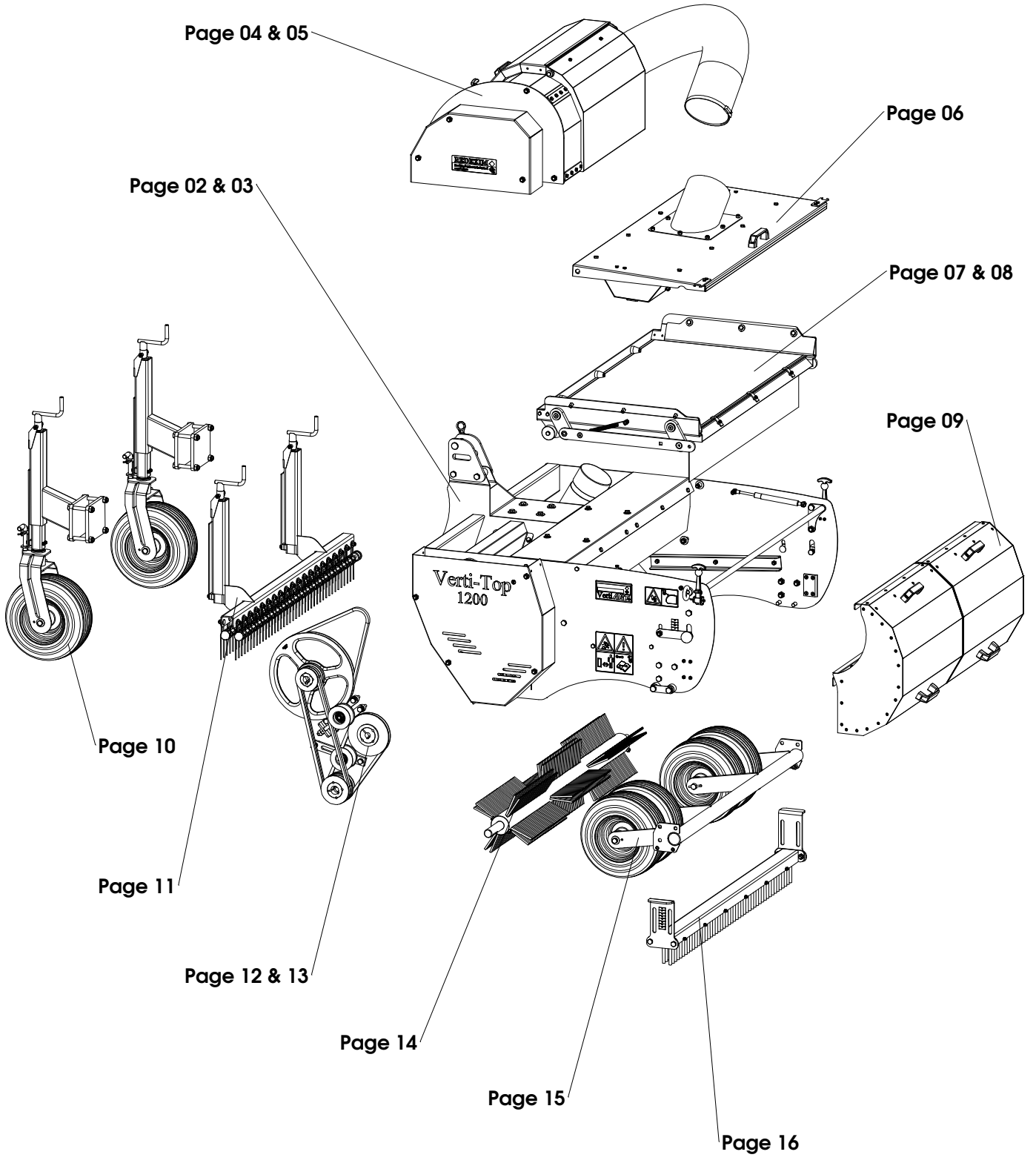
E: [redexim@redexim.com](mailto:redexim@redexim.com)

W: [www.redexim.com](http://www.redexim.com)

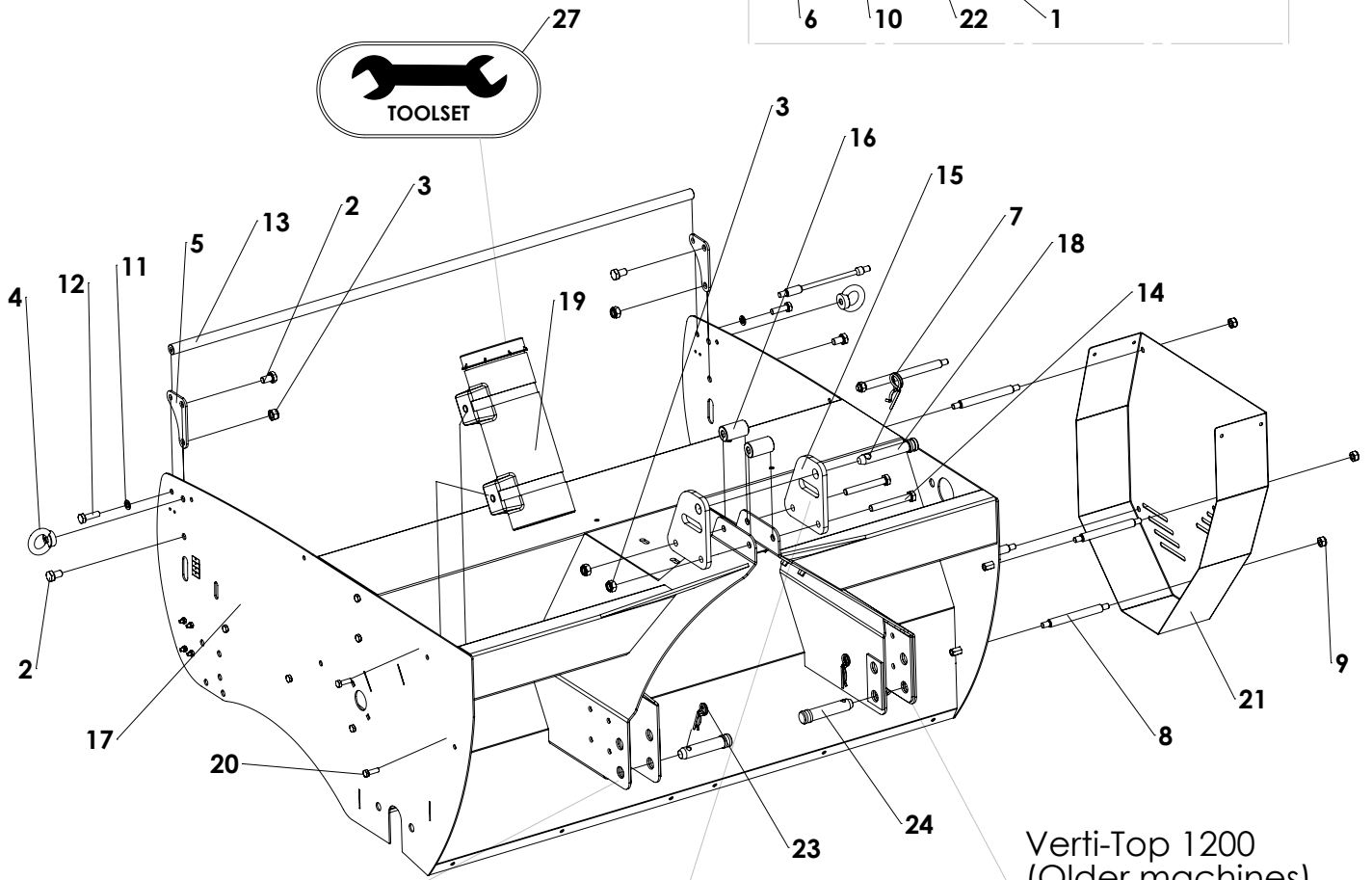
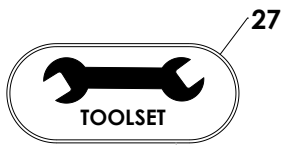
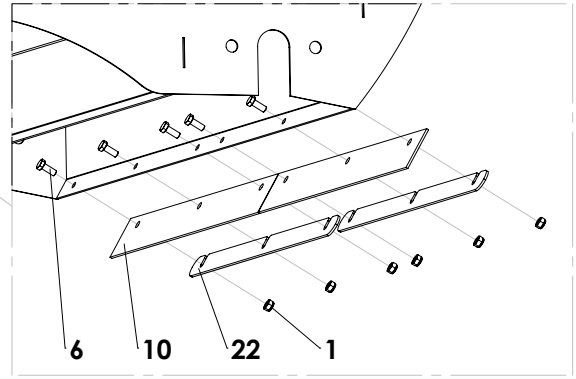
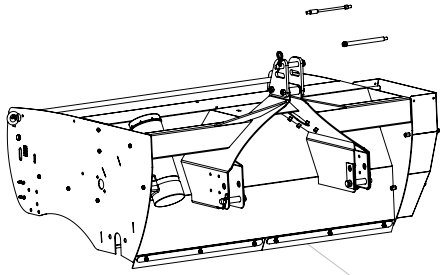




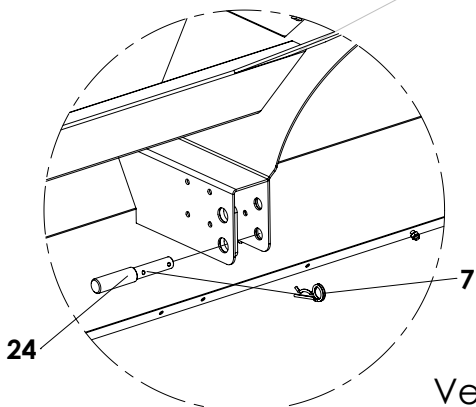
TM



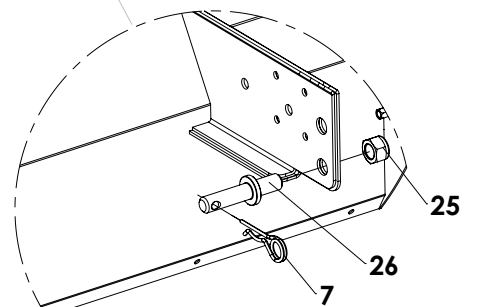
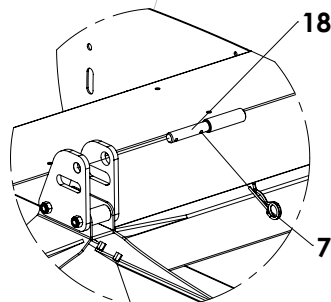
Decalls Page 17



Verti-Top 1200  
(Older machines)

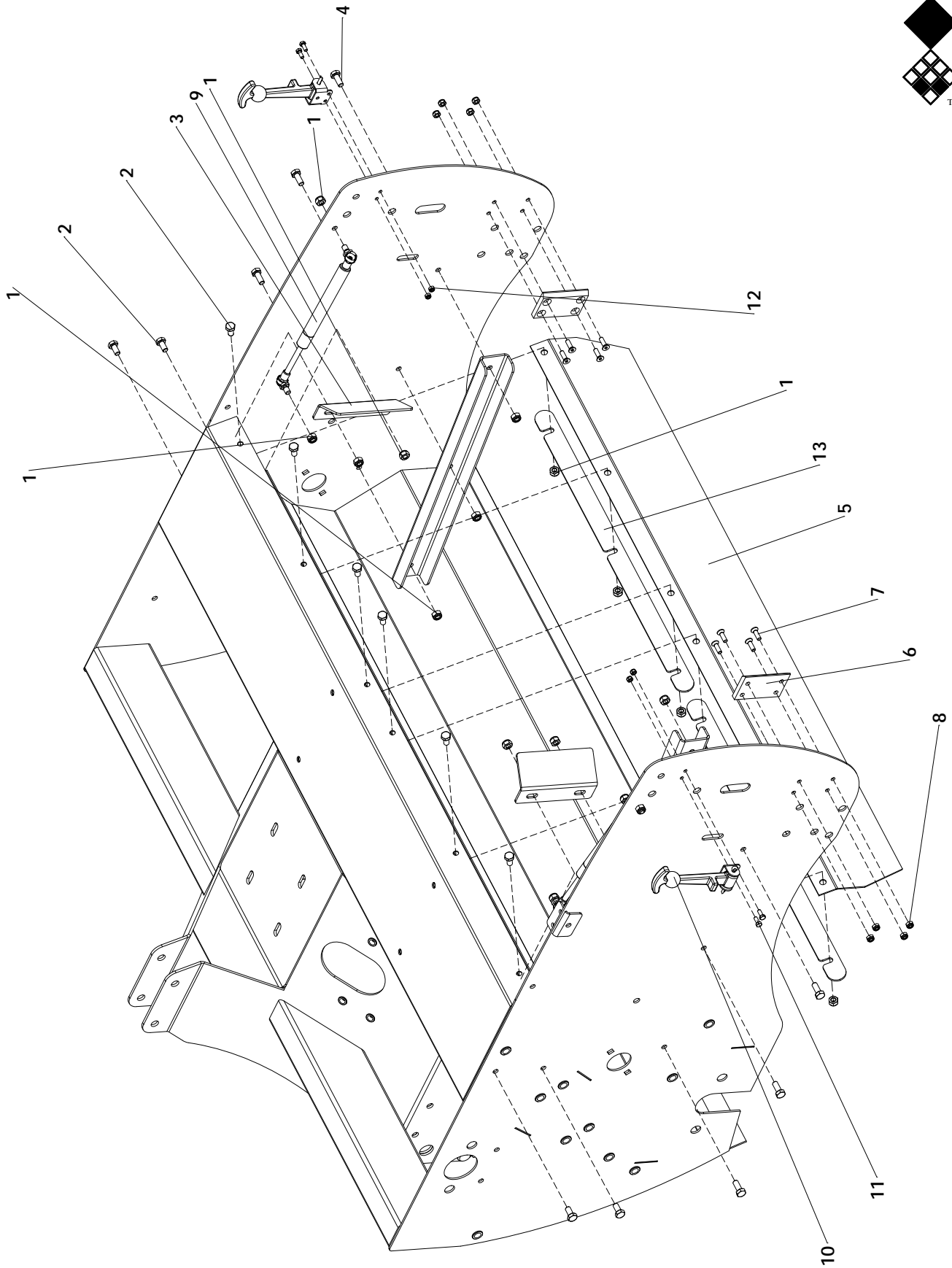
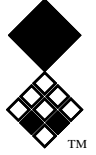


Verti-Top 1800

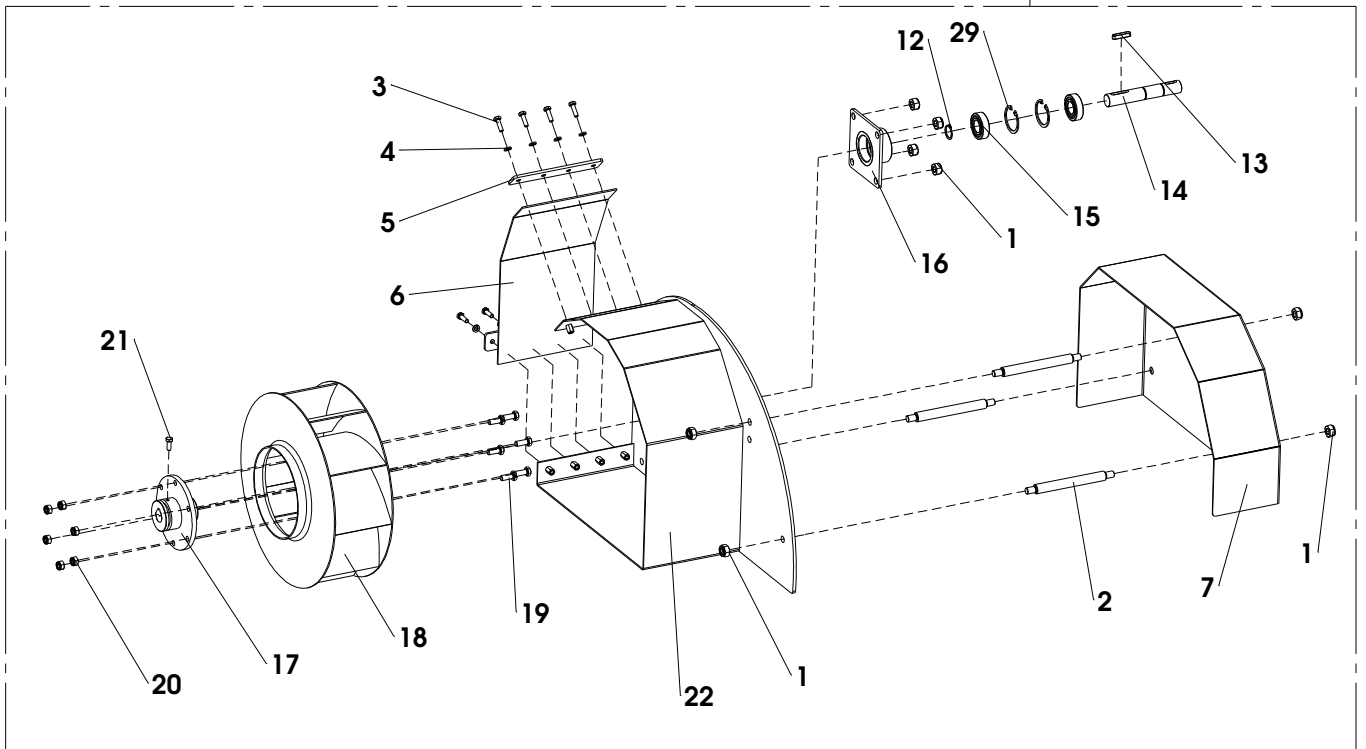
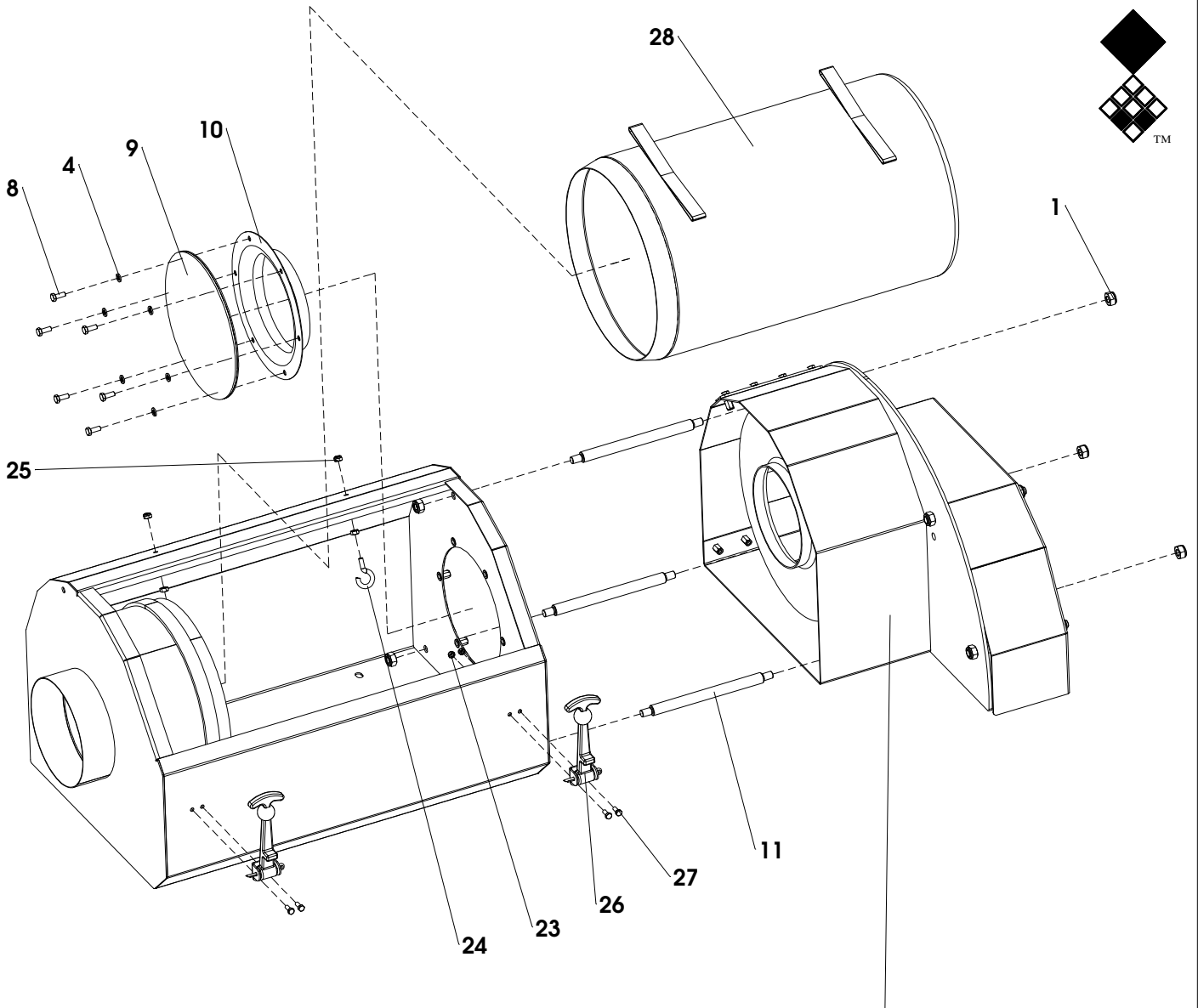
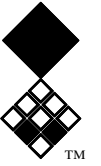


Check on machine for  
correct lower 3-point pins

ITEM	PART NUMBER	DESCRIPTION	REMARKS	QUA VT 1200	QUA VT 1800
1	830.080.080	Self Lock Nut M8 - ISO 10511		6	9
2	804.120.200	Bolt M12 x 20 - ISO 4017		4	4
3	830.120.120	Self Lock Nut M12 - ISO 10511		4	4
4	822.120.360	Lifting Eye Nut M12 - DIN 582		2	2
5	468.040.652	Triangular bracket		2	2
6	804.080.200	Bolt M8 x 20 - ISO 4017		6	9
7	523.051.000	R-clip Round 5, DIN 11024		3	3
8	472.151.500	Stud L=150		4	4
9	830.100.100	Self Lock Nut M10 - ISO 10511		4	4
10	446.035.980	Rubber strip L=598		2	3
11	866.100.020	Spring Washer M10 - DIN 127		2	2
12	804.100.350	Bolt M10 x 35 - ISO 4017		2	2
13	414.209.120	Reinforcement Bar Ø20 L=1192	Verti-Top 1200	1	0
	414.209.180	Reinforcement Bar Ø20 L=1792	Verti-Top 1800	0	1
14	802.120.900	Bolt M12 x 90 - ISO 4014		2	2
15	468.101.502	Top 3-point plate Ø20		2	2
16	406.120.500	Distance bush Ø12/Ø30 L=50		2	2
17	494.124.121	Main frame VT1200	Verti-Top 1200	1	0
	494.131.180	Main frame VT 1800	Verti-Top 1800	0	1
18	521.191.120	Top Link Pin	Verti-Top 1200	1	0
	521.191.600	Top link pin os	Verti-Top 1800	0	1
19	444.803.100	Toolbox Complete		1	1
20	804.080.250	Bolt M8 x 25 - ISO 4017		2	2
21	468.025.250	Safety cover		1	1
22	464.035.800	Clamp strip L=580		2	3
23	523.030.750	R-Clip Round 3, DIN 11024	Verti-Top 1200	2	0
24	521.221.120	Pin for 3-point	Verti-Top 1200	2	0
	521.221.600	3-point pin	Verti-Top 1800	0	2
25	830.220.220	Self Lock Nut M22	Verti-Top 1200 (older machine)	2	0
26	2490881	Bottom 3-Point Pin	Verti-Top 1200 (older machine)	2	0
27	468.083.060	Toolset		1	1

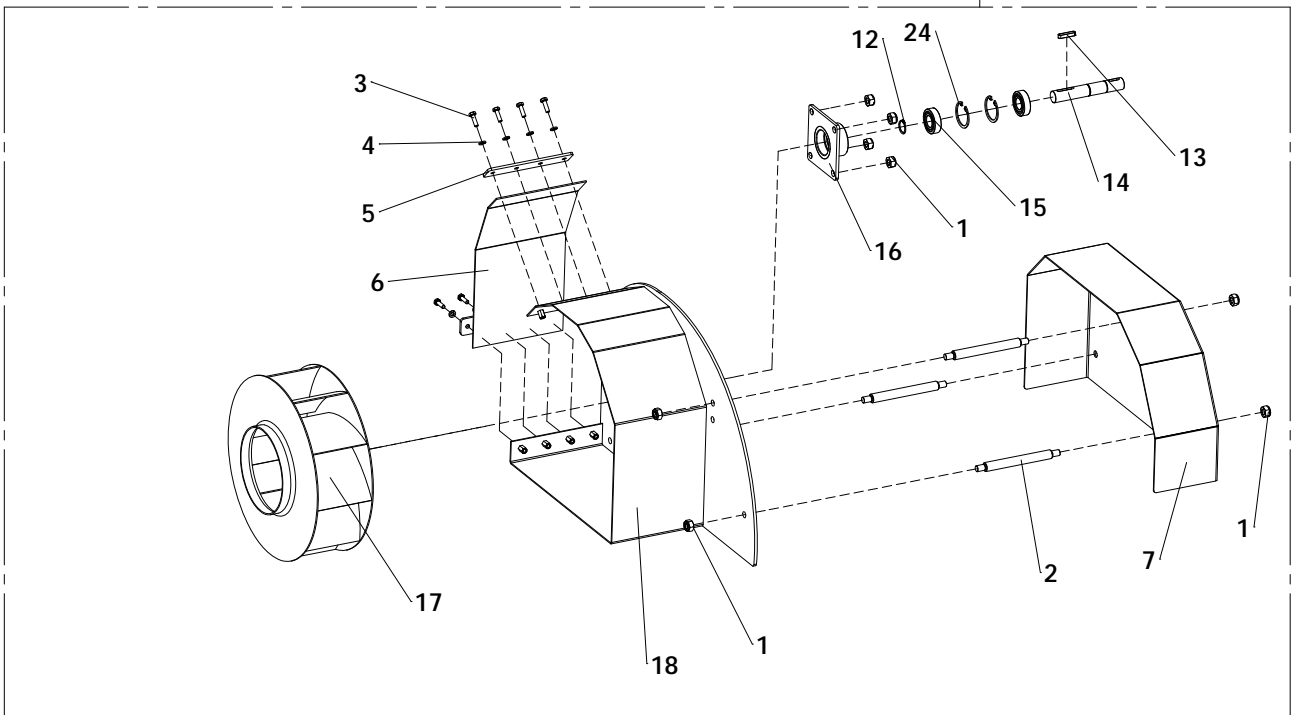
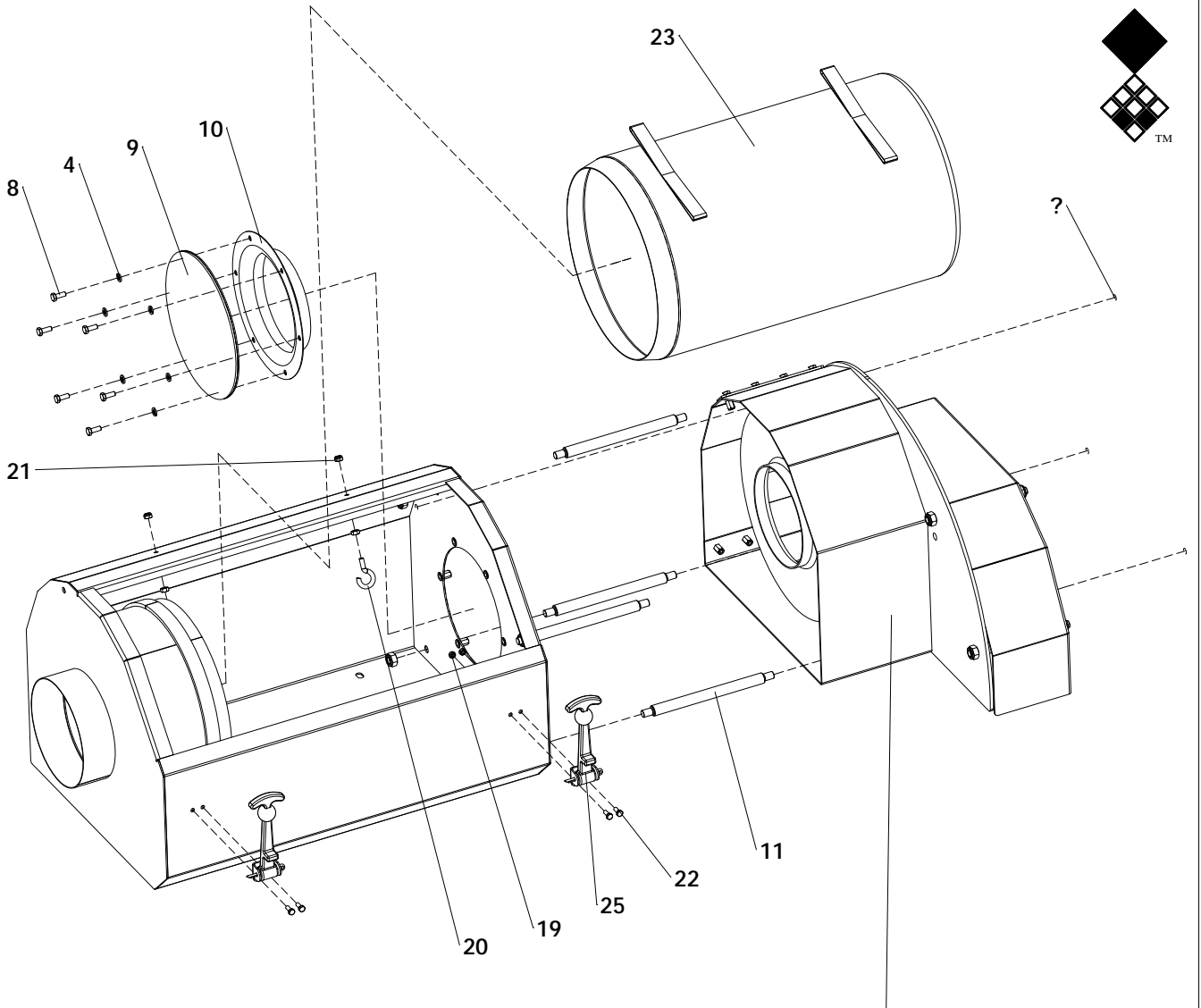


ITEM	PART NUMBER	DESCRIPTION	REMARKS	QUA VT 1200	QUA VT 1800
1	830.080.080	Self Lock Nut M8 - ISO 10511		20	23
2	804.080.160	Bolt M8 x 16 - ISO 4017		10	13
3	468.031.350	Material divider		2	2
4	804.080.200	Bolt M8 x 20 - ISO 4017		6	6
5	446.029.110	Rubber strip L=1140	Verti-Top 1200	1	0
	446.029.170	Rubber strip L=1740	Verti-Top 1800	0	1
6	444.080.800	Fill plate		2	2
7	816.060.200	Bolt M6 x 20 - DIN 7991		8	8
8	830.060.060	Self Lock Nut M6 - ISO 10511		8	8
9	571.183.250	Gas strut L=325/stroke=105 F=350N		2	2
10	590.650.000	Rubber lock assy		2	2
11	804.050.120	Bolt M5 x 12 - ISO 4017		4	4
12	830.050.050	Self Lock Nut M5 - ISO 10511		4	4
13	464.035.800	Clamp strip L=580		2	3

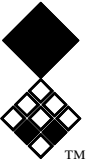
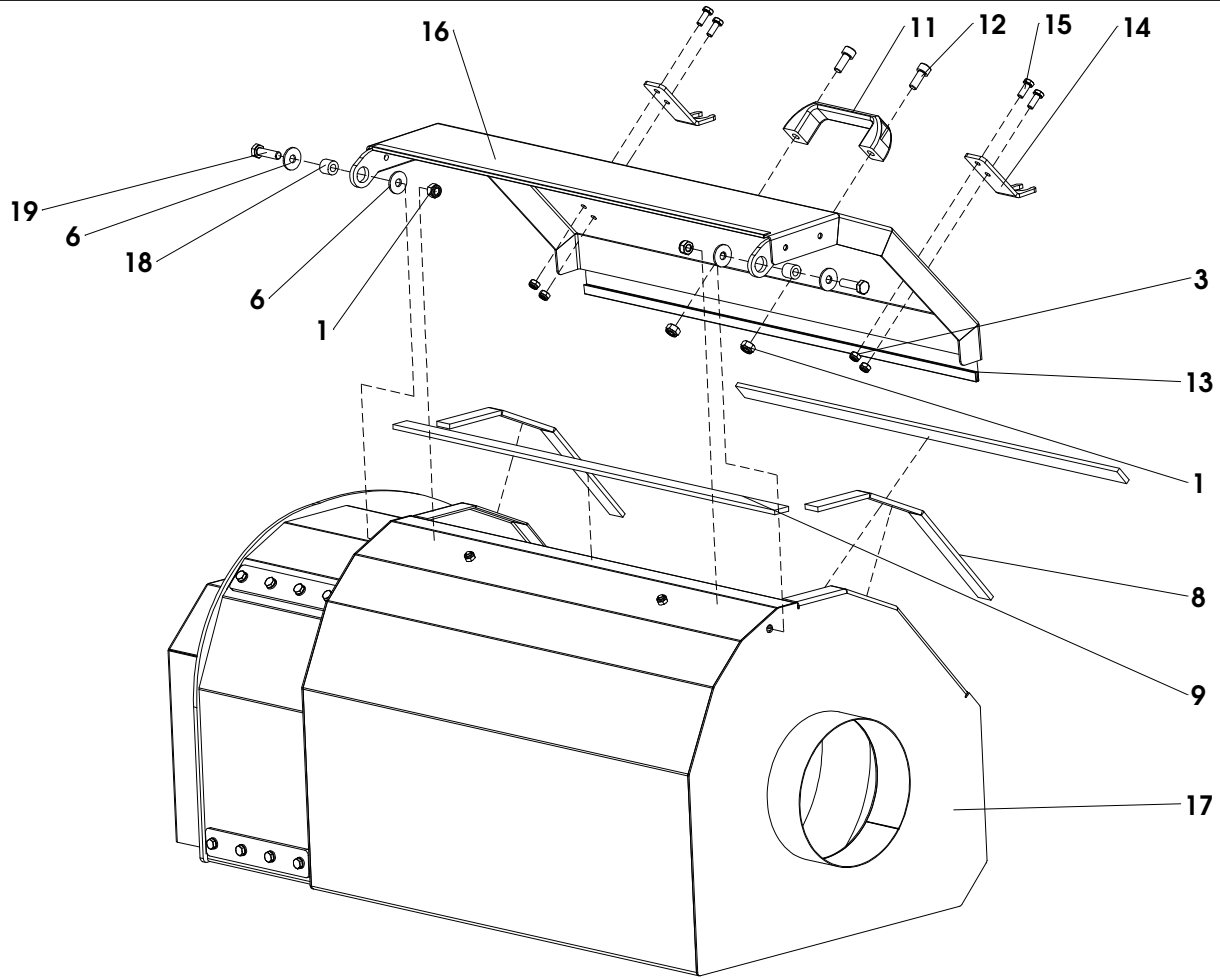




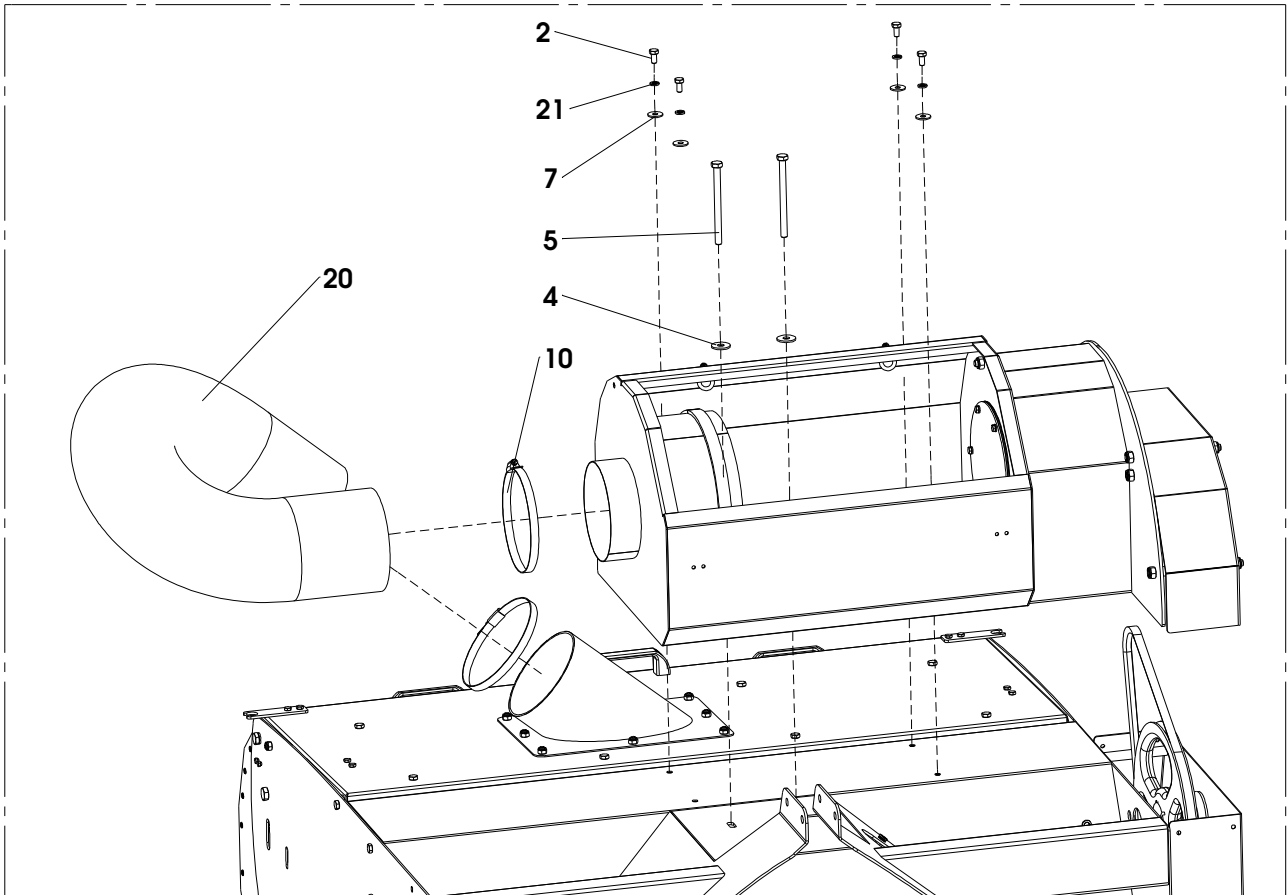
ITEM	PART NUMBER	DESCRIPTION	REMARKS	QUA VT 1200	QUA VT 1800
1	830.100.100	Self Lock Nut M10 - ISO 10511		16	16
2	472.151.560	Stud L=156		3	3
3	804.060.200	Bolt M6 x 20 - ISO 4017		8	8
4	866.060.020	Spring Washer M6 - DIN 127		14	14
5	464.041.602	Clamp strip		2	2
6	458.301.170	Vacuum outlet protection		1	1
7	468.024.450	Safety cover		1	1
8	804.060.160	Bolt M6 x 16 - ISO 4017		6	6
9	458.022.150	Intake protection		1	1
10	468.012.150	Flange		1	1
11	472.152.050	Stud wl=173		3	3
12	870.020.120	Circlip d=20 - DIN 471		1	1
13	884.060.320	Key 6x6x32 - DIN 6885		1	1
14	472.201.300	Pulley axle		1	1
15	713.200.120	Bearing 6004 2RS		2	2
16	466.351.000	Bearing support		1	1
17	472.120.480	Weld assy flange		1	1
18	470.100.280	Impeller wheel ZWR-04		1	1
19	804.080.200	Bolt M8 x 20 - ISO 4017		6	6
20	830.080.080	Self Lock Nut M8 - ISO 10511		6	6
21	804.060.160	Bolt M6 x 16 - ISO 4017		1	1
22	470.055.460	Fan case		1	1
23	830.050.050	Self Lock Nut M5 - ISO 10511		4	4
24	895.060.600	Cup hook M6		2	2
25	830.060.060	Self Lock Nut M6 - ISO 10511		2	2
26	590.650.000	Rubber lock assy		2	2
27	804.050.120	Bolt M5 x 12 - ISO 4017		4	4
28	592.295.048	Dust bag	Verti-Top 1200	1	0
	592.957.100	Dust bag	Verti-Top 1800	0	1
29	872.042.180	Circlip D=42 - DIN 472		2	2



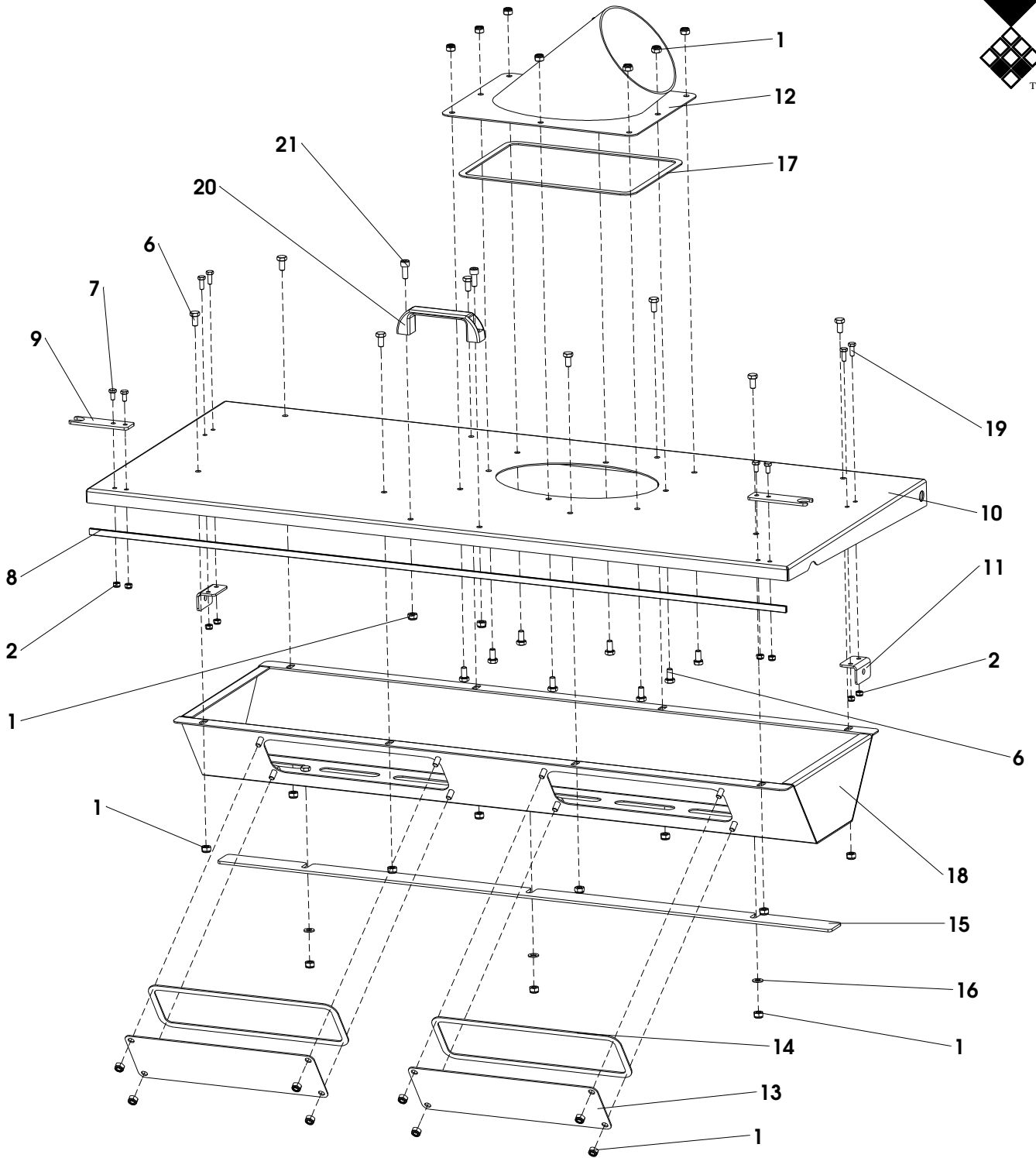
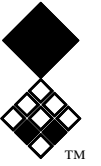
ITEM	PART NUMBER	DESCRIPTION	REMARKS	QUA VT 1200	QUA VT 1800
1	830.100.100	Self Lock Nut M10 - ISO 10511		16	16
2	472.151.560	Stud L=156		3	3
3	804.060.200	Bolt M6 x 20 - ISO 4017		8	8
4	866.060.020	Spring Washer M6 - DIN 127		14	14
5	464.041.602	Clamp strip		2	2
6	458.301.170	Vacuum outlet protection		1	1
7	468.024.450	Safety cover		1	1
8	804.060.160	Bolt M6 x 16 - ISO 4017		6	6
9	458.022.150	Intake protection		1	1
10	468.012.150	Flange		1	1
11	472.152.050	Stud wl=173		4	3
12	870.020.120	Circlip d=20 - DIN 471		1	1
13	884.060.320	Key 6x6x32 - DIN 6885		1	1
14	472.201.300	Pulley axle		1	1
15	713.200.120	Bearing 6004 2RS		2	2
16	466.351.000	Bearing support		1	1
17	147.150.006- SA001	Impeller assembly		1	1
18	470.055.460	Fan case		1	1
19	830.050.050	Self Lock Nut M5 - ISO 10511		4	4
20	895.060.600	Cup hook M6		2	2
21	830.060.060	Self Lock Nut M6 - ISO 10511		2	2
22	804.050.120	Bolt M5 x 12 - ISO 4017		4	4
23	592.295.048	Dust bag	Verti-Top 1200	1	0
	592.957.100	Dust bag	Verti-Top 1800	0	1
24	872.042.180	Circlip D=42 - DIN 472		2	2
25	590.650.000	Rubber lock assy		2	2



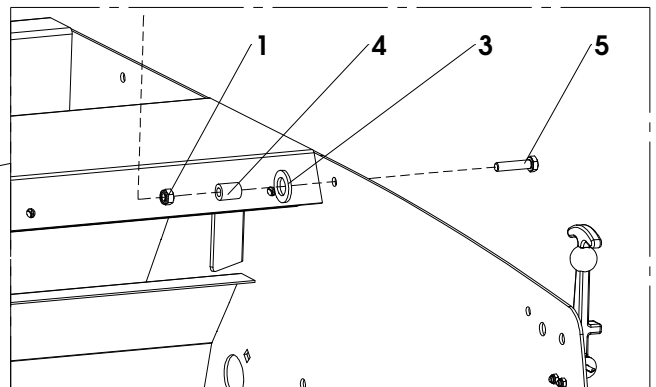
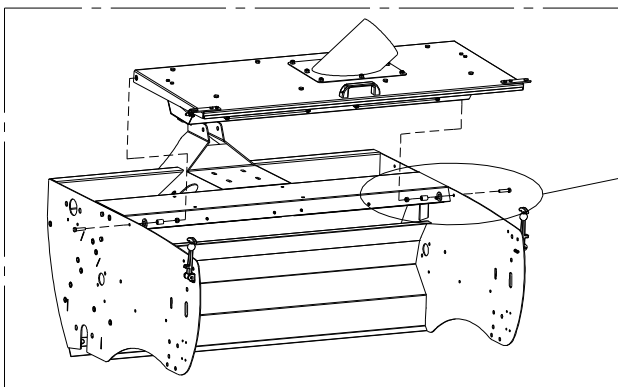
Connection to main frame



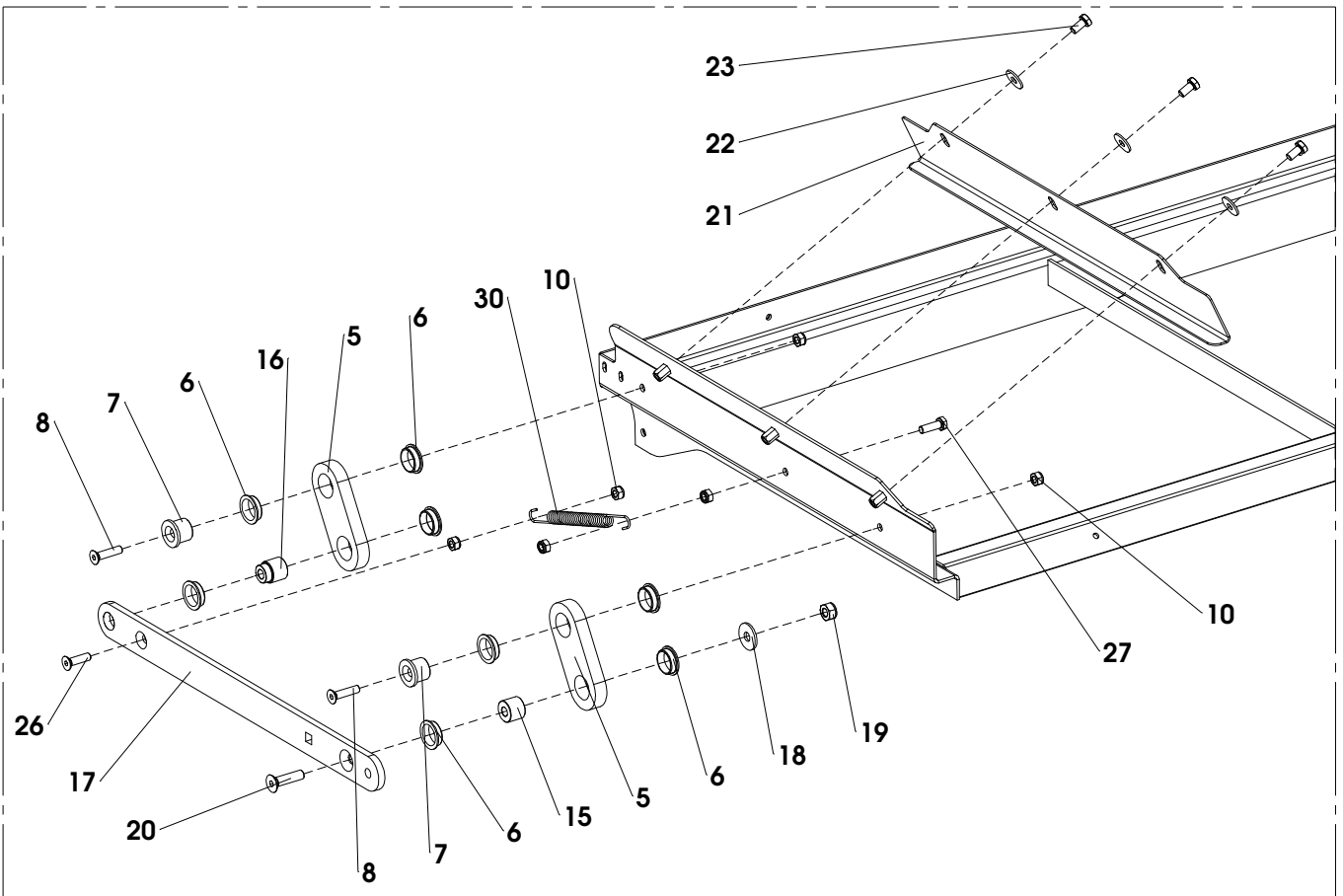
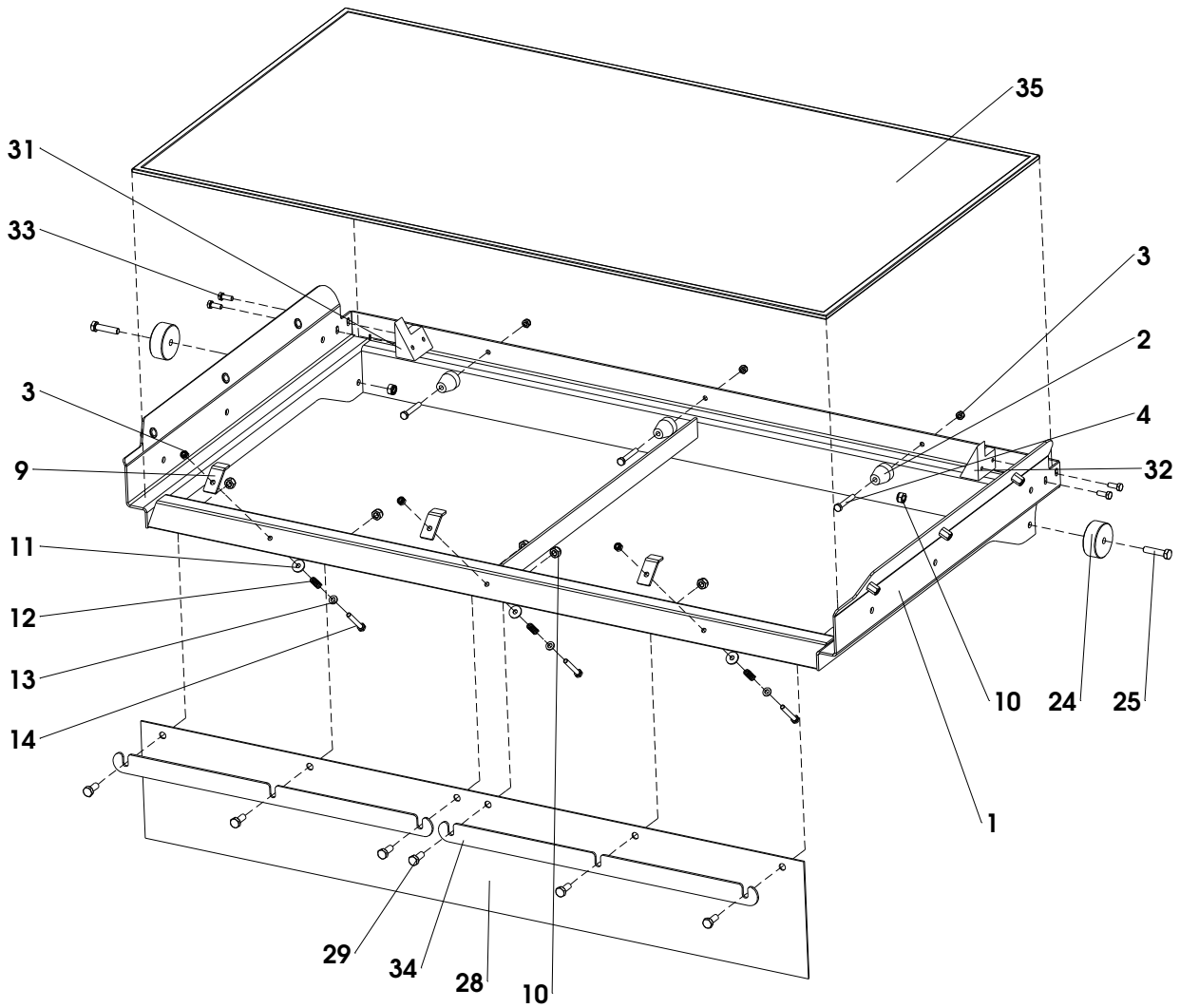
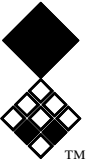
ITEM	PART NUMBER	DESCRIPTION	REMARKS	QUA VT 1200	QUA VT 1800
1	830.080.080	Self Lock Nut M8 - ISO 10511		4	4
2	804.080.160	Bolt M8 x 16 - ISO 4017		4	4
3	830.060.060	Self Lock Nut M6 - ISO 10511		4	4
4	864.100.031	Large washer M10 - DIN 9021		2	2
5	802.101.300	Bolt M10 x 130 - ISO 4014		2	2
6	864.080.024	Large washer M8 - DIN 9021		4	4
7	864.080.024	Large washer M8 - DIN 9021		4	4
8	446.103.030	Selfadhesive foamrubber 20x10 L=303mm		2	2
9	446.105.950	Selfadhesive foamrubber 20x10 L=595mm	Verti-Top 1200	2	0
	446.108.950	Selfadhesive foamrubber 20x10 L=895mm	Verti-Top 1800	0	2
10	547.130.600	Hose clamp Ø165		2	2
11	444.151.250	Handle		1	1
12	814.080.200	Bolt M8 x 20 - DIN 912		2	2
13	446.046.100	Rubber U-seal 4x10 L=610	Verti-Top 1200	2	0
	446.049.100	Rubber U-seal 4x10 L=910	Verti-Top 1800	0	2
14	464.040.900	Latch 50 deg. angle		2	2
15	804.060.160	Bolt M6 x 16 - ISO 4017		4	4
16	470.026.300	Cover vacuum box	Verti-Top 1200	1	0
	470.029.300	Lid vacuum box	Verti-Top 1800	0	1
17	494.042.067	Vacuum box	Verti-Top 1200	1	0
	494.042.097	Vacuum box	Verti-Top 1800	0	1
18	402.080.130	Rocker wheel bearing		2	2
19	804.080.300	Bolt M8 x 30 - ISO 4017		2	2
20	555.165.100	Vacuum hose Ø165x2.5 L=1000mm		1	1
21	866.080.020	Spring Washer M8 - DIN 127		4	6



Connection to main frame



ITEM	PART NUMBER	DESCRIPTION	REMARKS	QUA VT 1200	QUA VT 1800
1	830.080.080	Self Lock Nut M8 - ISO 10511		31	38
2	830.060.060	Self Lock Nut M6 - ISO 10511		8	8
3	864.160.030	Washer M16 - ISO 7089		2	2
4	406.080.200	Distance bush		2	2
5	802.080.350	Bolt M8 x 35 - ISO 4014		2	2
6	804.080.160	Bolt M8 x 16 - ISO 4017		16	18
7	804.100.250	Bolt M6 x 12 - ISO 4017		4	4
8	446.049.120	Rubber U-seal 4x10 L=1180	Verti-Top 1200	0	1
	446.049.180	Rubber U-seal 4x10 L=1780	Verti-Top 1800	1	0
9	464.041.000	Latch for rubber lock		2	2
10	494.051.119	Bonnet	Verti-Top 1200	1	0
	494.058.179	Bonnet	Verti-Top 1800	0	1
11	464.030.502	Bracket		2	2
12	478.163.330	Intake vacuum mouth		1	1
13	468.023.200	Inspection cover		2	3
14	446.047.750	Selfadhesive foam rubber 4x10 L=775mm		2	3
15	464.049.104	Vacuum adjustment strip	Verti-Top 1200	1	0
	464.049.164	Vacuum adjustment strip	Verti-Top 1800	0	1
16	864.080.030	Washer M8 - ISO 7089		3	4
17	446.049.350	Selfadhesive foam rubber 4x10 L=935mm		1	1
18	470.029.100	Vacuum mouth	Verti-Top 1200	1	0
	470.029.162	Vacuum mouth	Verti-Top 1800	0	1
19	804.060.160	Bolt M6 x 16 - ISO 4017		4	4
20	444.151.250	Handle		1	1
21	814.080.200	Bolt M8 x 20 - DIN 912		2	2

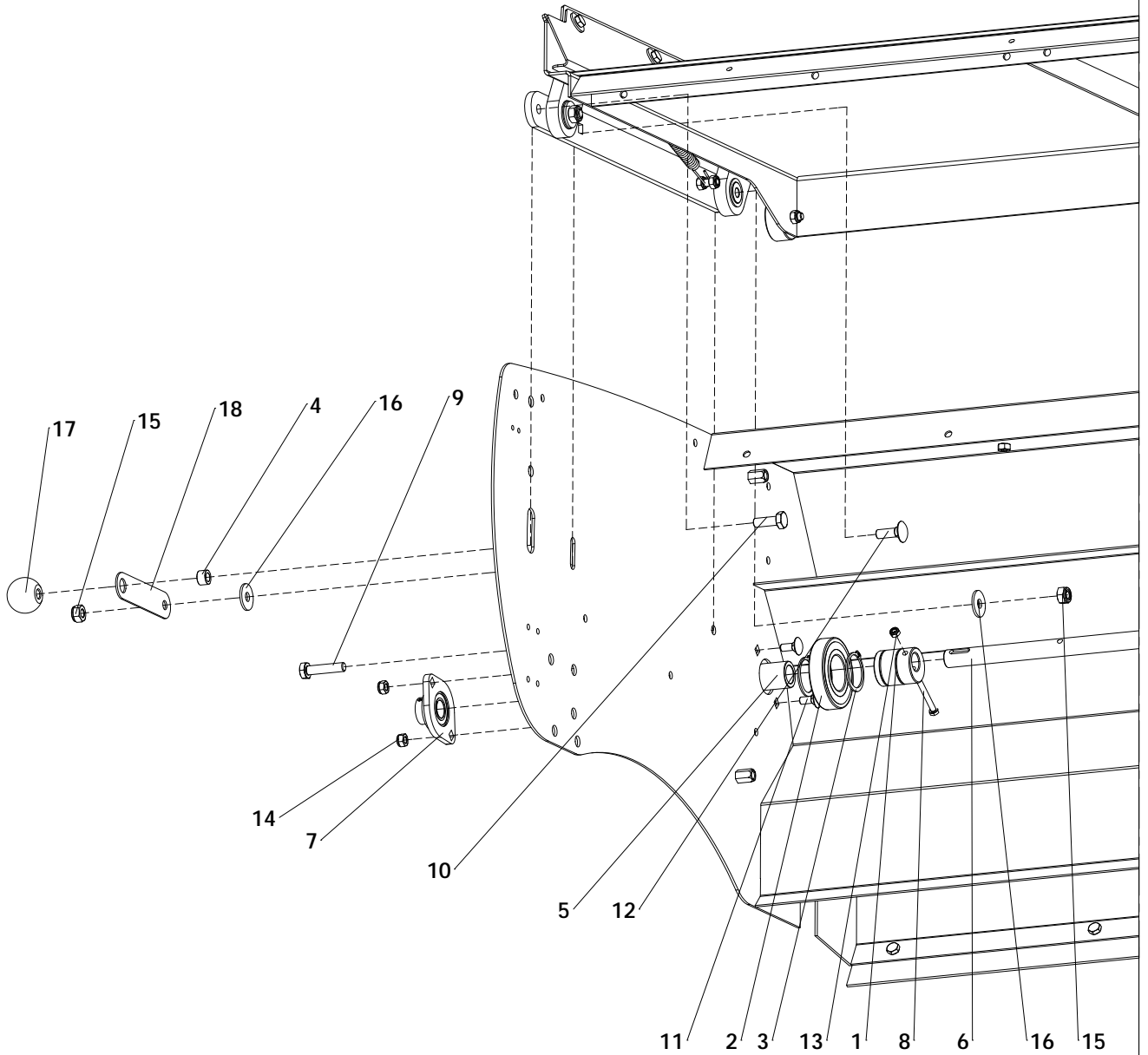




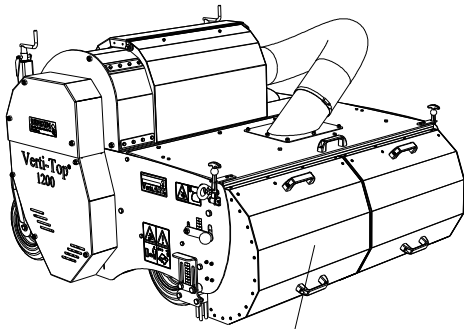
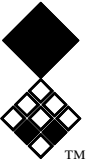
ITEM	PART NUMBER	DESCRIPTION	REMARKS	QUA VT 1200	QUA VT 1800
1	494.062.118	Frame shaking sieve	Verti-Top 1200	1	0
	494.062.179	Frame shaking sieve	Verti-Top 1800	0	1
2	444.065.300	Lock Plug		3	5
3	830.060.060	Self Lock Nut M6 - ISO 10511		6	10
4	802.060.400	Bolt M6 x 40 - ISO 4014		3	5
5	464.151.200	Strip short		4	4
6	732.240.080	Bearing bush Ø27/Ø24 L=7		16	16
7	404.090.220	Bush		4	4
8	816.080.350	Bolt M8 x 35 - DIN 7991		4	4
9	464.030.500	Lock strip		3	5
10	830.080.080	Self Lock Nut M8 - ISO 10511		20	23
11	864.060.031	Large washer M6 - DIN 9021		3	5
12	576.020.250	Compression spring		3	5
13	864.060.030	Washer M6 - ISO 7089		3	5
14	802.060.450	Bolt M6 x 45 - ISO 4014		3	5
15	406.100.190	Distance Bush Ø24/Ø10 L=19.2		2	2
16	404.102.740	Distance bush		2	2
17	464.085.200	Connecting strip		2	2
18	864.100.031	Large washer M10 - DIN 9021		2	2
19	830.100.100	Self Lock Nut M10 - ISO 10511		2	2
20	816.100.400	Bolt M10 x 40 - DIN 7991		2	2
21	468.025.702	Rubber deflector		2	2
22	864.080.024	Large washer M8 - DIN 9021		6	6
23	804.080.160	Bolt M8 x 16 - ISO 4017		6	6
24	444.200.500	Excenter guide		2	2
25	804.080.350	Bolt M8 x 35 - ISO 4017		2	2
26	816.080.300	Bolt M8 x 30 - DIN 7991		2	2
27	804.080.250	Bolt M8 x 25 - ISO 4017		2	2
28	446.029.107	Rubber strip 180x2 L=1070	Verti-Top 1200	1	0
	446.029.172	Rubber strip 180x2 L=1670	Verti-Top 1800	0	1
29	804.080.200	Bolt M8 x 20 - ISO 4017		6	9
30	575.021.450	Tension Spring		2	2
31	444.300.500	Rubber deflector block left		1	1
32	444.300.502	Rubber deflector block right		1	1
33	804.060.160	Bolt M6 x 16 - ISO 4017		4	4
34	464.035.150	Clamp strip L=515		2	3
35	458.069.110	Sieve Mesh 5x5 L=1120	Verti-Top 1200 (standard)	1	0
	458.069.111	Sieve Mesh 3.2x3.2 L=1120	Verti-Top 1200 (optional)	-	-
	458.069.112	Sieve Mesh 4x4 L=1120	Verti-Top 1200 (optional)	-	-
	458.069.113	Sieve Mesh 5.5x5.5 L=1120	Verti-Top 1200 (optional)	-	-
	458.069.114	Sieve Mesh 6x6 L=1120	Verti-Top 1200 (optional)	-	-
	458.069.170	Sieve Mesh 5x5 L=1720	Verti-Top 1800 (standard)	0	1
	458.069.171	Sieve Mesh 3.2x3.2 L=1720	Verti-Top 1800 (optional)	-	-
	458.069.172	Sieve Mesh 4x4 L=1720	Verti-Top 1800 (optional)	-	-
	458.069.173	Sieve Mesh 5.5x5.5 L=1720	Verti-Top 1800 (optional)	-	-
	458.069.174	Sieve Mesh 6x6 L=1720	Verti-Top 1800 (optional)	-	-



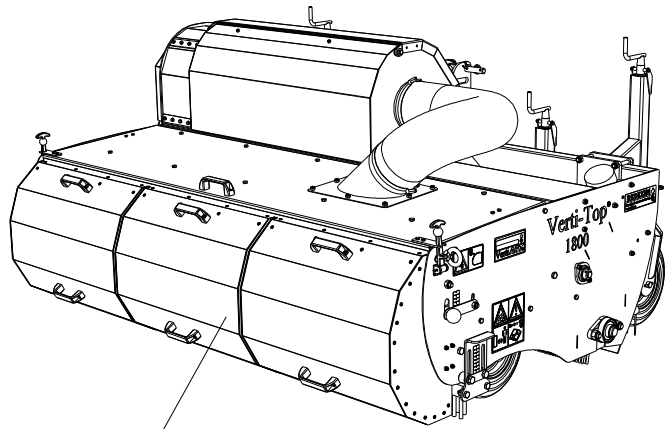
Connection to main frame



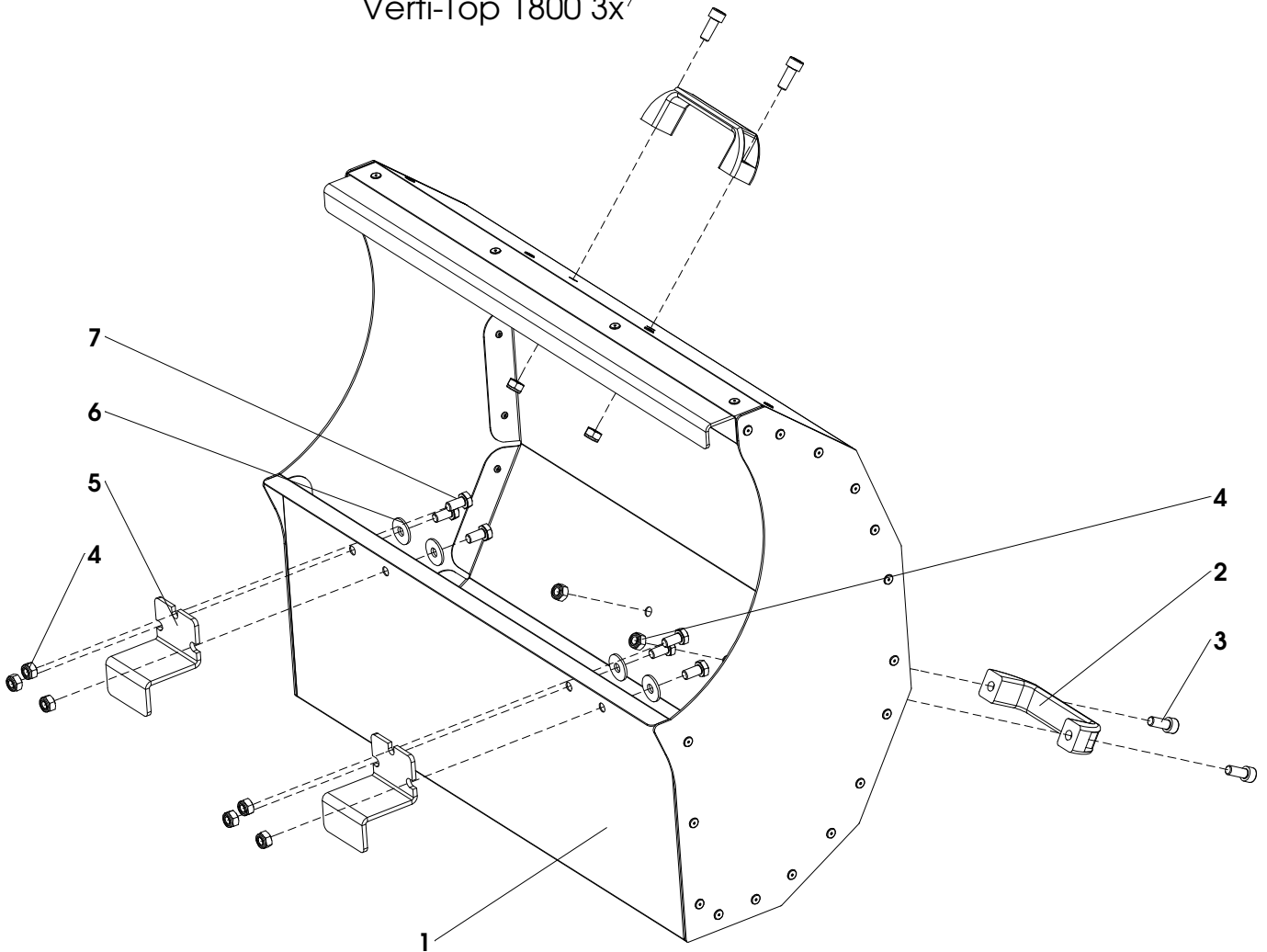
ITEM	PART NUMBER	DESCRIPTION	REMARKS	QUA VT 1200	QUA VT 1800
1	444.450.400	Excenter		2	2
2	713.400.180	Bearing 62082RS		2	2
3	870.040.180	Circlip d=40 - DIN 471		4	4
4	402.100.102	Bush Ø16/Ø10 L=10		2	2
5	406.200.330	Distance bush Ø20.5/Ø30 L=33		2	2
6	472.209.130	Excenter shaft L=1310	Verti-Top 1200	1	0
	472.209.190	Excenter shaft L=1910	Verti-Top 1800	0	1
7	744.200.230	Bearing PCSLT20		2	2
8	802.060.500	Bolt M6 x 50 - ISO 4014		2	2
9	802.100.450	Bolt M10 x 45 - ISO 4014		2	2
10	804.100.300	Bolt M10 x 30 - ISO 4017		2	2
11	820.080.200	MH Bolt M8 x 20 ISO 8677		4	4
12	820.100.300	MH Bolt M10 x 30 ISO 8677		2	2
13	830.060.060	Self Lock Nut M6 - ISO 10511		2	2
14	830.080.080	Self Lock Nut M8 - ISO 10511		4	4
15	830.100.100	Self Lock Nut M10 - ISO 10511		4	4
16	864.100.031	Large washer M10 - DIN 9021		4	4
17	892.100.380	Plastic Ball Knob Din 319 M10		2	2
18	464.021.400	Angle gauge		2	2



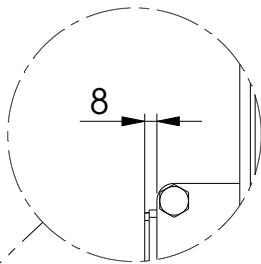
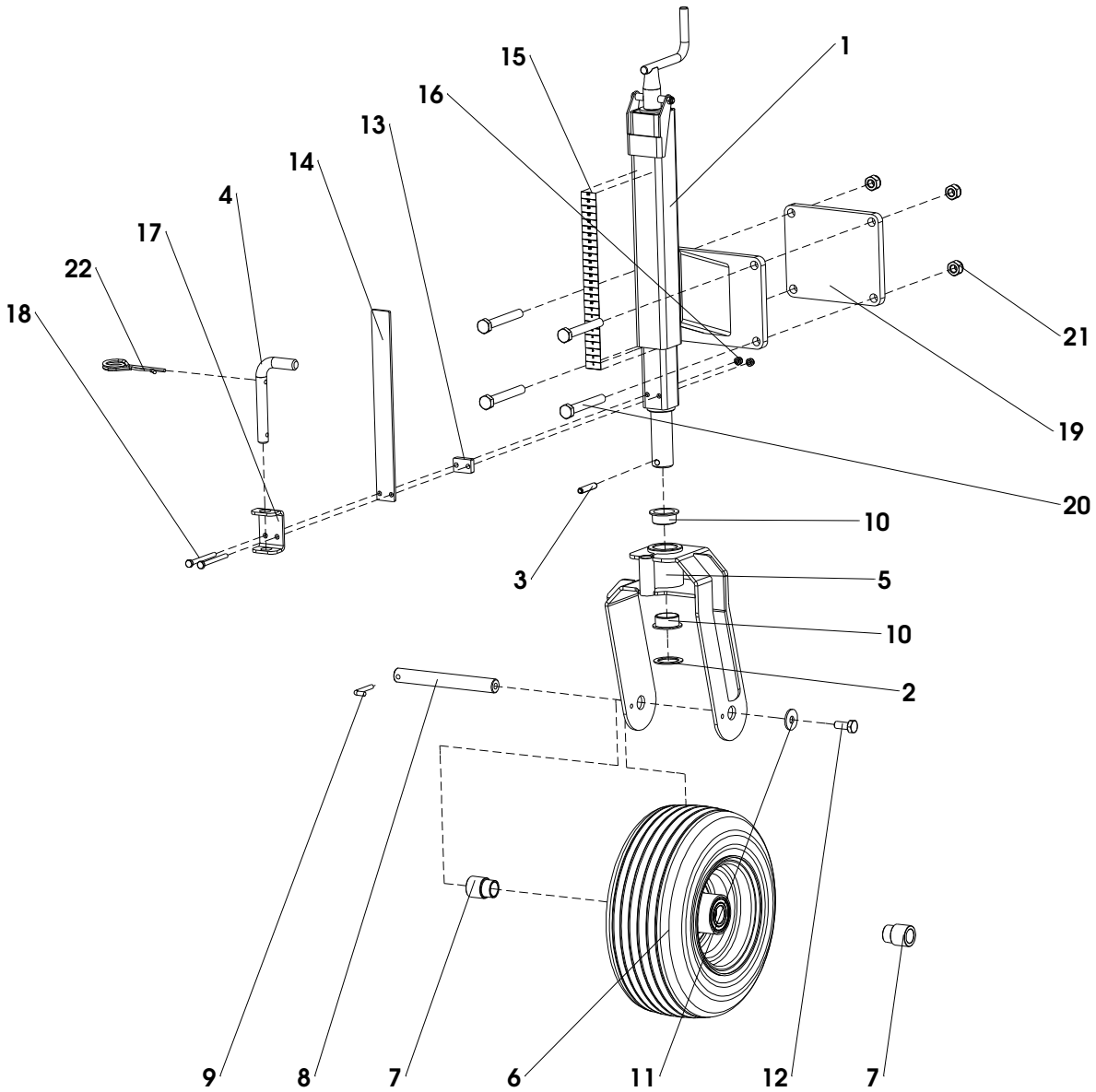
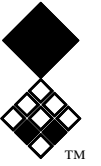
Verti-Top 1200 2x



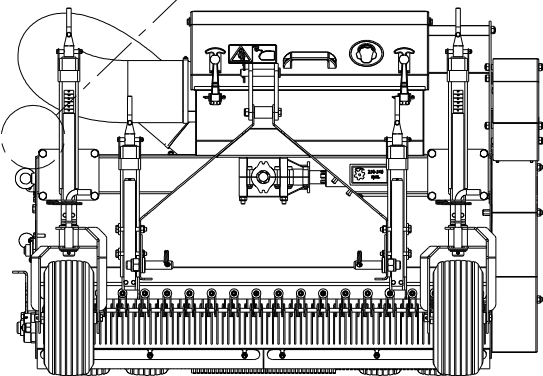
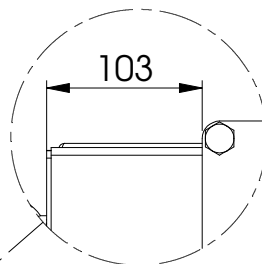
Verti-Top 1800 3x



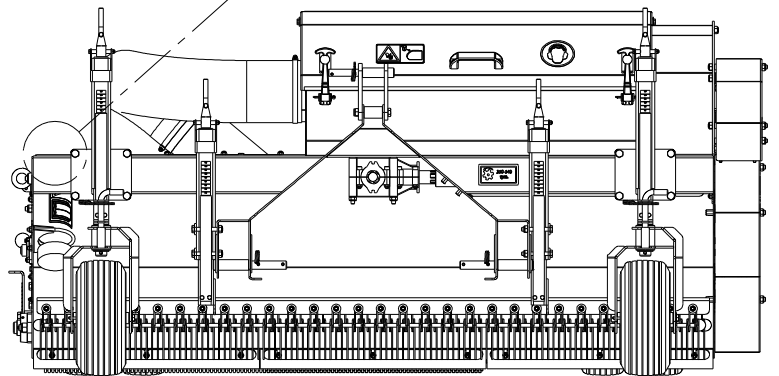
ITEM	PART NUMBER	DESCRIPTION	REMARKS	QUA
1	470.015.900	Hopper		1
2	444.151.250	Handle		2
3	814.080.200	Bolt M8 x 20 - DIN 912		4
4	830.080.080	Self Lock Nut M8 - ISO 10511		10
5	464.040.752	Bracket hopper		2
6	864.080.024	Large washer M8 - DIN 9021		4
7	804.080.160	Bolt M8 x 16 - ISO 4017		6



Connection to frame

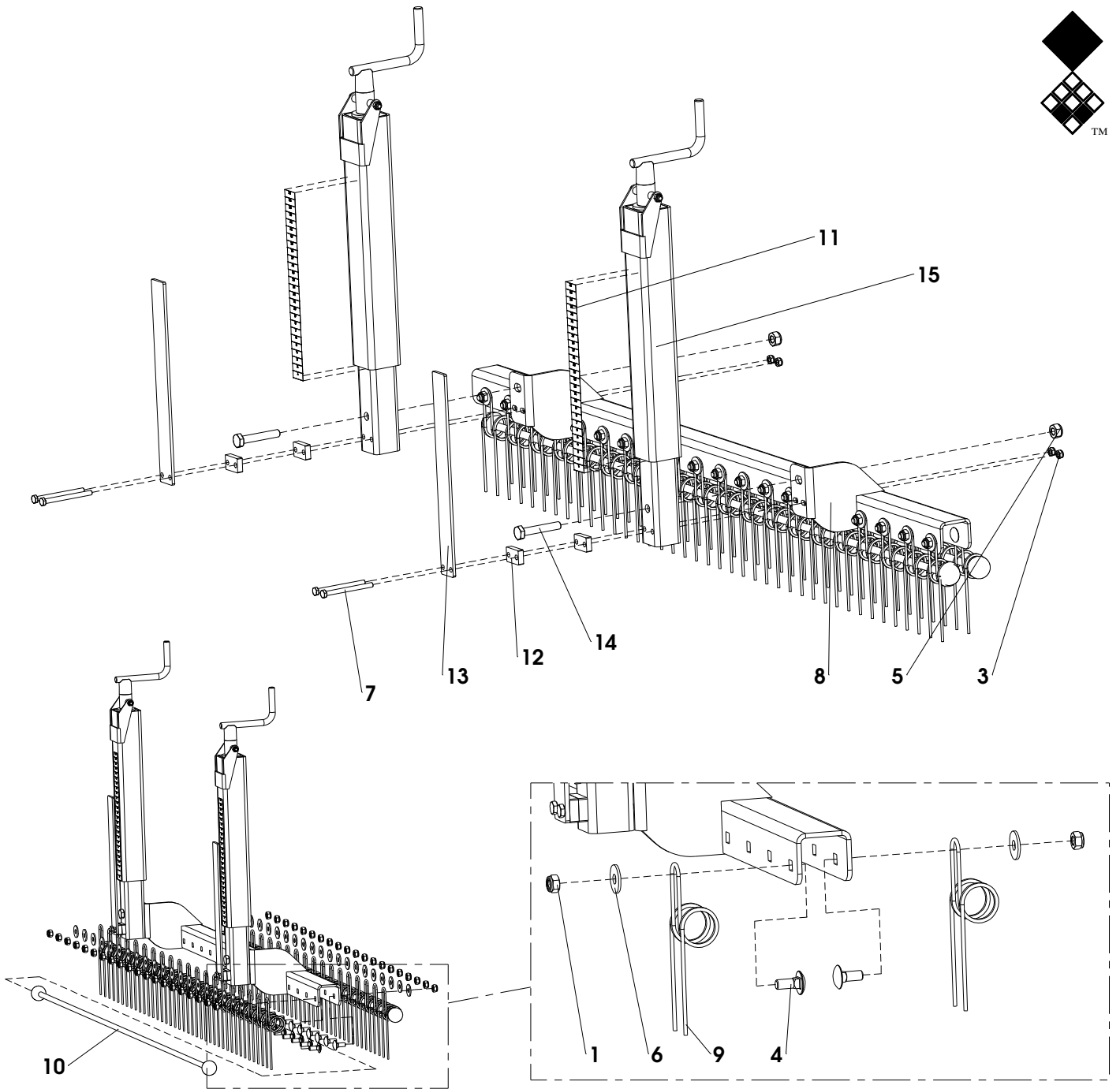
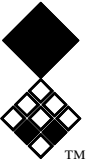


Verti-Top 1200



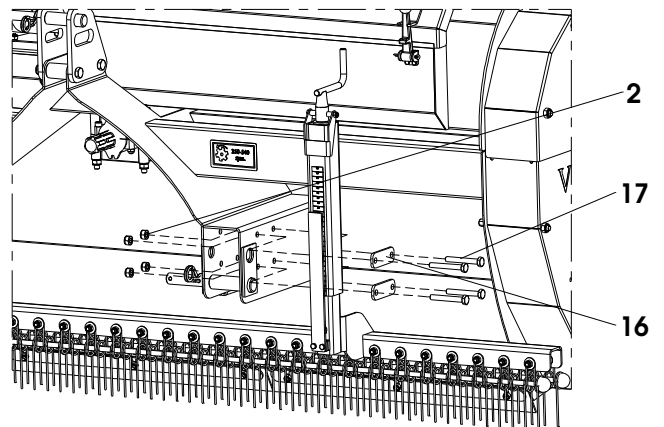
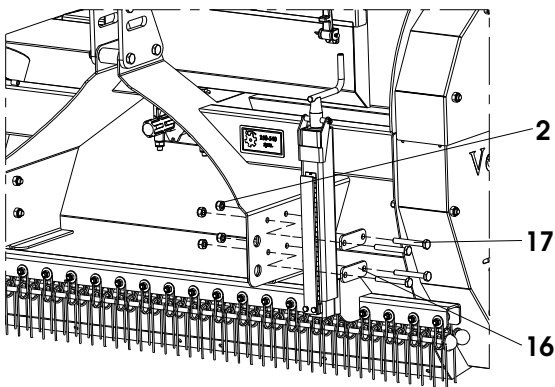
Verti-Top 1800

ITEM	PART NUMBER	DESCRIPTION	REMARKS	QUA
1	460.506.020	Jack caster wheels		1
2	864.300.032	Washer M30x1.5		1
3	878.080.400	Roll Pin 8 x 40 - ISO 8752		1
4	424.151.280	Lock pin		1
5	470.052.750	Caster wheel bracket		1
6	511.325.135	Wheel AGRI 31 - 13x5.00-6		1
7	404.200.390	Distance bush Ø30/Ø20,2 L=39,3		2
8	416.201.680	Wheel shaft		1
9	424.060.480	Lock Pin		1
10	732.300.160	Bearing bush Ø30/Ø34 h=16		2
11	864.100.031	Large washer M10 - DIN 9021		1
12	804.100.250	Bolt M10 x 25 - ISO 4017		1
13	464.080.300	Distance Block		1
14	464.042.800	Height Indicator Strip, L= 280		1
15	900.260.414	Decall Ruler		1
16	830.060.060	Self Lock Nut M6 - ISO 10511		2
17	464.040.602	Lock guide		1
18	802.060.650	Bolt M6 x 65 - ISO 4014		2
19	468.121.350	Mounting Plate Square 135		1
20	802.120.900	Bolt M12 x 90 - ISO 4014		4
21	830.120.120	Self Lock Nut M12 - ISO 10511		4
22	523.051.000	R-clip Round 6, DIN 11024		1



Connection to main frame

Connection to main frame

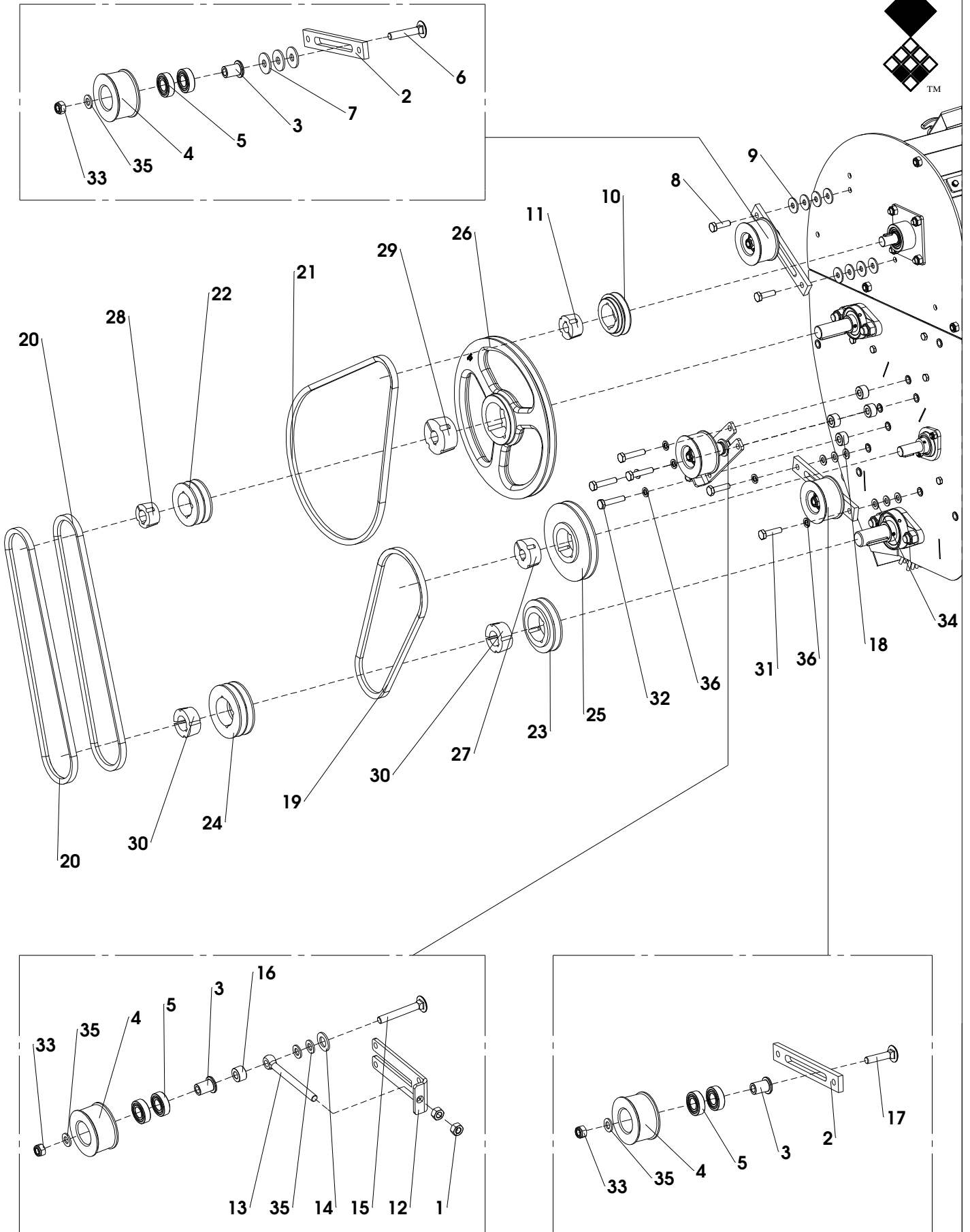
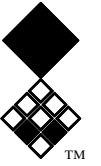


Verti-Top 1200

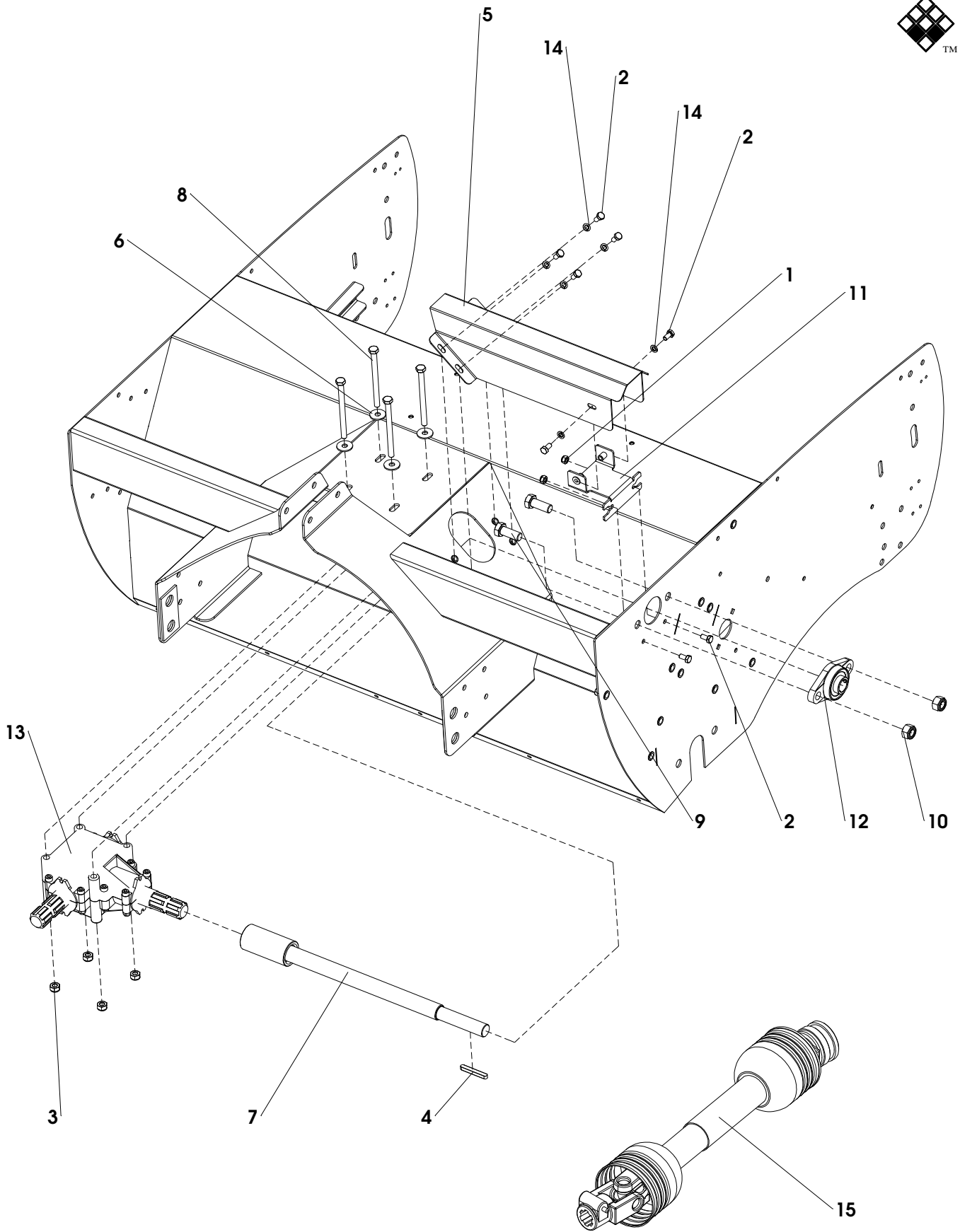
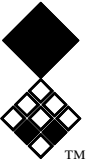
Verti-Top 1800



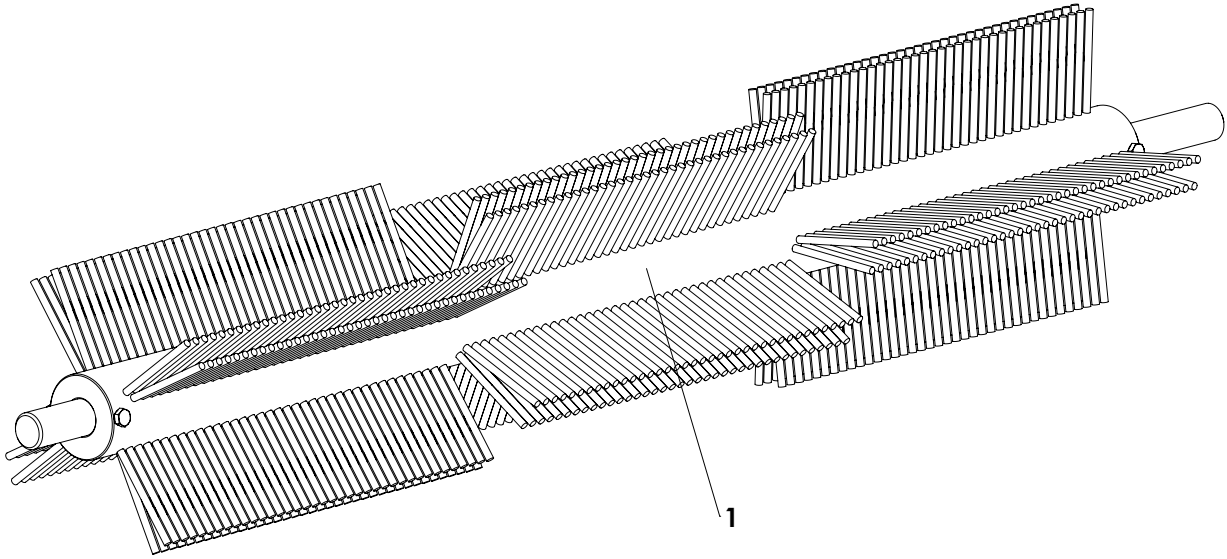
ITEM	PART NUMBER	DESCRIPTION	REMARKS	QUA VT 1200	QUA VT 1800
1	830.080.080	Self Lock Nut M8 - ISO 10511		40	60
2	830.100.100	Self Lock Nut M10 - ISO 10511		8	8
3	830.060.060	Self Lock Nut M6 - ISO 10511		4	4
4	820.080.200	MH Bolt M8 x 20 ISO 8677		40	60
5	830.100.100	Self Lock Nut M10 - ISO 10511		2	2
6	864.080.024	Large washer M8 - DIN 9021		40	60
7	802.060.750	Bolt M6 x 75 - ISO 4014		4	4
8	470.049.120	Rake beam L=1200	Verti-Top 1200	1	0
	470.049.180	Rake beam L=1800	Verti-Top 1800	0	1
9	361.103.157	Tine for rake VT		40	60
10	899.080.200	Rope Ø8 L=2150	Cut excess	2	2
11	900.260.414	Decall Ruler		2	2
12	464.080.300	Distance Block		4	4
13	464.042.800	Height Indicator Strip, L= 280		2	2
14	802.100.600	Bolt M10 x 60 - ISO 4014		2	2
15	460.505.500	Jack Rake		2	2
16	464.050.854	Clamp strip		4	4
17	802.100.750	Bolt M10 x 75 - ISO 4014		8	8



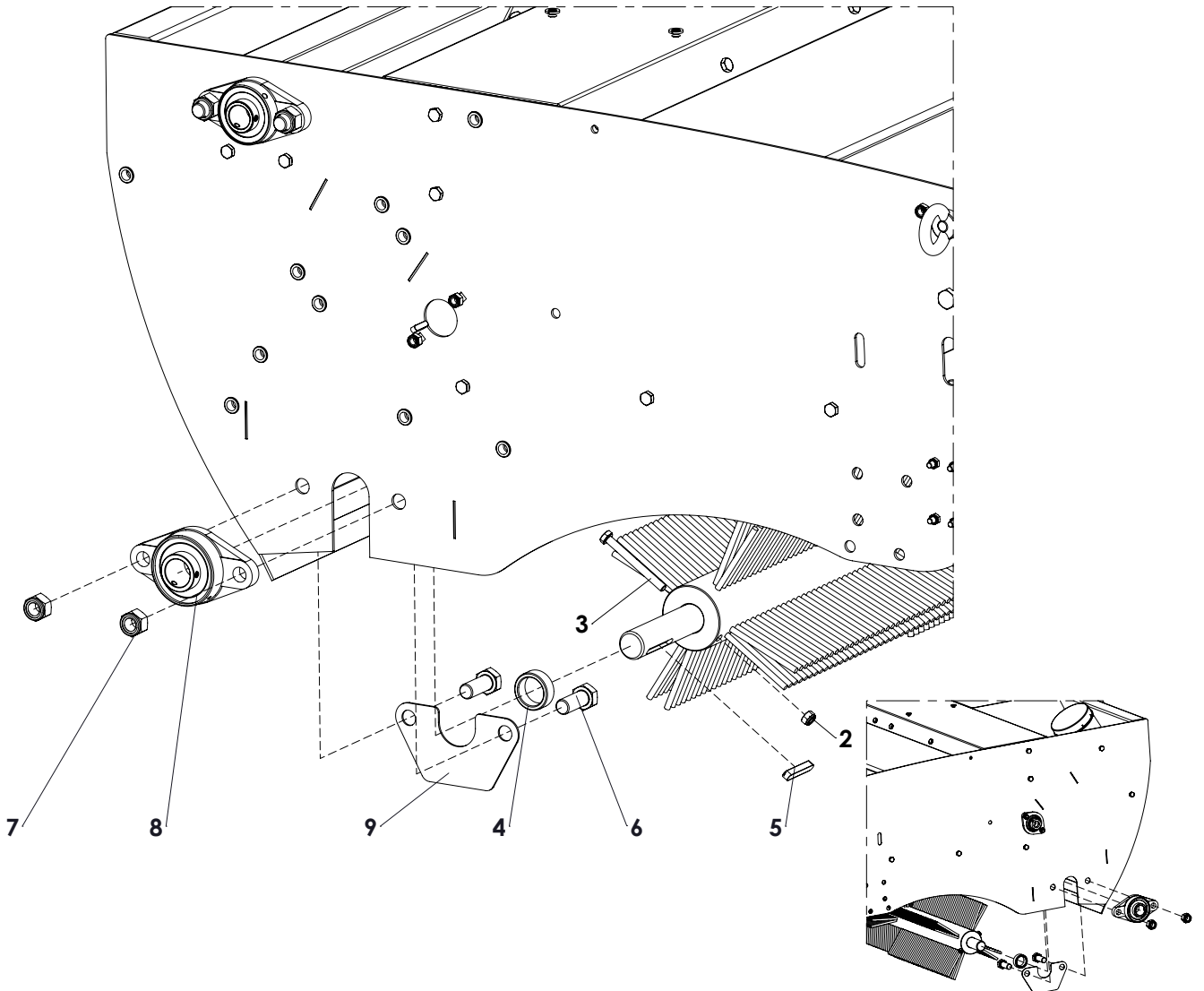
ITEM	PART NUMBER	DESCRIPTION	REMARKS	QUA VT 1200	QUA VT 1800
1	826.120.120	Nut M12 - DIN 934		2	2
2	646.102.100	Strip for idler		2	2
3	404.300.390	Idler distance shaft va2		3	3
4	428.450.300	Idler pulley		3	3
5	713.200.120	Bearing 6004 2RS		6	6
6	820.120.650	MH Bolt M12 x 65 ISO 8677		1	1
7	864.120.031	Large washer M12 - DIN 9021		3	3
8	804.100.350	Bolt M10 x 35 - ISO 4017		2	2
9	864.100.031	Large washer M10 - DIN 9021		8	8
10	646.010.801	SPA 80-1 T1210		1	1
11	648.201.210	Taperlock 1210 - 20mm		1	1
12	468.061.700	Spanner plate		1	1
13	822.121.400	Eye Bolt M12x140 DIN 444LB (full thread)		1	1
14	864.180.030	Washer M18 - ISO 7089		1	1
15	820.120.900	MH Bolt M12 x 90 ISO 8677		1	1
16	406.120.154	Distance bush Ø25/Ø12.5 h=15		1	1
17	820.120.550	MH Bolt M12 x 55 ISO 8677		1	1
18	406.110.154	Distance bush Ø25/Ø11 L=15		4	4
19	642.130.882	V-Belt XPA 882		1	1
20	642.131.120	V-Belt XPA 1120		2	2
21	642.131.257	V-Belt XPA 1257		1	1
22	646.010.802	Pulley SPA 80-2 T1210		1	1
23	646.011.001	Pulley SPA 100-1 T1610		1	1
24	646.011.002	Pulley SPA 100-2 T1610		1	1
25	646.011.501	Pulley SPA 150-1 T1610		1	1
26	646.013.151	SPA 315-1 T2012		1	1
27	648.201.610	Taperlock 1610 - 20mm		1	1
28	648.251.210	Taperlock 1210 - 25mm		1	1
29	648.252.012	Taperlock 2012 - 25mm		1	1
30	648.301.610	Taperlock 1610 - 30mm		2	2
31	802.100.400	Bolt M10 x 40 - ISO 4014		2	2
32	802.100.500	Bolt M10 x 50 - ISO 4014		4	4
33	830.120.120	Self Lock Nut M12 - ISO 10511		3	3
34	864.100.030	Washer M10 - ISO 7089		6	6
35	864.120.030	Washer M12 - ISO 7089		5	5
36	866.100.020	Spring Washer M10 - DIN 127		6	6



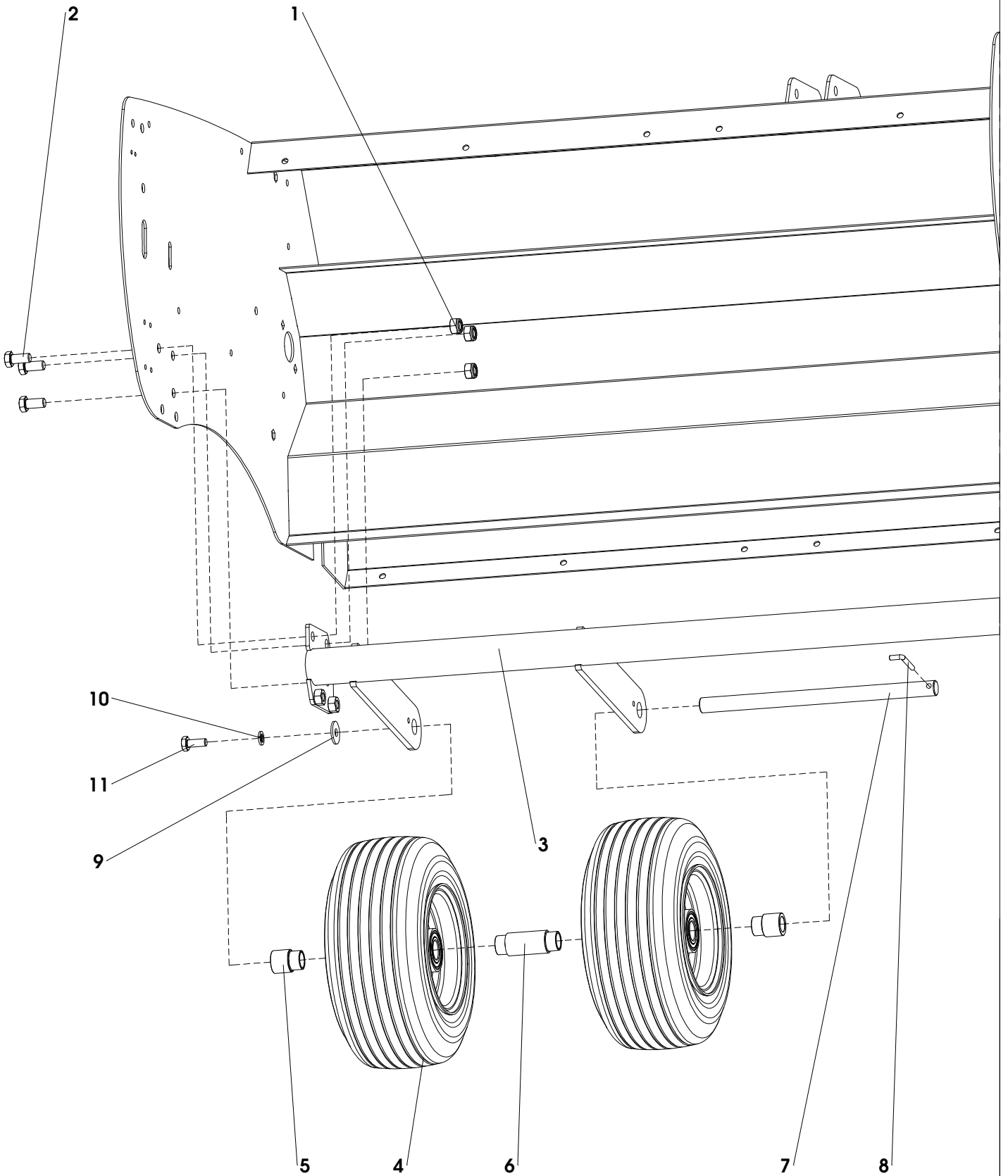
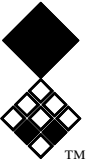
ITEM	PART NUMBER	DESCRIPTION	REMARKS	QUA VT 1200	QUA VT 1800
1	830.080.080	Self Lock Nut M8 - ISO 10511		2	2
2	804.080.160	Bolt M8 x 16 - ISO 4017		8	8
3	830.100.100	Self Lock Nut M10 - ISO 10511		4	4
4	884.080.600	Key 8x7x60 - DIN 6885		1	1
5	468.024.500	Protection cover	Verti-Top 1200	1	0
	468.027.500	Protection cover	Verti-Top 1800	0	1
6	864.100.031	Large washer M10 - DIN 9021		4	4
7	420.255.450	Main drive shaft	Verti-Top 1200	1	0
	420.258.450	Main drive shaft	Verti-Top 1800	0	1
8	802.101.300	Bolt M10 x 130 - ISO 4014		4	4
9	804.160.400	Bolt M16 x 40 - ISO 4017		2	2
10	830.160.160	Self Lock Nut M16 - ISO 10511		2	2
11	470.031.202	Cover Bracket		1	1
12	742.250.360	Bearing UCFL 205		1	1
13	622.105.352	Gearbox Comer T-281A 1:1.46 (281.001)		1	1
14	866.080.020	Spring Washer M8 - DIN 127		6	6
15	613.805.100	PTO Complete		1	1



Connection to main frame

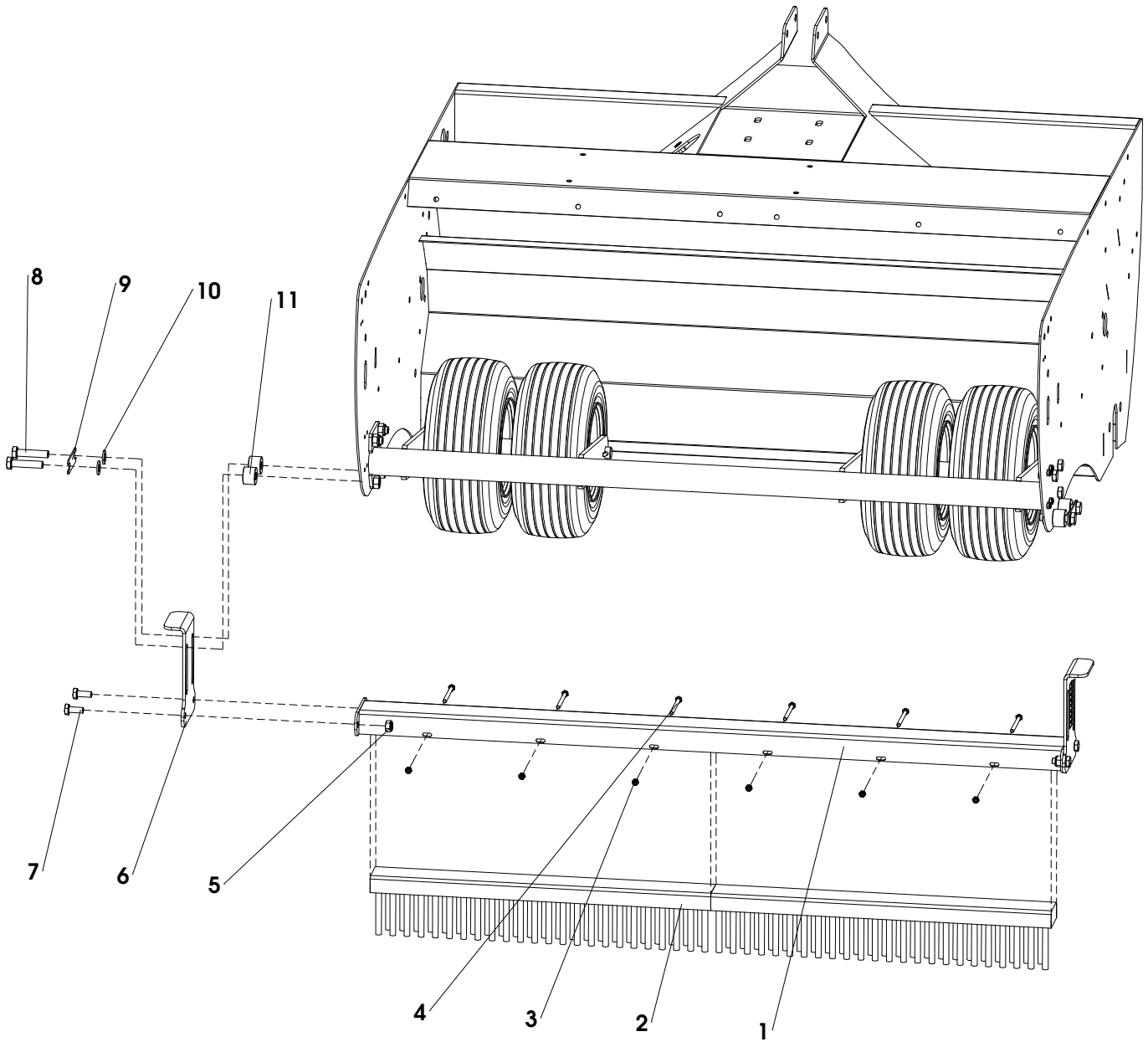
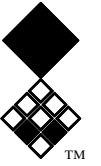


ITEM	PART NUMBER	DESCRIPTION	REMARKS	QUA VT 1200	QUA VT 1800
1	486.249.180	Brush complete Ø240 L=1800		0	1
	486.249.120	Brush complete Ø240 L=1200		1	0
2	830.080.080	Self Lock Nut M8 - ISO 10511		2	2
3	802.080.800	Bolt M8 x 80 - ISO 4014		2	2
4	406.310.150	Distance bush Ø40/Ø31 L=14.5		2	2
5	884.080.500	Key 8x7x50 - DIN 6885		1	1
6	804.160.400	Bolt M16 x 40 - ISO 4017		4	4
7	830.160.160	Self Lock Nut M16 - ISO 10511		4	4
8	742.300.400	Bearing UCFL206		2	2
9	468.021.490	Cover Plate		2	2

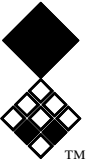




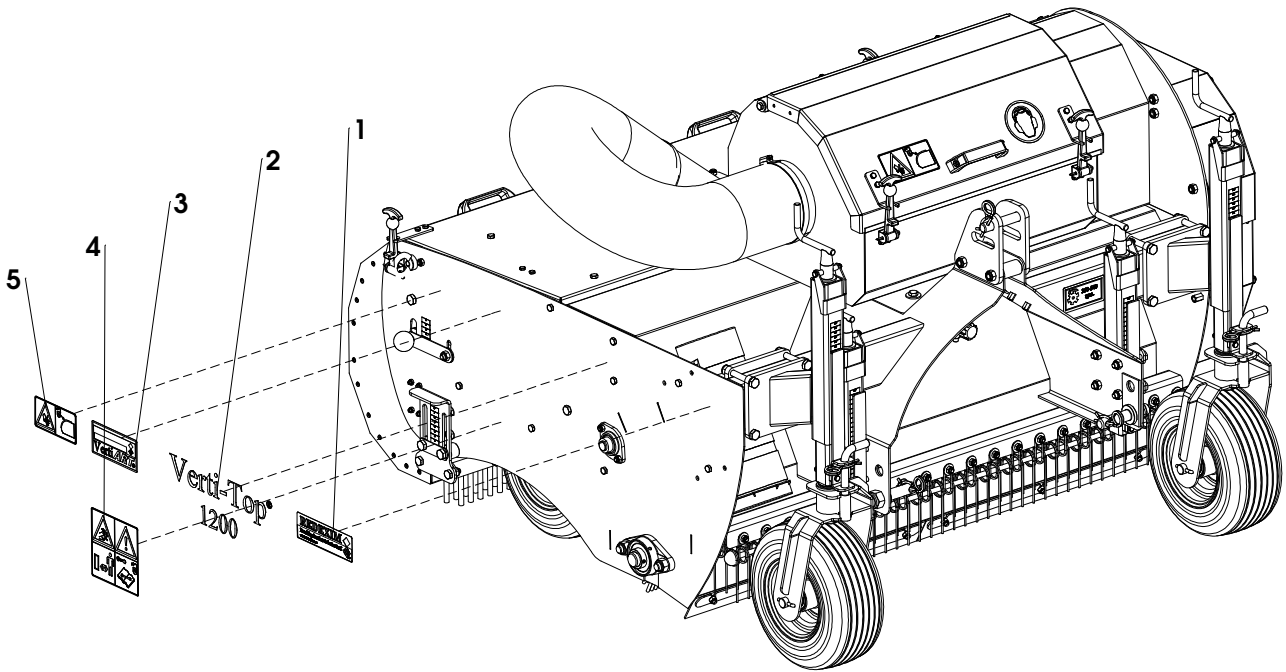
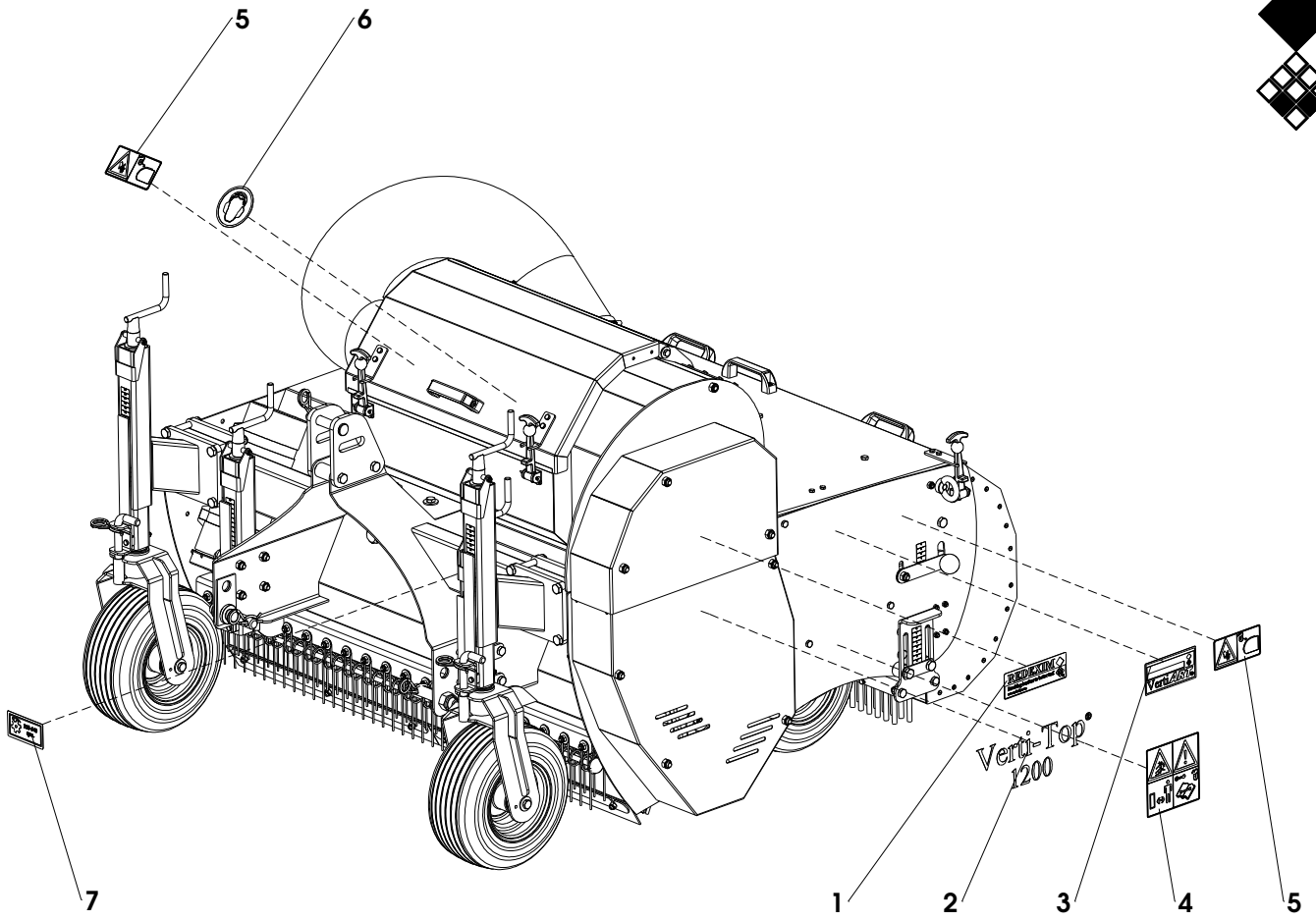
ITEM	PART NUMBER	DESCRIPTION	REMARKS	QUA VT 1200	QUA VT 1800
1	830.120.120	Self Lock Nut M12 - ISO 10511		6	6
2	804.120.250	Bolt M12 x 25 - ISO 4017		6	6
3	494.030.120	Rear wheel chassis		1	0
	494.030.180	Rear wheel chassis		0	1
4	511.325.135	Wheel AGRI 31 - 13x5.00-6		4	4
5	404.200.390	Distance bush Ø30/Ø20,2 L=39,3		4	4
6	404.200.840	Inner Bush		2	2
7	416.203.260	Wheel shaft		2	2
8	424.060.480	Lock Pin		2	2
9	864.100.031	Large washer M10 - DIN 9021		2	2
10	866.100.020	Spring Washer M10 - DIN 127		2	2
11	804.100.250	Bolt M10 x 25 - ISO 4017		2	2



ITEM	PART NUMBER	DESCRIPTION	REMARKS	QUA VT 1200	QUA VT 1800
1	494.011.125	Brush holder	Verti-Top 1200	1	0
	494.011.185	Brush holder	Verti-Top 1800	0	1
2	486.080.600	Brush WL=80 L=600		2	3
3	830.060.060	Self Lock Nut M6 - ISO 10511		6	9
4	802.060.750	Bolt M6 x 75 - ISO 4014		6	9
5	830.100.100	Self Lock Nut M10 - ISO 10511		4	4
6	468.051.802	Brush adjuster		2	2
7	804.100.250	Bolt M10 x 25 - ISO 4017		4	4
8	804.120.550	Bolt M12 x 55 - ISO 4017		4	4
9	464.020.800	Gauge strip		2	2
10	864.120.030	Washer M12 - ISO 7089		4	4
11	406.120.210	Distance bush Ø12.5/Ø30 L=21		4	4



TM



The placement of decals is the same for the VT 1200 and the VT 1800.

ITEM	PART NUMBER	DESCRIPTION	REMARKS	QUA
1	900.260.403	Logo Label Rev.B		2
2	947.260.402	Label Verti-Top		2
3	947.260.200	Decall Verti-Art		2
4	933.280.402	Safety decall Rink Verti-Top		2
5	911.280.404	Decall close cover		3
6	911.340.410	Safety decall noise		1
7	900.260.422	Decall PTO 350 540		1