

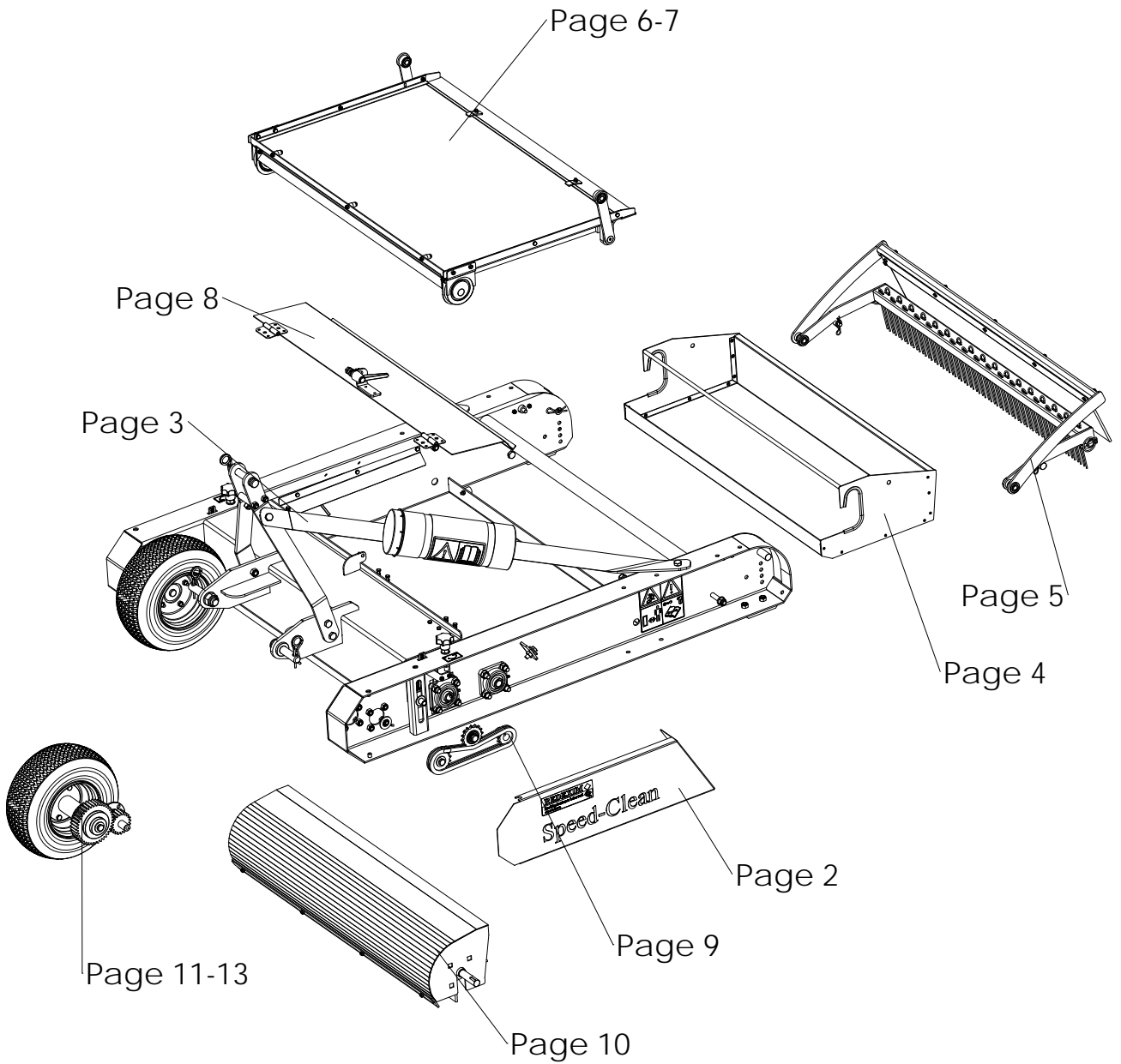
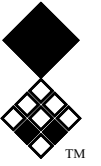
SPEED-CLEAN 1000



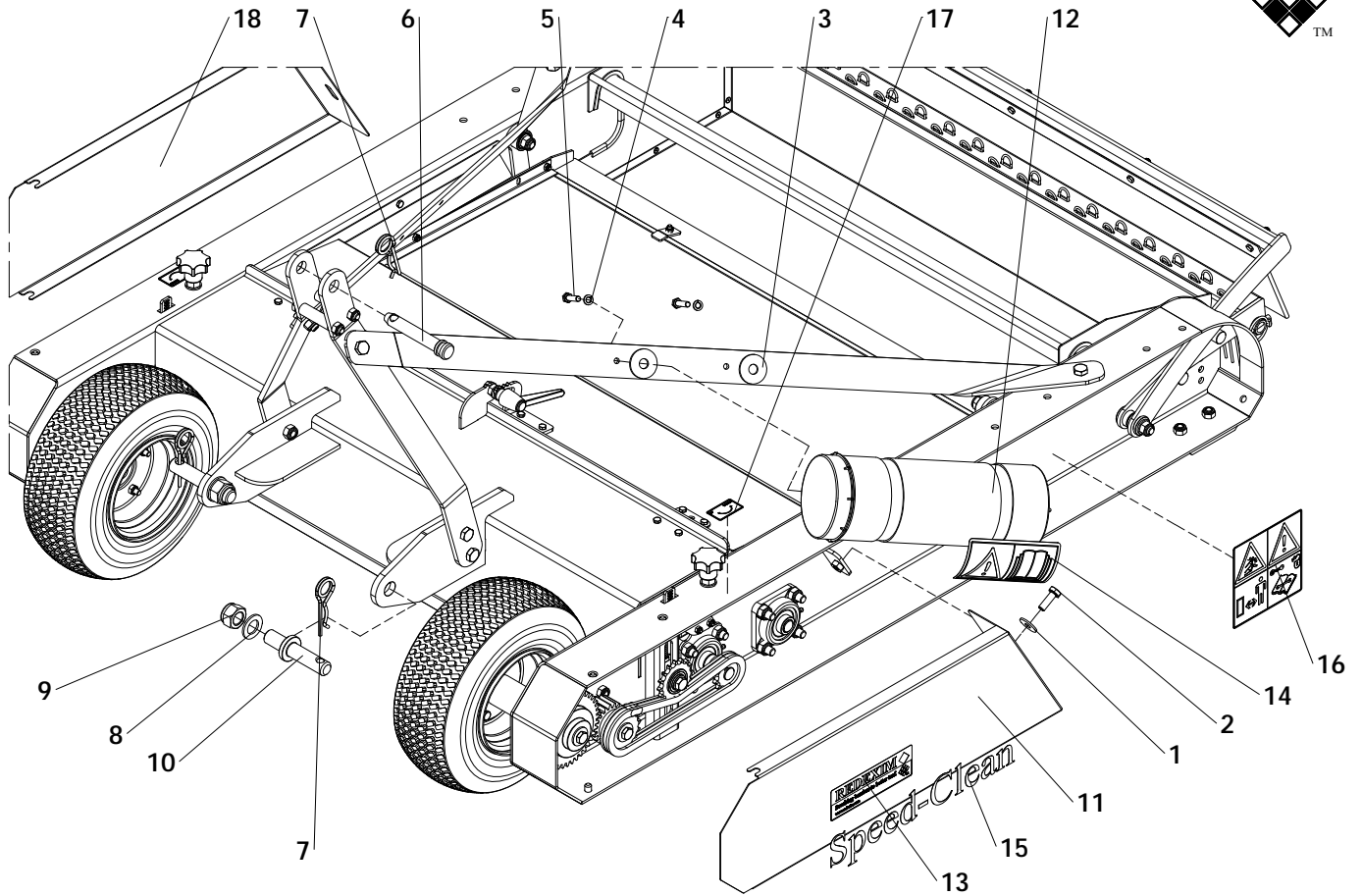
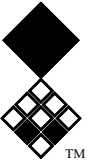
Version: 2336



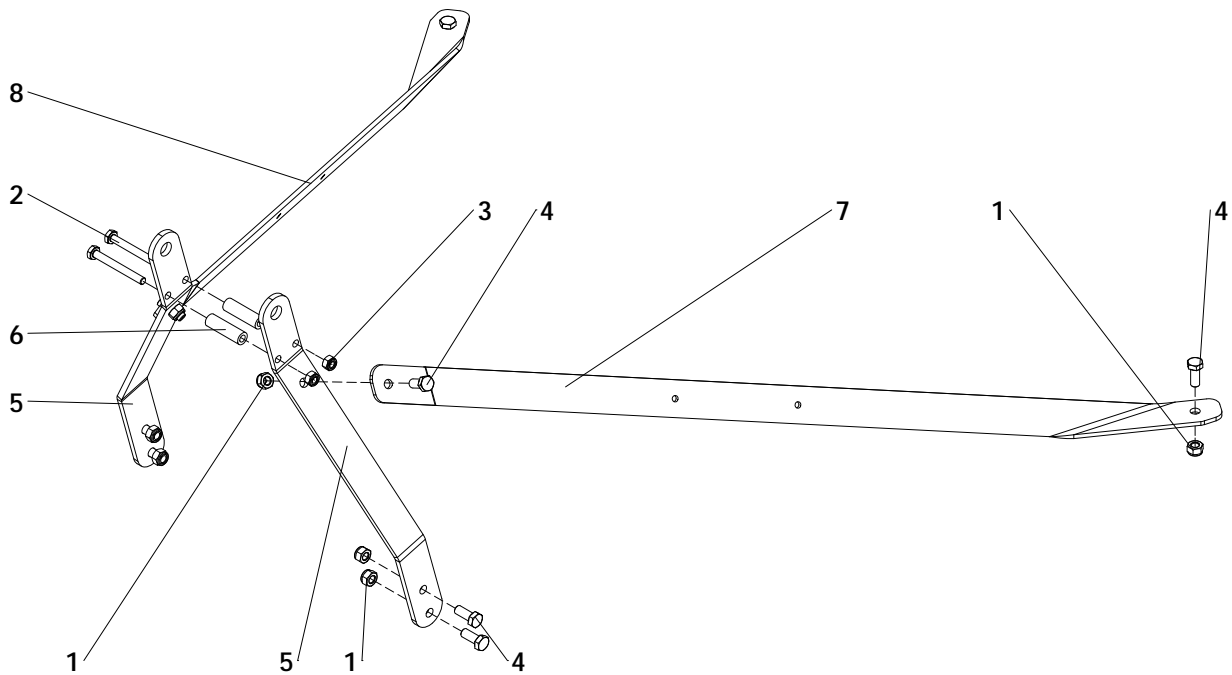
Kwekerijweg 8 | 3709JA | Zeist | The Netherlands |
T: +31 (0)306 933 227
E: redexim@redexim.com
W: www.redexim.com



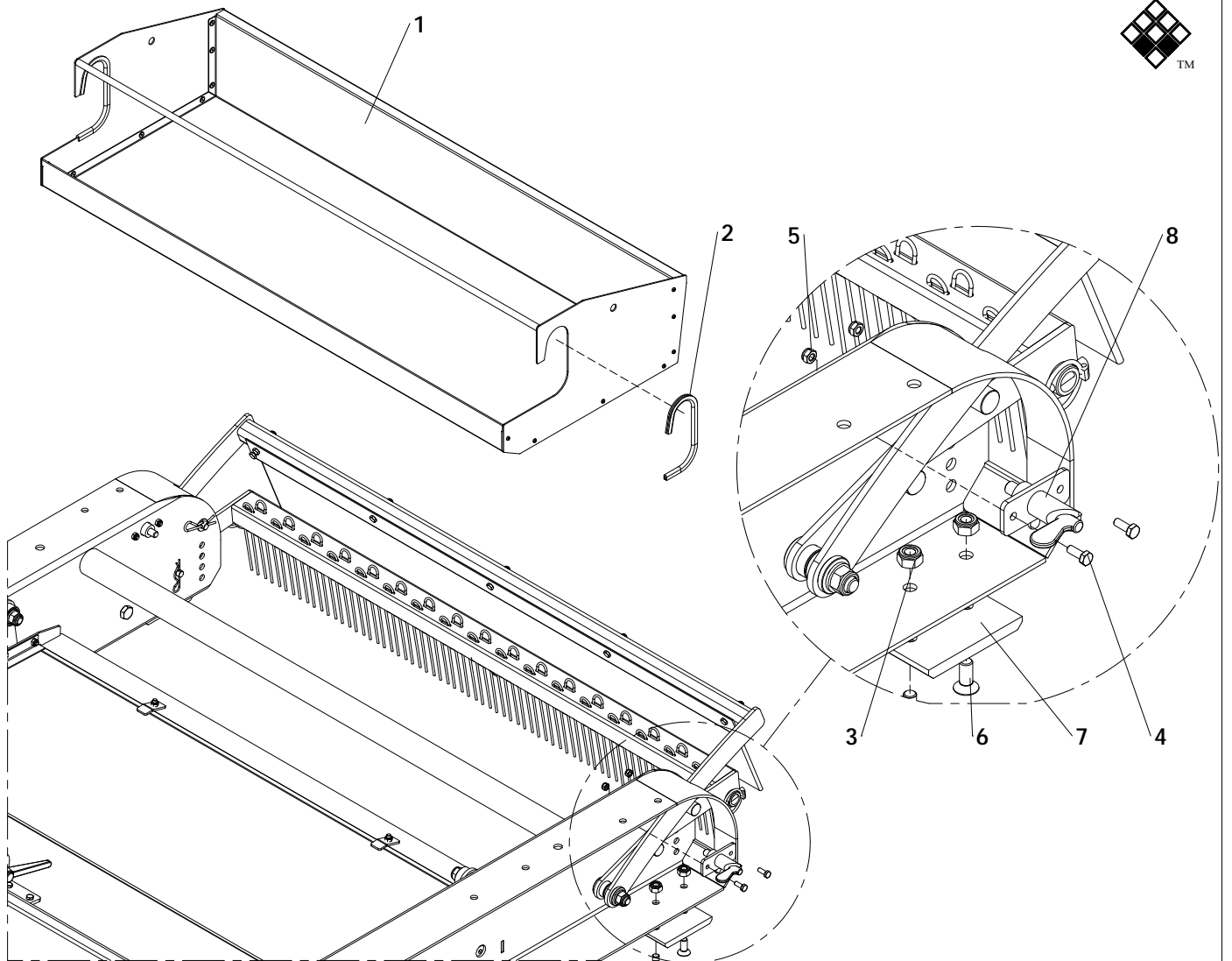
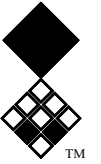
Bogy kit : page 14



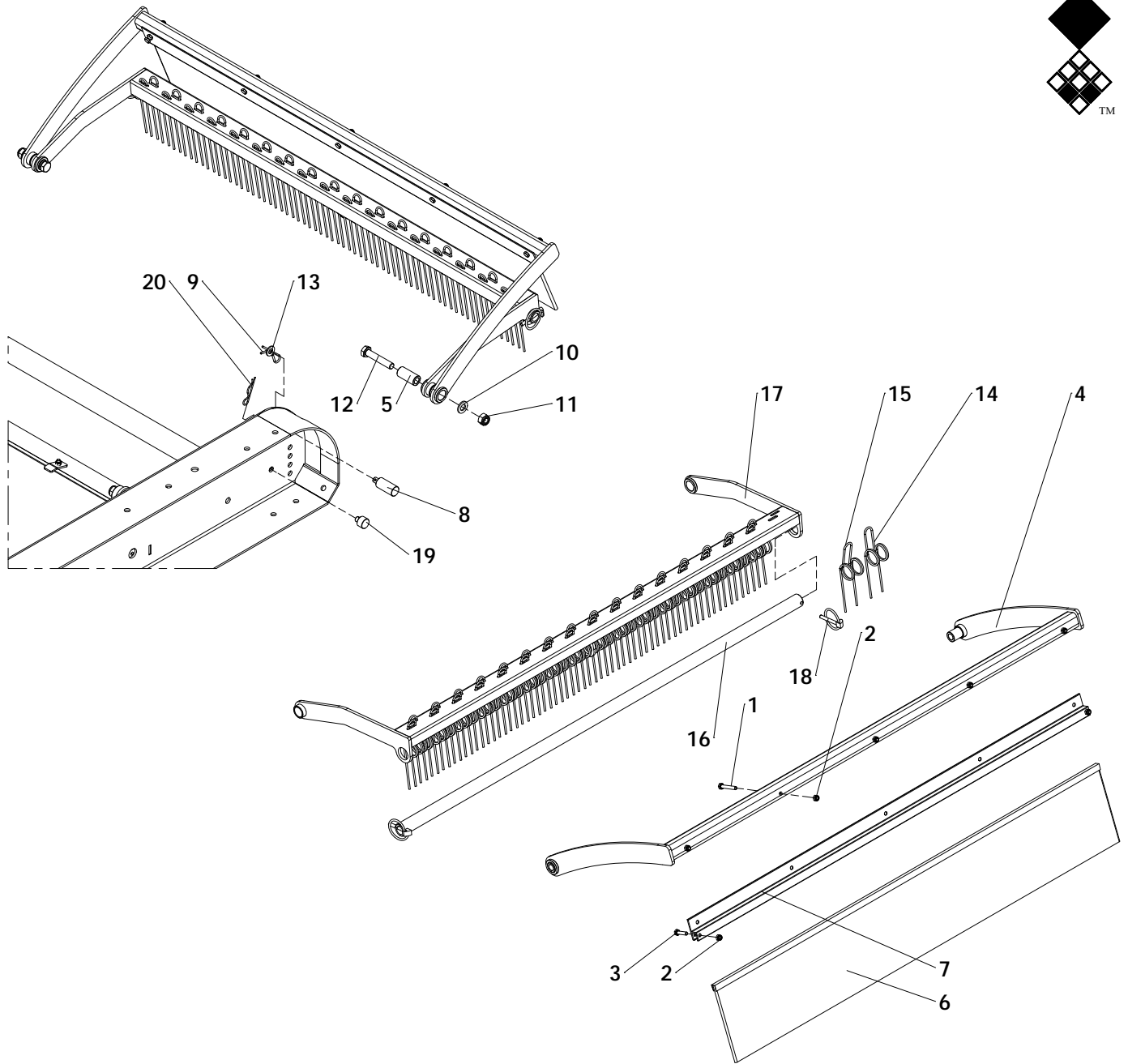
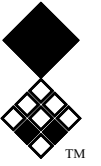
ITEM	PART NUMBER	DESCRIPTION	REMARKS	QUA
1	864.100.031	Large washer M10 - DIN 9021		2
2	804.100.300	Bolt M10 x 30 - ISO 4017		2
3	864.140.031	Large washer M14 - DIN 9021		2
4	866.080.020	Spring Washer M8 - DIN 127		2
5	804.080.350	Bolt M8 x 35 - ISO 4017		2
6	521.191.120	Top Link Pin		1
7	523.051.000	R-clip Round 5, DIN 11024		3
8	864.220.030	Washer M22 - ISO 7089		2
9	830.220.220	Self Lock Nut M22 - ISO 10511		2
10	521.221.400	Lower link pin		2
11	456.071.020	Cover left		1
12	444.803.100	Toolbox Complete		1
13	900.260.403	Logo Label		2
14	900.280.402	Safety decall manual		1
15	947.260.416	Label Speed-Clean		2
16	933.280.402	Safety decall		2
17	914.340.200	Label Up-Down		2
18	456.071.022	Cover right		1



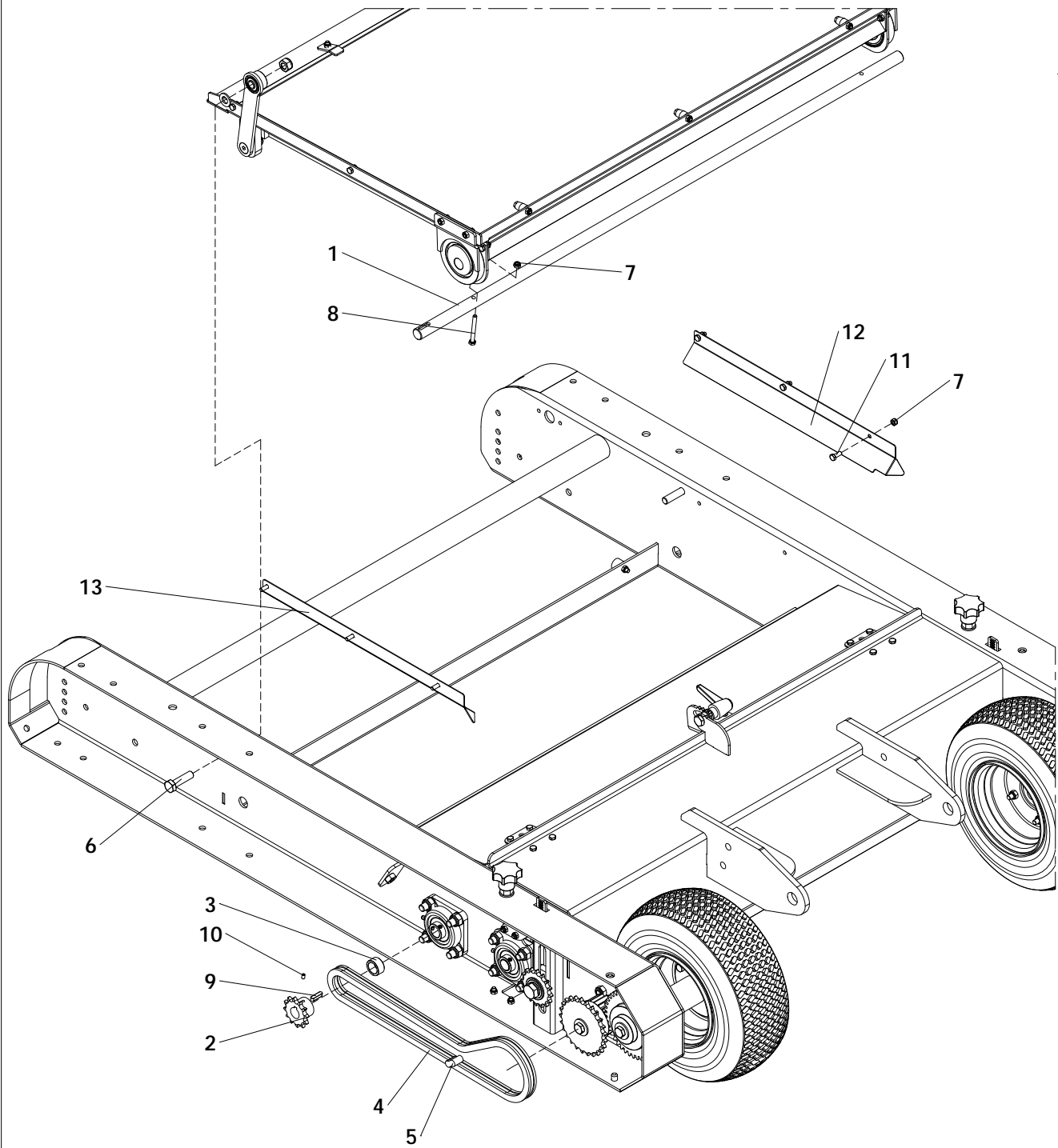
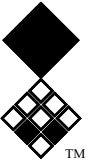
ITEM	PART NUMBER	DESCRIPTION	REMARKS	QUA
1	830.120.120	Self Lock Nut M12 - ISO 10511		8
2	802.100.900	Bolt M10 x 90 - ISO 4014		2
3	830.100.100	Self Lock Nut M10 - ISO 10511		2
4	804.120.300	Bolt M12 x 30 - ISO 4017		8
5	464.085.760	3-point strip		2
6	406.100.600	Spacer		2
7	464.061.238	Frame strip left		1
8	464.061.236	Frame strip right		1



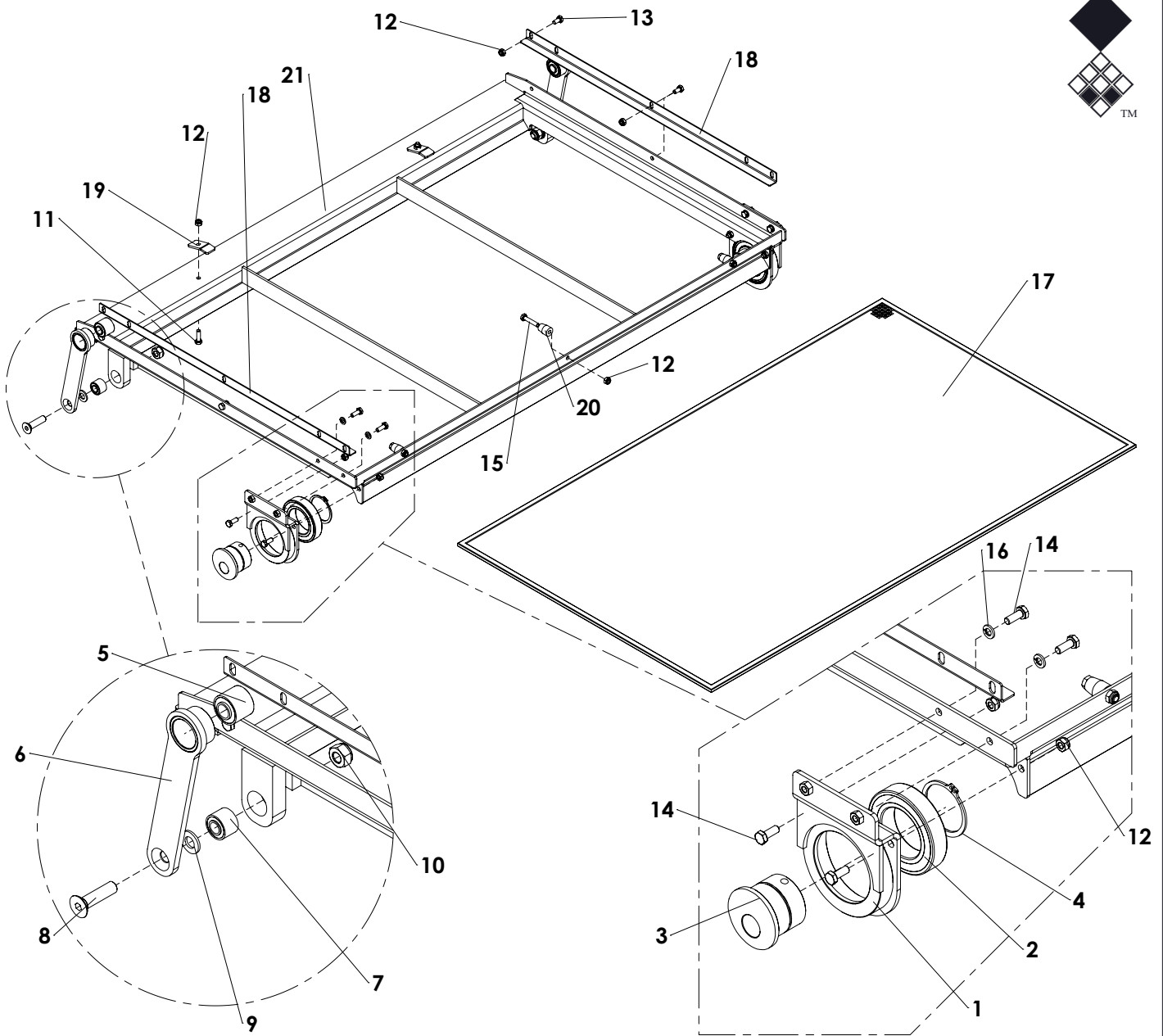
ITEM	PART NUMBER	DESCRIPTION	REMARKS	QUA
1	470.993.700	Hopper frame		1
2	446.101.200	Rubber U-seal 1-4m L=250		2
3	830.100.100	Self Lock Nut M10 - ISO 10511		4
4	804.060.160	Bolt M6 x 16 - ISO 4017		4
5	830.060.060	Self Lock Nut M6 - ISO 10511		4
6	816.100.252	Bolt M10 x 25 - DIN 7991		4
7	444.101.002	Slide plate		2
8	456.040.700	Lock		2



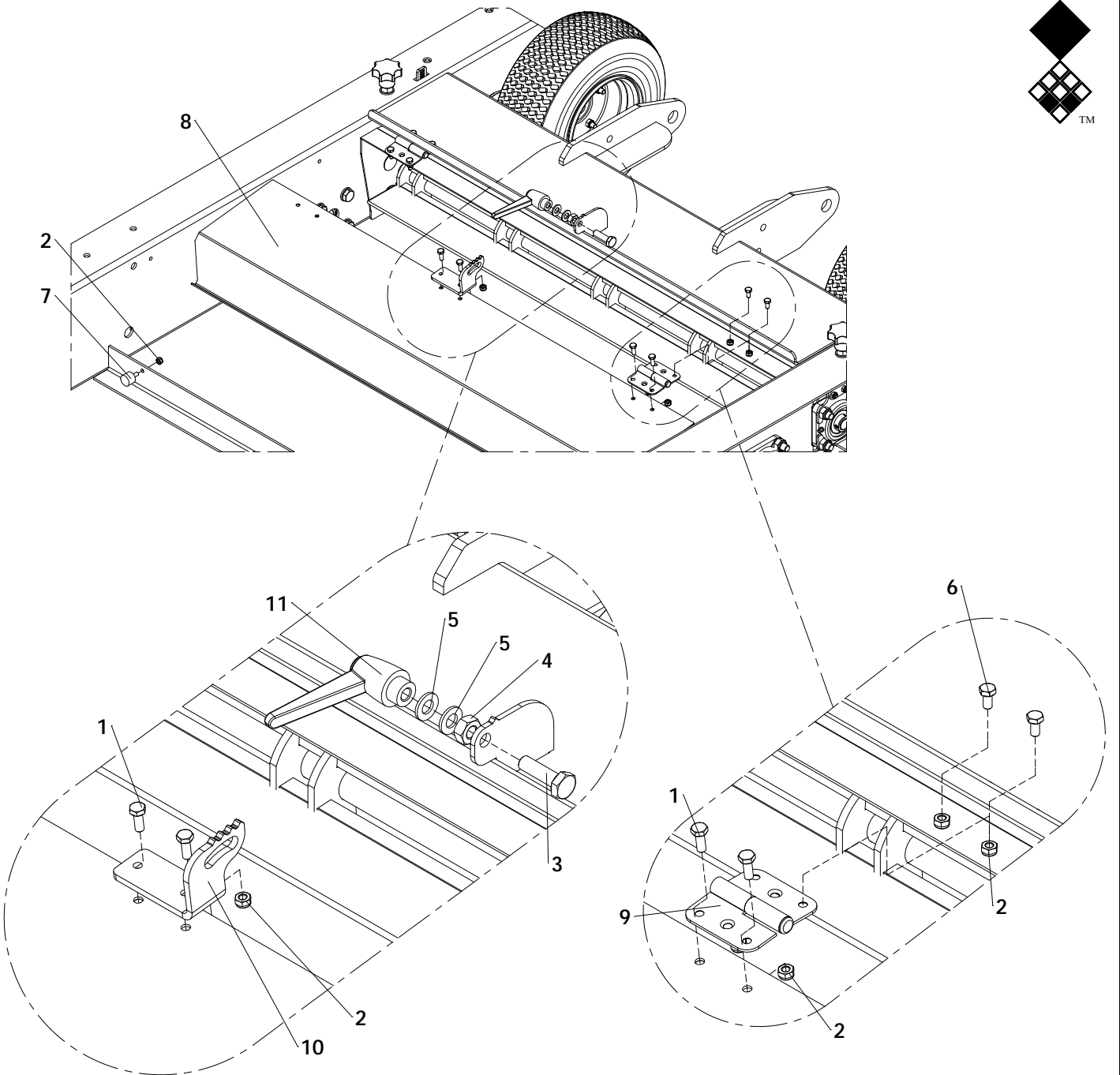
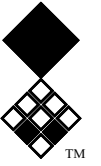
ITEM	PART NUMBER	DESCRIPTION	REMARKS	QUA
1	802.060.400	Bolt M6 x 40 - ISO 4014		5
2	830.060.060	Self Lock Nut M6 - ISO 10511		7
3	804.060.250	Bolt M6 x 25 - ISO 4017		2
4	462.099.100	Brush frame		1
5	402.120.430	Distance bush $\varnothing 20/\varnothing 12$ L=43		2
6	486.029.000	Brush WL=145 L=1020		1
7	486.179.040	H-profile L=1040		1
8	418.200.500	Brush stop		2
9	523.030.570	R-Clip D=3		2
10	864.120.030	Washer M12 - ISO 7089		2
11	830.120.120	Self Lock Nut M12 - ISO 10511		2
12	802.120.650	Bolt M12 x 65 - ISO 4014		2
13	864.100.030	Washer M10 - ISO 7089		2
14	361.103.157	Tine for rake VT	Straight	17
15	361.103.158	Tine for rake VT	Bent	17
16	476.025.106	Rake tube		1
17	470.021.040	Rake frame		1
18	523.060.320	Linch pin $\varnothing 6$		2
19	418.200.210	Rake stop		2
20	523.020.570	R-Clip D=2		2



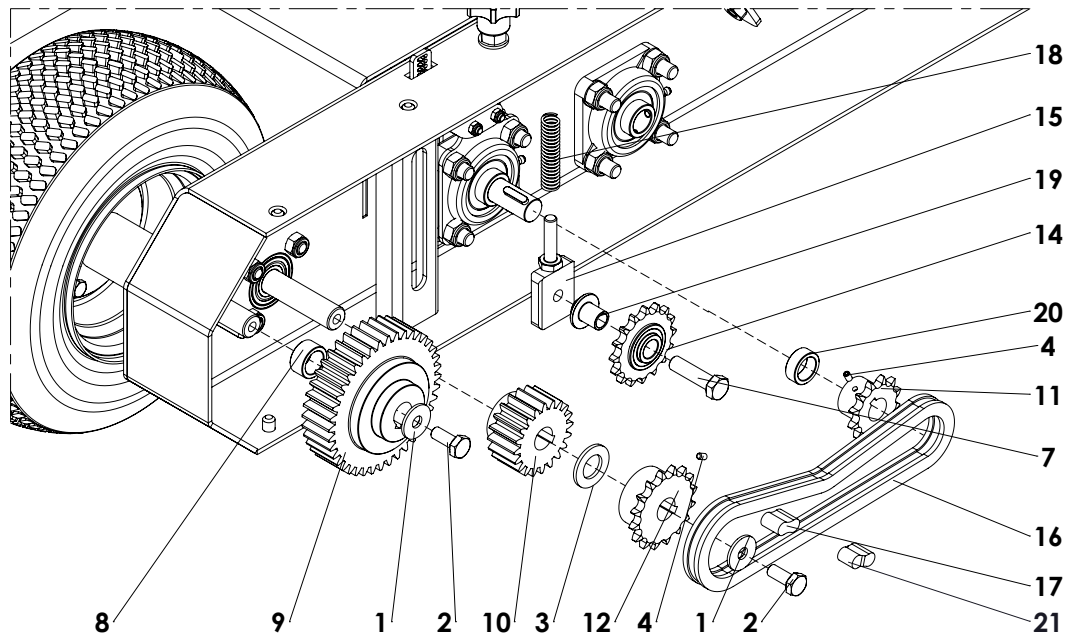
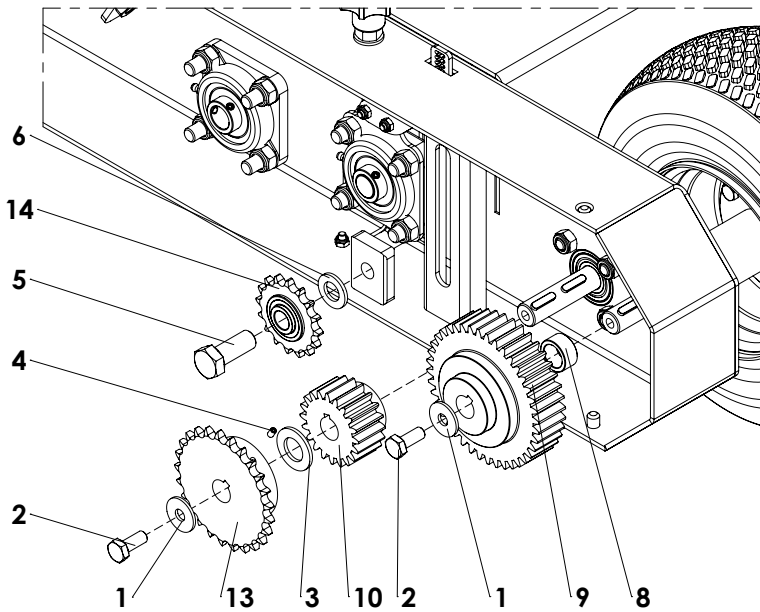
ITEM	PART NUMBER	DESCRIPTION	REMARKS	QUA
1	414.209.130	Sieve axle		1
2	635.010.560	Sprocket 1/2" (08B) Simplex 12Z		1
3	406.200.120	Bush Ø28/Ø20.2 L=14		1
4	631.011.016	Chain 1/2" L=1016		1
5	638.130.130	Chain connector 1_2 inch 8B Simplex		1
6	804.120.450	Bolt M12 x 45 - ISO 4017		2
7	830.060.060	Self Lock Nut M6 - ISO 10511		8
8	802.060.550	Bolt M6 x 55 - ISO 4014		2
9	884.060.250	Key 6x6x25 - DIN 6885		1
10	818.050.080	Set screw M5 x 8 - DIN 913		1
11	804.060.160	Bolt M6 x 16 - ISO 4017		6
12	468.025.100	Sieve guide left		1
13	468.025.102	Sieve guide right		1



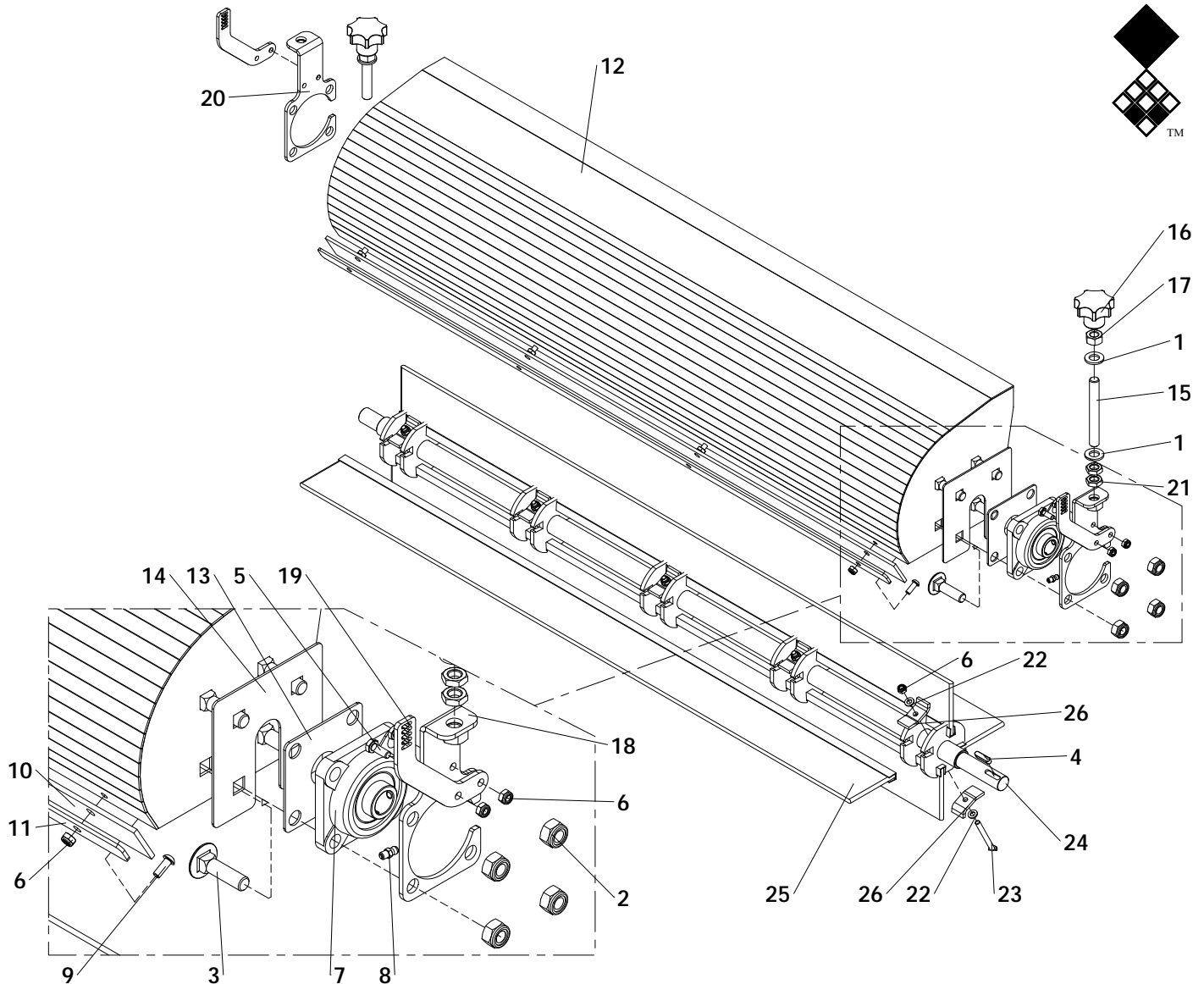
ITEM	PART NUMBER	DESCRIPTION	REMARKS	QUA
1	478.128.029	Sieve bearing		2
2	713.450.160	Bearing 6009-2RS		2
3	404.450.400	Sieve bush		2
4	870.045.180	Circlip DIN 471 - 45 x 1.75		2
5	572.120.240	Vibration damper Ø26/Ø12 L=24		2
6	470.061.652	Sieve arm		2
7	572.100.170	Vibration damper Ø22/Ø10 L=17		2
8	816.100.400	Bolt M10 x 40 - DIN 7991		2
9	864.100.030	Washer M10 - ISO 7089		4
10	830.100.100	Self Lock Nut M10 - ISO 10511		2
11	804.060.200	Bolt M6 x 20 - ISO 4017		2
12	830.060.060	Self Lock Nut M6 - ISO 10511		13
13	804.060.120	Bolt M6 x 12 - ISO 4017		4
14	804.060.160	Bolt M6 x 16 - ISO 4017		8
15	804.060.300	Bolt M6 x 30 - ISO 4017		3
16	866.060.020	Spring Washer M6 - DIN 127		4
17	458.069.700	Sieve Mesh 5x5 L=970	Standard with machine	1
	458.069.702	Sieve Mesh 10x10 L=970	Optional	1
18	468.025.704	Lock plate		2
19	464.030.460	Lock		2
20	444.150.200	Bush		3
21	494.986.420	Sieve frame		1



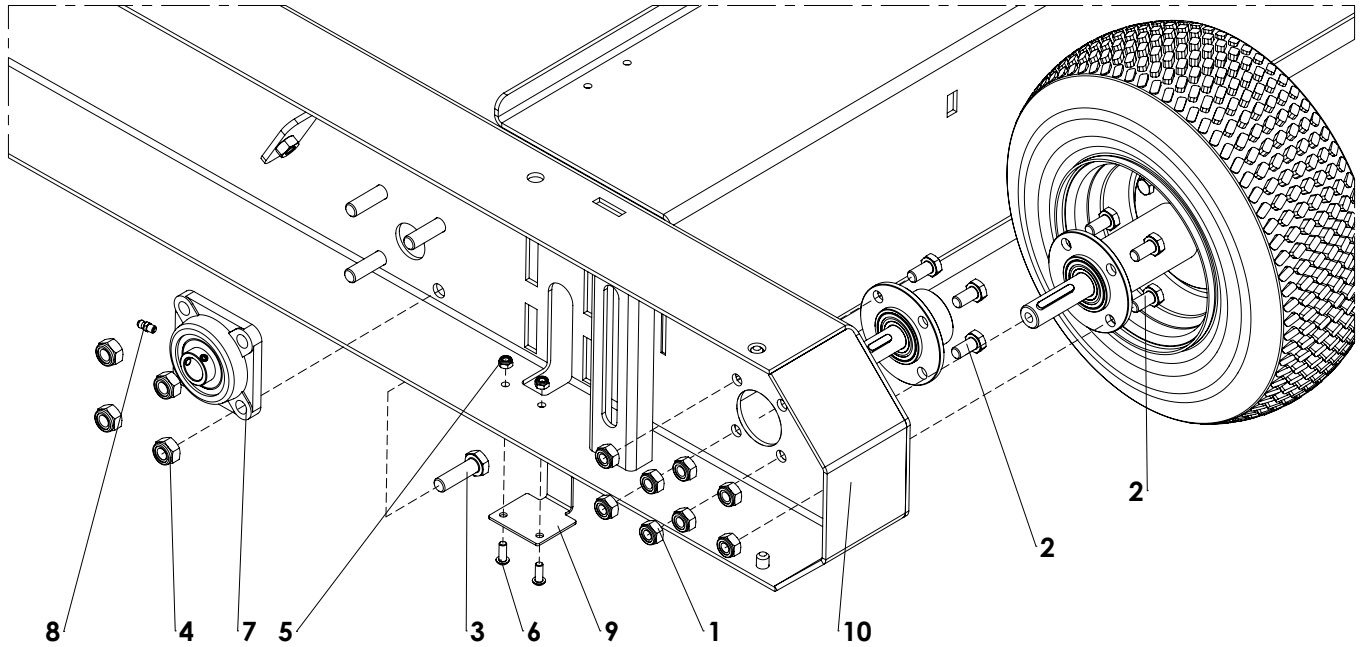
ITEM	PART NUMBER	DESCRIPTION	REMARKS	QUA
1	804.060.160	Bolt M6 x 16 - ISO 4017		6
2	830.060.060	Self Lock Nut M6 - ISO 10511		12
3	804.100.350	Bolt M10 x 35 - ISO 4017		1
4	826.100.100	Nut M10 - DIN 934		1
5	864.100.030	Washer M10 - ISO 7089		2
6	804.060.120	Bolt M6 x 12 - ISO 4017		4
7	446.220.150	Rubber stop		2
8	468.029.960	Guide		1
9	899.100.630	Hinge		2
10	468.030.702	Cover slide		1
11	590.120.460	Clamp		1



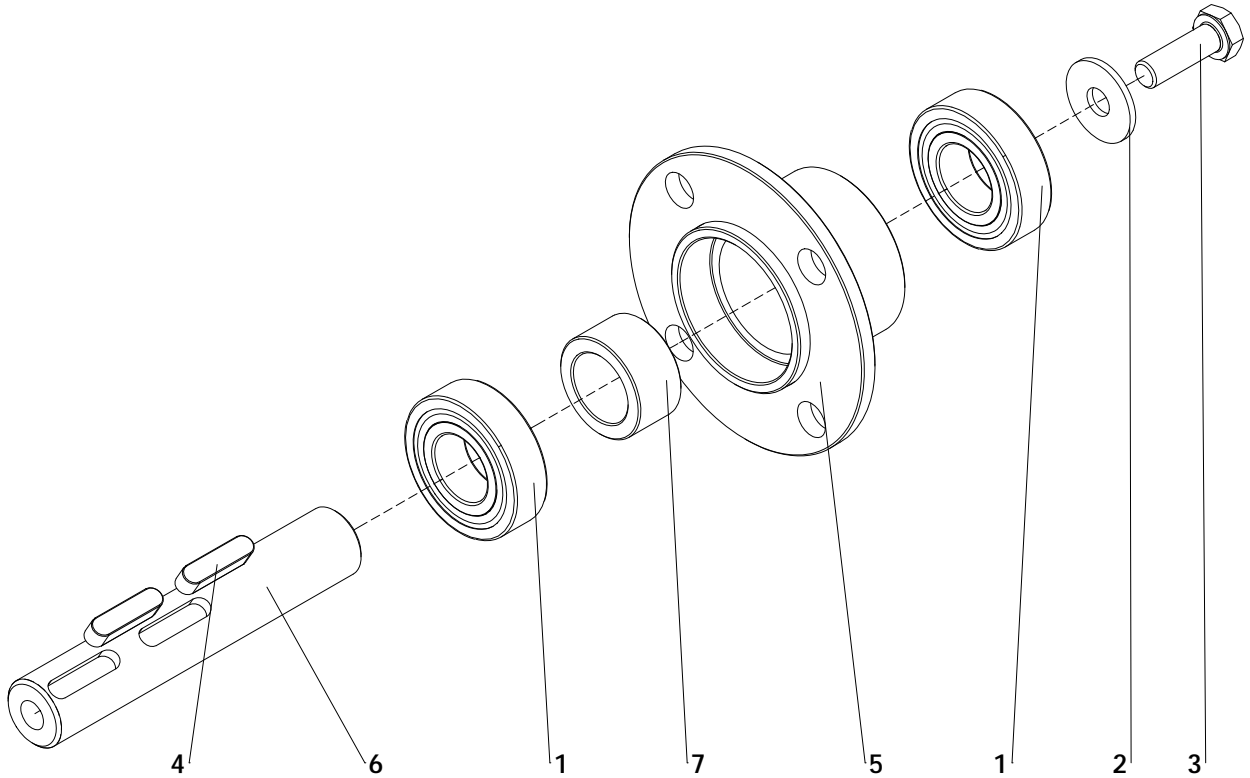
ITEM	PART NUMBER	DESCRIPTION	REMARKS	QUA
1	864.100.031	Large washer M10 - DIN 9021		4
2	804.100.250	Bolt M10 x 25 - ISO 4017		4
3	864.200.030	Washer M20 - ISO 7089		2
4	818.050.080	Set screw M5 x 8 - DIN 913		3
5	804.160.400	Bolt M16 x 40 - ISO 4017		1
6	864.160.030	Washer M16 - ISO 7089		1
7	802.120.452	Bolt M12 x 45 ISO 4014 Class 12.9		1
8	406.200.120	Bush Ø28/Ø20.2 L=14		2
9	444.501.260	Gear Z40		2
10	444.430.660	Gear Z20		2
11	635.010.560	Sprocket 1/2" (08B) Simplex 12Z		1
12	635.010.720	Sprocket 1/2" (08B) simplex 16Z		1
13	635.011.090	Sprocket 1/2" (08B) Simplex 25Z		1
14	638.010.710	Chain Spanner 1/2" KSR16LO8		2
15	466.120.970	Tensioner		1
16	631.010.610	Chain 1/2" L=610		1
17	638.130.130	Chain connector 1_2 inch 8B Simplex		1
18	576.021.150	Tensioner spring		1
19	404.160.252	Tensioner bush		1
20	406.200.102	Bush Ø28/Ø20.2 L=10.6		1
21	638.130.132	Half Chain connector 1_2 inch 8B Simplex		1



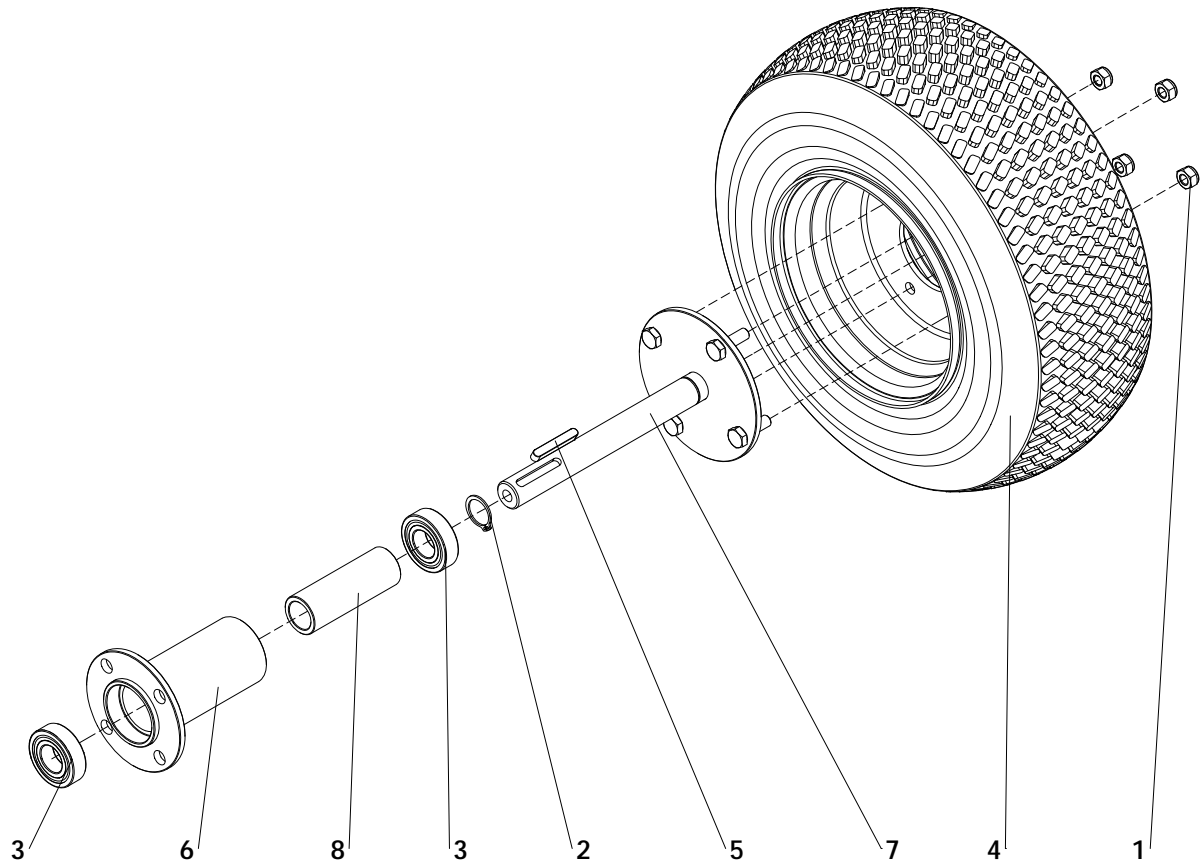
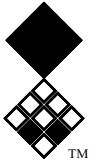
ITEM	PART NUMBER	DESCRIPTION	REMARKS	QUA
1	864.120.030	Washer M12 - ISO 7089		4
2	830.120.120	Self Lock Nut M12 - ISO 10511		8
3	820.120.450	MH Bolt M12 x 45 ISO 8677		8
4	884.060.250	Key 6x6x25 - DIN 6885		1
5	804.060.160	Bolt M6 x 16 - ISO 4017		4
6	830.060.060	Self Lock Nut M6 - ISO 10511		13
7	741.200.330	Bearing UCF 204		2
8	880.060.100	Grease nipple M6 DIN 71412A		2
9	814.060.160	Bolt M6 x 16 - ISO 7380		4
10	446.041.000	Rubber strip		1
11	464.031.000	Lock strip		1
12	494.181.000	Brush cover		1
13	444.020.850	Guide plate		2
14	444.021.200	Brush guide		2
15	416.121.000	Threaded rod		2
16	836.120.630	Knop M12		2
17	826.120.120	Nut M12 - DIN 934		2
18	470.041.660	Brush lift left		1
19	468.041.104	Indicator		2
20	470.041.662	Brush lift right		1
21	826.120.600	Low Nut M12		4
22	864.060.030	Washer M6 - ISO 7089		10
23	802.060.600	Bolt M6 x 60 - ISO 4014		5
24	472.381.130	Brush shaft		1
25	486.659.740	Brush WL=65 L=974		4
26	464.040.450	Lock plate		10



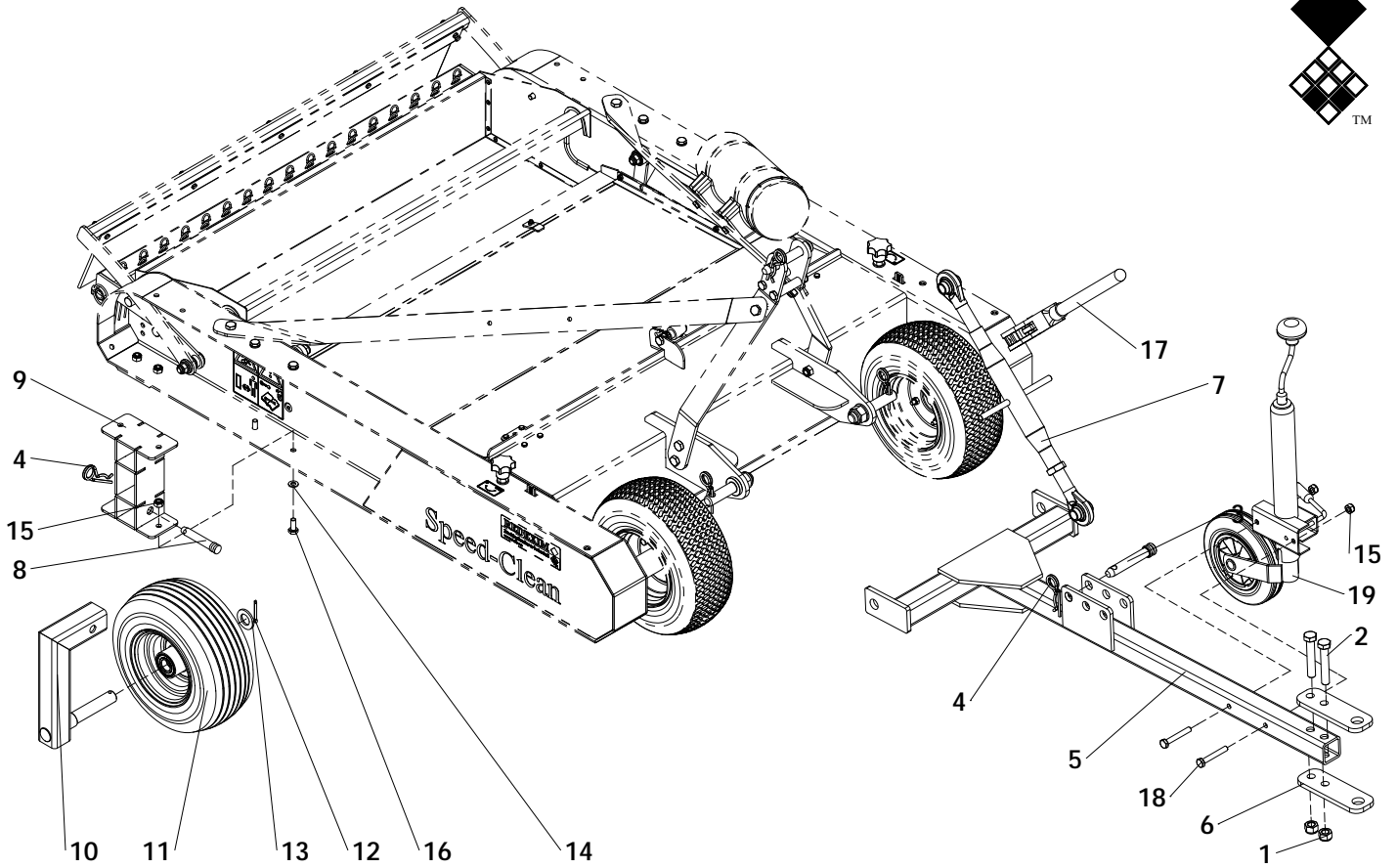
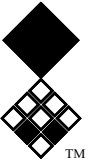
ITEM	PART NUMBER	DESCRIPTION	REMARKS	QUA
1	830.100.100	Self Lock Nut M10 - ISO 10511		16
2	804.100.200	Bolt M10 x 20 - ISO 4017		16
3	804.120.400	Bolt M12 x 40 - ISO 4017		8
4	830.120.120	Self Lock Nut M12 - ISO 10511 Class 10		8
5	830.060.060	Self Lock Nut M6 - ISO 10511		2
6	814.060.160	Bolt M6 x 16 - ISO 7380		2
7	741.200.330	Bearing UCF 204		2
8	880.060.100	Grease nipple M6 DIN 71412A		2
9	468.020.550	Cover		1
10	494.120.149	Frame Speed-Clean 1000		1



ITEM	PART NUMBER	DESCRIPTION	REMARKS	QUA
1	713.200.120	Bearing 6004 2HRS	Qua per machine	4
2	864.080.024	Large washer M8 - DIN 9021	Qua per machine	2
3	804.080.250	Bolt M8 x 25 - ISO 4017	Qua per machine	2
4	884.060.250	Key 6x6x25 - DIN 6885	Qua per machine	4
5	478.088.040	Bearing bracket drive shaft	Qua per machine	2
6	414.201.160	Shaft	Qua per machine	2
7	406.200.160	Distance bush Ø30/Ø20.5 L=16	Qua per machine	2



ITEM	PART NUMBER	DESCRIPTION	REMARKS	QUA
1	830.080.080	Self Lock Nut M8 - ISO 10511	Qua per machine	8
2	870.020.120	Circlip d=20 - DIN 471	Qua per machine	2
3	713.200.120	Bearing 6004 2HRS	Qua per machine	4
4	511.325.134	Wheel complete 13x5-6 block	Qua per machine	2
5	884.060.400	Key 6x6x40 - DIN 6885	Qua per machine	2
6	478.088.105	Bearing bracket wheel shaft	Qua per machine	2
7	474.202.040	Wheel shaft	Qua per machine	2
8	406.200.810	Distance bush Ø28/Ø20.2 L=81	Qua per machine	2



ITEM	PART NUMBER	DESCRIPTION	REMARKS	QUA
1	830.160.160	Self Lock Nut M16 - ISO 10511		2
2	802.160.900	Bolt M16 x 90 - ISO 4014		2
3	521.191.120	Top Link Pin		1
4	523.051.000	R-clip Round 5, DIN 11024		3
5	494.490.110	Drawbar SpeedClean 1000		1
6	464.101.800	Pull Eye Plate Bogy		2
7	522.194.180	Toplink Cat. 1 L0=418 Stroke=200 1/8"		1
8	521.161.076	3-point pin Ø16		2
9	494.201.600	Wheel bracket weldment		2
10	494.271.870	Wheel mounting weldment		2
11	511.325.135	Wheel AGRI 31 - 13x5.00-6		2
12	882.050.400	Cotter Pin 5 x 40 - DIN 94		2
13	864.240.044	Washer M24 - ISO 7089		2
14	864.100.030	Washer M10 - ISO 7089		8
15	830.100.100	Self Lock Nut M10 - ISO 10511		10
16	804.100.250	Bolt M10 x 25 - ISO 4017		8
17	529.434.000	Ratchett for toplink		1
18	802.100.700	Bolt M10 x 70 - ISO 4014		2
19	525.484.000	Spindle STR1620		1
	247.100.000	Bogy kit assembly		