

Verti-Air® 400

Redexim 

PARTS MANUAL



Version: PM145.400.000-2423

Applies to:

145.400.000 Verti-Air® 400A

145.400.001 Verti-Air® 400B

145.400.002 Verti-Air® 400C

145.400.003 Verti-Air® 400D

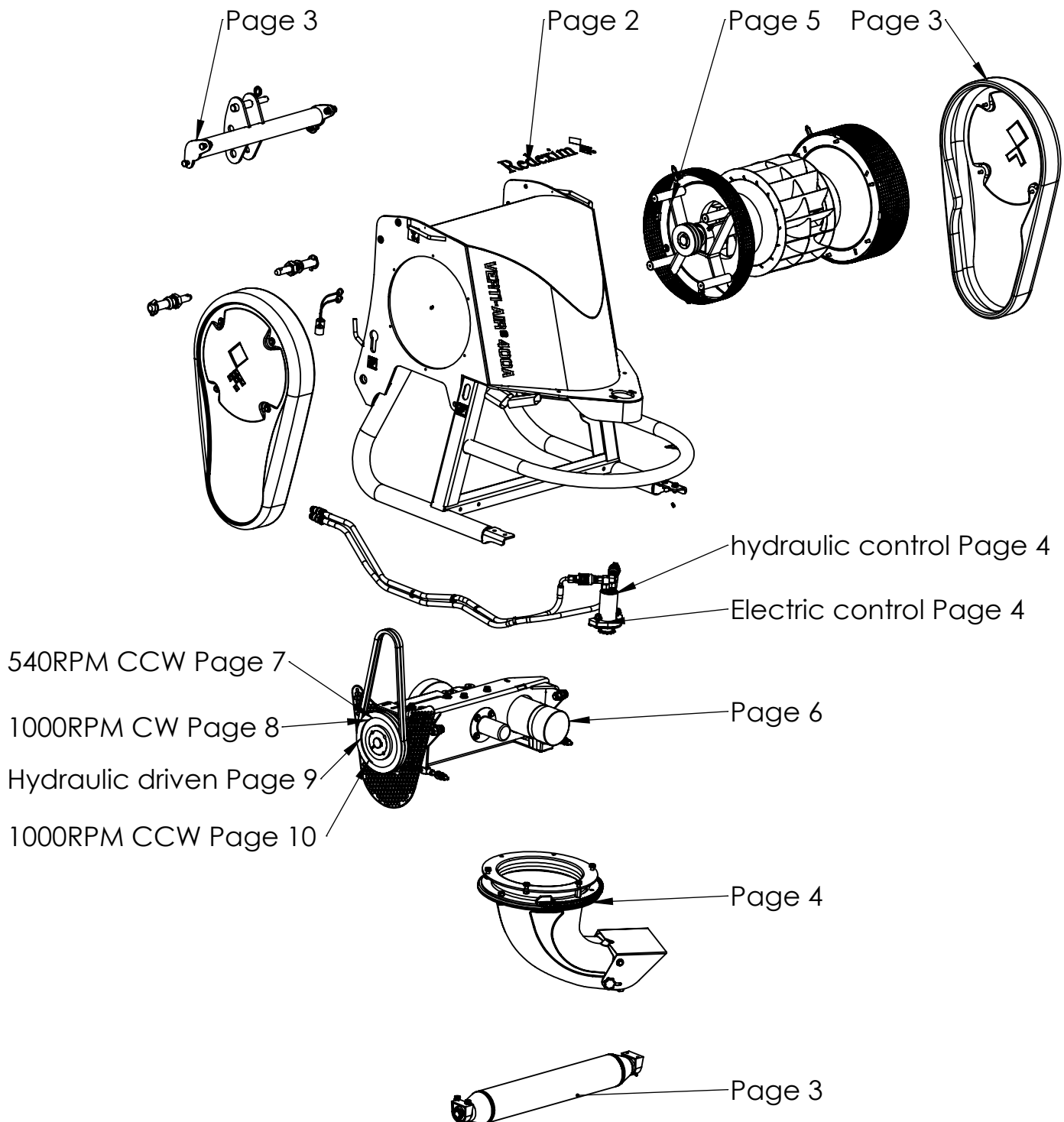
145.400.004 Verti-Air® 400E



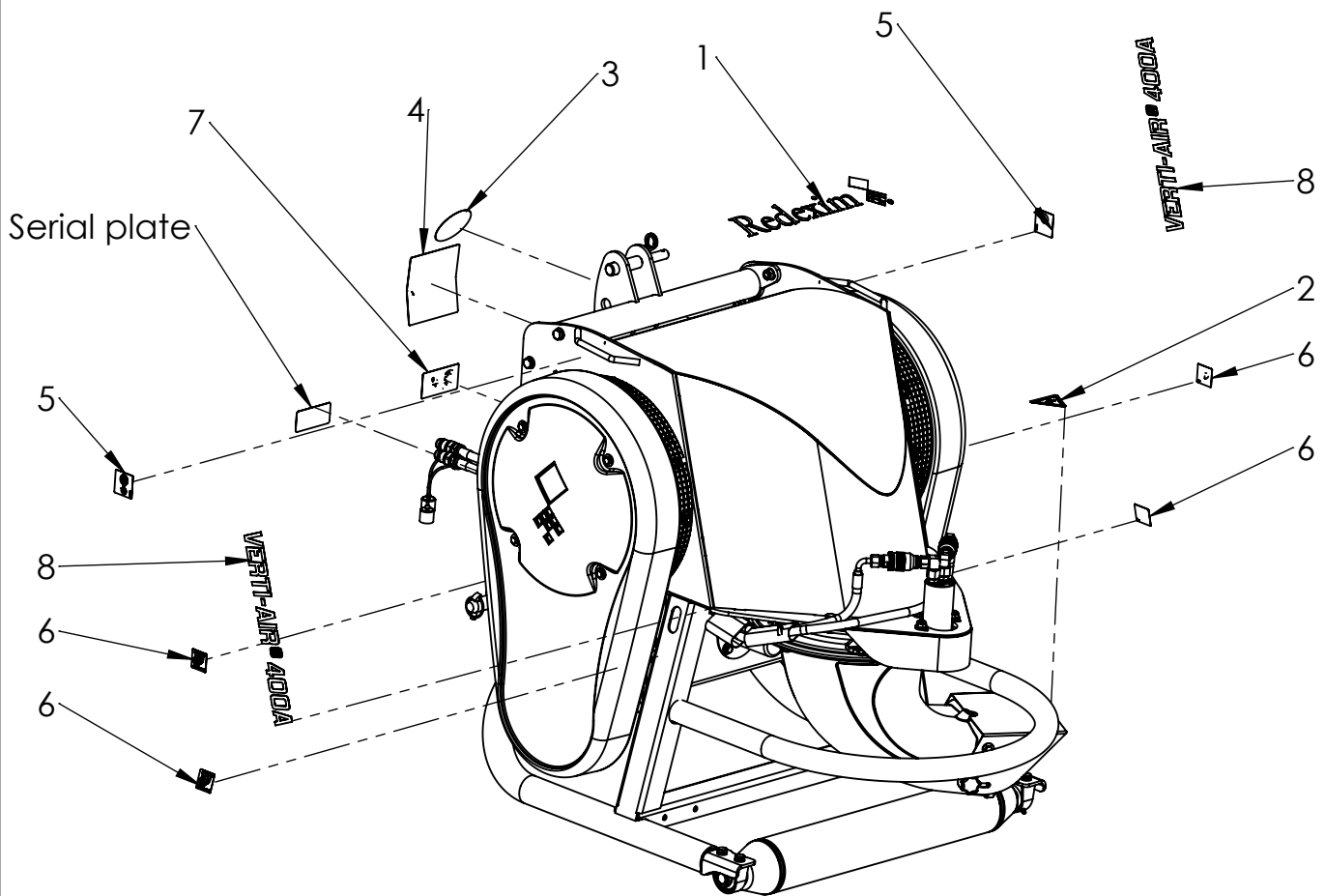
Redexim

scan for manuals and product registration

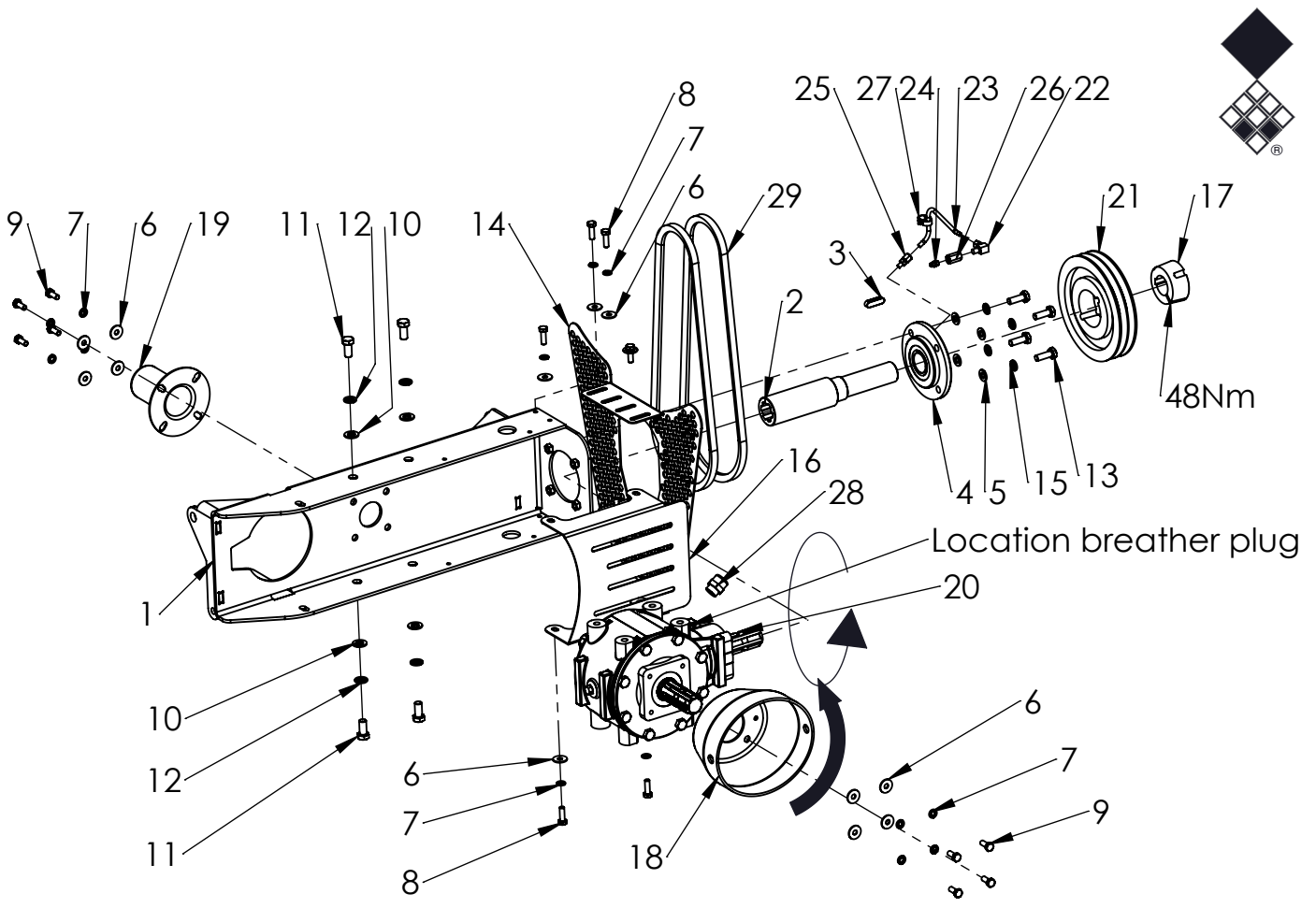
Redexim B.V. | Kwekerijweg 8 | 3709 JA Zeist | The Netherlands
T: +31 (0)306 933 227 | E: redexim@redexim.com | W: www.redexim.com



For all types

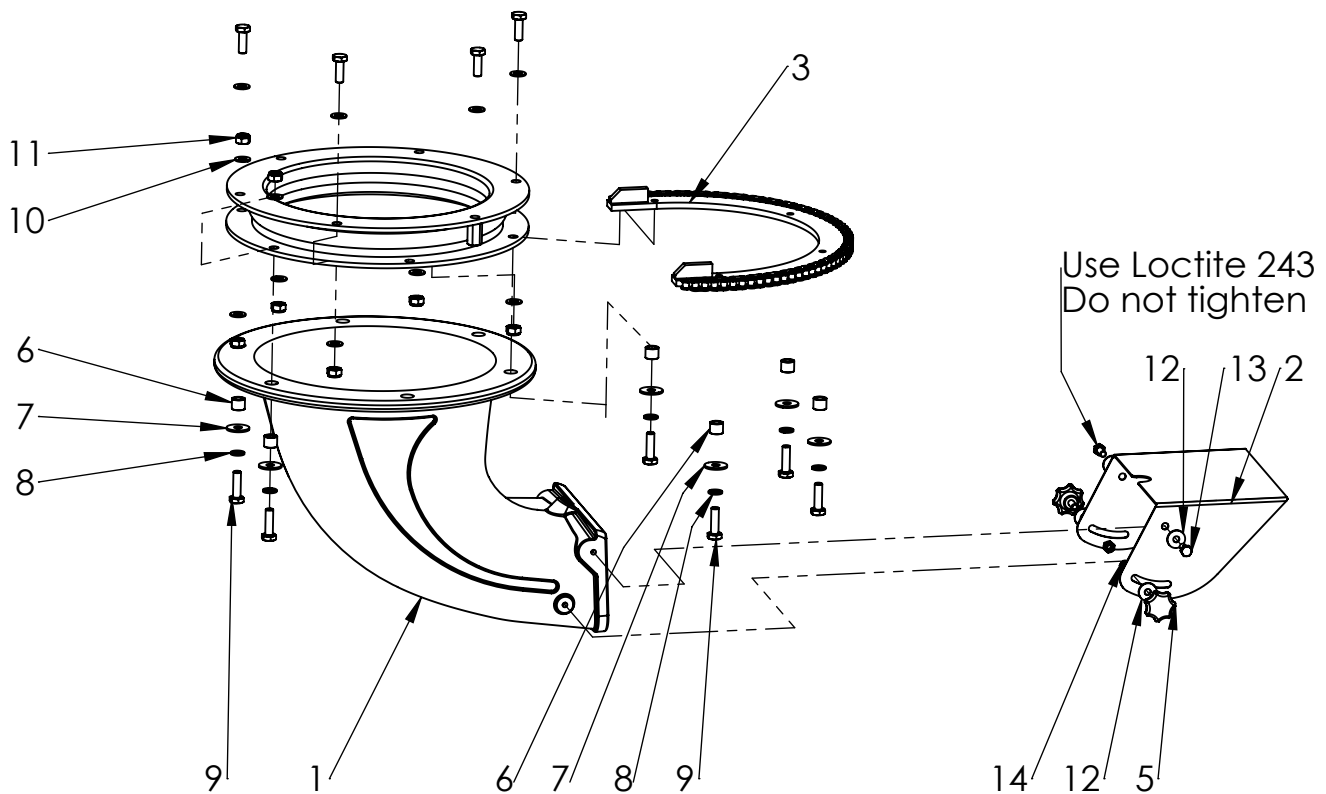


ITEM	PART NUMBER	DESCRIPTION	REMARKS	QUA Type A	QUA Type B	QUA Type C	QUA Type D	QUA Type E
1	900.261.430	Logo Label		1	1	1	1	1
2	900.280.404	Decal cut off fingers		1	1	1	1	1
3	911.340.410	Safety decall noise		1	1	1	1	1
4	933.280.402	Safety decal		1	1	1	1	1
5	953.340.000	Decall lifting point		2	2	2	2	2
6	922.340.008	Decall fixation point		4	4	4	4	4
7	900.260.424	PTO Label 540 RPM		1				1
8	945.260.105	Decal Verti-Air 400A		2				
8	945.260.106	Decal Verti-Air 400B			2			
8	945.260.107	Decal Verti-Air 400C				2		
8	945.260.108	Decal Verti-Air 400D					2	
8	945.260.109	Decal Verti-Air 400E						2
7	900.260.432	PTO Label 1000 RPM CW			1			
7	900.260.426	PTO Label 1000 RPM					1	

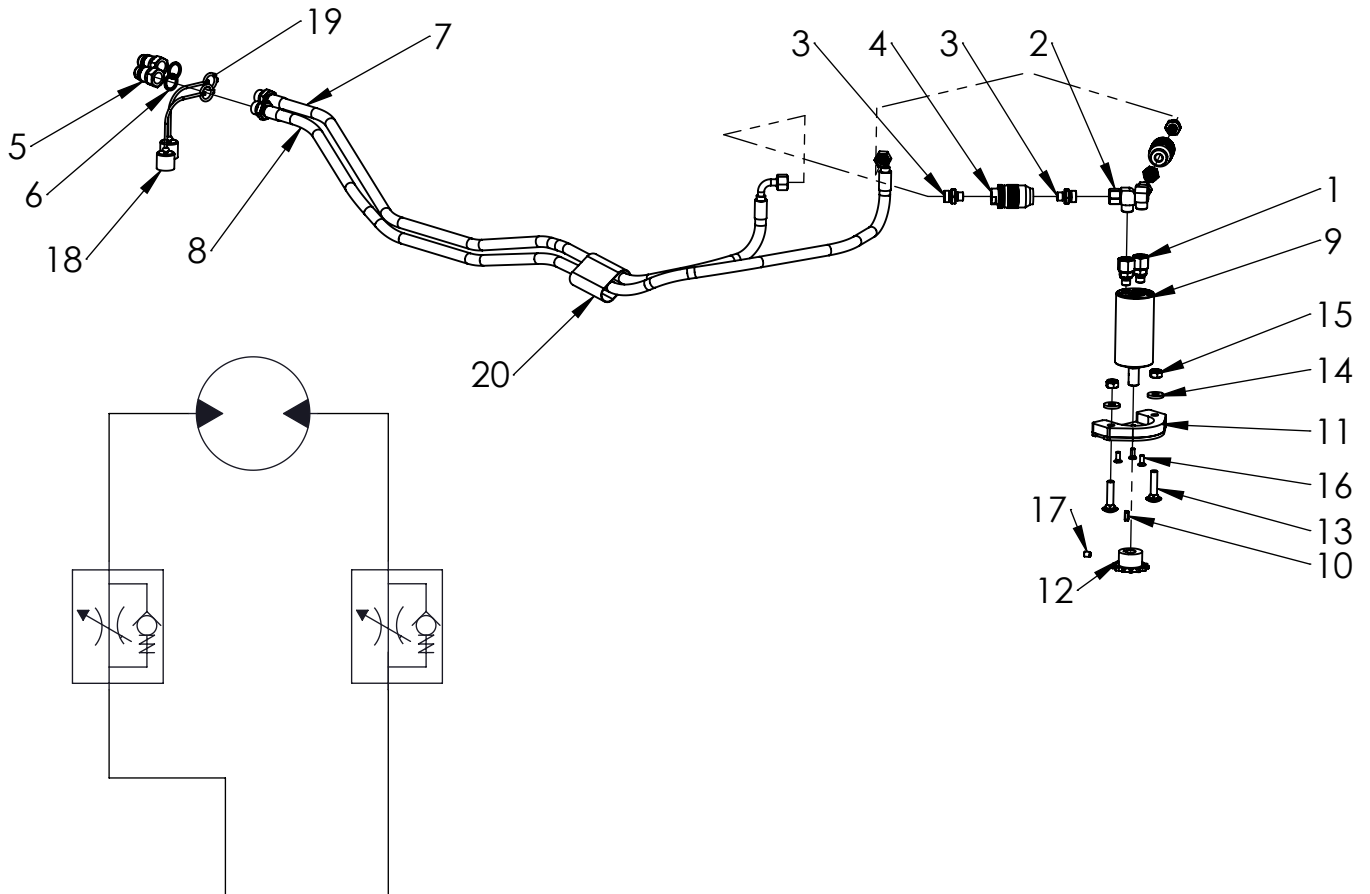


ITEM	PART NUMBER	DESCRIPTION	REMARKS	QUA
1	TR-010.1300.06	Tensioner frame		1
2	TR-10.03033	shaft		1
3	884.100.360	Key 10x8x36 - DIN 6885		1
4	741.350.390	Bearing PME 35-N		1
5	864.100.030	Washer M10 - ISO 7089		4
6	864.080.024	Large washer M8 - DIN 9021		15
7	866.080.020	Spring Washer M8 - DIN 127		15
8	804.080.250	Bolt M8 x 25 - ISO 4017		7
9	804.080.200	Bolt M8 x 20 - ISO 4017		8
10	864.120.030	Washer M12 - ISO 7089		4
11	804.120.250	Bolt M12 x 25 - ISO 4017		4
12	866.120.020	Spring Washer M12 - DIN 127		4
13	804.100.300	Bolt M10 x 30 - ISO 4017		4
14	468.023.950	Guard cover		1
15	866.100.020	Spring Washer M10 - DIN 127		4
16	TR-010.1300.05	Cover		1
17	648.352.012	Taperlock 2012 - 35mm		1
18	619.200.111	PTO Cover		1
19	599.021.072	PTO shaft cover		1
20	622.155.241	Comer gearbox T-304A 1.93:1		1
21	646.011.802	Pulley		1
22	899.082.004	Coupling grease system		1
23	596.061.752	Grease hose L=175		1
24	880.080.100	Grease nipple M8		1
25	596.120.244	Grease nipple connector		1
26	826.080.240	Hexagon Connection Nut M8		1
27	899.082.004	Cable tie		1
28	537.120.300	Breather 1/2"		1
29	642.131.150	V-Belt XPA 1157 VTP		2

For all types

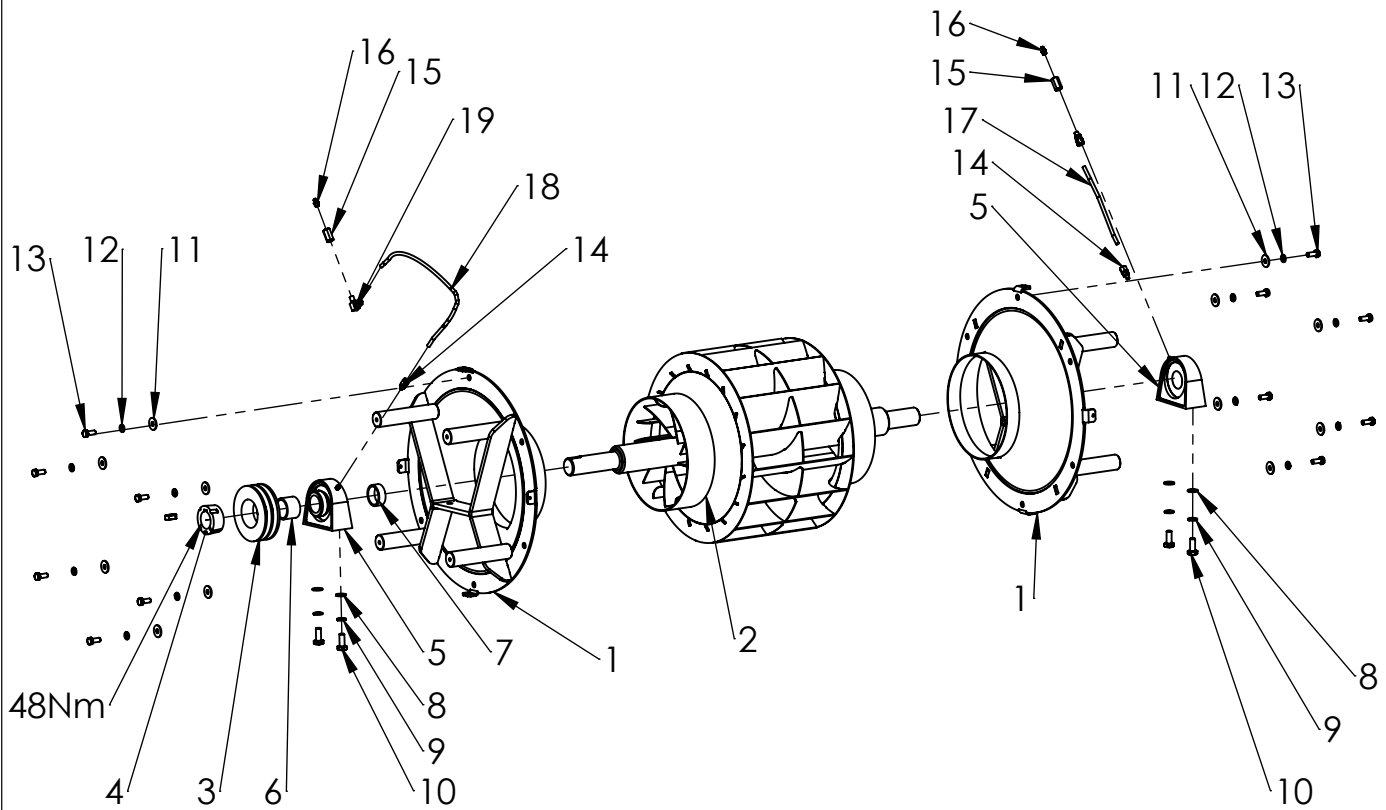


ITEM	PART NUMBER	DESCRIPTION	REMARKS	QUA
1	TR-010.050.06	Exhaust tunnel		1
2	TR-010.0505.03	Outletflap		1
3	TR-010.0602-A2	Chain Guide		1
4	752.290.552	Turntable		1
5	836.080.404	Knob		2
6	TR-010.0505.12	Shot sleeve		6
7	864.100.031	Large washer M10 - DIN 9021		6
8	866.100.020	Spring Washer M10 - DIN 127		6
9	804.100.350	Bolt M10 x 35 - ISO 4017		6
10	864.100.030	Washer M10 - ISO 7089		11
11	830.100.100	Self Lock Nut M10 - ISO 10511		7
12	864.080.024	Large washer M8 - DIN 9021		4
13	804.080.200	Bolt M8 x 20 - ISO 4017		2
14	830.080.080	Self Lock Nut M8 - ISO 10511		2



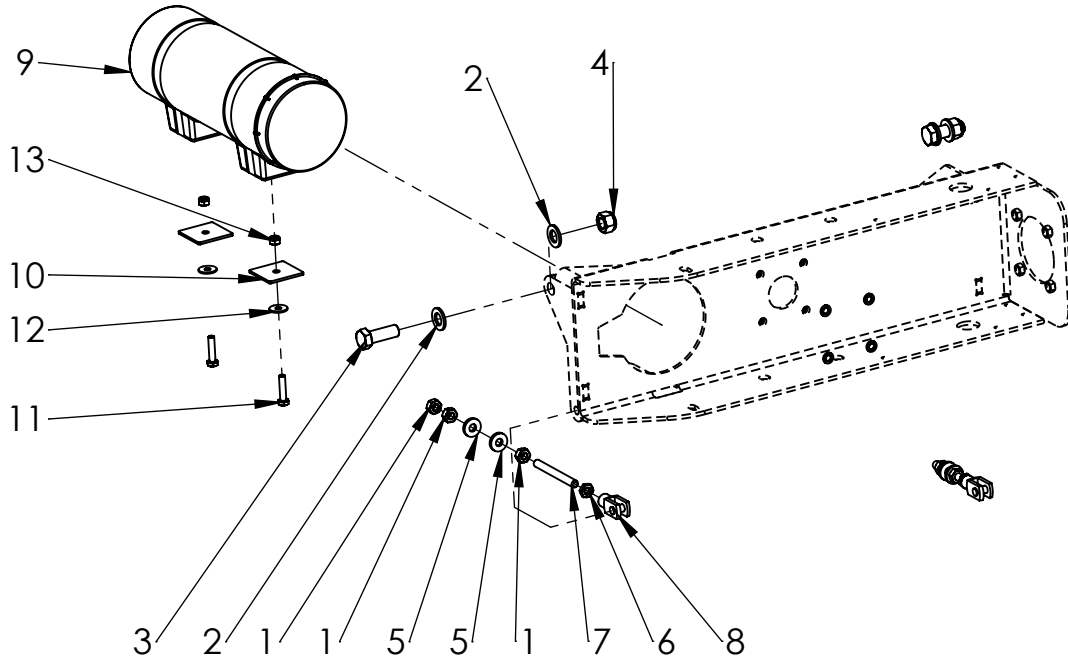
ITEM	PART NUMBER	DESCRIPTION	REMARKS	QUA
1	543.172.120	Joint connector straight 3/8"x 12mm prem.		2
2	544.120.361	L-Connector		2
3	544.130.120	Nipple BSP 1_4" x pipe 12 (M18)		4
4	536.340.622	Flow control non return valve 1/4 BSP		2
5	545.210.800	Quick connector male 1/2"		2
6	874.210.020	Copper washer 1_2		2
7	541.172.352	Hydraulic hose NST10 L=2350 PGLO 10-18-90 PN 10-8		1
8	541.172.602	Hydraulic hose NST10 L=2600 PN 10-8 PGLO 10-18-90		1
9	532.601.520	H-motor OMM32		1
10	884.050.160	Key 5x5x16 - DIN 6885		1
11	TR-010.0603.03	Adapter		1
12	635.010.600	Sprocket 1/2"z=13 Ø16 Sp5		1
13	820.100.450	MH Bolt M10 x 45 ISO 8677		2
14	864.100.063	Washer M10 - DIN 7349		2
15	830.100.100	Self Lock Nut M10 - ISO 10511		2
16	816.060.160	Bolt M6 x 16 - DIN 7991		3
17	818.080.100	Set screw M8 x 10 - DIN 913		1
18	539.241.502	Hydraulic connector dust cap RED		1
19	539.241.500	Hydraulic connector dust cap green		1
20	549.461.500	Protection sleeve MSHA 46 L=1500		1

For all Types

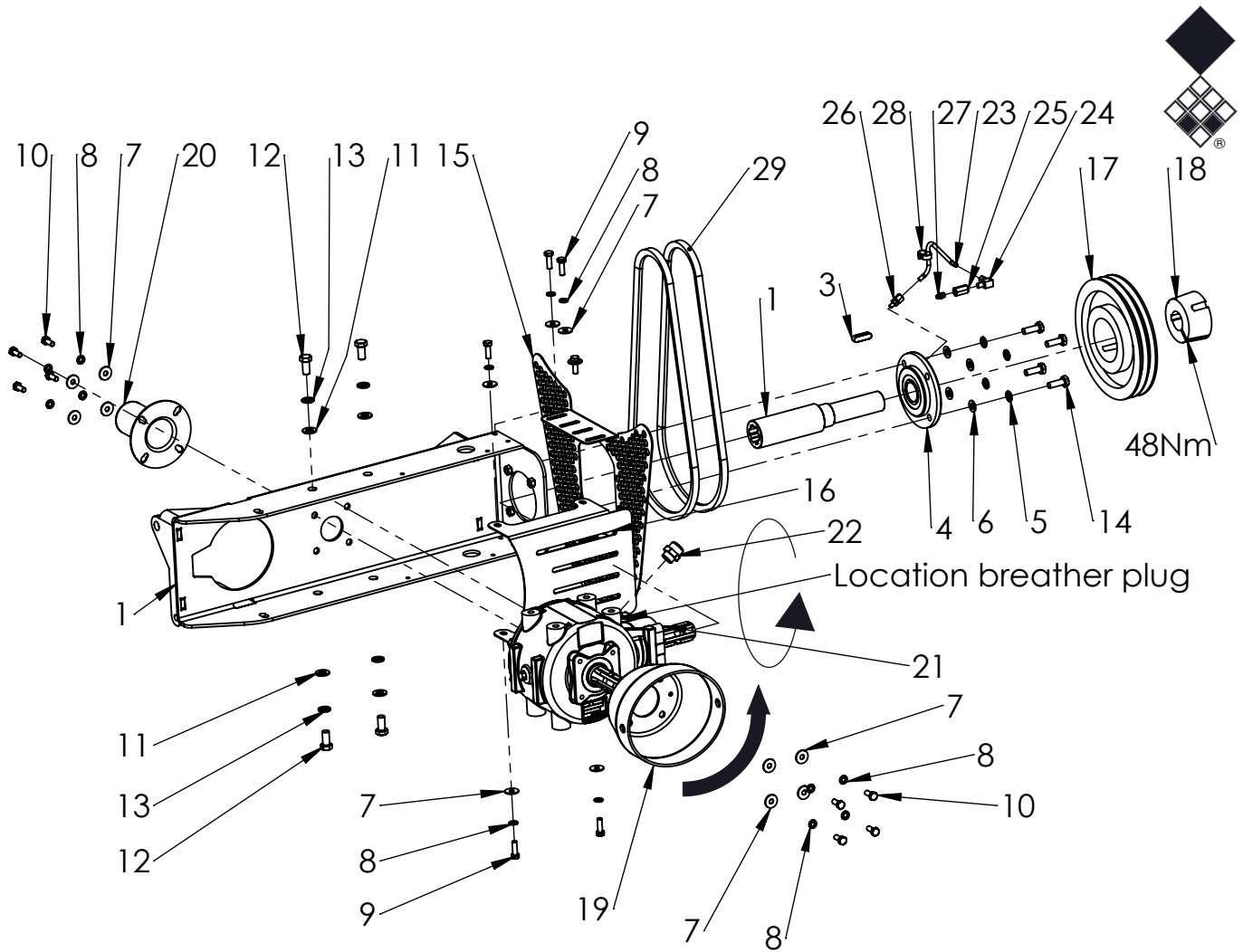


ITEM	PART NUMBER	DESCRIPTION	REMARKS	QUA
1	TR-010.0211.03	Bearing fixture symmetric		2
2	TR-010.0211.05	Impeller		1
3	643.350.111	V-Belt pulley 106A2TL		1
4	648.351.610	Taperlock 1610 - 35 mm		1
5	743.350.500	Bearing PSHE35		2
6	TR-010.0211.18	Bush Ø1 1/4" L=30		1
7	412.420.150	Distance bush		1
8	864.100.030	Washer M10 - ISO 7089		4
9	866.100.020	Spring Washer M10 - DIN 127		4
10	804.100.250	Bolt M10 x 25 - ISO 4017		4
11	864.080.024	Large washer M8 - DIN 9021		12
12	866.080.020	Spring Washer M8 - DIN 127		12
13	804.080.200	Bolt M8 x 20 - ISO 4017		12
14	596.120.244	Grease nipple connector		2
15	826.080.240	Hexagon Connection Nut M8		2
16	880.080.100	Grease nippel M8		2
17	596.061.750	Grease hose L=175		1
18	596.065.000	Grease hose L=500		1
19	899.082.004	Coupling grease system		1

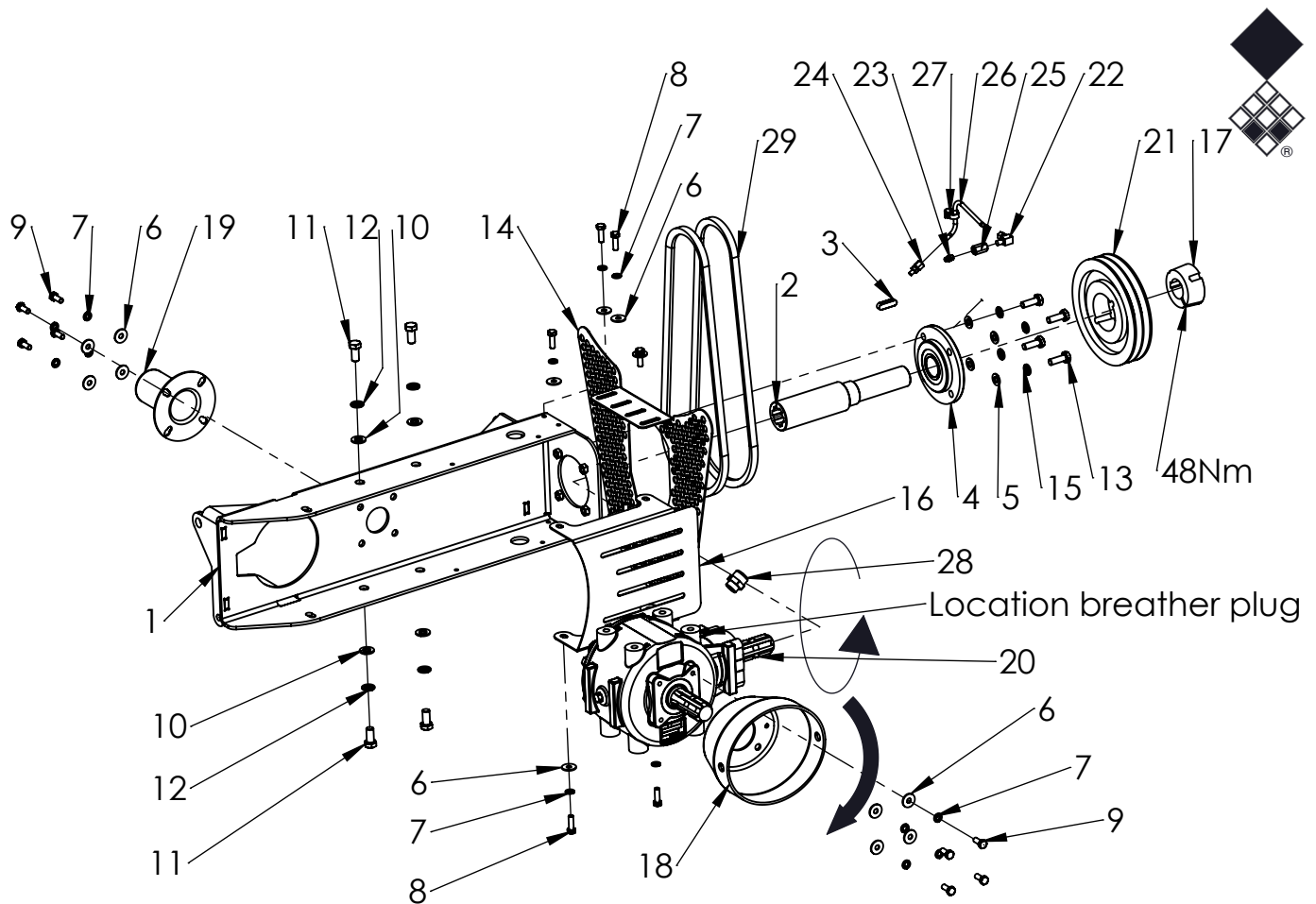
For all types



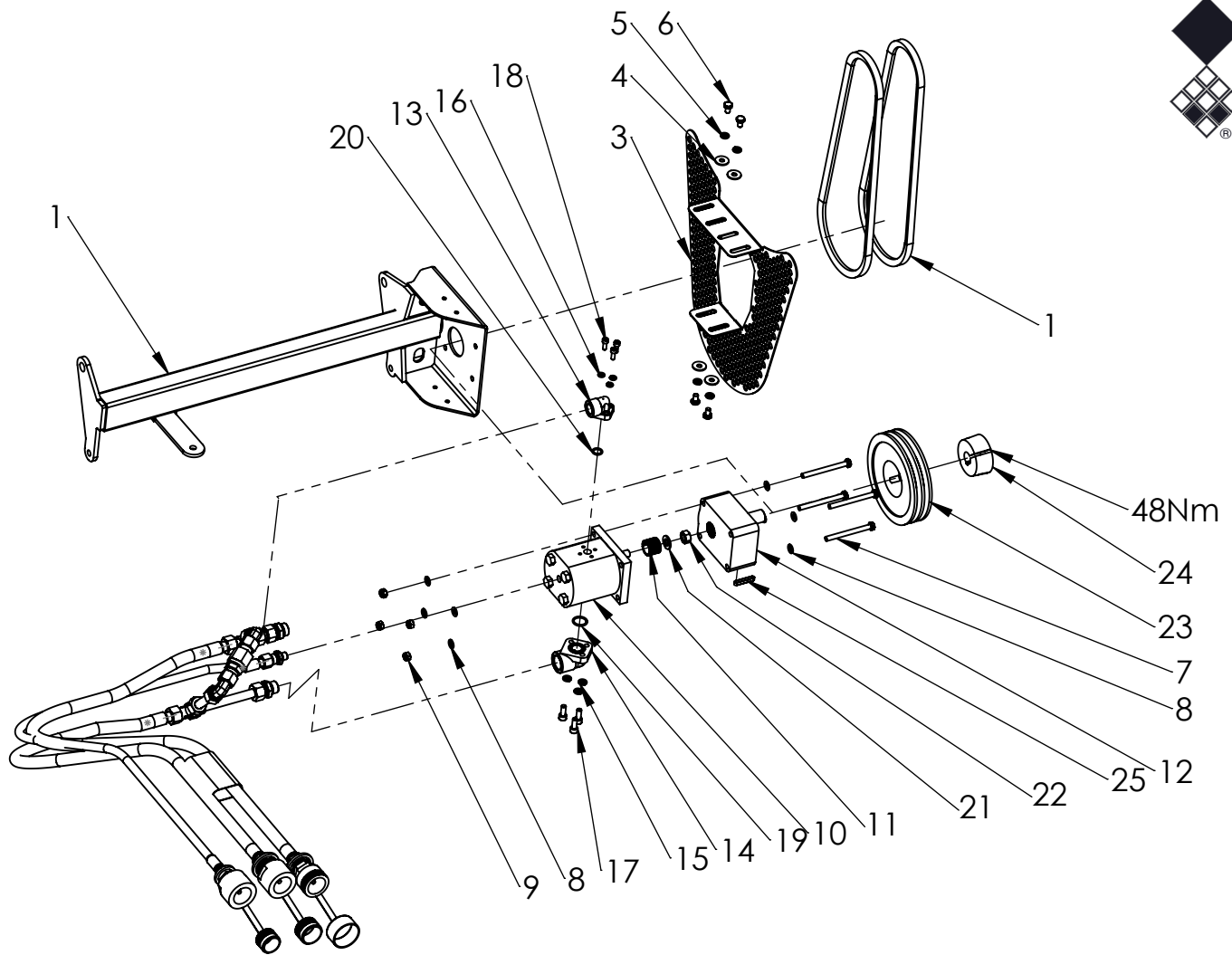
ITEM	PART NUMBER	DESCRIPTION	REMARKS	QUA
1	826.100.100	Nut M10 - DIN 934		6
2	864.160.030	Washer M16 - ISO 7089		4
3	804.160.450	Bolt M16 x 45 - ISO 4017		2
4	830.160.160	Self Lock Nut M16-ISO 10511 Class 10		2
5	864.100.063	Washer M10 - DIN 7349		4
6	826.100.500	Low Nut M10 - DIN 439		2
7	822.101.002	Treaded rod M10		2
8	850.100.520	Fork joint		2
9	444.803.100-1 (toolbox) & 444.803.100-2 (Cap)	Toolbox		1
10	468.030.530	Toolbox contraplate		2
11	804.080.350	Bolt M8 x 35 - ISO 4017		2
12	864.080.024	Large washer M8 - DIN 9021		2
13	830.080.080	Self Lock Nut M8 - ISO 10511		2



ITEM	PART NUMBER	DESCRIPTION	REMARKS	QUA
1	TR-010.1300.06	Tensioner frame		1
2	TR-10.03033	shaft		1
3	884.100.360	Key 10x8x36 - DIN 6885		1
4	741.350.390	Bearing PME 35-N		1
5	866.100.020	Spring Washer M10 - DIN 127		4
6	864.100.030	Washer M10 - ISO 7089		4
7	864.080.024	Large washer M8 - DIN 9021		15
8	866.080.020	Spring Washer M8 - DIN 127		15
9	804.080.250	Bolt M8 x 25 - ISO 4017		7
10	804.080.200	Bolt M8 x 20 - ISO 4017		8
11	864.120.030	Washer M12 - ISO 7089		4
12	804.120.250	Bolt M12 x 25 - ISO 4017		4
13	866.120.020	Spring Washer M12 - DIN 127		4
14	804.100.300	Bolt M10 x 30 - ISO 4017		4
15	468.023.950	Guard cover		1
16	TR-010.1300.05	Cover		1
17	646.012.122	Pulley SPA 212-2 T2517		1
18	648.352.517	Taperlock 2517 - 35mm		1
19	619.200.111	PTO Cover		1
20	599.021.072	PTO shaft cover		1
21	622.155.240	Comer L Gearbox T-304A 1:3		1
22	537.120.300	Breather 1/2"		1
23	596.061.752	Grease hose L=175		1
24	899.082.004	Coupling grease system		1
25	826.080.240	Hexagon Connection Nut M8		1
26	596.120.244	Grease nipple connector		1
27	880.080.100	Grease nippel M8		1
28	899.082.004	Cable tie		1
29	642.131.208	V-Belt XPA 1207 VTP		2

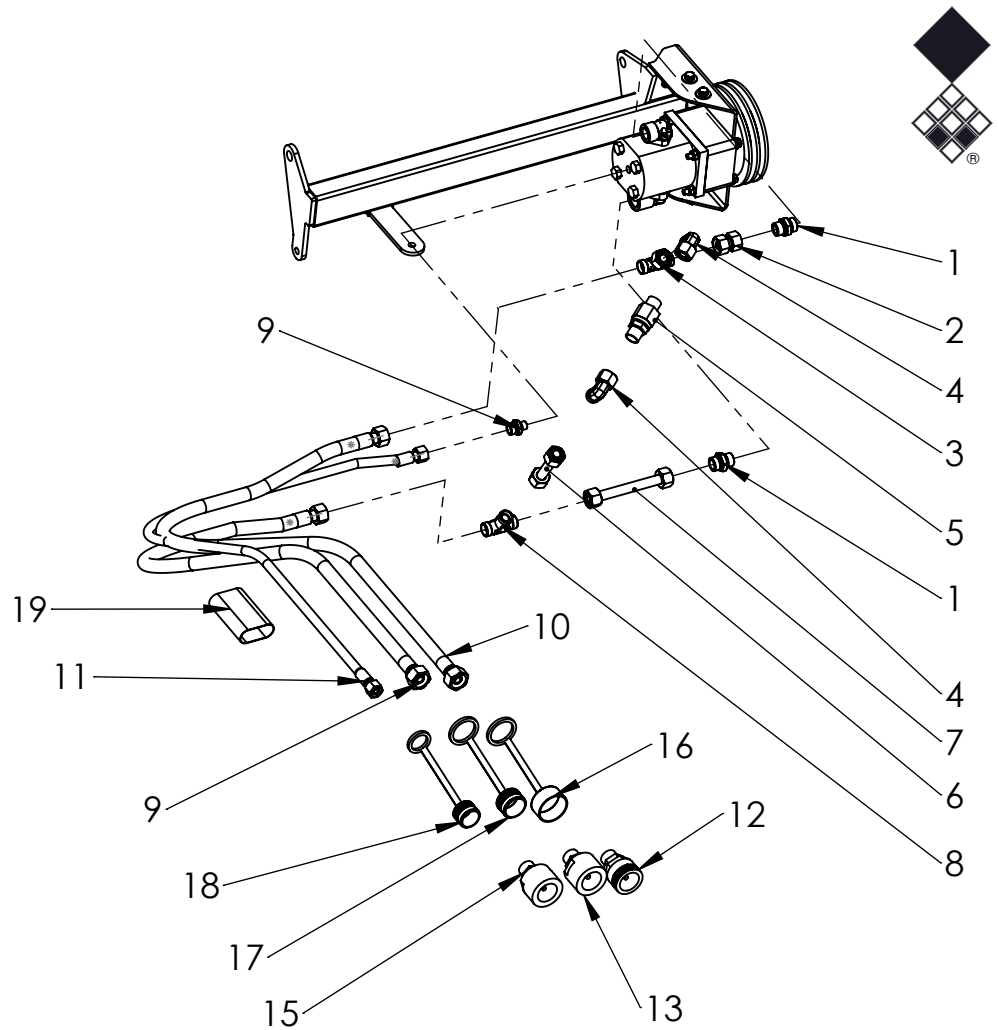
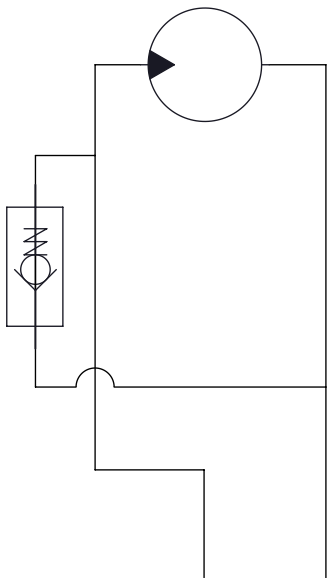


ITEM	PART NUMBER	DESCRIPTION	REMARKS	QUA
1	TR-010.1300.06	Tensioner frame		1
2	TR-10.03033	shaft		1
3	884.100.360	Key 10x8x36 - DIN 6885		1
4	741.350.390	Bearing PME 35-N		1
5	864.100.030	Washer M10 - ISO 7089		4
6	864.080.024	Large washer M8 - DIN 9021		15
7	866.080.020	Spring Washer M8 - DIN 127		15
8	804.080.250	Bolt M8 x 25 - ISO 4017		7
9	804.080.200	Bolt M8 x 20 - ISO 4017		8
10	864.120.030	Washer M12 - ISO 7089		4
11	804.120.250	Bolt M12 x 25 - ISO 4017		4
12	866.120.020	Spring Washer M12 - DIN 127		4
13	804.100.300	Bolt M10 x 30 - ISO 4017		4
14	468.023.950	Guard cover		1
15	866.100.020	Spring Washer M10 - DIN 127		4
16	TR-010.1300.05	Cover		1
17	648.352.012	Taperlock 2012 - 35mm		1
18	619.200.111	PTO Cover		1
19	599.021.072	PTO shaft cover		1
20	622.155.241	Comer gearbox T-304A 1.93:1		1
21	646.011.802	Pulley		1
22	899.082.004	Coupling grease system		1
23	880.080.100	Grease nipple M8		1
24	596.120.244	Grease nipple connector		1
25	826.080.240	Hexagon Connection Nut M8		1
26	596.061.752	Grease hose L=175		1
27	899.082.004	Cable tie		1
28	537.120.300	Breather 1/2"		1
29	642.131.150	V-Belt XPA 1157 VTP		2

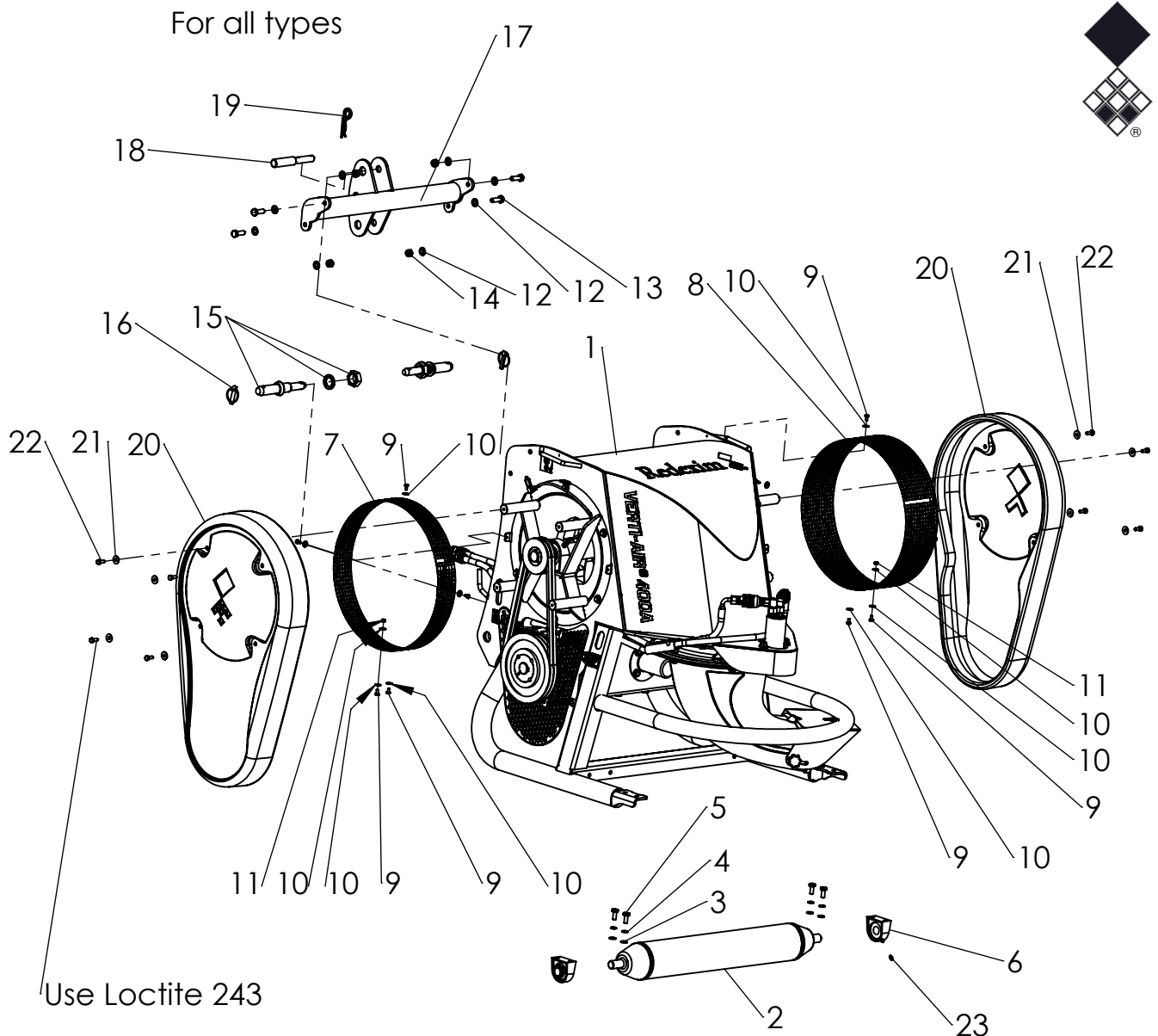


ITEM	PART NUMBER	DESCRIPTION	REMARKS	QUA
1	642.131.122	V-Belt XPA 1120		2
2	462.210.689	Tensioner frame Hydraulic		1
3	468.023.950	Guard cover		1
4	864.080.024	Large washer M8 - DIN 9021		4
5	866.080.020	Spring Washer M8 - DIN 127		4
6	804.080.120	Bolt M8 x 12 - ISO 4017		4
7	802.080.900	Bolt M8 x 90 - ISO 4014		4
8	864.080.030	Washer M8 - ISO 7089		8
9	830.080.080	Self Lock Nut M8 - ISO 10511		4
10	532.361.570	Hydraulic motor		1
11	537.280.220	Adapters splined DIN5482 Ø28x25		1
12	539.221.200	Adapter bearing		1
13	548.210.130	1/2" motorconnector		1
14	548.260.120	3/4" motorconnector		1
15	866.080.020	Spring Washer M8 - DIN 127		3
16	866.060.020	Spring Washer M6 - DIN 127		3
17	814.080.200	Bolt M8 x 20 - DIN 912		3
18	814.060.150	Bolt M6 x 16 - DIN 912		3
19	766.230.290	O-ring 23,81 x 2,62		1
20	766.160.262	O-ring 15,88 x 2,62		1
21	864.120.030	Washer M12 - ISO 7089		1
22	826.120.122	Nut M12x1.5 - DIN 934		1
23	646.011.702	Pulley SPA 170-2 T2012		1
24	648.222.012	Taperlock 2012 - 22mm		1
25	884.060.400	Key 6x6x40 - DIN 6885		1

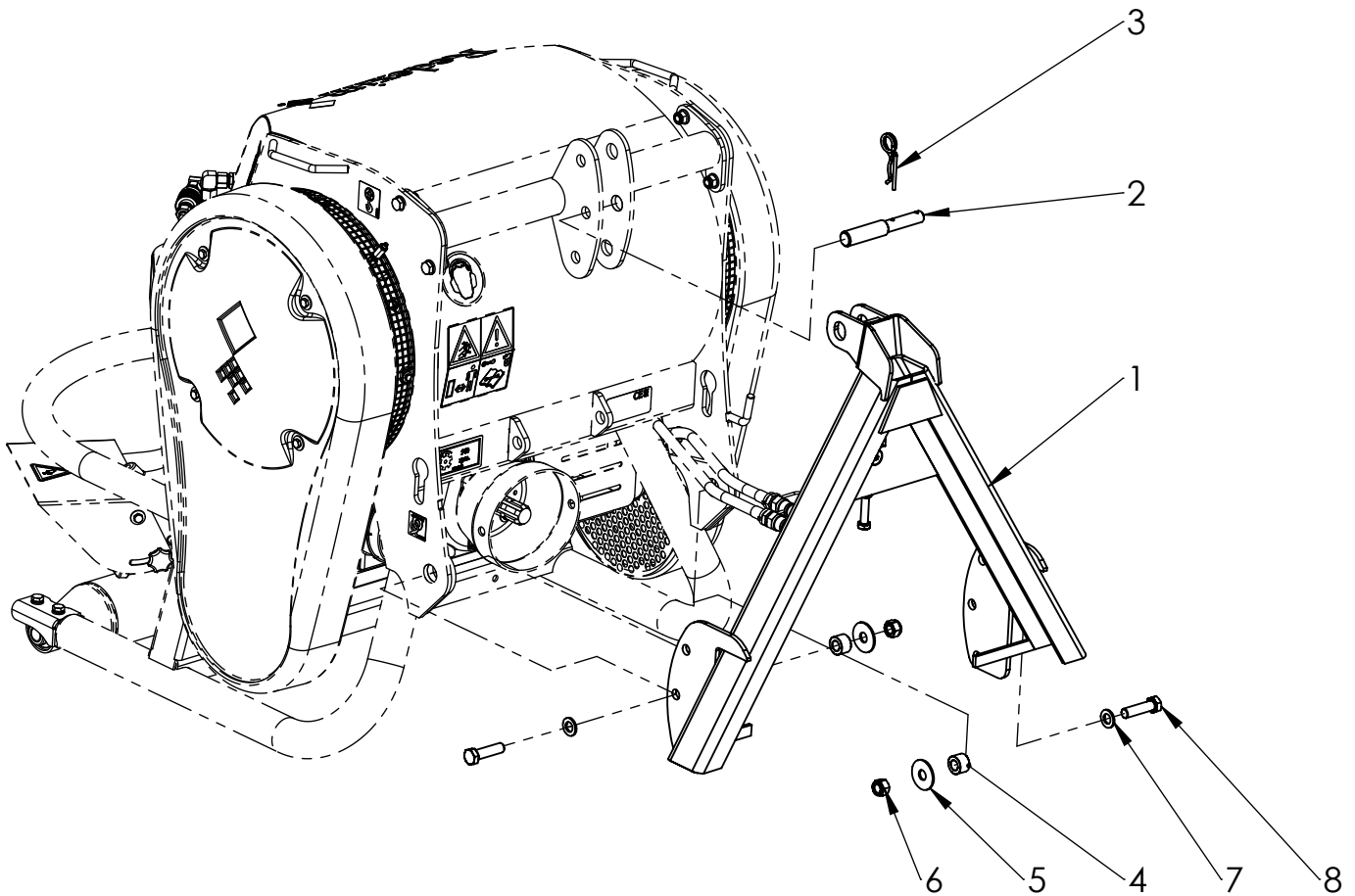
Hydraulic sceme



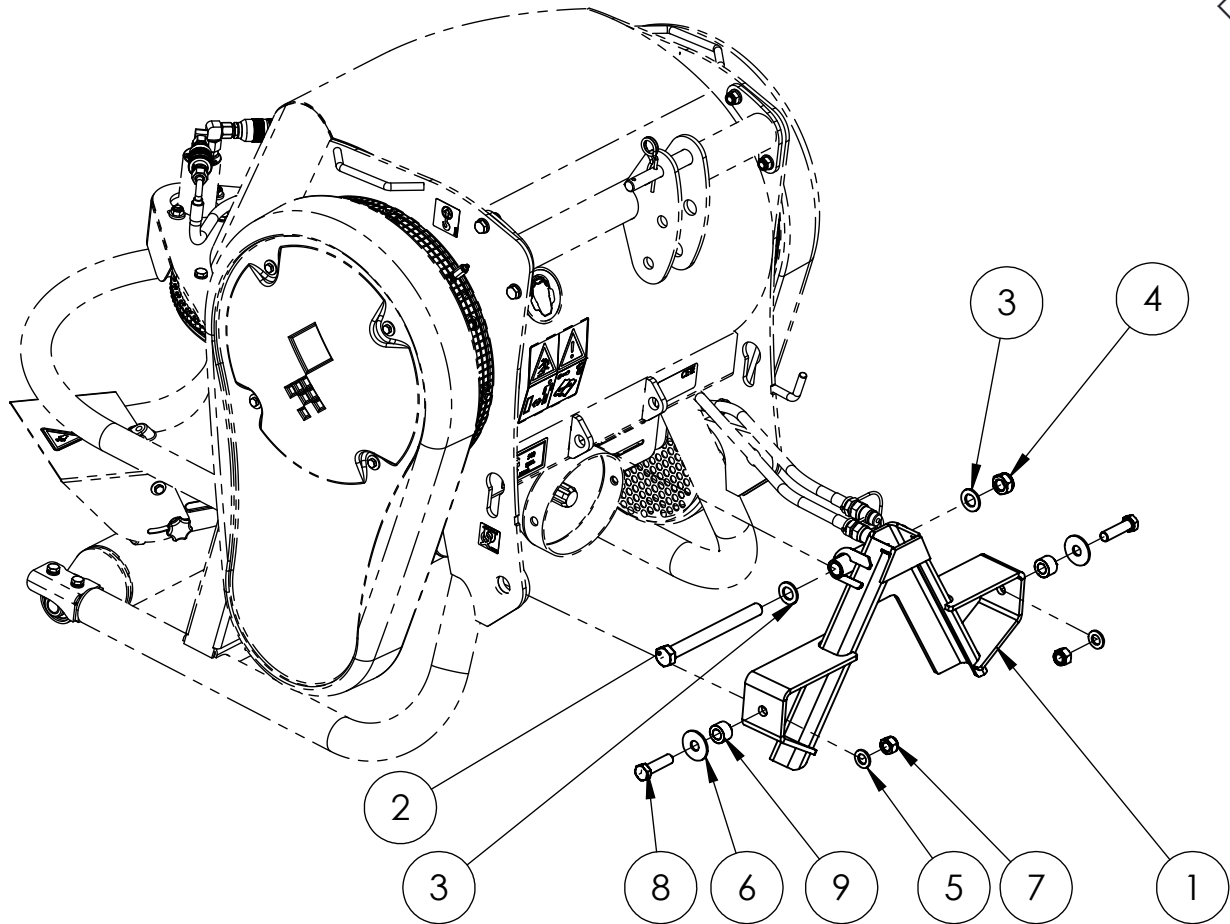
ITEM	PART NUMBER	DESCRIPTION	REMARKS	QUA
1	544.210.150	Nipple BSP 1_2" x pipe 15 (M22)		2
2	544.155.220	Connector GVO15L15L		1
3	544.154.702	T-Connector PM, Pipe 15-M22		1
4	544.151.150	L-Connector PM. Pipe 15-M22		2
5	536.320.770	Spring loaded non return valve 15L 1Bar		1
6	542.151.000	Hydraulic tube 15x1.5 L100		1
7	542.151.450	Hydraulic tube 15x1.5 L145		1
8	544.154.150	T-Connector 15x15x15		1
9	544.130.120	Nipple BSP 1_4" x pipe 12 (M18)		1
10	541.212.100	Hydraulic hose NST13 L=2100 PGLO 13-22 PGLO 13-26		1
11	541.212.002	Hydraulic hose NST13 L=2000 PGLO 13-22 PGLO 13-26		1
12	545.509.500	Quick connector with thread		1
13	545.550.690	Quick connector with thread		1
14	541.132.160	Hydraulic hose NST08 L=2160 PGLO 8-18 PGLO 8-18		1
15	545.550.690	Quick connector with thread		1
16	539.481.900	Hydraulic connector dust cap female SKS-9F		1
17	539.481.902	Hydraulic connector dust cap female SKS-9F		1
18	539.481.904	Hydraulic connector dust cap female SKS-9F		1
19	549.461.500	Protection sleeve MSHA 46 L=1500		1



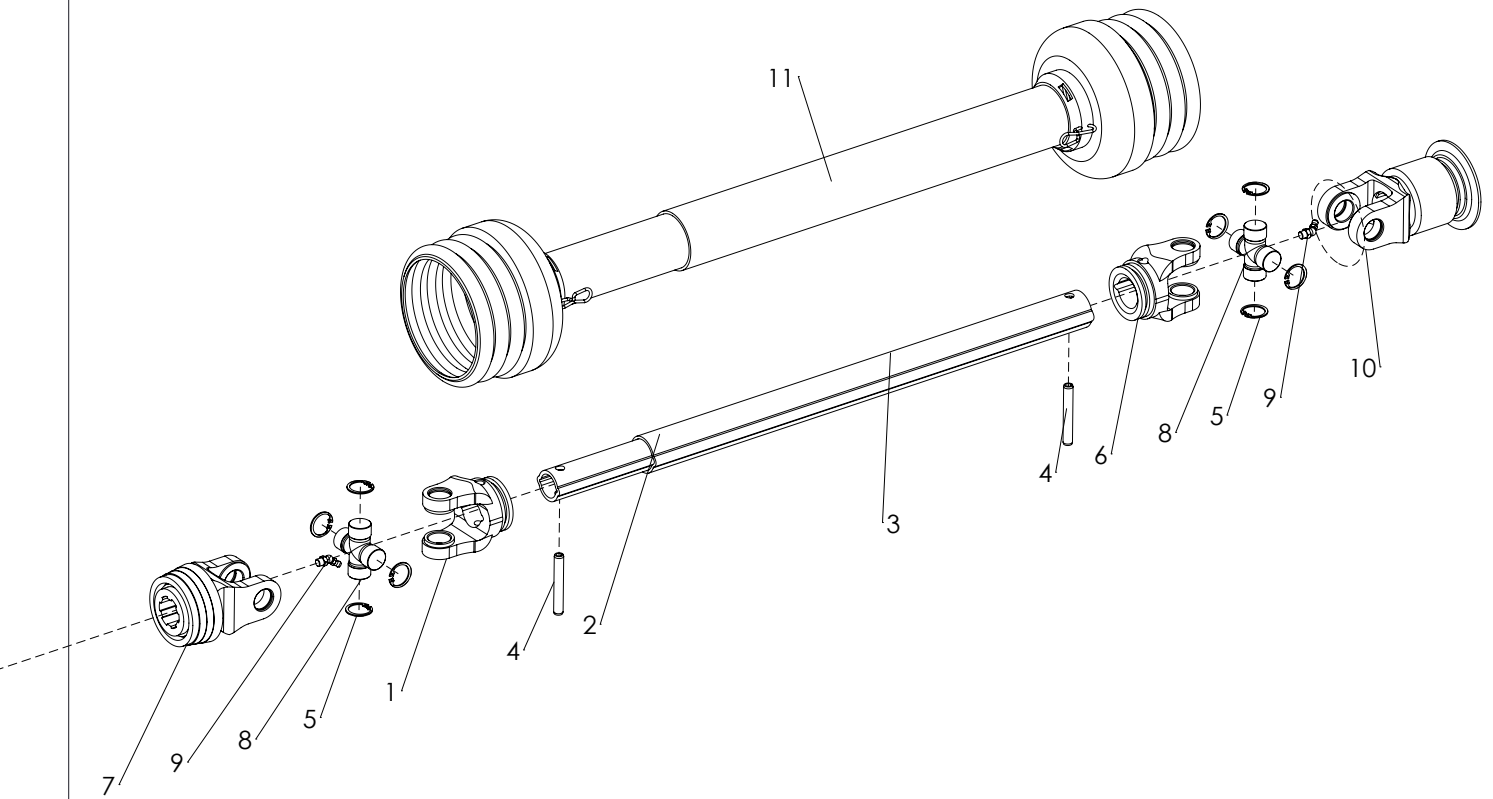
ITEM	PART NUMBER	DESCRIPTION	REMARKS	QUA
1	TR-010.0112.01	Main Frame		1
2	TR-10.01070	Antiscalp Roller		1
3	864.100.030	Washer M10 - ISO 7089		4
4	866.100.020	Spring Washer M10 - DIN 127		4
5	804.100.250	Bolt M10 x 25 - ISO 4017		4
6	743.250.370	PSHE bearing shaft 25mm		2
7	TR-010.0109.04	Mesh		1
8	TR-010.0109.01	Mesh		1
9	804.060.120	Bolt M6 x 12 - ISO 4017		10
10	864.060.031	Large washer M6 - DIN 9021		12
11	830.060.060	Self Lock Nut M6 - ISO 10511		2
12	864.120.030	Washer M12 - ISO 7089		8
13	804.120.350	Bolt M12 x 35 - ISO 4017		4
14	830.120.120	Self Lock Nut M12 - ISO 10511 Class 10		4
15	521.281.970	3 Point pin lower Cat 1&2 with nut		2
16	523.110.450	Lock pin		2
17	TR-10.01102	Rod brace		1
18	521.191.600	Top link pin OS		1
19	523.051.000	R-clip Round 5, DIN 11024		1
20	444.860.130	Side cover Verti-Air 400		2
21	864.080.024	Large washer M8 - DIN 9021		8
22	804.080.200	Bolt M8 x 20 - ISO 4017		8
23	880.060.103	Grease nipple M6 DIN 71412A		2



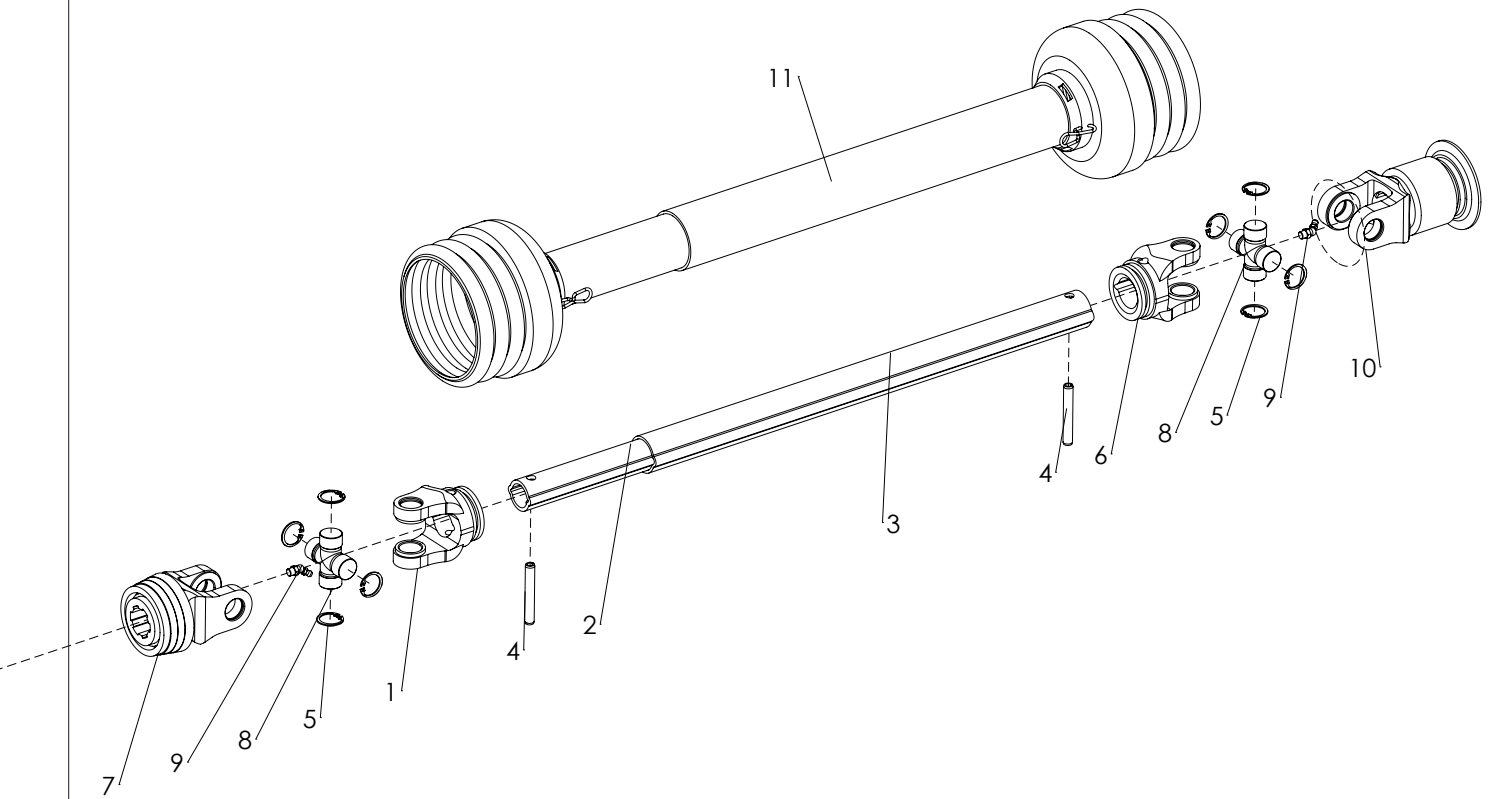
ITEM	PART NUMBER	DESCRIPTION	REMARKS	QUA
1	484.190.550	Implement Triangle Cat. 1,2,3		1
2	521.191.600	Top link pin OS		1
3	523.051.000	R-clip Round 5, DIN 11024		1
4	402.170.200	Bush		2
5	864.160.031	Large washer M16 - DIN 9021		2
6	830.160.160	Self Lock Nut M16-ISO 10511 Class 10		2
7	864.160.030	Washer M16 - ISO 7089		2
8	802.160.600	Bolt M16 x 60 - ISO 4014 - 10.9		2
	Complete kit			
	245.400.008	Implement triangle Cat. 1,2,3		



ITEM	PART NUMBER	DESCRIPTION	REMARKS	QUA
1	470.105.920	Implement triangle Cat.0		1
2	802.202.200	Bolt M20 x 220 - ISO 4014		1
3	864.200.030	Washer M20 - ISO 7089		2
4	830.200.200	Self Lock Nut M20 Din 985 h=17		1
5	864.160.030	Washer M16 - ISO 7089		2
6	864.160.031	Large washer M16 - DIN 9021		2
7	830.160.160	Self Lock Nut M16-ISO 10511 Class 10		2
8	802.160.600	Bolt M16 x 60 - ISO 4014 - 10.9		2
9	402.170.200	Bush		2
	Complete kit			
	245.400.010	A-frame Cat.0		



ITEM	PART NUMBER	DESCRIPTION	REMARKS	QUA
1	613.841.074	Walterscheid® Inboard yoke RG 2200 - 1041065		1
2	613.405.800	Walterscheid Profile 0v - 1045629		1
3	613.485.750	Walterscheid Profile 1 - 1045632		1
4	878.100.700	Roll Pin 10 x 70 - ISO 8752		2
5	872.024.120	Circlip D=24 - DIN 472		8
6	613.841.076	Walterscheid® Inboard yoke RG 2200 - 1041068		1
7	613.841.292	Walterscheid® Quick-disconnect yoke ASGE 2200 - 1133832		1
8	613.240.610	Walterscheid® Cross kit W - default 2200 - 1044439		2
9	880.080.104	Grease nipple M8 45deg. DIN 71412B		2
10	613.841.702	Walterscheid® Overrunning clutch F 5/1L - 1366773		1
11	613.156.710	Walterscheid Safety guard SD 15 - 1368632		1
	613.162.904	Complete PTO - W 2200 SD15 710 F5/1L		



ITEM	PART NUMBER	DESCRIPTION	REMARKS	QUA
1	613.841.074	Walterscheid® Inboard yoke RG 2200 - 1041065		1
2	613.405.800	Walterscheid Profile 0v - 1045629		1
3	613.485.750	Walterscheid Profile 1 - 1045632		1
4	878.100.700	Roll Pin 10 x 70 - ISO 8752		2
5	872.024.120	Circlip D=24 - DIN 472		8
6	613.841.076	Walterscheid® Inboard yoke RG 2200 - 1041068		1
7	613.841.292	Walterscheid® Quick-disconnect yoke ASGE 2200 - 1133832		1
8	613.240.610	Walterscheid® Cross kit W - default 2200 - 1044439		2
9	880.080.104	Grease nipple M8 45deg. DIN 71412B		2
10	613.841.702	Walterscheid® Overrunning clutch F 5/1R - 1366589		1
11	613.156.710	Walterscheid Safety guard SD 15 - 1368632		1
	613.162.902	Complete PTO - W 2200 SD15 710 F5/1R		