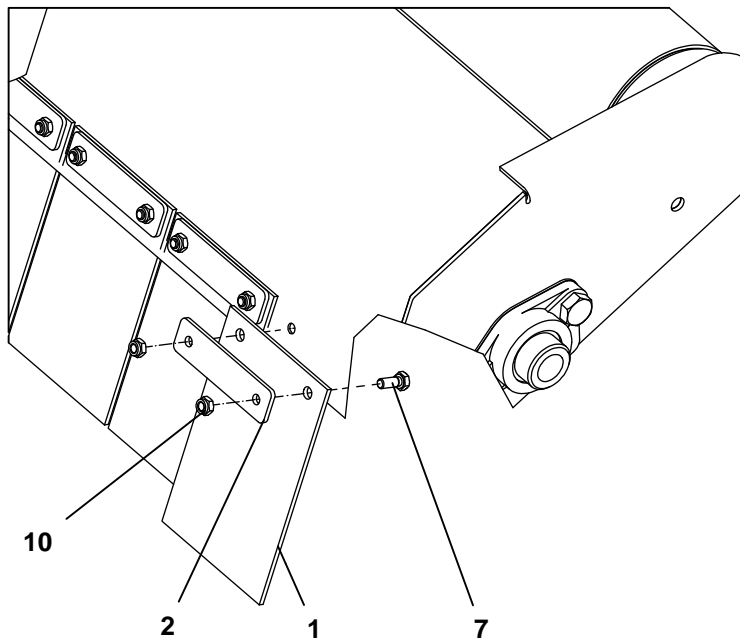
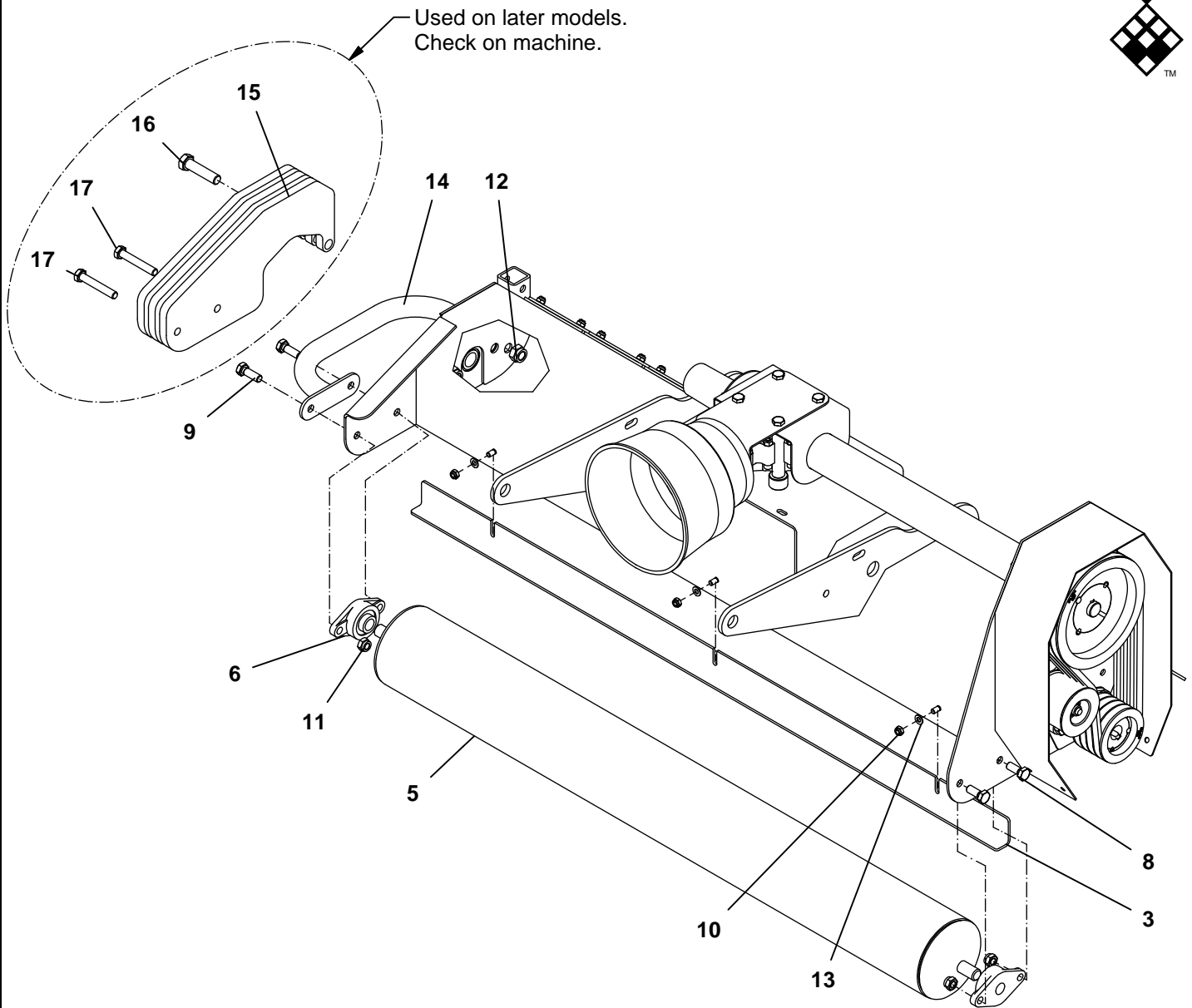


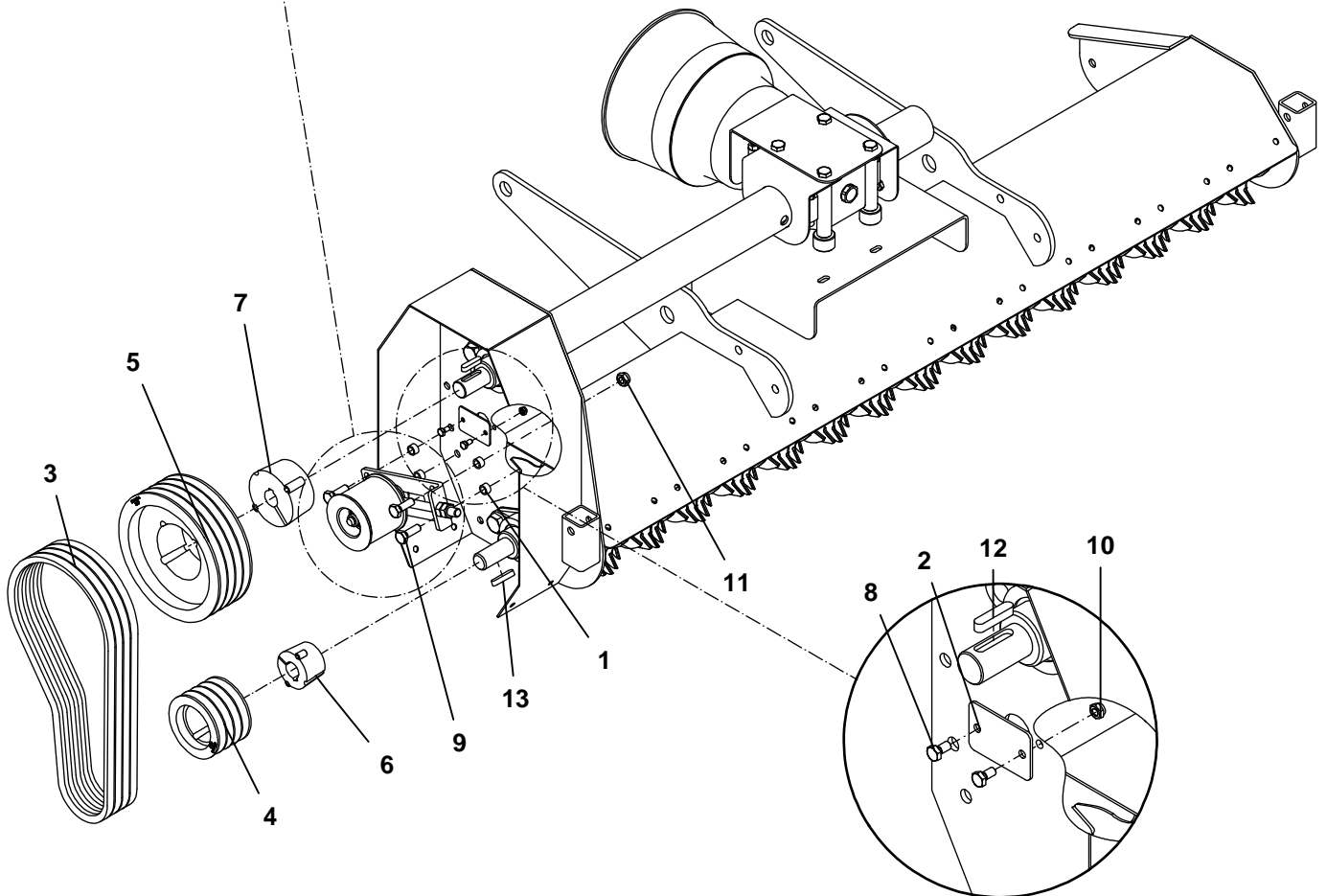
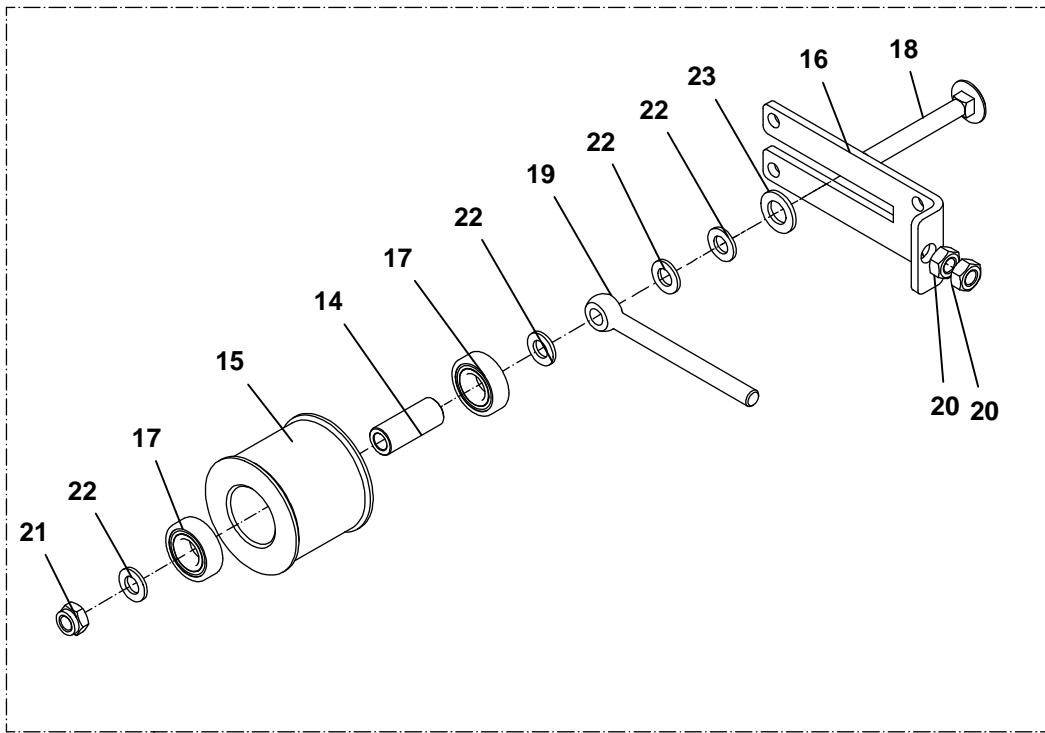
	PART #	DESCRIPTION	REMARKS	QUA
1	2490825	Top Link Pin		1
2	2490881	3-Point Bottom Pin		2
3	406.100.600	Spacer For Gearplate		2
4	464.084.850	3-Point draw strip right		1
5	464.084.852	3-point draw strip left		1
6	464.085.250	3-Point Strip		2
7	523.051.000	R-Pin 5 Din 11024		3
8	802.100.900	Bolt DIN 931-1 - M10 x 90		2
9	804.120.300	Bolt DIN 933 - M12 x 30		4
10	830.100.100	SL Nut DIN 985 - M10		2
11	830.120.120	SL Nut DIN 985 - M12		4
12	830.220.220	SL Nut DIN 985 - M22		2



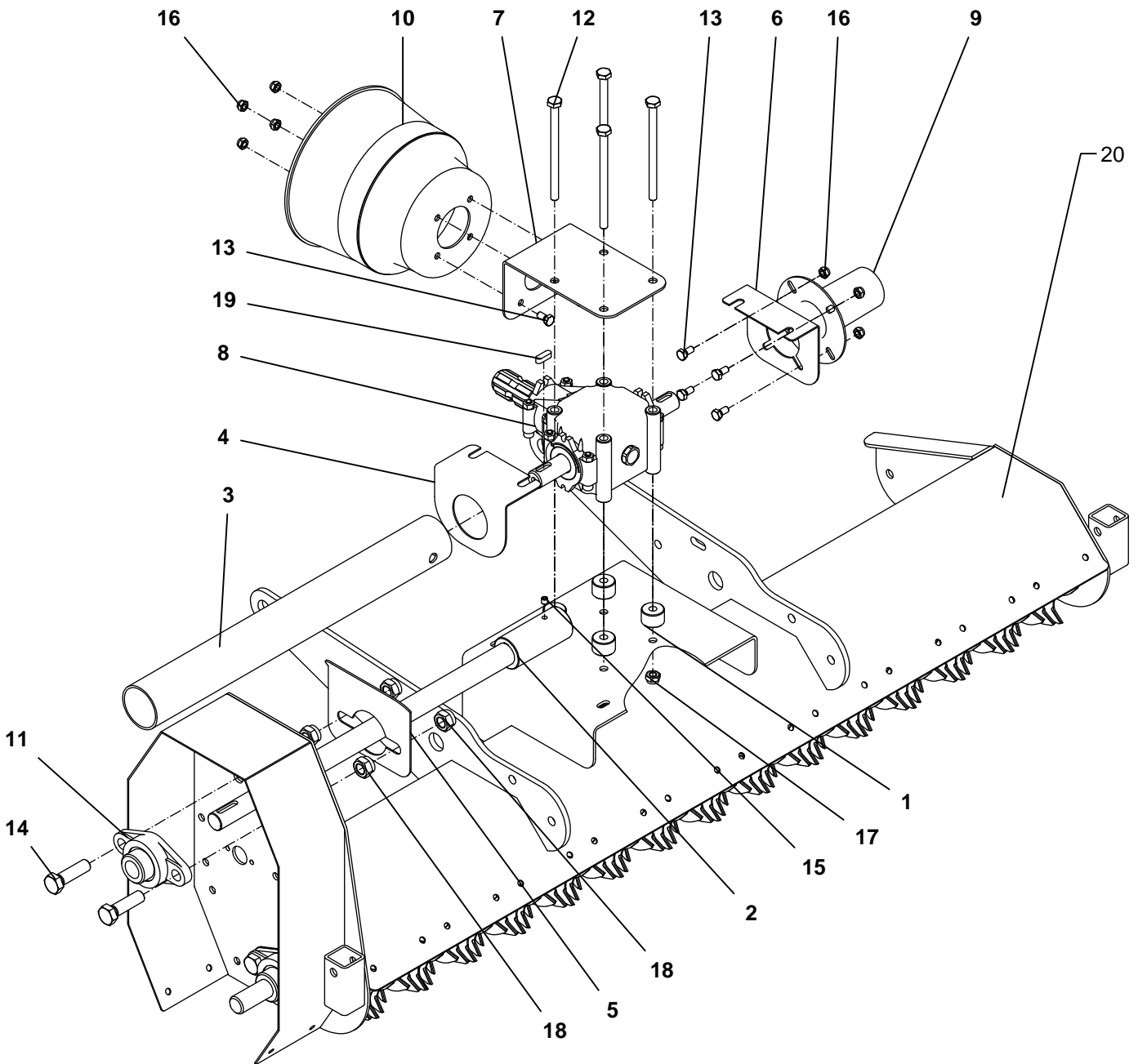
Used on later models.
Check on machine.



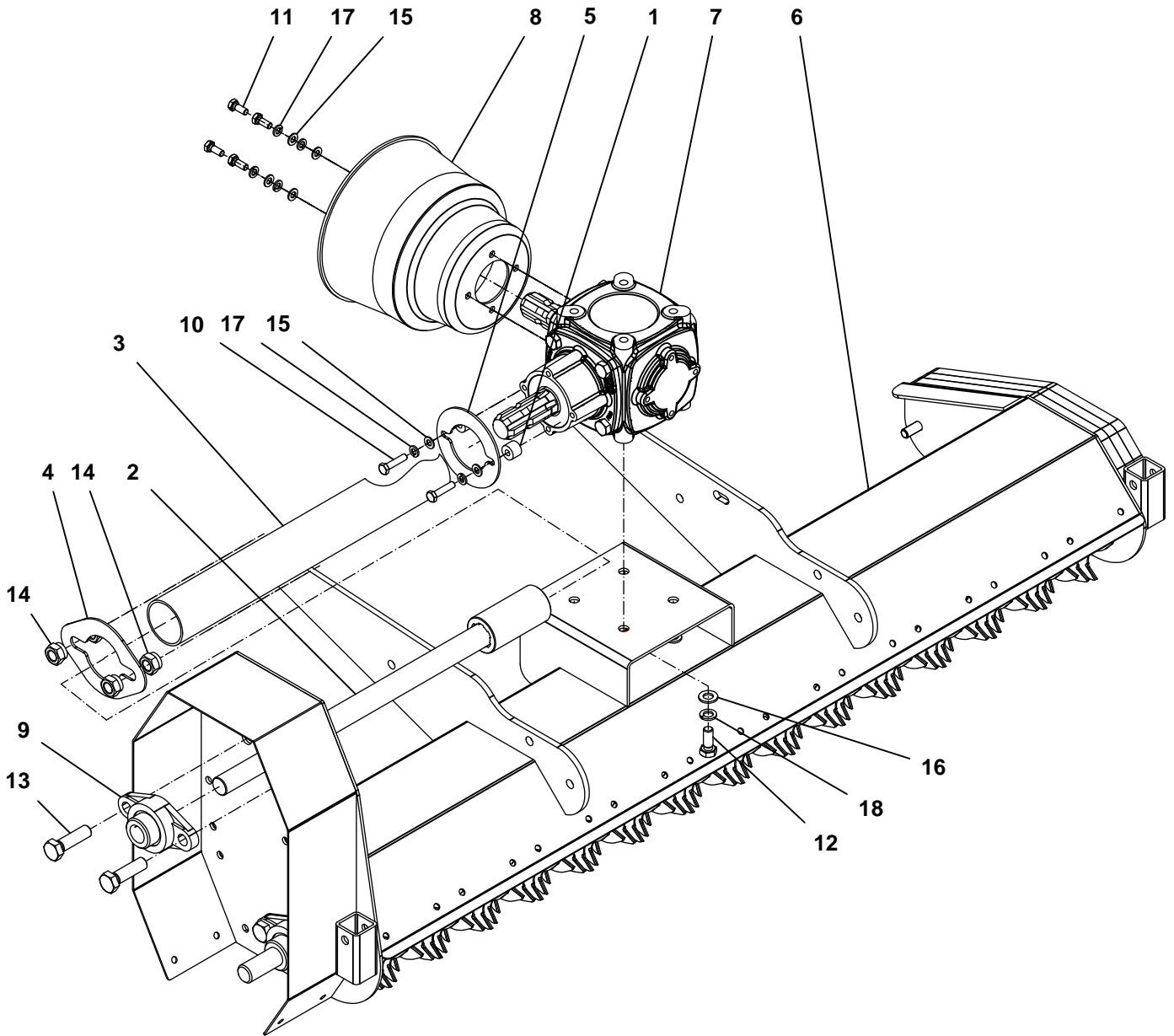
	PART #	DESCRIPTION	REMARKS	QUA
1	446.042.000	Rubber Strip		10
2	464.041.202	Clamp Strip		10
3	468.049.130	Scraper L=1320		1
5	488.140.135	Front roller Ø140 L=1348		1
6	742.200.330	Bearing UCFL 204		2
7	804.080.200	Bolt DIN 933 - M8 x 20		20
8	804.120.300	Bolt DIN 933 - M12 x 30		2
9	804.120.350	Bolt DIN 933 - M12 x 35		4
10	830.080.080	SL Nut DIN 985 - M8		23
11	830.120.120	SL Nut DIN 985 - M12		4
12	830.160.160	SL Nut DIN 985 - M16		1
13	864.080.030	Washer DIN 125 - M8		3
14	478.142.377	Safety bracket		1
15	468.153.780	Weight V-Cut	Used on later models, check on machine.	3
16	802.160.650	Bolt DIN 931-1 - M16 x 65	Used on later models, check on machine.	1
17	802.120.750	Bolt DIN 931-1 - M12 x 75	Used on later models, check on machine.	2



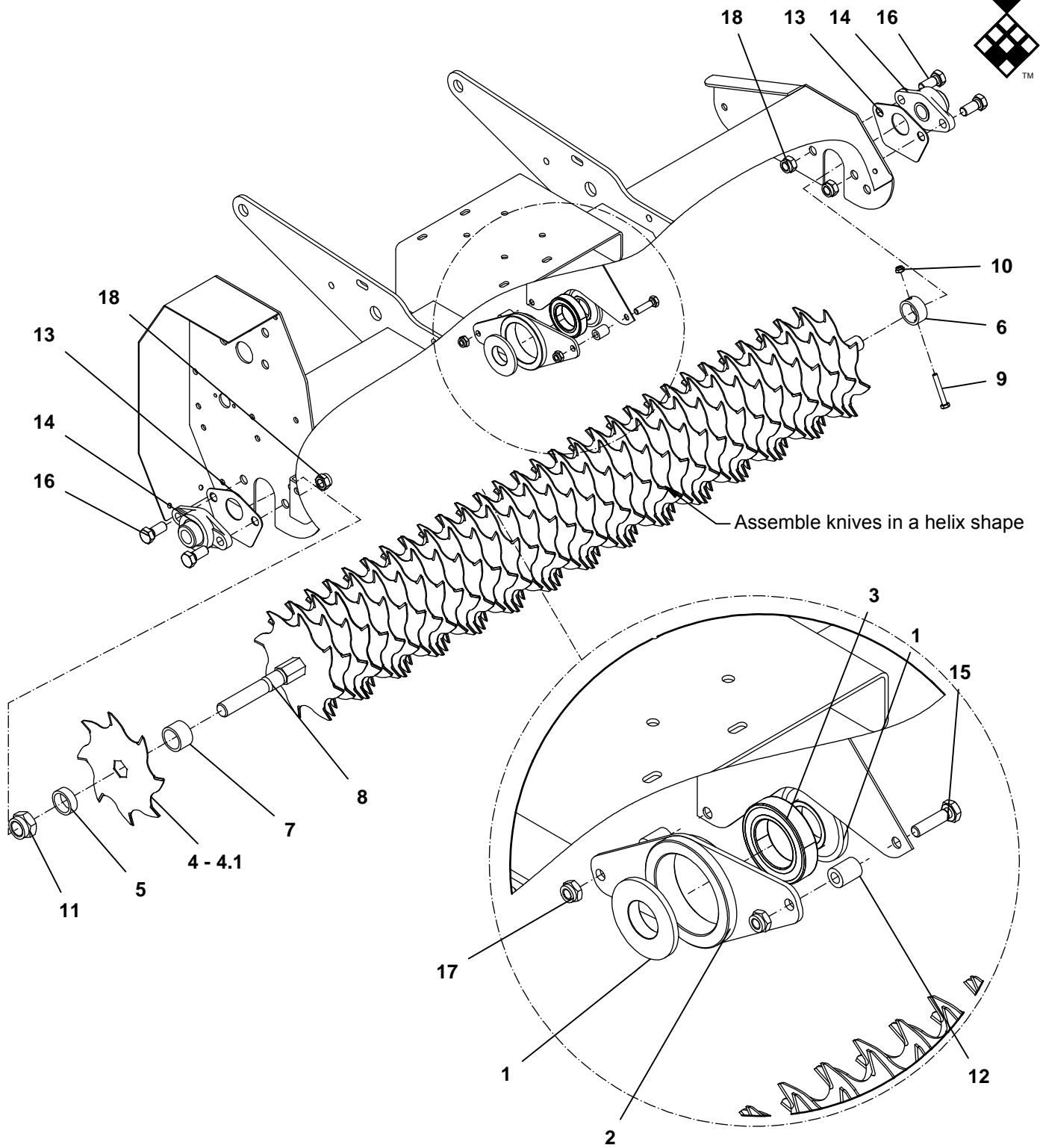
	PART #	DESCRIPTION	REMARKS	QUA
1	402.100.080	Distance Bush Shaking Sieve		4
2	464.020.600	Cover Plate Pulley Spanner		1
3	642.131.007	V-Belt XPA 1007		4
4	646.010.900	Pulley SPA 90-4 T1615		1
5	646.011.900	Pulley SPA 190-4 T2517		1
6	648.251.615	Taperlock 1615 - 25mm		1
7	648.252.517	Taperlock 2517 - 25mm		1
8	804.060.120	Bolt DIN 933 - M6 x 12		2
9	804.100.300	Bolt DIN 933 - M10 x 30		4
10	830.060.060	SL Nut DIN 985 - M6		2
11	830.100.100	SL Nut DIN 985 - M10		4
12	884.080.352	Key DIN 6885 - A 8 x 7 x 35		1
13	884.080.400	Key DIN 6885 - A 8 x 7 x 40		1
14	402.120.500	Distance bush Ø20/Ø12 L=50		1
15	428.720.850	Idler Ø85 L=72		1
16	468.061.700	Spanner Plate		1
17	713.200.120	Bearing 6004 2RS		2
18	820.121.000	MH Bolt DIN 603 - M12 x 100		1
19	822.121.400	Eye Bolt M12x140 Din 444LB (full thread)		1
20	826.120.120	Nut DIN 934 - M12		2
21	830.120.120	SL Nut DIN 985 - M12		1
22	864.120.030	Washer DIN 125 - M12		4
23	864.160.030	Washer DIN 125 - M16		1



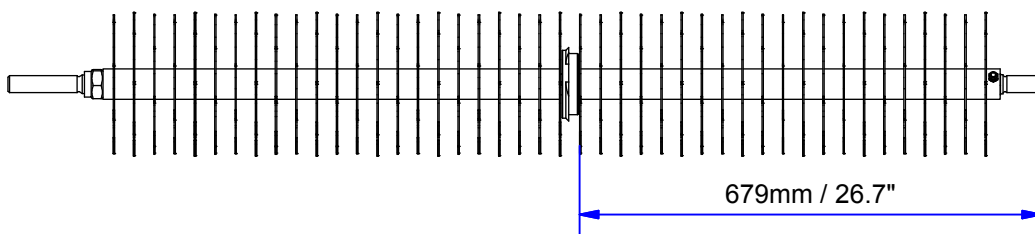
	PART #	DESCRIPTION	REMARKS	QUA
1	406.102.000	Distance Bush Ø30xØ10.5 L=20		4
2	420.306.350	Main drive shaft Ø25 L=635		1
3	444.605.400	Protection Tube		1
4	468.021.302	Pipe holder gearbox		1
5	468.021.502	Pipe Holder		1
6	468.021.560	PTO Cover Holder		1
7	468.031.902	PTO Cover Base Plate		1
8	622.096.256	Gearbox		1
9	629.123.108	Cover PTO Shaft		1
10	629.210.190	Protection Cover PTO		1
11	742.250.430	Bearing UELFL 205		1
12	802.101.500	Bolt DIN 931-1 - M10 x 150		4
13	804.080.160	Bolt DIN 933 - M8 x 16		8
14	804.160.550	Bolt DIN 933 - M16 x 55		2
15	818.080.080	Set screw DIN 913 - M8 x 8		1
16	830.080.080	SL Nut DIN 985 - M8		8
17	830.100.100	SL Nut DIN 985 - M10		4
18	830.160.160	SL Nut DIN 985 - M16		4
19	884.080.250	Key DIN 6885 - A 8 x 7 x 25		1
20	494.152.582	Frame Scarifier 1300		1



	PART #	DESCRIPTION	REMARKS	QUA
1	402.080.150	Distance Bush Angle Set Strip		2
2	420.306.250	Main drive shaft		1
3	444.605.250	Protection Tube		1
4	468.021.508	Pipe Holder		1
5	468.031.106	Cover holder		1
6	494.152.584	Frame Scarifier 1300		1
7	622.170.211	Gearbox T19-A 259012		1
8	629.210.190	Protection Cover PTO		1
9	742.250.430	Bearing UELFL 205		1
10	802.080.350	Bolt DIN 931-1 - M8 x 35		2
11	804.080.200	Bolt DIN 933 - M8 x 20		4
12	804.120.300	Bolt DIN 933 - M12 x 30		4
13	804.160.550	Bolt DIN 933 - M16 x 55		2
14	830.160.160	SL Nut DIN 985 - M16		4
15	864.080.030	Washer DIN 125 - M8		6
16	864.120.030	Washer DIN 125 - M12		4
17	866.080.021	Spring washer DIN 127 - A 8		6
18	866.120.021	Spring washer DIN 127 - A 12		4



Positon center bearing



	PART #	DESCRIPTION	REMARKS	QUA
1	404.350.130	Center bearing bush L=13		2
2	470.242.600	Bearing house		1
3	713.450.160	Bearing 6009 2RS		1
4	341.302.210	Scarify blade Ø210 th=2 mm	Standard on machine	45
4.1	341.303.210	Scarify blade Ø210 th=3 mm	Optional	45
5	406.360.150	Spacer L=15		1
6	406.360.200	Spacer L=20		1
7	406.360.280	Spacer L=28		43
8	422.309.150	Rotor shaft V-Cut 1300		1
9	802.080.550	Bolt DIN 931-1 - M8 x 55		1
10	830.080.080	SL Nut DIN 985 - M8		1
11	830.270.274	SL Nut DIN 985 - M27x1.5		1
12	406.100.230	Distance bush Ø10/Ø18 L=23		2
13	468.021.310	Cover Plate		2
14	742.250.430	Bearing UELFL 205		2
15	804.100.400	Bolt DIN 933 - M10 x 40		2
16	804.160.350	Bolt DIN 933 - M16 x 35		4
17	830.100.100	SL Nut DIN 985 - M10		2
18	830.160.160	SL Nut DIN 985 - M16		4