



# ***GENERAL PURPOSE ENGINE***

**GC135  
GC135E  
GC160  
GC160A  
GC160E**

**PARTS CATALOGUE**

**5**

13ZL80E5

© Honda Motor Co., Ltd. 2004



GC135



GC160

---

FOREWORD INDEX

**1**

---

ENGINE GROUP

**2**

---

PART NUMBER INDEX

**3**

---

PART NAME INDEX

**4**

---



**Instruction for use of parts catalogue**

- **This parts catalogue was prepared based on the latest information available as of January 10, 2004.**
- See the parts catalogue news for any revision that is made after January 10, 2004.
- **Always specify the part number when ordering a part.**
  - Check the model, type, serial numbers, color, maker, and the size as needed before ordering a part.
  - Note that the illustrations (part drawings) can differ from the actual parts in shape. They are given just to help you to refer to the parts.
- **When modifications or additions to this parts catalogue are made, a revised edition will be issued at an appropriate time, with successively progressing revision numbers on the cover. We recommend obtaining such revisions in order to keep your parts catalogue up-to-date at all times. To check whether a parts catalogue revision has been issued, please contact your Honda distributor.**

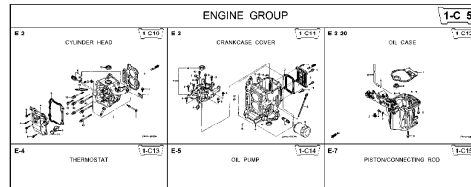
Initial version issue date August 01, 1997  
**Honda Motor Co., Ltd.**

**CONTENTS**

	Page	Address No.
• How to refer to the part information .....	2	B 2 <b>1</b>
• Part catalogue structure .....	3	B 3
• When the parts were revised .....	4	B 4
• Abbreviations used in the parts catalogue.....	4	B 4
• How to check the part block and serial numbers.....	5	B 5
• Models, parts catalogue codes and applicable serial numbers .....	6	B 6
• Features of each type .....	14	B14
• Fuel hose, general purpose hoses and vinyl hose .....	27	C11
• How to use the flat rate time (F.R.T.) .....	28	C12
• Illustrated index .....	30	C14
• ENGINE GROUP.....	33	D 1 <b>2</b>
• PART NO. INDEX.....	86	H 1 <b>3</b>
• PART NAME INDEX.....	89	I 1 <b>4</b>

How to refer to the part information

A Reference with "Illustrated index"

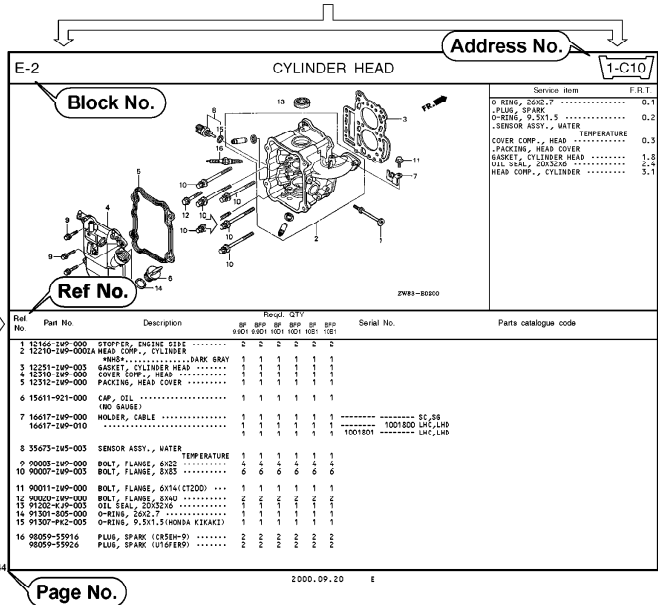


B Reference with "Part number index"

PART NO. INDEX					
Part Number	Address	Page	Ref.	Part Number	Address Page
06000				15212-ZW9-000	1-C14 3C
06316-ZW9-000	1-69	28	1	15220-ZW9-003	1-C14 3C
				15332-ZW9-000	1-E9 5E
				15332-ZW9-A30	1-E11 5E
				15400-FFB-004	1-C11 27
				15422-ZW9-000	1-C14 3C
11300-ZW9-405	1-C11 27	1		15473-261-000	1-C14 3C
11303-ZW9-406	1-C11 27	1		15474-ZW9-000	1-C14 3C
11340-ZW9-000	1-C11 27	2		15611-921-000	1-C10 2F
11342-ZW9-000	1-C11 27	3		15655-ZW9-000	1-C11 27
11381-ZW9-003	1-C12 28	1			
				16000	
12000				16010-ZW4-005	1-D4 3C
12000-ZW9-405ZA1-C11	27	4		16011-ZW4-005	1-D4 3C
12155-ZW4-000	1-C15 29	1		16013-ZW9-003	1-D4 3C
12156-ZW9-000	1-C10 26	1		16016-ZW9-721	1-D4 3C
12209-GB4-681	1-C16 32	1		16023-ZW9-003	1-D4 3C
12210-ZW9-405ZA1-C10	26	2		16062-ZW4-550	1-D4 3C
12216-352-500	1-E11 58	1		16028-ZW4-650	1-D4 3C

C Reference with "Part name index"

PART NAME INDEX					
Part name	Address	Page	Ref.		
[ A ]					
ABSORBER, FUEL	1-E15	42	5	BOLT,	
ARMATURE COMP.	1-D11	43	7	BOLT,	
ARM COMP., LINK JOINT	1-66	85	18	BOLT,	
ARM COMP., SWIFT LINK	1-66	85	14	BOLT,	
ARM COMP., TILT	1-F15	79	20		
ARM, FUEL PUMP ROCKER	1-C16	32	4		
ARM, REVERSE LOCK	1-F15	79	18		
ARM, SWIFT LINK	1-F13	74	7		
ARM, STOPPER	1-D1	33	12	BOLT,	
ARM, THROTTLE REMOTE	1-F11	74	6		
ARM, VALVE ROCKER	1-E16	32	9		
[ B ]					
BAG, TOOL, 160MM	1-G5	84	10		
BAND	1-66	86	37		
BAND, B1 WIRE	1-F6	89	1		
BAND, COIL	1-F5	87	18	BOLT,	
BAND, TUBE CLIP, 11MM	1-E15	63	20		
BAND, TUBE CLIP, 12.5MM	1-E15	63	19	BOLT,	



Part catalogue structure

**E-2 CYLINDER HEAD** 1-C10

Ref. No.	Part No.	Description	Reqd. QTY						Serial No.	Parts catalogue code
			01	02	03	04	05	06		
1	12166-2W9-000	STOPPER, ENGINE SIDE	2	2	2	2	2			
2	12210-2W9-000A	HEAD COMP., CYLINDER								
3	12251-2W9-000	GASKET, CYLINDER HEAD	1	1	1	1	1			
4	12310-2W9-000	COVER COMP., HEAD	1	1	1	1	1			
5	12312-2W9-000	PACKING, HEAD COVER	1	1	1	1	1			
6	15011-921-000	CAP, OIL	1	1	1	1	1			
7	16617-2W9-000	HOLDER, CABLE	1	1	1	1	1	SC,SG		
	16617-2W9-010	END GAUZE	1	1	1	1	1	1001600 LHC,LHD		

**E-14-10 THROTTLE ROD** 1-C10

Ref. No.	Part No.	Description	Reqd. QTY						Serial No.	Parts catalogue code
			01	02	03	04	05	06		
		CAM, THROTTLE							0.2	
		LINKAGE, PIVOT								
		ROD COMP., THROTTLE							0.3	
		DIAPHRAGM ASSY.								

- ① **Address number**
  - Address No. is provided (in place of the page No.) to help you refer to the part with the part No. or part name.
- ② **Block title** ③ **Block number**
- ④ **Service item/Flat rate time**
- ⑤ **Reference number**
  - Title number marked with the parentheses or parentheses indicates that it continues from the previous page.
- ⑥ **Part number** ⑦ **Honda color code**
- ⑧ **Description**
- ⑨ **Assemblies**
  - Sections framed with broken lines in the exploded view drawings are available as complete assemblies. (Their individual parts can also be obtained.)
- ⑩ **Color description**
- ⑪ **Note**
  - Notes are shown with the parentheses in the part name column.
- ⑫ **Required quantity**
  - Required QTY shown in the parenthesis or parentheses indicates the optional part.
  - Required QTY marked with "N" indicates the optional part that should be selected as needed.
  - Required QTY indicates the number of the part used in the block.
- ⑬ **Serial number**
- ⑭ **Type**
  - When the type column is blank, it indicates that the part is applicable to all types.
  - As the type of the actual unit may differ from the "parts catalogue, type" please refer to "Models, types and applicable serial numbers" for confirmation.
- ⑮ **Parts enclosed within a dotted line**
  - Parts enclosed within a dotted line are covered in a different block.
- ⑯ **Hollow arrow**
  - A hollow arrow indicates the block No. for the parts enclosed within a dotted line.
- ⑰ **Solid arrow**
  - A solid arrow indicates the block No. the part in question is connected to.



**When the parts were revised**

Be sure to check the serial number!!



Ref. No.	Part No.	Description	Reqd. QTY						Serial No.
			901	901	1001	1001	1001	1001	
1	12166-2W9-000	STOPPER, ENGINE SIDE	2	2	2	2	2		
2	12210-2W9-000ZA	HEAD COMP., CYLINDER							
		*NHS+.....DARK GRAY	1	1	1	1	1		
3	12251-2W9-000	GASKET, CYLINDER HEAD	1	1	1	1	1		
4	12310-2W9-000	COVER COMP., HEAD	1	1	1	1	1		
5	12312-2W9-000	PACKING, HEAD COVER	1	1	1	1	1		
6	15611-921-000	CAP., OIL (NO GAUGE)	1	1	1	1	1		
7	16617-2W9-000	HOLDER, CABLE (###)	1	1	1	1	1		
	16617-2W9-010		1	1	1	1	1		
			1	1	1	1	1		

The number has been used from the initial model without revision. When shown at the left side, it is applicable to the models of No. 1001801 and the subsequent numbers. When shown at the right side, it is applicable to the models up to No. 1001800.

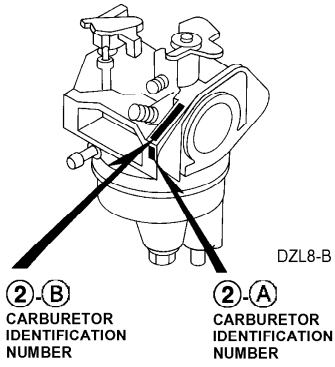
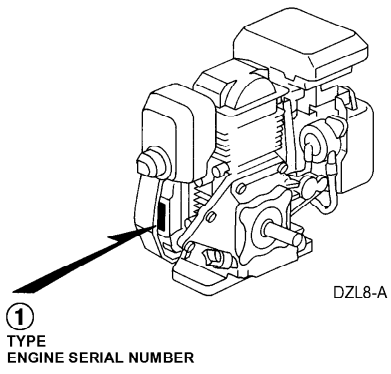
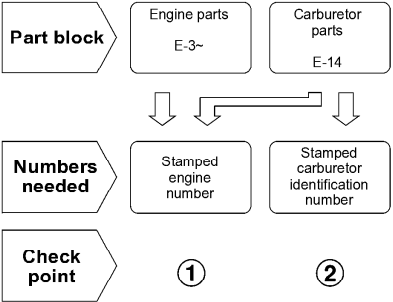
\* The parts listed with "###" at the end of the parts name have limited supply period (parts not for sale).

**Abbreviations used in the parts catalogue**

• The following abbreviations are used in the parts name column.

- A ..... Ampere
- A.C. .... Alternating current
- ASSY. .... Assembly
- AT. .... Automatic transmission
- C.D.I. .... Capacitive discharge ignition
- COMP. ... Complete
- D.C. .... Direct current
- EX. .... Exhaust
- G.F.C.I. ... Ground fault circuit interruptor
- HEX. .... Hexagonal
- H.S.T. .... Hydrostatic transmission
- FR. ....Front
- IN. ....Inlet
- L (100L) .Link (100 Links)
- L. ....Left
- MM .....Millimeter
- MT. ....Manual Transmission
- P.T.O. ....Power take off
- R. ....Right
- RR. ....Rear
- STD. ....Standard
- T (22T) ...Tooth (22 Teeth)
- V .....Volt
- W .....Watt

How to check the part block and serial numbers



1



Models, parts catalogue codes and applicable serial numbers

- Models, parts catalogue codes and applicable serial Nos. given in this parts catalogue can be identified as follows.

Model	Type	Parts catalogue type	Applicable engine serial No.	Applicable carburetor identification No.
GC135	PHA	PHA	GCAJ-1000001~	BB63B A/B
	PHC	PHC	GCAJ-1000001~1000062	
	PHD	PHD	GCAJ-1000001~9999999	BB63A A/B, BB63B B
	PHU	PHU		
	PXA	PXA		
	PXC	PXC	GCAJ-1000001~	BB63B A/B
	PXD	PXD	GCAJ-1000001~9999999	BB63A A/B, BB63B B
	PXU	PXU		
	QFC	QFC		
	QFJ	QFJ	GCAJ-1000001~	BB63B B
	QHA	QHA		
	QHA1	QHA1		
	QHA2	QHA2	GCAJ-1000001~9999999	BB63B A/B
	QHC	QHC	GCAJ-1000001~	
	QHC1	QHC1		
	QHE	QHE		
	QHEB	QHEB		
	QHEP	QHEP		
	QHE1	QHE1		
	QHE2	QHE2		
QHE3	QHE3			
QHE4	QHE4	GCAJ-1000001~9999999	BB63A A/B, BB63B B	
QHE5	QHE5	GCAJ-1000001~		
QHP7	QHP7			
				BB63B B

Model	Type	Parts catalogue type	Applicable engine serial No.	Applicable carburetor identification No.
GC135	QHU	QHU	GCAJ-1000001~	BB63A A/B, BB63B B
	QHU1	QHU1	GCAJ-1000001~1017588	
	SHE	SHE	GCAJ-1000001~	
	SHE1	SHE1		
	SHE2	SHE2	GCAJ-1000001~9999999	
	SHE3	SHE3		
	SHE4	SHE4		
	SHE5	SHE5		
	SHE6	SHE6	GCAJ-1000001~	
	SHJ	SHJ		
	SHJ1	SHJ1		
	SHJ4	SHJ4		BB63B B
	VHA	VHA	GCAJ-1000001~9999999	BB63B A/B
	VHC	VHC	GCAJ-1000001~	
	VHE	VHE		
	VHJ	VHJ		BB63A A/B, BB63B B
	VHU	VHU	GCAJ-1000001~9999999	
	VXA	VXA	GCAJ-1000001~	
	VXC	VXC		
	VXD	VXD	GCAJ-1000001~1000108	BB63A A/B, BB63B B
VXE	VXE	GCAJ-1000001~		
VXJ	VXJ	GCAJ-1000001~9999999		
VXP4	VXP4	GCAJ-1000001~		
VXP5	VXP5		BB63B B	

Model	Type	Parts catalogue type	Applicable engine serial No.	Applicable carburetor identification No.
GC135	VXU	VXU	GCAJ-1000001~	BB63A A/B, BB63B B
	WHE	WHE		
	WHJ	WHJ		BB63B B
	WKT2	WKT2		BB63A A/B, BB63B B
	WME1	WME1		BB63B B
	WME2	WME2		BB63A A/B, BB63B B
	WXE	WXE		
WXJ	WXJ			
GC160	PHA	PHA	GCAH-1000001~	BB61B B/C
	PHC	PHC	GCAH-1000001~9999999	BB61A B/C, BB61B C
	PHD	PHD		
	PHU	PHU		
	PXA	PXA		BB61B B/C
	PXC	PXC	GCAH-1000001~1010982	BB61A B/C, BB61B C
	PXD	PXD		
	PXU	PXU	GCAH-1000001~	BB61B C
	QBC	QBC		BB61B B/C
	QFC	QFC		BB61B C
	QHA	QHA		BB61B B/C
	QHAJ	QHAJ		
	QHA1	QHA1		
	QHA2	QHA2		
	QHC	QHC	GCAH-1000001~9999999	BB61B B/C
QHC1	QHC1			

Model	Type	Parts catalogue type	Applicable engine serial No.	Applicable carburetor identification No.	
GC160	QHE	QHE	GCAH-1000001~	BB61A B/C, BB61B C	
	QHEB	QHEB			
	QHEP	QHEP		BB61A C, BB61B C	
	QHET	QHET			
	QHE1	QHE1		BB61A B/C, BB61B C	
	QHE2	QHE2			
	QHE3	QHE3			
	QHE4	QHE4			
	QHE5	QHE5			
	QHM	QHM		BB61B C	
	QHP7	QHP7			
	QHU	QHU	GCAH-1000001~1090169	BB61A B/C, BB61B C	
	QHU1	QHU1			
	SHE	SHE			GCAH-1000001~
	SHE1	SHE1			
	SHE3	SHE3			GCAH-1000001~9999999
	SHE4	SHE4			
	SHE5	SHE5			
	SHE6	SHE6			GCAH-1000001~
	SHJ	SHJ			
SHJ1	SHJ1	GCAH-1000001~9999999			BB61B B/C
VHA	VHA	GCAH-1000001~			
VHC	VHC	GCAH-1000001~9999999			
VHE	VHE	GCAH-1000001~	BB61A B/C, BB61B C		

Model	Type	Parts catalogue type	Applicable engine serial No.	Applicable carburetor identification No.
GC160	VHJ	VHJ	GCAH-1000001~	BB61A B/C, BB61B C
	VHU	VHU	GCAH-1000001~9999999	
	VX	VX	GCAH-1000001~	BB61B B/C
	VXA	VXA		
	VXC	VXC		
	VXE	VXE		
	VXJ	VXJ		
	VXU	VXU		
	WHE	WHE		
	WHJ	WHJ		
	WKT2	WKT2		
	WME1	WME1		
	WME2	WME2		
	WXE	WXE		
WXJ	WXJ	GCAH-1000001~9999999		BB61A B/C, BB61B C
GC160A	DHAF	DHAF	GCAHA-1000001~	BB61B C
	MFA2	MFA2	GCAHA-8000001~	
	MHA2	MHA2	GCAHA-1000001~	
	PHA	PHA		
	PXU	PXU		
	QBC	QBC		
	QDE	QDE		
	QFC	QFC		
QHA	QHA			

Model	Type	Parts catalogue type	Applicable engine serial No.	Applicable carburetor identification No.
GC160A	QHAF	QHAF	GCAHA-1000001~	BB61B C
	QHAJ	QHAJ		
	QHA1	QHA1		
	QHA2	QHA2		
	QHC	QHC		
	QHE	QHE		
	QHEB	QHEB		
	QHEP	QHEP		
	QHET	QHET		
	QHE1	QHE1		
	QHE2	QHE2		
	QHE4	QHE4		
	QHE5	QHE5		
	QHU	QHU		
	SHE	SHE		
	SHE1	SHE1		
	SHE6	SHE6		
	VHA	VHA		
VXA	VXA			
VXE	VXE			
VXU	VXU			
GC135E	QFJ	QFJ	GCAAE-1000001~	BB63B B
	QHE	QHE		
	QHEB	QHEB		

Model	Type	Parts catalogue type	Applicable engine serial No.	Applicable carburetor identification No.
GC135E	QHEP	QHEP	GCAAE-1000001~	BB63B B
	QHE1	QHE1		
	QHE2	QHE2		
	QHE5	QHE5		
	QHP7	QHP7		
	QHU	QHU		
	SHE	SHE		
	SHE1	SHE1		
	SHE6	SHE6		
	SHJ	SHJ		
	SHJ1	SHJ1		
	SHJ4	SHJ4		
	VXE	VXE		
	VXP5	VXP5		
	VXU	VXU		
WHJ	WHJ			
WKT2	WKT2			
GC160E	QHA	QHA	GCABE-1000001~	BB61B C
	QHE	QHE		
	QHEB	QHEB		
	QHEP	QHEP		
	QHET	QHET		
	QHE1	QHE1		
	QHE2	QHE2		

Model	Type	Parts catalogue type	Applicable engine serial No.	Applicable carburetor identification No.
GC160E	QHE4	QHE4	GCABE-1000001~	BB61B C
	QHE5	QHE5		
	QHP7	QHP7		
	SHE	SHE		
	SHE1	SHE1		
	SHE6	SHE6		
	SHJ	SHJ		
	VXA	VXA		
	VXE	VXE		
	WHJ	WHJ		
WKT2	WKT2			

\* Of carburetor identification numbers, only the portions underlined in the example below are used for registration.

BB 63B □ KC ナ  
 Ⓐ Ⓑ



Features of each type

• See the following table for the features of each type.

Specifications	Model Type	GC135													
		PHA	PHC	PHD	PHU	PXA	PXC	PXD	PXU	QFC	QFJ	QHA	QHA1	QHA2	QHC
Crankshaft	18mmØ × 50mm Straight														
	19.05mmØ × 48mm Straight														
	19.05mmØ × 58.5mm Straight									•	•	•	•	•	•
	20mmØ × 50mm Straight														
	22.2mmØ × 30.1mm Straight														
	22.5mmØ × 64mm Straight														
	M14 × 1.5 Stepped thread														
	M18 × 1.5 Stepped thread														
	3/4" Thread	•	•	•	•	•	•	•	•						
	19.177mmØ × 71.5mm Tapered														
Oil level switch						•	•	•	•						
Engine stop switch	•	•	•	•	•	•	•	•	•	•	•	•	•	•	

1

Specifications		Model	GC135														
		Type	QHC1	QHE	QHEB	QHEP	QHE1	QHE2	QHE3	QHE4	QHE5	QHP7	QHU	QHU1	SHE	SHE1	
Crankshaft	18mmØ × 50mm Straight															•	•
	19.05mmØ × 48mm Straight																
	19.05mmØ × 58.5mm Straight	•	•	•	•	•	•	•	•	•	•	•	•	•			
	20mmØ × 50mm Straight																
	22.2mmØ × 30.1mm Straight																
	22.5mmØ × 64mm Straight																
	M14 × 1.5 Stepped thread																
	M18 × 1.5 Stepped thread																
	3/4" Thread																
	19.177mmØ × 71.5mm Tapered																
Oil level switch																	
Engine stop switch		•	•	•	•	•	•	•			•	•	•	•	•	•	•

Specifications		Model	GC135													
		Type	SHE2	SHE3	SHE4	SHE5	SHE6	SHJ	SHJ1	SHJ4	VHA	VHC	VHE	VHJ	VHU	VXA
Crankshaft	18mmØ × 50mm Straight		•	•	•	•	•	•	•	•						
	19.05mmØ × 48mm Straight															
	19.05mmØ × 58.5mm Straight															
	20mmØ × 50mm Straight															
	22.2mmØ × 30.1mm Straight															
	22.5mmØ × 64mm Straight															
	M14 × 1.5 Stepped thread															
	M18 × 1.5 Stepped thread															
	3/4" Thread															
	19.177mmØ × 71.5mm Tapered											•	•	•	•	•
Oil level switch																•
Engine stop switch		•	•	•	•		•	•	•	•	•	•	•	•	•	•

Specifications		Model	GC135													
		Type	VXC	VXD	VXE	VXJ	VXP4	VXP5	VXU	WHE	WHJ	WKT2	WME1	WME2	WXE	WXJ
Crankshaft	18mmØ × 50mm Straight															
	19.05mmØ × 48mm Straight															
	19.05mmØ × 58.5mm Straight															
	20mmØ × 50mm Straight															
	22.2mmØ × 30.1mm Straight															
	22.5mmØ × 64mm Straight												•	•		
	M14 × 1.5 Stepped thread									•	•	•			•	•
	M18 × 1.5 Stepped thread															
	3/4" Thread															
	19.177mmØ × 71.5mm Tapered	•	•	•	•	•	•	•								
Oil level switch		•	•	•	•	•	•				•		•	•	•	
Engine stop switch		•	•	•	•			•	•	•	•	•	•	•	•	

Specifications		Model	GC160													
		Type	PHA	PHC	PHD	PHU	PXA	PXC	PXD	PXU	QBC	QFC	QHA	QHAJ	QHA1	QHA2
Crankshaft	18mmØ × 50mm Straight															
	19.05mmØ × 48mm Straight															
	19.05mmØ × 58.5mm Straight										•	•	•	•	•	•
	20mmØ × 50mm Straight															
	22.2mmØ × 30.1mm Straight															
	22.5mmØ × 64mm Straight															
	M14 × 1.5 Stepped thread															
	M18 × 1.5 Stepped thread															
	3/4" Thread		•	•	•	•	•	•	•	•						
	19.177mmØ × 71.5mm Tapered															
Oil level switch							•	•	•	•						
Engine stop switch			•	•	•	•	•	•	•	•	•	•	•	•	•	•

Specifications		Model	GC160													
		Type	QHC	QHC1	QHE	QHEB	QHEP	QHET	QHE1	QHE2	QHE3	QHE4	QHE5	QHM	QHP7	QHU
Crankshaft	18mmØ × 50mm Straight															
	19.05mmØ × 48mm Straight															
	19.05mmØ × 58.5mm Straight	•	•	•	•	•	•	•	•	•	•	•	•	•	•	•
	20mmØ × 50mm Straight															
	22.2mmØ × 30.1mm Straight															
	22.5mmØ × 64mm Straight															
	M14 × 1.5 Stepped thread															
	M18 × 1.5 Stepped thread															
	3/4" Thread															
	19.177mmØ × 71.5mm Tapered															
Oil level switch																
Engine stop switch		•	•	•	•	•	•	•	•	•	•	•	•	•	•	•

Specifications		Model	GC160													
		Type	QHU1	SHE	SHE1	SHE3	SHE4	SHE5	SHE6	SHJ	SHJ1	VHA	VHC	VHE	VHJ	VHU
Crankshaft	18mmØ × 50mm Straight															
	19.05mmØ × 48mm Straight															
	19.05mmØ × 58.5mm Straight	•														
	20mmØ × 50mm Straight		•	•	•	•	•	•	•	•						
	22.2mmØ × 30.1mm Straight															
	22.5mmØ × 64mm Straight															
	M14 × 1.5 Stepped thread															
	M18 × 1.5 Stepped thread															
	3/4" Thread															
	19.177mmØ × 71.5mm Tapered											•	•	•	•	•
Oil level switch																
Engine stop switch		•	•	•	•	•	•		•	•	•	•	•	•	•	

Specifications		Model	GC160													
		Type	VX	VXA	VXC	VXE	VXJ	VXU	WHE	WHJ	WKT2	WME1	WME2	WXE	WXJ	
Crankshaft	18mmØ × 50mm Straight															
	19.05mmØ × 48mm Straight															
	19.05mmØ × 58.5mm Straight															
	20mmØ × 50mm Straight															
	22.2mmØ × 30.1mm Straight															
	22.5mmØ × 64mm Straight											•	•			
	M14 × 1.5 Stepped thread															
	M18 × 1.5 Stepped thread								•	•	•				•	•
	3/4" Thread															
	19.177mmØ × 71.5mm Tapered	•	•	•	•	•	•									
Oil level switch		•	•	•	•	•	•			•		•	•	•		
Engine stop switch		•	•	•	•	•	•	•	•	•	•	•	•	•	•	



Specifications		Model	GC160A													
		Type	DHAF	MEA2	MHA2	PHA	PXU	QBC	QDE	QFC	QHA	QHAF	QHAJ	QHA1	QHA2	QHC
Crankshaft	18mmØ × 50mm Straight															
	19.05mmØ × 48mm Straight		•	•												
	19.05mmØ × 58.5mm Straight						•	•	•	•	•	•	•	•	•	•
	20mmØ × 50mm Straight															
	22.2mmØ × 30.1mm Straight	•														
	22.5mmØ × 64mm Straight															
	M14 × 1.5 Stepped thread															
	M18 × 1.5 Stepped thread															
	3/4" Thread					•	•									
	19.177mmØ × 71.5mm Tapered															
Oil level switch							•									
Engine stop switch		•	•	•	•	•	•	•	•	•	•	•	•	•	•	•

Specifications		Model	GC160A													
		Type	QHE	QHEB	QHEP	QHET	QHE1	QHE2	QHE4	QHE5	QHU	SHE	SHE1	SHE6	VHA	VXA
Crankshaft	18mmØ × 50mm Straight															
	19.05mmØ × 48mm Straight															
	19.05mmØ × 58.5mm Straight	•	•	•	•	•	•	•	•	•						
	20mmØ × 50mm Straight										•	•	•			
	22.2mmØ × 30.1mm Straight															
	22.5mmØ × 64mm Straight															
	M14 × 1.5 Stepped thread															
	M18 × 1.5 Stepped thread															
	3/4" Thread															
	19.177mmØ × 71.5mm Tapered														•	•
Oil level switch																•
Engine stop switch		•	•	•	•	•	•		•	•	•	•		•	•	

Specifications	Type	Model GC160A		Model GC135E												
		VXE	VXU	QFJ	QHE	QHEB	QHEP	QHE1	QHE2	QHE5	QHP7	QHU	SHE	SHE1	SHE6	
Crankshaft	18mmØ × 50mm Straight													•	•	•
	19.05mmØ × 48mm Straight															
	19.05mmØ × 58.5mm Straight			•	•	•	•	•	•	•	•	•				
	20mmØ × 50mm Straight															
	22.2mmØ × 30.1mm Straight															
	22.5mmØ × 64mm Straight															
	M14 × 1.5 Stepped thread															
	M18 × 1.5 Stepped thread															
	3/4" Thread															
	19.177mmØ × 71.5mm Tapered	•	•													
Oil level switch	•	•														
Engine stop switch	•	•	•	•	•	•	•	•	•	•	•	•	•	•		

Specifications		Model	GC135E							GC160E						
		Type	SHJ	SHJ1	SHJ4	VXE	VXP5	VXU	WHJ	WKT2	QHA	QHE	QHEB	QHEP	QHET	QHE1
Crankshaft	18mmØ × 50mm Straight		•	•	•											
	19.05mmØ × 48mm Straight															
	19.05mmØ × 58.5mm Straight									•	•	•	•	•	•	
	20mmØ × 50mm Straight															
	22.2mmØ × 30.1mm Straight															
	22.5mmØ × 64mm Straight															
	M14 × 1.5 Stepped thread								•	•						
	M18 × 1.5 Stepped thread															
	3/4" Thread															
	19.177mmØ × 71.5mm Tapered					•	•	•								
Oil level switch					•	•	•		•							
Engine stop switch		•	•	•	•		•	•	•	•	•	•	•	•	•	

Specifications		Model	GC160E											
		Type	QHE2	QHE4	QHE5	QHP7	SHE	SHE1	SHE6	SHJ	VXA	VXE	WHJ	WKT2
Crankshaft	18mmØ × 50mm Straight													
	19.05mmØ × 48mm Straight													
	19.05mmØ × 58.5mm Straight	•	•	•	•									
	20mmØ × 50mm Straight					•	•	•	•					
	22.2mmØ × 30.1mm Straight													
	22.5mmØ × 64mm Straight													
	M14 × 1.5 Stepped thread													
	M18 × 1.5 Stepped thread												•	•
	3/4" Thread													
	19.177mmØ × 71.5mm Tapered										•	•		
Oil level switch											•	•		•
Engine stop switch		•		•	•	•	•		•	•	•	•	•	•

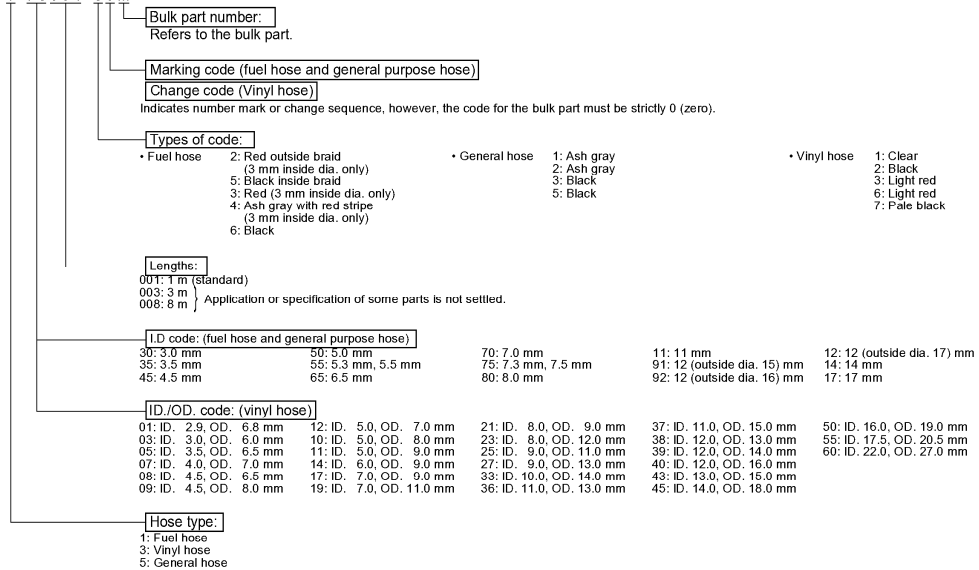
Fuel hose, general purpose hoses and vinyl hose

- The standard part fuel hose, general purpose hose and vinyl hose may be substituted by the coiled bulk part.
- When ordering the standard part fuel hose, general purpose hose and vinyl hose use the bulk part number written in the parts catalog in brackets ( ) underneath the part name.
- When exchanging the hose, cut and use at the specified length as mentioned in the part name.  
(For the method of cutting the bulk part, and method of filling out orders etc., please refer to the instructions issued with the bulk part.)



Bulk part number of fuel hose, general purpose hose and vinyl hose.

Example: 9 5 0 0 1 - 7 5 0 0 1 - 5 0 M



© CAUTION: It is DANGEROUS to confuse the fuel hose with the general purpose hose or vinyl hose.  
Never use a general purpose hose or vinyl hose in place of a fuel hose or vice versa. Always use the correct bulk part in the parts catalogue, according to the service manual or the instructions issued with the bulk part.

**How to use the flat rate time (F.R.T.)**

This F.R.T. (Flat Rate Time) is used to determine the standard labor time allowed for replacement of parts covered by the warranty during the period the warranty is in effect. The F.R.T. for those parts which are not listed herein should be determined from the operation closely related to the replacement of that part.

**1. The F.R.T. is based on the following servicing conditions**

- a. A liberal allowance is added to the net servicing time.
- b. Standard times specified are based on the condition that the necessary servicing tools listed in the service manual which describes the Honda service policy are available close at hand and the work performed by a mechanic with normal skill.
- c. Time required for inspection and operational test following the servicing is included in the F.R.T.
- d. The F.R.T. for "\*" marked parts are same as the F.R.T. for the representative part above.
- e. The F.R.T. shown with (\*) includes engine removal and installation.

**2. Method of computing**

The job times are listed in tenth of an hour to simplify computation.

(Example) 0.3 = 18 minutes  
5.6 = 5 hours and 36 minutes

CONVERSION CHART			
Hours	Minutes	Hours	Minutes
0.1	6	0.6	36
0.2	12	0.7	42
0.3	18	0.8	48
0.4	24	0.9	54
0.5	30	1.0	60

### 3. Computing the F.R.T.

The following are only examples and do not reflect the actual F.R.T. for this product.

When several jobs are performed at the same time, make the calculation in the following manner.

#### a. Jobs of non duplicated nature

The F.R.T. for the job is obtained by totalling the F.R.T. for each part replaced.

(Example) Replacement of head cover gasket and oil filter.

Service item	F.R.T.
Packing, cylinder head cover	0.5
Cartridge, oil filter	0.5

The F.R.T. for the job is:  $0.5 + 0.5 = 1.0$

#### b. Jobs of duplicated nature

Take the F.R.T. for the last part to be replaced.

(Example) Replacement of piston and cylinder head gasket.

Service item	F.R.T.
Gasket comp., cylinder head	3.0
Piston	*5.0

The F.R.T. for the job is: 5.0

#### c. Jobs of partially related nature

Total up the F.R.T. for all of the parts replaced and then subtract the F.R.T. for the duplicated operation (i.e., cylinder head gasket service).

(Example) Replacement of valve and cylinder head.

Service item	F.R.T.
Valve	*3.0
Head assy., cylinder	*4.0
Gasket comp., cylinder head	*2.5

The F.R.T. for the job is:  $(3.0 + 4.0) - 2.5 = 4.5$

- The F.R.T. shown with (\*) includes engine removal and installation.
- The parts, having the same number of man-hour, are identified by a mark "\*", and classified under the title of their representative work.

### 4. Adjustment, cleaning

Item	Service item	F.R.T.
Adjustment	Valve clearance	0.3
	Carburetor	0.2
	Governor	0.2
Cleaning	Carburetor	0.6
	Air cleaner element	0.1
	Spark arrester	0.2
	Spark plug	0.1



ENGINE GROUP

C14

**E-3** CYLINDER BARREL **D 1**

ZL80-E1000A

**E-6** CRANKCASE COVER **D 3**

ZL80-E0900A

**E-7** CRANKSHAFT **D 7**

ZL80-E0700A

**E-8** PISTON/CONNECTING ROD **D 8**

ZL80-E1000B

**E-9** CAMSHAFT **D 9**

ZL80-E0900A

**E-11** RECOIL STARTER **D11**

ZL80-E1100

**E-12** FAN COVER **D13**

ZL80-E1200

**E-14** CARBURETOR **D14**

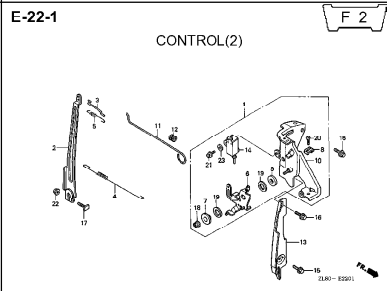
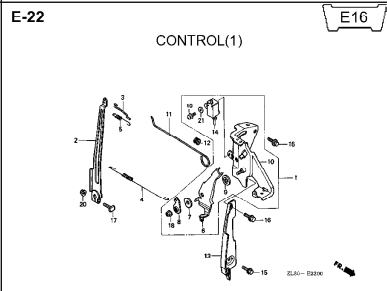
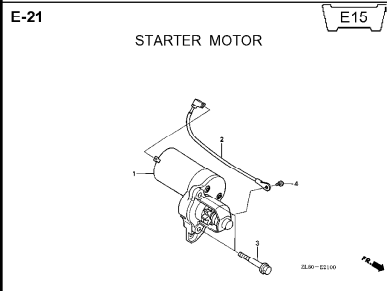
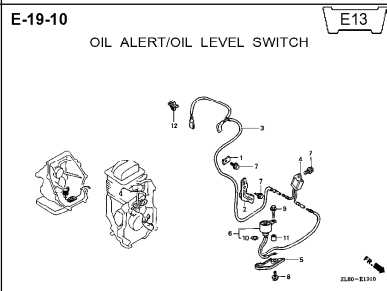
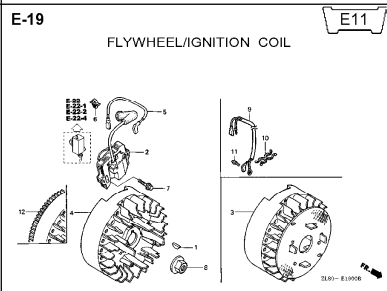
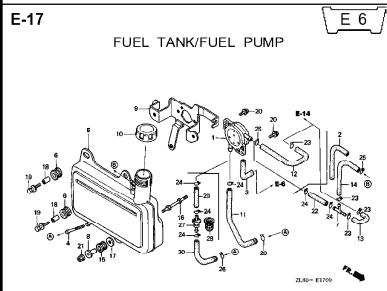
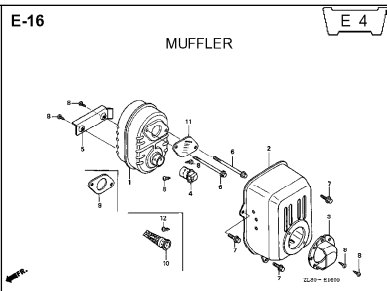
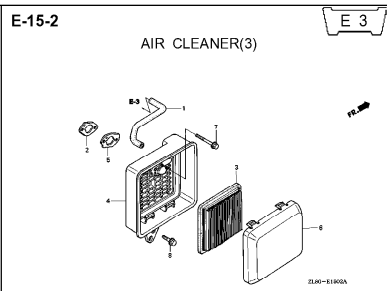
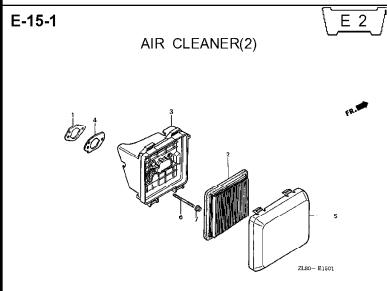
ZL80-E1400A

**E-15** AIR CLEANER(1) **D16**

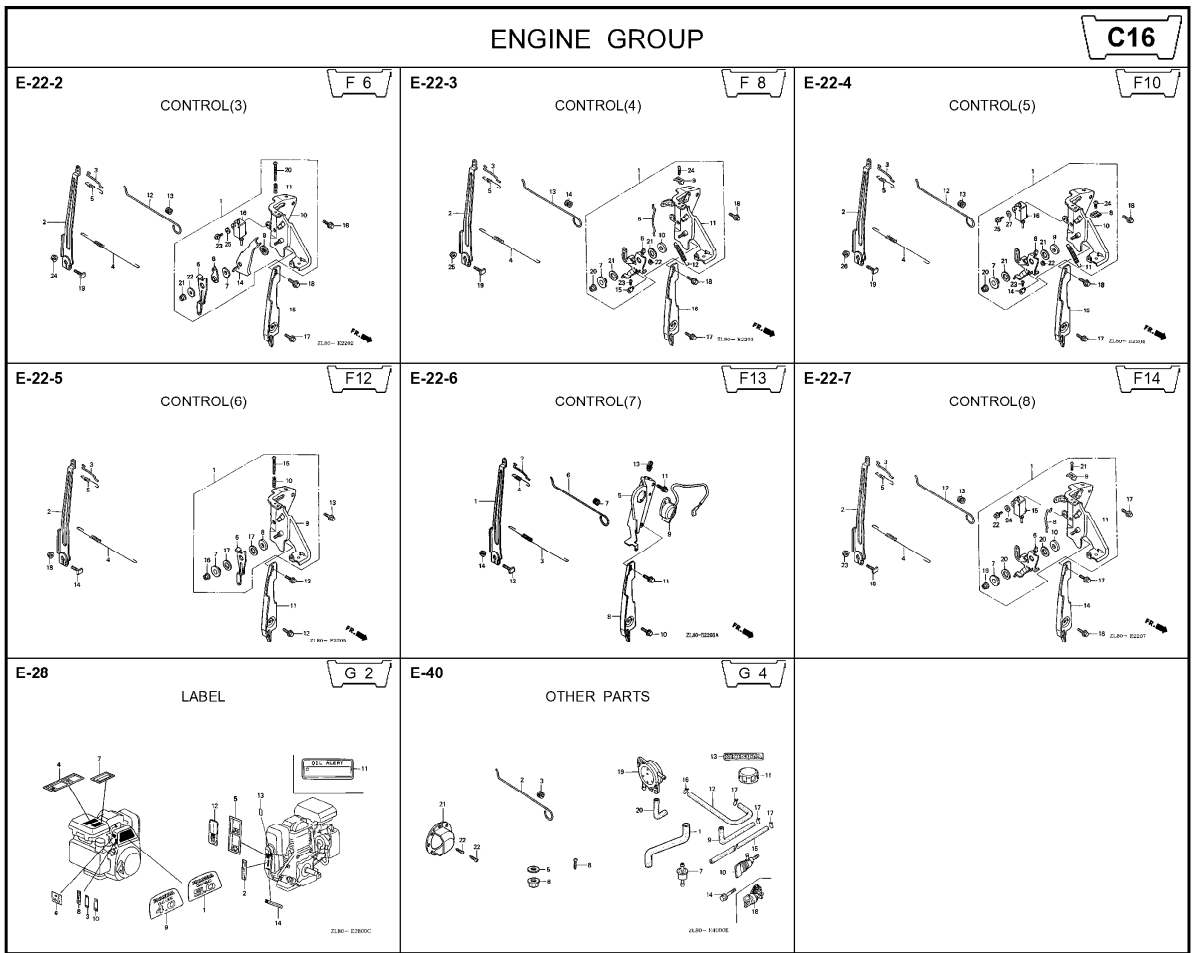
ZL80-E1500

# ENGINE GROUP

**C15**



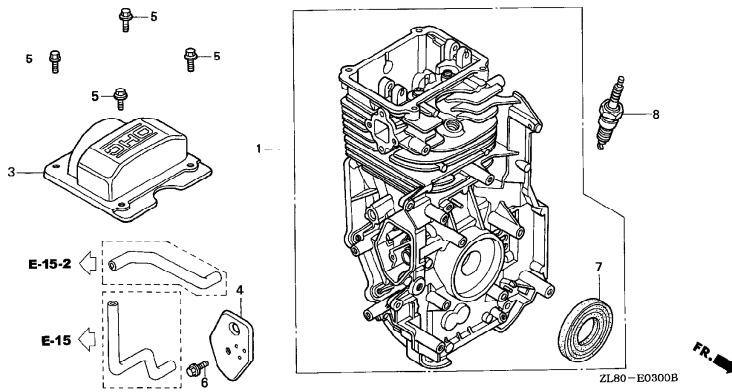
**2**



E-3

CYLINDER BARREL

D 1



Service item	F.R.T.
PLUG, SPARK	0.1
COVER COMP., BREATHER	0.2
IL SEAL, 25.4X62X6	1.3
BARREL ASSY., CYLINDER	1.6

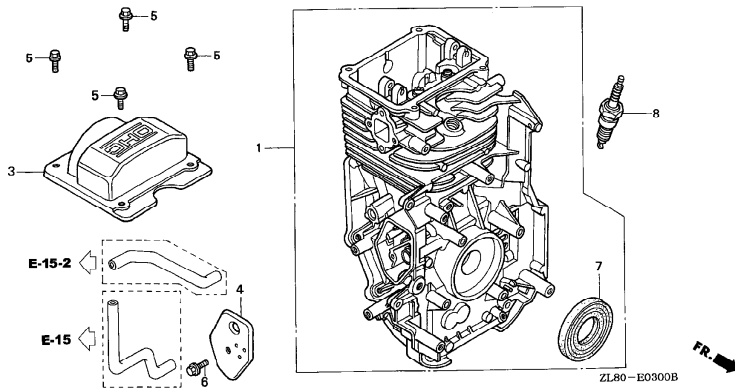
Ref. No.	Part No.	Description	Reqd QTY					Serial No.	Parts catalogue code
			GC 135	GC 160	GC 160A	GC 135E	GC 160E		
1	12000-ZL9-000	BARREL ASSY., CYLINDER	1	-	-	-	-	1075749	PHA, PHC, PHD, PHU, PXA, PXC, PXD, PXU, QHA, QHA1, QHA2, QHC, QHC1, QHE, QHEB, QHEP, QHE1, QHE2, QHE3, QHE4, QHE5, QHU, QHU1, SHE, SHE1, SHE2, SHE3, SHE4, SHE5, SHE6, SHJ, SHJ1, VHA, VHC, VHE, VHJ, VHU, VXA, VXC, VXD, VXE, VXJ, VXU, WHE, WHJ, WME1, WME2, WXE, WXJ
	12000-ZL9-405		1	-	-	-	-	1075750	PHC, PHD, PHU, PXD, QHA2, QHE4, QHU1, SHE3, SHE4, SHE5, VHU, VXD, QFC, QFJ, QHP7, SHJ4, VXP4, VXP5, WKT2
	12000-ZL9-415		1	-	-	-	-	1075750	PHA, PXA, PXC, PXU, QHA, QHA1, QHC, QHC1, QHE, QHEB, QHEP, QHE1, QHE2, QHE3, QHE5, QHU, SHE, SHE1, SHE2, SHE6, SHJ, SHJ1, VHA, VHC, VHE, VHJ, VXA, VXC, VXE, VXJ, VXU, WHE, WHJ, WME1, WME2, WXE, WXJ
	12000-ZL8-000		-	1	-	-	-	1212616	PHA, PHC, PHD, PHU, PXA, PXC, PXD, PXU, QHA, QHA1, QHA2, QHC, QHC1, QHE, QHEB, QHEP, QHE1, QHE2, QHE3, QHE4, QHE5, QHU, QHU1, SHE, SHE1, SHE3, SHE4, SHE5, SHE6, SHJ, SHJ1, VHA, VHC, VHE, VHJ, VHU, VX, VXA, VXC, VXE, VXJ, VXU, WHE, WHJ, WME1, WME2, WXE, WXJ
	12000-ZL8-405		-	1	-	-	-	1212617	PHD, PHU, PXD, QHU1, SHE3, SHE4, SHE5, VHU
	12000-ZL8-415		-	1	1	-	-	1212617	DHAF, MHA2, QBC, QDE, QFC, QHAF, QHAJ, QHET, QHM, QHP7, WKT2
			-	1	-	-	-		PHA, PHC, PXA, PXC, PXU, QHA, QHA1, QHA2, QHC, QHC1, QHE, QHEB, QHEP, QHE1, QHE2, QHE3, QHE4, QHE5, QHU, SHE, SHE1, SHE6, SHJ, SHJ1, VHA, VHC, VHE, VHJ, VX, VXA, VXC, VXE, VXJ, VXU, WHE, WHJ, WME1, WME2, WXE, WXJ
			-	-	1	-	-		PHA, PXU, QHA, QHA1, QHA2, QHC, QHE, QHEB, QHEP, QHE1, QHE2, QHE4, QHE5, QHU, SHE, SHE1, SHE6, VHA, VXA, VXE, VXU
	12000-Z0L-405		-	-	1	-	-		MEAZ

2

E-3

CYLINDER BARREL

D 2



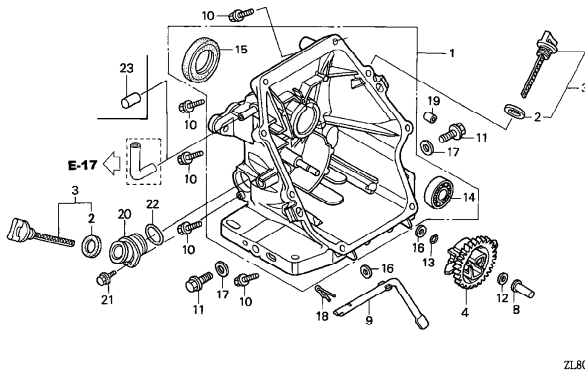
Ref. No.	Part No.	Description	Reqd QTY					Serial No.	Parts catalogue code
			GC 135	GC 160	GC 160A	GC 135E	GC 160E		
3	12311-ZL8-000	COVER, HEAD	1	-	-	-	-	1122153	PHA, PHC, PHD, PHU, PXA, PXC, PXD, PXU, QHA, QHA1, QHA2, QHC, QHC1, QHE, QHEB, QHEP, QHE1, QHE2, QHE3, QHE4, QHE5, QHU, QHU1, SHE, SHE1, SHE2, SHE3, SHE4, SHE5, SHE6, SHJ, SHJ1, VHA, VHC, VHE, VHJ, VHU, VXA, VXC, VXD, VXE, VXJ, VXU, WHE, WHJ, WKT2, WME1, WME2, WXE, WXJ
			-	1	-	-	-	1468766	PHA, PHC, PHD, PHU, PXA, PXC, PXD, PXU, QHA, QHA1, QHA2, QHC, QHC1, QHE, QHEB, QHEP, QHE1, QHE2, QHE3, QHE4, QHE5, QHU, QHU1, SHE, SHE1, SHE2, SHE3, SHE4, SHE5, SHE6, SHJ, SHJ1, VHA, VHC, VHE, VHJ, VHU, VXA, VXC, VXD, VXE, VXJ, VXU, WHE, WHJ, WKT2, WME1, WME2, WXE, WXJ
	12311-ZL8-D00		1	1	-	-	-	1122154	QBC, QFC, QFJ, QHAJ, QHM, QHP7, SHJ4, VXP4, VXP5
			1	-	-	-	-	1468767	PHA, PHC, PHD, PHU, PXA, PXC, PXD, PXU, QHA, QHA1, QHA2, QHC, QHC1, QHE, QHEB, QHEP, QHE1, QHE2, QHE3, QHE4, QHE5, QHU, QHU1, SHE, SHE1, SHE2, SHE3, SHE4, SHE5, SHE6, SHJ, SHJ1, VHA, VHC, VHE, VHJ, VHU, VXA, VXC, VXD, VXE, VXJ, VXU, WHE, WHJ, WKT2, WME1, WME2, WXE, WXJ
4	12355-ZL8-000	COVER COMP., BREATHER	-	-	1	1	1		
5	90013-883-000	BOLT, FLANGE, 6X12(CT200)	4	4	4	4	4		
6	90014-952-000	BOLT, FLANGE, 6X14(CT200)	1	1	1	1	1		
7	91201-ZL8-003	OIL SEAL, 25.4X62X6	1	1	1	1	1		
8	98079-56846	PLUG, SPARK (BPR6ES) (NGK)	1	1	1	1	1		



E-6

CRANKCASE COVER

D 3



ZL80-E0600A

Service item	F.R.T.
WASHER, DRAIN PLUG, 12MM	0.1
SHAFT, GOVERNOR ARM	0.4
GOVERNOR ASSY.	0.5
(INC. RELATIVE PART)	
OIL SEAL, 20X41,25X6	0.6
COVER ASSY., CRANKCASE	0.6
BEARING, RADIAL BALL, 62/28	0.7

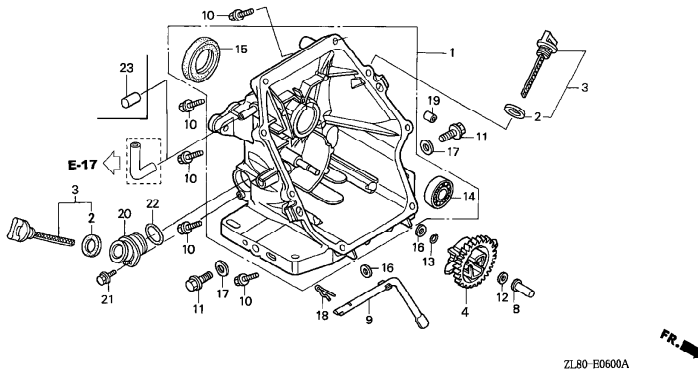
Ref. No.	Part No.	Description	Reqd QTY						Serial No.	Parts catalogue code
			GC 135	GC 160	GC 160A	GC 135E	GC 160E			
1	11300-ZL8-000	COVER ASSY., CRANKCASE	1	-	-	-	-	1108036	SHE,SHE1,SHE2,SHE3,SHE4,SHE5,SHE6,SHJ,SHJ1	
	11300-ZL8-600		-	1	-	-	-	1398445	SHE,SHE1,SHE3,SHE4,SHE5,SHE6,SHJ,SHJ1	
			1	-	-	-	-	1108036	QHA,QHA1,QHA2,QHC,QHC1,QHE,QHEB,QHEP,QHE1,QHE2,QHE3,QHE4,QHE5,QHU,QHU1	
			-	1	-	-	-	1398445	QHA,QHA1,QHA2,QHC,QHC1,QHE,QHEB,QHEP,QHE1,QHE2,QHE3,QHE4,QHE5,QHU,QHU1	
	11300-ZL8-630		1	1	-	1	1		WKT2,WME2,WXE,WXJ	
	11300-ZL8-Q00		1	1	-	1	1		WHE,WHJ,WME1	
			1	-	-	1	-		QFC,QFJ	
	11300-ZL8-010		1	-	-	-	-	1108037	SHE2,SHE3,SHE4,SHE5	
			-	1	-	-	-	1398446	SHE3,SHE4,SHE5,SHJ1	
	11300-ZL8-405		1	1	1	-	-		PHA,PHC,PHD,PHU,QBC,VHA,VHC,VHE,VHJ,VHU	
			-	1	1	-	-		QFC	
	11300-ZL8-406		1	1	1	1	1		PXA,PXC,PXD,PXU,VX,VXA,VXC,VXD,VXE,VXJ,VXP4,VXP5,VXU	
	11300-ZL8-601		1	-	-	-	-	1108037	QHA2,QHE4,QHU1	
			-	1	-	-	-	1398446	QHC1,QHU1	
	11300-ZL8-408		1	-	-	-	-		SHJ4	
			1	-	-	-	-	1108037	SHE,SHE1,SHE6,SHJ,SHJ1	
			-	1	-	-	-	1398446	SHE,SHE1,SHE6,SHJ	
			-	1	1	1	1		SHE,SHE1,SHE6,SHJ,SHJ1	
	11300-ZL8-409		1	1	1	1	1		QHAJ,QHET,QHM,QHP7	
			1	-	-	-	-	1108037	QHA,QHA1,QHC,QHC1,QHE,QHEB,QHEP,QHE1,QHE2,QHE3,QHE5,QHU	
			-	1	-	-	-	1398446	QHA,QHA1,QHA2,QHC,QHE,QHEB,QHEP,QHE1,QHE2,QHE3,QHE4,QHE5,QHU	
			-	-	1	1	1		DHAF,MEA2,MHA2,QHA,QHAF,QHA1,QHA2,QHC,QHE,QHEB,QHEP,QHE1,QHE2,QHE4,QHE5,QHU	
	11300-Z0J-405		-	-	1	-	-		QDE	



E-6

CRANKCASE COVER

D 4



ZL80-E0600A

Ref. No.	Part No.	Description	Reqd QTY					Serial No.	Parts catalogue code
			GC 135	GC 160	GC 160A	GC 135E	GC 160E		
2	15625-ZE1-003	PACKING, OIL FILLER CAP .....	1	1	1	1	1	-----	DHAF, MEA2, MHA2, PHA, PHC, PHD, PHU, PXA, PXC, PXD, PXU, QBC, QFC, QFJ, QHA, QHAF, QHAJ, QHA1, QHA2, QHC, QHC1, QHE, QHEB, QHEP, QHET, QHE1, QHE2, QHE3, QHE4, QHE5, QHM, QHP7, QHU, QHU1, SHE, SHE1, SHE2, SHE3, SHE4, SHE5, SHE6, SHJ, SHJ1, SHJ4, VHA, VHC, VHE, VHE1, VHU, VX, VXA, VXC, VXD, VXE, VXJ, VXP4, VXP5, VXU, WHE, WHJ, WME1
3	15650-ZL8-003	GAUGE ASSY., OIL LEVEL .....	2	2	2	2	2	-----	QDE, WKT2, WME2, WXE, WXJ
			1	1	-	-	-	-----	PHC, PHD, PHU, PXA, PXD, QHU1, SHE2, SHE3, SHE4, SHE5, VHU, VXD
			1	-	-	-	-	-----	PXU, QHA2, QHE4, VHA, VXJ
			1	-	-	-	-	1245479	PHA, PXC, QFC, QFJ, QHA, QHA1, QHC, QHC1, QHE, QHEB, QHEP, QHE1, QHE2, QHE3, QHE5, QHU, SHE, SHE1, SHE6, SHJ, SHJ1, SHJ4, VHC, VHE, VHJ, VXA, VXC, VXE, VXP4, VXP5, VXU, WHE, WHJ, WME1
			2	-	-	-	-	1245479	WKT2, WME2, WXE, WXJ
			-	1	-	-	-	-----	PXC, QHC1, SHJ1, VHC
-	1	-	-	-	1805025	PHA, PXU, QBC, QFC, QHA, QHAJ, QHA1, QHA2, QHC, QHE, QHEB, QHEP, QHET, QHE1, QHE2, QHE3, QHE4, QHE5, QHM, QHU, SHE, SHE1, SHE6, SHJ, VHA, VHE, VHJ, VX, VXA, VXC, VXE, VXJ, VXU, WHE, WHJ, WME1			
-	2	-	-	-	-----	WXJ			
-	2	-	-	-	1805025	WKT2, WME2, WXE			

2

E-6

CRANKCASE COVER

D 5

Ref. No.	Part No.	Description	Reqd. QTY					Serial No.	Parts catalogue code
			GC 135	GC 160	GC 160A	GC 139E	GC 160E		
(3)	15650-ZL8-013	GAUGE ASSY., OIL LEVEL .....	1	1	2	1	1	-----	QDE,QHP7
			1	-	-	-	-	1245480	----- PHA,PXC,QFC,QFJ,QHA,QHA1,QHC,QHC1,QHE,QHEB,QHEP,QHE1,QHE2,QHE3,QHE5,QHU,SHE,SHE1,SHE6,SHJ,SHJ1,SHJ4,VHC,VHE,VHJ,VXA,VXC,VXE,VXP4,VXP5,VXU,WHE,WHJ,WME1
			2	-	-	-	-	1245480	----- WKT2,WME2,WXE,WXJ
			-	1	-	-	-	1805026	----- PHA,PXU,QBC,QFC,QHA,QHAJ,QHA1,QHA2,QHC,QHE,QHEB,QHEP,QHET,QHE1,QHE2,QHE3,QHE4,QHE5,QHM,QHU,SHE,SHE1,SHE6,SHJ,VHA,VHE,VHJ,VX,VXA,VXC,VXE,VXJ,VXU,WHE,WHJ,WME1
			-	2	-	-	-	1805026	----- WKT2,WME2,WXE
			-	-	1	1	1	-----	DHAF,MEA2,MHA2,PHA,PXU,QBC,QFC,QFJ,QHA,QHAF,QHAJ,QHA1,QHA2,QHC,QHE,QHEB,QHEP,QHET,QHE1,QHE2,QHE4,QHE5,QHU,SHE,SHE1,SHE6,SHJ,SHJ1,SHJ4,VHA,VXA,VXE,VXP5,VXU,WHJ,WKT2
4	16510-ZL8-000	GOVERNOR ASSY. ....	1	1	1	1	1	-----	WKT2
8	16531-ZE1-000	SLIDER, GOVERNOR .....	1	1	1	1	1	-----	
9	16541-ZL8-000	SHAFT, GOVERNOR ARM .....	1	1	1	1	1	-----	
10	90121-952-000	BOLT, FLANGE, 6X25 .....	8	8	8	8	8	-----	
11	90131-883-000	BOLT, DRAIN PLUG, 12X15 .....	1	-	-	-	-	1108026	----- QHA,QHA1,QHA2,QHC,QHC1,QHE,QHEB,QHEP,QHE1,QHE2,QHE3,QHE4,QHE5,QHU,QHU1,SHE,SHE1,SHE2,SHE3,SHE4,SHE5,SHE6,SHJ,SHJ1,SHJ4,VHA,VHC,VHE,VHJ,VHU,VX,VXC,VXD,VXE,VXJ,VXP4,VXP5,VXU,WHE,WHJ,WKT2,WME1,WME2,WXE,WXJ
			2	2	2	-	-	-----	QBC,VXA
			2	2	-	-	-	-----	QFC
			-	1	-	-	-	1398445	----- QHA,QHA1,QHA2,QHC,QHC1,QHE,QHEB,QHEP,QHE1,QHE2,QHE3,QHE4,QHE5,QHU,QHU1,SHE,SHE1,SHE2,SHE3,SHE4,SHE5,SHE6,SHJ,SHJ1,SHJ4,VHA,VHC,VHE,VHJ,VHU,VX,VXC,VXD,VXE,VXJ,VXP4,VXP5,VXU,WHE,WHJ,WKT2,WME1,WME2,WXE,WXJ
			-	-	2	-	-	-----	QHC,QHE,QHEB,QHEP,QHE1,QHE2,QHE4,QHE5,QHU,SHE,SHE1,SHE6
			2	2	-	-	-	-----	DHAF,MEA2,MHA2,QDE,QHAF,QHP7,SHJ4
			2	-	-	-	-	1108027	----- QHA,QHA1,QHA2,QHC,QHC1,QHE,QHEB,QHEP,QHE1,QHE2,QHE3,QHE4,QHE5,QHU,QHU1,SHE,SHE1,SHE2,SHE3,SHE4,SHE5,SHE6,SHJ,SHJ1,SHJ4,VHA,VHC,VHE,VHJ,VHU,VX,VXC,VXD,VXE,VXJ,VXP4,VXP5,VXU,WHE,WHJ,WKT2,WME1,WME2,WXE,WXJ
			-	2	-	-	-	1398446	----- QHA,QHA1,QHA2,QHC,QHC1,QHE,QHEB,QHEP,QHE1,QHE2,QHE3,QHE4,QHE5,QHU,QHU1,SHE,SHE1,SHE2,SHE3,SHE4,SHE5,SHE6,SHJ,SHJ1,SHJ4,VHA,VHC,VHE,VHJ,VHU,VX,VXC,VXD,VXE,VXJ,VXP4,VXP5,VXU,WHE,WHJ,WKT2,WME1,WME2,WXE,WXJ
			-	-	2	-	-	-----	QHA,QHA1,QHA2
			-	-	2	2	2	-----	
12	90451-ZE1-000	WASHER, THRUST, 6MM .....	1	1	1	1	1	-----	
13	90602-ZE1-000	CLIP, GOVERNOR HOLDER .....	1	1	1	1	1	-----	
14	91001-ZL8-003	BEARING, RADIAL BALL, 62/28 .....	1	1	1	1	1	-----	PHA,PHC,PHD,PHU,PXA,PXC,PXD,PXU,QBC,QFC,QFJ,VHA,VHC,VHE,VHJ,VHU,VX,VXA,VXC,VXD,VXE,VXJ,VXP4,VXP5,VXU,WHE,WHJ,WKT2,WME1,WME2,WXE,WXJ
15	91202-ZL8-003	OIL SEAL, 28X41.25X6 .....	1	1	1	1	1	-----	
16	94101-06800	WASHER, PLAIN, 6MM .....	2	2	2	2	2	-----	

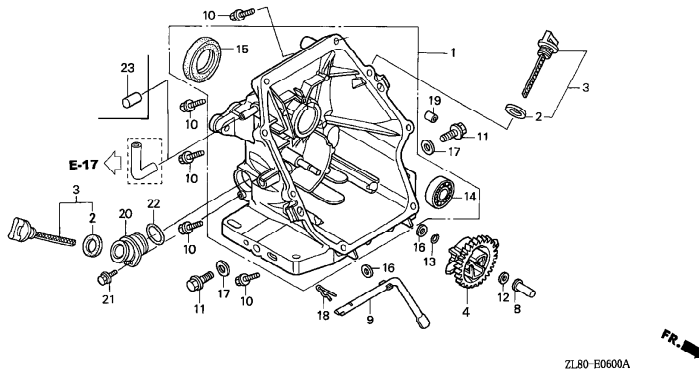
2



E-6

CRANKCASE COVER

D 6



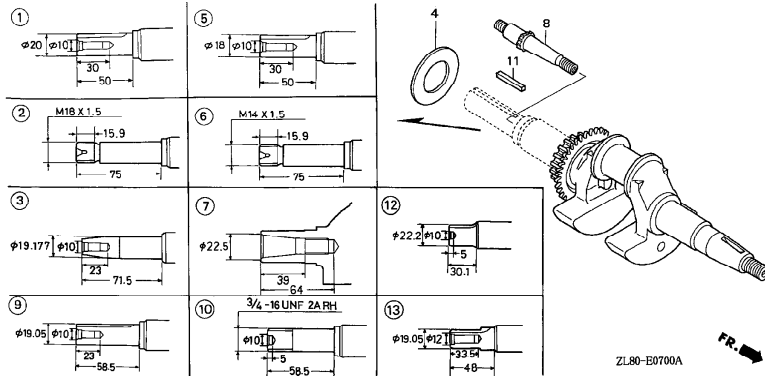
Ref. No.	Part No.	Description	Reqd QTY					Serial No.	Parts catalogue code
			GC 135	GC 160	GC 160A	GC 135E	GC 160E		
17	94109-12000	WASHER, DRAIN PLUG, 12MM ....	1	-	-	-	-	1108026	QHA, QHA1, QHA2, QHC, QHC1, QHE, QHEB, QHEP, QHE1, QHE2, QHE3, QHE4, QHE5, QHU, QHU1, SHE, SHE1, SHE2, SHE3, SHE4, SHE5, SHE6, SHJ, SHJ1
			2	2	2	-	-		PHA, PHC, PHD, PHU, PXA, PXC, PXC, PXD, PXU, QDE, QFJ, QHAJ, QHET, QHM, SHJ4, VHA, VHC, VHE, VHJ, VHU, VX, VXC, VXD, VXE, VXJ, VXP4, VXP5, VXU, WHE, WHJ, WKT2, WME1, WME2, WXE, WXJ
			2	2	-	-	-		QBC, VXA
			2	-	2	-	-		QFC
			-	1	-	-	-	1398445	QHA, QHA1, QHA2, QHC, QHC1, QHE, QHEB, QHEP, QHE1, QHE2, QHE3, QHE4, QHE5, QHU, QHU1, SHE, SHE1, SHE3, SHE4, SHE5, SHE6, SHJ, SHJ1
			-	-	2	-	-		SHE, SHE1, SHE6
			2	2	2	-	-		DHAF, MEA2, MHA2, QHAF, QHP7, SHJ4
			2	-	-	-	-	1108027	QHA, QHA1, QHA2, QHC, QHC1, QHE, QHEB, QHEP, QHE1, QHE2, QHE3, QHE4, QHE5, QHU, QHU1, SHE, SHE1, SHE2, SHE3, SHE4, SHE5, SHE6, SHJ, SHJ1
			-	2	-	-	-	1398446	QHA, QHA1, QHA2, QHC, QHC1, QHE, QHEB, QHEP, QHE1, QHE2, QHE3, QHE4, QHE5, QHU, QHU1, SHE, SHE1, SHE3, SHE4, SHE5, SHE6, SHJ, SHJ1
18	94251-08000	PIN, LOCK, 8MM .....	1	1	1	1	1		
19	94301-08200	DOWEL PIN, 8X20 .....	2	2	2	2	2		
20	15631-ZL8-000	EXTENSION, OIL FILLER .....	1	1	1	1	1		QDE, WKT2, WME2, WXE, WXJ
21	90013-ZL8-000	BOLT, FLANGE, 6X14 (CT200) ...	1	1	1	1	1		QDE, WKT2, WME2, WXE, WXJ
22	91301-ZE9-003	O-RING, 22.5X2.2 .....	1	1	1	1	1		QDE, WKT2, WME2, WXE, WXJ
23	90634-ZL8-H00	CAP, SEALING .....	1	-	-	1	-		VXP4, VXP5



E-7

CRANKSHAFT

D 7



Service item	F.R.T.
SHAFT, P.T.O. ....	0.1
CRANKSHAFT COMP. ....	1.3

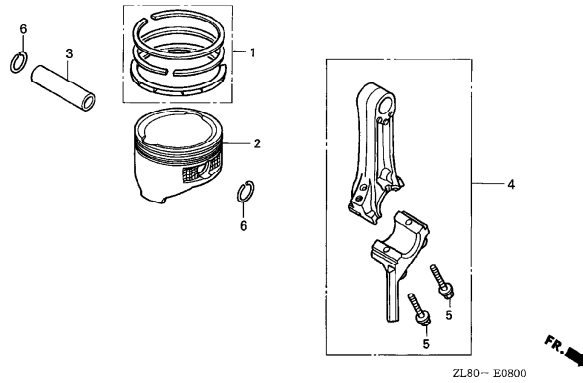
Ref. No.	Part No.	Description	Reqd QTY					Serial No.	Parts catalogue code
			GC 135	GC 160	GC 160A	GC 135E	GC 160E		
1	13310-ZL8-000	CRANKSHAFT COMP. ....	-	1	-	-	-	SHE,SHE1,SHE3,SHE4,SHE5,SHE6,SHJ,SHJ1	
2	13310-ZL8-630	CRANKSHAFT COMP. ....	-	1	-	-	1060719	WHE,WHJ,WXE,WXJ	
	13310-ZL8-631	CRANKSHAFT COMP. ....	-	1	-	-	1060720	WKT2	
		CRANKSHAFT COMP. ....	-	1	-	-	1060720	WHE,WHJ,WXE,WXJ	
		CRANKSHAFT COMP. ....	-	1	-	-	1060720	WHJ	
3	13310-ZL9-670	CRANKSHAFT COMP. ....	1	-	-	-	-	VHA,VHC,VHE,VHJ,VHU,VXA,VXC,VXD,VXE,VXJ,VXP4,VXP5,VXU	
	13310-ZL8-670	CRANKSHAFT COMP. ....	-	1	-	-	1060719	VHA,VHC,VHE,VHJ,VHU,VX,VXA,VXC,VXE,VXJ,VXU	
	13310-ZL8-671	CRANKSHAFT COMP. ....	-	1	-	-	1060720	VHA,VHC,VHE,VHJ,VHU,VX,VXA,VXC,VXE,VXJ,VXU	
4	90402-ZL8-000	WASHER, THRUST	1	1	1	1	-	VHA,VXA,VXE,VXU	
5	13310-ZL9-000	CRANKSHAFT COMP. ....	1	-	-	-	-	SHE,SHE1,SHE2,SHE3,SHE4,SHE5,SHE6,SHJ,SHJ1,SHJ4	
6	13310-ZL9-630	CRANKSHAFT COMP. ....	1	-	-	-	-	WHE,WHJ,WKT2,WXE,WXJ	
7	13310-ZL9-600	CRANKSHAFT COMP. ....	1	-	-	-	-	WME1,WME2	
	13310-ZL8-600	CRANKSHAFT COMP. ....	-	1	-	-	-	WME1,WME2	
8	13312-ZL8-600	SHAFT, P.T.O.	1	1	-	-	-	WME1,WME2	
9	13310-ZL9-600	CRANKSHAFT COMP. ....	1	-	-	-	-	QFC,QFJ,QHA,QHA1,QHA2,QHC,QHC1,QHE,QHEB,QHEP,QHE1,QHE2	
	13310-ZL8-600	CRANKSHAFT COMP. ....	-	1	-	-	1	QHE3,QHE4,QHE5,QHP7,QHU,QHU1	
		CRANKSHAFT COMP. ....	-	1	-	-	1	QBC,QDE,QFC,QHA,QHAF,QHAJ,QHA1,QHA2,QHC,QHC1,QHE,QHEB,QHEP	
		CRANKSHAFT COMP. ....	-	1	-	-	1	QHET,QHE1,QHE2,QHE3,QHE4,QHE5,QHM,QHP7,QHU,QHU1	
10	13310-ZL9-650	CRANKSHAFT COMP. ....	1	-	-	-	-	PHA,PHC,PHD,PHU,PXA,PXC,PXD,PXU	
	13310-ZL8-650	CRANKSHAFT COMP. ....	-	1	-	-	-	PHA,PHC,PHD,PHU,PXA,PXC,PXD,PXU	
11	90745-ZE1-600	KEY, 4.78X4.78X38	1	1	1	1	1	QHET,QHE5,QHM	
12	13310-Z0J-650	CRANKSHAFT COMP. ....	-	-	-	-	-	DHAF	
13	13310-Z0J-660	CRANKSHAFT COMP. ....	-	-	-	-	-	ME2,MHA2	

2

E-8

PISTON/CONNECTING ROD

D 8



Service item	F.R.T.
ROD ASSY., CONNECTING .....	1.0
PISTON .....	1.1
.RING SET, PISTON	

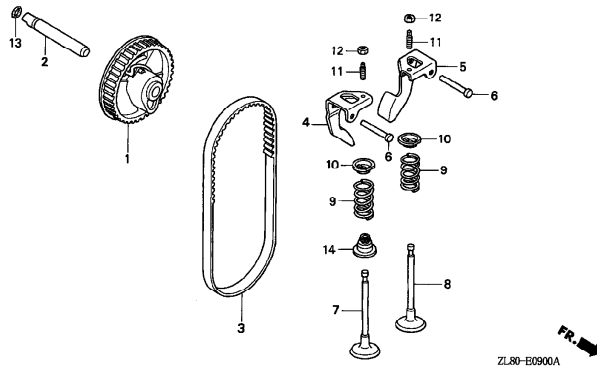
Ref. No.	Part No.	Description	Reqd QTY					Serial No.	Parts catalogue code
			GC 135	GC 160	GC 160A	GC 135E	GC 160E		
1	13010-ZL8-003	RING SET, PISTON (RIKEN) .....	1	1	1	1	1		
	13010-ZL8-004	RING SET, PISTON (TEIKOKU) ..	1	1	-	-	-	----- PHD, PHU, PXD, QHU1, SHE3, SHE4, SHE5, VHU, VXD PHC, QHA2, QHE4	
	13010-ZL8-024	.....	1	1	-	-	-	----- PHA, PXA, PXC, PXU, QBC, QFC, QFJ, QHA, QHAJ, QHA1, QHC, QHC1, QHE QHEB, QHEP, QHET, QHE1, QHE2, QHE3, QHE5, QHM, QHP7, QHU, SHE, SHE1 SHE2, SHE6, SHJ, SHJ1, SHJ4, VHA, VHC, VHE, VHJ, VX, VXA, VXC, VXE, VXJ VXP4, VXP5, VXU, WHE, WHJ, WKT2, WME1, WME2, WXE, WXJ PHC, QHA2, QHE4	
2	13101-ZL8-000	PISTON .....	-	-	1	1	1		
3	13111-ZE0-000	PIN, PISTON .....	1	1	1	1	1		
4	13200-ZL9-000	ROD ASSY., CONNECTING .....	1	-	-	-	-		
	13200-ZL8-000	.....	-	1	1	-	1		
5	90001-ZE1-000	BOLT, CONNECTING ROD .....	2	2	2	2	2		
6	90551-ZE0-000	CLIP, PISTON PIN, 13MM .....	2	2	2	2	2		

2

E-9

CAMSHAFT

D 9



Service item	F.R.T.
ARM, IN. VALVE ROCKER	0.3
(ADD 0.1 FOR EACH.)	
O-RING, 6.8X1.9	0.4
PULLEY COMP., CAMSHAFT	1.0
BELT, TIMING	1.3
SEAL, VALVE STEM	1.3
VALVE	
(ADD 0.1 FOR EACH.)	

Ref. No.	Part No.	Description	Reqd QTY					Serial No.	Parts catalogue code
			GC 135	GC 160	GC 160A	GC 135E	GC 160E		
1	14320-ZL8-010	PULLEY COMP., CAMSHAFT	1	1	1	1	1		
2	14324-ZL8-000	SHAFT, CAM PULLEY	1	1	1	1	1		
3	14400-ZL9-013	BELT, TIMING (79HU7 G-200)	1	-	-	1	-		
	14400-ZL8-013	BELT, TIMING (84HU7 G-200)	-	1	-	-	1		
	14400-Z0J-014		-	-	1	-	-		
4	14431-ZL8-000	ARM, IN. VALVE ROCKER	1	1	-	-	-		
			-	-	1	-	-	DHAF, MHA2, PHA, PXU, QBC, QDE, QFC, QHA, QHAF, QHAJ, QHA1, QHA2, QHC, QHE, QHEB, QHEP, QHET, QHE1, QHE2, QHE4, QHE5, QHU, SHE, SHE1, SHE6, VHA, VXA, VXE, VXU, MEA2	
	14431-Z0J-000		-	-	1	-	-		
			-	-	-	1	1		
5	14441-ZL8-000	ARM, EX. VALVE ROCKER	1	1	-	-	-		
			-	-	1	-	-	DHAF, MHA2, PHA, PXU, QBC, QDE, QFC, QHA, QHAF, QHAJ, QHA1, QHA2, QHC, QHE, QHEB, QHEP, QHET, QHE1, QHE2, QHE4, QHE5, QHU, SHE, SHE1, SHE6, VHA, VXA, VXE, VXU, MEA2	
	14441-Z0J-000		-	-	1	-	-		
			-	-	-	1	1		
6	14461-ZL8-000	SHAFT, ROCKER ARM	2	2	2	2	2		
7	14711-ZL8-000	VALVE, IN.	1	1	1	1	1		
8	14721-ZL8-000	VALVE, EX.	1	1	1	1	1		
9	14751-ZL8-000	SPRING, VALVE	2	2	2	2	2		
10	14771-ZE1-000	RETAINER, IN. VALVE SPRING	2	2	-	2	2		
			-	-	2	-	-	DHAF, MHA2, PHA, PXU, QBC, QDE, QFC, QHA, QHAF, QHAJ, QHA1, QHA2, QHC, QHE, QHEB, QHEP, QHET, QHE1, QHE2, QHE4, QHE5, QHU, SHE, SHE1, SHE6, VHA, VXA, VXE, VXU, MEA2	
	14771-Z0J-000	RETAINER, VALVE SPRING	-	-	2	-	-		
			-	-	-	-	-	MEA2	
11	90012-333-000	SCREW, TAPPET ADJUSTING	2	2	2	2	2		

2

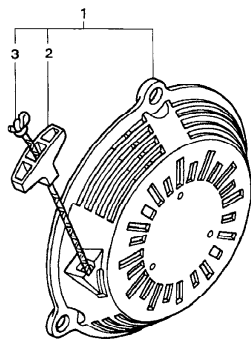
**E-9**
**CAMSHAFT**
**D10**

Ref. No.	Part No.	Description	Reqd QTY					Serial No.	Parts catalogue code
			GC 135	GC 160	GC 160A	GC 135E	GC 160E		
12	90206-001-000	NUT, TAPPET ADJUSTING .....	2	2	2	2	2		
13	91301-ZMO-V31	O-RING, 6.8X1.9(CARAI) .....	1	1	1	-	-		
	91301-ZOM-003	O-RING, 6.8X1.9 .....	-	-	-	1	1		
14	12209-ZMO-003	SEAL, VALVE STEM .....	1	1	-	-	-	----- QFJ,QHP7,SHJ4,VXP5	
			1	-	-	-	-	----- QFC	
			1	-	-	-	1191219	----- PHA,PXA,PXC,PXU,QHA,QHA1,QHC,QHC1,QHE,QHEB,QHEP,QHE1,QHE2,QHE3,QHE5,QHU,SHE,SHE1,SHE2,SHE6,SHJ,SHJ1,VHA,VHC,VHE,VHJ,VXA,VXC,VXE,VXJ,VXP4,VXU,WHE,WHJ,WKT2,WME1,WME2,WXE,WXJ	
			-	1	-	-	1758847	----- PHA,PHC,PXA,PXC,PXU,QBC,QFC,QHA,QHAJ,QHA1,QHA2,QHC,QHC1,QHE,QHEB,QHEP,QHE1,QHE2,QHE3,QHE4,QHE5,QHM,QHU,SHE,SHE1,SHE6,SHJ,SHJ1,VHA,VHC,VHE,VHJ,VX,VXA,VXC,VXE,VXJ,VXU,WHE,WHJ,WKT2,WME1,WME2,WXE,WXJ	
			-	-	1	1	1		

E-11

RECOIL STARTER

D11



ZL80- E1100



Service item	F.R.T.
STARTER ASSY., RECOIL .....	0.1
ROPE, RECOIL STARTER .....	0.3

Ref. No.	Part No.	Description	Reqd QTY						Serial No.	Parts catalogue code
			GC 135	GC 160	GC 160A	GC 135E	GC 160E			
1	28400-ZL8-0032A	STARTER ASSY., RECOIL *NH1*.....BLACK	1	-	-	-	-	1077762	PHA,PHC,PHD,PHU,PXA,PXC,PXD,PXU,QHA,QHA1,QHA2,QHC,QHC1,QHE,QHEB,QHEP,QHE1,QHE2,QHE3,QHE4,QHE5,QHU,QHU1,SHE,SHE1,SHE2,SHE3,SHE4,SHE5,SHE6,SHJ,SHJ1,VHA,VHC,VHE,VHJ,VHU,VXA,VXC,VXD,VXE,VXJ,VXU,WHE,WHJ,WME1,WME2,WXE,WXJ	
				1	-	-	-	1210407	PHA,PHC,PHD,PHU,PXA,PXC,PXD,PXU,QHA,QHA1,QHA2,QHC,QHC1,QHE,QHEB,QHEP,QHE1,QHE2,QHE3,QHE4,QHE5,QHU,QHU1,SHE,SHE1,SHE3,SHE4,SHE5,SHE6,SHJ,SHJ1,VHA,VHC,VHE,VHJ,VHU,VX,VXA,VXC,VXE,VXJ,VXU,WHE,WHJ,WME1,WME2,WXE,WXJ	
	28400-ZL8-0032B	*R8*.....BRIGHT RED	1	-	-	-	-	1077762	QHE,QHEB,QHEP,SHE6,VXE	
			1	1	1	-	-	1210407	QHE,QHEB,QHEP,QHE5,SHE,SHE1,SHE6,VHE,VXE	
	28400-ZL8-0132A	*NH1*.....BLACK	1	1	1	-	-		DHAF,MEA2,MHA2,QBC,QDE,QFC,QFJ,QHAF,QHET,QHM,QHP7,SHJ4,VXP4,VXP5,WKT2	
			1	-	-	-	-	1077763	PHA,PHC,PHD,PHU,PXA,PXC,PXD,PXU,QHA,QHA1,QHA2,QHC,QHC1,QHE,QHEB,QHEP,QHE1,QHE2,QHE3,QHE4,QHE5,QHU,QHU1,SHE,SHE1,SHE2,SHE3,SHE4,SHE5,SHE6,SHJ,SHJ1,VHA,VHC,VHE,VHJ,VHU,VXA,VXC,VXD,VXE,VXJ,VXU,WHE,WHJ,WME1,WME2,WXE,WXJ	
			-	1	-	-	-	1210408	PHA,PHC,PHD,PHU,PXA,PXC,PXD,PXU,QHA,QHA1,QHA2,QHC,QHC1,QHE,QHEB,QHEP,QHE1,QHE2,QHE3,QHE4,QHE5,QHU,QHU1,SHE,SHE1,SHE3,SHE4,SHE5,SHE6,SHJ,SHJ1,VHA,VHC,VHE,VHJ,VHU,VX,VXA,VXC,VXE,VXJ,VXU,WHE,WHJ,WME1,WME2,WXE,WXJ	
			-	-	1	-	-		PHA,PXU,QHA,QHA1,QHA2,QHC,QHE,QHEP,QHE1,QHE2,QHE4,QHE5,QHU,SHE,SHE1,SHE6,VHA,VXA,VXE,VXU	
			-	-	-	1	1			



**E-11**
**RECOIL STARTER**
**D12**

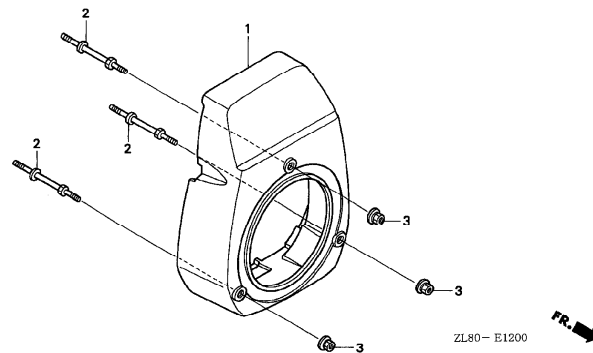
ZL80- E1100

Ref. No.	Part No.	Description	Reqd QTY					Serial No.	Parts catalogue code
			GC 135	GC 160	GC 160A	GC 135E	GC 160E		
(1)	28400-ZL8-013ZB	STARTER ASSY., RECOIL							
		*R8*.....BRIGHT RED	1	-	-	-	-	-----	1245479 QHE1,SHE,SHE1
			1	-	-	-	-	-----	1077763 1245479 QHE,QHEB,QHEP,SHE6,VXE
			-	1	-	-	-	-----	PHC,PXA,PXC,QHC1,SHJ1,VHC,WXJ
			-	1	-	-	-	-----	1804973 PHA,PXU,QHA,QHA1,QHA2,QHC,QHE1,QHE2,QHE3,QHE4,QUH,SHJ,VHA
			-	1	-	-	-	-----	VHJ,VX,VXA,VXC,VXJ,VXU,WHE,WHJ,WXE
	28400-ZM0-013ZA	*NH1*.....BLACK	-	1	-	-	-	-----	1804973 QHE,QHEB,QHEP,QHE5,SHE,SHE1,SHE6,VHE,VXE
	28400-ZL8-013ZC	*R280*.....POWER RED	1	1	1	-	-	-----	QHE,QHEB,QHEP,QHE2,QHE5,SHE,SHE1,SHE6,VXE
			1	1	1	-	-	-----	QHAJ
			1	-	-	-	-	-----	MEA2,QHP7
			-	1	-	-	-	-----	1245480 QHE,QHEB,QHEP,QHE1,SHE,SHE1,SHE6,VXE
			-	1	-	-	-	-----	1804974 PHA,PXU,QHA,QHA1,QHA2,QHC,QHE,QHEB,QHEP,QHE1,QHE2,QHE3
			-	-	-	1	1	-----	QHE4,QHE5,QUH,SHE,SHE1,SHE6,SHJ,VHA,VHE,VHJ,VX,VXA,VXC,VXE
			-	-	-	1	1	-----	VXJ,VXU,WHE,WHJ,WXE
2	28461-ZL8-003	GRIP, STARTER .....	1	1	1	1	1	-----	
3	28462-ZL8-003	ROPE, RECOIL STARTER .....	1	1	1	1	1	-----	

E-12

FAN COVER

D13



Service item	F.R.T.
BOLT, STUD	0.2
COVER, FAN	

Ref. No.	Part No.	Description	Reqd QTY					Serial No.	Parts catalogue code
			GC 135	GC 160	GC 160A	GC 135E	GC 160E		
1	19611-ZL9-000ZA	COVER, FAN							
		*NH1*.....BLACK	1	-	-	1	-		
	19611-ZL9-000ZB	*R8*.....BRIGHT RED	1	-	-	-	-	1245479 QHE, QHEB, QHEP, QHE1, SHE, SHE1, SHE6, VXE	
	19611-ZL9-000ZC	*R280*.....POWER RED	1	-	-	-	-	QHP7	
			-	-	-	1	-	1245480 QHE, QHEB, QHEP, QHE1, SHE, SHE1, SHE6, VXE	
	19611-ZL8-000ZA	*NH1*.....BLACK	-	1	-	-	1		
			-	-	1	-	-	DHAF, MHA2, PHA, PXU, QBC, QDE, QFC, QHA, QHAF, QHAJ, QHA1, QHA2, QHC, QHE, QHEP, QHET, QHE1, QHE2, QHE4, QHE5, QHU, SHE, SHE1, SHE6, VHA, VXA, VXE, VXU	
	19611-ZL8-000ZB	*R8*.....BRIGHT RED	-	1	-	-	-	PHC, PXA, PXC, QHC1, SHJ1, VHC, WXJ	
			-	1	-	-	-	1804973 PHA, PXU, QHA, QHA1, QHA2, QHC, QHE, QHEB, QHEP, QHE1, QHE2, QHE3, QHE4, QHE5, QHU, SHE, SHE1, SHE6, SHJ, VHA, VHE, VHJ, VX, VXA, VXC, VXE, VXJ, VXU, WHE, WHJ, WXE	
	19611-ZL8-000ZC	*R280*.....POWER RED	-	-	1	-	-	QHE, QHEB, QHEP, QHE2, QHE5, SHE, SHE1, SHE6, VXE	
			-	1	-	-	-	QHP7	
			-	1	-	-	-	1804974 PHA, PXU, QHA, QHA1, QHA2, QHC, QHE, QHEB, QHEP, QHE1, QHE2, QHE3, QHE4, QHE5, QHU, SHE, SHE1, SHE6, SHJ, VHA, VHE, VHJ, VX, VXA, VXC, VXE, VXJ, VXU, WHE, WHJ, WXE	
	19611-Z0J-820ZA	*NH1*.....BLACK	-	-	-	-	1		
	19611-Z0J-820ZB	*R280*.....POWER RED	-	-	1	-	-	MEA2	
2	90041-ZL9-000	BOLT, STUD	3	-	-	3	-		
	90043-ZL8-000		-	3	3	-	3		
3	90201-ZM0-000	NUT, FLANGE, 6MM	3	3	3	3	3		

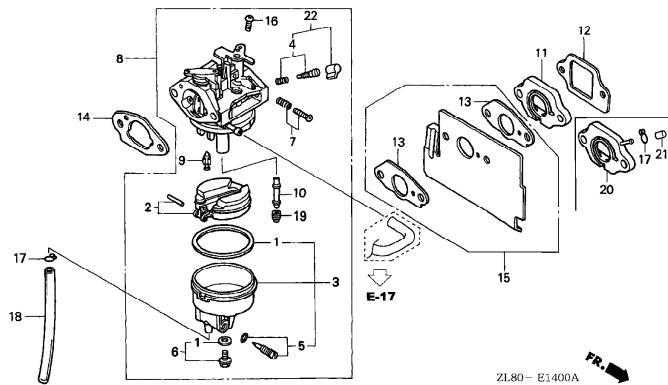




E-14

CARBURETOR

D14



Service item	F.R.T.
SCREW SET A .....	0.2
CARBURETOR ASSY. ....	0.3
.GUIDE COMP., AIR	
.INSULATOR, CARBURETOR	
.PACKING, CARBURETOR	
(SAME TIME FOR TWO UNITS)	
.PACKING, INSULATOR	
FLOAT SET .....	0.4
.JET, MAIN	
.VALVE COMP., FLOAT	

Ref. No.	Part No.	Description	Reqd QTY					Serial No.	Parts catalogue code
			GC 135	GC 160	GC 160A	GC 135E	GC 160E		
1	16010-883-015	PACKING SET .....	1	1	1	1	1		
2	16013-ZL1-003	FLOAT SET .....	1	1	1	1	1		
3	16015-ZL8-003	CHAMBER SET, FLOAT .....	1	1	1	1	1		
4	16016-892-005	SCREW SET A .....	1	-	-	-	-		
		(CARBURETOR NO.)							
		..	-	1	-	-	-	BB63A B PHD,PHU,PXD,PXU,QHE,QHEB,QHEP,QHE1,QHE2,QHE3,QHE4,QHE5,QHU,QHU1,SHE,SHE1,SHE2,SHE3,SHE4,SHE5,SHE6,SHJ,SHJ1,VHE,VHJ,VHU,VXD,VXE,VXJ,VXU,WHE,WHJ,WME1,WXE,WXJ	
		..	-	1	-	-	-	BB61A C PHD,PHU,PXD,PXU,QHE,QHEB,QHEP,QHE1,QHE2,QHE3,QHE4,QHE5,QHU,QHU1,SHE,SHE1,SHE3,SHE4,SHE5,SHE6,SHJ,SHJ1,VHE,VHJ,VHU,VX,VXE,VXJ,VXU,WHE,WHJ,WME1,WXE,WXJ	
5	16024-124-760	SCREW SET, DRAIN .....	1	1	1	1	1		
6	16028-ZE0-005	SCREW SET .....	1	1	1	1	1		
7	16029-ZG0-901	SCREW SET .....	1	1	1	1	1		
8	16100-ZL9-003	CARBURETOR ASSY. (BB63A A) ..	1	-	-	-	-	1054664 PHD,PHU,PXD,PXU,QHE,QHEB,QHEP,QHE1,QHE2,QHE3,QHE4,QHE5,QHU,QHU1,SHE,SHE1,SHE2,SHE3,SHE4,SHE5,SHE6,SHJ,SHJ1,VHE,VHJ,VHU,VXD,VXE,VXJ,VXU,WHE,WHJ,WME1,WXE,WXJ	
	16100-ZL9-013	CARBURETOR ASSY. (BB63A B) ..	1	-	-	-	-	1054665 1122153 PHD,PHU,PXD,PXU,QHE,QHEB,QHEP,QHE1,QHE2,QHE3,QHE4,QHE5,QHU,QHU1,SHE,SHE1,SHE2,SHE3,SHE4,SHE5,SHE6,SHJ,SHJ1,VHE,VHJ,VHU,VXD,VXE,VXJ,VXU,WHE,WHJ,WME1,WXE,WXJ	
	16100-ZL9-801	CARBURETOR ASSY. (BB63B A) ..	1	-	-	-	-	1054664 PHA,PHC,PXA,PXC,QHA,QHA1,QHA2,QHC,QHC1,VHA,VHC,VXA,VXC	
	16100-ZL9-802	CARBURETOR ASSY. (BB63B B) ..	1	-	-	-	-	1054665 QFC,QFJ,QHP7,SHJ4,VXP4,VXP5,WKT2,WME2	
			1	-	-	-	-	1054665 PHA,PHC,PXA,PXC,QHA,QHA1,QHA2,QHC,QHC1,VHA,VHC,VXA,VXC	
			1	-	-	-	-	1122154 PHD,PHU,PXD,PXU,QHE,QHEB,QHEP,QHE1,QHE2,QHE3,QHE4,QHE5,QHU,QHU1,SHE,SHE1,SHE2,SHE3,SHE4,SHE5,SHE6,SHJ,SHJ1,VHE,VHJ,VHU,VXD,VXE,VXJ,VXU,WHE,WHJ,WME1,WXE,WXJ	
			-	-	-	1	-		



E-14

CARBURETOR

D15

Ref. No.	Part No.	Description	Reqd. QTY					Serial No.	Parts catalogue code
			GC 135	GC 160	GC 160A	GC 135E	GC 160E		
(8)	16100-ZL8-003	CARBURETOR ASSY. (BB61A B) ..	-	1	-	-	-	1113613	PHD, PHU, PXD, PXU, QHE, QHEB, QHEP, QHE1, QHE2, QHE3, QHE4, QHE5, QHU, QHU1, SHE, SHE1, SHE3, SHE4, SHE5, SHE6, SHJ, SHJ1, VHE, VHJ, VHU, VX, VXE, VXJ, VXU, WHE, WHJ, WXE, WXJ
	16100-ZL8-013	CARBURETOR ASSY. (BB61A C) ..	-	1	-	-	-	1468998	QHE1, WME1
	16100-ZL8-801	CARBURETOR ASSY. (BB61B B) ..	-	1	-	-	-	1113614	PHD, PHU, PXD, PXU, QHE, QHEB, QHEP, QHE1, QHE2, QHE3, QHE4, QHE5, QHU, QHU1, SHE, SHE1, SHE3, SHE4, SHE5, SHE6, SHJ, SHJ1, VHE, VHJ, VHU, VX, VXE, VXJ, VXU, WHE, WHJ, WXE, WXJ
	16100-ZL8-802	CARBURETOR ASSY. (BB61B C) ..	-	1	-	-	-	1125913	PHA, PHC, PXA, PXC, QHA, QHA1, QHA2, QHC, QHC1, VHA, VHC, VXA, VXC
			-	1	-	-	-	1468998	QBC, QFC, QHAJ, QHM, QHP7, WKT2, WME2
			-	1	-	-	-	1125914	PHA, PHC, PXA, PXC, QHA, QHA1, QHA2, QHC, QHC1, VHA, VHC, VXA, VXC
			-	1	-	-	-	1468999	PHD, PHU, PXD, PXU, QHE, QHEB, QHEP, QHE1, QHE2, QHE3, QHE4, QHE5, QHU, QHU1, SHE, SHE1, SHE3, SHE4, SHE5, SHE6, SHJ, SHJ1, VHE, VHJ, VHU, VX, VXE, VXJ, VXU, WHE, WHJ, WME1, WXE, WXJ
9	16155-ZL8-003	VALVE COMP., FLOAT .....	-	-	1	-	-		
10	16166-ZL9-003	NOZZLE, MAIN .....	1	1	1	1	1		
	16166-ZL8-003	.....	1	-	-	-	-		
	16166-ZL8-003	.....	-	1	1	-	-		
11	16211-ZL8-000	INSULATOR, CARBURETOR .....	1	1	1	1	1	-----	DHAF, MEA2, MHA2, PHA, PHC, PHD, PHU, PXA, PXC, PXD, PXU, QBC, QDE, QFC, QFJ, QHA, QHAF, QHAJ, QHA1, QHA2, QHC, QHC1, QHE, QHET, QHE1, QHE2, QHE3, QHE4, QHE5, QHM, QHU, QHU1, SHE, SHE1, SHE2, SHE3, SHE4, SHE5, SHE6, SHJ, SHJ1, SHJ4, VHA, VHC, VHE, VHJ, VHU, VX, VXA, VXC, VXD, VXE, VXJ, VXP4, VXP5, VXU, WHE, WHJ, WKT2, WME1, WME2, WXE, WXJ
12	16212-ZL8-000	PACKING, INSULATOR .....	1	-	-	1	-	-----	QHEB
13	16221-883-800	PACKING, CARBURETOR .....	1	1	1	1	1		
14	16228-ZL8-000	PACKING, CARBURETOR .....	2	2	2	2	2		
15	19650-ZL9-000	GUIDE COMP., AIR .....	1	1	1	1	1		
	19650-ZL8-000	.....	1	-	-	1	-		
	19650-ZL8-000	.....	-	1	1	-	-		
16	93500-05006-1H	SCREW, PAN, 5X6 .....	1	1	1	1	1		
17	95002-02650	CLIP, TUBE (B6.5) .....	1	1	1	1	1	-----	DHAF, MEA2, MHA2, PHA, PHC, PHD, PHU, PXA, PXC, PXD, PXU, QBC, QDE, QFC, QFJ, QHA, QHAF, QHAJ, QHA1, QHA2, QHC, QHC1, QHE, QHET, QHE1, QHE2, QHE3, QHE4, QHE5, QHM, QHU, QHU1, SHE, SHE1, SHE2, SHE3, SHE4, SHE5, SHE6, SHJ, SHJ1, SHJ4, VHA, VHC, VHE, VHJ, VHU, VX, VXA, VXC, VXD, VXE, VXJ, VXP4, VXP5, VXU, WHE, WHJ, WKT2, WME1, WME2, WXE, WXJ
			1	2	2	1	2	-----	QHEB
			2	2	2	2	2	-----	QHEP, QHP7
18	95003-07015-31	TUBE, VINYL, 4X7X150 (95003-07001-60M)	1	1	1	1	1		
19	99101-124-0550	JET, MAIN, #55 .....	(1)	-	-	(1)	-		
	99101-124-0580	JET, MAIN, #58 .....	(1)	-	-	(1)	-		
	99101-124-0600	JET, MAIN, #60 .....	1	(1)	(1)	1	(1)		
	99101-124-0620	JET, MAIN, #62 .....	-	(1)	(1)	-	(1)		
	99101-124-0650	JET, MAIN, #65 .....	-	1	1	-	1		
20	16210-ZL8-000	INSULATOR, CARBURETOR .....	1	1	1	1	1	-----	QHEP, QHP7
			-	1	1	-	1	-----	QHEB
21	90634-ZL8-000	CAP, SEALING .....	1	1	1	1	1	-----	QHEP, QHP7
			-	1	1	-	1	-----	QHEB
22	16016-Z60-W00	SCREW SET .....	1	1	-	-	-	-----	PHA, PHC, PXA, PXC, QBC, QFC, QFJ, QHA, QHAJ, QHA1, QHA2, QHC, QHC1, QHET, QHM, QHP7, SHJ4, VHA, VHC, VXA, VXC, VXP4, VXP5, WKT2, WME2
	(CARBURETOR NO.)		1	-	-	-	-	BB63B B	PHD, PHU, PXD, PXU, QHE, QHEB, QHEP, QHE1, QHE2, QHE3, QHE4, QHE5, QHU, QHU1, SHE, SHE1, SHE2, SHE3, SHE4, SHE5, SHE6, SHJ, SHJ1, VHE, VHJ, VHU, VXD, VXE, VXJ, VXU, WHE, WHJ, WME1, WXE, WXJ
	..		-	1	-	-	-	BB61B C	PHD, PHU, PXD, PXU, QHE, QHEB, QHEP, QHE1, QHE2, QHE3, QHE4, QHE5, QHU, QHU1, SHE, SHE1, SHE3, SHE4, SHE5, SHE6, SHJ, SHJ1, VHE, VHJ, VHU, VX, VXE, VXJ, VXU, WHE, WHJ, WME1, WXE, WXJ
			-	-	1	1	1		



**E-15**
**AIR CLEANER(1)**
**D16**

Service item	F.R.T.
ELEMENT, AIR CLEANER .....	0.1
TUBE, BREATHER .....	
CASE COMP., AIR CLEANER .....	0.2
PACKING, AIR CLEANER .....	

Ref. No.	Part No.	Description	Reqd QTY						Serial No.	Parts catalogue code
			GC 135	GC 160	GC 160A	GC 135E	GC 160E			
1	15721-ZL9-000	TUBE, BREATHER .....	1	-	-	1	-	-	PHA,PHC,PHD,PHU,PXA,PXC,PXD,PXU,QFC,QFJ,QHA,QHA1,QHA2,QHC,QHC1,QHE,QHEB,QHEP,QHE1,QHE2,QHE3,QHE4,QHE5,QHP7,QUH,QUH1,SHE,SHE1,SHE2,SHE3,SHE4,SHE5,SHE6,SHJ,SHJ1,SHJ4,VHA,VHC,VHE,VHJ,VHU,VXA,VXC,VXD,VXE,VXJ,VXU,WHE,WHJ,WKT2,WME1,WME2,WXE,WXJ	
2	17211-ZL8-000	ELEMENT, AIR CLEANER .....	1	1	1	-	1	-	PHC,PHD,PHU,PXA,PXD,QUH1,SHE2,SHE3,SHE4,SHE5,VHU,VXD,PXU,QHA2,QHE4,VHA	
	17211-ZL8-003	.....	-	1	-	-	-	-	PXC,QHC1,SHJ1,VHC,WXJ	
	17211-ZL8-013	.....	-	-	1	-	-	-	PHA,QBC,QFC,QFJ,QHA,QHAJ,QHA1,QHC,QHE,QHEB,QHEP,QHE1,QHE2,QHE3,QHE5,QHM,QHP7,QUH,SHE,SHE1,SHE6,SHJ,SHJ4,VHE,VHU,VX,VXA,VXC,VXE,VXJ,VXU,WHE,WHJ,WKT2,WME1,WME2,WXE	
		.....	1	-	-	-	-	-	PXC,QHC1,SHJ1,VHC,WXJ	
		.....	-	1	-	-	-	-	PXU,QHA2,QHE4,VHA	
		.....	-	-	-	1	-	-	QFJ,QHE,QHEB,QHEP,QHE1,QHE2,QHE5,QHP7,QUH,SHE,SHE1,SHE6,SHJ,SHJ1,SHJ4,VXE,VXU,WHJ,WKT2	
3	17220-ZL8-000	CASE COMP., AIR CLEANER .....	1	-	-	1	-	-	PHA,PHC,PHD,PHU,PXA,PXC,PXD,PXU,QFC,QFJ,QHA,QHA1,QHA2,QHC,QHC1,QHE,QHEB,QHEP,QHE1,QHE2,QHE3,QHE4,QHE5,QHP7,QUH,QUH1,SHE,SHE1,SHE2,SHE3,SHE4,SHE5,SHE6,SHJ,SHJ1,SHJ4,VHA,VHC,VHE,VHJ,VHU,VXA,VXC,VXD,VXE,VXJ,VXU,WHE,WHJ,WKT2,WME1,WME2,WXE,WXJ	
		.....	-	1	1	-	1	-		

E-15

AIR CLEANER(1)

E 1

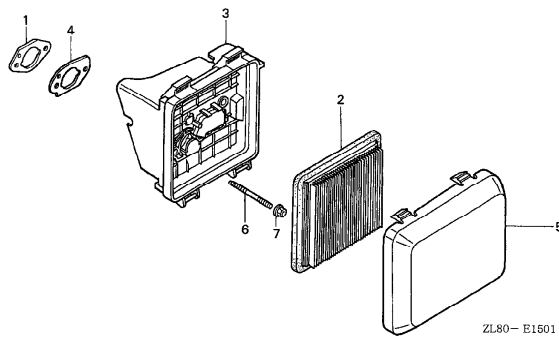
Ref. No.	Part No.	Description	Reqd. QTY					Serial No.	Parts catalogue code
			GC 135	GC 160	GC 160A	GC 135E	GC 160E		
4	17228-ZL8-000	PACKING, AIR CLEANER	1	-	-	1	-	-----	PHA,PHC,PHD,PHU,PXA,PXC,PXD,PXU,QFC,QFJ,QHA,QHA1,QHA2,QHC,QHC1,QHE,QHEB,QHEP,QHE1,QHE2,QHE3,QHE4,QHE5,QHP7,QHU,QHU1,SHE,SHE1,SHE2,SHE3,SHE4,SHE5,SHE6,SHJ,SHJ1,SHJ4,VHA,VHC,VHE,VHJ,VHU,VXA,VXC,VXD,VXE,VXJ,VXU,WHE,WHJ,WKT2,WME1,WME2,WXE,WXJ
5	17231-ZL8-000	COVER, AIR CLEANER	-	1	1	-	1	-----	PHC,PHD,PHU,PXA,PXD,QHU1,SHE2,SHE3,SHE4,SHE5,VHU,VXD
	17231-ZL8-010	.....	1	-	-	-	-	-----	PXU,QHA2,QHE4,VHA,VXJ
	17231-ZL8-010	.....	1	-	-	-	-	1283788	PXC,QHC1,SHJ1,VHC,WXJ
	17231-ZL8-020	.....	1	-	-	-	-	1283789	PHA,PXC,QFC,QFJ,QHA,QHA1,QHC,QHC1,QHE,QHEB,QHEP,QHE1,QHE2,QHE3,QHE5,QHP7,QHU,SHE,SHE1,SHE6,SHJ,SHJ1,SHJ4,VHC,VHE,VHJ,VXA,VXC,VXE,VXU,WHE,WHJ,WKT2,WME1,WME2,WXE,WXJ
	17231-ZL8-020	.....	1	-	-	-	-	1283789	QFC,QHC
	17231-ZL8-020	.....	-	1	1	-	-	-----	PHA,PXC,QFC,QFJ,QHA,QHA1,QHC,QHC1,QHE,QHEB,QHEP,QHE1,QHE2,QHE3,QHE5,QHP7,QHU,SHE,SHE1,SHE6,SHJ,SHJ1,SHJ4,VHC,VHE,VHJ,VXA,VXC,VXE,VXU,WHE,WHJ,WKT2,WME1,WME2,WXE,WXJ
	17231-ZL8-020	.....	-	1	1	-	-	-----	QHE4,QHE5,QHM,QHP7,QIU,SIE,SIE1,SIE6,SIJ,VIE,VIJ,VX,VXA,VXC,VXE,VXJ,VXU,WHE,WHJ,WKT2,WME1,WME2,WXE
	17231-ZL8-020	.....	-	1	1	-	-	-----	PHA,QFC,QHAJ,QHC,VHA
	17231-ZL8-020	.....	-	1	1	-	-	-----	DHAF,PHA2,PHA,QDE,QHAF,QHAJ,VHA
	17231-ZL8-020	.....	-	1	1	-	-	-----	ME2,QFJ,QHP7,SHJ,SHJ1,SHJ4,WHJ,WKT2
	17231-ZL8-020	.....	-	1	1	-	-	-----	QHE,QHEB,QHEP,QHE1,QHE2,QHE5,QHU,SHE,SHE1,SHE6,VXE,VXU
6	90003-ZL8-000	BOLT, FLANGE, 6X112(CT200)	2	-	-	2	-	-----	PHA,PHC,PHD,PHU,PXA,PXC,PXD,PXU,QFC,QFJ,QHA,QHA1,QHA2,QHC,QHC1,QHE,QHEB,QHEP,QHE1,QHE2,QHE3,QHE4,QHE5,QHP7,QHU,QHU1,SHE,SHE1,SHE2,SHE3,SHE4,SHE5,SHE6,SHJ,SHJ1,SHJ4,VHA,VHC,VHE,VHJ,VHU,VXA,VXC,VXD,VXE,VXJ,VXU,WHE,WHJ,WKT2,WME1,WME2,WXE,WXJ
			-	2	2	-	2	-----	

2

E-15-1

AIR CLEANER(2)

E 2



Service item	F.R.T.
CASE ASSY., AIR CLEANER	0.1
ELEMENT, AIR CLEANER	
PACKING, AIR CLEANER	

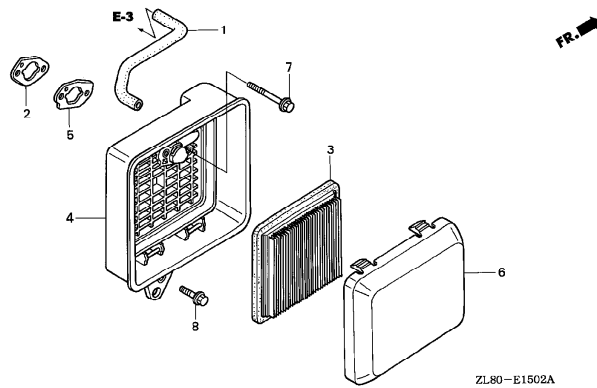
Ref. No.	Part No.	Description	Reqd QTY					Serial No.	Parts catalogue code
			GC 135	GC 160	GC 160A	GC 135E	GC 160E		
1	16220-ZL9-V40	SPACER, CARBURETOR	1	-	-	-	-	VXP4	
2	17211-ZL8-003	ELEMENT, AIR CLEANER	1	-	-	-	-	VXP4	
3	17220-ZL9-V40	CASE ASSY., AIR CLEANER	1	-	-	-	-	VXP4	
4	17228-ZL8-000	PACKING, AIR CLEANER	1	-	-	-	-	VXP4	
5	17231-ZM0-020	COVER, AIR CLEANER	1	-	-	-	-	VXP4	
6	90013-ZE7-000	BOLT, STUD, 6X82	2	-	-	-	-	VXP4	
7	94050-06000	NUT, FLANGE, 6MM	2	-	-	-	-	VXP4	

2

E-15-2

AIR CLEANER(3)

E 3



Service item	F.R.T.
CASE ASSY., AIR CLEANER	0.1
ELEMENT, AIR CLEANER	0.2
PACKING, AIR CLEANER	0.2
TUBE, BREATHER	

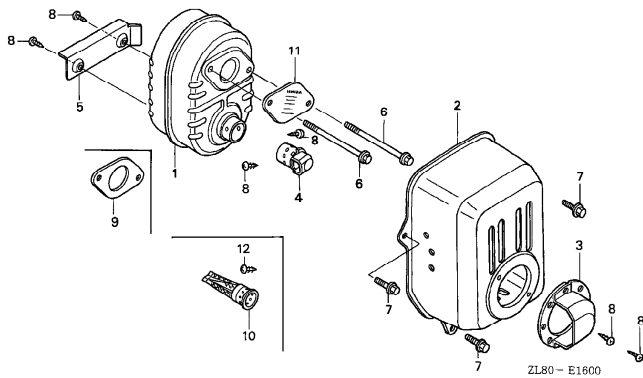
Ref. No.	Part No.	Description	Reqd QTY					Serial No.	Parts catalogue code
			GC 135	GC 160	GC 160A	GC 135E	GC 160E		
1	15721-ZL9-V50	TUBE, BREATHER	1	-	-	1	-	-	VXP5
2	16220-ZL9-V40	SPACER, CARBURETOR	1	-	-	1	-	-	VXP5
3	17211-ZL8-003	ELEMENT, AIR CLEANER	1	-	-	-	-	-	VXP5
	17211-ZL8-013	.....	-	-	-	1	-	-	VXP5
4	17220-ZL9-V50	CASE ASSY., AIR CLEANER	1	-	-	1	-	-	VXP5
5	17228-ZM0-000	PACKING, AIR CLEANER	1	-	-	1	-	-	VXP5
6	17231-ZM0-010	COVER, AIR CLEANER	1	-	-	-	-	1300543	VXP5
	17231-ZM0-020	.....	1	-	-	-	-	1300544	VXP5
	17231-Z0L-020	.....	-	-	-	1	-	-	VXP5
7	90003-ZM0-000	BOLT, FLANGE, 6X86 (CT200)	2	-	-	2	-	-	VXP5
8	90014-ZE6-000	BOLT, FLANGE, 6X35	1	-	-	1	-	-	VXP5

2

E-16

MUFFLER

E 4



Service item	F.R.T.
PROTECTOR, MUFFLER	0.1
ARRESTER COMP., SPARK	0.2
DEFLECTOR COMP., MUFFLER	
GASKET, MUFFLER	
MUFFLER COMP.	

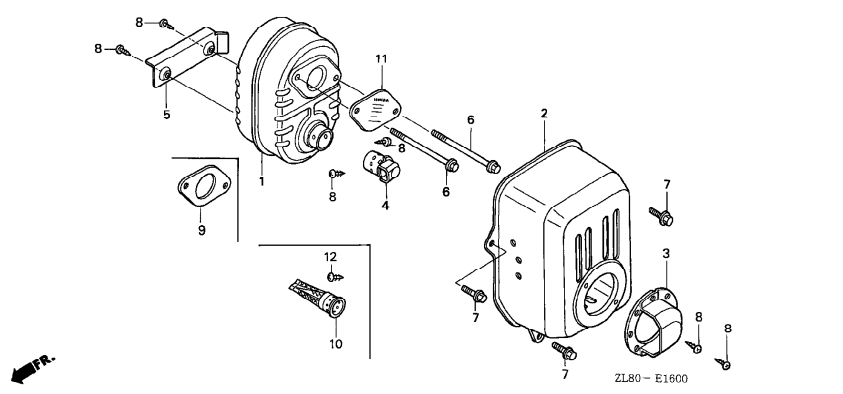
Ref. No.	Part No.	Description	Reqd QTY					Serial No.	Parts catalogue code
			GC 135	GC 160	GC 160A	GC 135E	GC 160E		
1	18310-ZL9-000	MUFFLER COMP. ....	1	-	-	1	-		
	18310-ZL8-010	.....	-	1	1	-	1		
2	18321-ZL8-A00	PROTECTOR, MUFFLER (BLACK) ..	1	1	1	1	1	----- QHEB	
	18321-ZL8-000	PROTECTOR, MUFFLER	1	1	1	1	1	----- DHAJ, MHA2, PHA, PHC, PHD, PHU, PXA, PXC, PXD, PXU, QBC, QFC, QFJ, QHA, QHA1, QHA2, QHC, QHC1, QHE, QHEP, QHET, QHE1, QHE2, QHE3, QHE4, QHE5, QHM, QHP7, QHU, QHU1, SHE, SHE1, SHE2, SHE3, SHE4, SHE5, SHE6, SHJ, SHJ1, SHJ4, VHA, VHC, VHE, VHJ, VHU, VX, VXA, VXC, VXD, VXE, VXJ, VXU, WHE, WHJ, WKT2, WME1, WME2, WXE, WXJ	
	18321-Z0L-000	.....	-	-	1	-	-	----- MEA2, QDE	
3	18348-ZL8-000	CAP, MUFFLER	1	1	1	1	1	----- QDE, QHEP, QHET, QHE2, QHE3, QHE4, QHE5, QHM, QHP7, SHE3, SHE4, SHE5, SHE6	
	18348-ZL8-800	CAP, MUFFLER (BLACK)	1	1	1	1	1	----- QHEB	
4	18430-ZL8-000	DEFLECTOR COMP., MUFFLER	1	1	1	1	1	----- QDE, QHEB, QHEP, QHET, QHE2, QHE3, QHE4, QHE5, QHM, QHP7, SHE3, SHE4, SHE5, SHE6, SHJ4	
5	19664-ZL8-000	SHROUD, MUFFLER	1	1	1	1	1		
6	90004-ZL8-000	BOLT, FLANGE, 6X79(CT200)	2	2	2	2	2		
7	90013-883-000	BOLT, FLANGE, 6X12(CT200)	3	-	-	3	-	----- PHA, PHC, PHD, PHU, PXA, PXC, PXD, PXU, QFC, QFJ, QHA, QHA1, QHA2, QHC, QHC1, QHE, QHEB, QHEP, QHE1, QHE2, QHE3, QHE4, QHE5, QHP7, QHU, QHU1, SHE, SHE1, SHE2, SHE3, SHE4, SHE5, SHE6, SHJ, SHJ1, SHJ4, VHA, VHC, VHE, VHJ, VHU, VXA, VXC, VXD, VXE, VXJ, VXU, WHE, WHJ, WKT2, WME1, WME2, WXE, WXJ	
			-	3	3	-	3		



E-16

MUFFLER

E 5



2

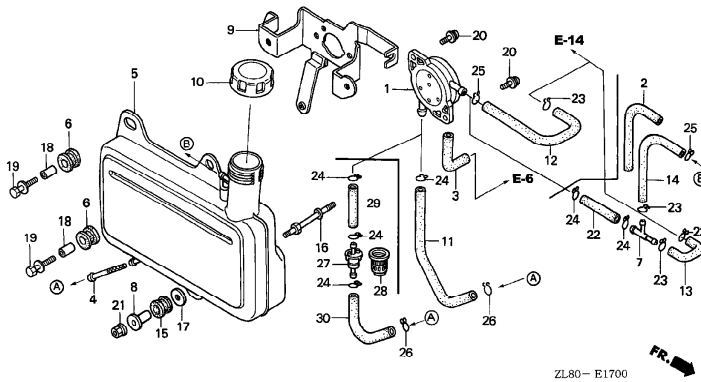
Ref. No.	Part No.	Description	Reqd QTY					Serial No.	Parts catalogue code
			GC 135	GC 160	GC 160A	GC 135E	GC 160E		
8	90055-ZE1-000	SCREW, TAPPING, 4X6 .....	2	2	2	2	2	-----	DHAF, MEA2, MHA2, PHA, PHC, PHD, PHU, PXA, PXC, PXD, PXU, QBC, QFC, QFJ, QHA, QHAF, QHAJ, QHA1, QHA2, QHC, QHC1, QHE, QHE1, QHU, QHU1, SHE, SHE1, SHE2, SHJ, SHJ1, VHA, VHC, VHE, VHJ, VHU, VX, VXA, VXC, VXD, VXE, VXJ, VXP4, VXP5, VXU, WHE, WHJ, WKT2, WME1, WME2, WXE, WXJ, SHJ4, QDE, QHEB, QHEP, QHET, QHE2, QHE3, QHE4, QHE5, QHM, QHP7, SHE3, SHE4, SHE5, SHE6
9	18381-ZL8-305	GASKET, MUFFLER .....	(1)	(1)	(1)	(1)	(1)	-----	QHAJ, VHA, VXA, VXP5, WME2
10	18350-ZL8-000	ARRESTER COMP., SPARK .....	(1)	(1)	(1)	(1)	(1)	-----	DHAF, MEA2, MHA2, PHA, QBC, QDE, QFC, QHA, QHAF, QHA1, QHC, VXC, WKT2
11	18356-ZL8-000	PLATE, ARRESTER NUMBER .....	1	1	1	-	1	-----	PXC, QHC1, VHC, QHA2
12	90055-ZE1-000	SCREW, TAPPING, 4X6 .....	1	1	1	1	1	-----	QHAJ, VHA, VXA, VXP5, WME2
			(1)	(1)	(1)	(1)	(1)	-----	DHAF, MEA2, MHA2, PHA, QBC, QDE, QFC, QHA, QHAF, QHA1, QHC, VXC, WKT2
			(1)	-	-	-	-	-----	PXC, QHC1, VHC, QHA2



E-17

FUEL TANK/FUEL PUMP

E 6



Service item	F.R.T.
TUBE, DIAPHRAGM	0.1
.TUBE, FUEL	
.TUBE, FUEL RETURN	
.TUBE, FUEL TANK	
.TUBE, FUEL, 5.3X33	
BOLT, FUEL TANK STUD	0.2
.PUMP ASSY., FUEL	
.STRAINER COMP., FUEL	
.STRAINER, FUEL	
.TANK, FUEL	
.TUBE, FUEL PUMP	
STAY A, FUEL TANK	0.3

Ref. No.	Part No.	Description	Reqd QTY					Serial No.	Parts catalogue code
			GC 135	GC 160	GC 160A	GC 135E	GC 160E		
1	16700-ZL8-003	PUMP ASSY., FUEL	1	1	-	-	-	PHC, PHD, PHU, PXA, PXD, QHU1, SHE2, SHE3, SHE4, VXD	
			1	-	-	-	-	PXU, QHA2, QHE4, VXJ	
			1	-	-	-	-	1257082 PHA, PXC, QFC, QFJ, QHA, QHA1, QHC, QHC1, QHE, QHEB, QHEP, QHE1, QHE2, QHE3, QHE5, QHU, SHE, SHE1, SHE5, SHE6, SHJ, SHJ1, SHJ4, VHA, VHC, VHE, VHJ, VHU, VXA, VXC, VXE, VXP5, VXU, WHE, WHJ, WKT2, WME1, WME2, WXE, WXJ	
			-	1	-	-	-	1825178 PXC, QHC1, SHE5, SHJ1, VHC, VHU, WXJ	
16700-ZL8-013	PUMP ASSY., FUEL	1	1	-	-	-	1257083 PHA, PXC, QFC, QFJ, QHA, QHA1, QHC, QHC1, QHE, QHEB, QHEP, QHE1, QHE2, QHE3, QHE5, QHU, SHE, SHE1, SHE5, SHE6, SHJ, SHJ1, SHJ4, VHA, VHC, VHE, VHJ, VHU, VXA, VXC, VXE, VXP5, VXU, WHE, WHJ, WKT2, WME1, WME2, WXE, WXJ		
		1	-	-	-	-	1825179 PHA, PXC, QFC, QFJ, QHA, QHA1, QHC, QHC1, QHE, QHEB, QHEP, QHE1, QHE2, QHE3, QHE5, QHE4, QHE5, QHM, QHU, SHE, SHE1, SHE6, SHJ, VHA, VHE, VHJ, VX, VXA, VXC, VXE, VXJ, VXU, WHE, WHJ, WKT2, WME1, WME2, WXE		
		-	-	1	-	1	QFJ, QHE, QHEB, QHEP, QHE1, QHE2, QHE5, QHU, SHE, SHE1, SHE6, SHJ, SHJ1, SHJ4, VXE, VXU, WHJ, WKT2		
		-	-	-	1	-	1003781 QHEP, QHE4, QHE5, SHE2, SHE5, SHE6		
2	16854-ZH8-000	RUBBER, SUPPORTER (107MM)	1	-	-	-	-	ME2, MHA2, QHA2, QHED, QHEP, QHET, QHE4, QHE5, QHM, QHP7, SHE5, SHE6	
			1	-	-	-	-	1003782 QHA2, QHEB, QHP7	
16854-ZL9-800	RUBBER, SUPPORTER	1	-	-	-	-	QHEP, QHE4, QHE5, SHE2, SHE5, SHE6		
		-	-	-	1	-	QHEP, QHE5, SHE6		



E-17

FUEL TANK/FUEL PUMP

E 7

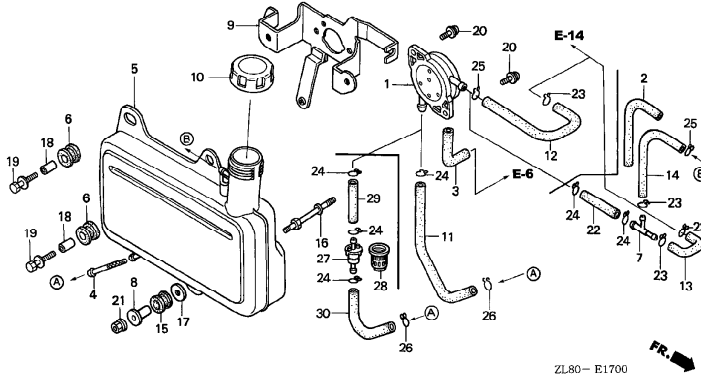
Ref. No.	Part No.	Description	Reqd. QTY					Serial No.	Parts catalogue code
			GC 135	GC 160	GC 160A	GC 139E	GC 160E		
3	16882-ZL9-000	TUBE, DIAPHRAGM .....	1	-	-	1	-	-----	PHA,PHC,PHD,PHU,PXA,PXC,PXD,PXU,QFC,QFJ,QHA,QHA1,QHA2,QHC,QHC1,QHE,QHEB,QHEP,QHET,QHE2,QHE3,QHE4,QHE5,QHP7,QHU,QHU1,SHE,SHE1,SHE2,SHE3,SHE4,SHE5,SHE6,SHJ,SHJ1,SHJ4,VHA,VHC,VHE,VHJ,VHU,VX,VXA,VXC,VXD,VXE,VXJ,VXU,WHE,WHJ,WKT2,WME1,WME2,WXE,WXJ
	16882-ZL8-000	.....	1	-	-	-	-	-----	VXP5
4	16952-ZA8-800	STRAINER, FUEL .....	1	1	1	1	1	-----	DHAF,PHA,PHC,PHD,PHU,PXA,PXC,PXD,PXU,QBC,QDE,QFC,QFJ,QHA,QHAF,QHA1,QHC,QHC1,QHE,QHE1,QHE2,QHE3,QHU,QHU1,SHE,SHE1,SHE3,SHE4,SHJ,SHJ1,SHJ4,VHA,VHC,VHE,VHJ,VHU,VX,VXA,VXC,VXD,VXE,VXJ,VXU,WHE,WHJ,WKT2,WME1,WME2,WXE,WXJ
5	17511-ZL9-000	TANK, FUEL .....	1	-	-	1	-	-----	PHA,PHC,PHD,PHU,PXA,PXC,PXD,PXU,QFC,QFJ,QHA,QHA1,QHC,QHC1,QHE,QHE1,QHE2,QHE3,QHU,QHU1,SHE,SHE1,SHE3,SHE4,SHJ,SHJ1,SHJ4,VHA,VHC,VHE,VHJ,VHU,VXA,VXC,VXD,VXE,VXJ,VXU,WHE,WHJ,WKT2,WME1,WME2,WXE,WXJ
	17511-ZL9-800	.....	1	-	-	1	-	-----	QHA2,QHEB,QHEP,QHE4,QHE5,QHP7,SHE2,SHE5,SHE6
	17511-ZL8-000	.....	-	1	1	-	1	-----	DHAF,PHA,PHC,PHD,PHU,PXA,PXC,PXD,PXU,QBC,QDE,QFC,QHA,QHAF,QHA1,QHC,QHC1,QHE,QHE1,QHE2,QHE3,QHU,QHU1,SHE,SHE1,SHE3,SHE4,SHJ,SHJ1,VHA,VHC,VHE,VHJ,VHU,VX,VXA,VXC,VXE,VXJ,VXU,WHE,WHJ,WKT2,WME1,WME2,WXE,WXJ
	17511-ZL8-800	.....	-	1	1	-	1	-----	MEA2,MHA2,QHA2,QHEB,QHEP,QHET,QHE4,QHE5,QHM,QHP7,SHE5,SHE6
6	17516-ZV0-000	RUBBER B, TANK MOUNTING .....	2	2	2	2	-	-----	DHAF,MEA2,MHA2,PHA,PHC,PHD,PHU,PXA,PXC,PXD,PXU,QBC,QDE,QFC,QFJ,QHA,QHAF,QHA1,QHA2,QHC,QHC1,QHE,QHEB,QHEP,QHET,QHE1,QHE2,QHE3,QHE4,QHE5,QHM,QHP7,QHU,QHU1,SHE,SHE1,SHE2,SHE3,SHE4,SHE5,SHE6,SHJ,SHJ1,SHJ4,VHA,VHC,VHE,VHJ,VHU,VX,VXA,VXC,VXD,VXE,VXJ,VXU,WHE,WHJ,WKT2,WME1,WME2,WXE,WXJ
7	17519-ZL8-800	JOINT, FUEL TUBE .....	1	1	1	1	1	-----	MEA2,MHA2,QHA2,QHEB,QHEP,QHET,QHE4,QHE5,QHM,QHP7,SHE2,SHE5,SHE6
8	17535-166-000	COLLAR, FR. COVER SETTING ...	1	1	1	1	-	-----	DHAF,MEA2,MHA2,PHA,PHC,PHD,PHU,PXA,PXC,PXD,PXU,QBC,QDE,QFC,QFJ,QHA,QHAF,QHA1,QHA2,QHC,QHC1,QHE,QHEB,QHEP,QHET,QHE1,QHE2,QHE3,QHE4,QHE5,QHM,QHP7,QHU,QHU1,SHE,SHE1,SHE2,SHE3,SHE4,SHE5,SHE6,SHJ,SHJ1,SHJ4,VHA,VHC,VHE,VHJ,VHU,VX,VXA,VXC,VXD,VXE,VXJ,VXU,WHE,WHJ,WKT2,WME1,WME2,WXE,WXJ
9	17561-ZL9-000	STAY A, FUEL TANK .....	1	-	-	1	-	-----	PHA,PHC,PHD,PHU,PXA,PXC,PXD,PXU,QFC,QFJ,QHA,QHA1,QHA2,QHC,QHC1,QHE,QHEB,QHEP,QHET,QHE2,QHE3,QHE4,QHE5,QHP7,QHU,QHU1,SHE,SHE1,SHE2,SHE3,SHE4,SHE5,SHE6,SHJ,SHJ1,SHJ4,VHA,VHC,VHE,VHJ,VHU,VX,VXA,VXC,VXD,VXE,VXJ,VXU,WHE,WHJ,WKT2,WME1,WME2,WXE,WXJ
	17561-ZL8-000	.....	-	1	1	-	1	-----	1176146 PHA,PHC,PHD,PHU,PXA,PXC,PXD,PXU,QHA,QHA1,QHA2,QHC,QHC1,QHE,QHEB,QHEP,QHE1,QHE2,QHE3,QHE4,QHE5,QHU,QHU1,SHE,SHE1,SHE2,SHE3,SHE4,SHE5,SHE6,SHJ,SHJ1,VHA,VHC,VHE,VHJ,VHU,VXA,VXC,VXD,VXE,VXJ,VXU,WHE,WHJ,WKT2,WME1,WME2,WXE,WXJ
10	17620-ZL8-003	CAP ASSY., FUEL TANK .....	1	-	-	-	-	-----	1709716 PHA,PHC,PHD,PHU,PXA,PXC,PXD,PXU,QBC,QFC,QHA,QHA1,QHA2,QHC,QHC1,QHE,QHEB,QHEP,QHET,QHE1,QHE2,QHE3,QHE4,QHE5,QHM,QHU,QHU1,SHE,SHE1,SHE3,SHE4,SHE5,SHE6,SHJ,SHJ1,VHA,VHC,VHE,VHJ,VHU,VX,VXA,VXC,VXE,VXJ,VXU,WHE,WHJ,WKT2,WME1,WME2,WXE,WXJ

2

E-17

FUEL TANK/FUEL PUMP

E 8



Ref. No.	Part No.	Description	Reqd QTY						Serial No.	Parts catalogue code	
			GC 135	GC 160	GC 160A	GC 135E	GC 160E				
10)	17620-ZL8-013	CAP ASSY., FUEL TANK	1	1	-	1	-	-	-----	QHP7	
			1	-	1	1	-	-	1176147	DHAF, MEA2, MHA2, QBC, QDE, QFC, QFJ, QHAF, QHET, SHJ4	
			1	-	-	-	-	-	-	1176147	PHA, PHC, PHD, PHU, PXA, PXC, PXD, PXU, QHA, QHA1, QHA2, QHC, QHC1, QHE, QHEB, QHEP, QHE1, QHE2, QHE3, QHE4, QHE5, QHU, QHU1, SHE, SHE1, SHE2, SHE3, SHE4, SHE5, SHE6, SHJ, SHJ1, VHA, VHC, VHE, VHJ, VHU, VXA, VXC, VXD, VXE, VXJ, VXU, WHE, WHJ, WKT2, WME1, WME2, WXE, WXJ
			-	1	-	-	-	-	-	1709717	PHA, PHC, PHD, PHU, PXA, PXC, PXD, PXU, QBC, QFC, QHA, QHA1, QHA2, QHC, QHC1, QHE, QHEB, QHEP, QHET, QHE1, QHE2, QHE3, QHE4, QHE5, QHM, QHU, QHU1, SHE, SHE1, SHE3, SHE4, SHE5, SHE6, SHJ, SHJ1, VHA, VHC, VHE, VHJ, VHU, VX, VXA, VXC, VXE, VXJ, VXU, WHE, WHJ, WKT2, WME1, WME2, WXE, WXJ
			-	-	1	1	-	-	-	-	-
11	17701-ZL8-000	TUBE, FUEL TANK	1	1	1	1	1	-----	DHAF, PHA, PHC, PHD, PHU, PXA, PXC, PXD, PXU, QBC, QDE, QFC, QFJ, QHA, QHAF, QHA1, QHC, QHC1, QHE, QHE1, QHE2, QHE3, QHU, QHU1, SHE, SHE1, SHE3, SHE4, SHJ, SHJ1, SHJ4, VHA, VHC, VHE, VHJ, VHU, VX, VXA, VXC, VXD, VXE, VXJ, VXU, WHE, WHJ, WKT2, WME1, WME2, WXE, WXJ		
12	17702-ZL8-000	TUBE, FUEL	1	1	1	1	1	-----	DHAF, PHA, PHC, PHD, PHU, PXA, PXC, PXD, PXU, QBC, QDE, QFC, QFJ, QHA, QHAF, QHA1, QHC, QHC1, QHE, QHE1, QHE2, QHE3, QHU, QHU1, SHE, SHE1, SHE3, SHE4, SHJ, SHJ1, SHJ4, VHA, VHC, VHE, VHJ, VHU, VX, VXA, VXC, VXD, VXE, VXJ, VXU, WHE, WHJ, WKT2, WME1, WME2, WXE, WXJ		
13	17702-ZL8-800	TUBE, FUEL	1	1	1	1	1	-----	MEA2, MHA2, QHA2, QHEB, QHEP, QHET, QHE4, QHE5, QHM, QHP7, SHE2, SHE5, SHE6		
14	17703-ZL9-800	TUBE, FUEL RETURN	1	-	-	-	-	-----	1003781	QHEP, QHE4, QHE5, SHE2, SHE5, SHE6	
	17703-ZL9-801		1	-	-	-	-	-----	1003782	QHA2, QHEB, QHP7	
	17703-ZL8-800		-	-	1	-	-	-----	-----	QHEP, QHE4, QHE5, SHE2, SHE5, SHE6	
			-	1	1	-	1	-----	-----	QHEP, QHE5, SHE6	
			-	1	1	-	1	-----	-----	MEA2, MHA2, QHA2, QHEB, QHEP, QHET, QHE4, QHE5, QHM, QHP7, SHE5, SHE6	

56



E-17

FUEL TANK/FUEL PUMP

E 9

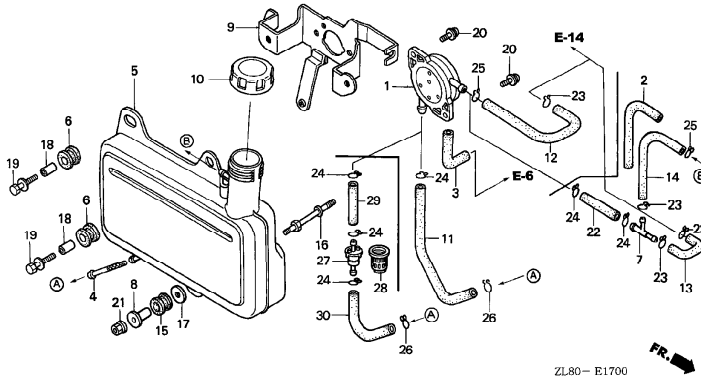
Ref. No.	Part No.	Description	Reqd. QTY					Serial No.	Parts catalogue code
			GC 135	GC 160	GC 160A	GC 135E	GC 160E		
15	80103-MG2-000	CUSHION, RR. FENDER	1	1	1	1	-	DHAF, MEA2, MHA2, PHA, PHC, PHD, PHU, PXA, PXC, PXD, PXU, QBC, QDE, QFC, QFJ, QHA, QHAF, QHA1, QHA2, QHC, QHC1, QHE, QHEB, QHEP, QHET, QHE1, QHE2, QHE3, QHE4, QHE5, QHM, QHP7, QHU, QHU1, SHE, SHE1, SHE2, SHE3, SHE4, SHE5, SHE6, SHJ, SHJ1, SHJ4, VHA, VHC, VHE, VHJ, VHU, VX, VXA, VXC, VXD, VXE, VXJ, VXU, WHE, WHJ, WKT2, WME1, WME2, WXE, WXJ	
			-	-	-	-	1		
16	90041-ZL8-000	BOLT, FUEL TANK STUD	1	1	1	1	-	DHAF, MEA2, MHA2, PHA, PHC, PHD, PHU, PXA, PXC, PXD, PXU, QBC, QDE, QFC, QFJ, QHA, QHAF, QHA1, QHA2, QHC, QHC1, QHE, QHEB, QHEP, QHET, QHE1, QHE2, QHE3, QHE4, QHE5, QHM, QHP7, QHU, QHU1, SHE, SHE1, SHE2, SHE3, SHE4, SHE5, SHE6, SHJ, SHJ1, SHJ4, VHA, VHC, VHE, VHJ, VHU, VX, VXA, VXC, VXD, VXE, VXJ, VXU, WHE, WHJ, WKT2, WME1, WME2, WXE, WXJ	
			-	-	-	-	1		
17	90473-896-000	WASHER, 6MM	1	1	1	1	-	DHAF, MEA2, MHA2, PHA, PHC, PHD, PHU, PXA, PXC, PXD, PXU, QBC, QDE, QFC, QFJ, QHA, QHAF, QHA1, QHA2, QHC, QHC1, QHE, QHEB, QHEP, QHET, QHE1, QHE2, QHE3, QHE4, QHE5, QHM, QHP7, QHU, QHU1, SHE, SHE1, SHE2, SHE3, SHE4, SHE5, SHE6, SHJ, SHJ1, SHJ4, VHA, VHC, VHE, VHJ, VHU, VX, VXA, VXC, VXD, VXE, VXJ, VXU, WHE, WHJ, WKT2, WME1, WME2, WXE, WXJ	
			-	-	-	-	1		
18	90501-KA2-640	COLLAR, 14X6.1	2	2	2	2	-	DHAF, MEA2, MHA2, PHA, PHC, PHD, PHU, PXA, PXC, PXD, PXU, QBC, QDE, QFC, QFJ, QHA, QHAF, QHA1, QHA2, QHC, QHC1, QHE, QHEB, QHEP, QHET, QHE1, QHE2, QHE3, QHE4, QHE5, QHM, QHP7, QHU, QHU1, SHE, SHE1, SHE2, SHE3, SHE4, SHE5, SHE6, SHJ, SHJ1, SHJ4, VHA, VHC, VHE, VHJ, VHU, VX, VXA, VXC, VXD, VXE, VXJ, VXU, WHE, WHJ, WKT2, WME1, WME2, WXE, WXJ	
			-	-	-	-	2		
19	93404-06025-00	BOLT-WASHER, 6X25	2	2	2	2	-	DHAF, MEA2, MHA2, PHA, PHC, PHD, PHU, PXA, PXC, PXD, PXU, QBC, QDE, QFC, QFJ, QHA, QHAF, QHA1, QHA2, QHC, QHC1, QHE, QHEB, QHEP, QHET, QHE1, QHE2, QHE3, QHE4, QHE5, QHM, QHP7, QHU, QHU1, SHE, SHE1, SHE2, SHE3, SHE4, SHE5, SHE6, SHJ, SHJ1, SHJ4, VHA, VHC, VHE, VHJ, VHU, VX, VXA, VXC, VXD, VXE, VXJ, VXU, WHE, WHJ, WKT2, WME1, WME2, WXE, WXJ	
			-	-	-	-	2		
20	93894-05014-00	SCREW-WASHER, 5X14	2	-	-	-	2	PHA, PHC, PHD, PHU, PXA, PXC, PXD, PXU, QFC, QFJ, QHA, QHA1, QHA2, QHC, QHC1, QHE, QHEB, QHEP, QHE1, QHE2, QHE3, QHE4, QHE5, QHP7, QHU, QHU1, SHE, SHE1, SHE2, SHE3, SHE4, SHE5, SHE6, SHJ, SHJ1, SHJ4, VHA, VHC, VHE, VHJ, VHU, VX, VXA, VXC, VXD, VXE, VXJ, VXU, WHE, WHJ, WKT2, WME1, WME2, WXE, WXJ	
			2	-	-	-	-	1213955	
			-	2	2	-	2	VXP5	
21	94050-06000	NUT, FLANGE, 6MM	1	1	1	1	-	DHAF, MEA2, MHA2, PHA, PHC, PHD, PHU, PXA, PXC, PXD, PXU, QBC, QDE, QFC, QFJ, QHA, QHAF, QHA1, QHA2, QHC, QHC1, QHE, QHEB, QHEP, QHET, QHE1, QHE2, QHE3, QHE4, QHE5, QHM, QHP7, QHU, QHU1, SHE, SHE1, SHE2, SHE3, SHE4, SHE5, SHE6, SHJ, SHJ1, SHJ4, VHA, VHC, VHE, VHJ, VHU, VX, VXA, VXC, VXD, VXE, VXJ, VXU, WHE, WHJ, WKT2, WME1, WME2, WXE, WXJ	
			-	-	-	-	1		
22	95001-55033-40	TUBE, FUEL, 5.3X33 (95001-55001-60M)	1	1	1	1	1	MEA2, MHA2, QHA2, QHEB, QHEP, QHET, QHE4, QHE5, QHM, QHP7, SHE2, SHE5, SHE6	
23	95002-02080	CLIP, TUBE (B8)	1	1	1	1	1	DHAF, PHA, PHC, PHD, PHU, PXA, PXC, PXD, PXU, QBC, QDE, QFC, QFJ, QHA, QHAF, QHA1, QHC, QHC1, QHE, QHE1, QHE2, QHE3, QHU, QHU1, SHE, SHE1, SHE3, SHE4, SHJ, SHJ1, SHJ4, VHA, VHC, VHE, VHJ, VHU, VX, VXA, VXC, VXD, VXE, VXJ, VXU, WHE, WHJ, WKT2, WME1, WME2, WXE, WXJ	
			3	3	3	3	3	MEA2, MHA2, QHA2, QHEB, QHEP, QHET, QHE4, QHE5, QHM, QHP7, SHE2, SHE5, SHE6	

2

E-17

FUEL TANK/FUEL PUMP

E10



Ref. No.	Part No.	Description	Reqd QTY					Serial No.	Parts catalogue code
			GC 135	GC 160	GC 160A	GC 135E	GC 160E		
24	95002-02100	CLIP, TUBE (B10)	1	1	1	1	1	-----	DHAF, PHA, PHC, PHD, PHU, PXA, PXC, PXD, PXU, QBC, QDE, QFC, QFJ, QHA, QHAF, QHA1, QHC, QHC1, QHE, QHE1, QHE2, QHE3, QHU, QHU1, SHE, SHE1, SHE2, SHE3, SHE4, SHJ, SHJ1, SHJ4, VHA, VHC, VHE, VHJ, VHU, VX, VXA, VXC, VXD, VXE, VXJ, VXU, WHE, WHJ, WKT2, WME1, WME2, WXE, WXJ
				5	5	5	5	-----	ME2, MHA2, QHA2, QHEB, QHEP, QHET, QHE4, QHE5, QHM, QHP7, SHE2, SHE5, SHE6
25	95002-50000	CLIP, TUBE (C9)	1	-	-	1	-	-----	PHA, PHC, PHD, PHU, PXA, PXC, PXD, PXU, QFC, QFJ, QHA, QHA1, QHA2, QHC, QHC1, QHE, QHEB, QHEP, QHET, QHE1, QHE2, QHE3, QHE4, QHE5, QHP7, QHU, QHU1, SHE, SHE1, SHE2, SHE3, SHE4, SHE5, SHE6, SHJ, SHJ1, SHJ4, VHA, VHC, VHE, VHJ, VHU, VXA, VXC, VXD, VXE, VXJ, VXU, WHE, WHJ, WKT2, WME1, WME2, WXE, WXJ
26	95002-70000	CLIP, TUBE (C11)	1	1	1	1	-	-----	DHAF, ME2, MHA2, PHA, PHC, PHD, PHU, PXA, PXC, PXD, PXU, QBC, QDE, QFC, QFJ, QHA, QHAF, QHA1, QHA2, QHC, QHC1, QHE, QHEB, QHEP, QHET, QHE1, QHE2, QHE3, QHE4, QHE5, QHM, QHP7, QHU, QHU1, SHE, SHE1, SHE2, SHE3, SHE4, SHE5, SHE6, SHJ, SHJ1, SHJ4, VHA, VHC, VHE, VHJ, VHU, VX, VXA, VXC, VXD, VXE, VXJ, VXU, WHE, WHJ, WKT2, WME1, WME2, WXE, WXJ
27	16910-ZV4-015	STRAINER COMP., FUEL	-	-	-	-	1	-----	ME2, MHA2, QHAJ, QHA2, QHEB, QHEP, QHET, QHE4, QHE5, QHM, QHP7, SHE2, SHE5, SHE6
28	16915-ZV4-000	SUSPENSION, STRAINER	1	1	1	1	1	-----	ME2, MHA2, QHAJ, QHA2, QHEB, QHEP, QHET, QHE4, QHE5, QHM, QHP7, SHE2, SHE5, SHE6
29	17704-ZL8-800	TUBE, FUEL PUMP	1	1	1	1	1	-----	ME2, MHA2, QHAJ, QHA2, QHEB, QHEP, QHET, QHE4, QHE5, QHM, QHP7, SHE2, SHE5, SHE6
30	17701-ZL8-800	TUBE, FUEL TANK	1	1	1	1	1	-----	ME2, MHA2, QHA2, QHEB, QHEP, QHET, QHE4, QHE5, QHM, QHP7, SHE2, SHE5, SHE6

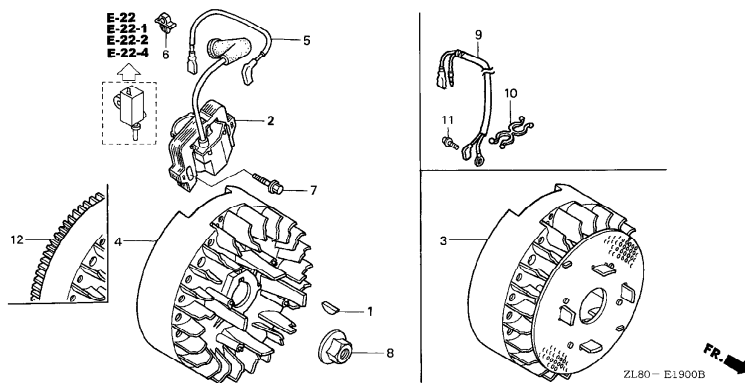
58



E-19

FLYWHEEL/IGNITION COIL

E11



Service item	F.R.T.
COIL ASSY., IGNITION .....	0.2
.CORD, STOP SWITCH .....	
FLYWHEEL ASSY. ....	0.3
.FLYWHEEL COMP. ....	

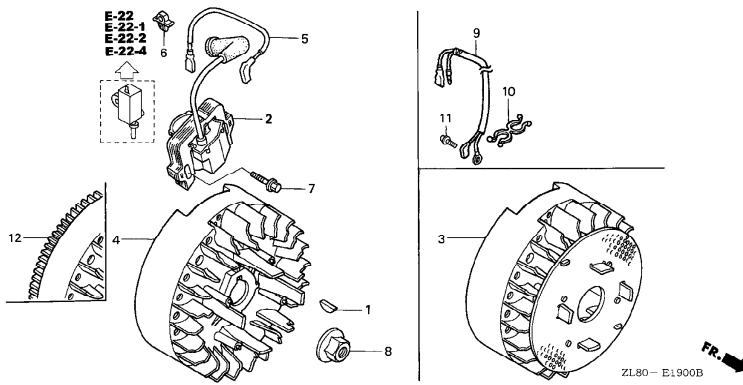
Ref. No.	Part No.	Description	Reqd QTY					Serial No.	Parts catalogue code
			GC 135	GC 160	GC 160A	GC 135E	GC 160E		
1	13331-357-000	KEY, SPECIAL WOODRUFF, 25X18	1	1	1	1	1		
2	30500-ZL8-004	COIL ASSY., IGNITION .....	1	1	-	1	1		
3	31105-ZL8-000	FLYWHEEL ASSY. ....	-	1	-	-	-	QHAJ	
	31105-ZM1-V20	.....	1	-	1	-	-	SHJ4	
	31105-Z0J-000	.....	-	1	-	-	-	QHAJ	
4	31110-ZL9-003	FLYWHEEL COMP. ....	1	-	1	-	-	PHA,PHC,PHD,PHU,PXA,PXC,PXD,PXU,QFC,QFJ,QHA,QHA1,QHA2,QHC,QHC1,QHE,QHEB,QHEP,QHET,QHE2,QHE3,QHE4,QHE5,QHP7,QUH,QUH1,SHE,SHE1,SHE2,SHE3,SHE4,SHE5,SHE6,SHJ,SHJ1,VHA,VHC,VHE,VHU,VXA,VXC,VXD,VXE,VXJ,VXP4,VXP5,VXU,WHE,WHJ,WKT2,WME1,WME2,WXE,WXJ	
	31110-ZL8-004	.....	-	1	-	-	-	PHA,PHC,PHD,PHU,PXA,PXC,PXD,PXU,QBC,QFC,QHA,QHA1,QHA2,QHC,QHC1,QHE,QHEB,QHEP,QHET,QHE1,QHE2,QHE3,QHE4,QHE5,QHM,QHP7,QUH,QUH1,SHE,SHE1,SHE3,SHE4,SHE5,SHE6,SHJ,SHJ1,VHA,VHC,VHE,VHU,VHU,VX,VXA,VXC,VXE,VXJ,VXU,WHE,WHJ,WKT2,WME1,WME2,WXE,WXJ	
	31110-Z0J-003	.....	-	-	1	-	1	DHAF,MHA2,PHA,PXU,QBC,QFC,QHA,QHAF,QHA1,QHA2,QHC,QHE,QHEB,QHEP,QHET,QHE1,QHE2,QHE4,QHE5,QUH,SHE,SHE1,SHE6,VHA,VXA,VXE,VXU	
	31110-Z0J-013	.....	-	-	1	-	-	QDE	
5	32195-ZL8-000	CORD, STOP SWITCH .....	1	1	1	1	1	PHC,PHD,PHU,QBC,QFC,QHA,QHA1,QHA2,QHC,QHE,QHEB,QHEP,QHET,QHE1,QHE2,QHE5,QUH,SHE,SHE1,SHJ,WHJ	
	32195-Z0J-000	.....	-	-	1	-	-	PHA,QFJ,QHAJ,QHC1,QHE3,QHM,QHP7,QUH1,SHE2,SHE3,SHE4,SHE5,SHJ1,SHJ4,VHA,VHC,VHE,VHJ,VHU,WHE,WME1	
		.....	-	-	1	-	-	ME2,MHA2,PHA,QDE,QHAJ,VHA	



E-19

FLYWHEEL/IGNITION COIL

E12

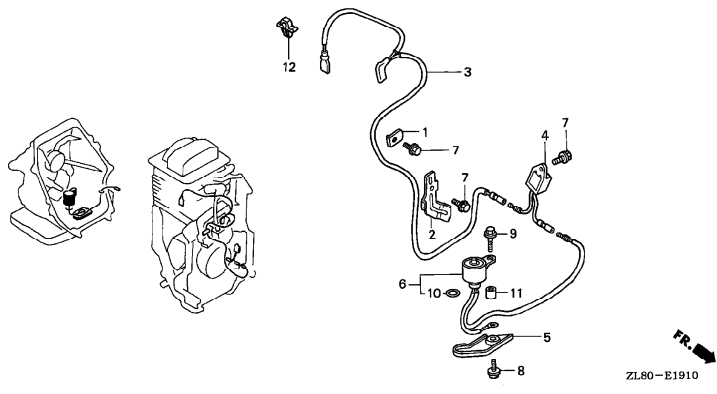


Ref. No.	Part No.	Description	Reqd QTY					Serial No.	Parts catalogue code
			GC 135	GC 160	GC 160A	GC 135E	GC 160E		
6	36103-ZE1-000	HOLDER, STOP SWITCH CORD ....	1	1	1	1	1	-----	MEA2, MHA2, PHA, PHC, PHD, PHU, PXA, PXC, PXD, QBC, QDE, QFC, QFJ, QHA, QHAJ, QHA1, QHA2, QHC, QHC1, QHE, QHEB, QHEP, QHET, QHET1, QHE2, QHE3, QHE5, QHM, QHP7, QHU, QHU1, SHE, SHE1, SHE2, SHE3, SHE4, SHE5, SHJ, SHJ1, SHJ4, VHA, VHC, VHE, VHJ, VHU, VX, VXC, VXD, VXJ, VXP4, WHE, WHJ, WME1, WME2, WXJ
	46391-VMO-003	CLIP, BRAKE PIPE (A) .....	1	1	1	1	1	-----	QHE4, SHE6
7	90022-888-010	BOLT, FLANGE, 6X20 (CT200) ...	1	1	1	1	1	-----	
8	90201-878-003	NUT, SPECIAL, 14MM .....	1	1	1	1	1	-----	
9	32195-ZL8-840	CORD, STOP SWITCH .....	1	1	1	1	1	-----	QHE4, SHE6
10	78419-SJ6-003	CLIP D, SPEEDOMETER CABLE .....	1	1	1	1	1	-----	QHE4, SHE6
11	93892-05008-00	SCREW-WASHER, 5X8 .....	1	1	1	1	1	-----	QHE4, SHE6
12	31110-ZOL-831	FLYWHEEL COMP. ....	-	-	1	-	-	-----	MEA2

E-19-10

OIL ALERT/OIL LEVEL SWITCH

E13



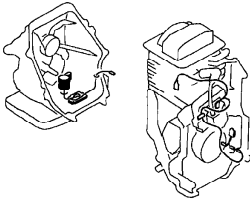
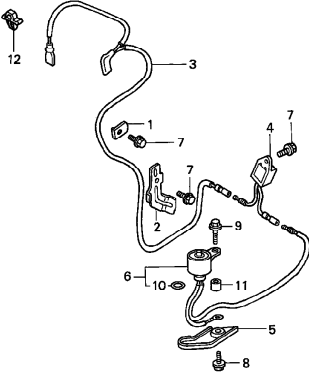
Service item	F.R.T.
ALERT UNIT, OIL .....	0.1
CORD, STOP SWITCH .....	0.2
O-RING, 11.8X2.4 .....	0.5
SWITCH COMP., OIL LEVEL	

Ref. No.	Part No.	Description	Reqd QTY					Serial No.	Parts catalogue code
			GC 135	GC 160	GC 160A	GC 135E	GC 160E		
1	30548-ZL8-000	CLAMPER, STOP SWITCH CORD ...	1	1	1	1	1	-----	PXA, PXC, PXD, PXU, VX, VXA, VXC, VXD, VXE, VXJ, VXP4, VXP5, VXU, WKT2, WME2, WXE, WXJ
2	30549-ZL8-000	CLAMPER, CORD .....	1	1	1	1	1	-----	PXA, PXC, PXD, PXU, VX, VXA, VXC, VXD, VXE, VXJ, VXP4, VXP5, VXU, WKT2, WME2, WXE, WXJ
3	32195-ZL8-810	CORD, STOP SWITCH .....	1	1	1	1	1	-----	PXA, PXC, PXD, PXU, VX, VXA, VXC, VXD, VXE, VXJ, VXP4, VXP5, VXU, WKT2, WME2, WXE, WXJ
4	34150-ZH7-003	ALERT UNIT, OIL .....	1	1	-	-	-	-----	VXP4, WKT2, WME2
			-	1	-	-	-	1015637	PXA, PXC, PXD, PXU, VXA, VXC, VXD, VXE, VXJ, VXU, WXE, WXJ
			-	1	-	-	-	1045125	PXA, PXC, PXD, PXU, VX, VXA, VXC, VXE, VXJ, VXU, WXE, WXJ
			-	1	-	-	-	-----	VXA
	34150-ZL8-003	.....	1	-	1	-	-	-----	VXP5
			-	-	1	1	-	-----	PXU, VXE, VXU, WKT2
			-	-	-	1	-	-----	VXA
5	35419-ZL8-000	PROTECTOR, SWITCH .....	1	1	1	1	1	-----	PXA, PXC, PXD, PXU, VX, VXA, VXC, VXD, VXE, VXJ, VXP4, VXP5, VXU, WKT2, WME2, WXE, WXJ
6	35480-ZL8-811	SWITCH COMP., OIL LEVEL .....	1	1	1	1	1	-----	PXA, PXC, PXD, PXU, VX, VXA, VXC, VXD, VXE, VXJ, VXP4, VXP5, VXU, WKT2, WME2, WXE, WXJ
7	90013-883-000	BOLT, FLANGE, 6X12(CI200) ...	2	-	-	-	-	1015636	PXA, PXC, PXD, PXU, VXA, VXC, VXD, VXE, VXJ, VXU, WXE, WXJ
			-	2	-	-	-	1045124	PXA, PXC, PXD, PXU, VX, VXA, VXC, VXE, VXJ, VXU, WXE, WXJ
			3	3	-	3	3	-----	VXP4, VXP5, WKT2, WME2
			3	-	-	-	-	1015637	PXA, PXC, PXD, PXU, VXA, VXC, VXD, VXE, VXJ, VXU, WXE, WXJ
			-	3	-	-	-	1045125	PXA, PXC, PXD, PXU, VX, VXA, VXC, VXE, VXJ, VXU, WXE, WXJ
			-	3	3	3	3	-----	PXU, VXA, VXE, VXU
8	90014-952-000	BOLT, FLANGE, 6X14(CI200) ...	1	1	1	1	1	-----	PXA, PXC, PXD, PXU, VX, VXA, VXC, VXD, VXE, VXJ, VXP4, VXP5, VXU, WKT2, WME2, WXE, WXJ
9	90015-883-000	BOLT, FLANGE, 6X28 .....	1	1	1	1	1	-----	PXA, PXC, PXD, PXU, VX, VXA, VXC, VXD, VXE, VXJ, VXP4, VXP5, VXU, WKT2, WME2, WXE, WXJ





**E-19-10**
**OIL ALERT/OIL LEVEL SWITCH**
**E14**

FR. →

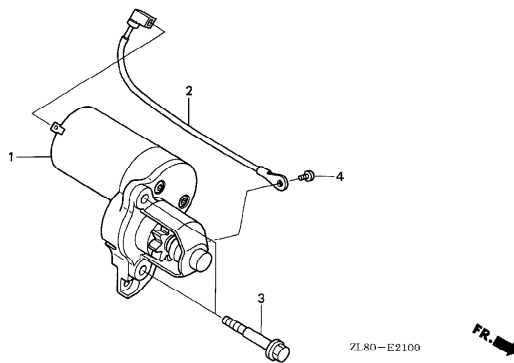
ZL80-E1910

Ref. No.	Part No.	Description	Reqd QTY					Serial No.	Parts catalogue code
			GC 135	GC 160	GC 160A	GC 135E	GC 160E		
10	91302-ZL8-003	O-RING, 11.8X2.4 .....	1	1	1	1	1	-----	PXA,PXC,PXD,PXU,VX,VXA,VXC,VXD,VXE,VXJ,VXP4,VXP5,VXU,WKT2 WMEZ,WXE,WXJ
11	91501-ZL8-000	COLLAR, 6.6X13.8X14.5 .....	1	1	1	1	1	-----	PXA,PXC,PXD,PXU,VX,VXA,VXC,VXD,VXE,VXJ,VXP4,VXP5,VXU,WKT2 WMEZ,WXE,WXJ
12	36103-ZE1-000	HOLDER, STOP SWITCH CORD ....	1	1	1	1	1	-----	PXU,VXA,VXE,VXP5,VXU,WKT2

E-21

STARTER MOTOR

E15



Service item	F.R.T.
CORD, TERMINAL EARTH .....	0.1
MOTOR ASSY., STARTING .....	0.2

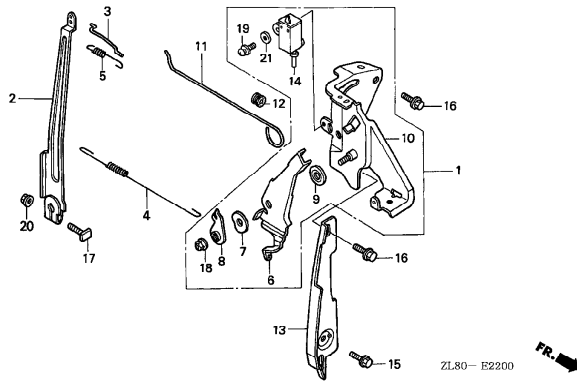
Ref. No.	Part No.	Description	Reqd QTY					Serial No.	Parts catalogue code
			GC 135	GC 160	GC 160A	GC 135E	GC 160E		
1	31200-ZOL-821	MOTOR ASSY., STARTING .....	-	-	1	-	-	-----	MEAZ
2	32222-ZOL-850	CORD, TERMINAL EARTH .....	-	-	1	-	-	-----	MEAZ
3	90001-ZOL-820	BOLT, SPECIAL, 6MM .....	-	-	2	-	-	-----	MEAZ
4	93500-05008-0A	SCREW, PAN, 5X8 .....	-	-	1	-	-	-----	MEAZ

2

E-22

CONTROL(1)

E16



Service item	F.R.T.
SWITCH ASSY., ENGINE STOP	0.1
ARM, GOVERNOR	0.2
.PLATE, SIDE	
.ROD, CHOKE CONTROL	
.ROD, GOVERNOR	
.SPRING, GOVERNOR	
.SPRING, THROTTLE RETURN	
CONTROL ASSY.	0.3
BASE COMP., CONTROL	0.4
.LEVER, CONTROL	

Ref. No.	Part No.	Description	Reqd QTY						Serial No.	Parts catalogue code
			GC 135	GC 160	GC 160A	GC 135E	GC 160E			
1	16500-ZL8-000	CONTROL ASSY.	1	1	1	1	1	-----	ME2,MHA2,PHA,PHC,PHD,PHU,PXA,PXC,PXD,PXU,QBC,QFC,QFJ,QHA,QHA2,QHC,QHE,QHE2,QHU,SHE,SHE2,SHE3,SHE5,SHJ,WHE,WHJ,WKT2,WME1,WME2,WXE,WXJ	
2	16551-ZL9-000	ARM, GOVERNOR	1	-	-	1	-	-----	PHA,PHC,PHD,PHU,PXA,PXC,PXD,PXU,QFC,QFJ,QHA,QHA2,QHC,QHE,QHE2,QHU,SHE,SHE2,SHE3,SHE5,SHJ,WHE,WHJ,WKT2,WME1,WME2,WXE,WXJ	
	16551-ZL8-000	.....	-	1	1	-	1	-----	ME2,MHA2,PHA,PHC,PHD,PHU,PXA,PXC,PXD,PXU,QBC,QFC,QHA,QHA2,QHC,QHE,QHE2,QHU,SHE,SHE3,SHE5,SHJ,WHE,WHJ,WKT2,WME1,WME2,WXE,WXJ	
3	16555-ZL8-000	ROD, GOVERNOR	1	1	1	1	1	-----	ME2,MHA2,PHA,PHC,PHD,PHU,PXA,PXC,PXD,PXU,QBC,QFC,QFJ,QHA,QHA2,QHC,QHE,QHE2,QHU,SHE,SHE2,SHE3,SHE5,SHJ,WHE,WHJ,WKT2,WME1,WME2,WXE,WXJ	
4	16561-ZL8-000	SPRING, GOVERNOR	1	1	1	1	1	-----	ME2,PHC,PHD,PHU,PXA,PXC,PXD,QFJ,SHE2,SHE3,SHE5,SHJ,WHE,WHJ,WKT2,WME1,WME2,WXE,WXJ	
	16561-ZL8-V50	.....	1	1	-	1	-	-----	QBC,QFC	
	16561-Z0J-000	.....	-	-	-	-	-	-----	MHA2,PHA,PXU,QHA,QHAJ,QHA2,QHC,QHE,QHE2,QHU,SHE	
5	16562-ZL8-000	SPRING, THROTTLE RETURN	1	-	-	-	-	1030440	PHA,PHC,PHD,PHU,PXA,PXC,PXD,PXU,QHA,QHA2,QHC,QHE,QHE2,QHU,SHE,SHE2,SHE3,SHE5,SHJ,WHE,WHJ,WXE,WXJ	
		.....	-	1	-	-	-	1077280	PHA,PHC,PHD,PHU,PXA,PXC,PXD,PXU,QHA,QHA2,QHC,QHE,QHE2,QHU,SHE,SHE3,SHE5,SHJ,WHE,WHJ,WXE,WXJ	
	16562-ZL8-800	.....	1	1	1	1	1	-----	ME2,MHA2,QBC,QFC,QFJ,WKT2,WME1,WME2	
		.....	1	-	-	-	-	1030441	PHA,PHC,PHD,PHU,PXA,PXC,PXD,PXU,QHA,QHA2,QHC,QHE,QHE2,QHU,SHE,SHE2,SHE3,SHE5,SHJ,WHE,WHJ,WXE,WXJ	
		.....	-	1	-	-	-	1077281	PHA,PHC,PHD,PHU,PXA,PXC,PXD,PXU,QHA,QHA2,QHC,QHE,QHE2,QHU,SHE,SHE3,SHE5,SHJ,WHE,WHJ,WXE,WXJ	
		.....	-	-	1	1	1	-----	PHA,PXU,QHA,QHA2,QHC,QHE,QHE2,QHU,SHE,SHJ,WHJ	



E-22

CONTROL(1)

F 1

Ref. No.	Part No.	Description	Reqd. QTY					Serial No.	Parts catalogue code
			GC 135	GC 160	GC 160A	GC 135E	GC 160E		
6	16571-ZL8-000	LEVER, CONTROL	1	1	1	1	1	-----	MEAZ,MHA2,PHA,PHC,PHD,PHU,PXA,PXC,PXD,PXU,QBC,QFC,QFJ,QHA QHA2,QHC,QHE,QHE2,QHU,SHE,SHE2,SHE3,SHE5,SHJ,WHE,WHJ,WKT2 WME1,WME2,WXE,WXJ
7	16574-ZE1-000	SPRING, LEVER	1	1	1	1	1	-----	MEAZ,MHA2,PHA,PHC,PHD,PHU,PXA,PXC,PXD,PXU,QBC,QFC,QFJ,QHA QHA2,QHC,QHE,QHE2,QHU,SHE,SHE2,SHE3,SHE5,SHJ,WHE,WHJ,WKT2 WME1,WME2,WXE,WXJ
8	16575-ZL8-000	WASHER, CONTROL LEVER	1	1	1	1	1	-----	MEAZ,MHA2,PHA,PHC,PHD,PHU,PXA,PXC,PXD,PXU,QBC,QFC,QFJ,QHA QHA2,QHC,QHE,QHE2,QHU,SHE,SHE2,SHE3,SHE5,SHJ,WHE,WHJ,WKT2 WME1,WME2,WXE,WXJ
9	16578-ZE1-000	SPACER, CONTROL LEVER	1	1	1	1	1	-----	MEAZ,MHA2,PHA,PHC,PHD,PHU,PXA,PXC,PXD,PXU,QBC,QFC,QFJ,QHA QHA2,QHC,QHE,QHE2,QHU,SHE,SHE2,SHE3,SHE5,SHJ,WHE,WHJ,WKT2 WME1,WME2,WXE,WXJ
10	16580-ZL8-000	BASE COMP., CONTROL	1	1	1	1	1	-----	MEAZ,MHA2,PHA,PHC,PHD,PHU,PXA,PXC,PXD,PXU,QBC,QFC,QFJ,QHA QHA2,QHC,QHE,QHE2,QHU,SHE,SHE2,SHE3,SHE5,SHJ,WHE,WHJ,WKT2 WME1,WME2,WXE,WXJ
11	16611-ZL8-000	ROD, CHOKE CONTROL	1	1	1	1	1	-----	MEAZ,MHA2,PHA,PHC,PHD,PHU,PXA,PXC,PXD,PXU,QBC,QFC,QFJ,QHA QHA2,QHC,QHE,QHE2,QHU,SHE,SHE2,SHE3,SHE5,SHJ,WHE,WHJ,WKT2 WME1,WME2,WXE,WXJ
12	16613-893-000	GROMMET, CHOKE ROD	1	1	1	1	1	-----	MEAZ,MHA2,PHA,PHC,PHD,PHU,PXA,PXC,PXD,PXU,QBC,QFC,QFJ,QHA QHA2,QHC,QHE,QHE2,QHU,SHE,SHE2,SHE3,SHE5,SHJ,WHE,WHJ,WKT2 WME1,WME2,WXE,WXJ
13	19612-ZL8-000	PLATE, SIDE	1	1	1	1	1	-----	MEAZ,MHA2,PHA,PHC,PHD,PHU,PXA,PXC,PXD,PXU,QBC,QFC,QFJ,QHA QHA2,QHC,QHE,QHE2,QHU,SHE,SHE2,SHE3,SHE5,SHJ,WHE,WHJ,WKT2 WME1,WME2,WXE,WXJ
14	35120-ZL8-003	SWITCH ASSY., ENGINE STOP (N.O)	1	1	1	1	1	-----	MEAZ,MHA2,PHA,PHC,PHD,PHU,PXA,PXC,PXD,PXU,QBC,QFC,QFJ,QHA QHA2,QHC,QHE,QHE2,QHU,SHE,SHE2,SHE3,SHE5,SHJ,WHE,WHJ,WKT2 WME1,WME2,WXE,WXJ
15	90013-883-000	BOLT, FLANGE, 6X14(CT200)	1	1	1	1	1	-----	MEAZ,MHA2,PHA,PHC,PHD,PHU,PXA,PXC,PXD,PXU,QBC,QFC,QFJ,QHA QHA2,QHC,QHE,QHE2,QHU,SHE,SHE2,SHE3,SHE5,SHJ,WHE,WHJ,WKT2 WME1,WME2,WXE,WXJ
16	90014-952-000	BOLT, FLANGE, 6X14(CT200)	2	2	2	2	2	-----	MEAZ,MHA2,PHA,PHC,PHD,PHU,PXA,PXC,PXD,PXU,QBC,QFC,QFJ,QHA QHA2,QHC,QHE,QHE2,QHU,SHE,SHE2,SHE3,SHE5,SHJ,WHE,WHJ,WKT2 WME1,WME2,WXE,WXJ
17	90015-ZE5-010	BOLT, GOVERNOR ARM	1	1	1	1	1	-----	MEAZ,MHA2,PHA,PHC,PHD,PHU,PXA,PXC,PXD,PXU,QBC,QFC,QFJ,QHA QHA2,QHC,QHE,QHE2,QHU,SHE,SHE2,SHE3,SHE5,SHJ,WHE,WHJ,WKT2 WME1,WME2,WXE,WXJ
18	90114-SA0-000	NUT, SELF-LOCK, 6MM	1	1	1	1	1	-----	MEAZ,MHA2,PHA,PHC,PHD,PHU,PXA,PXC,PXD,PXU,QBC,QFC,QFJ,QHA QHA2,QHC,QHE,QHE2,QHU,SHE,SHE2,SHE3,SHE5,SHJ,WHE,WHJ,WKT2 WME1,WME2,WXE,WXJ
19	93892-04012-00	SCREW-WASHER, 4X12	1	1	1	1	1	-----	MEAZ,MHA2,PHA,PHC,PHD,PHU,PXA,PXC,PXD,PXU,QBC,QFC,QFJ,QHA QHA2,QHC,QHE,QHE2,QHU,SHE,SHE2,SHE3,SHE5,SHJ,WHE,WHJ,WKT2 WME1,WME2,WXE,WXJ
20	94050-06000	NUT, FLANGE, 6MM	1	1	1	1	1	-----	MEAZ,MHA2,PHA,PHC,PHD,PHU,PXA,PXC,PXD,PXU,QBC,QFC,QFJ,QHA QHA2,QHC,QHE,QHE2,QHU,SHE,SHE2,SHE3,SHE5,SHJ,WHE,WHJ,WKT2 WME1,WME2,WXE,WXJ
21	94103-04000	WASHER, PLAIN, 4MM	1	1	1	1	1	-----	MEAZ,MHA2,PHA,PHC,PHD,PHU,PXA,PXC,PXD,PXU,QBC,QFC,QFJ,QHA QHA2,QHC,QHE,QHE2,QHU,SHE,SHE2,SHE3,SHE5,SHJ,WHE,WHJ,WKT2 WME1,WME2,WXE,WXJ

2

**E-22-1**
**CONTROL(2)**

F 2

FR. →  
ZL80-E2201

Service item	F.R.T.
SWITCH ASSY., ENGINE STOP	0.1
ARM, GOVERNOR	0.2
.PLATE, SIDE	
.ROD, CHOKE CONTROL	
.ROD, GOVERNOR	
.SPRING, GOVERNOR	
.SPRING, THROTTLE RETURN	
CONTROL ASSY.	0.3
.LEVER, CONTROL	
BASE COMP., CONTROL	0.4

Ref. No.	Part No.	Description	Reqd. QTY					Serial No.	Parts catalogue code
			GC 135	GC 160	GC 160A	GC 135E	GC 160E		
1	16500-ZL8-800	CONTROL ASSY.	1	1	1	1	1	----- QDE, QHAJ, QHA1, QHC1, QHEP, QHE1, QHE3, QHE5, QHM, QHU1, SHE1, SHE4	
			1	-	-	-	-	----- 1260906 QHEB	
			1	-	-	-	-	----- 1308264 QHP7	
			-	1	-	-	-	----- 1825717 QHEB	
			-	-	-	-	-	----- QHEB	
2	16551-ZL9-000	ARM, GOVERNOR	1	-	-	1	-	----- QHA1, QHC1, QHEP, QHE1, QHE3, QHE5, QHU1, SHE1, SHE4	
			1	-	-	-	-	----- 1260906 QHEB	
			1	-	-	-	-	----- 1308264 QHP7	
	16551-ZL8-000		-	1	-	-	1	----- QDE, QHAJ, QHA1, QHC1, QHEP, QHE1, QHE3, QHE5, QHM, QHU1, SHE1, SHE4	
			-	1	-	-	-	----- 1825717 QHEB	
			-	-	-	-	-	----- QHEB	
3	16555-ZL8-000	ROD, GOVERNOR	1	1	1	1	1	----- QDE, QHAJ, QHA1, QHC1, QHEP, QHE1, QHE3, QHE5, QHM, QHU1, SHE1, SHE4	
			1	-	-	-	-	----- 1260906 QHEB	
			1	-	-	-	-	----- 1308264 QHP7	
			-	1	-	-	-	----- 1825717 QHEB	
			-	-	-	-	-	----- QHEB	
4	16561-ZL8-000	SPRING, GOVERNOR	1	1	1	1	1	----- QDE, QHAJ, QHA1, QHC1, QHEP, QHE1, QHE3, QHE5, QHU1, SHE1, SHE4	
			1	-	-	-	-	----- 1260906 QHEB	
			-	1	-	-	-	----- 1825717 QHEB	
			-	-	-	-	-	----- QHEB	
	16561-ZL8-V20		1	-	-	-	-	----- 1308264 QHP7	
			-	1	-	-	-	----- QHM	
5	16562-ZL8-000	SPRING, THROTTLE RETURN	1	-	-	-	-	----- 1030440 QHA1, QHC1, QHEB, QHEP, QHE1, QHE3, QHE5, QHU1, SHE1, SHE4	
			-	1	-	-	-	----- 1077280 QHA1, QHC1, QHEB, QHEP, QHE1, QHE3, QHE5, QHU1, SHE1, SHE4	

E-22-1

CONTROL(2)

F 3

Ref. No.	Part No.	Description	Reqd. QTY					Serial No.	Parts catalogue code	
			GC 135	GC 160	GC 160A	GC 135E	GC 160E			
(5)	16562-ZL8-800	SPRING, THROTTLE RETURN .....	1	-	-	-	-	1030441	QHA1,QHC1,QHEP,QHE1,QHE3,QHE5,QHU1,SHE1,SHE4	
			1	-	-	-	-	1308264	QHP7	
			1	-	-	-	-	1030441	1260906	QHEB
			-	1	1	-	-	-	-	QDE,QHAJ,QHM
			-	1	-	-	-	-	1077281	QHA1,QHC1,QHEP,QHE1,QHE3,QHE5,QHU1,SHE1,SHE4
-	1	-	-	-	-	1077281	1825717	QHEB		
-	-	1	1	1	1	-	-	QHA1,QHEP,QHE1,QHE5,SHE1		
-	-	1	-	-	-	-	-	QHEB		
6	16571-ZL8-800	LEVER, CONTROL .....	1	1	1	1	1	-	QDE,QHAJ,QHA1,QHC1,QHEP,QHE1,QHE3,QHE5,QHM,QHU1,SHE1,SHE4	
			1	-	-	-	-	-	1260906	QHEB
			1	-	-	-	-	-	1308264	QHP7
			-	1	-	-	-	-	1825717	QHEB
7	16575-ZL8-800	WASHER, CONTROL LEVER .....	1	1	1	1	1	-	QDE,QHAJ,QHA1,QHC1,QHEP,QHE1,QHE3,QHE5,QHM,QHU1,SHE1,SHE4	
			1	-	-	-	-	-	1260906	QHEB
			1	-	-	-	-	-	1308264	QHP7
			-	1	-	-	-	-	1825717	QHEB
8	16576-891-000	HOLDER, CABLE .....	1	1	1	1	1	-	QDE,QHAJ,QHA1,QHC1,QHEP,QHE1,QHE3,QHE5,QHM,QHU1,SHE1,SHE4	
			1	-	-	-	-	-	1260906	QHEB
			1	-	-	-	-	-	1308264	QHP7
			-	1	-	-	-	-	1825717	QHEB
9	16578-ZL8-800	SPACER, CONTROL LEVER .....	1	1	1	1	1	-	QDE,QHAJ,QHA1,QHC1,QHEP,QHE1,QHE3,QHE5,QHM,QHU1,SHE1,SHE4	
			1	-	-	-	-	-	1260906	QHEB
			1	-	-	-	-	-	1308264	QHP7
			-	1	-	-	-	-	1825717	QHEB
10	16580-ZL8-000	BASE COMP., CONTROL .....	1	1	1	1	1	-	QDE,QHAJ,QHA1,QHC1,QHEP,QHE1,QHE3,QHE5,QHM,QHU1,SHE1,SHE4	
			1	-	-	-	-	-	1260906	QHEB
			1	-	-	-	-	-	1308264	QHP7
			-	1	-	-	-	-	1825717	QHEB
11	16611-ZL8-000	ROD, CHOKE CONTROL .....	1	1	1	1	1	-	QDE,QHAJ,QHA1,QHC1,QHEP,QHE1,QHE3,QHE5,QHM,QHU1,SHE1,SHE4	
			1	-	-	-	-	-	1260906	QHEB
			1	-	-	-	-	-	1308264	QHP7
			-	1	-	-	-	-	1825717	QHEB
12	16613-893-000	GROMMET, CHOKE ROD .....	1	1	1	1	1	-	QDE,QHAJ,QHA1,QHC1,QHEP,QHE1,QHE3,QHE5,QHM,QHU1,SHE1,SHE4	
			1	-	-	-	-	-	1260906	QHEB
			1	-	-	-	-	-	1308264	QHP7
			-	1	-	-	-	-	1825717	QHEB
13	19612-ZL8-000	PLATE, SIDE .....	1	1	1	1	1	-	QDE,QHAJ,QHA1,QHC1,QHEP,QHE1,QHE3,QHE5,QHM,QHU1,SHE1,SHE4	
			1	-	-	-	-	-	1260906	QHEB
			1	-	-	-	-	-	1308264	QHP7
			-	1	-	-	-	-	1825717	QHEB
14	35120-ZL8-003	SWITCH ASSY., ENGINE STOP (N.O)	1	1	1	1	1	-	QDE,QHAJ,QHA1,QHC1,QHEP,QHE1,QHE3,QHE5,QHM,QHU1,SHE1,SHE4	
			1	-	-	-	-	-	1260906	QHEB
			1	-	-	-	-	-	1308264	QHP7
			-	1	-	-	-	-	1825717	QHEB
-	-	1	-	-	-	-	-	QHEB		

2

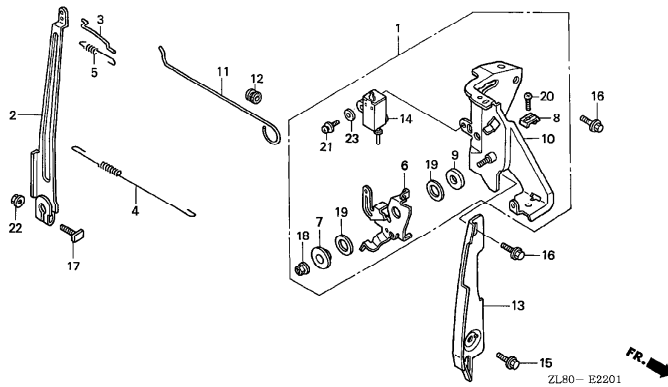
**E-22-1**
**CONTROL(2)**
**F 4**

Ref. No.	Part No.	Description	Reqd QTY					Serial No.	Parts catalogue code
			GC 135	GC 160	GC 160A	GC 135E	GC 160E		
15	90013-883-000	BOLT, FLANGE, 6X12(CT200) ...	1	1	1	1	1	-----	QDE,QHAJ,QHA1,QHC1,QHEP,QHE1,QHE3,QHE5,QHM,QHU1,SHE1,SHE4
			1	-	-	-	-	1260906	QHEB
			1	-	-	-	-	1308264	QHP7
			-	1	-	-	-	1825717	QHEB
16	90014-952-000	BOLT, FLANGE, 6X14(CT200) ...	2	2	2	2	2	-----	QDE,QHAJ,QHA1,QHC1,QHEP,QHE1,QHE3,QHE5,QHM,QHU1,SHE1,SHE4
			2	-	-	-	-	1260906	QHEB
			2	-	-	-	-	1308264	QHP7
			-	2	-	-	-	1825717	QHEB
17	90015-2E5-010	BOLT, GOVERNOR ARM .....	1	1	1	1	1	-----	QDE,QHAJ,QHA1,QHC1,QHEP,QHE1,QHE3,QHE5,QHM,QHU1,SHE1,SHE4
			1	-	-	-	-	1260906	QHEB
			1	-	-	-	-	1308264	QHP7
			-	1	-	-	-	1825717	QHEB
18	90114-SA0-000	NUT, SELF-LOCK, 6MM .....	1	1	1	1	1	-----	QDE,QHAJ,QHA1,QHC1,QHEP,QHE1,QHE3,QHE5,QHM,QHU1,SHE1,SHE4
			1	-	-	-	-	1260906	QHEB
			1	-	-	-	-	1308264	QHP7
			-	1	-	-	-	1825717	QHEB
19	90452-KG8-000	WASHER, 12.5MM .....	2	2	2	2	2	-----	QDE,QHAJ,QHA1,QHC1,QHEP,QHE1,QHE3,QHE5,QHM,QHU1,SHE1,SHE4
			2	-	-	-	-	1260906	QHEB
			2	-	-	-	-	1308264	QHP7
			-	2	-	-	-	1825717	QHEB
-	-	2	-	-	-----	QHEB			

E-22-1

CONTROL(2)

F 5



Ref. No.	Part No.	Description	Reqd QTY					Serial No.	Parts catalogue code
			GC 135	GC 160	GC 160A	GC 135E	GC 160E		
20	93500-05016-0A	SCREW, PAN, 5X16 .....	1	1	1	1	1	----- QDE,QHAJ,QHA1,QHC1,QHEP,QHE1,QHE3,QHE5,QHM,QHU1,SHE1,SHE4	
			1	-	-	-	-	1260906 QHEB	
			1	-	-	-	-	1308264 QHP7	
			-	1	-	-	-	1825717 QHEB	
			-	-	1	-	----- QHEB		
21	93892-04012-00	SCREW-WASHER, 4X12 .....	1	1	1	1	1	----- QDE,QHAJ,QHA1,QHC1,QHEP,QHE1,QHE3,QHE5,QHM,QHU1,SHE1,SHE4	
			1	-	-	-	-	1260906 QHEB	
			1	-	-	-	-	1308264 QHP7	
			-	1	-	-	-	1825717 QHEB	
			-	-	1	-	----- QHEB		
22	94050-06000	NUT, FLANGE, 6MM .....	1	1	1	1	1	----- QDE,QHAJ,QHA1,QHC1,QHEP,QHE1,QHE3,QHE5,QHM,QHU1,SHE1,SHE4	
			1	-	-	-	-	1260906 QHEB	
			1	-	-	-	-	1308264 QHP7	
			-	1	-	-	-	1825717 QHEB	
			-	-	1	-	----- QHEB		
23	94103-04000	WASHER, PLAIN, 4MM .....	1	1	1	1	1	----- QDE,QHAJ,QHA1,QHC1,QHEP,QHE1,QHE3,QHE5,QHM,QHU1,SHE1,SHE4	
			1	-	-	-	-	1260906 QHEB	
			1	-	-	-	-	1308264 QHP7	
			-	1	-	-	-	1825717 QHEB	
			-	-	1	-	----- QHEB		

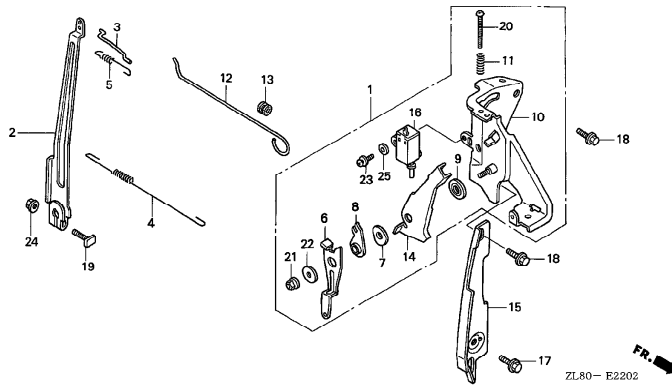
2



E-22-2

CONTROL(3)

F 6



Service item	F.R.T.
SWITCH ASSY., ENGINE STOP	0.1
ARM, GOVERNOR	0.2
PLATE, SIDE	
ROD, CHOKE CONTROL	
ROD, GOVERNOR	
SPRING, GOVERNOR	
SPRING, THROTTLE RETURN	
CONTROL ASSY.	0.3
LEVER, CONTROL	
BASE COMP., CONTROL	0.4
LEVER, STOP	

Ref. No.	Part No.	Description	Reqd QTY					Serial No.	Parts catalogue code
			GC 135	GC 160	GC 160A	GC 135E	GC 160E		
1	16500-ZL8-850	CONTROL ASSY.	1	1	1	1	1	VHA,VHC,VHE,VHJ,VHU,VX,VXA,VXC,VXD,VXE,VXJ,VXU	
2	16551-ZL9-000	ARM, GOVERNOR	1	-	1	-	-	VHA,VHC,VHE,VHJ,VHU,VXA,VXC,VXD,VXE,VXJ,VXU	
3	16555-ZL8-000	ROD, GOVERNOR	1	1	1	1	1	VHA,VHC,VHE,VHJ,VHU,VX,VXA,VXC,VXD,VXE,VXJ,VXU	
4	16561-ZL8-800	SPRING, GOVERNOR	1	1	1	1	1	VHA,VHC,VHE,VHJ,VHU,VX,VXA,VXC,VXD,VXE,VXJ,VXU	
5	16562-ZL8-000	SPRING, THROTTLE RETURN	1	-	-	-	-	VHE,VHU,VXE,VXU	
	16561-ZL8-810		1	1	1	1	1	VHA,VHC,VHJ,VX,VXA,VXC,VXD,VXJ	
	16562-ZL8-800		1	-	-	-	-	1030440 VHA,VHC,VHE,VHJ,VHU,VX,VXA,VXC,VXD,VXE,VXJ,VXU	
			1	-	-	-	-	1077280 VHA,VHC,VHE,VHJ,VHU,VX,VXA,VXC,VXD,VXE,VXJ,VXU	
			1	-	-	-	-	1030441 VHA,VHC,VHE,VHJ,VHU,VXA,VXC,VXD,VXE,VXJ,VXU	
			1	-	-	-	-	1077281 VHA,VHC,VHE,VHJ,VHU,VX,VXA,VXC,VXD,VXE,VXJ,VXU	
			-	-	1	1	1	VHA,VXA,VXE,VXU	
6	16571-ZL8-850	LEVER, CONTROL	1	1	1	1	1	VHA,VHC,VHE,VHJ,VHU,VX,VXA,VXC,VXD,VXE,VXJ,VXU	
7	16574-ZE1-000	SPRING, LEVER	1	1	1	1	1	VHA,VHC,VHE,VHJ,VHU,VX,VXA,VXC,VXD,VXE,VXJ,VXU	
8	16575-ZL8-000	WASHER, CONTROL LEVER	1	1	1	1	1	VHA,VHC,VHE,VHJ,VHU,VX,VXA,VXC,VXD,VXE,VXJ,VXU	
9	16578-ZE1-000	SPACER, CONTROL LEVER	1	1	1	1	1	VHA,VHC,VHE,VHJ,VHU,VX,VXA,VXC,VXD,VXE,VXJ,VXU	
10	16580-ZL8-000	BASE COMP., CONTROL	1	1	1	1	1	VHA,VHC,VHE,VHJ,VHU,VX,VXA,VXC,VXD,VXE,VXJ,VXU	
11	16584-883-300	SPRING, CONTROL ADJUSTING	1	1	1	1	1	VHA,VHC,VHE,VHJ,VHU,VX,VXA,VXC,VXD,VXE,VXJ,VXU	
12	16611-ZL8-000	ROD, CHOKE CONTROL	1	1	1	1	1	VHA,VHC,VHE,VHJ,VHU,VX,VXA,VXC,VXD,VXE,VXJ,VXU	
13	16613-893-000	GROMMET, CHOKE ROD	1	1	1	1	1	VHA,VHC,VHE,VHJ,VHU,VX,VXA,VXC,VXD,VXE,VXJ,VXU	
14	16631-ZL8-850	LEVER, STOP	1	1	1	1	1	VHA,VHC,VHE,VHJ,VHU,VX,VXA,VXC,VXD,VXE,VXJ,VXU	
15	19612-ZL8-000	PLATE, SIDE	1	1	1	1	1	VHA,VHC,VHE,VHJ,VHU,VX,VXA,VXC,VXD,VXE,VXJ,VXU	
16	35120-ZL8-003	SWITCH ASSY., ENGINE STOP (N.O)	1	1	1	1	1	VHA,VHC,VHE,VHJ,VHU,VX,VXA,VXC,VXD,VXE,VXJ,VXU	
17	90013-883-000	BOLT, FLANGE, 6X12(CT200)	1	1	1	1	1	VHA,VHC,VHE,VHJ,VHU,VX,VXA,VXC,VXD,VXE,VXJ,VXU	
18	90014-952-000	BOLT, FLANGE, 6X14(CT200)	2	2	2	2	2	VHA,VHC,VHE,VHJ,VHU,VX,VXA,VXC,VXD,VXE,VXJ,VXU	
19	90015-ZE5-010	BOLT, GOVERNOR ARM	1	1	1	1	1	VHA,VHC,VHE,VHJ,VHU,VX,VXA,VXC,VXD,VXE,VXJ,VXU	

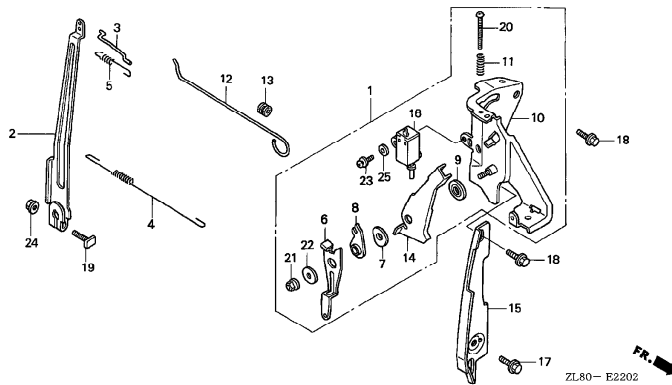
70



E-22-2

CONTROL(3)

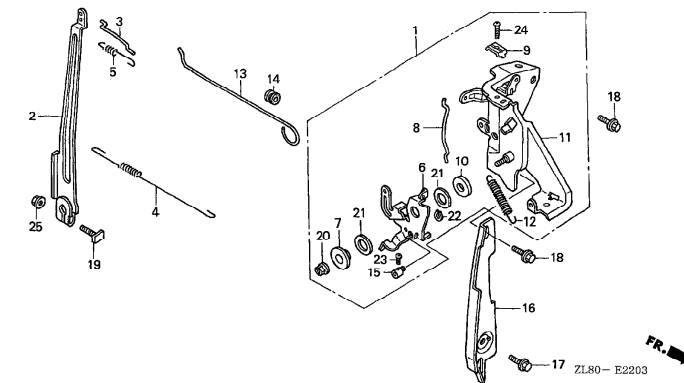
F 7



Ref. No.	Part No.	Description	Reqd QTY					Serial No.	Parts catalogue code
			GC 135	GC 160	GC 160A	GC 135E	GC 160E		
20	90031-ZL8-850	SCREW, ADJUST .....	1	1	1	1	1	-----	VHA,VHC,VHE,VHJ,VHU,VX,VXA,VXC,VXD,VXE,VXJ,VXU
21	90114-SA0-000	NUT, SELF-LOCK, 6MM .....	1	1	1	1	1	-----	VHA,VHC,VHE,VHJ,VHU,VX,VXA,VXC,VXD,VXE,VXJ,VXU
22	90563-355-000	WASHER, WHEEL, 6MM .....	1	1	1	1	1	-----	VHA,VHC,VHE,VHJ,VHU,VX,VXA,VXC,VXD,VXE,VXJ,VXU
23	93892-04012-00	SCREW-WASHER, 4X12 .....	1	1	1	1	1	-----	VHA,VHC,VHE,VHJ,VHU,VX,VXA,VXC,VXD,VXE,VXJ,VXU
24	94050-06000	NUT, FLANGE, 6MM .....	1	1	1	1	1	-----	VHA,VHC,VHE,VHJ,VHU,VX,VXA,VXC,VXD,VXE,VXJ,VXU
25	94103-04000	WASHER, PLAIN, 4MM .....	1	1	1	1	1	-----	VHA,VHC,VHE,VHJ,VHU,VX,VXA,VXC,VXD,VXE,VXJ,VXU

2

**E-22-3**
**CONTROL(4)**
**F 8**



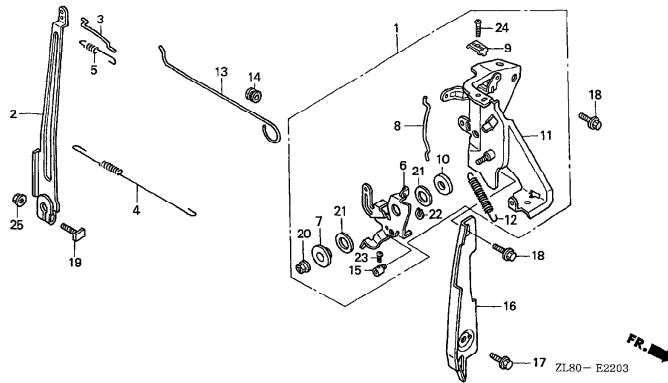
Service item	F.R.T.
SPRING, CONTROL LEVER RETURN	0.1
ARM, GOVERNOR	0.2
PLATE, SIDE	
ROD, CHOKE CONTROL	
ROD, CONTROL LEVER	
ROD, GOVERNOR	
SPRING, GOVERNOR	
SPRING, THROTTLE RETURN	
CONTROL ASSY.	0.3
BASE COMP., CONTROL	0.4
LEVER, CONTROL	

Ref. No.	Part No.	Description	Reqd QTY					Serial No.	Parts catalogue code
			GC 135	GC 160	GC 160A	GC 135E	GC 160E		
1	16500-ZL8-840	CONTROL ASSY. ....	1	1	1	1	1	-----	QHE4,SHE6
2	16551-ZL9-000	ARM, GOVERNOR .....	1	-	-	1	-	-----	QHE4,SHE6
3	16555-ZL8-000	ROD, GOVERNOR .....	1	1	1	1	1	-----	QHE4,SHE6
4	16561-ZL8-000	SPRING, GOVERNOR .....	1	1	-	1	1	-----	QHE4,SHE6
	16561-Z0J-000	-----	-	-	1	-	-	-----	QHE4,SHE6
5	16562-ZL8-000	SPRING, THROTTLE RETURN .....	1	-	-	-	-	1030440	QHE4,SHE6
		-----	-	-	-	-	-	1077280	QHE4,SHE6
	16562-ZL8-800	-----	1	-	-	-	-	1030441	QHE4,SHE6
		-----	-	-	-	-	-	1077281	QHE4,SHE6
		-----	-	-	1	1	1	-----	QHE4,SHE6
6	16571-ZL8-820	LEVER, CONTROL .....	1	1	1	1	1	-----	QHE4,SHE6
7	16575-ZL8-800	WASHER, CONTROL LEVER .....	1	1	1	1	1	-----	QHE4,SHE6
8	16576-ZL8-800	ROD, CONTROL LEVER .....	1	1	1	1	1	-----	QHE4,SHE6
9	16576-891-000	HOLDER, CABLE .....	1	1	1	1	1	-----	QHE4,SHE6
10	16578-ZL8-800	SPACER, CONTROL LEVER .....	1	1	1	1	1	-----	QHE4,SHE6
11	16580-ZL8-840	BASE COMP., CONTROL .....	1	1	1	1	1	-----	QHE4,SHE6
12	16593-ZL8-800	SPRING, CONTROL LEVER RETURN	1	1	1	1	1	-----	QHE4,SHE6
13	16611-ZL8-000	ROD, CHOKE CONTROL .....	1	1	1	1	1	-----	QHE4,SHE6
14	16613-893-000	GROMMET, CHOKE ROD .....	1	1	1	1	1	-----	QHE4,SHE6
15	16617-ZE3-H00	HOLDER, WIRE .....	1	1	1	1	1	-----	QHE4,SHE6
16	19612-ZL8-000	PLATE, SIDE .....	1	1	1	1	1	-----	QHE4,SHE6
17	90013-883-000	BOLT, FLANGE, 6X12(CT200) ...	1	1	1	1	1	-----	QHE4,SHE6
18	90014-952-000	BOLT, FLANGE, 6X14(CT200) ...	2	2	2	2	2	-----	QHE4,SHE6
19	90015-ZE5-010	BOLT, GOVERNOR ARM .....	1	1	1	1	1	-----	QHE4,SHE6
20	90114-SA0-000	NUT, SELF-LOCK, 6MM .....	1	1	1	1	1	-----	QHE4,SHE6

E-22-3

CONTROL(4)

F 9



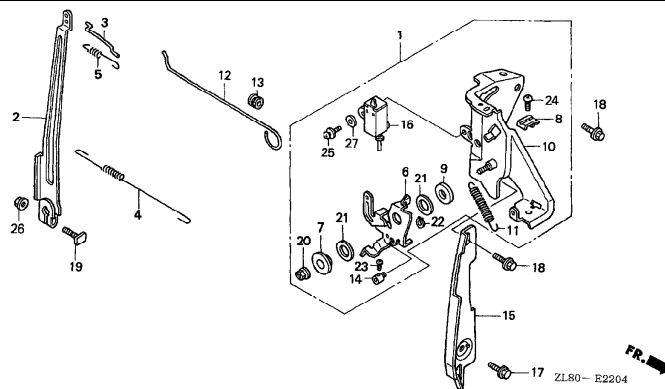
2

Ref. No.	Part No.	Description	Reqd QTY					Serial No.	Parts catalogue code
			GC 135	GC 160	GC 160A	GC 135E	GC 160E		
21	90452-KG8-000	WASHER, 12,5MM	2	2	2	2	2	-----	QHE4,SHE6
22	90605-250-000	CIRCLIP, 5MM	1	1	1	1	1	-----	QHE4,SHE6
23	93500-04006-0H	SCREW, PAN, 4X6	1	1	1	1	1	-----	QHE4,SHE6
24	93500-05016-0A	SCREW, PAN, 5X16	1	1	1	1	1	-----	QHE4,SHE6
25	94050-06000	NUT, FLANGE, 6MM	1	1	1	1	1	-----	QHE4,SHE6

E-22-4

CONTROL(5)

F10



Service item	F.R.T.
SPRING, CONTROL LEVER RETURN	0.1
SWITCH ASSY., ENGINE STOP	
ARM, GOVERNOR	0.2
PLATE, SIDE	
ROD, CHOKE CONTROL	
ROD, GOVERNOR	
SPRING, GOVERNOR	
SPRING, THROTTLE RETURN	
CONTROL ASSY.	0.3
LEVER, CONTROL	
BASE COMP., CONTROL	0.4

Ref. No.	Part No.	Description	Reqd QTY					Serial No.	Parts catalogue code
			GC 135	GC 160	GC 160A	GC 135E	GC 160E		
1	16500-ZL8-810	CONTROL ASSY. ....	1	1	1	1	1	-----	QHET,SHJ1,SHJ4
2	16551-ZL9-000	ARM, GOVERNOR .....	1	-	-	1	-	-----	SHJ1,SHJ4
3	16555-ZL8-000	ROD, GOVERNOR .....	1	1	1	1	1	-----	QHET,SHJ1
4	16561-ZL8-000	SPRING, GOVERNOR .....	1	1	-	1	1	-----	QHET,SHJ1,SHJ4
5	16562-ZL8-000	SPRING, THROTTLE RETURN .....	1	-	-	-	-	-----	QHET
								1030440	SHJ1
								1077280	SHJ1
	16562-ZL8-800	.....	1	1	1	1	1	-----	QHET,SHJ4
								1030441	SHJ1
								1077281	SHJ1
								-----	SHJ1
6	16571-ZL8-800	LEVER, CONTROL .....	1	1	1	1	1	-----	QHET,SHJ1,SHJ4
7	16575-ZL8-800	WASHER, CONTROL LEVER .....	1	1	1	1	1	-----	QHET,SHJ1,SHJ4
8	16576-891-000	HOLDER, CABLE .....	1	1	1	1	1	-----	QHET,SHJ1,SHJ4
9	16578-ZL8-800	SPACER, CONTROL LEVER .....	1	1	1	1	1	-----	QHET,SHJ1,SHJ4
10	16580-ZL8-000	BASE COMP., CONTROL .....	1	1	1	1	1	-----	QHET,SHJ1,SHJ4
11	16593-ZL8-800	SPRING, CONTROL LEVER RETURN	1	1	1	1	1	-----	QHET,SHJ1,SHJ4
12	16611-ZL8-000	ROD, CHOKE CONTROL .....	1	1	1	1	1	-----	QHET,SHJ1,SHJ4
13	16613-893-000	GROMMET, CHOKE ROD .....	1	1	1	1	1	-----	QHET,SHJ1,SHJ4
14	16617-ZE3-H00	HOLDER, WIRE .....	1	1	1	1	1	-----	QHET,SHJ1,SHJ4
15	19612-ZL8-000	PLATE, SIDE .....	1	1	1	1	1	-----	QHET,SHJ1,SHJ4
16	35120-ZL8-003	SWITCH ASSY., ENGINE STOP							
		(N.O)	1	1	1	1	1	-----	QHET,SHJ1,SHJ4
17	90013-883-000	BOLT, FLANGE, 6X12(CT200) ...	1	1	1	1	1	-----	QHET,SHJ1,SHJ4
18	90014-952-000	BOLT, FLANGE, 6X14(CT200) ...	2	2	2	2	2	-----	QHET,SHJ1,SHJ4

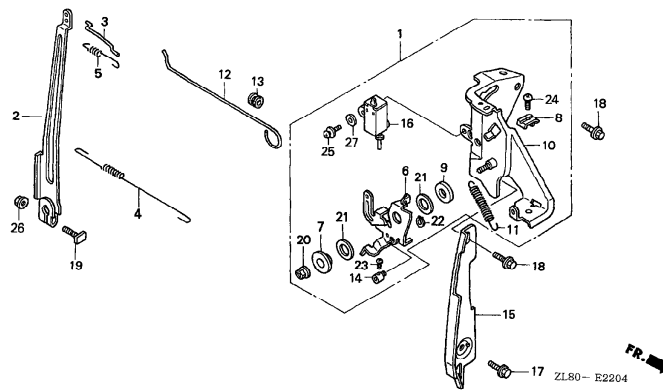
74



E-22-4

CONTROL(5)

F11



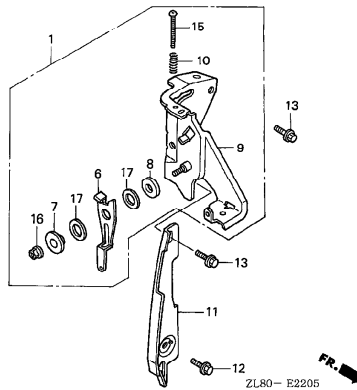
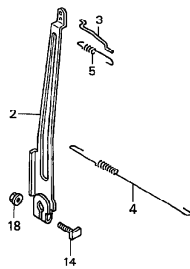
Ref. No.	Part No.	Description	Reqd QTY					Serial No.	Parts catalogue code
			GC 135	GC 160	GC 160A	GC 135E	GC 160E		
19	90015-ZE5-010	BOLT, GOVERNOR ARM .....	1	1	1	1	1	-----	QHET,SHJ1,SHJ4
20	90114-SA0-000	NUT, SELF-LOCK, 6MM .....	1	1	1	1	1	-----	QHET,SHJ1,SHJ4
21	90452-K68-000	WASHER, 12.5MM .....	2	2	2	2	2	-----	QHET,SHJ1,SHJ4
22	90605-230-000	CIRCLIP, 5MM .....	1	1	1	1	1	-----	QHET,SHJ1,SHJ4
23	93500-04006-0H	SCREW, PAN, 4X6 .....	1	1	1	1	1	-----	QHET,SHJ1,SHJ4
24	93500-05016-0A	SCREW, PAN, 5X16 .....	1	1	1	1	1	-----	QHET,SHJ1,SHJ4
25	93892-04012-00	SCREW-WASHER, 4X12 .....	1	1	1	1	1	-----	QHET,SHJ1,SHJ4
26	94050-06000	NUT, FLANGE, 6MM .....	1	1	1	1	1	-----	QHET,SHJ1,SHJ4
27	94103-04000	WASHER, PLAIN, 4MM .....	1	1	1	1	1	-----	QHET,SHJ1,SHJ4

2

E-22-5

CONTROL(6)

F12



Service item	F.R.T.
ARM, GOVERNOR .....	0.2
PLATE, SIDE .....	
ROD, GOVERNOR .....	
SPRING, GOVERNOR .....	
SPRING, THROTTLE RETURN .....	
CONTROL ASSY. ....	0.3
LEVER, CONTROL .....	
BASE COMP., CONTROL .....	0.4

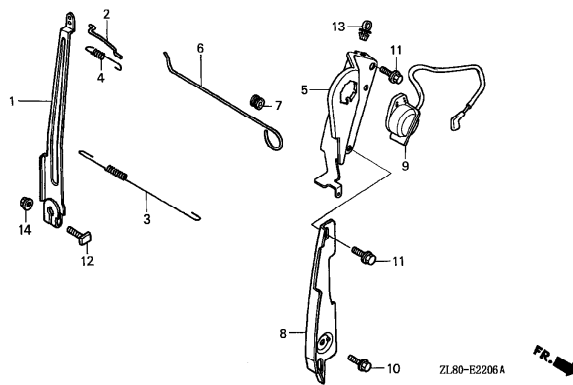
Ref. No.	Part No.	Description	Reqd QTY					Serial No.	Parts catalogue code
			GC 135	GC 160	GC 160A	GC 135E	GC 160E		
1	16500-ZL9-V40	CONTROL ASSY. ....	1	-	-	1	-	VXP4, VXP5	
2	16551-ZL9-000	ARM, GOVERNOR .....	1	-	-	1	-	VXP4, VXP5	
3	16555-ZL8-000	ROD, GOVERNOR .....	1	-	-	1	-	VXP4, VXP5	
4	16561-ZL8-810	SPRING, GOVERNOR .....	1	-	-	1	-	VXP4, VXP5	
5	16562-ZL8-800	SPRING, THROTTLE RETURN .....	1	-	-	1	-	VXP4, VXP5	
6	16571-ZL8-850	LEVER, CONTROL .....	1	-	-	1	-	VXP4, VXP5	
7	16575-ZL8-800	WASHER, CONTROL LEVER .....	1	-	-	1	-	VXP4, VXP5	
8	16578-ZL8-800	SPACER, CONTROL LEVER .....	1	-	-	1	-	VXP4, VXP5	
9	16580-ZL9-V40	BASE COMP., CONTROL .....	1	-	-	-	1213955	VXP4, VXP5	
	16580-ZL8-000	.....	1	-	-	-	1213956	VXP4, VXP5	
		.....	-	-	-	1	-	VXP5	
10	16584-883-300	SPRING, CONTROL ADJUSTING ...	1	-	-	1	-	VXP4, VXP5	
11	19612-ZL8-000	PLATE, SIDE .....	1	-	-	1	-	VXP4, VXP5	
12	90013-883-000	BOLT, FLANGE, 6X12 (CT200) ...	1	-	-	1	-	VXP4, VXP5	
13	90014-952-000	BOLT, FLANGE, 6X14 (CT200) ...	2	-	-	2	-	VXP4, VXP5	
14	90015-ZE5-010	BOLT, GOVERNOR ARM .....	1	-	-	1	-	VXP4, VXP5	
15	90031-ZL8-850	SCREW, ADJUST .....	1	-	-	1	-	VXP4, VXP5	
16	90114-SA0-000	NUT, SELF-LOCK, 6MM .....	1	-	-	1	-	VXP4, VXP5	
17	90452-KG8-000	WASHER, 12.5MM .....	2	-	-	2	-	VXP4, VXP5	
18	94050-06000	NUT, FLANGE, 6MM .....	1	-	-	1	-	VXP4, VXP5	



E-22-6

CONTROL(7)

F13



Service item	F.R.T.
SWITCH ASSY., ENGINE STOP	0.1
ARM, GOVERNOR	0.2
PLATE, SIDE	
ROD, CHOKE CONTROL	
ROD, GOVERNOR	
SPRING, GOVERNOR	
SPRING, THROTTLE RETURN	
BASE, CONTROL	0.4

Ref. No.	Part No.	Description	Reqd QTY					Serial No.	Parts catalogue code
			GC 135	GC 160	GC 160A	GC 135E	GC 160E		
1	16551-ZL8-000	ARM, GOVERNOR	-	-	1	-	-	-	DHAF,QHAF
2	16555-ZL8-000	ROD, GOVERNOR	-	-	1	-	-	-	DHAF,QHAF
3	16561-Z0J-000	SPRING, GOVERNOR	-	-	1	-	-	-	DHAF,QHAF
4	16562-ZL8-800	SPRING, THROTTLE RETURN	-	-	1	-	-	-	DHAF,QHAF
5	16581-Z0J-800	BASE, CONTROL	-	-	1	-	-	-	DHAF,QHAF
6	16611-ZL8-000	ROD, CHOKE CONTROL	-	-	1	-	-	-	DHAF,QHAF
7	16613-893-000	GROMMET, CHOKE ROD	-	-	1	-	-	-	DHAF,QHAF
8	19612-ZL8-000	PLATE, SIDE	-	-	1	-	-	-	DHAF,QHAF
9	35120-Z0J-801	SWITCH ASSY., ENGINE STOP	-	-	1	-	-	-	DHAF,QHAF
10	90013-883-000	BOLT, FLANGE, 6X12(CT200)	-	-	1	-	-	-	DHAF,QHAF
11	90014-952-000	BOLT, FLANGE, 6X14(CT200)	-	-	2	-	-	-	DHAF,QHAF
12	90015-ZE5-010	BOLT, GOVERNOR ARM	-	-	1	-	-	-	DHAF,QHAF
13	90681-959-003	CLIP A, CABLE	-	-	1	-	-	-	DHAF,QHAF
14	94050-06000	NUT, FLANGE, 6MM	-	-	1	-	-	-	DHAF,QHAF

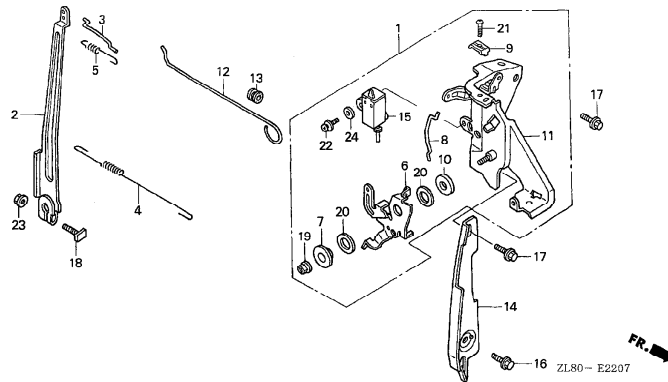
2



E-22-7

CONTROL(8)

F14



Service item	F.R.T.
SWITCH ASSY., ENGINE STOP	0.1
ARM, GOVERNOR	0.2
PLATE, SIDE	
ROD, CHOKE CONTROL	
ROD, CONTROL LEVER	
ROD, GOVERNOR	
SPRING, GOVERNOR	
SPRING, THROTTLE RETURN	
CONTROL ASSY.	0.3
LEVER, CONTROL	
BASE COMP., CONTROL	0.4

Ref. No.	Part No.	Description	Reqd. QTY						Serial No.	Parts catalogue code
			GC 135	GC 160	GC 160A	GC 135E	GC 160E			
1	16500-ZL8-V30	CONTROL ASSY. ....	1	-	-	-	-	1260907	-----	QHEB
			1	-	-	-	-	1308265	-----	QHP7
			-	1	-	1	1	-----	-----	QHP7
			-	1	-	-	-	1825718	-----	QHEB
			-	1	-	-	-	-----	-----	QHEB
2	16551-ZL8-000	ARM, GOVERNOR .....	-	1	-	-	1	-----	-----	QHEB
			-	1	-	-	1	-----	-----	QHP7
			-	1	-	-	1	-----	-----	QHEB
			-	1	-	-	1	1825718	-----	QHEB
			-	1	-	-	1	-----	-----	QHEB
3	16555-ZL8-000	ROD, GOVERNOR .....	1	-	-	-	-	1260907	-----	QHEB
			1	-	-	-	-	1308265	-----	QHP7
			-	1	-	1	1	-----	-----	QHP7
			-	1	-	-	1	1825718	-----	QHEB
			-	1	-	-	1	-----	-----	QHEB
4	16561-ZL8-V30	SPRING, GOVERNOR .....	1	-	-	-	-	1260907	1266190	QHEB
			-	1	-	-	-	1825718	1841970	QHEB
			-	1	-	-	-	1266191	-----	QHEB
			-	1	-	-	1	-----	-----	QHP7
			-	1	-	-	-	1841971	-----	QHEB
5	16562-ZL8-800	SPRING, THROTTLE RETURN .....	-	-	-	1	1	-----	-----	QHEB
			-	1	-	-	-	1308265	-----	QHP7
			-	1	-	-	1	-----	-----	QHP7
			-	1	-	-	-	1825718	-----	QHEB
			-	1	-	-	1	-----	-----	QHEB



E-22-7

CONTROL(8)

F15

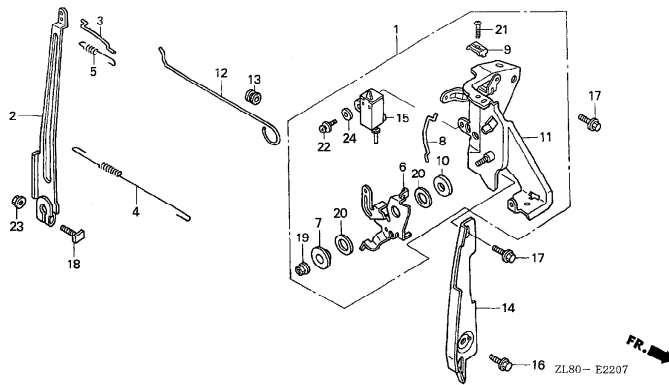
Ref. No.	Part No.	Description	Reqd. QTY					Serial No.	Parts catalogue code
			GC 135	GC 160	GC 160A	GC 139E	GC 160E		
6	16571-ZL8-800	LEVER, CONTROL .....	1	-	-	-	-	1260907 ----- QHEB	
			-	1	-	1	1	1308265 ----- QHP7	
			-	1	-	-	-	1825718 ----- QHEB	
7	16575-ZL8-800	WASHER, CONTROL LEVER .....	1	-	-	-	-	1260907 ----- QHEB	
			-	1	-	1	1	1308265 ----- QHP7	
			-	1	-	-	-	1825718 ----- QHEB	
8	16576-ZL8-V30	ROD, CONTROL LEVER .....	1	-	-	-	-	1260907 ----- QHEB	
			-	1	-	1	1	1308265 ----- QHP7	
			-	1	-	-	-	1825718 ----- QHEB	
9	16576-891-000	HOLDER, CABLE .....	1	-	-	-	-	1260907 ----- QHEB	
			-	1	-	-	-	1308265 ----- QHP7	
			-	1	-	1	1	1825718 ----- QHP7	
10	16578-ZL8-800	SPACER, CONTROL LEVER .....	1	-	-	-	-	1260907 ----- QHEB	
			-	1	-	-	-	1308265 ----- QHP7	
			-	1	-	1	1	1825718 ----- QHP7	
11	16580-ZL8-V30	BASE COMP., CONTROL .....	1	-	-	-	-	1260907 ----- QHEB	
			-	1	-	-	-	1308265 ----- QHP7	
			-	1	-	1	1	1825718 ----- QHP7	
12	16611-ZL8-000	ROD, CHOKE CONTROL .....	1	-	-	-	-	1260907 ----- QHEB	
			-	1	-	-	-	1308265 ----- QHP7	
			-	1	-	1	1	1825718 ----- QHEB	
13	16613-893-000	GROMMET, CHOKE ROD .....	1	-	-	-	-	1260907 ----- QHEB	
			-	1	-	-	-	1308265 ----- QHP7	
			-	1	-	1	1	1825718 ----- QHEB	
14	19612-ZL8-000	PLATE, SIDE .....	1	-	-	-	-	1260907 ----- QHEB	
			-	1	-	-	-	1308265 ----- QHP7	
			-	1	-	1	1	1825718 ----- QHP7	
15	35120-ZL8-003	SWITCH ASSY., ENGINE STOP (N.O)	1	-	-	-	-	1260907 ----- QHEB	
			-	1	-	-	-	1308265 ----- QHP7	
			-	1	-	1	1	1825718 ----- QHP7	
16	90013-883-000	BOLT, FLANGE, 6X12(CT200) ...	1	-	-	-	-	1260907 ----- QHEB	
			-	1	-	-	-	1308265 ----- QHP7	
			-	1	-	1	1	1825718 ----- QHP7	
								1825718 ----- QHEB	
								1825718 ----- QHEB	

2

E-22-7

CONTROL(8)

F16



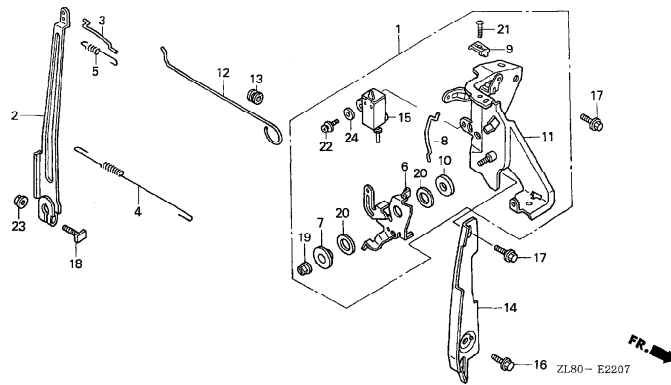
2

Ref. No.	Part No.	Description	Reqd QTY					Serial No.	Parts catalogue code	
			GC 135	GC 160	GC 160A	GC 135E	GC 160E			
17	90014-952-000	BOLT, FLANGE, 6X14(CT200) ...	2	-	-	-	-	1260907	----- QHEB	
			2	-	-	-	-	1308265	----- QHP7	
			-	2	-	2	2	-	1825718	----- QHEB
			-	2	-	-	-	-	-	----- QHEB
18	90015-ZE5-010	BOLT, GOVERNOR ARM .....	1	-	-	-	-	1260907	----- QHEB	
			1	-	-	-	-	1308265	----- QHP7	
			-	1	-	1	1	-	1825718	----- QHEB
			-	1	-	-	-	-	-	----- QHEB
19	90114-SA0-000	NUT, SELF-LOCK, 6MM .....	1	-	-	-	-	1260907	----- QHEB	
			1	-	-	-	-	1308265	----- QHP7	
			-	1	-	1	1	-	1825718	----- QHEB
			-	1	-	-	-	-	-	----- QHEB
20	90452-KG8-000	WASHER, 12.5MM .....	2	-	-	-	-	1260907	----- QHEB	
			2	-	-	-	-	1308265	----- QHP7	
			-	2	-	2	2	-	1825718	----- QHEB
			-	2	-	-	-	-	-	----- QHEB
21	93500-05016-0A	SCREW, PAN, 5X16 .....	1	-	-	-	-	1260907	----- QHEB	
			1	-	-	-	-	1308265	----- QHP7	
			-	1	-	1	1	-	1825718	----- QHEB
			-	1	-	-	-	-	-	----- QHEB

E-22-7

CONTROL(8)

G 1



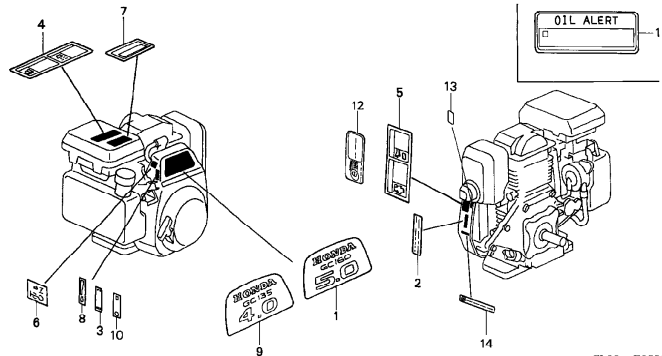
2

Ref. No.	Part No.	Description	Reqd QTY					Serial No.	Parts catalogue code
			GC 135	GC 160	GC 160A	GC 135E	GC 160E		
22	93892-04012-00	SCREW-WASHER, 4X12 .....	1	-	-	-	-	1260907	----- QHEB
			1	-	-	-	-	1308265	----- QHP7
			-	1	-	1	1	1825718	----- QHEB
			-	1	-	-	-	1260907	----- QHEB
23	94050-06000	NUT, FLANGE, 6MM .....	1	-	-	-	-	1308265	----- QHP7
			-	1	-	1	1	1825718	----- QHEB
			-	1	-	-	-	1260907	----- QHEB
			-	1	-	-	-	1308265	----- QHP7
24	94103-04000	WASHER, PLAIN, 4MM .....	1	-	-	-	-	1825718	----- QHEB
			-	1	-	-	-	1260907	----- QHEB
			-	1	-	1	1	1308265	----- QHP7
			-	1	-	-	-	1825718	----- QHEB
-	-	-	1	1	1260907	----- QHEB			

E-28

LABEL

G 2



ZL80 - E2800C

Service item F.R.T.

NOT INFORMATION .....

Ref. No.	Part No.	Description	Requ. QTY					Serial No.	Parts catalogue code
			GC 135	GC 160	GC 160A	GC 135E	GC 160E		
1	87101-ZL8-000	EMBLEM (GC160 5.0) .....	-	1	1	-	-	-----	DHAF, MHA2, PHC, PHD, PHU, PXA, PXC, PXD, QHAF, QHC1, QHU1, SHE3, SHE4, SHE5, SHJ1, VHC, VHU, WXJ
			-	1	-	-	-	1805238	PHA, PXU, QBC, QFC, QHA, QHAJ, QHA1, QHA2, QHC, QHE, QHEP, QHET, QHE1, QHE2, QHE3, QHE4, QHE5, QHM, QHU, SHE, SHE1, SHE6, SHJ, VHA, VHE, VHJ, VX, VXA, VXC, VXE, VXJ, VXU, VHE, WHJ, WKT2, WME1, WME2, WXE
	87101-ZL8-010	.....	-	1	1	-	1	-----	PHA, PXU, QBC, QFC, QHA, QHAJ, QHA1, QHA2, QHC, QHE, QHEP, QHET, QHE1, QHE2, QHE4, QHE5, QHU, SHE, SHE1, SHE6, VHA, VXA, VXE, VXU
			-	1	-	-	-	1805239	MEA2, QDE, QHP7
			-	-	-	-	1	-----	PHA, PXU, QBC, QFC, QHA, QHAJ, QHA1, QHA2, QHC, QHE, QHEP, QHET, QHE1, QHE2, QHE3, QHE4, QHE5, QHM, QHU, SHE, SHE1, SHE6, SHJ, VHA, VHE, VHJ, VX, VXA, VXC, VXE, VXJ, VXU, VHE, WHJ, WKT2, WME1, WME2, WXE
2	87152-ZL9-810	LABEL, SPECIFICATION .....	1	-	-	-	-	1222180	QHA, QHE, QHEP, QHET, QHE1, QHE2, QHE4, QHE5, SHE, SHE1, SHE6, SHJ, VXA, VXE, WHJ, WKT2
	87152-ZL8-810	.....	1	-	-	-	-	1775661	SHJ, SHJ1, SHJ4, VHJ, VXJ, WHJ, WME1, WXJ
	87152-ZL9-811	.....	1	-	-	-	-	1775662	SHJ, SHJ1, VHJ, VXJ, WHJ, WME1, WXJ
			1	-	-	-	-	1222181	QFJ
	87152-ZL8-811	.....	-	-	-	-	-	1775662	SHJ, SHJ1, SHJ4, WHJ
			-	-	-	-	-	1775662	SHJ, SHJ1, VHJ, VXJ, WHJ, WME1, WXJ
			-	-	-	-	-	1775662	SHJ, WHJ
3	87501-ZL8-000	MARK, ENGINE SWITCH INDICATION	1	1	1	1	1	-----	VHA, VHC, VHJ, VHU, VX, VXA, VXC, VXD, VXJ, VXU
4	87520-ZL8-810	MARK A, COMBINATION (J) .....	1	1	-	1	1	-----	QFJ, SHJ, SHJ1, SHJ4, VHJ, VXJ, WHJ, WME1, WXJ
5	87526-ZL8-810	MARK B, COMBINATION (J) .....	1	1	-	1	1	-----	QFJ, SHJ, SHJ1, SHJ4, VHJ, VXJ, WHJ, WME1, WXJ



E-28

LABEL

G 3

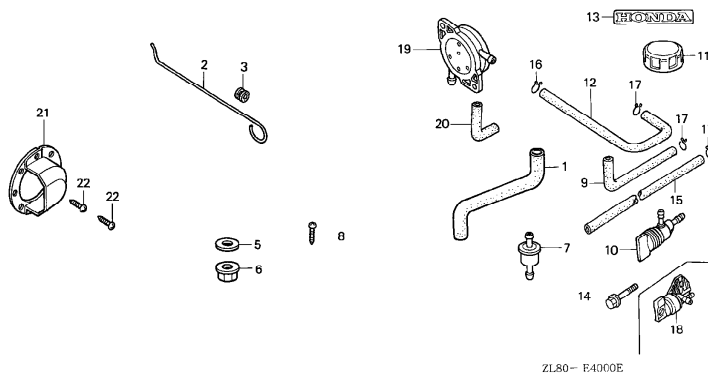
Ref. No.	Part No.	Description	Reqd. QTY					Serial No.	Parts catalogue code
			GC 135	GC 160	GC 160A	GC 139E	GC 160E		
6	87528-ZL8-000	MARK, CHOKE .....	1	-	-	1	-	PH A,PH C,PH D,PH U,PH A,PH C,PH D,PH U,QFC,QF J,QHA,QHA1,QHA2,QHC,QHC1,QHE,QHEB,QHEP,QHET,QHE2,QHE3,QHE4,QHE5,QHP7,QHU,QHU1,SHE,SHE1,SHE2,SHE3,SHE4,SHE5,SHE6,SH J,SHJ1,SHJ4,VHA,VHC,VHE,VHJ,VHU,VXA,VXC,VXD,VXE,VXJ,VXU,WHE,WHJ,WKT2,WME1,WME2,WXE,WXJ	
							1213955	VXP5	
7	87530-ZL8-810	MARK, OIL ALERT .....	1	1	-	-	-	VXJ,WXJ	
	87530-ZL8-820	MARK, OIL ALERT (FRENCH) ....	1	1	-	-	-	PXC,VXC	
	87530-ZL8-850	MARK, OIL ALERT (ENGLISH) ...	1	1	1	1	1	PXC,PXD,PXU,VX,VXA,VXC,VXD,VXU,WKT2	
8	87532-ZL8-800	MARK, THROTTLE INDICATION ...	1	1	1	1	1	PH A,VXP5,WME2	
9	87101-ZL9-000	EMBLEM (GC135 4.0) .....	1	-	-	-	-	PH C,PH D,PH U,PH A,PH D,PH U,QHA2,QHE4,QHU1,SHE2,SHE3,SHE4,SHE5,VHA,VHU,VXD,VXJ	
			1	-	-	-	-	1213955	
			1	-	-	-	-	VXP5	
	87101-ZL9-010	.....	1	-	-	1	-	PH A,PXC,QFC,QF J,QHA,QHA1,QHC,QHC1,QHE,QHEP,QHE1,QHE2,QHE3,QHE5,QHU,SHE,SHE1,SHE6,SH J,SHJ1,SHJ4,VHC,VHE,VHJ,VXA,VXC,VXE,VXP4,VXU,WHE,WHJ,WKT2,WME1,WME2,WXE,WXJ	
			1	-	-	-	-	1245480	
			-	-	-	1	-	PH A,PXC,QFC,QF J,QHA,QHA1,QHC,QHC1,QHE,QHEP,QHE1,QHE2,QHE3,QHE5,QHU,SHE,SHE1,SHE6,SH J,SHJ1,SHJ4,VHC,VHE,VHJ,VXA,VXC,VXE,VXP4,VXU,WHE,WHJ,WKT2,WME1,WME2,WXE,WXJ	
10	87501-ZL8-800	MARK, ENGINE SWITCH INDICATION (EN) .....	1	1	1	1	1	SHJ4,VXE,VXU,WHJ,WKT2	
11	87530-ZL8-850	MARK, OIL ALERT (ENGLISH) ...	1	-	-	1	-	VHE,VXE	
12	87135-ZE2-010	LABEL, E-SPEC (EPA STANDARD)	1	-	-	-	-	VXP4,VXP5	
			1	-	-	-	-	PXU,VXU	
			1	-	-	-	-	PXU,SHE2,VXJ	
			-	1	-	-	-	1268052	
			-	1	-	-	-	QF J,QHE,QHEB,QHEP,QHE1,QHE2,QHE3,QHE5,QHP7,QHU,SHE,SHE1,SHE6,SH J,SHJ1,SHJ4,VHE,VHJ,VXE,VXP4,VXU,WHE,WHJ,WME1,WXE,WXJ	
			-	1	-	-	-	QHP7	
			-	1	-	-	-	1842427	
			-	1	-	-	-	PXU,QHE,QHEB,QHEP,QHET,QHE1,QHE2,QHE3,QHE4,QHE5,QHM,QHU,SHE,SHE1,SHE6,SH J,VHE,VHJ,VX,VXE,VXJ,VXU,WHE,WHJ,WME1,WXE,QF J,QHE,QHEB,QHEP,QHE1,QHE2,QHE3,QHE5,QHP7,QHU,SHE,SHE1,SHE6,SH J,SHJ1,SHJ4,VHE,VHJ,VXE,VXP4,VXU,WHE,WHJ,WME1,WXE,WXJ	
			-	1	-	1	1	1268053	
			-	1	-	-	-	QHP7	
			-	1	-	-	-	1842428	
			-	1	-	1	1	PXU,QHE,QHEB,QHEP,QHET,QHE1,QHE2,QHE3,QHE4,QHE5,QHM,QHU,SHE,SHE1,SHE6,SH J,VHE,VHJ,VX,VXE,VXJ,VXU,WHE,WHJ,WME1,WXE,QF J,QHE,QHEB,QHEP,QHET,QHE1,QHE2,QHE4,QHE5,QHU,SHE,SHE1,SHE6,SH J,SHJ1,SHJ4,VXE,VXU,WHJ	
13	87601-Z0J-E40	MARK, TYPE (MEA2) .....	-	-	1	-	-	MEA2	
14	87637-ZM3-800	MARK (C-TICK) .....	-	-	-	1	-	QHU,VXU	



E-40

OTHER PARTS

G 4



ZL80-E4000E

Service item F.R.T.  
NOT INFORMATION .....

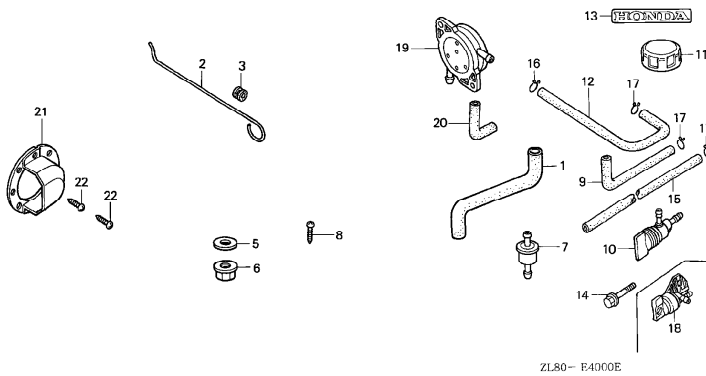
Ref. No.	Part No.	Description	Reqd QTY					Serial No.	Parts catalogue code
			GC 135	GC 160	GC 160A	GC 135E	GC 160E		
1	15721-ZL9-V40	TUBE, BREATHER .....	1	-	-	-	-	VXP4	
2	16611-ZL8-000	ROD, CHOKE CONTROL .....	1	-	1	-	-	QFC, QHET, VXP4	
			1	-	-	-	-	1213955 VXP5	
			-	-	1	-	-	PXU, QHC, QHE, QHEB, QHEP, QHE1, QHE2, QHE4, QHE5, QHU, SHE, SHE1	
3	16613-893-000	GROMMET, CHOKE ROD .....	1	-	1	1	-	SHE6, VXE, VXU	
			-	-	1	-	-	QFC, QHET, VXP4, VXP5	
5	90473-896-000	WASHER, 6MM .....	1	-	1	-	-	PXU, QHC, QHE, QHEB, QHEP, QHE1, QHE2, QHE4, QHE5, QHU, SHE, SHE1	
			-	-	1	-	-	SHE6, VXE, VXU	
			-	-	1	-	-	QFC, QHET, VXP4	
6	94050-06000	NUT, FLANGE, 6MM .....	1	-	-	-	-	PXU, QHC, QHE, QHEB, QHEP, QHE1, QHE2, QHE4, QHE5, QHU, SHE, SHE1	
			2	-	2	-	-	SHE6, VXE, VXU	
			-	-	2	-	-	VXP4, VXP5	
7	16910-GB2-005	STRAINER COMP., FUEL .....	1	-	-	-	-	QFC, QHET	
8	93500-04008-0H	SCREW, PAN, 4X8 .....	1	-	-	1	-	PXU, QHC, QHE, QHEB, QHEP, QHE1, QHE2, QHE4, QHE5, QHU, SHE, SHE1	
9	16854-ZH8-000	RUBBER, SUPPORTER (107MM) ...	1	-	-	-	-	SHE6, VXE, VXU	
			1	-	-	-	-	VXP5	
10	16950-ZG9-M03	COCK ASSY., FUEL .....	1	-	-	-	-	VXP5	
11	17620-ZL8-013	CAP ASSY., FUEL TANK .....	1	-	-	-	-	1213956	
			-	-	-	1	-	VXP5	
12	17702-ZL8-000	TUBE, FUEL .....	1	-	-	-	-	1213956	
			-	-	-	1	-	VXP5	
13	87531-VF9-780	MARK, HONDA .....	1	-	-	-	-	1213956 1285514	
	87531-VF9-781		1	-	-	-	-	VXP5	
			-	-	-	1	-	1285515	
			-	-	-	1	-	VXP5	



E-40

OTHER PARTS

G 5



Ref. No.	Part No.	Description	Reqd QTY					Serial No.	Parts catalogue code
			GC 135	GC 160	GC 160A	GC 135E	GC 160E		
14	90013-883-000	BOLT, FLANGE, 6X12(CT200) ...	2	-	-	-	-	1213956	----- VXP5
			-	-	-	2	-	-----	----- VXP5
15	95001-45140-40	TUBE, FUEL, 4,5X140 (95001-45001-60M)	1	-	-	-	-	1213956	----- VXP5
			-	-	-	1	-	-----	----- VXP5
16	95002-02080	CLIP, TUBE (B8) .....	1	-	-	-	-	1213956	----- VXP5
			-	-	-	1	-	-----	----- VXP5
17	95002-50000	CLIP, TUBE (C9) .....	3	-	-	-	-	1213956	----- VXP5
			-	-	-	3	-	-----	----- VXP5
18	16950-ZM0-003	COCK ASSY., FUEL .....	1	-	-	-	-	1285515	----- VXP5
			-	-	-	1	-	-----	----- VXP5
19	16700-ZL8-013	PUMP ASSY., FUEL .....	-	-	-	1	-	-----	----- VXP5
20	16882-ZL9-000	TUBE, DIAPHRAGM .....	-	-	-	1	-	-----	----- VXP5
21	18348-ZL8-000	CAP, MUFFLER .....	1	-	-	1	-	-----	----- SHJ4
22	90055-ZE1-000	SCREW, TAPPING, 4X6 .....	2	-	-	2	-	-----	----- SHJ4

2



## PART NO. INDEX

H 1

Part Number	Address	Page	Ref.	Part Number	Address	Page	Ref.	Part Number	Address	Page	Ref.	Part Number	Address	Page	Ref.	Part Number	Address	Page	Ref.	
<b>11000</b>																				
				14324-ZL8-000	D9	41	2	16500-ZL8-V30	F14	78	1	16571-ZL8-820	F15	79	6	16700-ZL8-013	E6	54	1	
11300-Z0J-405	D3	35	1	14400-Z0J-014	D9	41	3	16500-ZL9-V40	F12	76	1	16571-ZL8-850	F8	72	6					
11300-ZL8-000	D3	35	1	14400-ZL8-013	D9	41	3	16510-ZL8-000	D5	37	4					16854-ZH8-000	E6	54	2	
11300-ZL8-010	D3	35	1	14400-ZL9-013	D9	41	3	16531-ZE1-000	D5	37	8									
11300-ZL8-405	D3	35	1	14431-Z0J-000	D9	41	4	16541-ZL8-000	D5	37	9	16574-ZE1-000	F1	65	7	16854-ZL9-800	E6	54	2	
11300-ZL8-406	D3	35	1	14431-ZL8-000	D9	41	4	16551-ZL8-000	E16	64	2					16882-ZL8-000	E7	55	3	
11300-ZL8-408	D3	35	1	14441-Z0J-000	D9	41	5					16575-ZL8-000	F1	65	8	16882-ZL9-000	E7	55	3	
11300-ZL8-409	D3	35	1	14441-ZL8-000	D9	41	5													
11300-ZL8-600	D3	35	1	14461-ZL8-000	D9	41	6					16575-ZL8-800	F6	70	8	16910-GB2-005	G4	84	7	
11300-ZL8-601	D3	35	1	14711-ZL8-000	D9	41	7													
11300-ZL8-630	D3	35	1	14721-ZL8-000	D9	41	8													
11300-ZL8-q00	D3	35	1	14751-ZL8-000	D9	41	9													
				14771-Z0J-000	D9	41	10	16551-ZL9-000	E16	64	2					16910-ZV4-015	E10	58	27	
				14771-ZE1-000	D9	41	10									16915-ZV4-000	E10	58	28	
<b>12000</b>																				
12000-Z0L-405	D1	33	1	<b>15000</b>													<b>17000</b>			
12000-ZL8-000	D1	33	1	15625-ZE1-003	D4	36	2					16576-ZL8-800	F8	72	8	17211-ZL8-000	D16	48	2	
12000-ZL8-405	D1	33	1	15631-ZL8-000	D6	38	20					16576-ZL8-V30	F15	79	8	17211-ZL8-003	D16	48	2	
12000-ZL8-415	D1	33	1	15650-ZL8-003	D4	36	3	16555-ZL8-000	F14	78	2	16578-ZE1-000	F1	65	9					
12000-ZL9-000	D1	33	1	15650-ZL8-013	D5	37	3													
12000-ZL9-405	D1	33	1	15721-ZL8-000	D16	48	1					16578-ZL8-800	F3	67	9	17211-ZL8-013	D16	48	2	
12000-ZL9-415	D1	33	1	15721-ZL9-000	D16	48	1													
12209-ZM0-003	D10	42	14	15721-ZL9-V40	G4	84	1													
12311-ZL8-000	D2	34	3	15721-ZL9-V50	E3	51	1													
12311-ZL8-D00	D2	34	3	<b>16000</b>																
12355-ZL8-000	D2	34	4	16010-883-015	D14	46	1	16561-Z0J-000	F14	78	3	16580-ZL8-000	F1	65	10	17228-ZL8-000	E1	49	4	
<b>13000</b>																				
13010-ZL8-003	D8	40	1	16013-ZL1-003	D14	46	2													
13010-ZL8-004	D8	40	1	16015-ZL8-003	D14	46	3													
13010-ZL8-024	D8	40	1	16016-892-005	D14	46	4	16561-ZL8-000	E16	64	4	16580-ZL8-840	F8	72	11	17231-Z0L-010	E1	49	5	
13101-ZL8-000	D8	40	2	16016-Z60-W00	D15	47	22					16580-ZL9-V30	F15	79	11	17231-Z0J-020	E1	49	5	
13111-ZE0-000	D8	40	3	16024-124-760	D14	46	5					16580-ZL9-V40	F12	76	9	17231-ZL8-000	E1	49	5	
13200-ZL8-000	D8	40	4	16028-ZE0-005	D14	46	6					16581-Z0J-800	F13	77	5	17231-ZL8-010	E1	49	5	
13200-ZL9-000	D8	40	4	16029-Z60-901	D14	46	7	16561-ZL8-800	F6	70	4	16584-883-300	F6	70	11	17231-ZL8-020	E1	49	5	
13310-Z0J-650	D7	39	12	16100-ZL8-003	D15	47	8	16561-ZL8-810	F6	70	4					17231-ZM0-010	E3	51	6	
13310-Z0J-660	D7	39	13	16100-ZL8-013	D15	47	8					16593-ZL8-800	F8	72	12	17231-ZM0-020	E3	51	6	
13310-ZL8-000	D7	39	1	16100-ZL8-801	D15	47	8	16561-ZL8-V20	F2	66	4									
13310-ZL8-600	D7	39	9	16100-ZL8-802	D15	47	8	16561-ZL8-V30	F14	78	4	16611-ZL8-000	F1	65	11	17511-ZL8-000	E7	55	5	
13310-ZL8-630	D7	39	9	16100-ZL9-003	D14	46	8	16561-ZL8-V31	F14	78	4					17511-ZL8-800	E7	55	5	
13310-ZL8-631	D7	39	9	16100-ZL9-013	D14	46	8	16561-ZL8-V50	E16	64	4					17511-ZL9-000	E7	55	5	
13310-ZL8-650	D7	39	10	16100-ZL9-801	D14	46	8	16562-ZL8-000	F14	78	4					17511-ZL9-800	E7	55	5	
13310-ZL8-670	D7	39	3	16100-ZL9-802	D14	46	8													
13310-ZL8-671	D7	39	3	16155-ZL8-003	D15	47	9													
13310-ZL8-D00	D7	39	7	16166-ZL8-003	D15	47	10													
13310-ZL9-000	D7	39	5	16166-ZL9-003	D15	47	10													
13310-ZL9-600	D7	39	9	16210-ZL8-000	D15	47	20					16613-893-000	F1	65	12	17561-ZL8-000	E7	55	9	
13310-ZL9-630	D7	39	6	16211-ZL8-000	D15	47	11	16562-ZL8-800	E16	64	5					17561-ZL9-000	E7	55	9	
13310-ZL9-650	D7	39	10	16212-ZL8-000	D15	47	12													
13310-ZL9-670	D7	39	3	16220-ZL9-V40	E2	50	1													
13310-ZL9-670	D7	39	3																	
13310-ZL9-600	D7	39	7																	
13312-ZL8-000	D7	39	8	16221-883-800	D15	47	13													
13331-357-000	E11	59	1	16228-ZL8-000	D15	47	14													
				16500-ZL8-000	F16	64	1													
				16500-ZL8-800	F2	66	1													
				16500-ZL8-810	F10	74	1	16571-ZL8-000	F1	65	6					17701-ZL8-000	E8	56	11	
				16500-ZL8-840	F8	72	1	16571-ZL8-800	F3	67	6					17701-ZL8-800	F10	58	30	
				16500-ZL8-850	F6	70	1													





PART NO. INDEX

H 3

Part Number	Address	Page	Ref.	Part Number	Address	Page	Ref.	Part Number	Address	Page	Ref.	Part Number	Address	Page	Ref.
99000															
99101-124-0550	D15	47	19												
99101-124-0580	D15	47	19												
99101-124-0600	D15	47	19												
99101-124-0620	D15	47	19												
99101-124-0650	D15	47	19												

3

## PART NAME INDEX

11

Part name	Address	Page	Ref.	Part name	Address	Page	Ref.	Part name	Address	Page	Ref.
[ A ]											
ALERT UNIT, OIL .....	E13	61	4	BOLT, FLANGE, 6X79 .....	E4	52	6	CORD, STOP SWITCH.....	E11	59	5
ARM, EX. VALVE ROCKER .....	D9	41	5	BOLT, FLANGE, 6X86 .....	E3	51	7		E12	60	9
ARM, GOVERNOR .....	E16	64	2	BOLT, FUEL TANK STUD .....	E9	57	16		E13	61	3
	F2	66	2	BOLT, GOVERNOR ARM .....	F1	65	17	CORD, TERMINAL EARTH.....	E15	63	2
	F6	70	2		F4	68	17	COVER ASSY., CRANKCASE.....	D3	35	1
	F8	72	2		F6	70	19	COVER COMP., BREATHER.....	D2	34	4
	F10	74	2		F8	72	19	COVER, AIR CLEANER.....	E1	49	5
	F12	76	2		F11	75	19		E2	50	5
	F13	77	1		F12	76	14		E3	51	6
	F14	78	2		F13	77	12	COVER, FAN.....	D13	45	1
ARM, IN. VALVE ROCKER .....	D9	41	4	BOLT, SPECIAL, 6MM .....	E15	63	3	COVER, HEAD.....	D2	34	3
ARRESTER COMP., SPARK .....	E5	53	10	BOLT, STUD .....	D13	45	2	CRANKSHAFT COMP. ....	D7	39	1
				BOLT, STUD, 6X82 .....	E2	50	6				
[ B ]				[ C ]							
BARREL ASSY., CYLINDER .....	D1	33	1	CAP ASSY., FUEL TANK .....	E7	55	10				
BASE COMP., CONTROL .....	F1	65	10		E8	56	10				
	F3	67	10	CAP, MUFFLER .....	G4	84	11				
	F6	70	10		F4	52	3	CUSHION, RR. FENDER.....	E9	57	15
	F8	72	11		G5	85	21				
	F10	74	10	CAP, SEALING .....	D6	38	23				
	F12	76	9		D15	47	21				
	F15	79	11	CARBURETOR ASSY. ....	D14	46	8				
BASE, CONTROL .....	F13	77	5		D15	47	8				
BEARING, RADIAL BALL, 62/28 ..	D5	37	14	CASE ASSY., AIR CLEANER .....	E2	50	3				
BELT, TIMING .....	D9	41	5		E3	51	4				
BOLT, WASHER, 6X25 .....	E9	57	19	CASE COMP., AIR CLEANER .....	D16	48	3	DEFLECTOR COMP., MUFFLER.....	E4	52	4
BOLT, CONNECTING ROD .....	D8	40	5	CHAMBER SET, FLOAT .....	D14	46	3	DOWEL PIN, 8X20 .....	D6	38	19
BOLT, DRAIN PLUG, 12X15 .....	D5	37	11	CIRCLIP, 5MM .....	F9	73	22				
BOLT, FLANGE, 6X112 .....	E1	49	6		F11	75	22				
BOLT, FLANGE, 6X12 .....	D2	34	5	CLAMPER, CORD .....	E13	61	2				
	E4	52	7	CLAMPER, STOP SWITCH CORD .....	E13	61	1				
	E13	61	7	CLIP A, CABLE .....	F13	77	13				
	F1	65	15	CLIP D, SPEEDOMETER CABLE .....	E12	60	10				
	F4	68	15	CLIP, BRAKE PIPE .....	E12	60	6				
	F6	70	17	CLIP, GOVERNOR HOLDER .....	D5	37	13				
	F8	72	17	CLIP, PISTON PIN, 13MM .....	D8	40	6				
	F10	74	17	CLIP, TUBE .....	D15	47	17				
	F12	76	12		E9	57	23	FLOAT SET.....	D14	46	2
	F13	77	10		E10	58	24	FLYWHEEL ASSY. ....	E11	59	3
	F15	79	16			25		FLYWHEEL COMP. ....	E11	59	4
	G5	85	14			26			E12	60	12
BOLT, FLANGE, 6X14 .....	D2	34	6			26					
	D6	38	21			17					
	E13	61	8	COCK ASSY., FUEL .....	G4	84	10				
	F1	65	16	COIL ASSY., IGNITION .....	G5	85	18	GASKET, MUFFLER.....	E5	53	9
	F4	68	16	COLLAR, 14X6.1 .....	E9	57	18	GAUGE ASSY., OIL LEVEL.....	D4	36	3
	F6	70	18	COLLAR, 6.6X13.8X14.5 .....	E14	62	11		D5	37	3
	F8	72	18	COLLAR, FR. COVER SETTING .....	E7	55	8	GOVERNOR ASSY. ....	D5	37	4
	F10	74	18	CONTROL ASSY. ....	E16	64	1	GRIP, STARTER.....	D12	44	2
	F12	76	13		F2	66	1	GROMMET, CHOKE ROD .....	F1	65	12
	F13	77	11		F6	70	1		F3	67	12
	F16	80	17		F8	72	1		F6	70	13
BOLT, FLANGE, 6X20 .....	E12	60	7		F8	72	1		F8	72	14
BOLT, FLANGE, 6X25 .....	D5	37	10		F10	74	1		F10	74	13
BOLT, FLANGE, 6X28 .....	E13	61	9		F12	76	1		F13	77	7
BOLT, FLANGE, 6X35 .....	E3	51	8		F14	78	1		F15	79	13
									G4	84	3



## PART NAME INDEX

12

Part name	Address	Page	Ref.	Part name	Address	Page	Ref.	Part name	Address	Page	Ref.
GUIDE COMP., AIR .....	D15	47	15	[ N ]				PUMP ASSY., FUEL .....	E6	54	1
[ H ]				NOZZLE, MAIN .....	D15	47	10		G5	85	19
HOLDER, CABLE .....	F3	67	8	NUT, FLANGE, 6MM .....	D13	45	3	[ R ]			
	F8	72	9		E2	50	7	RETAINER, IN. VALVE SPRING .....	D9	41	10
	F10	74	8		E9	57	21	RETAINER, VALVE SPRING .....	D9	41	10
	F15	79	9		F1	65	20	RING SET, PISTON .....	D8	40	1
HOLDER, STOP SWITCH CORD .....	E12	60	6		F5	69	22	ROD ASSY., CONNECTING .....	D8	40	4
	E14	62	12		F7	71	24	ROD, CHOKE CONTROL .....	F1	65	11
HOLDER, WIRE .....	F8	72	15		F9	73	25		F3	67	11
	F10	74	14		F11	75	26		F6	70	12
[ I ]					F12	76	18		F8	72	13
INSULATOR, CARBURETOR .....	D15	47	11		F13	77	14		F10	74	12
					G1	81	23		F13	77	6
[ J ]				NUT, SELF-LOCK, 6MM .....	F1	65	18	ROD, CONTROL LEVER .....	G4	84	2
JET, MAIN .....	D15	47	19		F4	68	18		F15	79	12
JOINT, FUEL TUBE .....	E7	55	7		F7	71	21	ROD, GOVERNOR .....	G4	84	2
[ K ]					F8	72	20		F15	79	8
KEY, 4.78X4.78X38 .....	D7	39	11		F11	75	20		E16	64	3
KEY, SPECIAL WOODRUFF, 25X18 .....	E11	59	1	NUT, SPECIAL, 14MM .....	F12	76	16		F2	66	3
[ L ]				NUT, TAPPET ADJUSTING .....	F16	80	19		F6	70	3
LABEL, E-SPEC .....	G3	83	12		E12	60	8		F8	72	3
LABEL, SPECIFICATION .....	G2	82	2	[ O ]	D10	42	12		F10	74	3
LEVER, CONTROL .....	F1	65	6	OIL SEAL, 25.4X62X6 .....	D2	34	7	ROPE, RECOIL STARTER .....	F12	76	3
	F3	67	6	OIL SEAL, 28X41.25X6 .....	D5	37	15		F13	77	2
	F6	70	6	O-RING, 11.8X2.4 .....	E14	62	10		F14	78	3
	F8	72	6	O-RING, 22.5X2.2 .....	D6	38	22	RUBBER, SUPPORTER .....	D12	44	3
	F10	74	6	O-RING, 6.8X1.9 .....	D10	42	13		E7	55	6
	F12	76	6	[ P ]					E6	54	2
	F15	79	6	PACKING SET .....	D14	46	1	[ S ]	G4	84	9
LEVER, STOP .....	F6	70	14	PACKING, AIR CLEANER .....	E1	49	4	SCREW-WASHER, 4X12 .....	F1	65	19
[ M ]					E2	50	4		F5	69	21
MARK .....	G3	83	14	PACKING, CARBURETOR .....	D15	47	13		F7	71	23
MARK A, COMBINATION .....	G2	82	4		E3	51	5	SCREW-WASHER, 5X14 .....	F11	75	25
MARK B, COMBINATION .....	G2	82	5	PACKING, INSULATOR .....	D15	47	12		G1	81	22
MARK, CHOKE .....	G3	83	6	PACKING, OIL FILLER CAP .....	D4	36	2	SCREW-WASHER, 5X8 .....	E9	57	20
MARK, ENGINE SWITCH INDICATION	G2	82	3	PIN, LOCK, 8MM .....	D6	38	18	SCREW-WASHER, 5X8 .....	E12	60	11
	G3	83	10	PIN, PISTON .....	D8	40	3	SCREW SET .....	D14	46	6
MARK, HONDA .....	G4	84	13	PISTON .....	D8	40	2	SCREW SET, DRAIN .....	D14	46	5
MARK, OIL ALERT .....	G3	83	7	PLATE, ARRESTER NUMBER .....	E5	53	11	SCREW, ADJUST .....	F7	71	20
				PLATE, SIDE .....	F1	65	13		F12	76	15
MARK, THROTTLE INDICATION .....	G3	83	8	PLUG, SPARK .....	F3	67	13	SCREW, PAN, 4X6 .....	F9	73	23
MARK, TYPE .....	G3	83	13	PROTECTOR, MUFFLER .....	F6	70	15		F11	75	23
MOTOR ASSY., STARTING .....	E15	63	1	PROTECTOR, SWITCH .....	F8	72	16	SCREW, PAN, 4X8 .....	G4	84	8
MUFFLER COMP. ....	E4	52	1	PULLEY COMP., CAMSHAFT .....	F10	74	15	SCREW, PAN, 5X16 .....	F5	69	20
					F12	76	11		F9	73	24
					F13	77	8		F11	75	24
					F15	79	14		F16	80	21
					D2	34	8	SCREW, PAN, 5X6 .....	D15	47	16
					E4	52	2	SCREW, PAN, 5X8 .....	E15	63	4
					E13	61	5	SCREW, TAPPET ADJUSTING .....	D9	41	11
					D9	41	1	SCREW, TAPPING, 4X6 .....	E5	53	8



### PART NAME INDEX

13

Part name	Address	Page	Ref.	Part name	Address	Page	Ref.	Part name	Address	Page	Ref.
SCREW, TAPPING, 4X6 .....	E5	53	12	[ T ]							
	G5	85	22	TANK, FUEL .....	E7	55	5				
SEAL, VALVE STEM .....	D10	42	14	TUBE, BREATHER .....	D16	48	1				
SHAFT, CAM PULLEY .....	D9	41	2		E3	51	1				
SHAFT, GOVERNOR ARM .....	D5	37	9		G4	84	1				
SHAFT, P.T.O. ....	D7	39	8	TUBE, DIAPHRAGM .....	E7	55	3				
SHAFT, ROCKER ARM .....	D9	41	6		G5	85	20				
SHROUD, MUFFLER .....	E4	52	5	TUBE, FUEL .....	E8	56	12				
SLIDER, GOVERNOR .....	D5	37	8								
SPACER, CARBURETOR .....	E2	50	1								
	F1	51	2								
SPACER, CONTROL LEVER .....	F3	65	9	TUBE, FUEL PUMP .....	G4	84	13				
	F5	67	9		E10	58	29				
	F6	70	9	TUBE, FUEL RETURN .....	E8	56	14				
	F8	72	10	TUBE, FUEL TANK .....	E8	56	11				
	F10	74	9		E10	58	30				
	F12	76	8	TUBE, FUEL, 4.5X140 .....	G5	85	15				
	F15	79	10	TUBE, FUEL, 5.3X33 .....	E9	57	22				
SPRING, CONTROL ADJUSTING ....	F6	70	11	TUBE, VINYL, 4X7X150 .....	D15	47	18				
	F12	76	10								
SPRING, CONTROL LEVER RETURN ..	F8	72	12	[ V ]							
	F10	74	11	VALVE COMP., FLOAT .....	D15	47	9				
SPRING, GOVERNOR .....	E16	64	4	VALVE, EX. ....	D9	41	8				
	F2	66	4	VALVE, IN. ....	D9	41	7				
	F6	70	4								
	F8	72	4	[ W ]							
	F10	74	4	WASHER, 12.5MM .....	F4	68	19				
	F12	76	4		F9	73	21				
	F13	77	3		F11	75	21				
	F14	78	4		F12	76	17				
SPRING, LEVER .....	F1	65	7		F16	80	20				
	F6	70	7	WASHER, 6MM .....	E9	57	17				
SPRING, THROTTLE RETURN .....	E16	64	5		G4	84	5				
	F2	66	5	WASHER, CONTROL LEVER .....	F1	65	8				
	F3	67	5		F3	67	7				
	F6	70	5		F6	70	8				
	F8	72	5		F8	72	7				
	F10	74	5		F10	74	7				
	F12	76	5		F12	76	7				
	F13	77	4		F15	79	7				
	F14	78	5	WASHER, DRAIN PLUG, 12MM .....	D6	38	17				
SPRING, VALVE .....	D9	41	9	WASHER, PLAIN, 4MM .....	F1	65	21				
STARTER ASSY., RECOIL .....	D11	43	1		F5	69	23				
	D12	44	1		F7	71	25				
STAY A, FUEL TANK .....	E7	55	9		F11	75	27				
STRAINER COMP., FUEL .....	E10	58	27		G1	81	24				
	G4	84	7	WASHER, PLAIN, 6MM .....	D5	37	16				
STRAINER, FUEL .....	E7	55	4	WASHER, THRUST .....	D7	39	4				
SUSPENSION, STRAINER .....	E10	58	28	WASHER, THRUST, 6MM .....	D5	37	12				
SWITCH ASSY., ENGINE STOP ....	F1	65	14	WASHER, WHEEL, 6MM .....	F7	71	22				
	F3	67	14								
	F6	70	16								
	F10	74	16								
	F13	77	9								
	F15	79	15								
SWITCH COMP., OIL LEVEL .....	E13	61	6								

4

---

**1**

FOREWORD INDEX

---

**2**

ENGINE GROUP

---

**3**

PART NUMBER INDEX

---

**4**

PART NAME INDEX

---

**HONDA**  
The Power of Dreams

E.O A 130.2004.01

Published by Honda Motor Co., Ltd.  
Printed in Japan



February 08, 2004



# PARTS CATALOGUE NEWS

Honda Motor Co., Ltd. Service Division

## PARTS CATALOGUE - CORRECTED

Printed in Japan

CODE NO.	BOOKLET TYPE	13ZL80E5
	MICRO-FICHE	13ZL80EE/FE/GE
PARTS CATALOGUE NEWS	GC135 GC135E GC160 GC160A GC160E	
NEWS NO.	001	

Block No.	Ref. No.	Note	Part No.	Description	Reqd. QTY					Serial No.	Parts catalogue code	
					GC 135	GC 135E	GC 160	GC 160A	GC 160E			
E-15	2	T	17211-ZL8-003	ELEMENT, AIR CLEANER .....	1	1	-	1	-	-----	-----	PHA, QBC, QFC, QFJ, QHA, QHAJ, QHA1, QHC, QHE, QHEB, QHEP, QHET, QHE1, QHE2, QHE3, QHE5, QHM, QHP7, QHU, SHE, SHE1, SHE6, SHJ, SHJ4, VHE, VHJ, VX, VXA, VXC, VXE, VXJ, VXU, WHE, WHJ, WKT2, WME1, WME2, WXE
					1	-	-	1	-	-----	-----	PXC, QHC1, SHJ1, VHC, WXJ
					-	1	-	-	-	-----	-----	PXU, QHA2, QHE4, VHA
					-	-	1	-	1			
	E		17211-ZL8-013	*PARTS NO. DELETION								
E-15-2	3	T	17211-ZL8-003	ELEMENT, AIR CLEANER .....	1	-	-	1	-	-----	-----	VXP5
	E		17211-ZL8-013	*PARTS NO. DELETION								

NOTE A:PART NO. CHANGE D:NEWLY PROVIDED E:PART NO. DELETION K:REQUIRED NO. CORRECTION L:APPLICATION SERIAL NO. CORRECTION  
T:APPLICATION CORRECTION Z:REMARKS CHANGE

March 21, 2004



## PARTS CATALOGUE NEWS

Honda Motor Co., Ltd. Service Division

CODE NO.	BOOKLET TYPE	13ZL80E5
	MICRO- FICHE	13ZL80EE/FE
PARTS CATALOGUE NEWS	GC135 GC135E GC160 GC160A GC160E	
NEWS NO.	002	

Printed in Japan

### GC160A-DEAF,QEA,QEAF,QEA2,VXC and GC135E-QHA types sales parts information

NOTE: This Parts Catalogue News explains only the parts of the different model that are produced to conform to addition of the GC160A-DEAF,QEA,QEAF,QEA2,VXC and GC135E-QHA types.

As for the parts not listed on this Parts Catalogue News,  
use the parts of the GC160A-DHAF,QHA,QHAF,QHA2,VXA and GC135E-QHE types.

NOTE A:PART NO. CHANGE D:NEWLY PROVIDED E:PART NO. DELETION K:REQUIRED NO. CORRECTION L:APPLICATION SERIAL NO. CORRECTION  
T:APPLICATION CORRECTION Z:REMARKS CHANGE

Model	Type		Parts catalogue type	Applicable engine serial No.	Applicable carburetor identification No.
GC160A	DHAF	Base model	DHAF	GCAHA-1000001~	BB61B C
	DEAF	Additional model	DEAF	GCAHA-8000001~	
	QHA	Base model	QHA	GCAHA-1000001~	
	QEA	Additional model	QEA	GCAHA-8000001~	
	QHAF	Base model	QHAF	GCAHA-1000001~	
	QEAF	Additional model	QEAF	GCAHA-8000001~	
	QHA2	Base model	QHA2	GCAHA-1000001~	
	QEA2	Additional model	QEA2	GCAHA-8000001~	
	VXA	Base model	VXA	GCAHA-1000001~	
	VXC	Additional model	VXC		
GC135E	QHE	Base model	QHE	GCAAE-1000001~	BB63B B
	QHA	Additional model	QHA		

NOTE A:PART NO. CHANGE D:NEWLY PROVIDED E:PART NO. DELETION K:REQUIRED NO. CORRECTION L:APPLICATION SERIAL NO. CORRECTION  
T:APPLICATION CORRECTION Z:REMARKS CHANGE

BOOKNo. :13ZL80E5

PARTS CATALOGUE NEWS

Block No.	Ref. No.	Part No.	Description	Reqd. QTY					Base Part No.	Parts catalogue code
				GC 135	GC 135E	GC 160	GC 160A	GC 160E		
E-3	1	12000-ZL8-405	BARREL ASSY., CYLINDER	-	-	1	-	-	12000-ZL8-415	DEAF, QEA, QEAF, QEA2
E-6	1	11300-ZL8-601	COVER ASSY., CRANKCASE	-	-	1	-	-		DEAF, QEA, QEAF, QEA2
				-	-	1	-	-		
	11	90131-883-000	BOLT, DRAIN PLUG, 12X15	-	-	2	-	-		VXC
	17	94109-12000	WASHER, DRAIN PLUG, 12MM	-	-	2	-	-		VXC
E-9	4	14431-ZOJ-000	ARM, IN. VALVE ROCKER	-	-	1	-	-	14431-ZL8-000	
	5	14441-ZOJ-000	ARM, EX. VALVE ROCKER	-	-	1	-	-	14441-ZL8-000	
	7	14711-ZOJ-000	VALVE, IN.	-	-	1	-	-	14711-ZL8-000	VXC
	10	14771-ZOJ-000	RETAINER, VALVE SPRING	-	-	2	-	-	14771-ZE1-000	
E-11	1	28400-ZL8-013ZC	STARTER ASSY., RECOIL *R280*..... POWER RED	-	-	1	-	-		
E-12	1	19611-ZL8-000ZC	COVER, FAN *R280*..... POWER RED	-	-	1	-	-		VXC
		19611-ZOJ-820ZA	*NH1*..... BLACK	-	-	1	-	-	19611-ZL8-000ZA	DEAF, QEA, QEAF, QEA2
		19611-ZOJ-820ZB	*R280*..... POWER RED	-	-	1	-	-		DEAF, QEA, QEAF, QEA2
E-15	2	17211-ZL8-013	ELEMENT, AIR CLEANER	-	-	1	1	-	17211-ZL8-003	
	5	17231-ZOJ-020	COVER, AIR CLEANER	-	-	1	-	-	17231-ZL8-020	QEA, QEA2, VXC
E-16	2	18321-ZOL-000	PROTECTOR, MUFFLER	-	-	1	-	-	18321-ZL8-000	
	7		BOLT, FLANGE, 6X12 (CT200)	-	-	0	0	-	90013-883-000	
	10		ARRESTER COMP., SPARK	-	-	(0)	-	-	18350-ZL8-000	DEAF, QEA, QEAF
		18350-ZL8-000	.....	-	-	(1)	-	-		
		18350-ZL8-000	.....	-	-	(1)	-	-	18350-ZL8-000	VXC
	11		PLATE, ARRESTER NUMBER	-	-	(0)	-	-	18356-ZL8-000	DEAF, QEA, QEAF
		18356-ZL8-000	.....	-	-	(1)	-	-		

NOTE A:PART NO. CHANGE D:NEWLY PROVIDED E:PART NO. DELETION K:REQUIRED NO. CORRECTION L:APPLICATION SERIAL NO. CORRECTION  
T:APPLICATION CORRECTION Z:REMARKS CHANGE

## PARTS CATALOGUE NEWS

BOOKNo. :13ZL80E5

Block No.	Ref. No.	Part No.	Description	Reqd. QTY					Base Part No.	Parts catalogue code
				GC 135	GC 135E	GC 160	GC 160A	GC 160E		
		18356-ZL8-000	.....	-	-	(1)	-	-	18356-ZL8-000	VXC
	12		SCREW, TAPPING, 4X6 .....	-	-	(0)	-	-	90055-ZE1-000	DEAF, QEA, QEAF
		90055-ZE1-000	.....	-	-	-	(1)	-		
		90055-ZE1-000	.....	-	-	(1)	-	-	90055-ZE1-000	VXC
E-19	4		FLYWHEEL COMP. ....	-	-	0	-	-	31110-Z0J-013	DEAF, QEA, QEAF, QEA2
	5	32195-Z0J-000	CORD, STOP SWITCH .....	-	-	1	-	-	32195-ZL8-000	QEA, QEA2
		32195-Z0J-810	.....	-	-	1	-	-		VXC
	12	31110-Z0L-831	FLYWHEEL COMP. ....	-	-	1	-	-		DEAF, QEA, QEAF, QEA2
E-19-10	3		CORD, STOP SWITCH .....	-	-	0	-	-	32195-ZL8-810	VXC
	4	34150-ZL8-003	ALERT UNIT, OIL .....	-	-	1	-	-	34150-ZH7-003	VXC
	12	36103-ZE1-000	HOLDER, STOP SWITCH CORD .....	-	-	1	-	-		QEA, QEA2
			.....	-	-	-	1	-		
E-21	1	31200-Z0L-821	MOTOR ASSY., STARTING .....	-	-	1	-	-		DEAF, QEA, QEAF, QEA2
	2	32222-Z0L-830	CORD, TERMINAL EARTH .....	-	-	1	-	-		DEAF, QEA, QEAF, QEA2
	3	90001-Z0L-820	BOLT, SPECIAL, 6MM .....	-	-	2	-	-		DEAF, QEA, QEAF, QEA2
	4	93500 05008 OA	SCREW, PAN, 5X8 .....				1			DEAF, QEA, QEAF, QEA2
E-22	4	16561-ZL8-000	SPRING, GOVERNOR .....	-	-	1	-	-	16561-Z0J-000	QEA, QEA2
E-22-2	24	94050-06000	NUT, FLANGE, 6MM .....	-	-	2	-	-	94050-06000	VXC
E-22-6	3	16561-ZL8-000	SPRING, GOVERNOR .....	-	-	1	-	-	16561-Z0J-000	DEAF, QEAF
E-28	1	87101-ZL8-010	EMBLEM (GCT60 5.0) .....	-	-	1	-	-	87101-ZL8-000	
	7	87530-ZL8-820	MARK, OIL ALERT (FRENCH) .....	-	-	1	-	-		VXC
	12		LABEL, E-SPEC (15.5X27.5) .....	-	-	-	0	-	87135-ZE2-020	

NOTE A:PART NO. CHANGE D:NEWLY PROVIDED E:PART NO. DELETION K:REQUIRED NO. CORRECTION L:APPLICATION SERIAL NO. CORRECTION  
T:APPLICATION CORRECTION Z:REMARKS CHANGE

April 18, 2004



# PARTS CATALOGUE NEWS

Honda Motor Co., Ltd. Service Division

## PARTS CATALOGUE - CORRECTED

Printed in Japan

CODE NO.	BOOKLET TYPE	13ZL80E5
	MICRO-FICHE	13ZL80EE/FE/GE
PARTS CATALOGUE NEWS	GC135 GC135E GC160 GC160A GC160E	
NEWS NO.	003	

Block No.	Ref. No.	Note	Part No.	Description	Reqd. QTY					Serial No.	Parts catalogue code
					GC135	GC135E	GC160	GC160A	GC160E		
E-22-7	4	T	16561-ZL8-V31	SPRING, GOVERNOR .....	1	-	-	-	-	1266191	OHEB
					-	1	-	-	-	-----	OHP7
		T	16561-ZL9-V20	.....	1	-	-	-	1308265	OHP7	
					-	-	-	1	1	-----	OHEB, OHP7

NOTE A:PART NO. CHANGE D:NEWLY PROVIDED E:PART NO. DELETION K:REQUIRED NO. CORRECTION L:APPLICATION SERIAL NO. CORRECTION  
T:APPLICATION CORRECTION Z:REMARKS CHANGE

April 25, 2004



## PARTS CATALOGUE NEWS

Honda Motor Co., Ltd. Service Division

### PARTS CATALOGUE - CORRECTED

Printed in Japan

CODE NO.	BOOKLET TYPE	13ZL80E5
	MICRO-FICHE	13ZL80EE/FE
PARTS CATALOGUE NEWS	GC135 GC135E GC160 GC160A GC160E	
NEWS NO.	004	

Block No.	Ref. No.	Note	Part No.	Description	Reqd. QTY					Serial No.	Parts catalogue code
					60 135	60 135E	60 160	60 160A	60 160E		
E-28	13	E	87601-Z0J-E40	*PARTS NO. DELETION							

NOTE A:PART NO. CHANGE D:NEWLY PROVIDED E:PART NO. DELETION K:REQUIRED NO. CORRECTION L:APPLICATION SERIAL NO. CORRECTION  
T:APPLICATION CORRECTION Z:REMARKS CHANGE

July 18, 2004



## PARTS CATALOGUE NEWS

Honda Motor Co., Ltd. Service Division

### PARTS CATALOGUE - CORRECTED

Printed in Japan

CODE NO.	BOOKLET TYPE	13ZL80E5
	MICRO-FICHE	13ZL80EE/FE
PARTS CATALOGUE NEWS	GC135 GC160 GC160A GC135E GC160E	
NEWS NO.	005	

These typographical errors News No.001, 002, 003 and 004 should be corrected as shown below.

	Reqd. QTY										
NG	<table style="width: 100%; border-collapse: collapse;"> <tr> <td style="text-align: center;">GC</td> <td style="text-align: center;">GC</td> <td style="text-align: center;">GC</td> <td style="text-align: center;">GC</td> <td style="text-align: center;">GC</td> </tr> <tr> <td style="text-align: center;">135</td> <td style="text-align: center;">135E</td> <td style="text-align: center;">160</td> <td style="text-align: center;">160A</td> <td style="text-align: center;">160E</td> </tr> </table>	GC	GC	GC	GC	GC	135	135E	160	160A	160E
GC	GC	GC	GC	GC							
135	135E	160	160A	160E							
	Reqd. QTY										
OK	<table style="width: 100%; border-collapse: collapse;"> <tr> <td style="text-align: center;">GC</td> <td style="text-align: center;">GC</td> <td style="text-align: center;">GC</td> <td style="text-align: center;">GC</td> <td style="text-align: center;">GC</td> </tr> <tr> <td style="text-align: center;">135</td> <td style="text-align: center;">160</td> <td style="text-align: center;">160A</td> <td style="text-align: center;">135E</td> <td style="text-align: center;">160E</td> </tr> </table>	GC	GC	GC	GC	GC	135	160	160A	135E	160E
GC	GC	GC	GC	GC							
135	160	160A	135E	160E							

NOTE A:PART NO. CHANGE D:NEWLY PROVIDED E:PART NO. DELETION K:REQUIRED NO. CORRECTION L:APPLICATION SERIAL NO. CORRECTION  
T:APPLICATION CORRECTION Z:REMARKS CHANGE



July 18, 2004



# PARTS CATALOGUE NEWS

Honda Motor Co., Ltd. Service Division

## PARTS CATALOGUE - CORRECTED

Printed in Japan

CODE NO.	BOOKLET TYPE	13ZL80E5
	MICRO-FICHE	13ZL80EE/FE
PARTS CATALOGUE NEWS	GC135 GC160 GC160A GC135E GC160E	
NEWS NO.	006	

Block No.	Ref. No.	Note	Part No.	Description	Reqd. QTY					Serial No.	Parts catalogue code
					GC135	GC160	GC160A	GC135E	GC160E		
E-9	7	T	14711-ZL8-000	VALVE, IN. ....	1	1	-	-	-		
		D	14711-Z0J-000	.....	-	-	1	1	1		

NOTE A:PART NO. CHANGE D:NEWLY PROVIDED E:PART NO. DELETION K:REQUIRED NO. CORRECTION L:APPLICATION SERIAL NO. CORRECTION  
T:APPLICATION CORRECTION Z:REMARKS CHANGE

November 21, 2004



# PARTS CATALOGUE NEWS

Honda Motor Co., Ltd. Service Division

## PARTS CATALOGUE - CORRECTED

Printed in Japan

CODE NO.	BOOKLET TYPE	13ZL80E5
	MICRO-FICHE	13ZL80EE/FE
PARTS CATALOGUE NEWS	GC135 GC160 GC160A GC135E GC160E	
NEWS NO.	007	

Block No.	Ref. No.	Note	Part No.	Description	Reqd. QTY					Serial No.	Parts catalogue code
					GC135	GC160	GC160A	GC135E	GC160E		
E-14	9	L	16155-ZL8-003	VALVE COMP., FLOAT .....	1	1	-	-	-		
				(CARBURETOR NO.)	-	-	1	-	1	-----	BB61B C
				(CARBURETOR NO.)	-	-	-	1	-	-----	BB63B B
	A		16155-ZL8-013	.....							
				(CARBURETOR NO.)	-	-	1	-	1	BB61B D	
				(CARBURETOR NO.)	-	-	-	1	-	BB63B C	

NOTE A:PART NO. CHANGE D:NEWLY PROVIDED E:PART NO. DELETION K:REQUIRED NO. CORRECTION L:APPLICATION SERIAL NO. CORRECTION  
T:APPLICATION CORRECTION Z:REMARKS CHANGE

January 16, 2005



# PARTS CATALOGUE NEWS

Honda Motor Co., Ltd. Service Division

## PARTS CATALOGUE - CORRECTED

Printed in Japan

CODE NO.	BOOKLET TYPE	13ZL80E5
	MICRO-FICHE	13ZL80EE/FE
PARTS CATALOGUE TITLE	GC135 GC160 GC160A GC135E GC160E	
NEWS NO.	008	

Block No.	Ref. No.	Note	Part No.	Description	Reqd. QTY					Serial No.	Parts catalogue code					
					GC 135	GC 160	GC 160A	GC 135E	GC 160E							
E-11	1	T	28400-ZL8-013ZA	STARTER ASSY., RECOIL *NH1*..... BLACK	1	1						QBC, QFC, QFJ, QHET, QHM, QHP7, SHJ4, VXP4, VXP5, WKT2				
					1	-	-	-	-	1077763	-----	PHA, PHC, PHD, PHU, PXA, PXC, PXD, PXU, QHA, QHA1, QHA2 QHC, QHC1, QHE, QHEB, QHEP, QHE1, QHE2, QHE3, QHE4 QHE5, QHU, QHU1, SHE, SHE1, SHE2, SHE3, SHE4, SHE5 SHE6, SHJ, SHJ1, VHA, VHC, VHE, VHJ, VHU, VXA, VXC, VXD VXE, VXJ, VXU, WHE, WHJ, WME1, WME2, WXE, WXJ				
					-	1	-	-	-	1210408	-----	PHA, PHC, PHD, PHU, PXA, PXC, PXD, PXU, QHA, QHA1, QHA2 QHC, QHC1, QHE, QHEB, QHEP, QHE1, QHE2, QHE3, QHE4 QHE5, QHU, QHU1, SHE, SHE1, SHE3, SHE4, SHE5, SHE6, SHJ SHJ1, VHA, VHC, VHE, VHJ, VHU, VX, VXA, VXC, VXE, VXJ VXU, WHE, WHJ, WME1, WME2, WXE, WXJ				
										-----	1245479	-----	QHE1, SHE, SHE1			
										1	-	-	-	1077763	1245479	QHE, QHEB, QHEP, SHE6, VXE
										-	1	-	-	-----	-----	PHC, PXA, PXC, QHC1, SHJ1, VHC, WXJ
					-	1	-	-	-----	1804973	-----	PHA, PXU, QHA, QHA1, QHA2, QHC, QHE1, QHE2, QHE3, QHE4 QHU, SHJ, VHA, VHJ, VX, VXA, VXC, VXJ, VXU, WHE, WHJ, WXE				
					-	1	-	-	-----	1210408	1804973	QHE, QHEB, QHEP, QHE5, SHE, SHE1, SHE6, VHE, VXE				
		T	28400-ZL8-013ZB	*R8*..... BRIGHT RED	1	-	-	-	-----	1245479	-----	QHE1, SHE, SHE1				
					1	-	-	-	-----	1077763	1245479	QHE, QHEB, QHEP, SHE6, VXE				
					-	1	-	-	-----	-----	-----	PHC, PXA, PXC, QHC1, SHJ1, VHC, WXJ				
					-	1	-	-	-----	1804973	-----	PHA, PXU, QHA, QHA1, QHA2, QHC, QHE1, QHE2, QHE3, QHE4 QHU, SHJ, VHA, VHJ, VX, VXA, VXC, VXJ, VXU, WHE, WHJ, WXE				
					-	1	-	-	-----	1210408	1804973	QHE, QHEB, QHEP, QHE5, SHE, SHE1, SHE6, VHE, VXE				

NOTE A:PART NO. CHANGE D:NEWLY PROVIDED E:PART NO. DELETION K:REQUIRED NO. CORRECTION L:APPLICATION SERIAL NO. CORRECTION  
T:APPLICATION CORRECTION Z:REMARKS CHANGE

PARTS CATALOGUE NEWS

BOOKNo. :13ZL80E5

Block No.	Ref. No.	Note	Part No.	Description	Reqd. QTY						Serial No.	Parts catalogue code
					GC 135	GC 160	GC 160A	GC 135E	GC 160E			
		T	28400-ZM0-013ZA	*NH1*..... BLACK	-	1	-	-	-	-	-----	QHAJ
		T	28400-ZL8-013ZC	*R280*..... POWER RED	1	1	-	-	-	-	-----	QHP7
					1	-	-	-	-	-	1245480	QHE, QHEB, QHEP, QHE1, SHE, SHE1, SHE6, VXE
					-	1	-	-	-	-	1804974	PHA, PXU, QHA, QHA1, QHA2, QHC, QHE, QHEB, QHEP, QHE1, QHE2, QHE3, QHE4, QHE5, QHU, SHE, SHE1, SHE6, SHJ, VHA, VHE, VHJ, VX, VXA, VXC, VXE, VXJ, VXU, WHE, WHJ, WXE
		A	28400-ZL8-023ZA	*NH1*..... BLACK	-	-	1	-	-	-	-----	DEAF, DHAF, MEA2, MHA2, PHA, PXU, QBC, QDE, QEA, QEAF, QEA2, QFC, QHA, QHAF, QHA1, QHA2, QHC, QHE, QHEP, QHET, QHE1, QHE2, QHE4, QHE5, QHU, SHE, SHE1, SHE6, VHA, VXA, VXC, VXE, VXU
					-	-	-	1	1	-	-	-
		A	28400-ZM0-023ZA	*NH1*..... BLACK	-	-	1	-	-	-	-----	QHAJ
		A	28400-ZL8-023ZC	*R280*..... POWER RED	-	-	1	-	-	-	-----	DEAF, MEA2, QEA, QEAF, QEA2, QHE, QHEB, QHEP, QHE2, QHE5, SHE, SHE1, SHE6, VXC, VXE
					-	-	-	1	1	-	-	-

NOTE A:PART NO. CHANGE D:NEWLY PROVIDED E:PART NO. DELETION K:REQUIRED NO. CORRECTION L:APPLICATION SERIAL NO. CORRECTION  
T:APPLICATION CORRECTION Z:REMARKS CHANGE



# PARTS CATALOGUE NEWS

Honda Motor Co., Ltd. Service Division

## PARTS CATALOGUE - CORRECTED

Printed in Japan

February 06, 2005

CODE NO.	BOOKLET TYPE	13ZL80E5
	MICRO-FICHE	13ZL80EE/FE
PARTS CATALOGUE TITLE	GC135 GC160 GC160A GC135E GC160E	
NEWS NO.	009	

Block No.	Ref. No.	Note	Part No.	Description	Reqd. QTY					Serial No.	Parts catalogue code	
					GC 135	GC 160	GC 160A	GC 135E	GC 160E			
E-17	1	T	16700-ZL8-013	PUMP ASSY., FUEL .....	1	1	-	1	-	-----	OHP7	
					1	-	-	-	-	1257083	-----	PHA, PXC, QFC, QFJ, QHA, QHA1, QHC, QHC1, QHE, QHEB, QHEP, QHE1, QHE2, QHE3, QHE5, QHU, SHE, SHE1, SHE5, SHE6, SHJ, SHJ1, SHJ4, VHA, VHC, VHE, VHJ, VHU, VXA, VXC, VXE, VXP5, VXU, WHE, WHJ, WKT2, WME1, WME2, WXE, WXJ
					-	1	-	-	-	1825179	-----	PHA, PXU, QBC, QFC, QHA, QHAJ, QHA1, QHA2, QHC, QHE, QHEB, QHEP, QHET, QHE1, QHE2, QHE3, QHE4, QHE5, QHM, QHU, SHE, SHE1, SHE6, SHJ, VHA, VHE, VHJ, VX, VXA, VXC, VXE, VXJ, VXU, WHE, WHJ, WKT2, WME1, WME2, WXE
					-	-	-	1	-	-----	-----	QFJ, QHA, QHE, QHEB, QHEP, QHE1, QHE2, QHE5, QHU, SHE, SHE1, SHE6, SHJ, SHJ1, SHJ4, VXE, VXU, WHJ, WKT2
					-	-	-	-	1			
	A		16700-Z0J-003	.....	-	-	1	-	-			

NOTE A:PART NO. CHANGE D:NEWLY PROVIDED E:PART NO. DELETION K:REQUIRED NO. CORRECTION L:APPLICATION SERIAL NO. CORRECTION  
T:APPLICATION CORRECTION Z:REMARKS CHANGE

February 13, 2005



# PARTS CATALOGUE NEWS

Honda Motor Co., Ltd. Service Division

## PARTS CATALOGUE - CORRECTED

Printed in Japan

CODE NO.	BOOKLET TYPE	13ZL80E5
	MICRO-FICHE	13ZL80EE/FE
PARTS CATALOGUE TITLE	GC135 GC160 GC160A GC135E GC160E	
NEWS NO.	010	

Block No.	Ref. No.	Note	Part No.	Description	Reqd. QTY						Serial No.	Parts catalogue code
					GC 135	GC 160	GC 160A	GC 135E	GC 160E			
E-12	1	T	19611-ZL8-000ZB	COVER, FAN								
				*R8*..... BRIGHT RED	1	-	-	-	-	-	1804973	PHC, PXA, PXG, QHC1, SHJ1, VHC, WXJ
	T	19611-ZL8-000ZC	*R280*..... POWER RED	-	1	-	-	-	-		QHP7	
				-	1	-	-	-	-	1804974	PHA, PXU, QHA, QHA1, QHA2, QHC, QHE, QHEB, QHEP, QHE1, QHE2, QHE3, QHE4, QHE5, QHU, SHE, SHE1, SHE6, SHJ, VHA, VHE, VHJ, VX, VXA, VXC, VXE, VXJ, VXU, WHE, WHJ, WXE	
					-	-	1	-	-		QHE, QHEB, QHEP, QHE2, QHE5, SHE, SHE1, SHE6, VXC, VXE	
					-	-	-	-	1			
E-15	5	E	17231-ZOL-020	*PARTS NO. DELETION								
				D	17231-ZOL-030	COVER, AIR CLEANER .....	-	-	1	-	-	
E-15-2	6	E	17231-ZOL-020	*PARTS NO. DELETION								
				D	17231-ZOL-030	COVER, AIR CLEANER .....	-	-	1	-	-	
E-19	3	E	31105-ZOJ-000	*PARTS NO. DELETION								

NOTE A:PART NO. CHANGE D:NEWLY PROVIDED E:PART NO. DELETION K:REQUIRED NO. CORRECTION L:APPLICATION SERIAL NO. CORRECTION  
T:APPLICATION CORRECTION Z:REMARKS CHANGE

PARTS CATALOGUE NEWS

BOOKNo. :13ZL80E5

Block No.	Ref. No.	Note	Part No.	Description	Reqd. QTY					Serial No.	Parts catalogue code	
					GC 135	GC 160	GC 160A	GC 135E	GC 160E			
		D	31105-Z0J-010	FLYWHEEL ASSY. (PHELON) (USE FOR IGN. COIL OF PHELON)	-	-	1	-	-	-----	-----	QHAJ
E-28	1	T	87101-ZL8-000	EMBLEM (GC160 5.0) .....	-	1	1	-	-	-----	-----	MHA2, PHC, PHD, PHU, PXA, PXC, PXD, QHAF, QHC1, QHU1 SHE3, SHE4, SHE5, SHJ1, VHC, VHU, WXJ
					-	1	-	-	-	-----	1805238	PHA, PXU, QBC, QFC, QHA, QHAJ, QHA1, QHA2, QHC, QHE QHEP, QHET, QHE1, QHE2, QHE3, QHE4, QHE5, QHM, QHU, SHE SHE1, SHE6, SHJ, VHA, VHE, VHJ, VX, VXA, VXC, VXE, VXJ VXU, WHE, WHJ, WK1?, WME1, WME2, WXE
					-	-	1	-	-	-----	-----	PHA, PXU, QBC, QFC, QHA, QHAJ, QHA1, QHA2, QHC, QHE QHEP, QHET, QHE1, QHE2, QHE4, QHE5, QHU, SHE, SHE1 SHE6, VHA, VXA, VXE, VXU
		T	87101-ZL8-010	.....	-	1	1	-	1	-----	-----	DCAF, DHAF, MCA2, QDC, QCA, QCAF, QCA2, QHP7
					-	1	-	-	-	-----	1805239	PHA, PXU, QBC, QFC, QHA, QHAJ, QHA1, QHA2, QHC, QHE QHEP, QHET, QHE1, QHE2, QHE3, QHE4, QHE5, QHM, QHU, SHE SHE1, SHE6, SHJ, VHA, VHE, VHJ, VX, VXA, VXC, VXE, VXJ VXU, WHE, WHJ, WK1?, WME1, WME2, WXE
					-	-	1	-	1	-----	-----	SHJ, VXC, WHJ, WK1?
					-	-	-	-	1	-----	-----	QHA, QHE, QHEP, QHET, QHE1, QHE2, QHE4, QHE5, SHE, SHE1 SHE6, VXA, VXE

NOTE A:PART NO. CHANGE D:NEWLY PROVIDED E:PART NO. DELETION K:REQUIRED NO. CORRECTION L:APPLICATION SERIAL NO. CORRECTION  
T:APPLICATION CORRECTION Z:REMARKS CHANGE

April 18, 2005



## PARTS CATALOGUE NEWS

Honda Motor Co., Ltd. Service Division

CODE NO.	BOOKLET TYPE	13ZL80E5
	MICRO-FICHE	13ZL80EE/FE
PARTS CATALOGUE TITLE	GC135 GC160 GC160A GC135E GC160E	
NEWS NO.	011	

Printed in Japan

### GC160A-QHL TYPE sales parts information

NOTE: This Parts Catalogue News explains only the parts of the different model that are produced to conform to addition of the GC160A-QHL type.

As for the parts not listed on this Parts Catalogue News, use the parts of the GC160A-QHA type.

Model	Type		Parts catalogue type	Applicable engine serial No.	Applicable carburetor identification No.
GC160A	QHA	Base model	QHA	GCAHA-1000001~	BB61B C
	QHL	Additional model	QHL		BB61B D

NOTE A:PART NO. CHANGE D:NEWLY PROVIDED E:PART NO. DELETION K:REQUIRED NO. CORRECTION L:APPLICATION SERIAL NO. CORRECTION  
T:APPLICATION CORRECTION Z:REMARKS CHANGE



## PARTS CATALOGUE NEWS

BOOKNo. :13ZL80E5

Block No.	Ref. No.	Part No.	Description	Reqd. QTY					Base Part No.	Parts catalogue code
				GC 135	GC 160	GC 160A	GC 135E	GC 160E		
E-6	2	15625-Z2L-801	PACKING, OIL FILLER CAP .....	-	-	1	-	-	15625-ZE1-003	
	3	15650-Z2L-801	GAUGE, OIL LEVEL .....	-	-	1	-	-	15650-ZL8-013	
E-8	1	13010-Z0L-003	RING SET, PISTON (RIKEN) .....	-	-	1	-	-	13010-ZL8-003	
		13010-Z0L-004	RING SET, PISTON (TEIKOKU) ...	-	-	1	-	-	13010-ZL8-024	
	2	13101-Z2A-000	PISTON .....	-	-	1	-	-	13101-ZL8-000	
E-9	5	14441-Z0J-000	ARM, EX. VALVE ROCKER .....	-	-	1	-	-	14441-ZL8-000	
	10	14771-Z0J-000	RETAINER, VALVE SPRING .....	-	-	2	-	-	14771-ZE1-000	
E-14	8	16100-ZL8-803	CARBURETOR ASSY. (BB6TB D) ...	-	-	1	-	-	16100-ZL8-802	
E-15	2	17211-ZL8-013	ELEMENT, AIR CLEANER .....	-	-	1	-	-	17211-ZL8-003	
	5	17231-Z0J-020	COVER, AIR CLEANER .....	-	-	1	-	-	17231-ZL8-020	
E-16	2	18321-Z0L-000	PROTECTOR, MUFFLER .....	-	-	1	-	-	18321-ZL8-000	
E-19	5	32195-Z0J-000	CORD, STOP SWITCH .....	-	-	1	-	-	32195-ZL8-000	
E-28	1	87101-ZL8-010	EMBLEM (GC160 5.0) .....	-	-	1	-	-	87101-ZL8-000	

NOTE A:PART NO. CHANGE D:NEWLY PROVIDED E:PART NO. DELETION K:REQUIRED NO. CORRECTION L:APPLICATION SERIAL NO. CORRECTION  
T:APPLICATION CORRECTION Z:REMARKS CHANGE



## PARTS CATALOGUE NEWS

Honda Motor Co., Ltd. Service Division

September 01, 2005

CODE NO.	BOOKLET TYPE	13ZL80E5
	MICRO- FICHE	13ZL80EE/FE
PARTS CATALOGUE TITLE	GC135 GC160 GC160A GC135E GC160E	
NEWS NO.	012	

Printed in Japan

### GC135E-QHP9 TYPE sales parts information

NOTE: This Parts Catalogue News explains only the parts of the different model that are produced to conform to addition of the GC135E-QHP9 type.

As for the parts not listed on this Parts Catalogue News, use the parts of the GC135E-QHP7 type.

NOTE A:PART NO. CHANGE D:NEWLY PROVIDED E:PART NO. DELETION K:REQUIRED NO. CORRECTION L:APPLICATION SERIAL NO. CORRECTION  
T:APPLICATION CORRECTION Z:REMARKS CHANGE

## PARTS CATALOGUE NEWS

BOOKNo. :13ZL80E5

## • Models, parts catalogue codes and applicable serial numbers

Model	Type		Parts catalogue type	Applicable engine serial No.	Applicable carburetor identification No.
GC135E	QHP7	Base type	QHP7	GCAAE-1000001~	BB63B B
	QHP9	Additional type	QHP9		BB63B C

## • Features of each type

		Base type	Additional type
Model		GC135E	
Specifications		QHP7	QHP9
Crankshaft	18mm Ø Straight		
	19.05mm Ø X 48mm Straight		
	19.05mm Ø X 58.5mm Straight	•	•
	20mm Ø Straight		
	22.2mm Ø Straight		
	22.5mm Ø Straight (P.T.O.)		
	Tapered		
	3/4" Thread		
	M14 Stepped thread		
	M14 Stepped thread		
Oil level switch			
Starter motor			
Engine stop switch		•	•

NOTE A:PART NO. CHANGE D:NEWLY PROVIDED E:PART NO. DELETION K:REQUIRED NO. CORRECTION L:APPLICATION SERIAL NO. CORRECTION  
T:APPLICATION CORRECTION Z:REMARKS CHANGE

## PARTS CATALOGUE NEWS

BOOKNo. :13ZL80E5

Block No.	Ref. No.	Part No.	Description	Reqd. QTY					Base Part No.	Parts catalogue code
				GC 135	GC 160	GC 160A	GC 135E	GC 160E		
E-6	2	15625-Z2L-801	PACKING, OIL FILLER CAP .....	-	-	-	1	-	15625-ZE1-003	
	3	15650-Z2L-801	GAUGE ASSY., OIL LEVEL .....	-	-	-	1	-	15650-ZL8-013	
E-8	1	13010-Z0L-003	RING SET, PISTON (RIKEN) .....	-	-	-	1	-	13010-ZL8-003	
		13010-Z0L-004	RING SET, PISTON (TEIKOKU) ...	-	-	-	1	-	13010-ZL8-024	
	2	13101-Z2A-000	PISTON .....	-	-	-	1	-	13101-ZL8-000	
E-11	1		STARTER ASSY., RECOIL *R280*.....POWER RED	-	-	-	0	-	28400-ZL8-023ZC	
E-12	1		COVER, FAN *R280*.....POWER RED	-	-	-	0	-	19611-ZL9-000ZC	
E-14	8	16100-ZL9-803	CARBURETOR ASSY. (BB63B C) ...	-	-	-	1	-	16100-ZL9-802	
E-15	2	17211-ZL8-023	ELEMENT, AIR CLEANER .....	-	-	-	1	-	17211-ZL8-003	
E-28	9	87101-ZL9-800	EMBLEM (GC135 4.0) .....	-	-	-	1	-	87101-ZL9-010	
	12		LABEL, E-SPEC (15 5X27.5) .....	-	-	-	0	-	87135-ZE2-020	

NOTE A:PART NO. CHANGE D:NEWLY PROVIDED E:PART NO. DELETION K:REQUIRED NO. CORRECTION L:APPLICATION SERIAL NO. CORRECTION  
T:APPLICATION CORRECTION Z:REMARKS CHANGE

August 28, 2005



# PARTS CATALOGUE NEWS

Honda Motor Co., Ltd. Service Division

## PARTS CATALOGUE - CORRECTED

Printed in Japan

CODE NO.	BOOKLET TYPE	13ZL80E5
	MICRO-FICHE	13ZL80EE/FE
PARTS CATALOGUE TITLE	GC135 GC160 GC160A GC135E GC160E	
NEWS NO.	013	

Block No.	Ref. No.	Note	Part No.	Description	Reqd. QTY					Serial No.	Parts catalogue code
					GC 135	GC 160	GC 160A	GC 135E	GC 160E		
E-11	1	T	28400-ZL8-023ZC	STARTER ASSY., RECOIL *R280*..... POWER RED					1		DEAF, DHAF, MEA2, QEA, QEAF, QEA2, QHE, QHEB, QHEP, QHE2, QHE5, SHE, SHE1, SHE6, VXC, VXE
					-	-	-	1	1		
E-12	1	T	19611-ZL8-000ZC	COVER, FAN *R280*..... POWER RED		1	1	-	-		DHAF, QHP7
					-	1	-	-	-	1804974	PHA, PXU, QHA, QHA1, QHA2, QHC, QHE, QHEB, QHEP, QHE1, QHE2, QHE3, QHE4, QHE5, QHU, SHE, SHE1, SHE6, SHJ, VHA, VHE, VHJ, VX, VXA, VXC, VXE, VXJ, VXU, VHE, WHJ, WXE
					-	-	1	-	-		QHE, QHEB, QHEP, QHE2, QHE5, SHE, SHE1, SHE6, VXC, VXE
					-	-	-	-	1		

NOTE A:PART NO. CHANGE D:NEWLY PROVIDED E:PART NO. DELETION K:REQUIRED NO. CORRECTION L:APPLICATION SERIAL NO. CORRECTION  
T:APPLICATION CORRECTION Z:REMARKS CHANGE



## PARTS CATALOGUE NEWS

Honda Motor Co., Ltd. Service Division

October 16, 2005

CODE NO.	BOOKLET TYPE	13ZL80E5
	MICRO- FICHE	13ZL80EE/FE
PARTS CATALOGUE TITLE	GC135 GC160 GC160A GC135E GC160E	
NEWS NO.	014	

Printed in Japan

### GC135E-QHW TYPE sales parts information

NOTE: This Parts Catalogue News explains only the parts of the different model that are produced to conform to addition of the GC135E-QHW type.

As for the parts not listed on this Parts Catalogue News, use the parts of the GC135E-QHE type.

NOTE A:PART NO. CHANGE D:NEWLY PROVIDED E:PART NO. DELETION K:REQUIRED NO. CORRECTION L:APPLICATION SERIAL NO. CORRECTION  
T:APPLICATION CORRECTION Z:REMARKS CHANGE

• Models, parts catalogue codes and applicable serial numbers

Model	Type		Parts catalogue type	Applicable engine serial No.	Applicable carburetor identification No.
GC135E	QHE	Base type	QHE	GCAAE-1000001~	BB63B B
	QHW	Additional type	QHW		BB63B C

• Features of each type

		Base type	Additional type
Model		GC135E	
Type		QHE	QHW
Specifications	18mm Ø Straight		
	19.05mm Ø X 48mm Straight		
	19.05mm Ø X 58.5mm Straight	●	●
	20mm Ø Straight		
	22.2mm Ø Straight		
	22.5mm Ø Straight (P.T.O.)		
	Tapered		
	3/4" Thread		
	M14 Stepped thread		
	M14 Stepped thread		
Oil level switch			
Starter motor			
Engine stop switch		●	●

NOTE A:PART NO. CHANGE D:NEWLY PROVIDED E:PART NO. DELETION K:REQUIRED NO. CORRECTION L:APPLICATION SERIAL NO. CORRECTION  
T:APPLICATION CORRECTION Z:REMARKS CHANGE

## PARTS CATALOGUE NEWS

BOOKNo. :13ZL80E5

Block No.	Ref. No.	Part No.	Description	Reqd. QTY					Base Part No.	Parts catalogue code
				GC 135	GC 160	GC 160A	GC 135E	GC 160E		
E-6	2	15625-Z2L-801	PACKING, OIL FILLER CAP .....	-	-	-	1	-	15625-ZE1-003	
	3	15650-Z2L-801	GAUGE ASSY., OIL LEVEL .....	-	-	-	1	-	15650-ZL8-013	
E-8	1	13010-Z0L-003	RING SET, PISTON (RIKEN) .....	-	-	-	1	-	13010-ZL8-003	
		13010-Z0L-004	RING SET, PISTON (TEIKOKU) ...	-	-	-	1	-	13010-ZL8-024	
	2	13101-Z2A-000	PISTON .....	-	-	-	1	-	13101-ZL8-000	
E-11	1		STARTER ASSY., RECOIL *R280*..... POWER RED	-	-	-	0	-	28400-ZL8-023ZC	
		28400-Z2L-V61ZA	STARTER ASSY., RECOIL (LONG ROPE) *NH1*..... BLACK	-	-	-	1	-	28400-ZL8-023ZA	
	3	28462-ZL8-631	ROPE, RECOIL STARTER (LONG TYPE)	-	-	-	1	-	28462-ZL8-003	
E-12	1		COVER, FAN *R280*..... POWER RED	-	-	-	0	-	19611-ZL9-000ZC	
E-14	8	16100-ZL9-803	CARBURETOR ASSY. (BB63B C) ...	-	-	-	1	-	16100-ZL9-802	
E-15	2	17211-ZL8-023	ELEMENT, AIR CLEANER .....	-	-	-	1	-	17211-ZL8-003	
E-17	10	17620-Z0M-000	CAP ASSY., FUEL TANK .....	-	-	-	1	-	17620-ZL8-013	
E-28	9	87101-ZL9-800	EMBLEM (GC135 4.0) .....	-	-	-	1	-	87101-ZL9-010	
	12		LABEL, E-SPEC (15.5X27.5) .....	-	-	-	0	-	87135-ZE2-020	

NOTE A:PART NO. CHANGE D:NEWLY PROVIDED E:PART NO. DELETION K:REQUIRED NO. CORRECTION L:APPLICATION SERIAL NO. CORRECTION  
T:APPLICATION CORRECTION Z:REMARKS CHANGE



October 21, 2005



# PARTS CATALOGUE NEWS

Honda Motor Co., Ltd. Service Division

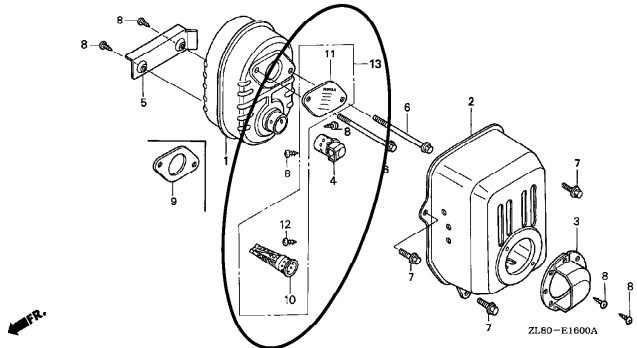
## PARTS CATALOGUE - CORRECTED

Printed in Japan

CODE NO.	BOOKLET TYPE	13ZL80E5
	MICRO-FICHE	13ZL80EE/FE
PARTS CATALOGUE TITLE	GC135 GC160 GC160A GC135E GC160E	
NEWS NO.	015	

Block No.	Ref. No.	Note	Part No.	Description	Reqd. QTY					Serial No.	Parts catalogue code
					GC 135	GC 160	GC 160A	GC 135E	GC 160E		

E-16 MUFLER



E-16	10	T	18350-ZL8-000	ARRESTER COMP., SPARK	1	1	1	1	1		OHAJ, VHA, VXA, VXP5, WME2
------	----	---	---------------	-----------------------	---	---	---	---	---	--	----------------------------

NOTE A:PART NO. CHANGE D:NEWLY PROVIDED E:PART NO. DELETION K:REQUIRED NO. CORRECTION L:APPLICATION SERIAL NO. CORRECTION  
T:APPLICATION CORRECTION Z:REMARKS CHANGE

PARTS CATALOGUE NEWS

BOOKNo. :13ZL80E5

Block No.	Ref. No.	Note	Part No.	Description	Reqd. QTY					Serial No.	Parts catalogue code	
					GC 135	GC 160	GC 160A	GC 135E	GC 160E			
					(1)	(1)	(1)	(1)	(1)	-----	-----	DEAF, DHAF, MEA2, MHA2, PHA, QBC, QDE, QEA, QEAF, QEA2 QFC, QHA, QHAF, QHA1, QHC, QHL, VXC, WKT2
					(1)	-	-	-	-	-----	-----	PXC, QHC1, VHC
					-	(1)	(1)	-	-	-----	-----	QHA2
11	T		18356-ZL8-000	PLATE, ARRESTER NUMBER .....	1	1	1	-	1	-----	-----	QHAJ, VHA, VXA, WME2
					(1)	(1)	(1)	(1)	(1)	-----	-----	DEAF, DHAF, MEA2, MHA2, PHA, QBC, QDE, QEA, QEAF, QEA2 QFC, QHA, QHAF, QHA1, QHC, QHL, VXC, WKT2
					(1)	-	-	-	-	-----	-----	PXC, QHC1, VHC
					-	(1)	(1)	-	-	-----	-----	QHA2
12	T		90055-ZE1-000	SCREW, TAPPING, 4X6 .....	1	1	1	1	1	-----	-----	QHAJ, VHA, VXA, VXP5, WME2
					(1)	(1)	(1)	(1)	(1)	-----	-----	DEAF, DHAF, MEA2, MHA2, PHA, QBC, QDE, QEA, QEAF, QEA2 QFC, QHA, QHAF, QHA1, QHC, QHL, VXC, WKT2
					(1)	-	-	-	-	-----	-----	PXC, QHC1, VHC
					-	(1)	(1)	-	-	-----	-----	QHA2
13	D		06180-Z0J-000	ARRESTER KIT, SPARK .....	-	-	(1)	-	-	-----	-----	DEAF, DHAF, MEA2, MHA2, PHA, QBC, QDE, QEA, QEAF, QEA2 QFC, QHA, QHAF, QHAJ, QHA1, QHA2, QHC, VHA, VXA, VXC

NOTE A:PART NO. CHANGE D:NEWLY PROVIDED E:PART NO. DELETION K:REQUIRED NO. CORRECTION L:APPLICATION SERIAL NO. CORRECTION  
T:APPLICATION CORRECTION Z:REMARKS CHANGE

November 13, 2005



# PARTS CATALOGUE NEWS

Honda Motor Co., Ltd. Service Division

## PARTS CATALOGUE - CORRECTED

Printed in Japan

CODE NO.	BOOKLET TYPE	13ZL80E5
	MICRO-FICHE	13ZL80EE/FE
PARTS CATALOGUE TITLE	GC135 GC160 GC160A GC135E GC160E	
NEWS NO.	016	

Block No.	Ref. No.	Note	Part No.	Description	Reqd. QTY					Serial No.	Parts catalogue code
					GC 135	GC 160	GC 160A	GC 135E	GC 160E		
E-17	24	K	95002-02100	CLIP, TUBE (B10) .....	1	1	1	1	1	-----	DEAF, DHAF, PHA, PHC, PHD, PHU, PXA, PXC, PXD, PXU, QBG, QDE, QEA, QEAF, QFG, QFJ, QHA, QHAF, QHA1, QHG, QHG1, QHE, QHE1, QHE2, QHE3, QHL, QHU, QHU1, QHW, SHE, SHE1, SHE3, SHE4, SHJ, SHJ1, SHJ4, VHA, VHC, VHE, VHJ, VHU, VX, VXA, VXC, VXD, VXE, VXJ, VXU, WHE, WHJ, WKT2, WME1, WME2, WXE, WXJ
					5	5	5	5	5	-----	ME42, MHA2, QEA2, QHA2, QHEB, QHEP, QHE1, QHE4, QHE5, QHM, QHP7, QHP9, SHE2, SHE5, SHE6
					-	2	-	-	-	-----	OHAJ

NOTE A: PART NO. CHANGE D: NEWLY PROVIDED E: PART NO. DELETION K: REQUIRED NO. CORRECTION L: APPLICATION SERIAL NO. CORRECTION  
T: APPLICATION CORRECTION Z: REMARKS CHANGE



## PARTS CATALOGUE NEWS

Honda Motor Co., Ltd. Service Division

December 10, 2005

CODE NO.	BOOKLET TYPE	13ZL80E5
	MICRO- FICHE	13ZL80EE/FE
PARTS CATALOGUE TITLE	GC135 GC160 GC160A GC135E GC160E	
NEWS NO.	017	

Printed in Japan

### GC160E-VXE9 TYPE sales parts information

NOTE: This Parts Catalogue News explains only the parts of the different model that are produced to conform to addition of the GC160E-VXE9 type.

As for the parts not listed on this Parts Catalogue News, use the parts of the GC160E-VXE type.

#### •Models, parts catalogue codes and applicable serial numbers

Model	Type		Parts catalogue type	Applicable engine serial No.	Applicable carburetor identification No.
GC160E	VXE	Base model	VXE	GCABE-1000001~	BB61B C
	VXE9	Additional model	VXE9		BB61B D

NOTE A:PART NO. CHANGE D:NEWLY PROVIDED E:PART NO. DELETION K:REQUIRED NO. CORRECTION L:APPLICATION SERIAL NO. CORRECTION  
T:APPLICATION CORRECTION Z:REMARKS CHANGE

*Features of each type		Base type	Additional type
		GC160E	
		VXE	VXE9
Crankshaft	18mmØ x 50mm Straight		
	19.05mmØ x 48mm Straight		
	19.05mmØ x 58.5mm Straight		
	20mmØ x 50mm Straight		
	22.2mmØ x 30.1mm Straight		
	22.5mmØ x 64mm Straight		
	M14 x 1.5 Stepped thread		
	M18 x 1.5 Stepped thread		
	3/4" Thread		
	19.177mmØ x 71.5mm Tapered	●	●
Oil level switch	●	●	
Engine stop switch	●	●	

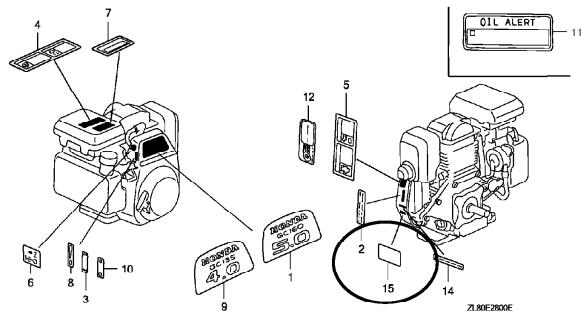
NOTE A:PART NO. CHANGE D:NEWLY PROVIDED E:PART NO. DELETION K:REQUIRED NO. CORRECTION L:APPLICATION SERIAL NO. CORRECTION  
 T:APPLICATION CORRECTION Z:REMARKS CHANGE

PARTS CATALOGUE NEWS

BOOKNo. :13ZL80E5

Block No.	Ref. No.	Part No.	Description	Reqd. QTY					Base Part No.	Parts catalogue code
				GC 135	GC 160	GC 160A	GC 135E	GC 160E		
E-6	2	15625-Z2L-801	PACKING, OIL FILLER CAP .....	-	-	-	-	1	15625-ZE1-003	
	3	15650-Z2L-801	GAUGE ASSY., OIL LEVEL .....	-	-	-	-	1	15650-ZL8-013	
E-8	1	13010-Z0L-003	RING SET, PISTON (RIKEN) .....	-	-	-	-	1	13010-ZL8-003	
		13010-Z0L-004	RING SET, PISTON (TEIKOKU) ...	-	-	-	-	1	13010-ZL8-024	
	2	13101-Z2A-000	PISTON .....	-	-	-	-	1	13101-ZL8-000	
E-14	8	16100-ZL8-803	CARBURETOR ASSY. (BB6TB D) ...	-	-	-	-	1	16100-ZL8-802	
E-15	2	17211-ZL8-023	ELEMENT, AIR CLEANER .....	-	-	-	-	1	17211-ZL8-003	
E-16	10	18545-Z2M-880	SCREEN COMP. ....	-	-	-	-	1		
	12	90055-ZE1-000	SCREW, TAPPING, 4X6 .....	-	-	-	-	1		

E-28 LABEL



E-28	1	87101-ZL8-800	EMBLEM (GC160 5.0) .....	-	-	-	-	1	87101-ZL8-010	
	12		LABEL, E-SPEC (15.5X27.5) .....	-	-	-	-	0	87135-ZE2-020	

NOTE A:PART NO. CHANGE D:NEWLY PROVIDED E:PART NO. DELETION K:REQUIRED NO. CORRECTION L:APPLICATION SERIAL NO. CORRECTION  
T:APPLICATION CORRECTION Z:REMARKS CHANGE

PARTS CATALOGUE NEWS

BOOKNo. :13ZL80E5

Block No.	Ref. No.	Part No.	Description	Reqd. QTY				Base Part No.	Parts catalogue code
				GC 135	GC 160	GC 160A	GC 135E 160E		
	15	87114-ZH7-840	LABEL, WARNING (NOT CERTIFIED FOR SALE)	-	-	-	-	1	

NOTE A:PART NO. CHANGE D:NEWLY PROVIDED E:PART NO. DELETION K:REQUIRED NO. CORRECTION L:APPLICATION SERIAL NO. CORRECTION  
T:APPLICATION CORRECTION Z:REMARKS CHANGE

December 25, 2005



# PARTS CATALOGUE NEWS

Honda Motor Co., Ltd. Service Division

## PARTS CATALOGUE - CORRECTED

Printed in Japan

CODE NO.	BOOKLET TYPE	13ZL80E5
	MICRO-FICHE	13ZL80EE/FE
PARTS CATALOGUE TITLE	GC135 GC160 GC160A GC135E GC160E	
NEWS NO.	018	

Block No.	Ref. No.	Note	Part No.	Description	Reqd. QTY					Serial No.	Parts catalogue code
					GC 135	GC 160	GC 160A	GC 135E	GC 160E		
E-6	11	T	90131-883-000	BOLT, DRAIN PLUG, 12X15 .....	2	2	2	-	-	-----	DEAF, DHAF, MEA2, MHA2, PHA, PHC, PHD, PHU, PXA, PXC, PXD, PXU, QDE, QEA, QEAF, QEA2, QF-J, QHAF, QHAJ, QHET, QHL, QHM, QHP7, SHJ4, VHA, VHC, VHE, VHJ, VHU, VX, VXC, VXD, VXE, VXJ, VXP4, VXP5, VXU, WHE, WHJ, WKT2, WME1, WME2, WXE, WXJ
					2	2	-	-	-	-----	QBC, VXA
					2	-	2	-	-	-----	QFC
					2	-	-	-	-	1108027	QHA, QHA1, QHA2, QHC, QHC1, QHE, QHEB, QHEP, QHE1, QHE2, QHE3, QHE4, QHE5, QHU, QHU1, SHE, SHE1, SHE2, SHE3, SHE4, SHE5, SHE6, SHJ, SHJ1
					-	2	-	-	-	1398446	QHA, QHA1, QHA2, QHC, QHC1, QHE, QHEB, QHEP, QHE1, QHE2, QHE3, QHE4, QHE5, QHU, QHU1, SHE, SHE1, SHE3, SHE4, SHE5, SHE6, SHJ, SHJ1
					-	-	2	-	-	-----	QHA, QHA1, QHA2, QHC, QHE, QHEB, QHEP, QHE1, QHE2, QHE4, QHE5, QHU, SHE, SHE1, SHE6
					-	-	-	2	2	-----	

NOTE A:PART NO. CHANGE D:NEWLY PROVIDED E:PART NO. DELETION K:REQUIRED NO. CORRECTION L:APPLICATION SERIAL NO. CORRECTION  
T:APPLICATION CORRECTION Z:REMARKS CHANGE





# PARTS CATALOGUE NEWS

Honda Motor Co., Ltd. Service Division

## PARTS CATALOGUE - CORRECTED

Printed in Japan

January 02, 2006

CODE NO.	BOOKLET TYPE	13ZL80E5
	MICRO-FICHE	13ZL80EE/FE
PARTS CATALOGUE TITLE	GC135 GC160 GC160A GC135E GC160E	
NEWS NO.	019	

Block No.	Ref. No.	Note	Part No.	Description	Reqd. QTY					Serial No.	Parts catalogue code	
					GC135	GC160	GC160A	GC135E	GC160E			
E-14	8	T	16100-ZL8-802	CARBURETOR ASSY. (BB61B C) ...	-	1	-	-	1	-----	-----	DHAF, MHA2, QBC, QDE, QFC, QHAF, QHAJ, QHM, QHP7, WKT2 WME2
					-	1	-	-	-	1125914	-----	PHA, PHG, PXA, PXC, QHA, QHA1, QHA2, QHC, QHC1, VHA, VHC VXA, VXC
					-	1	-	-	-	1468999	-----	PHD, PHJ, PXD, PXU, QHE, QHEB, QHEP, QHET, QHE1, QHE2 QHE3, QHE4, QHE5, QHU, QHU1, SHE, SHE1, SHE3, SHE4 SHE5, SHE6, SHJ, SHJ1, VHE, VHJ, VHU, VX, VXE, VXJ, VXU WHE, WHJ, WME1, WXE, WXJ
					-	-	1	-	1	-----	-----	PHA, PXU, QHA, QHA1, QHA2, QHC, QHE, QHEB, QHEP, QHET QHE1, QHE2, QHE4, QHE5, QHU, SHE, SHE1, SHE6, SHJ, VHA VXA, VXC, VXE, VXU, WHJ
		T	16100-ZL8-803	CARBURETOR ASSY. (BB61B D) ...	-	-	1	-	1	-----	-----	DEAF, MEA2, QEA, QEAF, QEA2, QHL, VXE9
E-28	1	L	87101-ZL8-000	EMBLEM (GC160 5.0) .....	-	1	-	-	-	-----	-----	PHC, PHD, PHU, PXA, PXC, PXD, QHC1, QHU1, SHE3, SHE4 SHE5, SHJ1, VHC, VHU, WXJ
					-	1	-	-	-	1805238	-----	PHA, PXU, QBC, QFC, QHA, QHAJ, QHA1, QHA2, QHC, QHE QHEP, QHET, QHE1, QHE2, QHE3, QHE4, QHE5, QHM, QHU, SHE SHE1, SHE6, SHJ, VHA, VHE, VHJ, VX, VXA, VXC, VXE, VXJ VXU, WHE, WHJ, WKT2, WME1, WME2, WXE

NOTE A:PART NO. CHANGE D:NEWLY PROVIDED E:PART NO. DELETION K:REQUIRED NO. CORRECTION L:APPLICATION SERIAL NO. CORRECTION  
T:APPLICATION CORRECTION Z:REMARKS CHANGE

PARTS CATALOGUE NEWS

BOOKNo. :13ZL80E5

Block No.	Ref. No.	Note	Part No.	Description	Reqd. QTY					Serial No.	Parts catalogue code
					GC 135	GC 160	GC 160A	GC 135E	GC 160E		
					-	-	1	-	-	----- 2071242	MHA2, PHA, PXU, QBC, QFC, QHA, QHAF, QHAJ, QHA1, QHA2, QHC, QHE, QHEP, QHET, QHE1, QHE2, QHE4, QHE5, QHU, SHE, SHE1, SHE6, VHA, VXA, VXE, VXU
		I	8/101-ZL8-010	.....	-	1	1	-	1	----- -----	DEAF, DHAF, MEA2, QDE, QEA, QEAF, QEA2, QHL, QHP/
					-	1	-	-	-	----- 1805239	PHA, PXU, QBC, QFC, QHA, QHAJ, QHA1, QHA2, QHC, QHE, QHEP, QHET, QHE1, QHE2, QHE3, QHE4, QHE5, QHM, QHU, SHE, SHE1, SHE6, SHJ, VHA, VHE, VHJ, VX, VXA, VXC, VXE, VXJ, VXU, WHE, WHJ, WKT2, WME1, WME2, WXE
					-	-	1	-	1	----- -----	SHJ, VXC, WHJ, WKT2
					-	-	1	-	-	----- 2071243	MHA2, PHA, PXU, QBC, QFC, QHA, QHAF, QHAJ, QHA1, QHA2, QHC, QHE, QHEP, QHET, QHE1, QHE2, QHE4, QHE5, QHU, SHE, SHE1, SHE6, VHA, VXA, VXE, VXU
					-	-	-	-	1	----- -----	QHA, QHE, QHEP, QHET, QHE1, QHE2, QHE4, QHE5, SHE, SHE1, SHE6, VXA, VXE

NOTE A:PART NO. CHANGE D:NEWLY PROVIDED E:PART NO. DELETION K:REQUIRED NO. CORRECTION L:APPLICATION SERIAL NO. CORRECTION  
T:APPLICATION CORRECTION Z:REMARKS CHANGE



# PARTS CATALOGUE NEWS

Honda Motor Co., Ltd. Service Division

## PARTS CATALOGUE - CORRECTED

Printed in Japan

January 23, 2006

CODE NO.	BOOKLET TYPE	13ZL80E5
	MICRO-FICHE	13ZL80EE/FE
PARTS CATALOGUE TITLE	GC135 GC160 GC160A GC135E GC160E	
NEWS NO.	Q20	

Block No.	Ref. No.	Note	Part No.	Description	Reqd. QTY					Serial No.	Parts catalogue code	
					GC135	GC160	GC160A	GC135E	GC160E			
E-14	8	L	16100-ZL8-802	CARBURETOR ASSY. (BB61B C) ...	-	1	-	-	1	-----	-----	QBC, QFC, QHAJ, QHM, QHP7, WKT2, WME2
					-	1	-	-	-	1125914	-----	PHA, PHC, PXA, PXC, QHA, QHA1, QHA2, QHC, QHC1, VHA, VHC, VXA, VXC
					-	1	-	-	-	1468999	-----	PHD, PHJ, PXD, PXU, QHE, QHEB, QHEP, QHET, QHE1, QHE2, QHE3, QHE4, QHE5, QHU, QHU1, SHE, SHE1, SHE3, SHE4, SHE5, SHE6, SHJ, SHJ1, VHE, VHJ, VHU, VX, VXE, VXJ, VXU, WHE, WHJ, WME1, WXE, WXJ
					-	-	1	-	-	2893263	-----	DHAF, MHA2, PHA, PXU, QBC, QDE, QFC, QHA, QHAF, QHAJ, QHA1, QHA2, QHC, QHE, QHEB, QHEP, QHET, QHE1, QHE2, QHE4, QHE5, QHU, SHE, SHE1, SHE6, VHA, VXA, VXC, VXE, VXU
T			16100-ZL8-803	CARBURETOR ASSY. (BB61B D) ...	-	-	1	-	1	-----	-----	QHA, QHE, QHEB, QHEP, QHET, QHE1, QHE2, QHE4, QHE5, SHE, SHE1, SHE6, SHJ, VXA, VXE, WHJ
					-	-	1	-	-	2893264	-----	DEAF, MEA2, QEA, QEAF, QEA2, QHL, VXE9 DHAF, MHA2, PHA, PXU, QBC, QDE, QFC, QHA, QHAF, QHAJ, QHA1, QHA2, QHC, QHE, QHEB, QHEP, QHET, QHE1, QHE2, QHE4, QHE5, QHU, SHE, SHE1, SHE6, VHA, VXA, VXC, VXE, VXU

NOTE A: PART NO. CHANGE D: NEWLY PROVIDED E: PART NO. DELETION K: REQUIRED NO. CORRECTION L: APPLICATION SERIAL NO. CORRECTION  
T: APPLICATION CORRECTION Z: REMARKS CHANGE

February 20, 2006



# PARTS CATALOGUE NEWS

Honda Motor Co., Ltd. Service Division

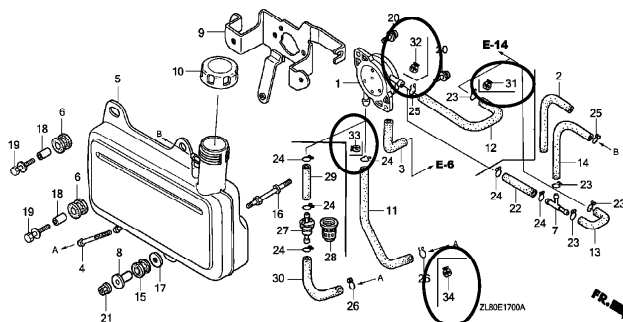
## PARTS CATALOGUE - CORRECTED

Printed in Japan

CODE NO.	BOOKLET TYPE	13ZL80E5
	MICRO-FICHE	13ZL80EE/FE
PARTS CATALOGUE TITLE	GC135 GC160 GC160A GC135E GC160E	
NEWS NO.	021	

Block No.	Ref. No.	Note	Part No.	Description	Reqd. QTY					Serial No.	Parts catalogue code
					GC 135	GC 160	GC 160A	GC 135E	GC 160E		

E-17 FUEL TANK/FUEL PUMP



NOTE A:PART NO. CHANGE D:NEWLY PROVIDED E:PART NO. DELETION K:REQUIRED NO. CORRECTION L:APPLICATION SERIAL NO. CORRECTION  
T:APPLICATION CORRECTION Z:REMARKS CHANGE

PARTS CATALOGUE NEWS

BOOKNo. :13ZL80E5

Block No.	Ref. No.	Note	Part No.	Description	Reqd. QTY					Serial No.	Parts catalogue code
					GC 135	GC 160	GC 160A	GC 135E	GC 160E		
E-17	11		17701-ZL8-000	TUBE, FUEL TANK .....	1	1	1	1	1	-----	DEAF, PHC, PHD, PHU, PXA, PXC, PXD, PXU, QEA, QEAF, QF-J QHC1, QHE, QHE1, QHE2, QHE3, QHL, QHU, QHU1, QHW, SHE SHE1, SHE3, SHE4, SHJ, SHJ1, SHJ4, VHC, VHE, VHJ, VHU VX, VXD, VXE, VXE9, VXJ, VXU, WHE, WHJ, WKT2, WME1, WME2 WXE, WXJ
					1	1	-	1	1	-----	PHA, QBC, QFC, QHA, QHA1, QHC, VHA, VXA, VXC
					-	-	1	-	-	-----	3325757 DHAF, PHA, QBC, QDE, QFC, QHA, QHAF, QHA1, QHC, VHA, VXA VXC
	A		17701-Z0J-003	TUBE, FUEL TANK (FKM) .....	-	-	1	-	-	3325758	DHAF, PHA, QBC, QDE, QFC, QHA, QHAF, QHA1, QHC, VHA, VXA VXC
	12		17702-ZL8-000	TUBE, FUEL .....	1	1	1	1	1	-----	DEAF, PHC, PHD, PHU, PXA, PXC, PXD, PXU, QEA, QEAF, QF-J QHC1, QHE, QHE1, QHE2, QHE3, QHL, QHU, QHU1, QHW, SHE SHE1, SHE3, SHE4, SHJ, SHJ1, SHJ4, VHC, VHE, VHJ, VHU VX, VXD, VXE, VXE9, VXJ, VXU, WHE, WHJ, WKT2, WME1, WME2 WXE, WXJ
					1	1	-	1	1	-----	PHA, QBC, QFC, QHA, QHAJ, QHA1, QHC, VHA, VXA, VXC
					-	-	1	-	-	-----	3325757 DHAF, PHA, QBC, QDE, QFC, QHA, QHAF, QHAJ, QHA1, QHC VHA, VXA, VXC
	A		17702-Z0J-003	TUBE, FUEL (FKM) .....	-	-	1	-	-	3325758	DHAF, PHA, QBC, QDE, QFC, QHA, QHAF, QHAJ, QHA1, QHC VHA, VXA, VXC
	23	L	95002-02080	CLIP, TUBE (B8) .....	1	1	1	1	1	-----	DEAF, PHC, PHD, PHU, PXA, PXC, PXD, PXU, QEA, QEAF, QF-J QHC1, QHE, QHE1, QHE2, QHE3, QHL, QHU, QHU1, QHW, SHE SHE1, SHE3, SHE4, SHJ, SHJ1, SHJ4, VHC, VHE, VHJ, VHU VX, VXD, VXE, VXE9, VXJ, VXU, WHE, WHJ, WKT2, WME1, WME2 WXE, WXJ
					1	1	-	1	1	-----	PIA, QBC, QFC, QHA, QHAJ, QHA1, QHC, VHA, VXA, VXC
					3	3	3	3	3	-----	MEA2, MHA2, QEA2, QHA2, QHEB, QHEP, QHET, QHE4, QHE5 QHM, QHP7, QHP9, SHE2, SHE5, SHE6
					-	-	1	-	-	-----	3325757 DHAF, PHA, QBC, QDE, QFC, QHA, QHAF, QHAJ, QHA1, QHC VHA, VXA, VXC
	24	L	95002-02100	CLIP, TUBE (B10) .....	1	1	1	1	1	-----	DEAF, PHC, PHD, PHU, PXA, PXC, PXD, PXU, QEA, QEAF, QF-J QHC1, QHE, QHE1, QHE2, QHE3, QHL, QHU, QHU1, QHW, SHE SHE1, SHE3, SHE4, SHJ, SHJ1, SHJ4, VHC, VHE, VHJ, VHU VX, VXD, VXE, VXE9, VXJ, VXU, WHE, WHJ, WKT2, WME1, WME2 WXE, WXJ

NOTE A:PART NO. CHANGE D:NEWLY PROVIDED E:PART NO. DELETION K:REQUIRED NO. CORRECTION L:APPLICATION SERIAL NO. CORRECTION T:APPLICATION CORRECTION Z:REMARKS CHANGE

PARTS CATALOGUE NEWS

BOOKNo. :13ZL80E5

Block No.	Ref. No.	Note	Part No.	Description	Reqd. QTY					Serial No.	Parts catalogue code	
					GC 135	GC 160	GC 160A	GC 135E	GC 160E			
					1	1	-	1	1	-----	-----	PHA, QBC, QFC, QHA, QHA1, QHC, VHA, VXA, VXC
					5	5	5	5	5	-----	-----	MEA2, MHA2, QEA2, QHA2, QHEB, QHEP, QHET, QHE4, QHE5 QHM, QHP7, QHP9, SHE2, SHE5, SHE6
					-	2	2	-	-	-----	-----	QHAJ
					-	-	1	-	-	-----	3325757	DHAF, PHA, QBC, QDE, QFC, QHA, QHAF, QHA1, QHC, VHA, VXA VXC
25	L		95002-50000	CLIP, TUBE (C9) .....	1	-	1	1	-	-----	-----	DEAF, MEA2, MHA2, PHC, PHD, PHU, PXA, PXC, PXD, PXU, QEA QEA2, QEA3, QEA4, QHA2, QHC1, QHE, QHEB, QHEP, QHET QHE1, QHE2, QHE3, QHE4, QHE5, QHL, QHP7, QHP9, QHU QHU1, QHW, SHE, SHE1, SHE2, SHE3, SHE4, SHE5, SHE6, SHJ SHJ1, SHJ4, VHC, VHE, VHJ, VHU, VXD, VXE, VXJ, VXU, WHE WHJ, WKT2, WME1, WME2, WXE, WXJ
					1	-	-	1	-	-----	-----	PHA, QFC, QHA, QHA1, QHC, VHA, VXA, VXC
					-	1	-	-	1	-----	-----	
					-	-	1	-	-	-----	3325757	DHAF, PHA, QBC, QDE, QFC, QHA, QHAF, QHAJ, QHA1, QHC VHA, VXA, VXC
26	L		95002-70000	CLIP, TUBE (C11) .....	1	1	1	1	-	-----	-----	DEAF, MEA2, MHA2, PHC, PHD, PHU, PXA, PXC, PXD, PXU, QEA QEA2, QEA3, QEA4, QHA2, QHC1, QHE, QHEB, QHEP, QHET QHE1, QHE2, QHE3, QHE4, QHE5, QHL, QHM, QHP7, QHP9, QHU QHU1, QHW, SHE, SHE1, SHE2, SHE3, SHE4, SHE5, SHE6, SHJ SHJ1, SHJ4, VHC, VHE, VHJ, VHU, VX, VXD, VXE, VXJ, VXU WHE, WHJ, WKT2, WME1, WME2, WXE, WXJ
					1	1	-	1	-	-----	-----	PHA, QBC, QFC, QHA, QHA1, QHC, VHA, VXA, VXC
					-	-	1	-	-	-----	3325757	DHAF, PHA, QBC, QDE, QFC, QHA, QHAF, QHA1, QHC, VHA, VXA VXC
					-	-	-	-	1	-----	-----	
31	D		95002-40800-08	CLAMP, TUBE (D8) .....	-	-	1	-	-	3325758	-----	DHAF, PHA, QBC, QDE, QFC, QHA, QHAF, QHAJ, QHA1, QHC VHA, VXA, VXC
32	D		95002-40850-08	CLAMP, TUBE (D8.5) .....	-	-	1	-	-	3325758	-----	DHAF, PHA, QBC, QDE, QFC, QHA, QHAF, QHAJ, QHA1, QHC VHA, VXA, VXC
33	D		95002-41000-08	CLAMP, TUBE (D10) .....	-	-	1	-	-	3325758	-----	DHAF, PHA, QBC, QDE, QFC, QHA, QHAF, QHA1, QHC, VHA, VXA VXC

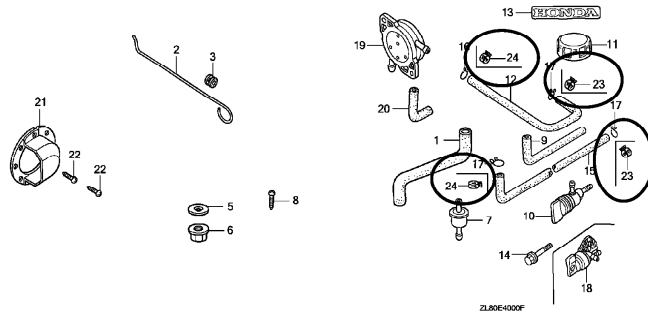
NOTE A:PART NO. CHANGE D:NEWLY PROVIDED E:PART NO. DELETION K:REQUIRED NO. CORRECTION L:APPLICATION SERIAL NO. CORRECTION  
T:APPLICATION CORRECTION Z:REMARKS CHANGE

PARTS CATALOGUE NEWS

BOOKNo. :13ZL80E5

Block No.	Ref. No.	Note	Part No.	Description	Reqd. QTY					Serial No.	Parts catalogue code
					GC 135	GC 160	GC 160A	GC 135E	GC 160E		
	34	D	95002-41200-08	CLAMP, TUBE (D12)	-	-	1	-	-	3325758	DHAF, PHA, QBC, QDE, QFC, QHA, QHAF, QHA1, QHC, VHA, VXA VXC

E-40 OTHER PARTS



E-40	12		17702-ZL8-000	TUBE, FUEL	1	-	-	-	1213956	VXP5
					-	-	1	-	3325757	VXP5
	A		17702-Z0J-003	TUBE, FUEL (FKM)	-	-	1	-	3325758	VXP5
	15		95001-45140-40	TUBE, FUEL, 4.5X140 (95001-45001-60M)	1	-	-	-	1213956	VXP5
					-	-	1	-	3325757	VXP5
	A		91424-Z4F-801	TUBE, FUEL, 4.5X140 (FKM)	-	-	1	-	3325758	VXP5
	16	I	95002-02080	CLIP, TURF (B8)	1	-	-	-	1213956	VXP5
					-	-	1	-	3325757	VXP5
	17	L	95002-50000	CLIP, TUBE (C9)	3	-	-	-	1213956	VXP5
					-	-	3	-	3325757	VXP5

NOTE A:PART NO. CHANGE D:NEWLY PROVIDED E:PART NO. DELETION K:REQUIRED NO. CORRECTION L:APPLICATION SERIAL NO. CORRECTION  
T:APPLICATION CORRECTION Z:REMARKS CHANGE

PARTS CATALOGUE NEWS

BOOKNo. :13ZL80E5

Block No.	Ref. No.	Note	Part No.	Description	Reqd. QTY					Serial No.	Parts catalogue code	
					GC 135	GC 160	GC 160A	GC 135E	GC 160E			
23	D		95002-40800-08	CLAMP, TUBE (D8) .....	-	-	-	2	-	3325758	-----	VXP5
24	D		95002-40850-08	CLAMP, TUBE (D8.5) .....	-	-	-	2	-	3325758	-----	VXP5

NOTE A:PART NO. CHANGE D:NEWLY PROVIDED E:PART NO. DELETION K:REQUIRED NO. CORRECTION L:APPLICATION SERIAL NO. CORRECTION  
T:APPLICATION CORRECTION Z:REMARKS CHANGE



June 04, 2006



# PARTS CATALOGUE NEWS

Honda Motor Co., Ltd. Service Division

## PARTS CATALOGUE - CORRECTED

Printed in Japan

CODE NO.	BOOKLET TYPE	13ZL80E5
	MICRO-FICHE	13ZL80EE/FE
PARTS CATALOGUE NEWS	GC135 GC160 GC160A GC135E GC160E	
NEWS NO.	023	

Block No.	Ref. No.	Note	Part No.	Description	Reqd. QTY					Serial No.	Parts catalogue code	
					GC 135	GC 160	GC 160A	GC 135E	GC 160E			
E-6	2	L	15625-ZE1-003	PACKING, OIL FILLER CAP .....	1	1	1	1	-	-----	DEAF, DHAF, MEA2, MHA2, PHA, PHC, PHD, PHU, PXA, PXC, PXD, PXU, QBC, QEA, QEAF, QEA2, QFG, QFJ, QHA, QHAF, QHAJ, QHA1, QHA2, QHG, QHC1, QHE, QHEB, QHEP, QHET, QHE1, QHE2, QHE3, QHE4, QHE5, QHM, QHP7, QHU, QHU1, SHE, SHE1, SHE2, SHE3, SHE4, SHE5, SHE6, SHJ, SHJ1, SHJ4, VHA, VHC, VHE, VHJ, VHU, VX, VXA, VXC, VXD, VXE, VXJ, VXP4, VXP5, VXU, WHE, WHJ, WME1	
					2	2	2	2	-	-----	ODE, WKT2, WME2, WXE, WXJ	
					-	-	-	-	1	-----	1132609 OHA, QHE, QHEB, QHEP, QHET, QHE1, QHE2, QHE4, QHE5, QHP7, SHE, SHE1, SHE6, SHJ, VXA, VXE, WHJ	
					-	-	-	-	2	-----	1132609 WKT2	
	T		15625-Z2L-801	.....	-	-	1	1	1	-----	QHL, QHP9, QHW, VXE9	
					-	-	-	-	1	1132610	-----	QHA, QHE, QHEB, QHEP, QHET, QHE1, QHE2, QHE4, QHE5, QHP7, SHE, SHE1, SHE6, SHJ, VXA, VXE, WHJ
					-	-	-	-	2	1132610	-----	WKT2
	3	L	15650-ZL8-013	GAUGE ASSY., OIL LEVEL .....	1	1	2	1	-	-----	-----	ODE, QHP7

NOTE A:PART NO. CHANGE D:NEWLY PROVIDED E:PART NO. DELETION K:REQUIRED NO. CORRECTION L:APPLICATION SERIAL NO. CORRECTION  
T:APPLICATION CORRECTION Z:REMARKS CHANGE

PARTS CATALOGUE NEWS

BOOKNo. :13ZL80E5

Block No.	Ref. No.	Note	Part No.	Description	Reqd. QTY					Serial No.	Parts catalogue code	
					GC 135	GC 160	GC 160A	GC 135E	GC 160E			
					1	-	-	-	-	1245480	-----	PHA, PXC, QFC, QFJ, QHA, QHA1, QHC, QHC1, QHE, QHEB, QHEP, QHE1, QHE2, QHE3, QHE5, QHU, SHE, SHE1, SHE6, SHJ, SHJ1, SHJ4, VHC, VHE, VHJ, VXA, VXC, VXE, VXP4, VXP5, VXU, WHE, WHJ, WME1
					2	-	-	-	-	1245480	-----	WKT2, WME2, WXE, WXJ
					-	1	-	-	-	1805026	-----	PHA, PXU, QBC, QFC, QHA, QHAJ, QHA1, QHA2, QHC, QHE, QHEB, QHEP, QHET, QHE1, QHE2, QHE3, QHE4, QHE5, QHM, QHU, SHE, SHE1, SHE6, SHJ, VHA, VHE, VHJ, VX, VXA, VXC, VXE, VXJ, VXU, WHE, WHJ, WME1
					-	2	-	-	-	1805026	-----	WKT2, WME2, WXE
					-	-	1	1	-	-----	-----	DEAF, DHAF, MEA2, MHA2, PHA, PXU, QBC, QEA, QEAF, QEA2, QFC, QFJ, QHA, QHAF, QHAJ, QHA1, QHA2, QHC, QHE, QHEB, QHEP, QHET, QHE1, QHE2, QHE4, QHE5, QHU, SHE, SHE1, SHE6, SHJ, SHJ1, SHJ4, VHA, VXA, VXC, VXE, VXP5, VXU, WHJ
					-	-	-	2	-	-----	-----	WKT2
					-	-	-	-	1	-----	1132609	QHA, QHE, QHEB, QHEP, QHET, QHE1, QHE2, QHE4, QHE5, QHP7, SHE, SHE1, SHE6, SHJ, VXA, VXE, WHJ
					-	-	-	-	2	-----	1132609	WKT2
		T	15650-Z2L-801	.....	-	-	1	1	1	-----	-----	QHL, QHP9, QHW, VXE9
					-	-	-	-	1	-----	1132610	QHA, QHE, QHEB, QHEP, QHET, QHE1, QHE2, QHE4, QHE5, QHP7, SHE, SHE1, SHE6, SHJ, VXA, VXE, WHJ
					-	-	-	-	2	-----	1132610	WKT2
E-8	1	L	13010-ZL8-003	RING SET, PISTON (RIKEN) .....	1	1	-	-	-	-----	-----	DEAF, MEA2, QEA, QEAF, QEA2, QFJ, QHP7, SHJ, SHJ1, SHJ4, VXP5, WHJ, WKT2
					-	-	1	1	-	-----	1029006	DHAF, MHA2, PHA, PXU, QBC, QDE, QFC, QHA, QHAF, QHAJ, QHA1, QHA2, QHC, QHE, QHEB, QHEP, QHET, QHE1, QHE2, QHE4, QHE5, QHU, SHE, SHE1, SHE6, VHA, VXA, VXC, VXE, VXU
					-	-	-	1	-	-----	-----	QHA, QHE, QHEB, QHEP, QHE1, QHE2, QHE5, QHU, SHE, SHE1, SHE6, VXE, VXU
					-	-	-	-	1	-----	1147457	QHA, QHE, QHEB, QHEP, QHET, QHE1, QHE2, QHE4, QHE5, QHP7, SHE, SHE1, SHE6, SHJ, VXA, VXE, WHJ, WKT2

NOTE A:PART NO. CHANGE D:NEWLY PROVIDED E:PART NO. DELETION K:REQUIRED NO. CORRECTION L:APPLICATION SERIAL NO. CORRECTION  
T:APPLICATION CORRECTION Z:REMARKS CHANGE

PARTS CATALOGUE NEWS

BOOKNo. :13ZL80E5

Block No.	Ref. No.	Note	Part No.	Description	Reqd. QTY					Serial No.	Parts catalogue code	
					GC 135	GC 160	GC 160A	GC 135E	GC 160E			
		L	13010-ZL8-024	RING SET, PISTON (TEIKOKU) ...	1	1	-	1	-	-----	-----	PHA, PXA, PXC, PXU, QBC, QFC, QFJ, QHA, QHAJ, QHA1, QHC, QHC1, QHE, QHEB, QHEP, QHET, QHE1, QHE2, QHE3, QHE5, QHP7, QHU, SHE, SHE1, SHE2, SHE6, SHJ, SHJ1, SHJ4, VHA, VHC, VHE, VHJ, VXA, VXC, VXE, VXJ, VXP4, VXP5, VXU, WHE, WHJ, WK12, WME1, WME2, WXE, WXJ
					-	1	1	-	-	-----	-----	DEAF, MEA2, PHC, QEA, QEAF, QEA2, QHM, VX
					-	1	-	-	-	-----	-----	QHA2, QHE4
					-	-	1	-	-	-----	1029006	DHAF, MHA2, PHA, PXU, QBC, QDE, QFC, QHA, QHAF, QHAJ, QHA1, QHA2, QHC, QHE, QHEB, QHEP, QHET, QHE1, QHE2, QHE4, QHE5, QHU, SHE, SHE1, SHE6, VHA, VXA, VXC, VXE, VXU
					-	-	-	-	1	-----	1147457	QHA, QHE, QHEB, QHEP, QHET, QHE1, QHE2, QHE4, QHE5, QHP7, SHE, SHE1, SHE6, SHJ, VXA, VXE, WHJ, WKT2
		T	13010-Z0L-003	RING SET, PISTON (RIKEN) .....	-	-	1	1	1	-----	-----	QHL, QHP9, QHW, VXE9
					-	-	1	-	-	-----	1029007	DHAF, MHA2, PHA, PXU, QBC, QDE, QFC, QHA, QHAF, QHAJ, QHA1, QHA2, QHC, QHE, QHEB, QHEP, QHET, QHE1, QHE2, QHE4, QHE5, QHU, SHE, SHE1, SHE6, VHA, VXA, VXC, VXE, VXU
					-	-	-	-	1	-----	1147458	QHA, QHE, QHEB, QHEP, QHET, QHE1, QHE2, QHE4, QHE5, QHP7, SHE, SHE1, SHE6, SHJ, VXA, VXE, WHJ, WKT2
		T	13010-Z0L-004	RING SET, PISTON (TEIKOKU) ...	-	-	1	1	1	-----	-----	QHL, QHP9, QHW, VXE9
					-	-	1	-	-	-----	1029007	DHAF, MHA2, PHA, PXU, QBC, QDE, QFC, QHA, QHAF, QHAJ, QHA1, QHA2, QHC, QHE, QHEB, QHEP, QHET, QHE1, QHE2, QHE4, QHE5, QHU, SHE, SHE1, SHE6, VHA, VXA, VXC, VXE, VXU
					-	-	-	-	1	-----	1147458	QHA, QHE, QHEB, QHEP, QHET, QHE1, QHE2, QHE4, QHE5, QHP7, SHE, SHE1, SHE6, SHJ, VXA, VXE, WHJ, WKT2
		2 L	13101-ZL8-000	PISTON .....	1	1	-	-	-	-----	-----	DEAF, MEA2, QEA, QEAF, QEA2, QFJ, QHP7, SHJ, SHJ1, SHJ4, VXP5, WHJ, WKT2
					-	-	1	1	-	-----	-----	DHAF, MHA2, PHA, PXU, QBC, QDE, QFC, QHA, QHAF, QHAJ, QHA1, QHA2, QHC, QHE, QHEB, QHEP, QHET, QHE1, QHE2, QHE4, QHE5, QHU, SHE, SHE1, SHE6, VHA, VXA, VXC, VXE, VXU
					-	-	-	1	-	-----	-----	QHA, QHE, QHEB, QHEP, QHE1, QHE2, QHE5, QHU, SHE, SHE1, SHE6, VXE, VXU

NOTE A:PART NO. CHANGE D:NEWLY PROVIDED E:PART NO. DELETION K:REQUIRED NO. CORRECTION L:APPLICATION SERIAL NO. CORRECTION  
T:APPLICATION CORRECTION Z:REMARKS CHANGE

PARTS CATALOGUE NEWS

BOOKNo. :13ZL80E5

Block No.	Ref. No.	Note	Part No.	Description	Reqd. QTY					Serial No.	Parts catalogue code
					GC 135	GC 160	GC 160A	GC 135E	GC 160E		
					-	-	-	-	1	----- 1147457	QHA, QHE, QHEB, QHEP, QHET, QHE1, QHE2, QHE4, QHE5 QHP7, SHE, SHE1, SHE6, SHJ, VXA, VXE, WHJ, WKT2
		T	13101-Z2A-000	.....	-	-	1	1	1	-----	QHL, QHP9, QHW, VXE9
					-	-	1	-	-	1029007	DHAF, MHA2, PHA, PXU, QBC, QDE, QFC, QHA, QHAF, QHAJ QHA1, QHA2, QHC, QHE, QHEB, QHEP, QHET, QHE1, QHE2 QHE4, QHE5, QHU, SHE, SHE1, SHE6, VHA, VXA, VXC, VXE, VXU
					-	-	-	-	1	1147458	QHA, QHE, QHEB, QHEP, QHET, QHE1, QHE2, QHE4, QHE5 QHP7, SHE, SHE1, SHE6, SHJ, VXA, VXE, WHJ, WKT2
E-14	8	L	16100-ZL9-802	CARBURETOR ASSY. (BB63B B) ...	1	-	-	-	-	-----	QFC, QFJ, QHP7, SHJ4, VXP4, VXP5, WKT2, WME2
					1	-	-	-	-	1054665	PHA, PHC, PXA, PXC, QHA, QHA1, QHA2, QHC, QHC1, VHA, VHC VXA, VXC
					1	-	-	-	-	1122154	PHD, PHU, PXD, PXU, QHE, QHEB, QHEP, QHE1, QHE2, QHE3 QHE4, QHE5, QHU, QHU1, SHE, SHE1, SHE2, SHE3, SHE4 SHE5, SHE6, SHJ, SHJ1, VHE, VHJ, VHU, VXD, VXE, VXJ, VXU WHE, WHJ, WME1, WXE, WXJ
					-	-	-	1	-	1057722	QFJ, QHA, QHE, QHEB, QHEP, QHE1, QHE2, QHE5, QHP7, QHU SHE, SHE1, SHE6, SHJ, SHJ1, SHJ4, VXE, VXP5, VXU, WHJ WKT2
		T	16100-ZL8-802	CARBURETOR ASSY. (BB61B C) ...	-	1	-	-	-	-----	QBC, QFC, QHAJ, QHM, QHP7, WKT2, WME2
					-	1	-	-	-	1125914	PHA, PHC, PXA, PXC, QHA, QHA1, QHA2, QHC, QHC1, VHA, VHC VXA, VXC
					-	1	-	-	-	1468999	PHD, PHU, PXD, PXU, QHE, QHEB, QHEP, QHET, QHE1, QHE2 QHE3, QHE4, QHE5, QHU, QHU1, SHE, SHE1, SHE2, SHE3, SHE4 SHE5, SHE6, SHJ, SHJ1, VHE, VHJ, VHU, VX, VXE, VXJ, VXU WHE, WHJ, WME1, WXE, WXJ
					-	-	1	-	-	2893263	DHAF, MHA2, PHA, PXU, QBC, QDE, QFC, QHA, QHAF, QHAJ QHA1, QHA2, QHC, QHE, QHEB, QHEP, QHET, QHE1, QHE2 QHE4, QHE5, QHU, SHE, SHE1, SHE6, VHA, VXA, VXC, VXE, VXU
		T	16100-ZL9-803	CARBURETOR ASSY. (BB63B C) ...	-	-	-	1	-	-----	QHP9, QHW
					-	-	-	1	-	1057723	QFJ, QHA, QHE, QHEB, QHEP, QHE1, QHE2, QHE5, QHP7, QHU SHE, SHE1, SHE6, SHJ, SHJ1, SHJ4, VXE, VXP5, VXU, WHJ WKT2
		T	16100-ZL8-803	CARBURETOR ASSY. (BB61B D) ...	-	-	1	-	1	-----	DEAF, MEA2, QEA, QEAF, QEA2, QHL, QHP7, SHJ, VXE9, WHJ

NOTE A:PART NO. CHANGE D:NEWLY PROVIDED E:PART NO. DELETION K:REQUIRED NO. CORRECTION L:APPLICATION SERIAL NO. CORRECTION  
T:APPLICATION CORRECTION Z:REMARKS CHANGE

PARTS CATALOGUE NEWS

BOOKNo. :13ZL80E5

Block No.	Ref. No.	Note	Part No.	Description	Reqd. QTY					Serial No.	Parts catalogue code
					GC 135	GC 160	GC 160A	GC 135E	GC 160E		
					-	-	1	-	-	2893264	DHAF, MHA2, PHA, PXU, QBC, QDE, QFC, QHA, QHAF, QHAJ, QHA1, QHA2, QHC, QHE, QHEB, QHEP, QHET, QHE1, QHE2, QHE4, QHE5, QHU, SHE, SHE1, SHE6, VHA, VXA, VXC, VXE, VXU
					-	-	-	-	1		QHE, QHEB, QHEP, QHE1, QHE1, QHE2, QHE4, QHE5, SHE, SHE1, SHE6, VXE
					-	-	-	-	1	1142745	QHA, VXA, WKT2
		A	16100-Z0J-003	CARBURETOR ASSY. (BB61J A) ...	-	-	-	-	1	1142746	QHA, VXA, WKT2
E-16	2	T	18321-ZL8-A00	PROTECTOR, MUFFLER (BLACK) ...	1	1	-	1	1		QHEB
		D	18321-Z0L-J00	PROTECTOR, MUFFLER ...	-	-	1	-	-		QHEB
E-17	12	L	17702-ZL8-000	TUBE, FUEL ...	1	1	1	1	1		DEAF, PHC, PHD, PHU, PXA, PXC, PXD, PXU, QEA, QEAF, QFJ, QHC1, QHE, QHE1, QHE2, QHE3, QHL, QHU, QHU1, QHW, SHE, SHE1, SHE3, SHE4, SHJ, SHJ1, SHJ4, VHC, VHE, VHJ, VHU, VX, VXD, VXE, VXE9, VXJ, VXU, WHE, WHJ, WME1, WME2, WXE, WXJ
					1	1	-	1	-		PHA, QBC, QFC, QHA, QHAJ, QHA1, QHC, VHA, VXA, VXC, WKT2
					-	-	1	-	-	3325757	DHAF, PHA, QBC, QDE, QFC, QHA, QHAF, QHAJ, QHA1, QHC, VHA, VXA, VXC
					-	-	-	-	1	1142745	QHA, VXA, WKT2
		T	17702-Z0J-003	TUBE, FUEL (FKM) ...	-	-	1	-	-	3325758	DHAF, PHA, QBC, QDE, QFC, QHA, QHAF, QHAJ, QHA1, QHC, VHA, VXA, VXC
					-	-	-	-	1	1142746	QHA, VXA, WKT2
	23	L	95002-02080	CLIP, TUBE (B8) ...	1	1	1	1	1		DEAF, PHC, PHD, PHU, PXA, PXC, PXD, PXU, QEA, QEAF, QFJ, QHC1, QHE, QHE1, QHE2, QHE3, QHL, QHU, QHU1, QHW, SHE, SHE1, SHE3, SHE4, SHJ, SHJ1, SHJ4, VHC, VHE, VHJ, VHU, VX, VXD, VXE, VXE9, VXJ, VXU, WHE, WHJ, WME1, WME2, WXE, WXJ
					1	1	-	1	-		PHA, QBC, QFC, QHA, QHAJ, QHA1, QHC, VHA, VXA, VXC, WKT2
					3	3	3	3	3		MEA2, MHA2, QEA2, QHA2, QHEB, QHEP, QHET, QHE4, QHE5, QHM, QHP7, QHP9, SHE2, SHE5, SHE6
					-	-	1	-	-	3325757	DHAF, PHA, QBC, QDE, QFC, QHA, QHAF, QHAJ, QHA1, QHC, VHA, VXA, VXC
					-	-	-	-	1	1142745	QHA, VXA, WKT2

NOTE A:PART NO. CHANGE D:NEWLY PROVIDED E:PART NO. DELETION K:REQUIRED NO. CORRECTION L:APPLICATION SERIAL NO. CORRECTION  
T:APPLICATION CORRECTION Z:REMARKS CHANGE

PARTS CATALOGUE NEWS

BOOKNo. :13ZL80E5

Block No.	Ref. No.	Note	Part No.	Description	Reqd. QTY					Serial No.	Parts catalogue code
					GC 135	GC 160	GC 160A	GC 135E	GC 160E		
	25	L	95002-50000	CLIP, TUBE (G9) .....	1	-	1	1	1	-----	DEAF, MEA2, MHA2, PHG, PHD, PHU, PXA, PXC, PXD, PXU, QEA, QEA2, QEA3, QFJ, QHA2, QHC1, QHE, QHEB, QHEP, QHET, QHE1, QHE2, QHE3, QHE4, QHE5, QHL, QHP7, QHP9, QHU, QHU1, QHW, SHE, SHE1, DHE2, SHE3, SHE4, SHE5, SHE6, SHJ, SHJ1, SHJ4, VHC, VHE, VHJ, VHU, VXD, VXE, VXE9, VXJ, VXU, WHE, WHJ, WME1, WME2, WXE, WXJ
					1	-	-	1	-	-----	PHA, QFC, QHA, QHA1, QHC, VHA, VXA, VXC, WKT2
					-	1	-	-	-	-----	3325757 DHAF, PHA, QBC, QDE, QFC, QHA, QHAF, QHAJ, QHA1, QHC, VHA, VXA, VXC
					-	-	1	-	-	-----	1142745 QHA, VXA, WKT2
	31	T	95002-40800-08	CLAMP, TUBE (D8) .....	-	-	1	-	-	-----	3325758 DHAF, PHA, QBC, QDE, QFC, QHA, QHAF, QHAJ, QHA1, QHC, VHA, VXA, VXC
					-	-	-	-	1	-----	1142746 QHA, VXA, WKT2
	32	T	95002-40850-08	CLAMP, TUBE (D8.5) .....	-	-	1	-	-	-----	3325758 DHAF, PHA, QBC, QDE, QFC, QHA, QHAF, QHAJ, QHA1, QHC, VHA, VXA, VXC
					-	-	-	-	1	-----	1142746 QHA, VXA, WKT2
E-28	12	T	87135-ZE2-020	LABEL, E-SPEC (15.5X27.5) .....	1	-	-	-	-	-----	1268053 QFJ, QHE, QHEB, QHEP, QHE1, QHE2, QHE3, QHE5, QHP7, QHU, SHE, SHE1, SHE6, SHJ, SHJ1, SHJ4, VHE, VHJ, VXE, VXP4, VXU, WHE, WHJ, WME1, WXE, WXJ
					-	1	-	1	1	-----	QHP7
						1				-----	1842428 PXU, QHE, QHEB, QHEP, QHET, QHE1, QHE2, QHE3, QHE4, QHE5, QHM, QHU, SHE, SHE1, SHE6, SHJ, VHE, VHJ, VX, VXE, VXJ, VXU, WHE, WHJ, WME1, WXE
					-	-	1	1	1	-----	PXU, QFJ, QHU, SHJ, SHJ1, SHJ4, VXU, WHJ
					-	-	-	1	1	-----	QHE, QHEB, QHEP, QHET, QHE1, QHE2, QHE4, QHE5, SHE, SHE1, SHE6, VXE
	15	D	87114-ZH7-821	LABEL, WARNING (NOT CERTIFIED FOR SALE)	-	-	-	-	1	-----	1142746 QHA, VXA, WKT2

NOTE A:PART NO. CHANGE D:NEWLY PROVIDED E:PART NO. DELETION K:REQUIRED NO. CORRECTION L:APPLICATION SERIAL NO. CORRECTION  
T:APPLICATION CORRECTION Z:REMARKS CHANGE

April 30, 2006



# PARTS CATALOGUE NEWS

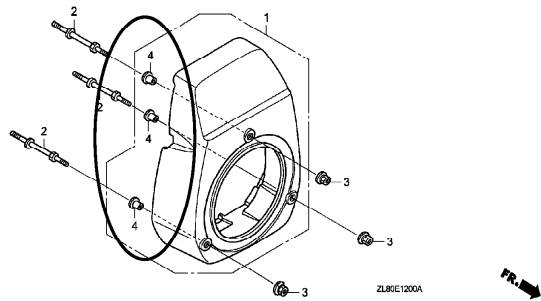
Honda Motor Co., Ltd. Service Division

## PARTS CATALOGUE - CORRECTED

Printed in Japan

CODE NO.	BOOKLET TYPE	13ZL80E5
	MICRO-FICHE	13ZL80EE/FE
PARTS CATALOGUE NEWS	GC135 GC160 GC160A GC135E GC160E	
NEWS NO.	022	

Block No.	Ref. No.	Note	Part No.	Description	Reqd. QTY					Serial No.	Parts catalogue code
					GC 135	GC 160	GC 160A	GC 135E	GC 160E		
E-12				FAN COVER							



E-12	4	D	19619-ZL8-300	COLLAR, FAN COVER .....	3	3	3	3	3		
------	---	---	---------------	-------------------------	---	---	---	---	---	--	--

NOTE A:PART NO. CHANGE D:NEWLY PROVIDED E:PART NO. DELETION K:REQUIRED NO. CORRECTION L:APPLICATION SERIAL NO. CORRECTION  
T:APPLICATION CORRECTION Z:REMARKS CHANGE

September 18, 2006



# PARTS CATALOGUE NEWS

Honda Motor Co., Ltd. Service Division

## PARTS CATALOGUE - CORRECTED

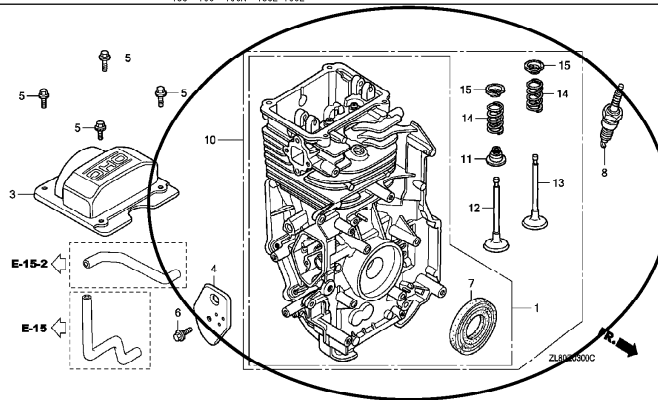
Printed in Japan

CODE NO.	BOOKLET TYPE	13ZL80E5
	MICRO-FICHE	13ZL80EE/FE
PARTS CATALOGUE NEWS	GC135 GC160 GC160A GC135E GC160E	
NEWS NO.	Q24	

Block No.	Ref. No.	Note	Part No.	Description	Reqd. QTY					Serial No.	Parts catalogue code
					GC 135	GC 160	GC 160A	GC 135E	GC 160E		

### E-3 CYLINDER BARREL

Service Item	F. R. T.
SEAL, VALVE STEM.....	1 2
VALVE, EX. ....	1 3
(ADD 0.1 FOR EACH.)	
VALVE, IN. ....	
(ADD 0.1 FOR EACH.)	



E-3	10	D	12000-ZL8-425	BARREL ASSY., CYLINDER .....	-	1	-	-	1
-----	----	---	---------------	------------------------------	---	---	---	---	---

NOTE A:PART NO. CHANGE D:NEWLY PROVIDED E:PART NO. DELETION K:REQUIRED NO. CORRECTION L:APPLICATION SERIAL NO. CORRECTION  
T:APPLICATION CORRECTION Z:REMARKS CHANGE



PARTS CATALOGUE NEWS

BOOKNo. :13ZL80E5

Block No.	Ref. No.	Note	Part No.	Description	Reqd. QTY					Serial No.	Parts catalogue code
					GC 135	GC 160	GC 160A	GC 135E	GC 160E		
					-	-	1	-	-		DHAF, MHA2, PHA, PXU, QBC, QDE, QFC, QHA, QHAF, QHAJ, QHA1, QHA2, QHC, QHE, QHEB, QHEP, QHET, QHE1, QHE2, QHE4, QHE5, QHL, QHU, SHE, SHE1, SHE6, VHA, VXA, VXC, VXE, VXU
	11	D	12000-ZL9-425	.....	1	-	-	1	-		
		D	12209-ZM0-003	SEAL, VALVE STEM .....	1	1	-	-	-		QFJ, QHP7, SHJ4, VXP5
					1	-	-	-	-		QFC
					1	-	-	-	-	1191219	PHA, PXA, PXC, PXU, QHA, QHA1, QHC, QHC1, QHE, QHEB, QHEP, QHE1, QHE2, QHE3, QHE5, QHU, SHE, SHE1, SHE2, SHE6, SHJ, SHJ1, VHA, VHC, VHE, VHJ, VXA, VXC, VXE, VXJ, VXP4, VXU, WHE, WHJ, WKT2, WME1, WME2, WXE, WXJ
					-	1	-	-	-	1758847	PHA, PHC, PXA, PXC, PXU, QBC, QFC, QHA, QHAJ, QHA1, QHA2, QHC, QHC1, QHE, QHEB, QHEP, QHET, QHE1, QHE2, QHE3, QHE4, QHE5, QHM, QHU, SHE, SHE1, SHE6, SHJ, SHJ1, VHA, VHC, VHE, VHJ, VX, VXA, VXC, VXE, VXJ, VXU, WHE, WHJ, WKT2, WME1, WME2, WXE, WXJ
	12	D	14711-ZL8-000	VALVE, IN. ....	-	-	1	1	1		
					1	1	-	1	1		
					-	-	1	-	-		DEAF, MEA2, QEA, QEAF, QEA2
		D	14711-Z0J-000	.....	-	-	1	1	-		DEAF, DHAF, MHA2, PHA, PXU, QBC, QDE, QEA, QEAF, QEA2, QFC, QHA, QHAF, QHAJ, QHA1, QHA2, QHC, QHET, QHE4, QHL, VHA, VXA, VXC
					-	-	1	-	-		QHE, QHEB, QHEP, QHE1, QHE2, QHE5, QHU, SHE, SHE1, SHE6, VXE, VXU
	13	D	14721-ZL8-000	VALVE, EX. ....	1	1	1	1	1		
	14	D	14751-ZL8-000	SPRING, VALVE .....	2	2	2	2	2		
	15	D	14771-ZE1-000	RETAINER, IN. VALVE SPRING ...	2	2	-	2	2		
					-	-	2	-	-		DHAF, MHA2, PHA, PXU, QBC, QDE, QFC, QHA, QHAF, QHAJ, QHA1, QHA2, QHC, QHE, QHEB, QHEP, QHET, QHE1, QHE2, QHE4, QHE5, QHU, SHE, SHE1, SHE6, VHA, VXA, VXE, VXU
		D	14771-Z0J-000	RETAINER, VALVE SPRING .....	-	-	2	-	-		DEAF, MEA2, QEA, QEAF, QEA2, QHL, VXC

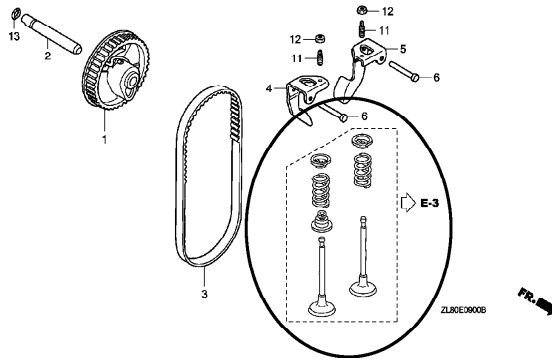
NOTE A:PART NO. CHANGE D:NEWLY PROVIDED E:PART NO. DELETION K:REQUIRED NO. CORRECTION L:APPLICATION SERIAL NO. CORRECTION  
T:APPLICATION CORRECTION Z:REMARKS CHANGE

PARTS CATALOGUE NEWS

BOOK No. : 13ZL80E5

Block No.	Ref. No.	Note	Part No.	Description	Reqd. QTY					Serial No.	Parts catalogue code
					GC 135	GC 160	GC 160A	GC 135E	GC 160E		

E-9 CAMSHAFT



E-9	7	E	14711-ZL8-000	*PARTS NO. DELETION
		E	14711-Z0J-000	*PARTS NO. DELETION
	8	E	14721-ZL8-000	*PARTS NO. DELETION
	9	E	14751-ZL8-000	*PARTS NO. DELETION
	10	E	14771-ZE1-000	*PARTS NO. DELETION
		E	14771-Z0J-000	*PARTS NO. DELETION
	14	E	12209-ZM0-003	*PARTS NO. DELETION

NOTE A:PART NO. CHANGE D:NEWLY PROVIDED E:PART NO. DELETION K:REQUIRED NO. CORRECTION L:APPLICATION SERIAL NO. CORRECTION  
T:APPLICATION CORRECTION Z:REMARKS CHANGE

September 24, 2006



# PARTS CATALOGUE NEWS

Honda Motor Co., Ltd. Service Division

## PARTS CATALOGUE - CORRECTED

CODE NO.	BOOKLET TYPE	13ZL80E5
	MICRO-FICHE	13ZL80EE/FE
PARTS CATALOGUE NEWS	GC135 GC160 GC160A GC135E GC160E	
NEWS NO.	025	

**PARTS NAME CORRECTED**

Printed in Japan

Block No.	Ref. No.	Note	Part No.	Description	Reqd. QTY						Serial No.	Parts catalogue code
					GC 135	GC 160	GC 160A	GC 135E	GC 160E			
E-19	4	Z	31110-ZL9-003	FLYWHEEL COMP. (TEC) (USE FOR IGN. COIL OF TEC)	1	1						PHA, PHG, PHD, PHU, PXA, PXC, PXD, PXU, QFC, QFJ, QHA, QHA1, QHA2, QHC, QHC1, QHE, QHEB, QHEP, QHE1, QHE2, QHE3, QHE4, QHE5, QHP7, QHP9, QHU, QHU1, QHW, SHE, SHE1, SHE2, SHE3, SHE4, SHE5, SHE6, SHJ, SHJ1, VHA, VHC, VHE, VHJ, VHU, VXA, VXC, VXD, VXE, VXJ, VXP4, VXP5, VXU, WHE, WHJ, WKT2, WME1, WME2, WXE, WXJ
		Z	31110-ZL8-004	FLYWHEEL COMP. (TEC) (USE FOR IGN. COIL OF TEC)	-	1	-	-	-	-	-	PHA, PHG, PHD, PHU, PXA, PXC, PXD, PXU, QBC, QFC, QHA, QHA1, QHA2, QHC, QHC1, QHE, QHEB, QHEP, QHE1, QHE2, QHE3, QHE4, QHE5, QHM, QHP7, QHU, QHU1, SHE, SHE1, SHE3, SHE4, SHE5, SHE6, SHJ, SHJ1, VHA, VHC, VHE, VHJ, VHU, VX, VXA, VXC, VXE, VXJ, VXU, WHE, WHJ, WKT2, WME1, WME2, WXE, WXJ
		Z	31110-Z0J-013	FLYWHEEL COMP. (PHELON) (USE FOR IGN. COIL OF PHELON)	-	-	1	-	-	-	-	DHAF, MHA2, PHA, PXU, QBC, QDE, QFC, QHA, QHAF, QHA1, QHA2, QHC, QHE, QHEB, QHEP, QHET, QHE1, QHE2, QHE4, QHE5, QHL, QHU, SHE, SHE1, SHE6, VHA, VXA, VXC, VXE, VXU
	12	Z	31110-Z0L-831	FLYWHEEL COMP. (PHELON) (USE FOR IGN. COIL OF PHELON)	-	-	1	-	-	-	-	DEAF, MEA2, QEA, QEAF, QEA2

NOTE A:PART NO. CHANGE D:NEWLY PROVIDED E:PART NO. DELETION K:REQUIRED NO. CORRECTION L:APPLICATION SERIAL NO. CORRECTION  
T:APPLICATION CORRECTION Z:REMARKS CHANGE

October 01, 2006



# PARTS CATALOGUE NEWS

Honda Motor Co., Ltd. Service Division

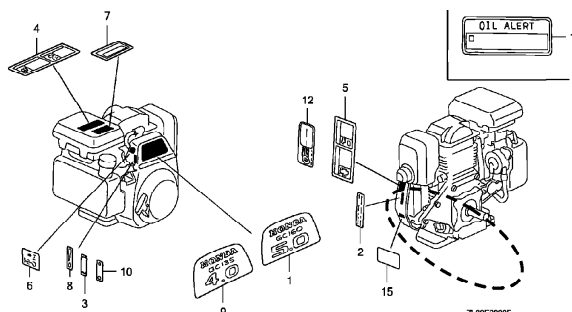
## PARTS CATALOGUE - CORRECTED

Printed in Japan

CODE NO.	BOOKLET TYPE	13ZL80E5
	MICRO-FICHE	13ZL80EE/FE
PARTS CATALOGUE NEWS	GC135 GC160 GC160A GC135E GC160E	
NEWS NO.	026	

Block No.	Ref. No.	Note	Part No.	Description	Reqd. QTY	Serial No.	Parts catalogue code
					GC 135 GC 160 GC 160A GC 135E GC 160E		

E-28 LABEL



E-28 14 E 87637-ZM3-800 \*PARTS NO. DELETION

NOTE A:PART NO. CHANGE D:NEWLY PROVIDED E:PART NO. DELETION K:REQUIRED NO. CORRECTION L:APPLICATION SERIAL NO. CORRECTION  
T:APPLICATION CORRECTION Z:REMARKS CHANGE

November 06, 2006



## PARTS CATALOGUE NEWS

Honda Motor Co., Ltd. Service Division

### PARTS CATALOGUE - CORRECTED

Printed in Japan

CODE NO.	BOOKLET TYPE	13ZL80E5
	MICRO- FICHE	13ZL80EE/FE
PARTS CATALOGUE NEWS	GC135 GC160 GC160A GC135E GC160E	
NEWS NO.	027	

Block No.	Ref. No.	Note	Part No.	Description	Reqd. QTY					Serial No.	Parts catalogue code	
					GC 135	GC 160	GC 160A	GC 135E	GC 160E			
E-8	1	T	13010-ZL8-003	RING SET, PISTON (RIKEN) . . . . .	1	1	-	-	-			
					-	-	1	-	-	-----	1029006	DHAF, MHA2, PHA, PXU, QBC, ODE, QFC, QHA, QHAF, QHAJ, QHA1, QHA2, QHC, QHE, QHEB, QHEP, QHET, QHE1, QHE2, QHE4, QHE5, QHU, SHE, SHE1, SHE6, VHA, VXA, VXC, VXE, VXU
					-	-	-	1	-	-----	-----	QFJ, QHA, QHE, QHEB, QHEP, QHE1, QHE2, QHE5, QHP7, QHU, SHE, SHE1, SHE6, SHJ, SHJ1, SHJ4, VXE, VXP5, VXU, WHJ, WKT2
					-	-	-	-	1	-----	1147457	QHA, QHE, QHEB, QHEP, QHET, QHE1, QHE2, QHE4, QHE5, QHP7, SHE, SHE1, SHE6, SHJ, VXA, VXE, WHJ, WKT2
		T	13010-ZL8-024	RING SET, PISTON (TEIKOKU) . . . . .	1	1	-	1	-	-----	-----	PHA, PXA, PXC, PXU, QBC, QFC, QFJ, QHA, QHAJ, QHA1, QHC, QHC1, QHE, QHEB, QHEP, QHET, QHE1, QHE2, QHE3, QHE5, QHM, QHP7, QHU, SHE, SHE1, SHE2, SHE6, SHJ, SHJ1, SHJ4, VHA, VHC, VHE, VHJ, VX, VXA, VXC, VXE, VXJ, VXP4, VXP5, VXU, WHE, WHJ, WKT2, WME1, WME2, WXE, WXJ
					-	1	-	-	-	-----	-----	PHC, QHA2, QHE4
					-	-	1	-	-	-----	1029006	DHAF, MHA2, PHA, PXU, QBC, ODE, QFC, QHA, QHAF, QHAJ, QHA1, QHA2, QHC, QHE, QHEB, QHEP, QHET, QHE1, QHE2, QHE4, QHE5, QHU, SHE, SHE1, SHE6, VHA, VXA, VXC, VXE, VXU

NOTE A:PART NO. CHANGE D:NEWLY PROVIDED E:PART NO. DELETION K:REQUIRED NO. CORRECTION L:APPLICATION SERIAL NO. CORRECTION  
T:APPLICATION CORRECTION Z:REMARKS CHANGE

PARTS CATALOGUE NEWS

BOOKNo. :13ZL80E5

Block No.	Ref. No.	Note	Part No.	Description	Reqd. QTY					Serial No.	Parts catalogue code	
					GC 135	GC 160	GC 160A	GC 135E	GC 160E			
					-	-	-	-	1	----- 1147457	QHA, QHE, QHEB, QHEP, QHET, QHE1, QHE2, QHE4, QHE5 QHP7, SHE, SHE1, SHE6, SHJ, VXA, VXE, WHJ, WKT2	
		T	13010-Z0L-003	RING SET, PISTON (RIKEN) .....	-	-	1	1	1	-----	DEAF, MEA2, QEA, QEAF, QEA2, QHL, QHP9, QHW, VXE9	
					-	-	1	-	-	1029007	DHAF, MHA2, PHA, PXU, QBC, QDE, QFC, QHA, QHAF, QHAJ QHA1, QHA2, QHC, QHE, QHEB, QHEP, QHET, QHE1, QHE2 QHE4, QHE5, QHU, SHE, SHE1, SHE6, VHA, VXA, VXC, VXE, VXU	
					-	-	-	-	1	1147458	QHA, QHE, QHEB, QHEP, QHET, QHE1, QHE2, QHE4, QHE5 QHP7, SHE, SHE1, SHE6, SHJ, VXA, VXE, WHJ, WKT2	
		T	13010-Z0L-004	RING SET, PISTON (STD.) (TEIKOKU)	-	-	1	1	1	-----	DEAF, MEA2, QEA, QEAF, QEA2, QHL, QHP9, QHW, VXE9	
					-	-	1	-	-	1029007	DHAF, MHA2, PHA, PXU, QBC, QDE, QFC, QHA, QHAF, QHAJ QHA1, QHA2, QHC, QHE, QHEB, QHEP, QHET, QHE1, QHE2 QHE4, QHE5, QHU, SHE, SHE1, SHE6, VHA, VXA, VXC, VXE, VXU	
					-	-	-	-	1	1147458	QHA, QHE, QHEB, QHEP, QHET, QHE1, QHE2, QHE4, QHE5 QHP7, SHE, SHE1, SHE6, SHJ, VXA, VXE, WHJ, WKT2	
		2 T	13101-ZL8-000	PISTON .....	1	1	-	-	-	-----	1029006	DHAF, MHA2, PHA, PXU, QBC, QDE, QFC, QHA, QHAF, QHAJ QHA1, QHA2, QHC, QHE, QHEB, QHEP, QHET, QHE1, QHE2 QHE4, QHE5, QHU, SHE, SHE1, SHE6, VHA, VXA, VXC, VXE, VXU
					-	-	-	1	-	-----	QFJ, QHA, QHE, QHEB, QHEP, QHE1, QHE2, QHE5, QHP7, QHU SHE, SHE1, SHE6, SHJ, SHJ1, SHJ4, VXE, VXP5, VXU, WHJ WKT2	
					-	-	-	-	1	----- 1147457	QHA, QHE, QHEB, QHEP, QHET, QHE1, QHE2, QHE4, QHE5 QHP7, SHE, SHE1, SHE6, SHJ, VXA, VXE, WHJ, WKT2	
		T	13101-Z2A-000	.....	-	-	1	1	1	-----	DEAF, MEA2, QEA, QEAF, QEA2, QHL, QHP9, QHW, VXE9	
					-	-	1	-	-	1029007	DHAF, MHA2, PHA, PXU, QBC, QDE, QFC, QHA, QHAF, QHAJ QHA1, QHA2, QHC, QHE, QHEB, QHEP, QHET, QHE1, QHE2 QHE4, QHE5, QHU, SHE, SHE1, SHE6, VHA, VXA, VXC, VXE, VXU	
					-	-	-	-	1	1147458	QHA, QHE, QHEB, QHEP, QHET, QHE1, QHE2, QHE4, QHE5 QHP7, SHE, SHE1, SHE6, SHJ, VXA, VXE, WHJ, WKT2	

NOTE A:PART NO. CHANGE D:NEWLY PROVIDED E:PART NO. DELETION K:REQUIRED NO. CORRECTION L:APPLICATION SERIAL NO. CORRECTION  
T:APPLICATION CORRECTION Z:REMARKS CHANGE

December 24, 2006



# PARTS CATALOGUE NEWS

Honda Motor Co., Ltd. Service Division

## PARTS CATALOGUE - CORRECTED

Printed in Japan

CODE NO.	BOOKLET TYPE	13ZL80E5
	MICRO-FICHE	13ZL80EE/FE
PARTS CATALOGUE NEWS	GC135 GC160 GC160A GC135E GC160E	
NEWS NO.	028	

Block No.	Ref. No.	Note	Part No.	Description	Reqd. QTY					Serial No.	Parts catalogue code
					GC 135	GC 160	GC 160A	GC 135E	GC 160E		
E-3	1	T	12000-ZL9-415	BARREL ASSY., CYLINDER .....	1	-	-	-	-	-----	QFC, QFJ, QHP7, SHJ4, VXP4, VXP5, WKT2
					1	-	-	-	-	1075750	PHA, PXA, PXC, PXU, QHA, QHA1, QHC, QHC1, QHE, QHEB, QHEP, QHE1, QHE2, QHE3, QHE4, QHE5, QHU, SHE, SHE1, SHE2, SHE6, SHJ, SHJ1, VHA, VHC, VHE, VHJ, VXA, VXC, VXE, VXJ, VXU, WHE, WHJ, WME1, WME2, WXE, WXJ
					-	-	1	-	-	-----	QHEP
		T	12000-ZL8-415	.....	-	1	-	-	-	-----	QBC, QFC, QHAJ, QHET, QHM, QHP7, WKT2
					-	1	-	-	-	1212617	PHA, PHC, PXA, PXC, PXU, QHA, QHA1, QHA2, QHC, QHC1, QHE, QHEB, QHEP, QHE1, QHE2, QHE3, QHE4, QHE5, QHU, SHE, SHE1, SHE6, SHJ, SHJ1, VHA, VHC, VHE, VHJ, VX, VXA, VXC, VXE, VXJ, VXU, WHE, WHJ, WME1, WME2, WXE, WXJ
					-	-	-	1	-	-----	QHEP
	10	T	12000-ZL8-425	BARREL ASSY., CYLINDER .....	-	-	1	-	1	-----	DHAF, MHA2, PHA, PXU, QBC, QDE, QFC, QHA, QHAF, QHAJ, QHA1, QHA2, QHC, QHE, QHEB, QHET, QHE1, QHE2, QHE4, QHE5, QHL, QHP7, QHU, SHE, SHE1, SHE6, SHJ, VHA, VXA, VXC, VXE, VXE9, VXU, WHJ, WKT2
					-	-	1	-	-	-----	QHEP

NOTE A:PART NO. CHANGE D:NEWLY PROVIDED E:PART NO. DELETION K:REQUIRED NO. CORRECTION L:APPLICATION SERIAL NO. CORRECTION  
T:APPLICATION CORRECTION Z:REMARKS CHANGE

PARTS CATALOGUE NEWS

BOOKNo. :13ZL80E5

Block No.	Ref. No.	Note	Part No.	Description	Reqd. QTY					Serial No.	Parts catalogue code
					GC 135	GC 160	GC 160A	GC 135E	GC 160E		
		T	12000-ZL9-425		-	-	-	1	-		QFJ, QHA, QHE, QHEB, QHE1, QHE2, QHE5, QHP7, QHP9, QHU, QHW, SHE, SHE1, SHE6, SHJ, SHJ1, SHJ4, VXE, VXP5, VXU, WHJ, WKT2

NOTE A:PART NO. CHANGE D:NEWLY PROVIDED E:PART NO. DELETION K:REQUIRED NO. CORRECTION L:APPLICATION SERIAL NO. CORRECTION  
T:APPLICATION CORRECTION Z:REMARKS CHANGE



January 18, 2007



# PARTS CATALOGUE NEWS

Honda Motor Co., Ltd. Service Division

## PARTS CATALOGUE - CORRECTED

Printed in Japan

CODE NO.	BOOKLET TYPE	13ZL80E5
	MICRO-FICHE	13ZL80EE/FE
PARTS CATALOGUE NEWS	GC135 GC160 GC160A GC135E GC160E	
NEWS NO.	029	

Block No.	Ref. No.	Note	Part No.	Description	Reqd. QTY					Serial No.	Parts catalogue code
					GC 135	GC 160	GC 160A	GC 135E	GC 160E		
E-11	1	T	28400-ZL8-023ZC	STARTER ASSY., RECOIL *R280*..... POWER RED				1	1		DEAF, DHAF, MEA2, PXU, QEA, QEAF, QEA2, QF-J, QHE, QHEB, QHEP, QHE2, QHE5, QHP7, QHU, SHE, SHE1, SHE6, SHJ, SHJ1, SHJ4, VXC, VXE, VXP5, VXU, WHJ, WKT2
									1		OHA, QHE1
E-12	1	T	19611-ZL8-000ZC	COVER, FAN *R280*..... POWER RED		1	1				DHAF, QHP7
						1				1804974	PHA, PXU, QHA, QHA1, QHA2, QHC, QHF, QHFB, QHFP, QHF1, QHE2, QHE3, QHE4, QHE5, QHU, SHE, SHE1, SHE6, SHJ, VHA, VHE, VHJ, VX, VXA, VXC, VXE, VXJ, VXU, WHE, WHJ, WXE
							1				PXU, QHE, QHEB, QHEP, QHE2, QHE5, QHU, SHE, SHE1, SHE6, VXC, VXE, VXU
									1		

NOTE A: PART NO. CHANGE D: NEWLY PROVIDED E: PART NO. DELETION K: REQUIRED NO. CORRECTION L: APPLICATION SERIAL NO. CORRECTION  
T: APPLICATION CORRECTION Z: REMARKS CHANGE

January 28, 2007



# PARTS CATALOGUE NEWS

Honda Motor Co., Ltd. Service Division

## PARTS CATALOGUE - CORRECTED

Printed in Japan

CODE NO.	BOOKLET TYPE	13ZL80E5
	MICRO-FICHE	13ZL80EE/FE
PARTS CATALOGUE NEWS	GC135 GC160 GC160A GC135E GC160E	
NEWS NO.	030	

Block No.	Ref. No.	Note	Part No.	Description	Reqd. QTY					Serial No.	Parts catalogue code
					GC 135	GC 160	GC 160A	GC 135E	GC 160E		
E-15	5	T	17231-Z0J-020	COVER, AIR CLEANER .....	-	-	1	-	-	-----	DEAF, DHAF, MEA2, MHA2, PHA, QDE, QEA, QEAF, QEA2, QFG, QFJ, QHAF, QHAJ, QHC, QHL, QHP7, QHP9, QHW, SHJ, SHJ1, SHJ4, VHA, VXC, WHJ, WKT2
					-	-	1	-	-	-----	QHA, QHE, QHEB, QHEP, QHE1, QHE2, QHE5, QHU, SHE, SHE1, SHE6, VXE, VXU
					-	-	-	-	1		
	E		17231-Z0L-030	*PARTS NO. DELETION							

NOTE A:PART NO. CHANGE D:NEWLY PROVIDED E:PART NO. DELETION K:REQUIRED NO. CORRECTION L:APPLICATION SERIAL NO. CORRECTION  
T:APPLICATION CORRECTION Z:REMARKS CHANGE

March 11, 2007



## PARTS CATALOGUE NEWS

Honda Motor Co., Ltd. Service Division

### PARTS CATALOGUE - CORRECTED

Printed in Japan

CODE NO.	BOOKLET TYPE	13ZL80E6
	MICRO-FICHE	13ZL80EE/FE
PARTS CATALOGUE NEWS	GC135 GC160 GC160A GC135E GC160E	
NEWS NO.	031	

Block No.	Ref. No.	Note	Part No.	Description	Reqd. QTY						Serial No.	Parts catalogue code
					GC135	GC160	GC160A	GC135E	GC160E			
E-7	12	T	13310-Z0J-650	CRANKSHAFT COMP. ....	-	-	1	-	-	3190676	DHAF	
		A	13310-Z0J-651	.....	-	-	1	-	-	-----	DEAF	
						-	-	1	-	3190677	DHAF	
E-14	8	L	16100-Z18-803	CARBURETOR ASSY (BB61B D) ...	-	-	1	-	1	-----	DEAF, DEAZ, DEB, DEAF, DEAZ, DHE, DHP7, SHJ, VXE9, WHJ	
					-	-	1	-	-	2893264	PKU, QHE, QHEB, QHEP, QHET, QHE1, QHE2, QHE4, QHE5, QHU, SHE, SHE1, SHE6, VXE, VXU	
					-	-	1	-	-	2893264 3325757	DHAF, DHAZ, PHA, QDC, QDE, QFC, QHA, DHAF, QHAJ, QHA1, QHA2, QHC, VXA, VXA, VXC	
					-	-	-	1	-	-----	QHE, QHEB, QHEP, QHET, QHE1, QHE2, QHE4, QHE5, SHE, SHE1, SHE6, VXE	
					-	-	-	1	-	-----	QHA, VXA, WKT2	
	T	16100-Z0J-003	CARBURETOR ASSY (BB61J A) ...	-	-	1	-	-	3325758	DHAF, DHAZ, PHA, QDC, QDE, QFC, QHA, DHAF, QHAJ, QHA1, QHA2, QHC, VXA, VXA, VXC		
					-	-	-	1	1142746	QHA, VXA, WKT2		

NOTE A: PART NO. CHANGE D: NEWLY PROVIDED E: PART NO. DELETION K: REQUIRED NO. CORRECTION L: APPLICATION SERIAL NO. CORRECTION  
T: APPLICATION CORRECTION Z: REMARKS CHANGE



PARTS CATALOGUE NEWS

800No. : 132.00ES

Block No.	Ref. No.	Note	Part No.	Description	Repl. BY					Serial No.	Parts catalogue code	
					QC 135	QD 136	QE 139	QF 138	QG 139E			
	9		11561-ZL8-000	STAY A, FUEL TANK .....	-	1	-	-	1			DEAF, NEA2, OEA, DEAF, OEA2
					-	-	1	-	-	3363961		DHAF, NHA2, PHA, PXU, QDC, QDE, QFC, QHA, QHAF, QHAJ, QHA1, QHA2, QHC, QHE, QHEB, QHEP, QHET, QHE1, QHE2, QHE4, QHE5, QH, QHU, SHE, SHE1, SHE5, VHA, VXA, VXC, VXE, VXU
	A		11561-ZDJ-000	.....	-	-	1	-	-	3363962		DHAF, NHA2, PHA, PXU, QDC, QDE, QFC, QHA, QHAF, QHAJ, QHA1, QHA2, QHC, QHE, QHEB, QHEP, QHET, QHE1, QHE2, QHE4, QHE5, QH, QHU, SHE, SHE1, SHE5, VHA, VXA, VXC, VXE, VXU
	11	L	11701-ZL8-000	TUBE, FUEL TANK .....	1	1	1	1	1			DEAF, PHC, PHD, PHJ, PHA, PXC, PKD, PKU, OEA, DEAF, QF-J, QHC1, QHE, QHE1, QHE2, QHE3, QHL, QHU, QHU1, QHW, SHE, SHE1, SHE3, SHE4, SHJ, SHJ1, SHJ4, VHC, VHE, VHU, VHU1, VXD, VXE, VXE5, VXL, VXU, WHE, WHJ, WHE1, WHE2, WHE, WJ
					1	1	-	1	-			PHA, QDC, QFC, QHA, QHA1, QHC, VHA, VXA, VXC, WKT2
					-	-	1	-	-	3325757		DHAF, PHA, QDC, QDE, QFC, QHA, QHAF, QHA1, QHC, VHA, VXA, VXC
					-	-	-	-	1	1142745		QHA, VXA, WKT2
	T		11701-ZDJ-000	TUBE, FUEL TANK (FRM) .....	-	-	1	-	-	3325758		DHAF, PHA, QDC, QDE, QFC, QHA, QHAF, QHA1, QHC, VHA, VXA, VXC
					-	-	-	-	1	1142746		QHA, VXA, WKT2
	13		11702-ZL8-800	TUBE, FUEL .....	1	1	1	1	1			NEA2, OEA2, QHEB, QHEP, QHET, QHE4, QHE5, QHM, QHP7, QHP9, SHE2, SHE5, SHE6
					1	1	-	-	-			QHA2
					-	-	1	-	-	3325757		NHA2, QHA2
	A		11702-ZDJ-801	TUBE, FUEL (FRM) .....	-	-	1	-	-	3325758		NHA2, QHA2
	14		11703-ZL8-800	TUBE, FUEL RETURN .....	-	1	1	-	1			NEA2, OEA2, QHEB, QHEP, QHET, QHE4, QHE5, QHM, QHP7, SHE5, SHE6
					-	1	-	-	-			QHA2
					-	-	1	-	-	3325757		NHA2, QHA2

NOTE A: PART NO. CHANGE D: NEWLY PROVIDED E: PART NO. DELETION K: REQUIRED NO. CORRECTION L: APPLICATION SERIAL NO. CORRECTION T: APPLICATION CORRECTION Z: REMARKS CHANGE

PARTS CATALOGUE NEWS

BOOK No. : 132,00ES

Block No.	Ref. No.	Note	Part No.	Description	Revol. Qty					Serial No.	Parts catalogue code
					QC 135	QD 150	QE 150a	QF 150E	QG 180E		
	A		11703-20J-801	TUBE, FUEL RETURN (FYM) .....	-	-	1	-	-	3325758	MHA2, QHA2
	22		95001-55033-40	TUBE, FUEL, 5.3K33 95001-55001-600	1	1	1	1	1	-----	NEA2, SEA2, QHEB, QHEP, QHET, QHE4, QHES, QHM, QHP7 QHP9, SHE2, SHES, SHES
					1	1	-	-	-	-----	QHA2
					-	-	1	-	-	3325757	MHA2, QHA2
	A		91425-20J-801	TUBE, FUEL, 5.3K33 (FYM) .....	-	-	1	-	-	3325758	MHA2, QHA2
	23	L	95002-02080	CLIP, TUBE (B8) .....	1	1	1	1	1	-----	DEAF, PHC, PHD, PHJ, PKA, PKC, PKD, PKU, QEA, QEAF, QF-J QHC1, QHE, QHE1, QHE2, QHE3, QHL, QHU, QHU1, QHW, SHE SHE1, SHE3, SHE4, SHJ, SHJ1, SHJM, YHC, YHE, YHU, YHU YK, YXD, YXE, YXG, YXJ, YXU, YHE, YHU, YNE1, YNE2, YXE YKJ
					1	1	-	1	-	-----	PHA, QBC, QFC, QHA, QHAJ, QHA1, QHC, YHA, YXA, YXC, WKT2
					3	3	3	3	3	-----	NEA2, SEA2, QHEB, QHEP, QHET, QHE4, QHES, QHM, QHP7 QHP9, SHE2, SHES, SHES
					3	3	-	-	-	-----	QHA2
					-	-	1	-	-	3325757	DHNF, PHA, QBC, QDE, QFC, QHA, QHAF, QHAJ, QHA1, QHC YHA, YXA, YXC
					-	-	3	-	-	3325757	MHA2, QHA2
					-	-	-	-	1	1142745	QHA, YHA, WKT2
	24	L	95002-02100	CLIP, TUBE (B10) .....	1	1	1	1	1	-----	DEAF, PHC, PHD, PHJ, PKA, PKC, PKD, PKU, QEA, QEAF, QF-J QHC1, QHE, QHE1, QHE2, QHE3, QHL, QHU, QHU1, QHW, SHE SHE1, SHE3, SHE4, SHJ, SHJ1, SHJM, YHC, YHE, YHU, YHU YK, YXD, YXE, YXG, YXJ, YXU, YHE, YHU, YNE1, YNE2, YXE YKJ
					1	1	-	1	-	-----	PHA, QBC, QFC, QHA, QHA1, QHC, YHA, YXA, YXC, WKT2
					5	5	5	5	5	-----	NEA2, SEA2, QHEB, QHEP, QHET, QHE4, QHES, QHM, QHP7 QHP9, SHE2, SHES, SHES
					5	5	-	-	-	-----	QHA2
					-	2	-	-	-	-----	QHAJ

NOTE A: PART NO. CHANGE D: NEWLY PROVIDED E: PART NO. DELETION K: REQUIRED NO. CORRECTION L: APPLICATION SERIAL NO. CORRECTION  
T: APPLICATION CORRECTION Z: REMARKS CHANGE

PARTS CATALOGUE NEWS

800No. : 132.00ES

Block No.	Ref. No.	Note	Part No.	Description	Repl. qty					Serial No.	Parts catalogue code
					QC 135	QD 136	QE 139	QF 138	QG 139E		
					-	-	1	-	-	3325757	DHAF, PHA, QBC, QDE, QFC, QHA, QHAF, QHA1, QHC, VHA, VXA, VXC
					-	-	2	-	-	3325757	QHAJ
					-	-	5	-	-	3325757	MHA2, QHAZ
					-	-	-	-	1	1142745	QHA, VXA, WKT2
25	L		95002-50000	CLIP, TUBE (D9) .....	1	-	1	1	1		DEAF, NEA2, PHC, PHD, PHU, PPA, PXC, PXD, PXU, QEA, QEAF, QEA2, QFJ, QHC1, QHE, QHEB, QHEP, QHET, QHE1, QHE2, QHE3, QHE4, QHE5, QHE, QHP7, QHP9, QH1, QH11, QH1, QH1, SHE1, SHE2, SHE3, SHE4, SHE5, SHE6, SHJ, SHJ1, SHJ4, YHC, YHE, YHJ, YHU, YXD, YXE, YXES, YXJ, YXU, YHE, YHJ, YHE1, YHE2, YXE, YXJ
					1	-	-	1	-		PHA, QFC, QHA, QHA1, QHA2, QHC, VHA, VXA, VXC, WKT2
					-	-	1	-	-	3325757	DHAF, MHA2, PHA, QBC, QDE, QFC, QHA, QHAF, QHAJ, QHA1, QHA2, QHC, VHA, VXA, VXC
					-	-	-	-	1	1142745	QHA, VXA, WKT2
26	L		95002-70000	CLIP, TUBE (D11) .....	1	1	1	1	1		DEAF, NEA2, PHC, PHD, PHU, PPA, PXC, PXD, PXU, QEA, QEAF, QEA2, QFJ, QHC1, QHE, QHEB, QHEP, QHET, QHE1, QHE2, QHE3, QHE4, QHE5, QHE, QHM, QHP7, QHP9, QH1, QH11, QH1, SHE, SHE1, SHE2, SHE3, SHE4, SHE5, SHE6, SHJ, SHJ1, SHJ4, YHC, YHE, YHJ, YHU, YX, YXD, YXE, YXES, YXJ, YXU, YHE, YHJ, YHE1, YHE2, YXE, YXJ
					1	1	-	1	-		PHA, QBC, QFC, QHA, QHA1, QHA2, QHC, VHA, VXA, VXC, WKT2
					-	-	1	-	-	3325757	DHAF, MHA2, PHA, QBC, QDE, QFC, QHA, QHAF, QHA1, QHA2, QHC, VHA, VXA, VXC
					-	-	-	-	1	1142745	QHA, VXA, WKT2
29			17704-ZL8-800	TUBE, FUEL PUMP .....	1	1	1	1	1		NEA2, QEA2, QHEB, QHEP, QHET, QHE4, QHE5, QHM, QHP7, QHP9, SHE2, SHE5, SHE6
					1	1	-	-	-		QHAJ, QHAZ
					-	-	1	-	-	3325757	MHA2, QHAJ, QHAZ
A			17704-ZQJ-801	TUBE, FUEL PUMP (FNM) .....	-	-	1	-	-	3325758	MHA2, QHAJ, QHAZ

NOTE A: PART NO. CHANGE D: NEWLY PROVIDED E: PART NO. DELETION K: REQUIRED NO. CORRECTION L: APPLICATION SERIAL NO. CORRECTION T: APPLICATION CORRECTION Z: REMARKS CHANGE

PARTS CATALOGUE NEWS

800No. : 132,00ES

Block No.	Ref. No.	Note	Part No.	Description	Repl. BY					Serial No.	Parts catalogue code
					06 135	07 136	08 139	09 139a	10 139E		
	30		11701-ZL8-800	TUBE, FUEL TANK .....	1	1	1	1	1		NEA2, QEA2, QHEB, QHEP, QHET, QHE4, QHES, QHM, QHP7 QHP9, SHE2, SHES, SHES
					1	1	-	-	-		QHA2
					-	-	1	-	-	3325757	MHA2, QHA2
	A		11701-ZD1-801	TUBE, FUEL TANK (FKM) .....	-	-	1	-	-	3325758	MHA2, QHA2
	31	T	95002-40800-08	CLAMP, TUBE (08) .....	-	-	1	-	-	3325758	DHAF, PHA, QBC, QDE, QFC, QHA, QHAF, QHAJ, QHA1, QHC VHA, VXA, VXC
					-	-	3	-	-	3325758	MHA2, QHA2
					-	-	-	-	1	1142746	QHA, VXA, WKT2
	32	T	95002-40850-08	CLAMP, TUBE (08.5) .....	-	-	1	-	-	3325758	DHAF, MHA2, PHA, QBC, QDE, QFC, QHA, QHAF, QHAJ, QHA1 QHA2, QHC, VHA, VXA, VXC
					-	-	-	-	1	1142746	QHA, VXA, WKT2
	33	T	95002-41000-08	CLAMP, TUBE (010) .....	-	-	1	-	-	3325758	DHAF, PHA, QBC, QDE, QFC, QHA, QHAF, QHA1, QHC, VHA, VXA VXC
					-	-	2	-	-	3325758	QHAJ
					-	-	5	-	-	3325758	MHA2, QHA2
					-	-	-	-	1	1142746	QHA, VXA, WKT2
	34	T	95002-41200-08	CLAMP, TUBE (012) .....	-	-	1	-	-	3325758	DHAF, MHA2, PHA, QBC, QDE, QFC, QHA, QHAF, QHA1, QHA2 QHC, VHA, VXA, VXC
					-	-	-	-	1	1142746	QHA, VXA, WKT2
E-19	12		31110-ZDL-831	FLYWHEEL COMP. (PHELOM) (USE FOR IGN. COIL OF PHELOM)	-	-	1	-	-	8003104	DEAF, NEA2, QEA, QEAF, QEA2
	A		31110-ZDL-832	.....	-	-	1	-	-	8003105	DEAF, NEA2, QEA, QEAF, QEA2
E-22	13	T	19612-ZL8-000	PLATE, SIDE .....	1	1	-	1	1		PHA, PHC, PHD, PHU, PXA, PXC, PXD, PXU, QBC, QFC, QFJ QHA, QHA2, QHC, QHE, QHE2, QHJ, QHJ, SHE, SHE2, SHES SHES, SHJ, SHE, SHJ, WKT2, RHE1, RHE2, RXE, RXJ
	D		19612-ZDL-000	.....	-	-	1	-	-		NEA2, MHA2, PHA, PXU, QBC, QEA, QEA2, QFC, QHA, QHA2 QHC, QHE, QHE2, QHJ, QHJ, SHE

NOTE A: PART NO. CHANGE D: NEWLY PROVIDED E: PART NO. DELETION K: REQUIRED NO. CORRECTION L: APPLICATION SERIAL NO. CORRECTION  
T: APPLICATION CORRECTION Z: REMARKS CHANGE



PARTS CATALOGUE NEWS

800No. : 132.00ES

Block No.	Ref. No.	Note	Part No.	Description	Revol. Qty					Serial No.	Parts catalogue code
					QC 135	QD 150	QE 150a	QF 150c	QG 180E		
E-22-1	13	T	19612-ZL8-000	PLATE, SIDE .....	1	1	-	1	1		QHAJ, QHA1, QHC1, QHEP, QHE1, QHE3, QHE5, QHM, QHU1, SHE1, SHE4
					1	-	-	-	-	1280906	QHEB
					1	-	-	-	-	1308264	QHPJ
					-	1	-	-	-	1825717	QHEB
		D	19612-ZDL-000	.....	-	-	1	-	-		QDE, QHAJ, QHA1, QHEB, QHEP, QHE1, QHE5, SHE1
E-22-2	15	T	19612-ZL8-000	PLATE, SIDE .....	1	1	-	1	1		VHA, VHD, VHE, VHL, VHU, VJ, VJA, VJC, VJD, VJE, VJF, VJG, VJH, VJI
		D	19612-ZDL-000	.....	-	-	1	-	-		VHA, VJA, VJC, VXE, VXU
E-22-3	16	T	19612-ZL8-000	PLATE, SIDE .....	1	1	-	1	1		QHE4, SHE6
		D	19612-ZDL-000	.....	-	-	1	-	-		QHE4, SHE6
E-22-4	15	T	19612-ZL8-000	PLATE, SIDE .....	1	1	-	1	1		QHE1, SHJ1, SHJ4
		D	19612-ZDL-000	.....	-	-	1	-	-		QHE1
E-22-6	8	E	19612-ZL8-000	*PARTS NO. DELETION							
		D	19612-ZDL-000	PLATE, SIDE .....	-	-	1	-	-		DEAF, DHAF, DEAF, DHAF
E-28	12	T	87135-ZE2-020	LABEL, E-SPEC (15, 5X27, 5) .....	1	-	-	-	-	1268053	QFJ, QHE, QHEB, QHEP, QHE1, QHE2, QHE3, QHE5, QHP7, QHU, SHE, SHE1, SHE6, SHJ, SHJ1, SHJ4, VIE, VJA, VXE, YXP4, YJU, WHE, WJ, WME1, WXE, WYJ
					-	1	-	1	1		QHP7
					-	1	-	-	-	1842428	PXU, QHE, QHEB, QHEP, QHE1, QHE2, QHE3, QHE4, QHE5, QHM, QHU, SHE, SHE1, SHE6, SHJ, VHE, VJU, VJ, VXE, VKJ, YJU, WHE, WJ, WME1, WXE
					-	-	-	1	1		QFJ, QHE, QHEB, QHEP, QHE1, QHE2, QHE4, QHE5, QHU, SHE, SHE1, SHE6, SHJ, SHJ1, SHJ4, VXE, VXU, WJ
	15	D	87114-ZH7-810	LABEL, WARNING (NOT CERTIFIED FOR SALE)	-	-	1	-	-		PXU, QHU, YJU
		D	87114-ZH7-820	.....	-	-	1	-	-	3353260	DHAF, DHAF2, PHA, QDC, QDE, QFC, QHA, QHAF, QHAJ, QHA1, QHAS, QHC, VHA, VJA, VJC
					-	-	-	1	-		QHA, RKT2

NOTE A: PART NO. CHANGE D: NEWLY PROVIDED E: PART NO. DELETION K: REQUIRED NO. CORRECTION L: APPLICATION SERIAL NO. CORRECTION T: APPLICATION CORRECTION Z: REMARKS CHANGE

PARTS CATALOGUE NEWS

BOOK No. : 132,005

Block No.	Ref. No.	Note	Part No.	Description	From: 61Y					Serial No.	Parts catalogue code
					66 735	67 750	68 750a	69 750E	70 750E		
		T	01144-ZH7-821	.....	-	-	1	-	-		DEAF, NEA2, OEA, OEA2
				.....	-	-	1	-	-	3353270	DHAF, NHA2, PHA, OBO, SOE, OFO, OVA, DHAF, OHAJ, OHA1 OHA2, OHC, VVA, VVA, VVO
				.....	-	-	-	-	1	1142746	OHA, VVA, WKT2
E-40	19		16700-ZL8-013	PUMP ASSY., FUEL .....	-	-	-	1	-	1116937	VXPS
		A	16700-ZD4-003	.....	-	-	-	1	-	1116938	VXPS

NOTE A: PART NO. CHANGE D: NEWLY PROVIDED E: PART NO. DELETION K: REQUIRED NO. CORRECTION L: APPLICATION SERIAL NO. CORRECTION  
T: APPLICATION CORRECTION Z: REMARKS CHANGE

March 25, 2007



## PARTS CATALOGUE NEWS

Honda Motor Co., Ltd. Service Division

### PARTS CATALOGUE - CORRECTED

Printed in Japan

CODE NO.	BOOKLET TYPE	13ZL80E5
	MICRO-FICHE	13ZL80EE/FE
PARTS CATALOGUE NEWS		GC135 GC160 GC160A GC135E GC160E
NEWS NO.		032

Block No.	Ref. No.	Note	Part No.	Description	Req'd. QTY					Serial No.	Parts catalogue code
					02 135	03 160	04 160A	05 135E	06 160E		
E-6	I	E	11300-2L8-630	+PARTS NO. DELETION							
		D	11300-2L8-010	COVER ASSY., CRANKCASE .....	1	1	-	1	1	-----	WKT2, VME2, WVE, WXJ

NOTE A: PART NO. CHANGE D: NEWLY PROVIDED E: PART NO. DELETION K: REQUIRED NO. CORRECTION L: APPLICATION SERIAL NO. CORRECTION  
T: APPLICATION CORRECTION Z: REMARKS CHANGE

May 24, 2007



# PARTS CATALOGUE NEWS

Honda Motor Co., Ltd. Service Division

## PARTS CATALOGUE - CORRECTED

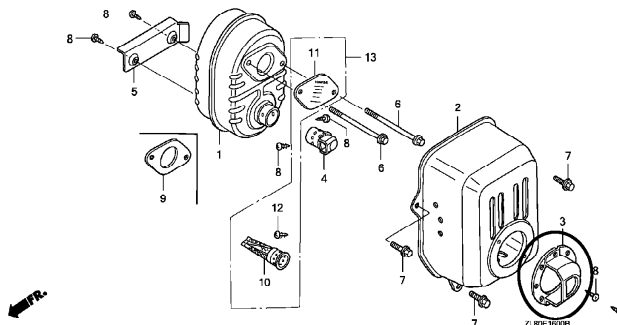
Printed in Japan

CODE NO.	BOOKLET TYPE	13ZL80E5
	MICRO-FICHE	13ZL80EE/FE
PARTS CATALOGUE NEWS	GC135 GC160 GC160A GC135E GC160E	
NEWS NO.	033	

Block No.	Ref. No.	Note	Part No.	Description	Reqd. QTY					Serial No.	Parts catalogue code
					GC 135	GC 160	GC 160A	GC 135E	GC 160E		

E-16 MUFFLER

ILLUSTRATION CORRECTED



NOTE A:PART NO. CHANGE D:NEWLY PROVIDED E:PART NO. DELETION K:REQUIRED NO. CORRECTION L:APPLICATION SERIAL NO. CORRECTION T:APPLICATION CORRECTION Z:REMARKS CHANGE

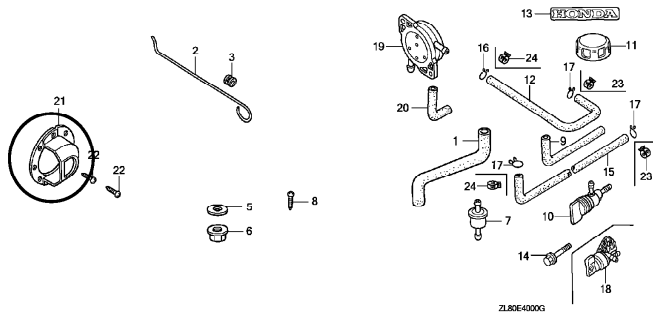
PARTS CATALOGUE NEWS

BOOK No. : 13ZL80E5

Block No.	Ref. No.	Note	Part No.	Description	Reqd. QTY					Serial No.	Parts catalogue code
					GC 135	GC 160	GC 160A	GC 135E	GC 160E		

E-40 OTHER PARTS

ILLUSTRATION CORRECTED



NOTE A:PART NO. CHANGE D:NEWLY PROVIDED E:PART NO. DELETION K:REQUIRED NO. CORRECTION L:APPLICATION SERIAL NO. CORRECTION  
T:APPLICATION CORRECTION Z:REMARKS CHANGE

June 11, 2007



# PARTS CATALOGUE NEWS

Honda Motor Co., Ltd. Service Division

## PARTS CATALOGUE - CORRECTED

Printed in Japan

CODE NO.	BOOKLET TYPE	13ZL80E5
	MICRO-FICHE	13ZL80EE/FE
PARTS CATALOGUE NEWS	GC135 GC160 GC160A GC135E GC160E	
NEWS NO.	034	

Block No.	Ref. No.	Note	Part No.	Description	Reqd. QTY					Serial No.	Parts catalogue code
					GC135	GC160	GC160A	GC135E	GC160E		
E-14	8	L	16100-ZL8-803	CARBURETOR ASSY. (BB61B D) ...	-	-	1	-	1	-----	OHL, QHP7, SHJ, VXE9, WHJ
					-	-	1	-	-	-----	3327391 DEAF, MEA2, QEA, QEAF, QEA2
					-	-	1	-	-	2893264	PXU, QHE, QHEB, QHEP, QHET, QHE1, QHE2, QHE4, QHE5, QHU, SHE, SHE1, SHE6, VXE, VXU
					-	-	1	-	-	2893264	3325758 DHAF, MHA2, PHA, QBC, QDE, QFC, QHA, QHAF, QHAJ, QHA1, QHA2, QHC, VHA, VXA, VXC
					-	-	-	-	1	-----	QHE, QHEB, QHEP, QHET, QHE1, QHE2, QHE4, QHE5, SHE, SHE1, SHE6, VXE
					-	-	-	-	1	-----	1142745 QHA, VXA, WKT2
T	16100-Z0J-003		CARBURETOR ASSY. (BB61J A) ...	-	-	1	-	-	3325758	DHAF, MHA2, PHA, QBC, QDE, QFC, QHA, QHAF, QHAJ, QHA1, QHA2, QHC, VHA, VXA, VXC	
				-	-	1	-	-	3327392	DEAF, MEA2, QEA, QEAF, QEA2	
				-	-	-	-	1	1142746	QHA, VXA, WKT2	
				-	-	-	-	-	-----	PHC, PHD, PHU, PXA, PXC, PXD, PXU, QHE, QHE1, QHE2, QHL, QHU, SHE, SHE1, VXE, VXU, WHJ	
E-17	11	L	17701-ZL8-000	TUBE, FUEL TANK	1	1	1	1	-----		

NOTE A:PART NO. CHANGE D:NEWLY PROVIDED E:PART NO. DELETION K:REQUIRED NO. CORRECTION L:APPLICATION SERIAL NO. CORRECTION  
T:APPLICATION CORRECTION Z:REMARKS CHANGE

PARTS CATALOGUE NEWS

BOOKNo. :13ZL80E5

Block No.	Ref. No.	Note	Part No.	Description	Reqd. QTY					Serial No.	Parts catalogue code	
					GC 135	GC 160	GC 160A	GC 135E	GC 160E			
					1	1	-	1	1	-----	-----	PHA, QBC, QFC, QFJ, QHA1, QHC, QHC1, QHE3, QHU1, QHW, SHE3, SHE4, SHJ, SHJ1, SHJ4, VHA, VHC, VHE, VHJ, VHU, VX, VXC, VXD, VXE9, VXJ, WHE, WME1, WME2, WXE, WXJ
					1	1	-	1	-	-----	-----	QHA, VXA, WKT2
					-	-	1	-	-	-----	3325757	DHAF, PHA, QBC, QDE, QFC, QHA, QHAF, QHA1, QHC, VHA, VXA, VXC
					-	-	1	-	-	-----	3327391	DEAF, QEA, QEAF
					-	-	-	-	1	-----	1142745	QHA, VXA, WKT2
		T	17701-Z0J-003	TUBE, FUEL TANK (FKM) .....	-	-	1	-	-	-----	3325758	DHAF, PHA, QBC, QDE, QFC, QHA, QHAF, QHA1, QHC, VHA, VXA, VXC
					-	-	1	-	-	-----	3327392	DEAF, QEA, QEAF
					-	-	-	-	1	-----	1142746	QHA, VXA, WKT2
12	L		17702-ZL8-000	TUBE, FUEL .....	1	1	1	1	1	-----	-----	PHC, PHD, PHU, PXA, PXC, PXD, PXU, QHE, QHE1, QHE2, QHL, QHU, SHE, SHE1, VXE, VXU, WHJ
					1	1	-	1	1	-----	-----	PHA, QBC, QFC, QFJ, QHAJ, QHA1, QHC, QHC1, QHE3, QHU1, QHW, SHE3, SHE4, SHJ, SHJ1, SHJ4, VHA, VHC, VHE, VHJ, VHU, VX, VXC, VXD, VXE9, VXJ, WHE, WME1, WME2, WXE, WXJ
					1	1	-	1	-	-----	-----	QHA, VXA, WKT2
					-	-	1	-	-	-----	3325757	DHAF, PHA, QBC, QDE, QFC, QHA, QHAF, QHAJ, QHA1, QHC, VHA, VXA, VXC
					-	-	1	-	-	-----	3327391	DEAF, QEA, QEAF
					-	-	-	-	1	-----	1142745	QHA, VXA, WKT2
		T	17702-Z0J-003	TUBE, FUEL (FKM) .....	-	-	1	-	-	-----	3325758	DHAF, PHA, QBC, QDE, QFC, QHA, QHAF, QHAJ, QHA1, QHC, VHA, VXA, VXC
					-	-	1	-	-	-----	3327392	DEAF, QEA, QEAF
					-	-	-	-	1	-----	1142746	QHA, VXA, WKT2
13	L		17702-ZL8-800	TUBE, FUEL .....	1	1	1	1	1	-----	-----	QHEB, QHEP, QHET, QHE4, QHE5, SHE6
					1	1	-	1	1	-----	-----	QHA2, QHM, QHP7, QHP9, SHE2, SHE5
					-	-	1	-	-	-----	3325757	MHA2, QHA2

NOTE A:PART NO. CHANGE D:NEWLY PROVIDED E:PART NO. DELETION K:REQUIRED NO. CORRECTION L:APPLICATION SERIAL NO. CORRECTION  
T:APPLICATION CORRECTION Z:REMARKS CHANGE

PARTS CATALOGUE NEWS

BOOKNo. :13ZL80E5

Block No.	Ref. No.	Note	Part No.	Description	Reqd. QTY					Serial No.	Parts catalogue code
					GC 135	GC 160	GC 160A	GC 135E	GC 160E		
					-	-	1	-	-	3327391	MEA2, QEA2
	T		17702-Z0J-801	TUBE, FUEL (FKM) .....	-	-	1	-	-	3325758	MHA2, QHA2
					-	-	1	-	-	3327392	MEA2, QEA2
14	L		17703-ZL8-800	TUBE, FUEL RETURN .....	-	1	1	-	1		QHEB, QHEP, QHET, QHE4, QHE5, QHM, SHE6
					-	1	-	-	1		QHA2, QHP7, SHE5
					-	-	1	-	-	3325757	MHA2, QHA2
					-	-	1	-	-	3327391	MEA2, QEA2
	T		17703-Z0J-801	TUBE, FUEL RETURN (FKM) .....	-	-	1	-	-	3325758	MHA2, QHA2
					-	-	1	-	-	3327392	MEA2, QEA2
22	L		95001-55033-40	TUBE, FUEL, 5.3X33 (95001-55001-60M)	1	1	1	1	1		QHEB, QHEP, QHET, QHE4, QHE5, SHE6
					1	1	-	1	1		QHA2, QHM, QHP7, QHP9, SHE2, SHE5
					-	-	1	-	-	3325757	MHA2, QHA2
					-	-	1	-	-	3327391	MEA2, QEA2
	T		91425-Z0J-801	TUBE, FUEL, 5.3X33 (FKM) .....	-	-	1	-	-	3325758	MHA2, QHA2
					-	-	1	-	-	3327392	MEA2, QEA2
23	L		95002-02080	GLIP, TUBE (B8) .....	1	1	1	1	1		PHC, PHD, PHU, PXA, PXC, PXD, PXU, QHE, QHE1, QHE2, QHL, QHU, SHE, SHE1, VXE, VXU, WHJ
					1	1	-	1	1		PIA, QDC, QFC, QFJ, QIAJ, QIA1, QIC, QIC1, QIE3, QIU1, QHW, SHE3, SHE4, SHJ, SHJ1, SHJ4, VHA, VHC, VHE, VHJ, VHU, VX, VXC, VXD, VXE9, VXJ, WHE, WME1, WME2, WXE, WXJ
					1	1	-	1	-		QHA, VXA, WKT2
					3	3	3	3	3		QHEB, QHEP, QHET, QHE4, QHE5, SHE6
					3	3	-	3	3		QHA2, QHM, QHP7, QHP9, SHE2, SHE5
					-	-	1	-	-	3325757	DHAF, PHA, QBC, QDE, QFC, QHA, QHAF, QHAJ, QHA1, QHC, VHA, VXA, VXC
					-	-	1	-	-	3327391	DEAF, QEA, QEAF

NOTE A:PART NO. CHANGE D:NEWLY PROVIDED E:PART NO. DELETION K:REQUIRED NO. CORRECTION L:APPLICATION SERIAL NO. CORRECTION  
T:APPLICATION CORRECTION Z:REMARKS CHANGE



PARTS CATALOGUE NEWS

BOOKNo. :13ZL80E5

Block No.	Ref. No.	Note	Part No.	Description	Reqd. QTY					Serial No.	Parts catalogue code
					GC 135	GC 160	GC 160A	GC 135E	GC 160E		
					-	-	3	-	-	----- 3325757	MHA2, QHA2
					-	-	3	-	-	----- 3327391	MEA2, QEA2
					-	-	-	-	1	----- 1142745	QHA, VXA, WKT2
24	L		95002-02100	CLIP, TUBE (B10) .....	1	1	1	1	1	-----	PHC, PHD, PHU, PXA, PXC, PXD, PXU, QHE, QHE1, QHE2, QHL, QHU, SHE, SHE1, VXE, VXU, WHJ
					1	1	-	1	1	-----	PHA, QBC, QFC, QFJ, QHA1, QHC, QHC1, QHE3, QHU1, QHW, SHE3, SHE4, SHJ, SHJ1, SHJ4, VHA, VHC, VHE, VHJ, VHU, VX, VXC, VXD, VXE9, VXJ, WHE, WME1, WME2, WXE, WXJ
					1	1	-	1	-	-----	QHA, VXA, WKT2
					5	2	-	5	-	-----	QHAJ, QHP9, SHE2
					5	5	5	5	5	-----	QHEB, QHEP, QHET, QHE4, QHE5, SHE6
					5	5	-	5	5	-----	QHA2, QHM, QHP7, SHE5
					-	-	1	-	-	----- 3325757	DHAF, PHA, QBC, QDE, QFC, QHA, QHAF, QHA1, QHC, VHA, VXA, VXC
					-	-	1	-	-	----- 3327391	DEAF, QEA, QEAF
					-	-	2	-	-	----- 3325757	QHAJ
					-	-	5	-	-	----- 3325757	MHA2, QHA2
					-	-	5	-	-	----- 3327391	MEA2, QEA2
					-	-	-	-	1	----- 1142745	QHA, VXA, WKT2
25	L		95002-50000	CLIP, TUBE (G9) .....	1	-	1	1	1	-----	PHC, PHD, PHU, PXA, PXC, PXD, PXU, QHE, QHEB, QHEP, QHET, QHE1, QHE2, QHE4, QHE5, QHL, QHU, SHE, SHE1, SHE6, SHJ, VXE, VXU, WHJ
					1	-	-	1	1	-----	PHA, QFC, QFJ, QHA1, QHA2, QHC, QHC1, QHE3, QHP7, QHP9, QHU1, QHW, SHE2, SHE3, SHE4, SHE5, SHJ1, SHJ4, VHA, VHC, VHE, VHJ, VHU, VXC, VXD, VXE9, VXJ, WHE, WME1, WME2, WXE, WXJ
					1	-	-	1	-	-----	QHA, VXA, WKT2
					-	1	-	-	-	-----	

NOTE A:PART NO. CHANGE D:NEWLY PROVIDED E:PART NO. DELETION K:REQUIRED NO. CORRECTION L:APPLICATION SERIAL NO. CORRECTION  
T:APPLICATION CORRECTION Z:REMARKS CHANGE

PARTS CATALOGUE NEWS

BOOKNo. :13ZL80E5

Block No.	Ref. No.	Note	Part No.	Description	Reqd. QTY					Serial No.	Parts catalogue code
					GC 135	GC 160	GC 160A	GC 135E	GC 160E		
					-	-	1	-	-	----- 3325757	DHAF, MHA2, PHA, QBC, QDE, QFC, QHA, QHAF, QHAJ, QHA1 QHA2, QHC, VHA, VXA, VXC
					-	-	1	-	-	----- 3327391	DEAF, MEA2, QEA, QEAF, QEA2
					-	-	-	-	1	----- 1142745	QHA, VXA, WKT2
	26	L	95002-70000	CLIP, TUBE (C11) .....	1	1	1	1	1	----- -----	PHC, PHD, PHU, PXA, PXC, PXD, PXU, QHE, QHEB, QHEP, QHET QHE1, QHE2, QHE4, QHE5, QHL, QHU, SHE, SHE1, SHE6, SHJ VXE, VXU, WHJ
					1	1	-	1	1	----- -----	PHA, QBC, QFC, OFJ, QHA1, QHA2, QHC, QHC1, QHE3, QHM QHP7, QHP9, QHU1, QHW, SHE2, SHE3, SHE4, SHE5, SHJ1 SHJ4, VHA, VHC, VHE, VHJ, VHU, VX, VXC, VXD, VXE9, VXJ WHE, WME1, WME2, WXE, WXJ
					1	1	-	1	-	----- -----	QHA, VXA, WKT2
					-	-	1	-	-	----- 3325757	DHAF, MHA2, PHA, QBC, QDE, QFC, QHA, QHAF, QHA1, QHA2 QHC, VHA, VXA, VXC
					-	-	1	-	-	----- 3327391	DEAF, MEA2, QEA, QEAF, QEA2
					-	-	-	-	1	----- 1142745	QHA, VXA, WKT2
	29	L	17704-ZL8-800	TUBE, FUEL PUMP .....	1	1	1	1	1	----- -----	QHEB, QHEP, QHET, QHE4, QHE5, SHE6
					1	1	-	1	1	----- -----	QHAJ, QHA2, QHM, QHP7, QHP9, SHE2, SHE5
					-	-	1	-	-	----- 3325757	MHA2, QHAJ, QHA2
					-	-	1	-	-	----- 3327391	MEA2, QEA2
		T	17704-Z0J-801	TUBE, FUEL PUMP (FKM) .....	-	-	1	-	-	3325758 -----	MHA2, QHAJ, QHA2
					-	-	1	-	-	3327392 -----	MEA2, QEA2
	30	L	17701-ZL8-800	TUBE, FUEL TANK .....	1	1	1	1	1	----- -----	QHEB, QHEP, QHET, QHE4, QHE5, SHE6
					1	1	-	1	1	----- -----	QHA2, QHM, QHP7, QHP9, SHE2, SHE5
					-	-	1	-	-	----- 3325757	MHA2, QHA2
					-	-	1	-	-	----- 3327391	MEA2, QEA2
		T	17701-Z0J-801	TUBE, FUEL TANK (FKM) .....	-	-	1	-	-	3325758 -----	MHA2, QHA2
					-	-	1	-	-	3327392 -----	MEA2, QEA2

NOTE A:PART NO. CHANGE D:NEWLY PROVIDED E:PART NO. DELETION K:REQUIRED NO. CORRECTION L:APPLICATION SERIAL NO. CORRECTION  
T:APPLICATION CORRECTION Z:REMARKS CHANGE

PARTS CATALOGUE NEWS

BOOKNo. :13ZL80E5

Block No.	Ref. No.	Note	Part No.	Description	Reqd. QTY					Serial No.	Parts catalogue code	
					GC 135	GC 160	GC 160A	GC 135E	GC 160E			
31	T		95002-40800-08	CLAMP, TUBE (D8) .....	-	-	1	-	-	3325758	-----	DHAF, PHA, QBC, QDE, QFC, QHA, QHAF, QHAJ, QHA1, QHC VHA, VXA, VXC
					-	-	1	-	-	3327392	-----	DEAF, QEA, QEAF
					-	-	3	-	-	3325758	-----	MHA2, QHA2
					-	-	3	-	-	3327392	-----	MEA2, QEA2
					-	-	-	-	1	1142746	-----	QHA, VXA, WKT2
32	T		95002-40850-08	CLAMP, TUBE (D8.5) .....	-	-	1	-	-	3325758	-----	DHAF, MHA2, PHA, QBC, QDE, QFC, QHA, QHAF, QHAJ, QHA1 QHA2, QHC, VHA, VXA, VXC
					-	-	1	-	-	3327392	-----	DEAF, MEA2, QEA, QEAF, QEA2
					-	-	-	-	1	1142746	-----	QHA, VXA, WKT2
33	T		95002-41000-08	CLAMP, TUBE (D10) .....	-	-	1	-	-	3325758	-----	DHAF, PHA, QBC, QDE, QFC, QHA, QHAF, QHA1, QHC, VHA, VXA VXC
					-	-	1	-	-	3327392	-----	DEAF, QEA, QEAF
					-	-	2	-	-	3325758	-----	QHAJ
					-	-	5	-	-	3325758	-----	MHA2, QHA2
					-	-	5	-	-	3327392	-----	MEA2, QEA2
34	T		95002-41200-08	CLAMP, TUBE (D12) .....	-	-	-	-	1	1142746	-----	QHA, VXA, WKT2
					-	-	1	-	-	3325758	-----	DHAF, MHA2, PHA, QBC, QDE, QFC, QHA, QHAF, QHA1, QHA2 QHC, VHA, VXA, VXC
					-	-	1	-	-	3327392	-----	DEAF, MEA2, QEA, QEAF, QEA2
-	-	-	-	1	1142746	-----	QHA, VXA, WKT2					

NOTE A:PART NO. CHANGE D:NEWLY PROVIDED E:PART NO. DELETION K:REQUIRED NO. CORRECTION L:APPLICATION SERIAL NO. CORRECTION  
T:APPLICATION CORRECTION Z:REMARKS CHANGE

July 08, 2007



## PARTS CATALOGUE NEWS

Honda Motor Co., Ltd. Service Division

### PARTS CATALOGUE - CORRECTED

Printed in Japan

CODE NO.	BOOKLET TYPE	13ZL80E5
	MICRO-FICHE	13ZL80EE/FE
PARTS CATALOGUE NEWS	GC135 GC160 GC160A GC135E GC160E	
NEWS NO.	035	

Block No.	Ref. No.	Note	Part No.	Description	Reqd. QTY					Serial No.	Parts catalogue code
					GC135	GC160	GC160A	GC135E	GC160E		
E-28	15	E	87114-ZH7-820	* PARTS NO. DELETION							
		T	87114-ZH7-821	LABEL, WARNING (NOT CERTIFIED FOR SALE)	-	-	1	-	-	3325758	----- DHAF, MHA2, PHA, QBC, QDE, QFC, QHA, QHAF, QHAJ, QHA1 QHA2, QHC, VHA, VXA, VXC
					-	-	1	-	-	3327392	----- DEAF, MEA2, QEA, QEAF, QEA2
					-	-	-	-	1	1142746	----- QHA, VXA, WKT2

NOTE A:PART NO. CHANGE D:NEWLY PROVIDED E:PART NO. DELETION K:REQUIRED NO. CORRECTION L:APPLICATION SERIAL NO. CORRECTION  
T:APPLICATION CORRECTION Z:REMARKS CHANGE

July 16, 2007



# PARTS CATALOGUE NEWS

Honda Motor Co., Ltd. Service Division

## PARTS CATALOGUE - CORRECTED

Printed in Japan

CODE NO.	BOOKLET TYPE	13ZL80E5
	MICRO-FICHE	13ZL80EE/FE
PARTS CATALOGUE NEWS	GC135 GC160 GC160A GC135E GC160E	
NEWS NO.	036	

Block No.	Ref. No.	Note	Part No.	Description	Reqd. QTY					Serial No.	Parts catalogue code	
					GC135	GC160	GC160A	GC135E	GC160E			
E-8	1	L	13010-ZOL-003	RING SET, PISTON (RIKEN) . . . . .	-	-	1	-	1	-----	DEAF, MEA2, QEA, QEAF, QEA2, QHP9, QHW, VXE9	
					-	-	1	-	-	-----	3598775 OHL	
					-	-	1	-	-	1029007	3598775 DHAF, MHA2, PHA, PXU, QBC, ODE, QFC, QHA, QHAF, QHAJ, QHA1, QHA2, QHC, QHE, QHEB, QHEP, QHET, QHE1, QHE2, QHE4, QHE5, QHU, SHE, SHE1, SHE6, VHA, VXA, VXC, VXE, VXU	
					-	-	-	-	1	1147458	-----	QHA, QHE, QHEB, QHEP, QHET, QHE1, QHE2, QHE4, QHE5, QHP7, SHE, SHE1, SHE6, SHJ, VXA, VXE, WHJ, WKT2
			13010-ZOL-004	RING SET, PISTON (STD.) (TEIKOKU)	-	-	1	1	1	-----	DEAF, MEA2, QEA, QEAF, QEA2, QHP9, QHW, VXE9	
					-	-	1	-	-	-----	3598775 OHL	
					-	-	1	-	-	1029007	3598775 DHAF, MHA2, PHA, PXU, QBC, ODE, QFC, QHA, QHAF, QHAJ, QHA1, QHA2, QHC, QHE, QHEB, QHEP, QHET, QHE1, QHE2, QHE4, QHE5, QHU, SHE, SHE1, SHE6, VHA, VXA, VXC, VXE, VXU	
					-	-	-	-	1	1147458	-----	QHA, QHE, QHEB, QHEP, QHET, QHE1, QHE2, QHE4, QHE5, QHP7, SHE, SHE1, SHE6, SHJ, VXA, VXE, WHJ, WKT2

NOTE A:PART NO. CHANGE D:NEWLY PROVIDED E:PART NO. DELETION K:REQUIRED NO. CORRECTION L:APPLICATION SERIAL NO. CORRECTION  
T:APPLICATION CORRECTION Z:REMARKS CHANGE

PARTS CATALOGUE NEWS

BOOKNo. :13ZL80E5

Block No.	Ref. No.	Note	Part No.	Description	Reqd. QTY					Serial No.	Parts catalogue code	
					GC 135	GC 160	GC 160A	GC 135E	GC 160E			
		A	13010-Z0L-014	.....	-	-	1	-	-	3598776	-----	DHAF, MHA2, PHA, PXU, QBC, QDE, QFC, QHA, QHAF, QHAJ, QHA1, QHA2, QHC, QHE, QHEB, QHEP, QHET, QHE1, QHE2, QHE4, QHE5, QHL, QHU, SHE, SHE1, SHE6, VHA, VXA, VXC, VXE, VXU
	2		13101-Z2A-000	PISTON .....	-	-	1	1	1	-----	-----	DEAF, MEA2, QEA, QEAF, QEA2, QHP9, QHW, VXE9
					-	-	1	-	-	-----	3598775	QHL
					-	-	1	-	-	1029007	3598775	DHAF, MHA2, PHA, PXU, QBC, QDE, QFC, QHA, QHAF, QHAJ, QHA1, QHA2, QHC, QHE, QHEB, QHEP, QHET, QHE1, QHE2, QHE4, QHE5, QHU, SHE, SHE1, SHE6, VHA, VXA, VXC, VXE, VXU
					-	-	-	-	1	1147458	-----	QHA, QHE, QHEB, QHEP, QHET, QHE1, QHE2, QHE4, QHE5, QHP7, SHE, SHE1, SHE6, SHJ, VXA, VXE, WHJ, WKT2
		A	13101-Z2A-010	.....	-	-	1	-	-	3598776	-----	DHAF, MHA2, PHA, PXU, QBC, QDE, QFC, QHA, QHAF, QHAJ, QHA1, QHA2, QHC, QHE, QHEB, QHEP, QHET, QHE1, QHE2, QHE4, QHE5, QHL, QHU, SHE, SHE1, SHE6, VHA, VXA, VXC, VXE, VXU
E-28	15	1	8/114-ZH7-840	LABEL, WARNING (NOT CERTIFIED FOR SALE)	-	-	1	-	-	3364530	-----	QHE, QHEB, QHEP, QHET, QHE1, QHE2, QHE4, QHE5, QHL, SHE, SHE1, SHE6, VXE
					-	-	-	-	1	-----	-----	VXE9

NOTE A:PART NO. CHANGE D:NEWLY PROVIDED E:PART NO. DELETION K:REQUIRED NO. CORRECTION L:APPLICATION SERIAL NO. CORRECTION T:APPLICATION CORRECTION Z:REMARKS CHANGE

August 09, 2007



# PARTS CATALOGUE NEWS

Honda Motor Co., Ltd. Service Division

## PARTS CATALOGUE - CORRECTED

Printed in Japan

CODE NO.	BOOKLET TYPE	13ZL80E5
	MICRO-FICHE	13ZL80EE/FE
PARTS CATALOGUE NEWS	GC135 GC160 GC160A GC135E GC160E	
NEWS NO.	037	

Block No.	Ref. No.	Note	Part No.	Description	Reqd. QTY					Serial No.	Parts catalogue code
					GC135	GC160	GC160A	GC135E	GC160E		
E-17	5		17511-ZL8-800	TANK, FUEL .....	-	1	1	-	1	-----	MEA2, QEA2, QHM, QHP7, SHE5
						-	1	-	1	-----	QHA2, QHEB, QHEP, QHET, QHE4, QHE5, SHE6
						-	-	1	-	3682471	MHA2, QHA2, QHEB, QHEP, QHET, QHE4, QHE5, SHE6
		A	17511-Z0J-820	.....	-	-	1	-	-	3682472	MHA2, QHA2, QHEB, QHEP, QHET, QHE4, QHE5, SHE6

NOTE A:PART NO. CHANGE D:NEWLY PROVIDED E:PART NO. DELETION K:REQUIRED NO. CORRECTION L:APPLICATION SERIAL NO. CORRECTION  
T:APPLICATION CORRECTION Z:REMARKS CHANGE



## PARTS CATALOGUE NEWS

Honda Motor Co., Ltd. Service Division

November 19, 2007

CODE NO.	BOOKLET TYPE	13ZL80E5
	MICRO-FICHE	13ZL80EE/FE
PARTS CATALOGUE NEWS	GC135 GC160 GC160A GC135E GC160E	
NEWS NO.	038	

Printed in Japan

### GC160A-QHR AND VXR TYPES sales parts information

NOTE: This Parts Catalogue News explains only the parts of the different model that are produced to conform to addition of the GC160A-QHR and VXR types.

As for the parts not listed on this Parts Catalogue News, use the parts of the GC160A-QHA and VXA types.

#### •Models, parts catalogue codes and applicable serial numbers

Model	Type		Parts catalogue type	Applicable engine serial No.	Applicable carburetor identification No.
GC160A	QHA	Base type	QHA	GCAHA-1000001~	BB61B C / D BB61J A
	QHR	Additional type	QHR		BB61J A
	VXA	Base type	VXA		BB61B C / D BB61J A
	VXR	Additional type	VXR		BB61J A



•Features of each type		Base type	Additional type	Base type	Additional type
Model		GC160A			
Type		QHA	QHR	VXA	VXR
Specifications Crankshaft	18mmØ x 50mm Straight				
	19.05mmØ x 48mm Straight				
	19.05mmØ x 58.5mm Straight	●	●		
	20mmØ x 50mm Straight				
	22.2mmØ x 30.1mm Straight				
	22.5mmØ x 64mm Straight				
	M14 x 1.5 Stepped thread				
	M18 x 1.5 Stepped thread				
	3/4" Thread				
	19.177mmØ x 71.5mm Tapered			●	●
Oil level switch				●	●
Engine stop switch		●	●	●	●

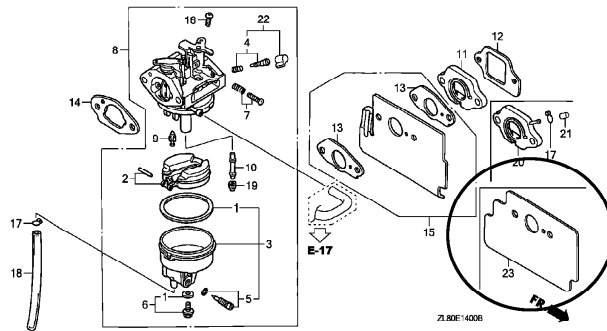
Block No.	Ref. No.	Part No.	Description	Reqd. QTY						Base Part No.	Parts catalogue code
				GC 135	GC 160	GC 160A	GC 135E	GC 160E			
E-3	1	12000-Z0L-406	BARREL ASSY., CYLINDER .....	-	-	1	-	-			
	3	12310-Z0J-000	COVER COMP., CYLINDER HEAD ...	-	-	1	-	-	12311-ZL8-000		
	10		BARREL ASSY., CYLINDER .....	-	-	0	-	-	12000-ZL8-425		
	12		VALVE, IN. (ROCKNEL) .....	-	-	0	-	-	14711-Z0J-000		
	15		RETAINER, IN. VALVE SPRING ...	-	-	0	-	-	14771-ZE1-000		

PARTS CATALOGUE NEWS

BOOKNo. :13ZL80E5

Block No.	Ref. No.	Part No.	Description	Reqd. QTY				Base Part No.	Parts catalogue code
				GC 135	GC 160	GC 160A	GC 135E 160E		
E-6	2	15625-Z2L-801	PACKING, OIL FILLER CAP .....	-	-	1	-	15625-ZE1-003	
	3	15650-Z2L-801	GAUGE ASSY., OIL LEVEL .....	-	-	1	-	15650-ZL8-013	
	11	90131-883-000	BOLT, DRAIN PLUG, 12X15 .....	-	-	2	-		VXR
	17	94109-12000	WASHER, DRAIN PLUG, 12MM .....	-	-	2	-		VXR
E-8	4	13200-Z0J-000	ROD ASSY., CONNECTING .....	-	-	1	-	13200-ZL8-000	

E-14 CARBURETOR



E-14	13		PACKING, CARBURETOR .....	-	-	0	-	16221-883-800	
	15		GUIDE COMP., AIR .....	-	-	0	-	19650-ZL8-000	
	23	19651-Z0J-000	GUIDE, AIR .....	-	-	1	-		
E-15	5	17231-Z0J-020	COVER, AIR CLEANER .....	-	-	1	-	17231-ZL8-020	
E-16	1	18310-Z0Y-000	MUFFLER COMP. ....	-	-	1	-	18310-ZL8-010	
	2	18321-Z0L-000	PROTECTOR, MUFFLER .....	-	-	1	-	18321-ZL8-000	
	5		SHROUD, MUFFLER .....	-	-	0	-	19664-ZL8-000	

## PARTS CATALOGUE NEWS

BOOKNo. :13ZL80E5

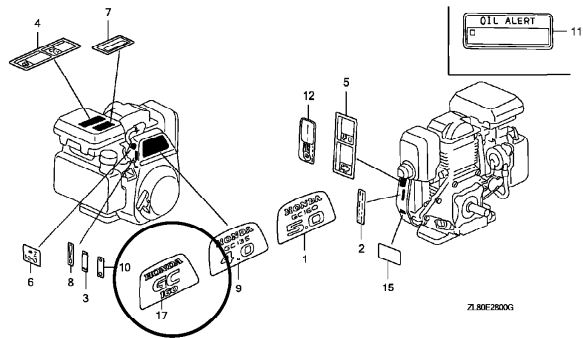
Block No.	Ref. No.	Part No.	Description	Reqd. QTY					Base Part No.	Parts catalogue code
				GC 135	GC 160	GC 160A	GC 135E	GC 160E		
	8		SCREW, TAPPING, 4X6 .....	-	-	0	-	-	90055-ZE1-000	
	10	18350-ZL8-000	ARRESTER COMP., SPARK .....	-	-	(1)	-	-	18350-ZL8-000	VXR
	11	18356-ZL8-000	PLATE, ARRESTER NUMBER .....	-	-	(1)	-	-	18356-ZL8-000	VXR
	12	90055-ZE1-000	SCREW, TAPPING, 4X6 .....	-	-	(1)	-	-	90055-ZE1-000	VXR
E-17	5	17511-Z0J-810	TANK, FUEL .....	-	-	1	-	-	17511-ZL8-000	
	10	17620-Z0M-000	CAP ASSY., FUEL TANK .....	-	-	1	-	-	17620-ZL8-013	
	11	17701-ZL8-000	TUBE, FUEL TANK .....	-	-	1	-	-	17701-Z0J-003	
	12	17702-ZL8-000	TUBE, FUEL .....	-	-	1	-	-	17702-Z0J-003	
	23	95002-02080	CLIP, TUBE (B8) .....	-	-	1	-	-		
	24	95002-02100	CLIP, TUBE (B10) .....	-	-	1	-	-		
	25	95002-50000	CLIP, TUBE (C9) .....	-	-	1	-	-		
	26	95002-70000	CLIP, TUBE (C11) .....	-	-	1	-	-		
	31		CLAMP, TUBE (D8) .....	-	-	0	-	-	95002-40800-08	
	32		CLAMP, TUBE (D8.5) .....	-	-	0	-	-	95002-40850-08	
	33		CLAMP, TUBE (D10) .....	-	-	0	-	-	95002-41000-08	
	34		CLAMP, TUBE (D12) .....	-	-	0	-	-	95002-41200-08	
E-19	5	32195-Z0J-000	CORD, STOP SWITCH .....	-	-	1	-	-	32195-ZL8-000	QHR
	8	90201-Z0T-800	NUT, SPECIAL, 14MM .....	-	-	1	-	-	90201-878-003	
E-19-10	3	32195-Z0J-810	CORD, STOP SWITCH .....	-	-	1	-	-	32195-ZL8-810	VXR
	4	34150-ZL8-013	ALERT UNIT, OIL .....	-	-	1	-	-	34150-ZH7-003	VXR
	6	35480-ZL8-812	SWITCH COMP., OIL LEVEL .....	-	-	1	-	-	35480-ZL8-811	VXR
E-22	2	16551-ZL8-010	ARM, GOVERNOR .....	-	-	1	-	-	16551-ZL8-000	QHR
E-22-2	2	16551-ZL8-010	ARM, GOVERNOR .....	-	-	1	-	-	16551-ZL8-000	VXR
	4		SPRING, GOVERNOR .....	-	-	0	-	-	16561-ZL8-810	VXR

PARTS CATALOGUE NEWS

BOOKNo. :13ZL80E5

Block No.	Ref. No.	Part No.	Description	Reqd. QTY				Base Part No.	Parts catalogue code
				GC 135	GC 160	GC 160A	GC 135E 160E		
		16561-ZL8-800	.....	-	-	1	-	VXR	

E-28 LABEL



ZL80E28003

E-28	1		EMBLEM (GC160 5.0) .....	-	-	0	-	87101-ZL8-010	
	3		MARK, ENGINE SWITCH INDICATION	-	-	0	-	87501-ZL8-000	VXR
	10	87501-ZL8-800	MARK, ENGINE SWITCH INDICATION (EN)	-	-	1	-		VXR
	15		LABEL, WARNING (NOT CERTIFIED FOR SALE)	-	-	0	-	87114-ZH7-821	
		87114-ZH7-840	.....	-	-	1	-		
	17	87101-ZL8-020	EMBLEM (GC160) .....	-	-	1	-		

January 31, 2008



# PARTS CATALOGUE NEWS

Honda Motor Co., Ltd. Service Division

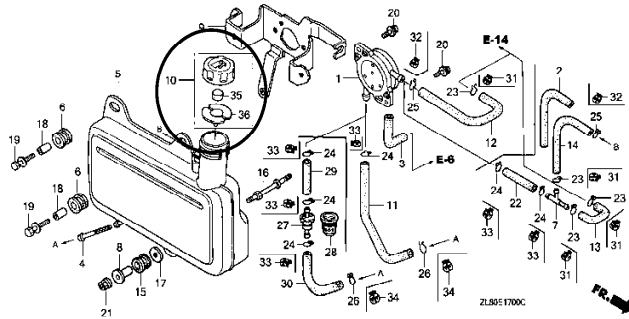
## PARTS CATALOGUE - CORRECTED

Printed in Japan

CODE NO.	BOOKLET TYPE	13ZL80E5
	MICRO-FICHE	13ZL80EE/FE
PARTS CATALOGUE NEWS	GC135 GC160 GC160A GC135E GC160E	
NEWS NO.	039	

Block No.	Ref. No.	Note	Part No.	Description	Reqd. QTY					Serial No.	Parts catalogue code
					60 135	60 160	60 160A	60 155E	60 160E		

E-17 FUEL TANK/FUEL PUMP



NOTE A:PART NO. CHANGE D:NEWLY PROVIDED E:PART NO. DELETION K:REQUIRED NO. CORRECTION L:APPLICATION SERIAL NO. CORRECTION  
T:APPLICATION CORRECTION Z:REMARKS CHANGE

PARTS CATALOGUE NEWS

BOOKNo. :13ZL80E5

Block No.	Ref. No.	Note	Part No.	Description	Reqd. QTY					Serial No.	Parts catalogue code	
					GC 135	GC 160	GC 160A	GC 135E	GC 160E			
E-17	35	D	17622-ZL8-003	SPONGE, FUEL CAP BREATHER . . . .	1	1	1	1	-	-----	-----	DEAF, DHAF, MEA2, MHA2, PHA, PHG, PHD, PHU, PXA, PXC PXD, PXU, QDE, QEA, QEAF, QEA2, QFC, QFJ, QHAF, QHC QHC1, QHE, QHEB, QHEP, QHET, QHE1, QHE2, QHE3, QHE4 QHE5, QHL, QHM, QHP7, QHP9, QHU, QHU1, SHE, SHE1, SHE2 SHE3, SHE4, SHE5, SHE6, SHJ, SHJ1, SHJ4, VHA, VHC, VHE VHJ, VHU, VX, VXC, VXD, VXE, VXJ, VXU, WHE, WHJ, WKT2 WME1, WME2, WXE, WXJ
					1	1	-	1	-	-----	-----	QBC, QHA, QHA1, QHA2, VXA
	A	17622-888-010	.....	-	-	-	-	1	-----	-----	QHR, QHW, VXR	
	36	D	17624-ZL8-003	PACKING, FUEL CAP . . . . .	1	1	1	1	-	-----	-----	DEAF, DHAF, MEA2, MHA2, PHA, PHG, PHD, PHU, PXA, PXC PXD, PXU, QDE, QEA, QEAF, QEA2, QFC, QFJ, QHAF, QHC QHC1, QHE, QHEB, QHEP, QHET, QHE1, QHE2, QHE3, QHE4 QHE5, QHL, QHM, QHP7, QHP9, QHU, QHU1, SHE, SHE1, SHE2 SHE3, SHE4, SHE5, SHE6, SHJ, SHJ1, SHJ4, VHA, VHC, VHE VHJ, VHU, VX, VXC, VXD, VXE, VXJ, VXU, WHE, WHJ, WKT2 WME1, WME2, WXE, WXJ
					1	1	-	1	-	-----	-----	QBC, QHA, QHA1, QHA2, VXA
					-	-	-	-	1	-----	-----	QHR, QHW, VXR
	A		17624-ZE7-000	.....	-	-	1	1	-	-----	-----	QHR, QHW, VXR

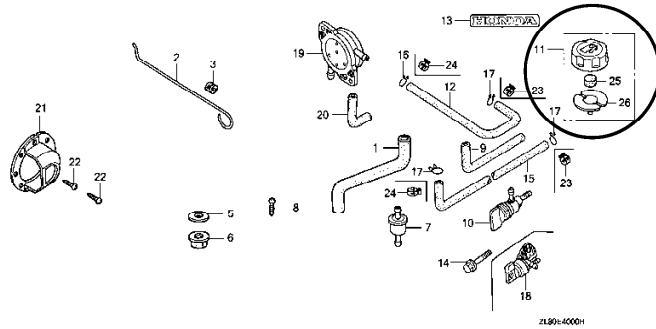
NOTE A:PART NO. CHANGE D:NEWLY PROVIDED E:PART NO. DELETION K:REQUIRED NO. CORRECTION L:APPLICATION SERIAL NO. CORRECTION  
T:APPLICATION CORRECTION Z:REMARKS CHANGE

PARTS CATALOGUE NEWS

BOOKNo. :13ZL80E5

Block No.	Ref. No.	Note	Part No.	Description	Reqd. QTY					Serial No.	Parts catalogue code
					GC 135	GC 160	GC 160A	GC 135E	GC 160E		

E-40 OTHER PARTS



E-40	25	D	17622-ZL8-003	SPONGE, FUEL CAP BREATHER ....	1	-	-	-	-	1213956	-----	VXP5
						-	-	1	-	-----	-----	VXP5
	26	D	17624-ZL8-003	PACKING, FUEL CAP .....	1	-	-	-	-	1213956	-----	VXP5
					-	-	1	-	-----	-----	VXP5	

NOTE A:PART NO. CHANGE D:NEWLY PROVIDED E:PART NO. DELETION K:REQUIRED NO. CORRECTION L:APPLICATION SERIAL NO. CORRECTION  
T:APPLICATION CORRECTION Z:REMARKS CHANGE



# PARTS CATALOGUE NEWS

Honda Motor Co., Ltd. Service Division

## PARTS CATALOGUE - CORRECTED

Printed in Japan

February 17, 2008

CODE NO.	BOOKLET TYPE	13ZL80E5
	MICRO-FICHE	13ZL80EE/FE
PARTS CATALOGUE NEWS	GC135 GC160 GC160A GC135E GC160E	
NEWS NO.	040	

Block No.	Ref. No.	Note	Part No.	Description	Reqd. QTY					Serial No.	Parts catalogue code
					GC135	GC160	GC160A	GC135E	GC160E		
E-14	7	L	16029-ZG0-901	SCREW SET (THROTTLE STOP) ....	1	1	-	1	1		
				(CARBURETOR NO.)	-	-	1	-	-	-----	BB61J A
	22	L	16016-ZG0-W00	SCREW SET .....	1	1	1	-	-	-----	-----
				(CARBURETOR NO.)	1	-	-	-	-	BB63B B	-----
				(CARBURETOR NO.)	-	1	-	-	-	BB61B C	-----
					-	-	1	-	-	-----	-----

NOTE A:PART NO. CHANGE D:NEWLY PROVIDED E:PART NO. DELETION K:REQUIRED NO. CORRECTION L:APPLICATION SERIAL NO. CORRECTION  
T:APPLICATION CORRECTION Z:REMARKS CHANGE



PARTS CATALOGUE NEWS

BOOKNo. :13ZL80E5

Block No.	Ref. No.	Note	Part No.	Description	Reqd. QTY					Serial No.	Parts catalogue code	
					GC 135	GC 160	GC 160A	GC 135E	GC 160E			
				(CARBURETOR NO.)	-	-	1	-	-	-----	BB01J A	DEAF, DHAF, QHAF
					-	-	-	1	1			

NOTE A:PART NO. CHANGE D:NEWLY PROVIDED E:PART NO. DELETION K:REQUIRED NO. CORRECTION L:APPLICATION SERIAL NO. CORRECTION  
T:APPLICATION CORRECTION Z:REMARKS CHANGE

March 10, 2008



## PARTS CATALOGUE NEWS

Honda Motor Co., Ltd. Service Division

### PARTS CATALOGUE - CORRECTED

Printed in Japan

CODE NO.	BOOKLET TYPE	13ZL80E5
	MICRO-FICHE	13ZL80EE/FE
PARTS CATALOGUE NEWS	GC135 GC160 GC160A GC135E GC160E	
NEWS NO.	041	

Block No.	Ref. No.	Note	Part No.	Description	Reqd. QTY					Serial No.	Parts catalogue code
					GC135	GC160	GC160A	GC135E	GC160E		
E-8	2	T	13101-Z2A-010	PISTON .....	-	-	1	-	-	-----	QHR, VXR
					-	-	1	-	-	3598776	DHAF, MHA2, PHA, PXU, QBC, QDE, QFC, QHA, QHAF, QHAJ, QHA1, QHA2, QHC, QHE, QHEB, QHEP, QHET, QHE1, QHE2, QHE4, QHE5, QHL, QHU, SHE, SHE1, SHE6, VHA, VXA, VXC, VXE, VXU
		A	13101-Z2M-800	.....	-	-	1	-	-	11/1064	VXL
					-	-	1	-	-	1171065	VXE
E-16	1	L	18310-ZL8-010	MUFFLER COMP. ....	-	1	-	-	-	-----	DEAF, DHAF, MEA2, MHA2, PHA, PXU, QBC, QDE, QEA, QEAF, QEA2, QFC, QHAF, QHAJ, QHA1, QHA2, QHC, QHEP, QHL, QHU, VHA, VXC, VXU
					-	1	-	-	-	-----	QHA, QHE, QHEB, QHET, QHE1, QHE2, QHE4, QHE5, SHE, SHE1, SHC6, VXA, VXC
					-	-	-	1	-	1224175	QHA, QHE, QHEB, QHET, QHE1, QHE2, QHE4, QHE5, QHP7, SHE, SHE1, SHE6, SHJ, VXA, VXE, VXE9, WHJ, WKT2
		T	18310-Z0Y-000	.....	-	1	-	-	-	-----	QHR, VXR

NOTE A:PART NO. CHANGE D:NEWLY PROVIDED E:PART NO. DELETION K:REQUIRED NO. CORRECTION L:APPLICATION SERIAL NO. CORRECTION  
T:APPLICATION CORRECTION Z:REMARKS CHANGE

PARTS CATALOGUE NEWS

BOOKNo. :13ZL80E5

Block No.	Ref. No.	Note	Part No.	Description	Reqd. QTY					Serial No.	Parts catalogue code
					GC 135	GC 160	GC 160A	GC 135E	GC 160E		
					-	-	-	-	1	1224176	QHA, QHE, QHEB, QHET, QHE1, QHE2, QHE4, QHE5, QHP7, SHE SHE1, SHE6, SHJ, VXA, VXE, VXE9, WHJ, WKT2
	5	L	19664-ZL8-000	SHROUD, MUFFLER .....	1	1	-	1	-		
					-	-	1	-	1		DEAF, DHAF, MEA2, MHA2, PHA, PXU, QBC, QDE, QEA, QEAF QEA2, QFC, QHAF, QHAJ, QHA1, QHA2, QHC, QHEP, QHL, QHU VHA, VXC, VXU
					-	-	1	-	-		QHA, QHE, QHEB, QHET, QHE1, QHE2, QHE4, QHE5, SHE, SHE1 SHE6, VXA, VXE
					-	-	-	-	1	1224175	QHA, QHE, QHEB, QHET, QHE1, QHE2, QHE4, QHE5, QHP7, SHE SHE1, SHE6, SHJ, VXA, VXE, VXE9, WHJ, WKT2
	8		90055-ZE1-000	SCREW, TAPPING, 4X6 .....	2	2	2	2	-		DEAF, DHAF, MEA2, MHA2, PHA, PHG, PHD, PHU, PXA, PXC PXD, PXU, QBC, QEA, QEAF, QEA2, QFC, QFJ, QHA, QHAF QHAJ, QHA1, QHA2, QHG, QHC1, QHE, QHE1, QHL, QHU, QHU1 QHW, SHE, SHE1, SHE2, SHJ, SHJ1, VHA, VHC, VHE, VHJ, VHU VX, VXA, VXC, VXD, VXE, VXX, VXP4, VXP5, VXU, WHE, WHJ WKT2, WME1, WME2, WXE, WXJ
					4	-	-	4	-		SHJ4
					6	6	6	6	6		QHEP
					6	6	6	6	-		QDE, QHEB, QHET, QHE2, QHE3, QHE4, QHE5, QHM, QHP7 QHP9, SHE3, SHE4, SHE5, SHE6
					-	-	-	-	2	1224175	QHA, QHE, QHE1, SHE, SHE1, SHJ, VXA, VXE, VXE9, WHJ, WKT2
					-	-	-	-	6	1224175	QHEB, QHET, QHE2, QHE4, QHE5, QHP7, SHE6
	K		90055-ZE1-000	.....	-	-	-	-	4	1224176	QHEB, QHET, QHE2, QHE4, QHE5, QHP7, SHE6

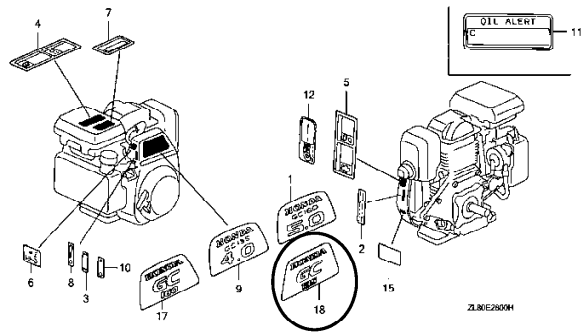
NOTE A:PART NO. CHANGE D:NEWLY PROVIDED E:PART NO. DELETION K:REQUIRED NO. CORRECTION L:APPLICATION SERIAL NO. CORRECTION T:APPLICATION CORRECTION Z:REMARKS CHANGE

PARTS CATALOGUE NEWS

BOOKNo. :13ZL80E5

Block No.	Ref. No.	Note	Part No.	Description	Reqd. QTY					Serial No.	Parts catalogue code
					GC 135	GC 160	GC 160A	GC 135E	GC 160E		

E-28 LABEL



E-28	1	T	87101-ZL8-800	EMBLEM (GC160 5.0) .....	-	-	-	-	1	-----	1247946	QHE, QHET, QHE1, QHE2, QHE4, QHE5, QHP7, SHE, SHE1, SHE6, VXE, VXE9
	2	L	87152-ZL9-811	LABEL, SPECIFICATION .....	1	-	-	-	-	-----	-----	QFJ
					1					-----	1222181	SHJ, SHJ1, SHJ4, VHJ, VXJ, WHJ, WME1, WXJ
					-	-	-	1	-	-----	1179065	QFJ, SHJ, SHJ1, SHJ4, WHJ
	9	T	87101-ZL9-800	EMBLEM (GC135 4.0) .....	-	-	-	1	-	-----	1168688	QHE, QHE1, QHE2, QHE5, QHP7, QHP9, QHW, SHE, SHE1, SHE6, VXE
	17	D	87101-ZL8-801	EMBLEM (GC160) .....	-	-	-	-	1	-----	1247947	QHE, QHET, QHE1, QHE2, QHE4, QHE5, QHP7, SHE, SHE1, SHE6, VXE, VXE9
	18	D	87101-ZL9-801	EMBLEM (GC135 4.0) .....	-	-	-	1	-	-----	1168689	QHE, QHE1, QHE2, QHE5, QHP7, QHP9, QHW, SHE, SHE1, SHE6, VXE

NOTE A:PART NO. CHANGE D:NEWLY PROVIDED E:PART NO. DELETION K:REQUIRED NO. CORRECTION L:APPLICATION SERIAL NO. CORRECTION  
T:APPLICATION CORRECTION Z:REMARKS CHANGE

April 06, 2008



# PARTS CATALOGUE NEWS

Honda Motor Co., Ltd. Service Division

## PARTS CATALOGUE - CORRECTED

Printed in Japan

CODE NO.	BOOKLET TYPE	13ZL80E5
	MICRO-FICHE	13ZL80EE/FE
PARTS CATALOGUE NEWS	GC135 GC160 GC160A GC135E GC160E	
NEWS NO.	042	

Block No.	Ref. No.	Note	Part No.	Description	Reqd. QTY					Serial No.	Parts catalogue code		
					GC135	GC160	GC160A	GC135E	GC160E				
ENGINE SERIAL No. OF GC160A CORRECTED			GC160A	Model	Type	Parts catalogue type	Applicable engine serial No.			Model	Type	Parts catalogue type	Applicable engine serial No.
				DEAF	DEAF	DEAF	GC160A-8000001~	GC160A	QHE	QHE	QHE	QHE	GC160A-1000001~3599749
			GC160A	DHAF	DHAF	DHAF	GC160A-1000001~3599749	GC160A	QHEB	QHEB	QHEB	GC160A-1000001~3599749	
				MEAF	MEAF	MEAF	GC160A-8000001~9999999	GC160A	QHEP	QHEP	QHEP	GC160A-1000001~3599749	
			GC160A	MHA2	MHA2	MHA2	GC160A-1000001~3599749	GC160A	QHE4	QHE4	QHE4	GC160A-1000001~3599749	
				PHA	PHA	PHA	GC160A-1000001~3599749	GC160A	QHE5	QHE5	QHE5	GC160A-1000001~3599749	
			GC160A	PXU	PXU	PXU	GC160A-1000001~	GC160A	QHI	QHI	QHI	GC160A-1000001~	
				QBC	QBC	QBC	GC160A-1000001~3599749	GC160A	QHR	QHR	QHR	GC160A-1000001~	
			GC160A	QDE	QDE	QDE	GC160A-8000001~	GC160A	QHU	QHU	QHU	GC160A-1000001~3599749	
				QEA	QEA	QEA	GC160A-8000001~9999999	GC160A	SHE	SHE	SHE	GC160A-1000001~3599749	
			GC160A	QEAF	QEAF	QEAF	GC160A-8000001~9999999	GC160A	SHE1	SHE1	SHE1	GC160A-1000001~3599749	
				QFC	QFC	QFC	GC160A-1000001~3599749	GC160A	SHE6	SHE6	SHE6	GC160A-1000001~3599749	
			GC160A	QHA	QHA	QHA	GC160A-1000001~3599749	GC160A	VHA	VHA	VHA	GC160A-1000001~3599749	
				QHAF	QHAF	QHAF	GC160A-1000001~3599749	GC160A	VXA	VXA	VXA	GC160A-1000001~3599749	
			GC160A	QHAJ	QHAJ	QHAJ	GC160A-1000001~3599749	GC160A	VXC	VXC	VXC	GC160A-1000001~3599749	
				QHA1	QHA1	QHA1	GC160A-1000001~3599749	GC160A	VXE	VXE	VXE	GC160A-1000001~3599749	
			GC160A	QHA2	QHA2	QHA2	GC160A-1000001~3599749	GC160A	VXR	VXR	VXR	GC160A-1000001~3599749	
				QHC	QHC	QHC	GC160A-1000001~3599749	GC160A	VXU	VXU	VXU	GC160A-1000001~3599749	

NOTE A:PART NO. CHANGE D:NEWLY PROVIDED E:PART NO. DELETION K:REQUIRED NO. CORRECTION L:APPLICATION SERIAL NO. CORRECTION T:APPLICATION CORRECTION Z:REMARKS CHANGE

September 19, 2008



# PARTS CATALOGUE NEWS

Honda Motor Co., Ltd. Service Division

## PARTS CATALOGUE - CORRECTED

Printed in Japan

CODE NO.	BOOKLET TYPE	13ZL80E5
	MICRO-FICHE	13ZL80EE/FE
PARTS CATALOGUE NEWS	GC135 GC160 GC160A GC135E GC160E	
NEWS NO.	043	

Block No.	Ref. No.	Note	Part No.	Description	Reqd. QTY					Serial No.	Parts catalogue code		
					GC135	GC160	GC160A	GC135E	GC160E				
E-22	2	T	16551-ZL8-000	ARM, GOVERNOR .....	-	1	1	-	1	-----	ME A2, MHA2, PHA, PHC, PHD, PHU, PXA, PXC, PXD, OBC, OEA, OEA2, OFC, OHA, QHA2, QHC, SHE3, SHE5, WHE, WKT2, WME1, WME2, WXE, WXJ		
											-----	OHE, SHE, SHJ, WHJ	
		T	16551-ZL8-010	.....	-	-	1	-	1	-----	PXU, QHE2, QHU		
					-	-	-	-	1	-----	PXU, QHE2, QHL, QHR, QHU, SHJ, WHJ		
					-	-	-	-	1	-----	OHE, SHE		
F-22-1	2	T	16551-718-000	ARM, GOVERNOR .....	-	1	1	-	1	-----	ODF, QHAJ, OHA1, OHC1, OHFP, OHF3, OHM, OHU1, SHF4		
											-----	OHE1, QHE5, SHE1	
											1825717	-----	OHEB
												-----	QHCB
		D	16551-ZL8-010	.....	-	-	-	-	1	-----	OHE1, QHE5, SHE1		
E-22-2	2	T	16551-ZL8-000	ARM, GOVERNOR .....	-	1	1	-	1	-----	VHA, VHC, VHE, VHJ, VHU, VX, VXA, VXC, VXJ		
											-----	VXE	

NOTE A:PART NO. CHANGE D:NEWLY PROVIDED E:PART NO. DELETION K:REQUIRED NO. CORRECTION L:APPLICATION SERIAL NO. CORRECTION  
T:APPLICATION CORRECTION Z:REMARKS CHANGE

PARTS CATALOGUE NEWS

BOOKNo. :13ZL80E5

Block No.	Ref. No.	Note	Part No.	Description	Reqd. QTY					Serial No.	Parts catalogue code
					GC 135	GC 160	GC 160A	GC 135E	GC 160E		
		T	16551-ZL8-010	.....	-	1	-	-	-	-----	VXU
				.....	-	-	1	-	1	-----	VXE9, VXR, VXU
				.....	-	-	-	-	1	-----	VXE
E-22-3	2	T	16551-ZL8-000	ARM, GOVERNOR .....	-	1	1	-	-	-----	SHE6
				.....	-	1	-	-	-	-----	QHE4
		D	16551-ZL8-010	.....	-	-	1	-	1	-----	QHE4
				.....	-	-	-	-	1	-----	SHE6
E-22-4	2	T	16551-ZL8-000	ARM, GOVERNOR .....	-	1	1	-	-	-----	QHET, SHJ1
		D	16551-ZL8-010	.....	-	-	-	-	1	-----	QHET
E-22-7	2	T	16551-ZL8-000	ARM, GOVERNOR .....	-	1	-	-	-	-----	QHP7
				.....	-	1	-	-	-	1825718	QHEB
		D	16551-ZL8-010	.....	-	-	-	-	1	-----	QHEB, QHP7

NOTE A:PART NO. CHANGE D:NEWLY PROVIDED E:PART NO. DELETION K:REQUIRED NO. CORRECTION L:APPLICATION SERIAL NO. CORRECTION  
T:APPLICATION CORRECTION Z:REMARKS CHANGE

September 28, 2008



# PARTS CATALOGUE NEWS

Honda Motor Co., Ltd. Service Division

## PARTS CATALOGUE - CORRECTED

Printed in Japan

CODE NO.	BOOKLET TYPE	13ZL80E5
	MICRO-FICHE	13ZL80EE/FE
PARTS CATALOGUE NEWS	GC135 GC160 GC160A GC135E GC160E	
NEWS NO.	044	

Block No.	Ref. No.	Note	Part No.	Description	Reqd. QTY					Serial No.	Parts catalogue code
					GC135	GC160	GC160A	GC135E	GC160E		
E-16	1		18310-ZL9-000	MUFFLER COMP. ....	1	-	-	-	-		
					-	-	1	-	-	-----	QHEP, SHE1, SHE6, VXU
					-	-	-	1	-	----- 1199934	QFJ, QHA, QHE, QHEB, QHE1, QHE2, QHE5, QHP7, QHP9, QHU, QHW, SHE, SHJ, SHJ1, SHJ4, VXE, VXP5, WHJ, WKT2
		A	18310-ZM0-000	.....	-	-	-	1	-	----- 1199935	QFJ, QHA, QHE, QHEB, QHE1, QHE2, QHE5, QHP7, QHP9, QHU, QHW, SHE, SHJ, SHJ1, SHJ4, VXE, VXP5, WHJ, WKT2
	5	L	19664-ZL8-000	SHROUD, MUFFLER .....	1	1	-	-	-		
					-	-	1	1	1	-----	DEAF, DHAF, MEA2, MHA2, PHA, PXU, QBC, QDE, QEA, QEAF, QEA2, QFC, QHAF, QHAJ, QHA1, QHA2, QHC, QHEP, QHL, VHA, VXC, VXU
					-	-	1	1	-	-----	QHET, QHE4, SHE1, SHE6, VXA
					-	-	1	-	-	-----	QHA, QHE, QHEB, QHE1, QHE2, QHE5, QHU, SHE, VXE
					-	-	-	1	-	----- 1199934	QFJ, QHA, QHE, QHEB, QHE1, QHE2, QHE5, QHP7, QHP9, QHU, QHW, SHE, SHJ, SHJ1, SHJ4, VXE, VXP5, WHJ, WKT2
					-	-	-	-	1	----- 1224175	QHA, QHE, QHEB, QHET, QHE1, QHE2, QHE4, QHE5, QHP7, SHE, SHE1, SHE6, SHJ, VXA, VXE, VXE9, WHJ, WKT2

NOTE A:PART NO. CHANGE D:NEWLY PROVIDED E:PART NO. DELETION K:REQUIRED NO. CORRECTION L:APPLICATION SERIAL NO. CORRECTION  
T:APPLICATION CORRECTION Z:REMARKS CHANGE



PARTS CATALOGUE NEWS

BOOKNo. :13ZL80E5

Block No.	Ref. No.	Note	Part No.	Description	Reqd. QTY					Serial No.	Parts catalogue code	
					GC 135	GC 160	GC 160A	GC 135E	GC 160E			
	8	L	90055-ZE1-000	SCREW, TAPPING, 4X6 .....	2	2	2	2	-	-----	-----	DHAF, MEA2, MHA2, PHA, PHC, PHD, PHU, PXA, PXC, PXD, PXU QBC, QEA, QEAF, QEA2, QFC, QHA1, QHA2, QHC, SHE1, VHA VXA, VXC, VXU
					2	2	2	-	-	-----	-----	DEAF, QFJ, QHA, QHAF, QHAJ, QHC1, QHE, QHE1, QHL, QHU QHU1, SHE, SHE2, SHJ, SHJ1, VHC, VHE, VHJ, VHU, VX, VXD VXE, VXJ, VXP4, VXP5, WHE, WHJ, WKT2, WME1, WME2, WXE WXJ
					4	-	-	-	-	-----	-----	SHJ4
					6	6	6	6	6	-----	-----	QHEP
					6	6	6	6	-	-----	-----	QHE4, SHE6
					6	6	6	-	-	-----	-----	QDE, QHEB, QHET, QHE2, QHE3, QHE5, QHM, QHP7, SHE3 SHE4, SHE5
					-	-	-	2	-	-----	1199934	QFJ, QHA, QHE, QHE1, QHU, QHW, SHE, SHJ, SHJ1, VXE, VXP5 WHJ, WKT2
					-	-	-	4	-	-----	1199934	SHJ4
					-	-	-	6	-	-----	1199934	QHEB, QHE2, QHE5, QHP7, QHP9
					-	-	-	-	2	-----	1224175	QHA, QHE, QHE1, SHE, SHE1, SHJ, VXA, VXE, VXE9, WHJ, WKT2
					-	-	-	-	6	-----	1224175	QHEB, QHET, QHE2, QHE4, QHE5, QHP7, SHE6
		T	90055-ZE1-000	.....	-	-	-	2	-	-----	1199935	QFJ, QHA, QHE, QHE1, QHU, QHW, SHE, SHJ, SHJ1, SHJ4, VXE VXP5, WHJ, WKT2
					-	-	-	4	-	-----	1199935	QHEB, QHE2, QHE5, QHP7, QHP9
					-	-	-	-	4	-----	1224176	QHED, QHET, QHE2, QHE4, QHE5, QHP7, SHIE6

NOTE A:PART NO. CHANGE D:NEWLY PROVIDED E:PART NO. DELETION K:REQUIRED NO. CORRECTION L:APPLICATION SERIAL NO. CORRECTION  
T:APPLICATION CORRECTION Z:REMARKS CHANGE