

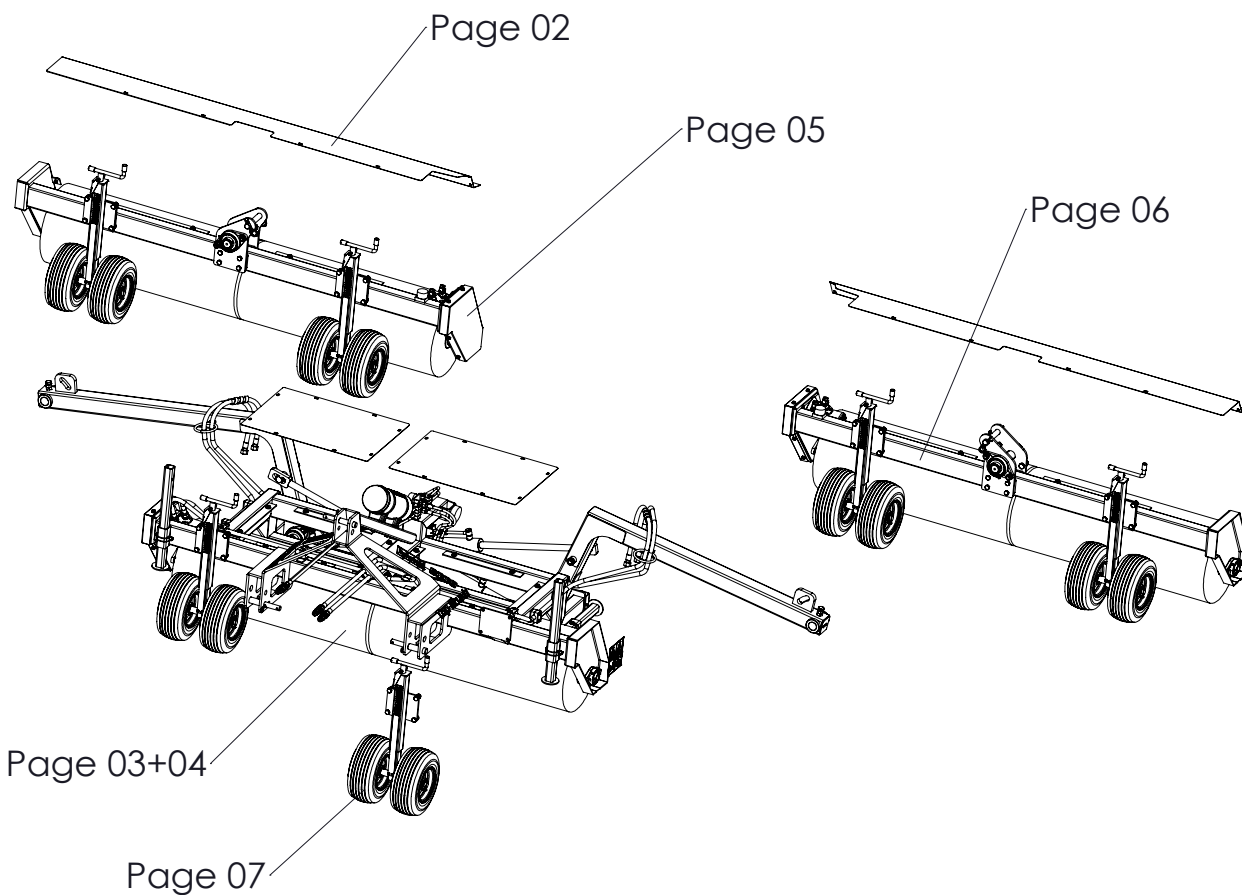
# ***TOP BRUSH 6000***



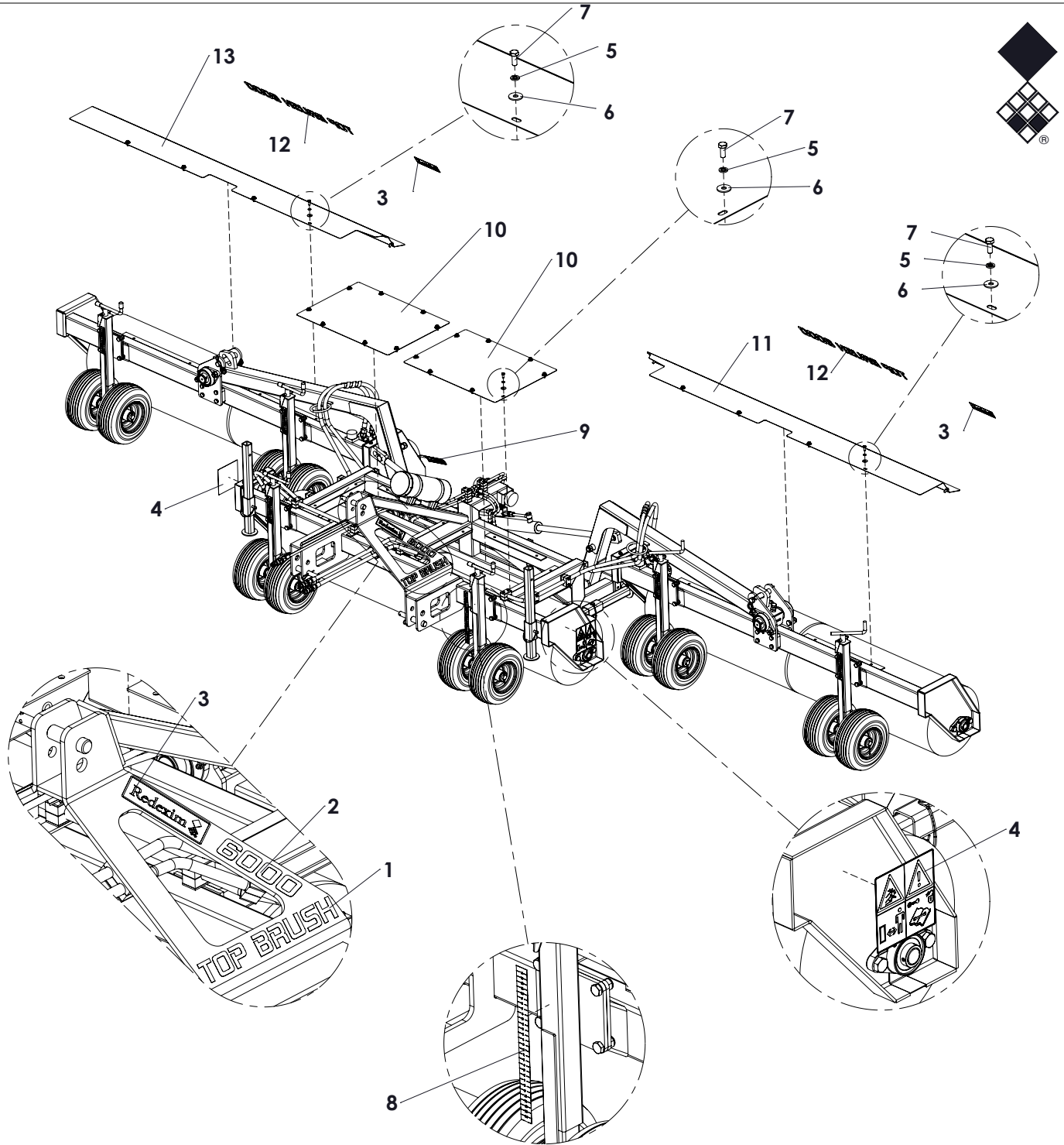
Version: 2312



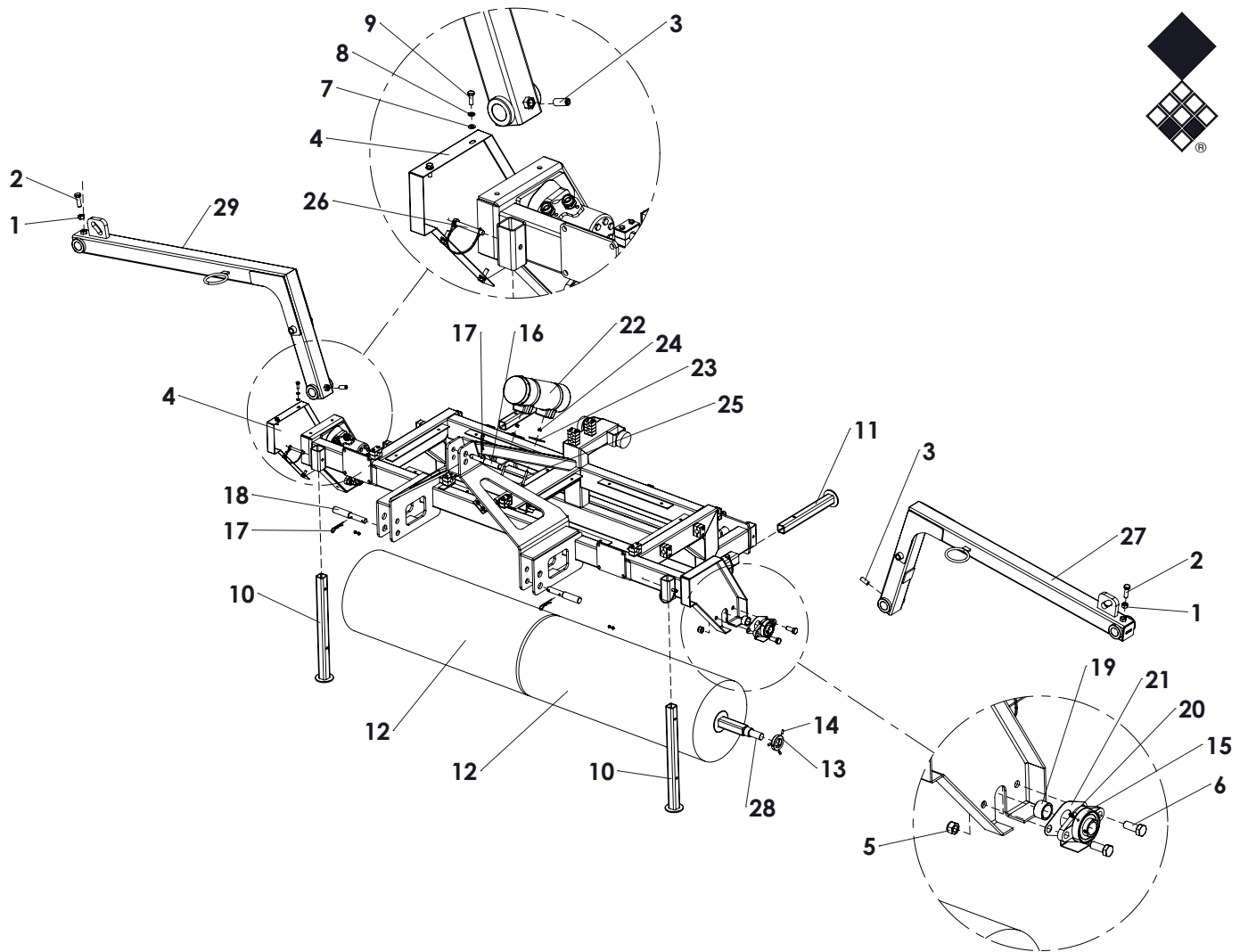
Kwekerijweg 8 | 3709JA | Zeist | The Netherlands |  
T: +31 (0)306 933 227  
E: [redexim@redexim.com](mailto:redexim@redexim.com)  
W: [www.redexim.com](http://www.redexim.com)



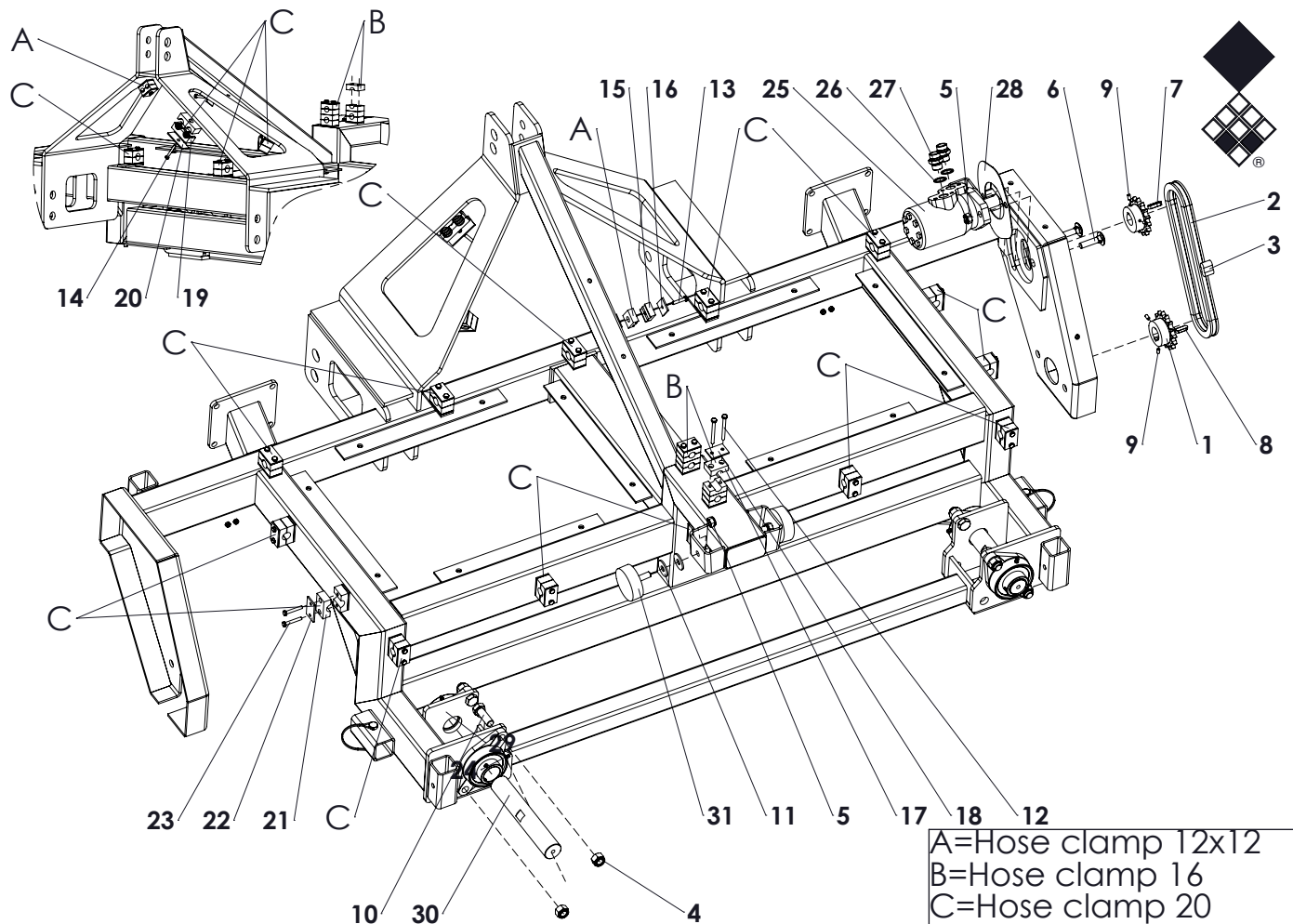
**Page 08+09 - Hydraulic**  
**Page 10 - Hydraulic sceme**



ITEM	PART NUMBER	DESCRIPTION	REMARKS	QUA
1	942.266.000	Decall Top Brush		2
2	942.266.002	Label 6000		2
3	900.260.401	Logo Label		4
4	933.280.402	Safety decal		2
5	866.080.020	Spring Washer M8 - DIN 127		28
6	864.080.024	Large washer M8 - DIN 9021		28
7	804.080.200	Bolt M8 x 20 - ISO 4017		28
8	900.260.415	Decall Ruler		6
9	900.280.402	Safety decall manual		1
10	456.142.045	Cover plate		2
11	456.211.030	Cover plate		1
12	942.266.004	Decall Top Brush rear		2
13	456.211.031	Cover plate		1

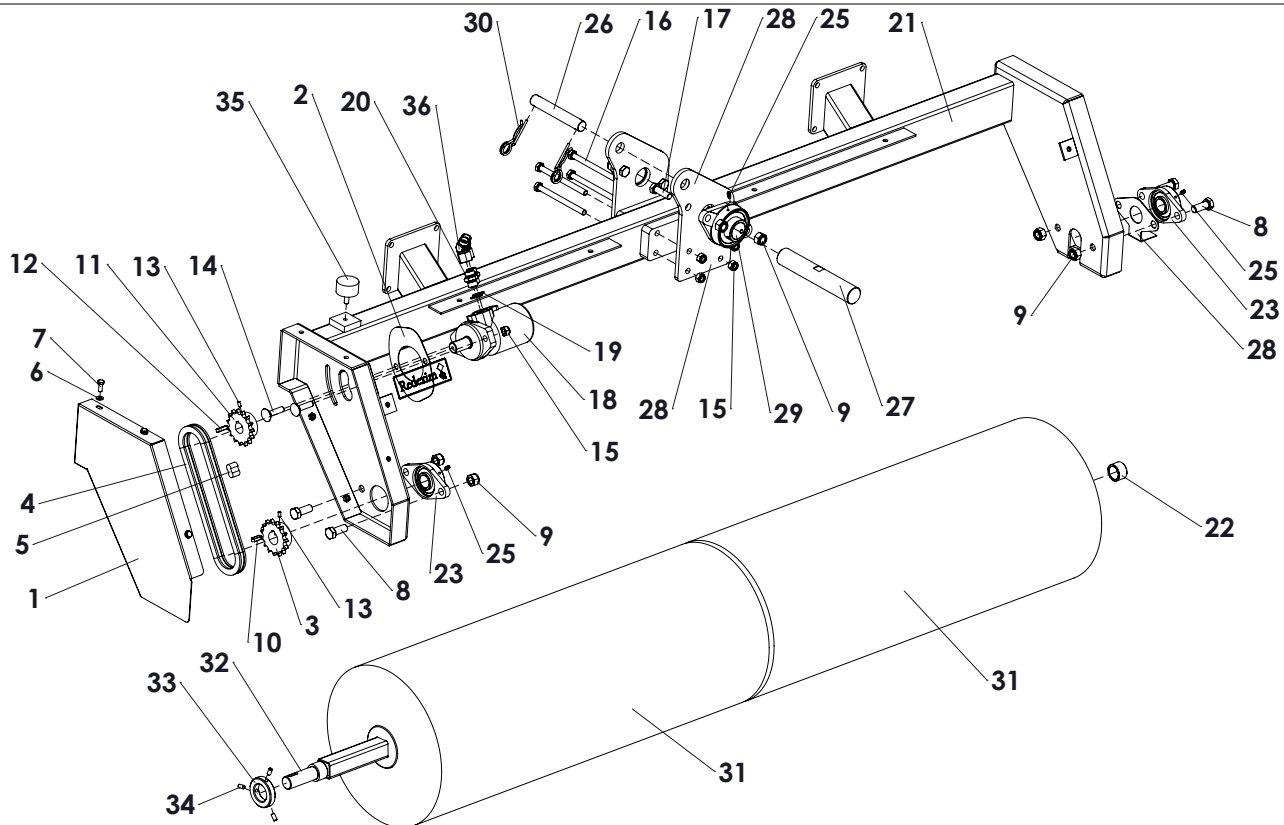


ITEM	PART NUMBER	DESCRIPTION	REMARKS	QUA
1	826.160.160	Nut M16 - DIN 934		2
2	804.160.500	Bolt M16 x 50 - ISO 4017		2
3	818.160.400	Set screw M16 x 40 - DIN 913		2
4	456.410.376	Cover		1
5	830.160.160	Self Lock Nut M16-ISO 10511 Class 10		4
6	804.160.400	Bolt M16 x 40 - ISO 4017		4
7	864.080.030	Washer M8 - ISO 7089		5
8	866.080.020	Spring Washer M8 - DIN 127		5
9	804.080.250	Bolt M8 x 25 - ISO 4017		5
10	462.405.200	Front leg		2
11	462.403.500	Rear leg		2
12	486.381.011	Hard Brush (1,8mm)	Standard	2
	486.381.010	Soft Brush (1,0mm)	Optional	2
13	412.400.160	Lock washer		2
14	818.080.160	Set screw M8 x 16 - DIN 913		6
15	742.300.400	Bearing UCFL206		2
16	521.191.600	Top link pin OS		1
17	523.040.700	R-Clip D=4		3
18	521.221.600	3-point pin		2
19	406.300.230	Inner bush		1
20	880.060.100	Grease nipple M6 DIN 71412A		2
21	468.011.470	Cover plate		1
22	444.803.100	Toolbox Complete		1
23	468.030.530	Toolbox contraplate		2
24	830.080.080	Self Lock Nut M8 - ISO 10511		2
25	802.080.650	Bolt M8 x 65 - ISO 4014		2
26	523.090.680	Lock pin		4
27	494.124.088	Left arm		1
28	472.409.221	Shaft		1
29	494.124.089	Right arm		1

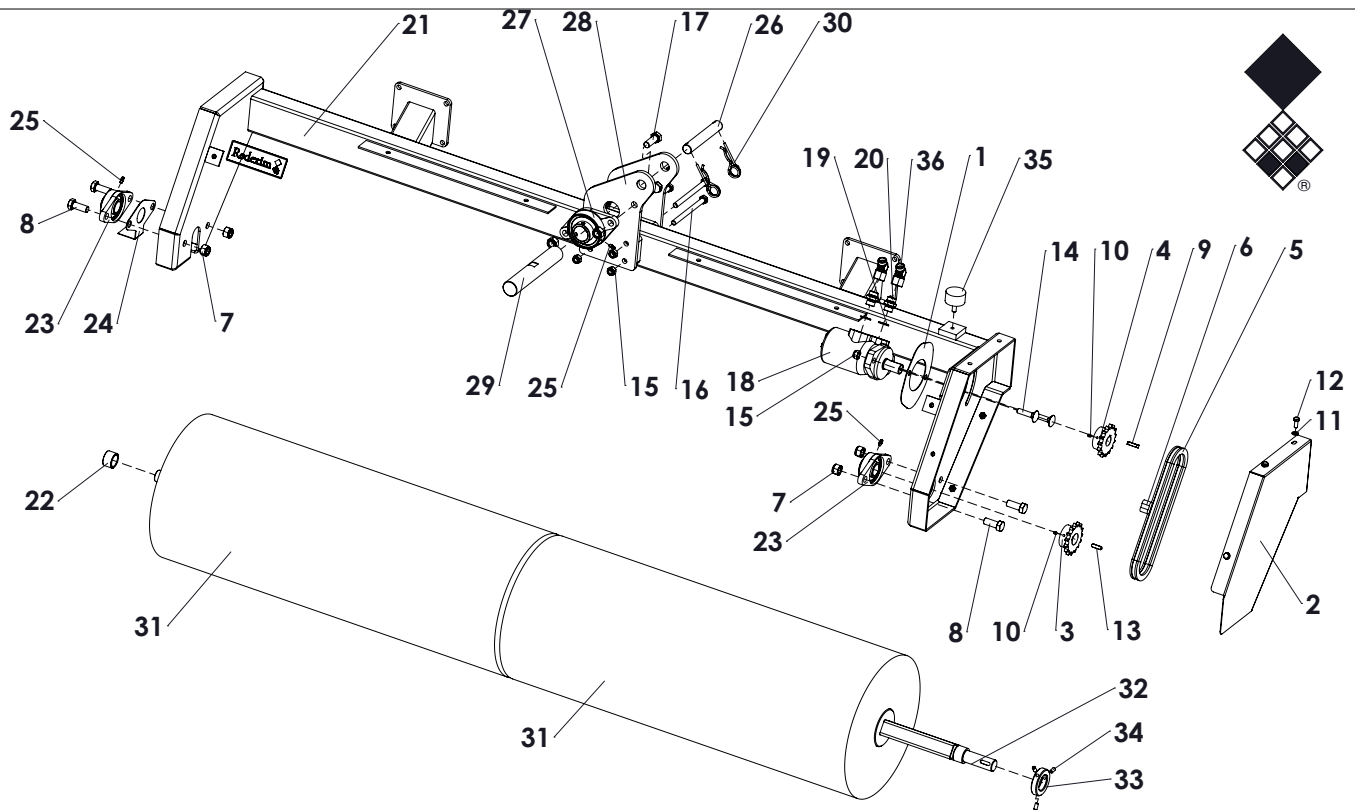


A=Hose clamp 12x12  
 B=Hose clamp 16  
 C=Hose clamp 20

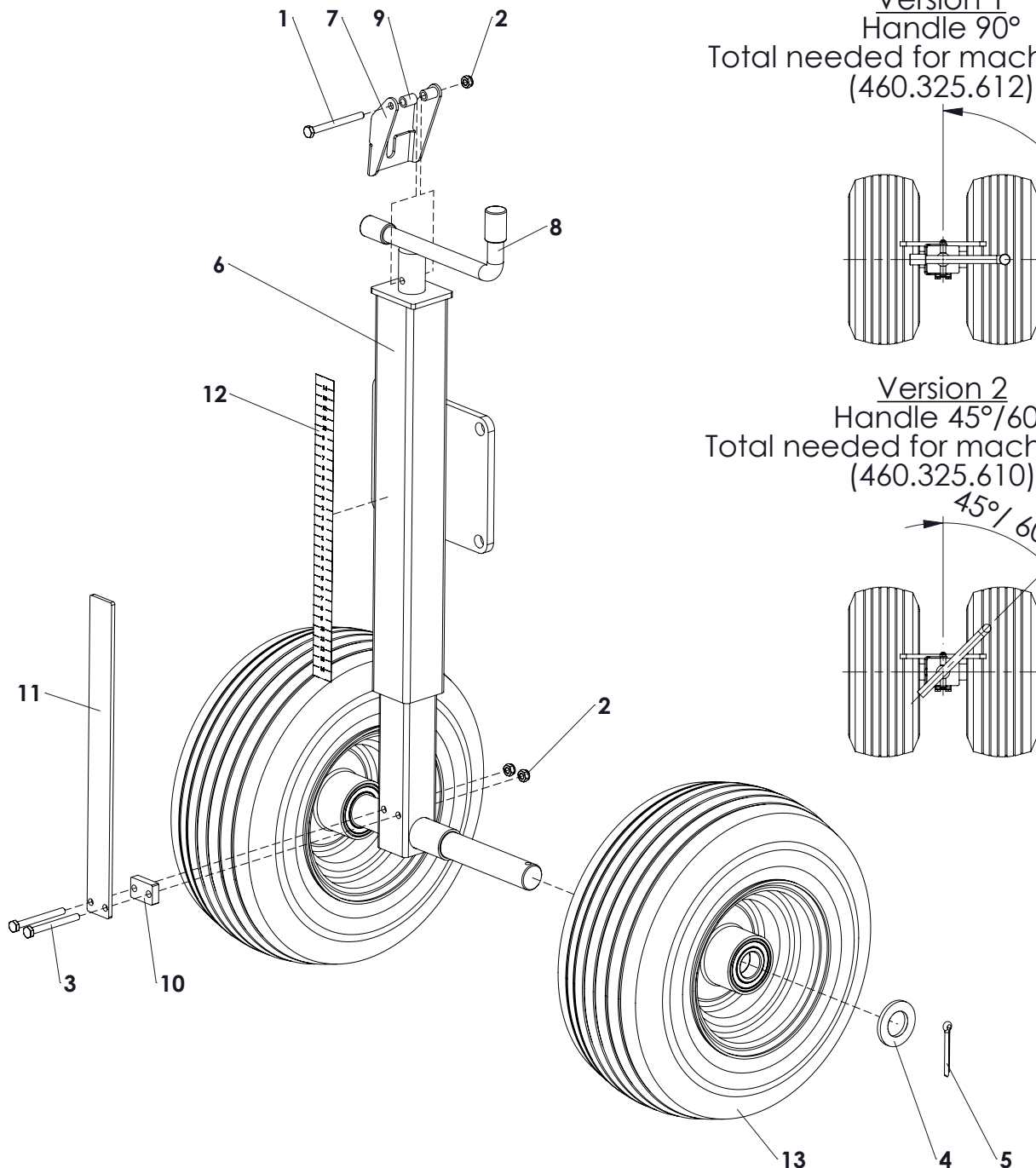
ITEM	PART NUMBER	DESCRIPTION	REMARKS	QUA
1	633.020.302	Chain wheel 5/8"x3/8" - Z=15		1
2	631.027.620	Chain 5/8" L=762mm		1
3	638.020.020	Chain connector 5_8 inch 10B Simplex		1
4	830.160.160	Self Lock Nut M16-ISO 10511 Class 10		8
5	830.120.120	Self Lock Nut M12 - ISO 10511 Class 10		4
6	820.120.500	MH Bolt M12 x 50 ISO 8677		2
7	884.080.320	Key 8x7x32 - DIN 6885		1
8	884.080.280	Key 8x7x28 - DIN 6885		1
9	818.060.120	Set screw M6 x 12 - DIN 916		4
10	804.160.450	Bolt M16 x 45 - ISO 4017		8
11	864.120.031	Large washer M12 - DIN 9021	Look at machine how much needed	4
12	802.060.650	Bolt M6 x 65 - ISO 4014		4
13	804.060.300	Bolt M6 x 30 - ISO 4017		2
14	802.060.450	Bolt M6 x 45 - ISO 4014		2
15	547.133.700	Hose clamp 12x12	SET OF 2	4
16	547.133.371	Hose clamp cover 12x12		2
17	547.164.200	Hose clamp 16	SET OF 2	4
18	547.164.201	Hose clamp cover 16		2
19	547.200.200	Hose clamp 2x20	SET OF 2	4
20	547.300.640	Cover plate hose clamp 2x22		2
21	547.205.000	Hose clamp 20	SET OF 2	14
22	547.205.001	Hose clamp cover 20		14
23	802.060.400	Bolt M6 x 40 - ISO 4014		28
24	880.060.100	Grease nipple M6 DIN 71412A		4
25	532.251.600	Hydraulic motor OMP 250 Danfoss	Check brand: Danfoss	1
	532.251.600MS	Hydraulic motor OMP M+S	Check brand: M+S	1
26	874.210.020	Copper washer 1_2		2
27	544.210.150	Nipple BSP 1_2" x pipe 15 (M22)		2
28	468.011.700	Plate		1
29	742.400.520	Bearing UCFL 208		4
30	414.402.360	Shaft		2
31	572.750.250	Vibration damper		2



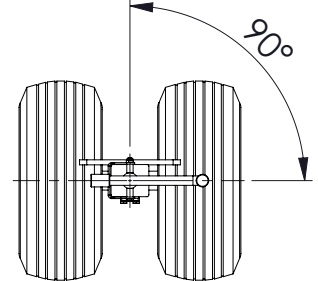
ITEM	PART NUMBER	DESCRIPTION	REMARKS	QUA
1	456.410.378	Cover		1
2	468.011.700	Plate		1
3	633.020.302	Chain wheel 5/8"x3/8" - Z=15		1
4	631.027.620	Chain 5/8" L=762mm		1
5	638.020.020	Chain connector 5_8 inch 10B Simplex		1
6	864.080.030	Washer M8 - ISO 7089		5
7	804.080.200	Bolt M8 x 20 - ISO 4017		5
8	804.160.400	Bolt M16 x 40 - ISO 4017		4
9	830.160.160	Self Lock Nut M16-ISO 10511 Class 10		4
10	884.080.280	Key 8x7x28 - DIN 6885		1
11	633.020.300	Chain wheel 5/8"x3/8" - Z=15		1
12	884.080.320	Key 8x7x32 - DIN 6885		1
13	818.060.120	Set screw M6 x 12 - DIN 916		4
14	820.120.500	MH Bolt M12 x 50 ISO 8677		2
15	830.120.120	Self Lock Nut M12 - ISO 10511 Class 10		6
16	802.121.500	Bolt M12 x 150 - ISO 4014		6
17	804.140.450	Bolt M14 x 45 - ISO 4017		4
18	532.251.600	Hydraulic motor OMP 250 Danfoss	Check brand: Danfoss	1
	532.251.600MS	Hydraulic motor OMP 250 M+S	Check brand: M+S	1
19	874.210.020	Copper washer 1_2		2
20	544.210.150	Nipple BSP 1_2" x pipe 15 (M22)		2
21	494.223.049	Right frame		1
22	406.300.230	Inner bush		1
23	742.300.400	Bearing UCFL206		2
24	468.011.470	Cover plate		1
25	880.060.100	Grease nipple M6 DIN 71412A		4
26	414.251.602	Shaft		1
27	414.402.360	Shaft		1
28	468.102.830	Plate		2
29	742.400.520	Bearing UCFL 208		2
30	523.051.000	R-clip Round 5, DIN 11024		2
31	486.381.011	Hard Brush (1,8mm)	Standard	2
	486.381.010	Soft Brush (1,0mm)	Optional	2
32	472.409.221	Shaft		1
33	412.400.160	Lock washer		2
34	818.080.160	Set screw M8 x 16 - DIN 913		6
35	572.500.280	Vibration damper		1
36	544.150.220	Nipple 45° 15L		2



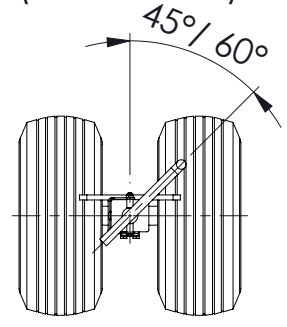
ITEM	PART NUMBER	DESCRIPTION	REMARKS	QUA
1	468.011.700	Plate		1
2	456.410.376	Cover		1
3	633.020.302	Chain wheel 5/8"x3/8" - Z=15		1
4	633.020.300	Chain wheel 5/8"x3/8" - Z=15		1
5	631.027.620	Chain 5/8" L=762mm		1
6	638.020.020	Chain connector 5_8 inch 10B Simplex		1
7	830.160.160	Self Lock Nut M16-ISO 10511 Class 10		8
8	804.160.400	Bolt M16 x 40 - ISO 4017		4
9	884.080.320	Key 8x7x32 - DIN 6885		1
10	818.060.120	Set screw M6 x 12 - DIN 916		4
11	864.080.030	Washer M8 - ISO 7089		5
12	804.080.200	Bolt M8 x 20 - ISO 4017		11
13	884.080.280	Key 8x7x28 - DIN 6885		1
14	820.120.500	MH Bolt M12 x 50 ISO 8677		2
15	830.120.120	Self Lock Nut M12 - ISO 10511 Class 10		6
16	802.121.500	Bolt M12 x 150 - ISO 4014		4
17	804.160.450	Bolt M16 x 45 - ISO 4017		4
18	532.251.600	Hydraulic motor OMP 250 Danfoss	Check brand: Danfoss	1
	532.251.600MS	Hydraulic motor OMP 250 M+S	Check brand: M+S	1
19	874.210.020	Copper washer 1_2		2
20	544.210.150	Nipple BSP 1_2" x pipe 15 (M22)		2
21	494.223.048	Left frame		1
22	406.300.230	Inner bush		1
23	742.300.400	Bearing UCFL206		2
24	468.011.470	Cover plate		1
25	880.060.100	Grease nipple M6 DIN 71412A		4
26	414.251.602	Shaft		1
27	742.400.520	Bearing UCFL 208		2
28	468.102.830	Plate		2
29	414.402.360	Shaft		1
30	523.051.000	R-clip Round 5, DIN 11024		2
31	486.381.011	Hard Brush (1,8mm)	Standard	2
	486.381.010	Soft Brush (1,0mm)	Optional	2
32	472.409.221	Shaft		1
33	412.400.160	Lock washer		2
34	818.080.160	Set screw M8 x 16 - DIN 913		6
35	572.500.280	Vibration damper		1
36	544.150.220	Nipple 45° 15L		2



Version 1  
Handle 90°  
Total needed for machine: 4 pcs  
(460.325.612)

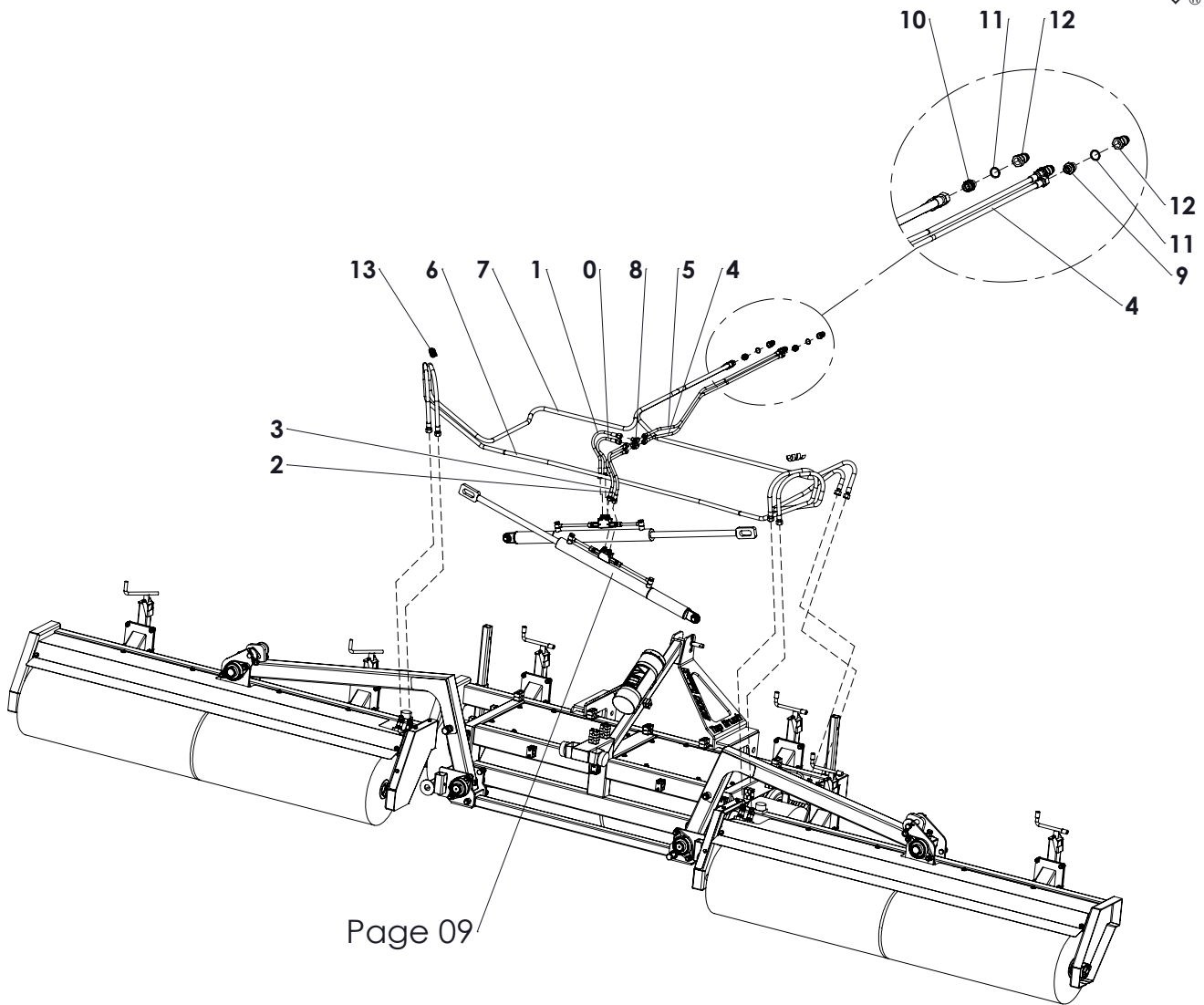


Version 2  
Handle 45°/60°  
Total needed for machine: 2 pcs  
(460.325.610)



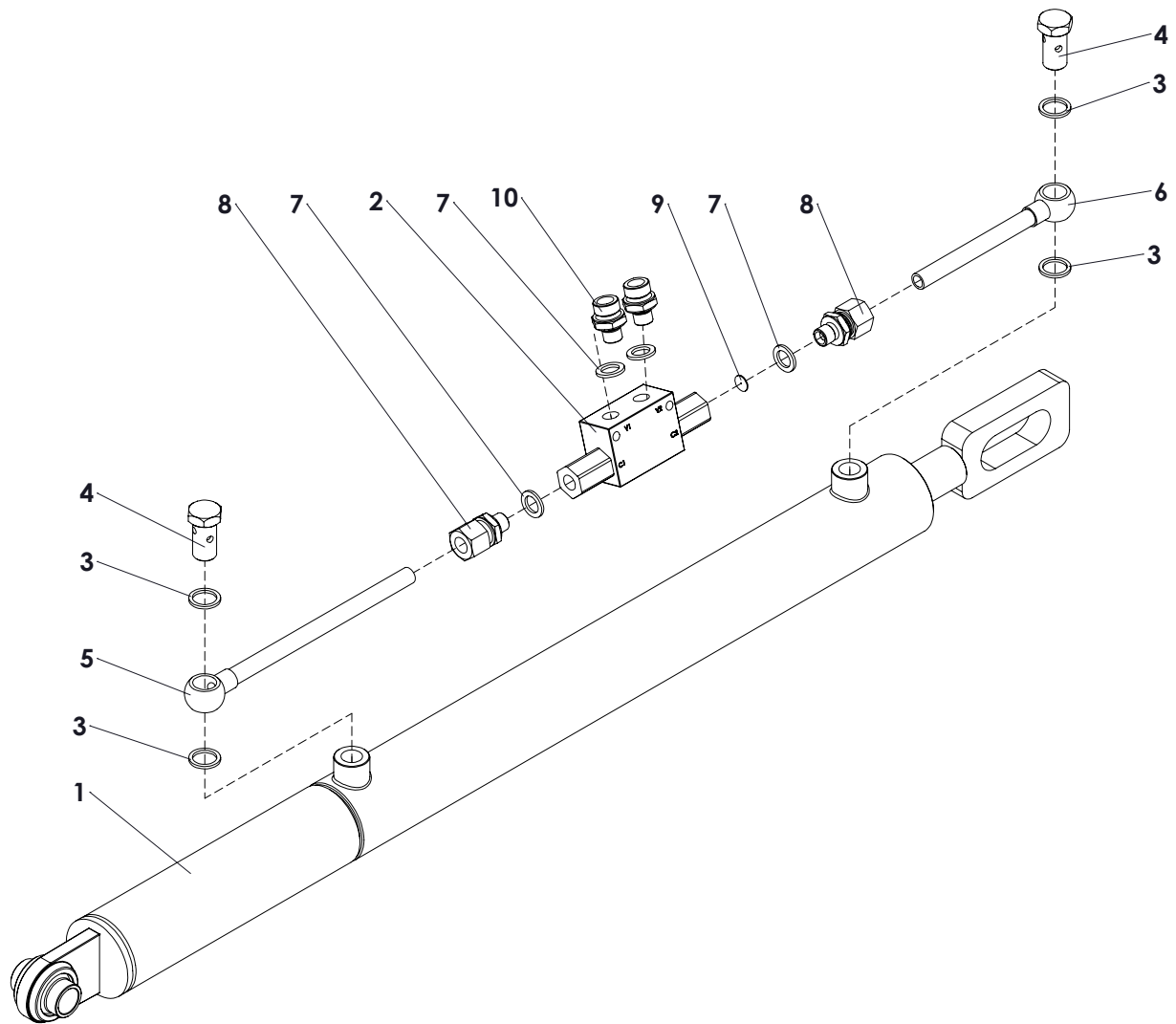
ITEM	PART NUMBER	DESCRIPTION	REMARKS	QUA
1	802.060.650	Bolt M6 x 65 - ISO 4014		1
2	830.060.060	Self Lock Nut M6 - ISO 10511		3
3	802.060.600	Bolt M6 x 60 - ISO 4014		2
4	864.240.044	Washer M24 - ISO 7089		2
5	882.050.400	Cotter Pin 5 x 40 - DIN 94		2
6	460.325.612	Jack	Handle 90°	1
	460.325.610	Jack	Handle 45°/60°	1
7	468.031.180	Lock Plate		1
8	492.331.760	Handle complete	Used for all handle angles	4
9	402.070.140	Distance Bush		2
10	464.080.300	Distance Block		1
11	464.043.150	Height Indicator Strip, L= 315		1
12	900.260.415	Decall Ruler		1
13	511.325.135	Wheel AGRI 31 - 13x5.00-6		2



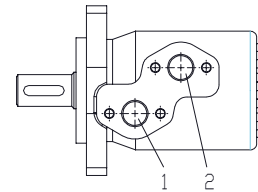


Page 09

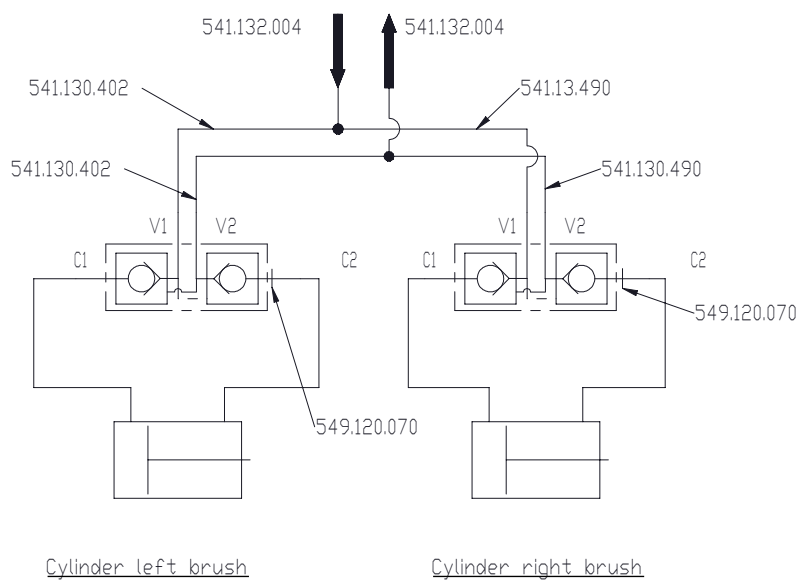
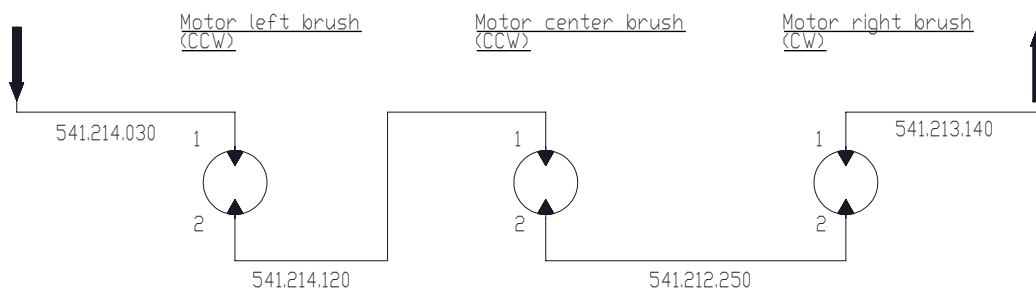
ITEM	PART NUMBER	DESCRIPTION	REMARKS	QUA
1	541.130.402	Hydraulic hose		1
2	541.130.490	Hydraulic hose		1
3	541.130.490	Hydraulic hose		1
4	541.132.005	Hydraulic hose		1
5	541.132.005	Hydraulic hose		1
6	541.214.120	Hydraulic hose		1
7	541.214.030	Hydraulic hose		1
8	544.120.480	T-Coupling 12L		2
9	544.130.402	Nipple BSP 1_2" x pipe 12 (M18)		2
10	544.210.150	Nipple BSP 1_2" x pipe 15 (M22)		2
11	874.210.020	Copper washer 1_2		4
12	545.210.800	Quick connector male 1/2"		4
13	539.280.000	Protection spring		2



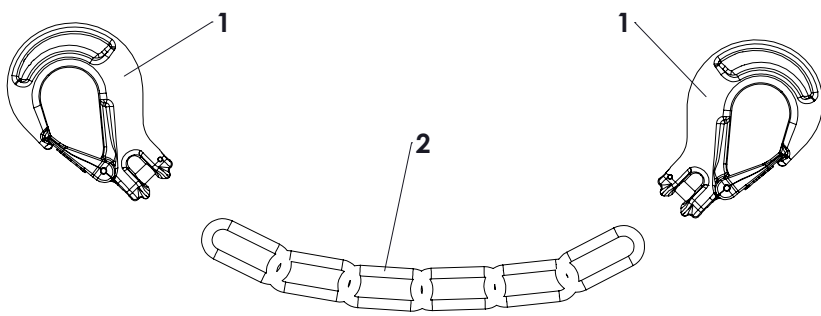
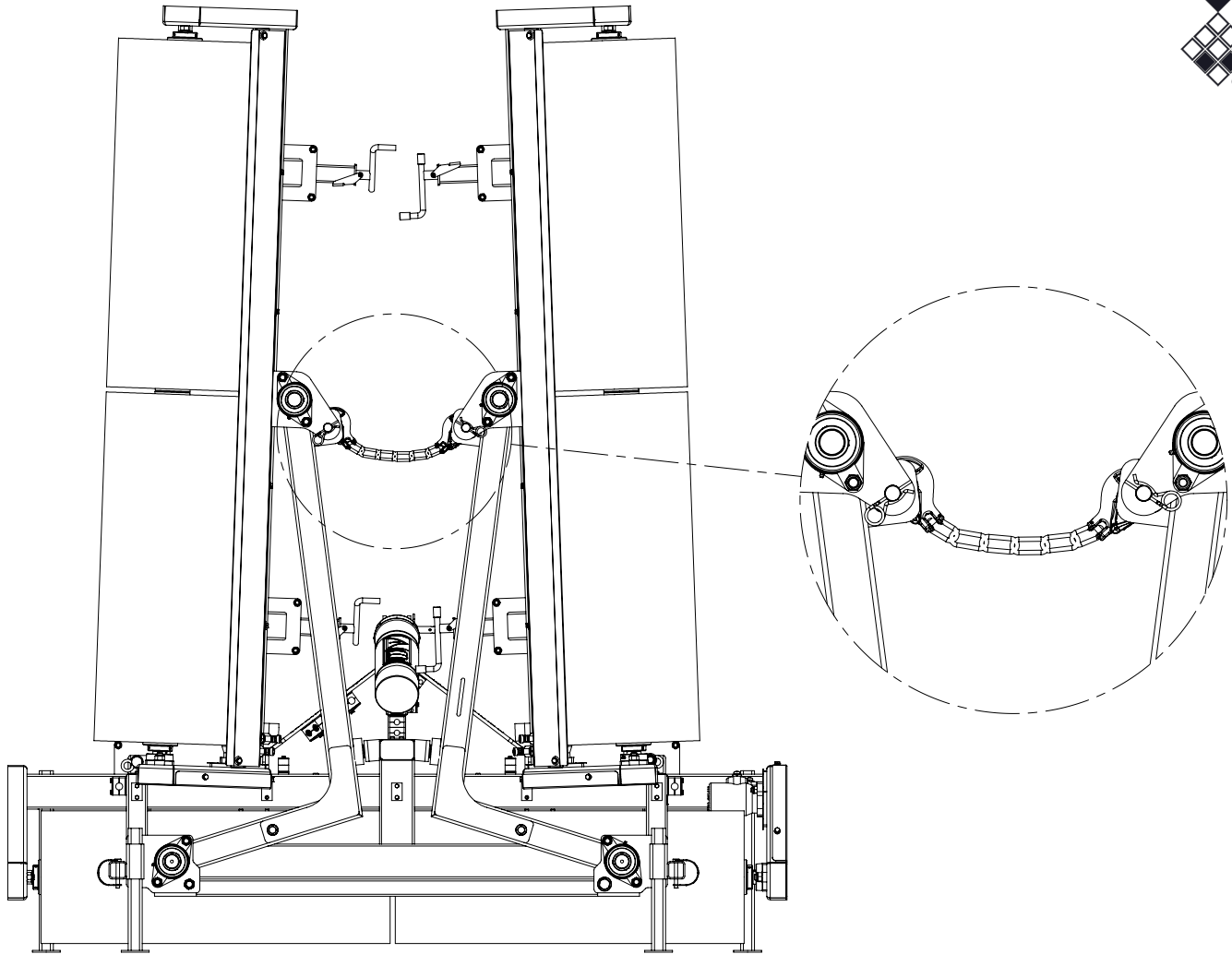
ITEM	PART NUMBER	DESCRIPTION	REMARKS	QUA
1	534.300.752	Hydraulic cilinder		1
2	535.401.000	Pressure controlled one way valve 148"		1
3	874.170.020	Copper washer 3_8		4
4	544.172.401	Cavity Bolt 3/8"		2
5	549.122.000	Branze banjo 3/8 BSP x 12mm, L=200mm		1
6	549.121.340	Branze banjo 3/8 BSP x 12mm, L=134mm		1
7	874.130.020	Copper washer 1/4"		4
8	544.130.122	Nipple BSP 1_4" x pipe 12 (M18) + Nut		2
9	549.120.070	Throttet disc 12L - Ø 0,75		1
10	544.130.120	Nipple BSP 1_4" x pipe 12 (M18)		2



Hydraulic diagram







**Option:**  
Security chain for transport

Complete chain: 490.074.700

ITEM	PART NUMBER	DESCRIPTION	REMARKS	QUA
1	899.191.300	Chain Hook + Safety clip 7-8mm		2
2	482.072.940	Chain 6 shackles		1
		Shackle		6