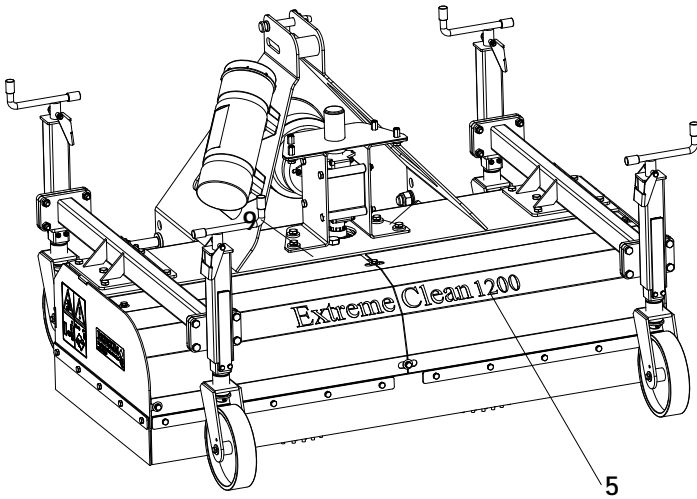
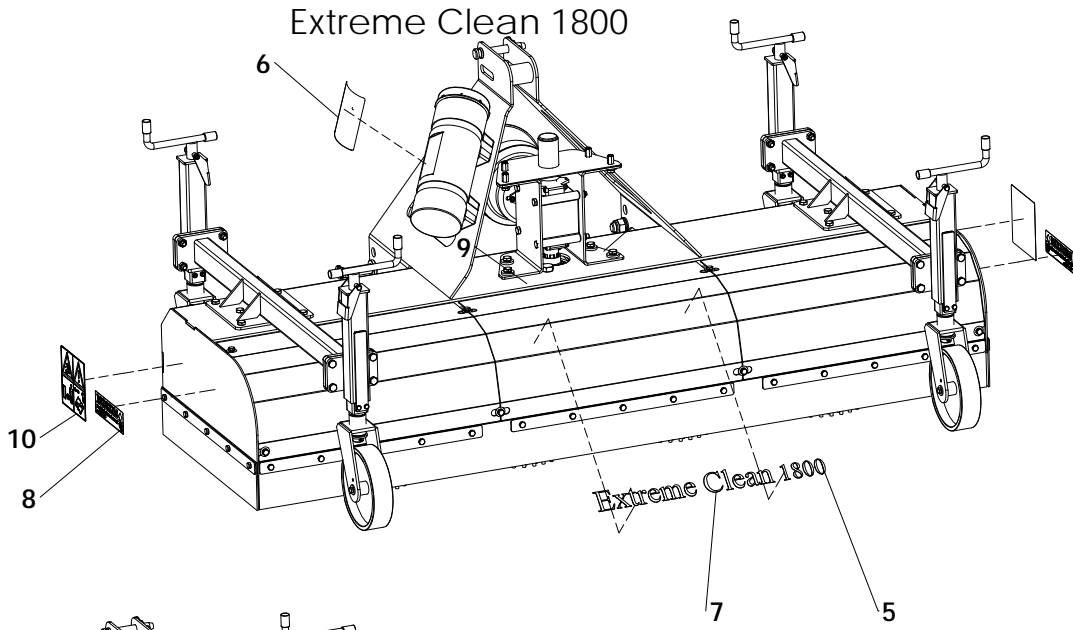
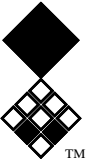
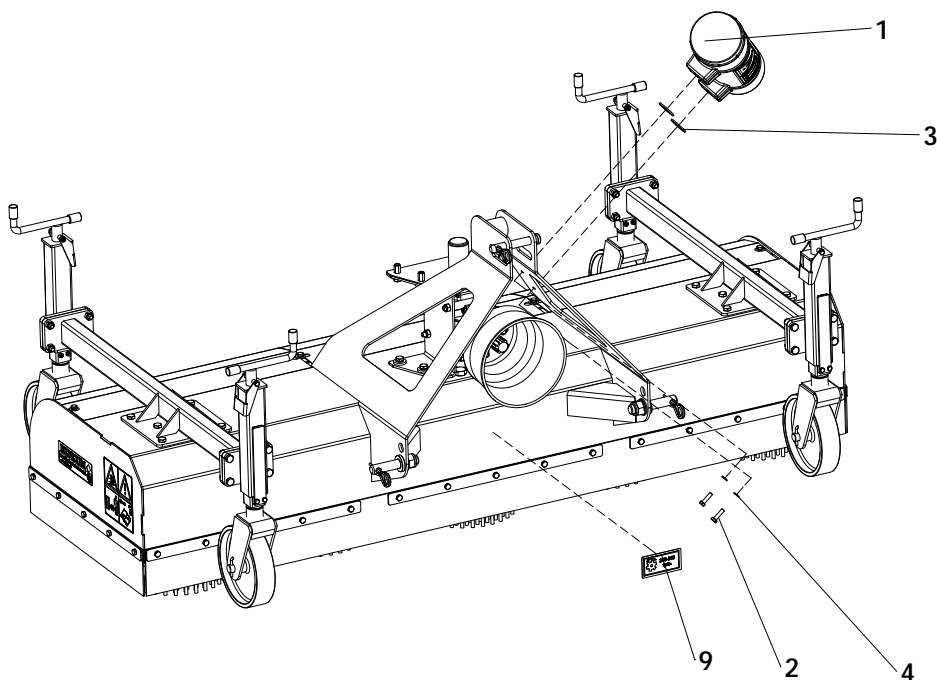


Parts manual

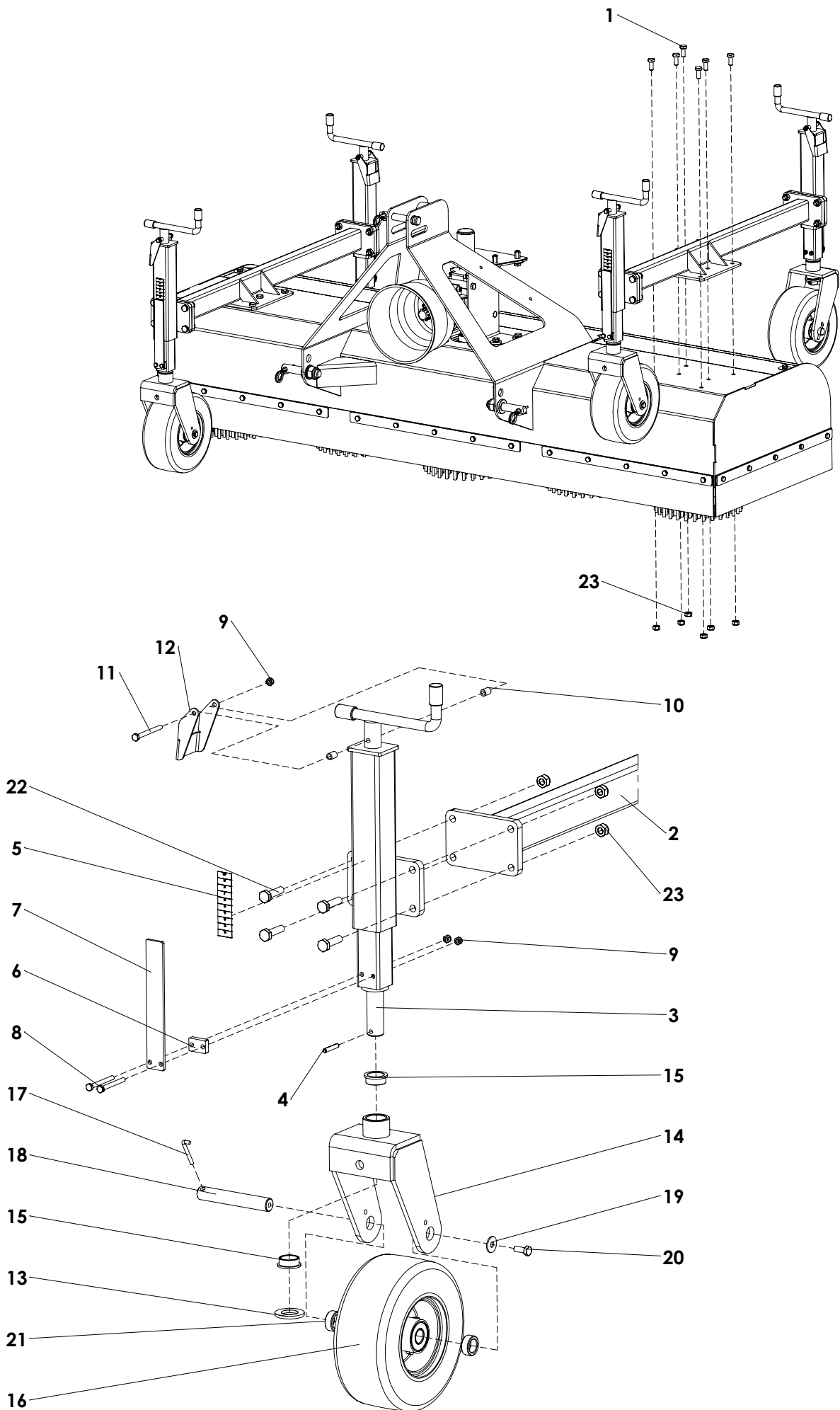




Extreme Clean 1200

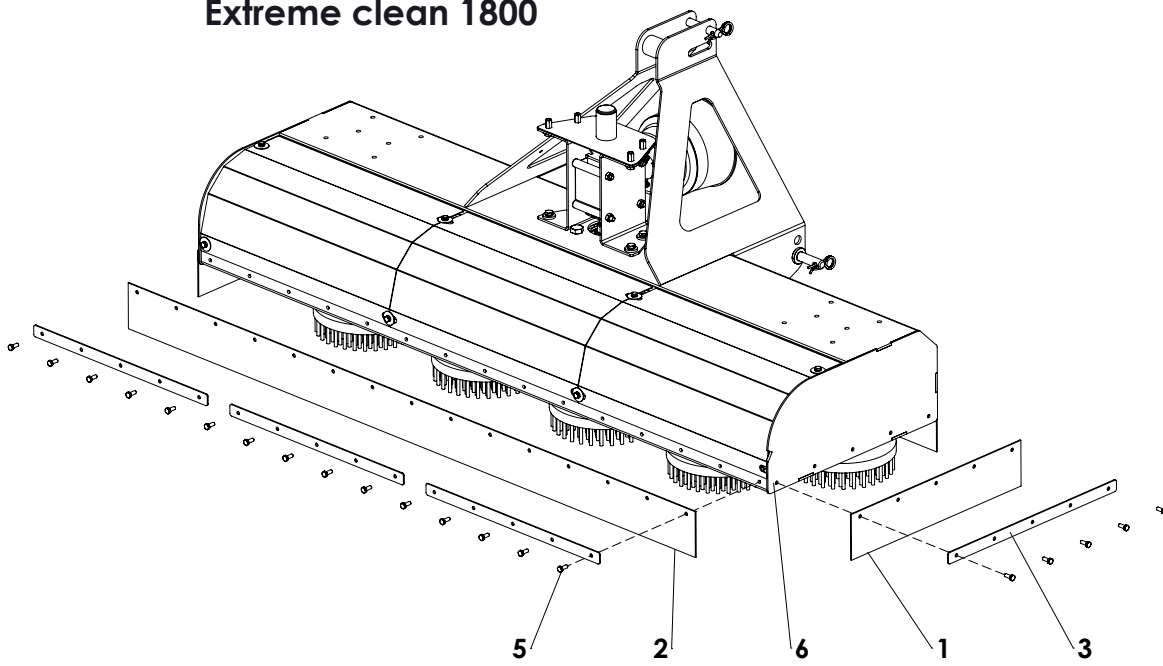


ITEM	PART NUMBER	DESCRIPTION	REMARKS	QUA 1200	QUA 1800
1	444.803.100	Toolbox Complete		1	1
2	804.080.300	Bolt M8 x 30 - ISO 4017		2	2
3	864.140.031	Large washer M14 - DIN 9021		2	2
4	866.080.020	Spring Washer M8 - DIN 127		2	2
5	941.260.406	Label 1800	Extreme Clean 1800	0	1
	913.260.406	Decall 1200	Extreme Clean 1200	1	0
6	900.280.402	Safety decall manual		1	1
7	942.120.400	Label Extreme-Clean		1	1
8	900.260.403	Logo Label		2	2
9	900.260.422	Decall PTO 350 540		1	1
10	933.280.402	Safety decall Rink Verti-Top		2	2

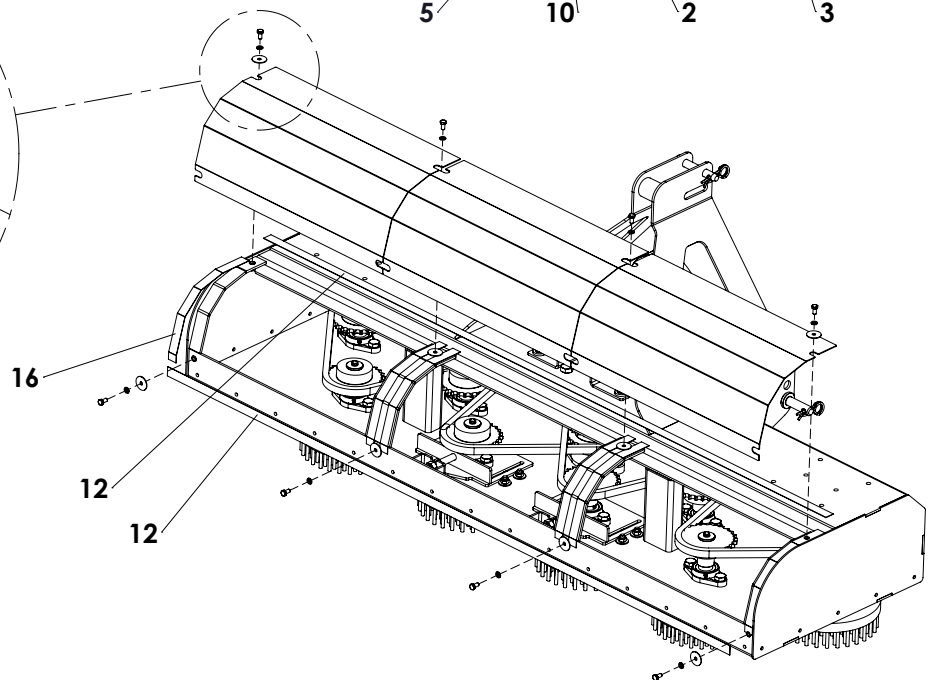
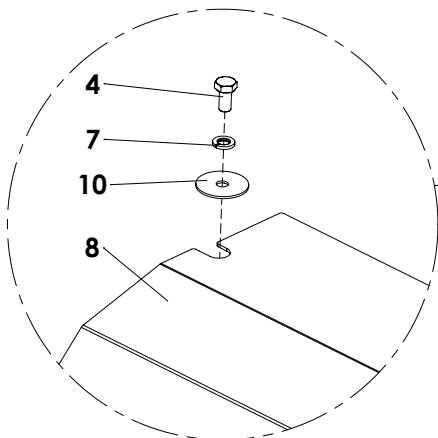
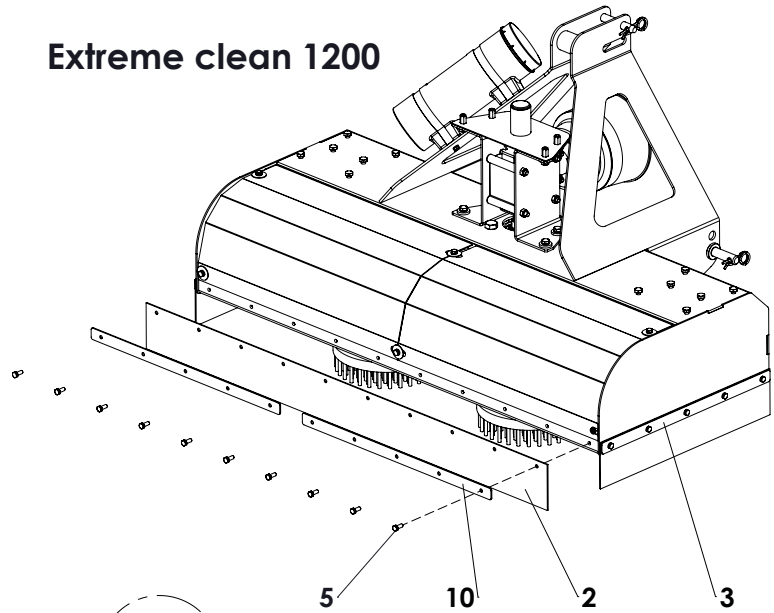


ITEM	PART NUMBER	DESCRIPTION	REMARKS	QUA 1200	QUA 1800
1	804.100.250	Bolt M10 x 25 - ISO 4017		12	12
2	462.150.911	Base wheels		2	2
3	460.504.230	Weldment jack		4	4
4	878.060.350	Roll Pin 6 x 35 - ISO 8752		4	4
5	900.260.414	Decall Ruler		4	4
6	464.080.300	Distance Block		4	4
7	464.042.002	Height indicator strip		4	4
8	802.060.600	Bolt M6 x 60 - ISO 4014		8	8
9	830.060.060	Self Lock Nut M6 - ISO 10511		12	12
10	460.505.450-S06	Distance Bush		8	8
11	802.060.650	Bolt M6 x 65 - ISO 4014		4	4
12	460.505.450-S05	Lock Plate		4	4
13	864.240.044	Washer M24 - ISO 7089		4	4
14	470.082.050	Castor wheel bracket		4	4
15	404.250.130	Nylon collar bush Ø35/Ø30/Ø25 L=12.5		8	8
16	511.210.091	Wheel 9x3.50-4NHS		4	4
17	424.050.350	Wheel shaft pin		4	4
18	416.201.230	Wheel axle Ø20 L=125		4	4
19	864.080.024	Large washer M8 - DIN 9021		4	4
20	804.080.200	Bolt M8 x 20 - ISO 4017		4	4
21	406.200.122	Distance bush Ø30/Ø20.2 L=12		2	2
22	802.100.400	Bolt M10 x 40 - ISO 4014		16	16
23	830.100.100	Self Lock Nut M10 - ISO 10511		28	28

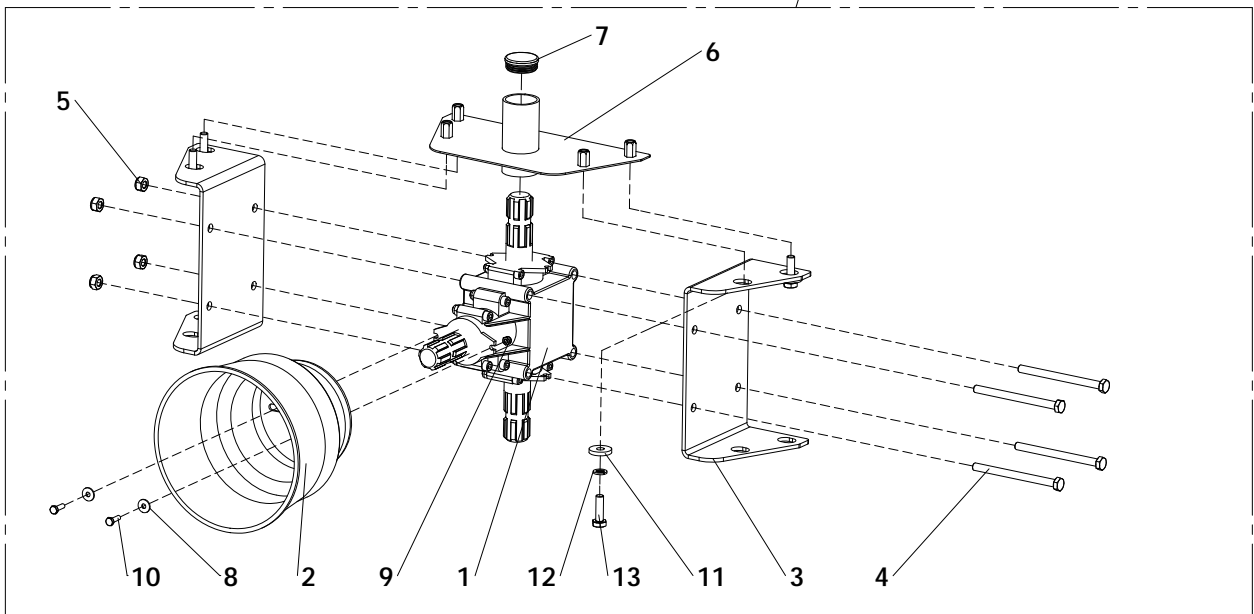
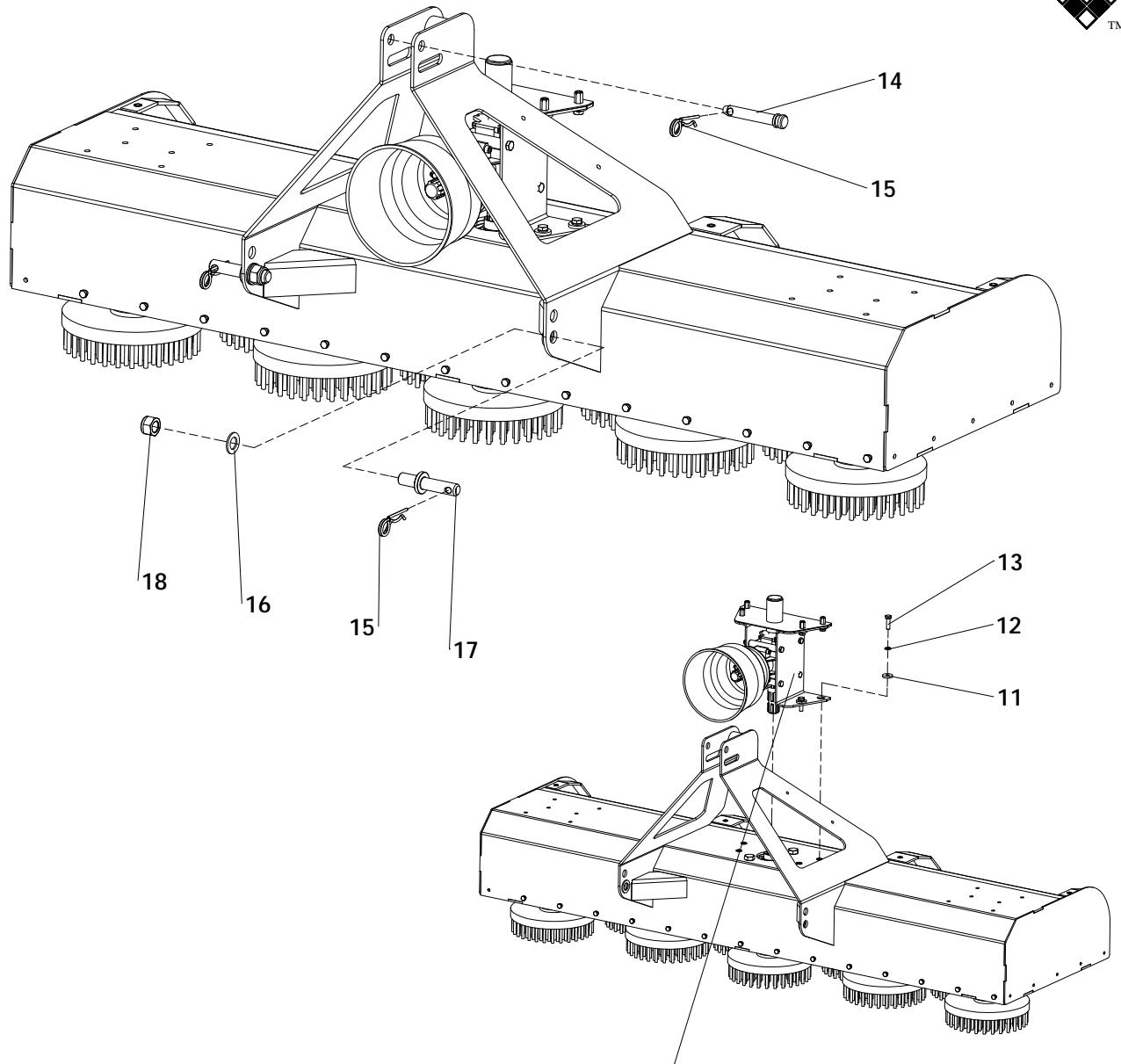
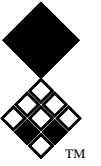
Extreme clean 1800



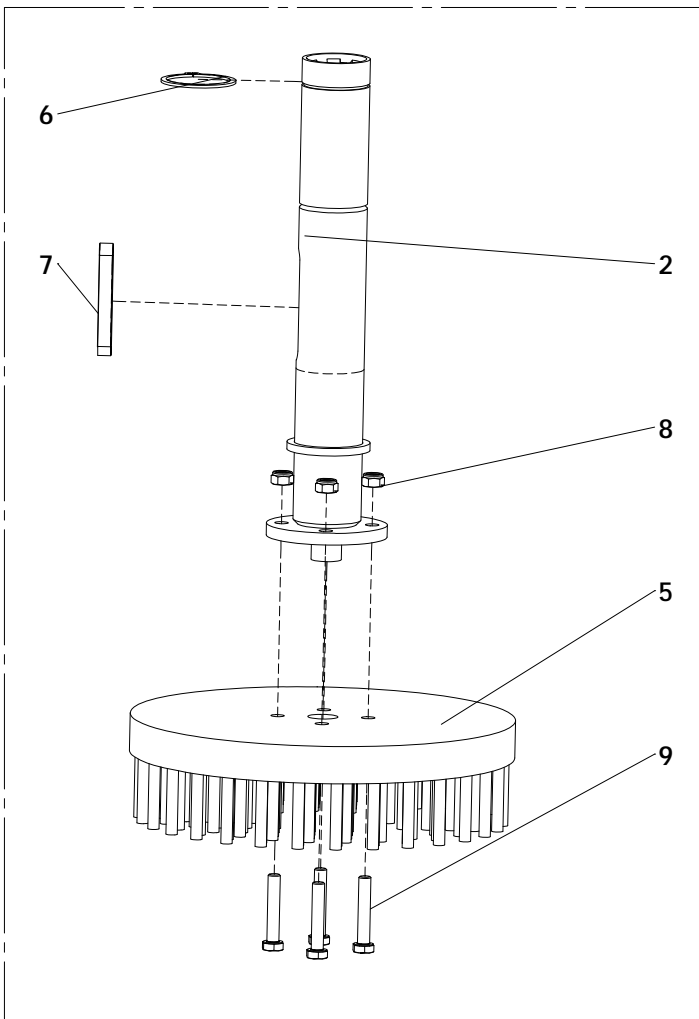
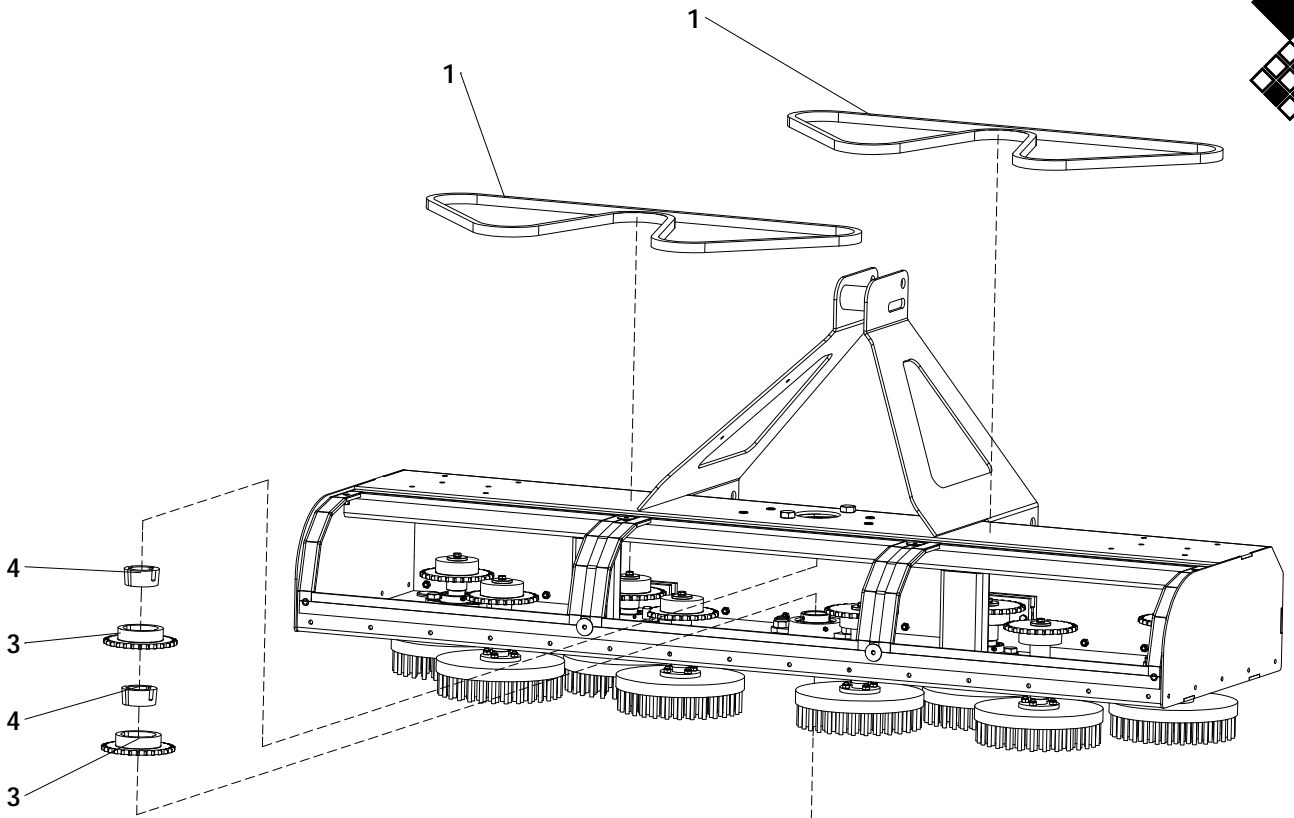
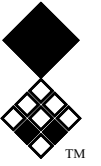
Extreme clean 1200



ITEM	PART NUMBER	DESCRIPTION	REMARKS	QUA 1200	QUA 1800
1	446.025.800	Rubber deflector short		2	2
2	446.029.192	Rubber deflector 1800	Extreme Clean 1800	0	2
	446.029.132	Rubber deflector 1200	Extreme Clean 1200	2	0
3	466.035.800	Connection strip for rubber short		2	8
4	804.080.160	Bolt M8 x 16 - ISO 4017		6	8
5	804.080.200	Bolt M8 x 20 - ISO 4017		30	40
6	830.080.080	Self Lock Nut M8 - ISO 10511		30	40
7	866.080.020	Spring Washer M8 - DIN 127		6	8
8	468.026.240	Back cover Extreme clean II 1800	Extreme Clean 1800	0	3
	468.026.620	Back cover Extreme clean II 1200	Extreme Clean 1200	2	0
9	466.036.300	Connection strip for rubber 1200	Extreme Clean 1200	4	0
10	864.080.040	Washer M8x35		6	8
11	599.033.600	Foam rubber 25x3 L=360		4	6
12	599.039.187	Foam rubber 25x3 L=1870	Extreme Clean 1800	0	2
	599.039.132	Foam rubber 25x3 L=1320	Extreme Clean 1200	2	0



ITEM	PART NUMBER	DESCRIPTION	REMARKS	QUA 1200	QUA 1800
1	622.105.340	Gearbox Comer T-281A 1:1.84 (281.008)	G80W-90 0.5L	1	1
2	629.210.192	PTO Cover Comer		1	1
3	468.042.340	Cover gearbox		2	2
4	802.101.300	Bolt M10 x 130 - ISO 4014		4	4
5	830.100.100	Self Lock Nut M10 - ISO 10511		4	4
6	470.023.020	Lid gearbox cover		1	1
7	768.420.440	Round tube insert Ø44.4 1-3		1	1
8	864.060.031	Large washer M6 - DIN 9021		2	2
9	830.060.060	Self Lock Nut M6 - ISO 10511		2	2
10	804.060.200	Bolt M6 x 20 - ISO 4017		2	2
11	406.110.050	Bush Ø30/Ø10.5 L=5		8	8
12	866.100.020	Spring Washer M10 - DIN 127		8	8
13	804.100.350	Bolt M10 x 35 - ISO 4017		8	8
14	521.191.120	Top Link Pin		1	1
15	523.051.000	R-clip Round 5, DIN 11024		3	3
16	864.220.030	Washer M22 - ISO 7089		2	2
17	2490881	Bottom 3-Point Pin		2	2
18	830.220.220	Self Lock Nut M22 - ISO 10511		2	2

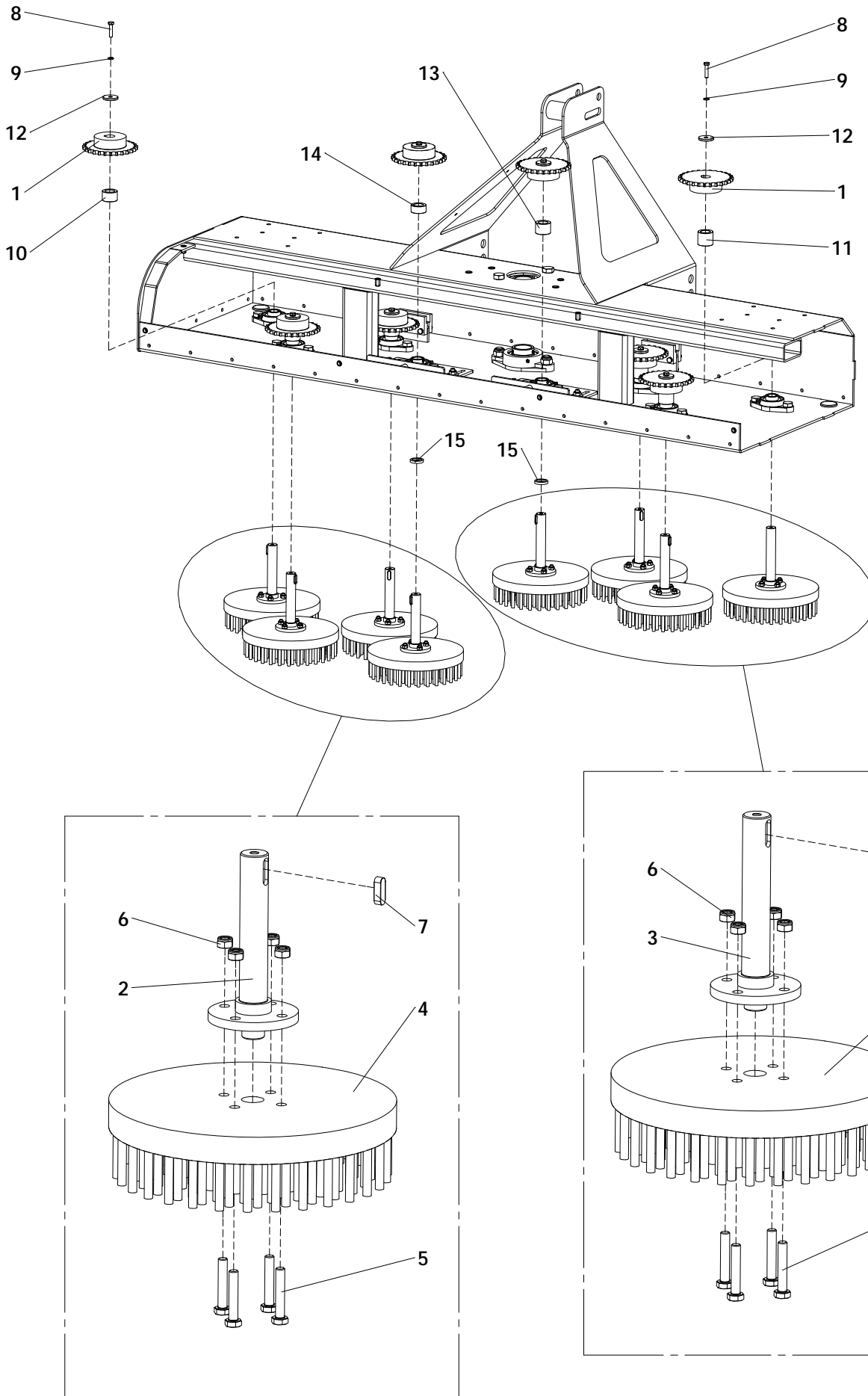
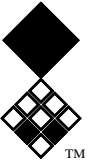


Only center brush + sprockets

ITEM	PART NUMBER	DESCRIPTION	REMARKS	QUA 1200	QUA 1800
1	631.025.223	Chain 5/8 L=2610	Extreme Clean 1800	0	2
	631.021.550	Chain 5/8 L=1555.75	Extreme Clean 1200	2	0
2	472.501.880	Drive shaft connector		1	1
3	635.021.464	Sprocket 5/8" Simplex Z=27 Taperlock		2	2
4	648.452.012	Taperlock 2012 - 45mm		2	2
5	486.702.550	Brush Ø255		1	1
6	870.045.180	Circlip DIN 471 - 45 x 1.75		1	1
7	884.140.750	Key 14x9x75 - DIN 6885		1	1
8	830.080.080	Self Lock Nut M8 - ISO 10511		4	4
9	802.080.450	Bolt M8 x 45 - ISO 4014		4	4

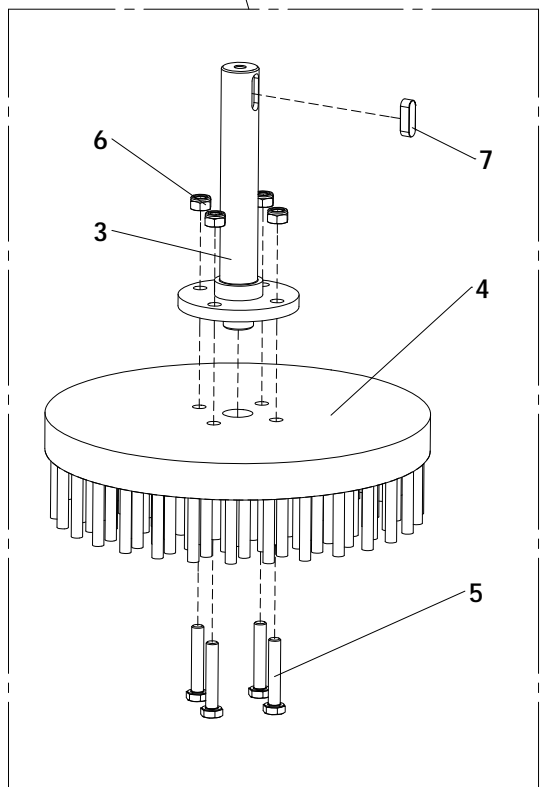
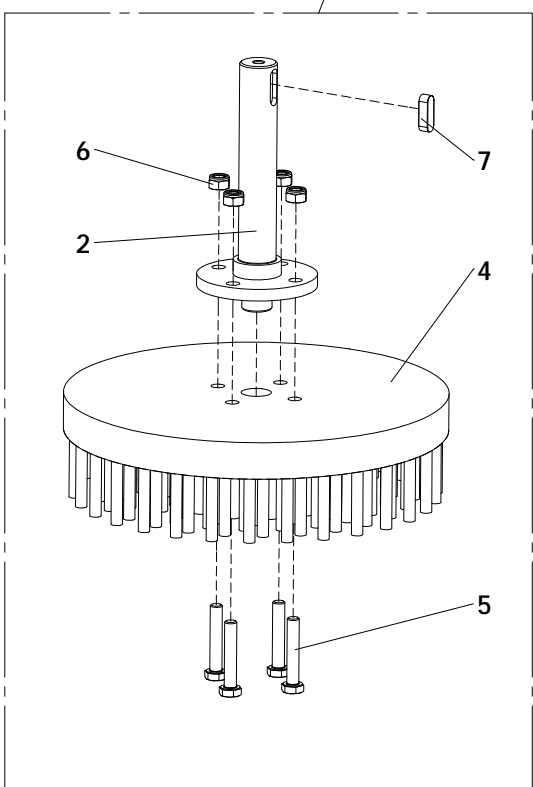
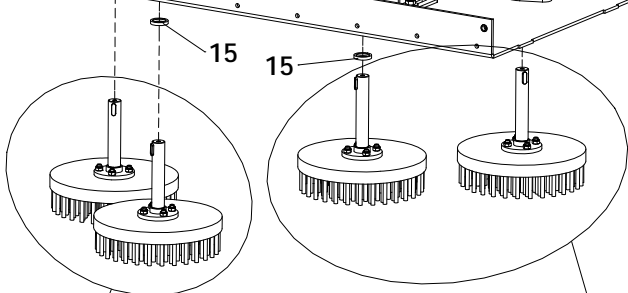
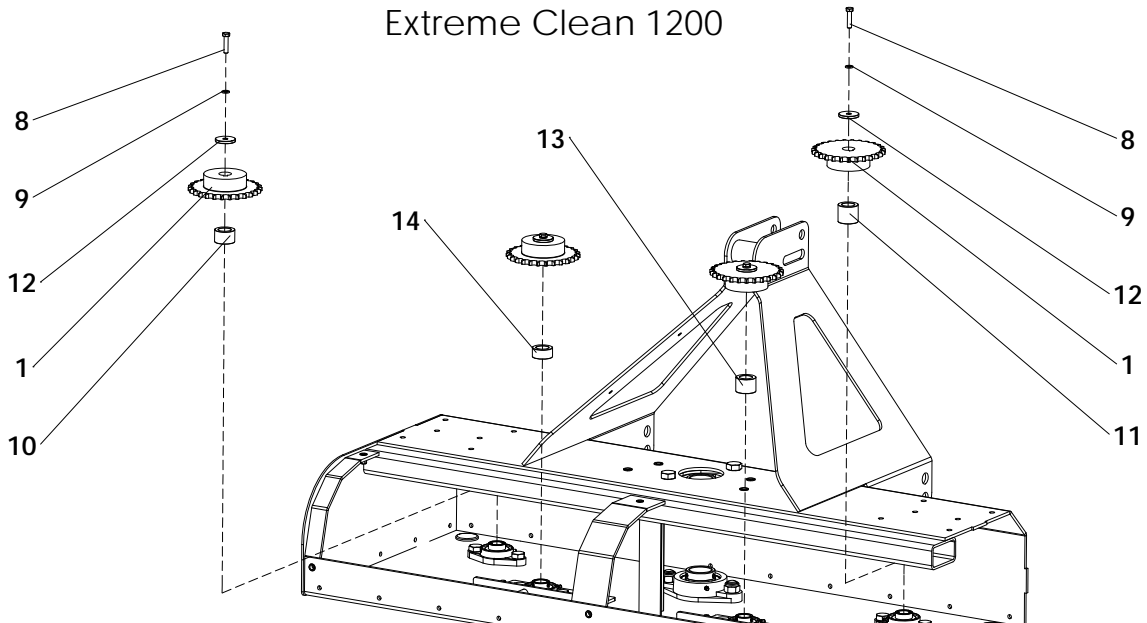
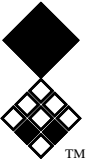
Only center brush + sprockets

Extreme Clean 1800

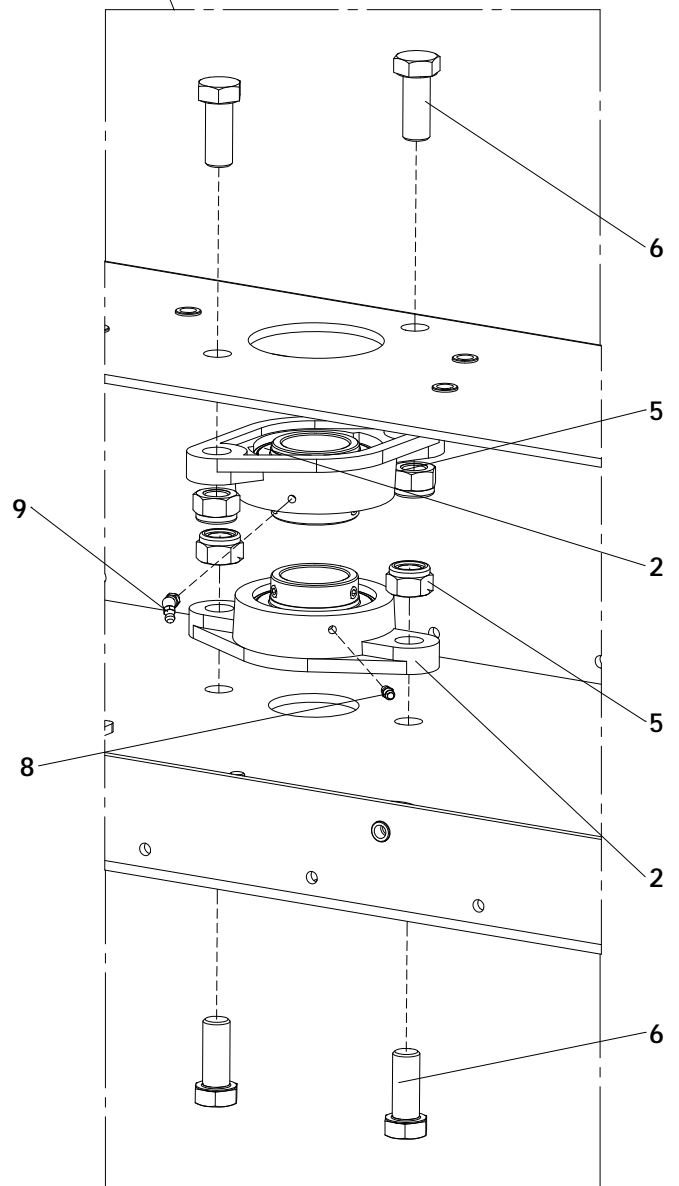
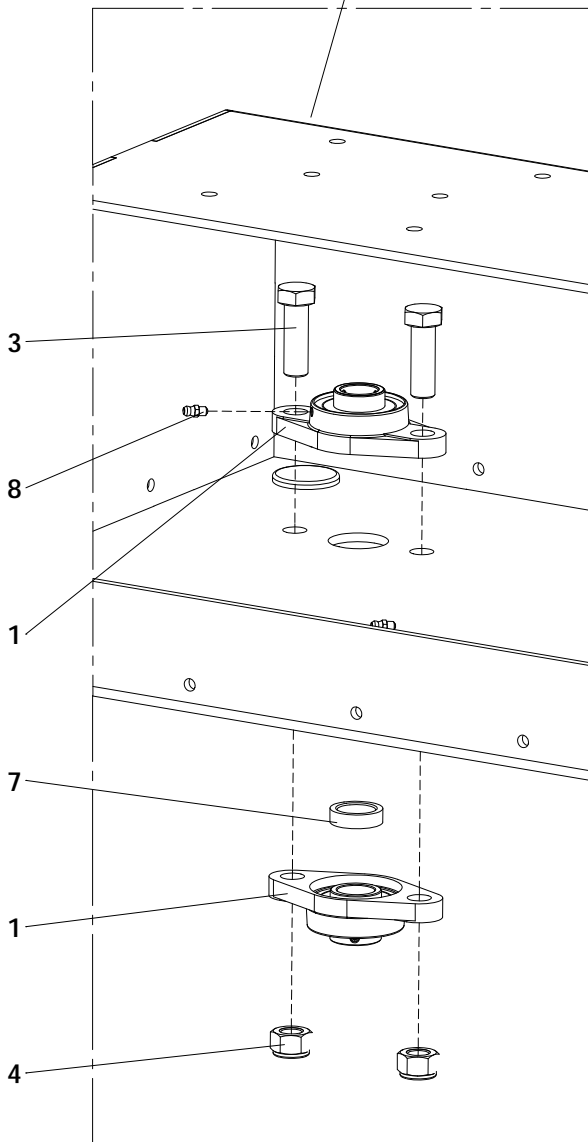
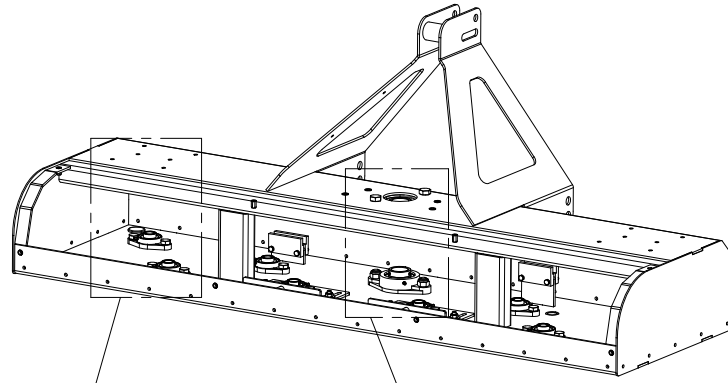
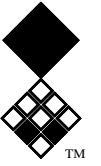


ITEM	PART NUMBER	DESCRIPTION	REMARKS	QUA
1	635.250.350	Sprocket 5/8" Simplex Z=27 Reworked		8
2	472.801.440	Brush weldment	Length is 169mm	4
3	472.801.442	Brush weldment	Length is 178mm	4
4	486.702.550	Brush Ø255	Complete set for machine is 9	8
5	802.080.450	Bolt M8 x 45 - ISO 4014		32
6	830.080.080	Self Lock Nut M8 - ISO 10511		32
7	884.080.250	Key 8x7x25 - DIN 6885		8
8	804.080.350	Bolt M8 x 35 - ISO 4017		8
9	866.080.020	Spring Washer M8 - DIN 127		8
10	406.260.250	Distance bush Ø25.5/Ø40 L=25	Positioned on left 3 brushes	3
11	406.260.350	Distance bush Ø25.5/Ø40 L=35	Positioned on right 3 brushes	3
12	402.090.050	Bush Ø40/Ø9 L=5		8
13	406.260.292	Distance bush Ø25.5/Ø40 L=29	Positioned on right spanner brush	1
14	406.260.190	Distance bush Ø25.5/Ø40 L=19	Positioned on left spanner brush	1
15	406.260.060	Distance bush Ø35/25.5 L=6		2

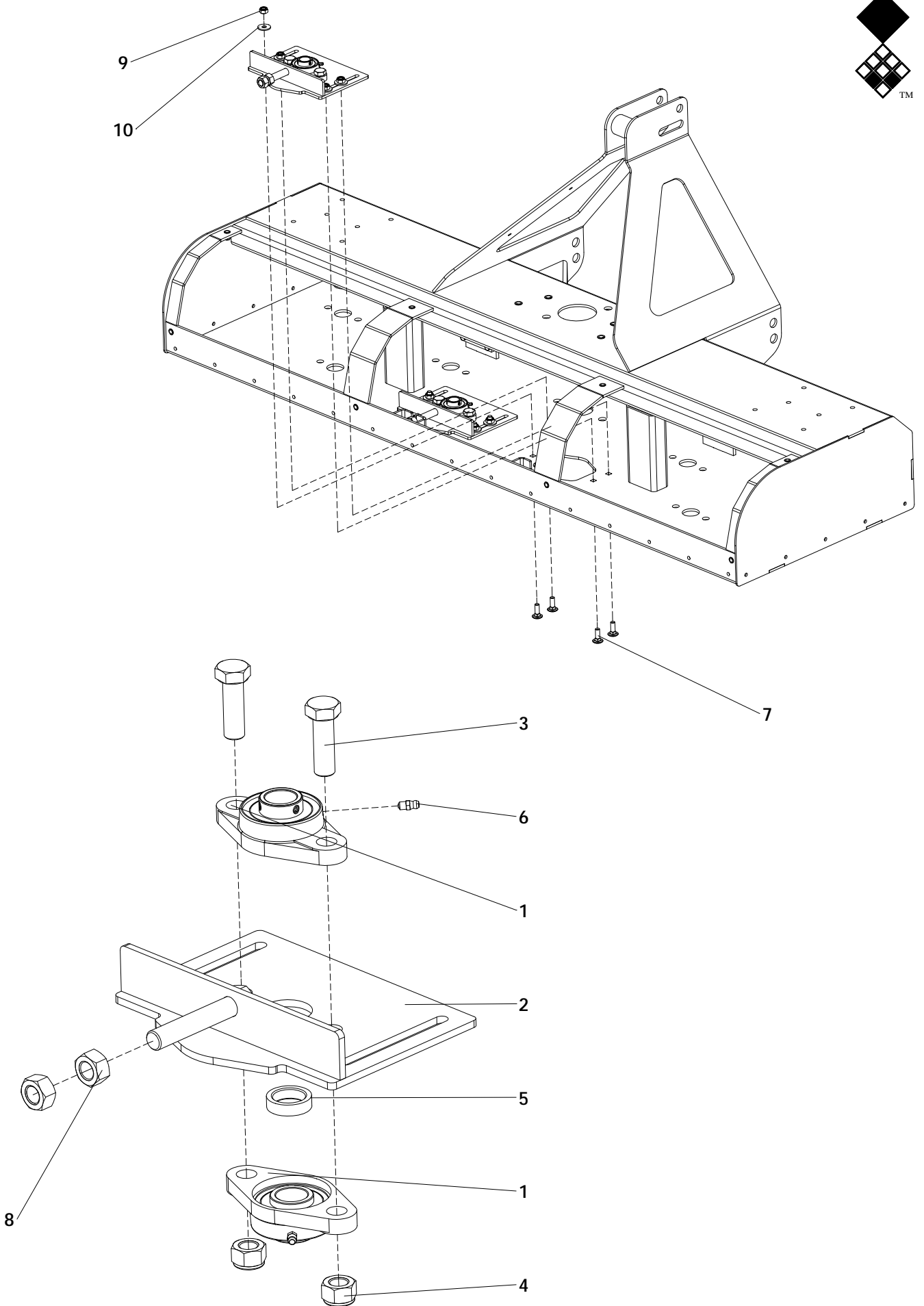
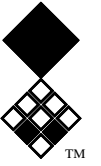
Extreme Clean 1200



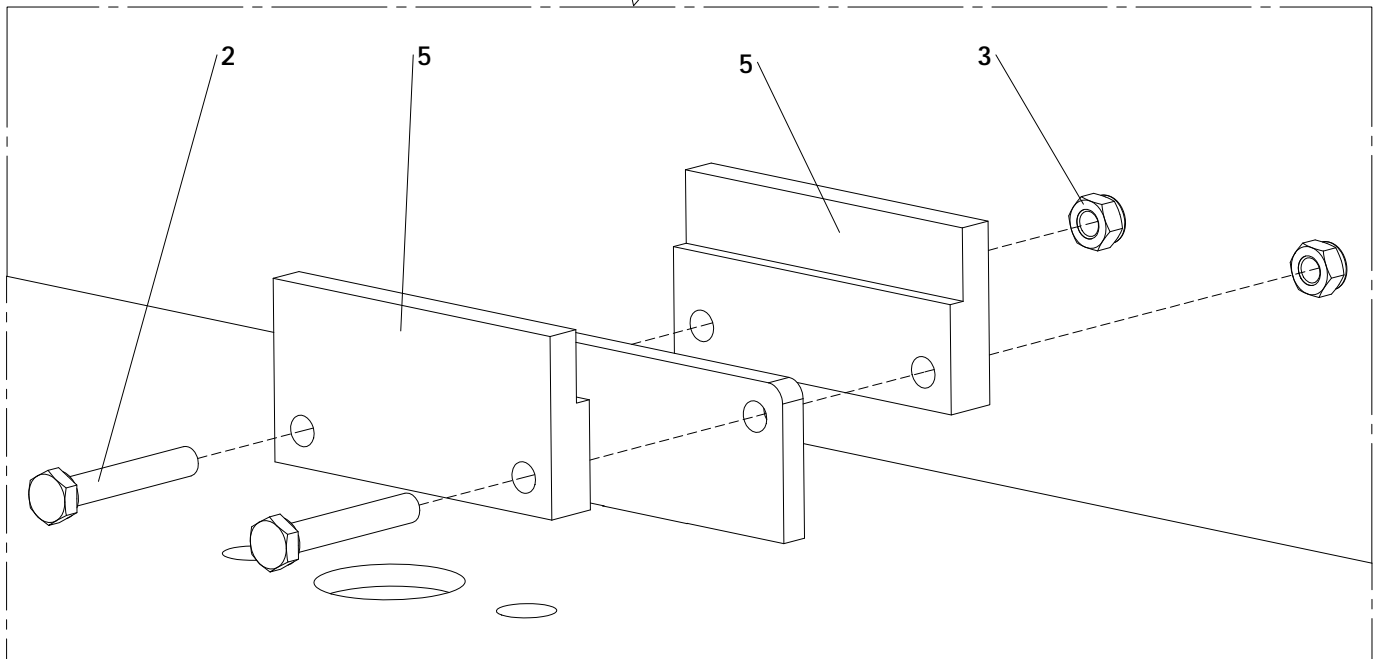
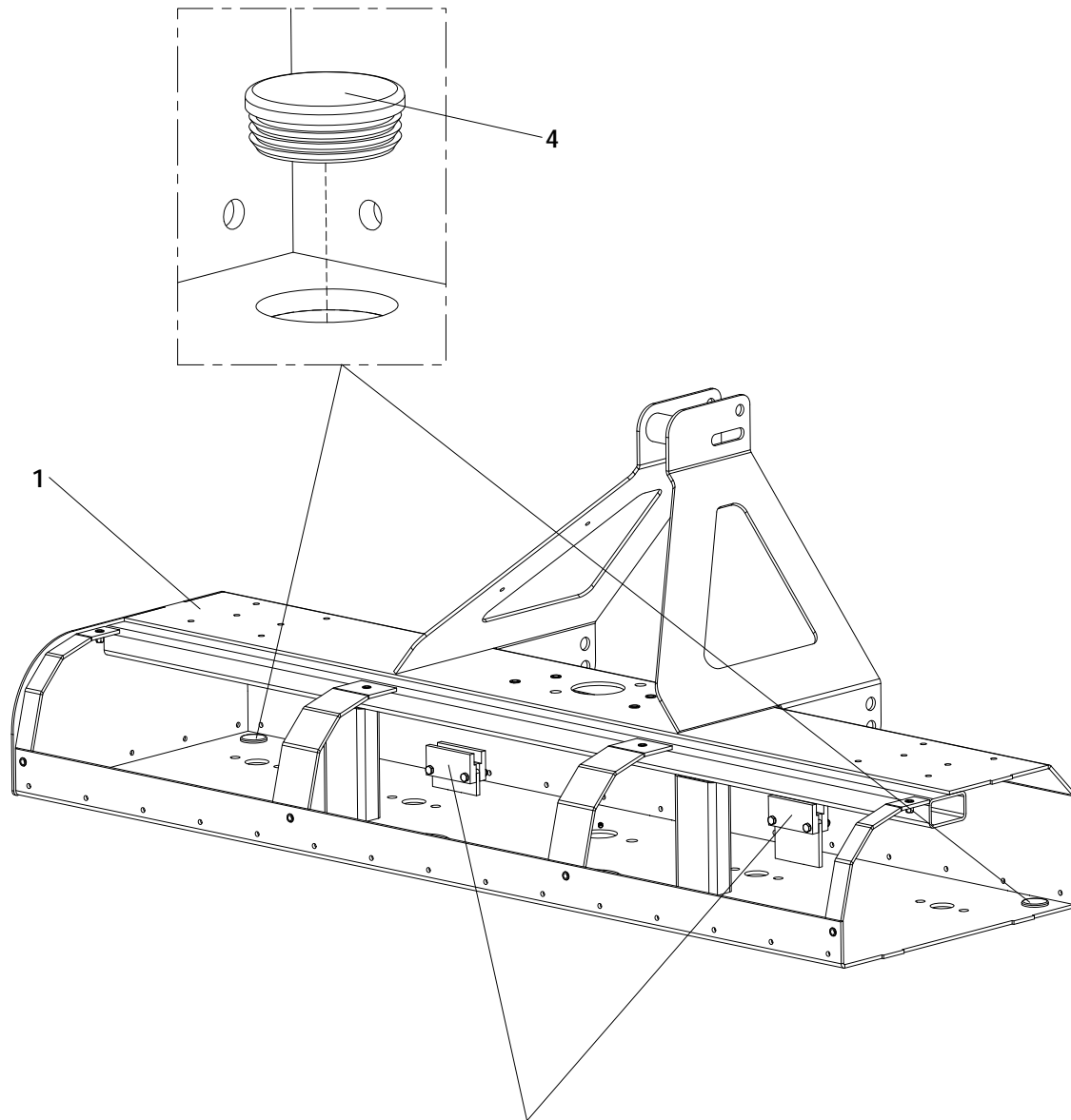
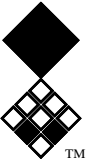
ITEM	PART NUMBER	DESCRIPTION	REMARKS	QUA
1	635.250.350	Sprocket 5/8" Simplex Z=27 Reworked		4
2	472.801.440	Brush weldment	Length is 169mm	2
3	472.801.442	Brush weldment	Length is 178mm	2
4	486.702.550	Brush Ø255	Complete set for machine is 5	4
5	802.080.450	Bolt M8 x 45 - ISO 4014		16
6	830.080.080	Self Lock Nut M8 - ISO 10511		16
7	884.080.250	Key 8x7x25 - DIN 6885		4
8	804.080.350	Bolt M8 x 35 - ISO 4017		4
9	866.080.020	Spring Washer M8 - DIN 127		4
10	406.260.250	Distance bush Ø25.5/Ø40 L=25		1
11	406.260.350	Distance bush Ø25.5/Ø40 L=35		1
12	402.090.050	Bush Ø40/Ø9 L=5		4
13	406.260.292	Distance bush Ø25.5/Ø40 L=29		1
14	406.260.190	Distance bush Ø25.5/Ø40 L=19		1
15	406.260.060	Distance bush Ø35/25.5 L=6		2



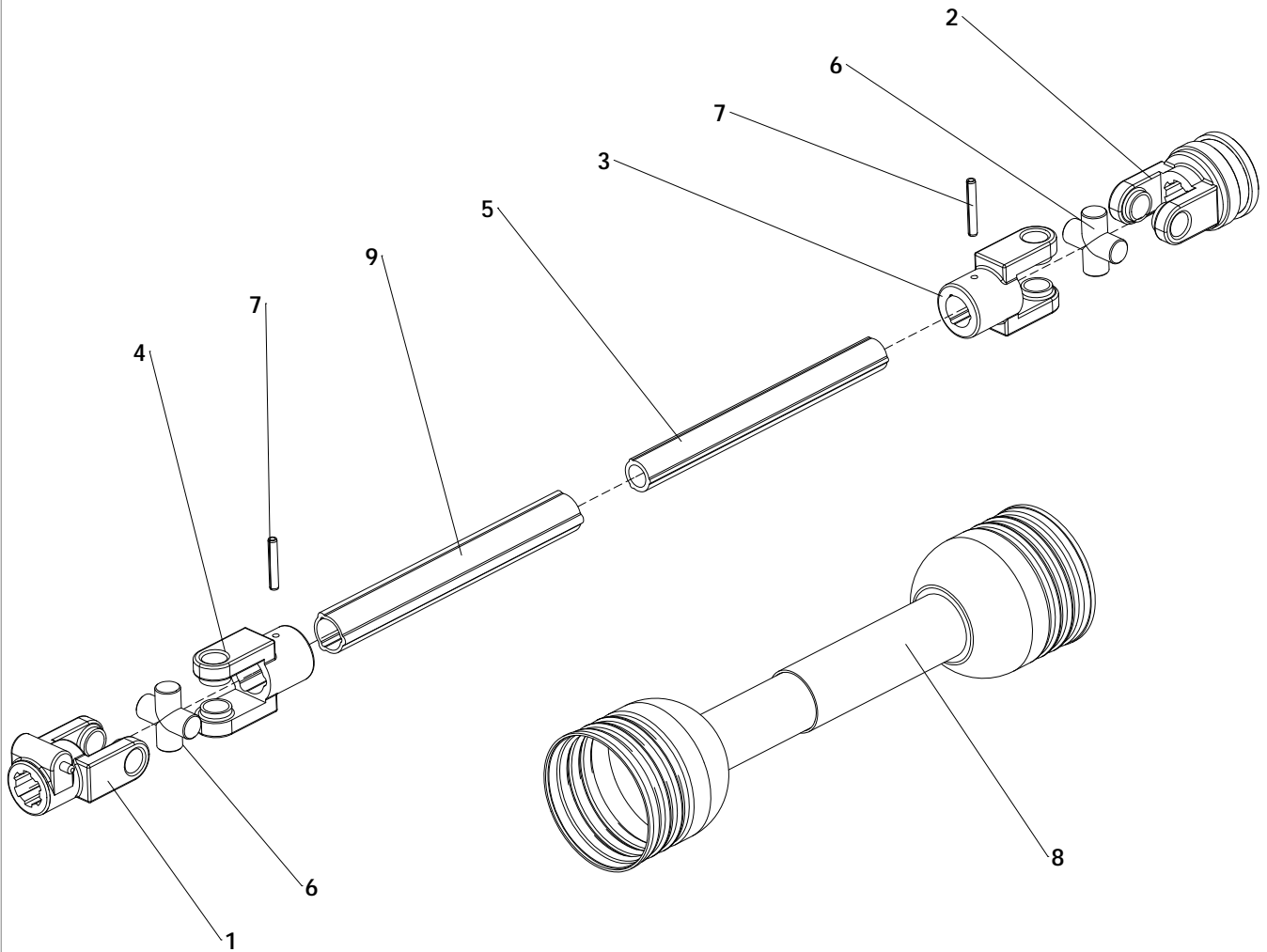
ITEM	PART NUMBER	DESCRIPTION	REMARKS	QUA 1200	QUA 1800
1	742.250.360	Bearing UCFL 205		4	12
2	742.450.520	Bearing UCFL 209		2	2
3	804.160.500	Bolt M16 x 50 - ISO 4017		4	12
4	830.160.160	Self Lock Nut M16 - ISO 10511		4	12
5	830.180.180	Self Lock Nut M18 - ISO 10511		4	4
6	804.180.450	Bolt M18 x 45 - ISO 4017		4	4
7	406.260.092	Distance bush Ø35/25.5 L=9.4		2	6
8	880.060.100	Grease nipple M6 DIN 71412A		5	13
9	880.060.104	Grease nipple M6 45deg. DIN 71412B		1	1



ITEM	PART NUMBER	DESCRIPTION	REMARKS	QUA 1200	QUA 1800
1	742.250.360	Bearing UCFL 205	Qua per machine	4	4
2	470.052.400	Spanner	Qua per machine	2	2
3	804.160.500	Bolt M16 x 50 - ISO 4017	Qua per machine	4	4
4	830.160.160	Self Lock Nut M16 - ISO 10511	Qua per machine	4	4
5	406.260.092	Distance bush Ø35/25.5 L=9.4	Qua per machine	2	2
6	880.060.100	Grease nipple M6 DIN 71412A	Qua per machine	4	4
7	820.100.300	MH Bolt M10 x 30 ISO 8677	Qua per machine	8	8
8	826.160.160	Nut M16 - DIN 934	Qua per machine	4	4
9	830.100.100	Self Lock Nut M10 - ISO 10511	Qua per machine	8	8
10	864.100.031	Large washer M10 - DIN 9021	Qua per machine	8	8



ITEM	PART NUMBER	DESCRIPTION	REMARKS	QUA 1200	QUA 1800
1	494.076.189	Frame Extreme clean 1800 II	Extreme Clean 1800	0	1
	494.076.134	Frame Extreme clean 1200 II	Extreme Clean 1200	1	0
2	804.080.500	Bolt M8 x 50 - ISO 4017		4	4
3	830.080.080	Self Lock Nut M8 - ISO 10511		4	4
4	768.420.440	Round tube insert Ø44.4 1-3		2	2
5	444.151.002	Chain guide		4	4



Redexim PTO T20 push pin**Code 1302**

ITEM	PART NUMBER	DESCRIPTION	REMARKS	QUA
1	141022001	Splined push pin yoke		1
2	141022324	Complete collar yoke type 20		1
3	151012002	Inner tube yoke type 20		1
4	151012003	Outer tube yoke type 20		1
5	153120223	T20 Inner Tube		1
6	180012130	Cross and 4x circlip kit		2
7	190000011	Roll Pin 8 x 50		2
8	1422202469230	Complete guard 20-series		1
9	1521203250700	T20 Outer tube		1
	613.805.100	PTO T20 push pin complete		