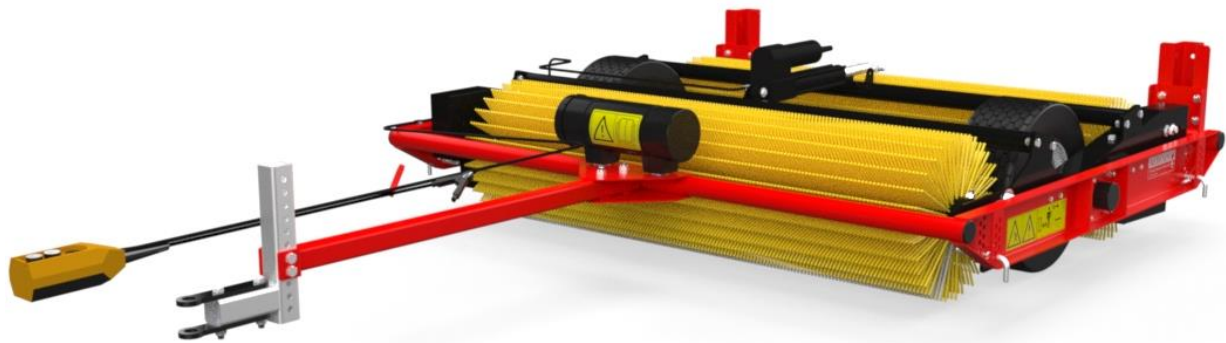
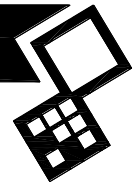


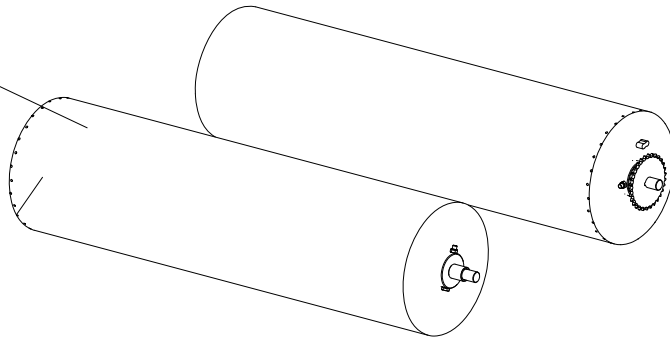
SPEED BRUSH



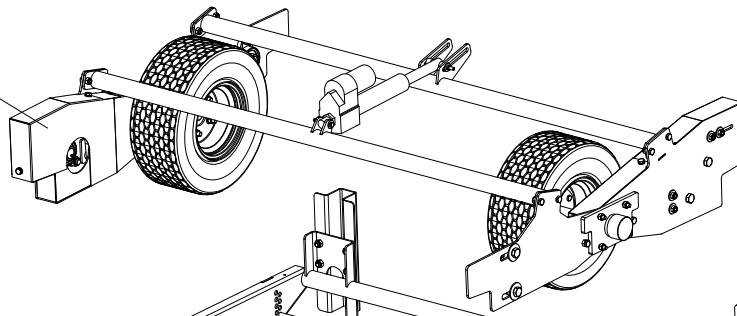
Version: 2311



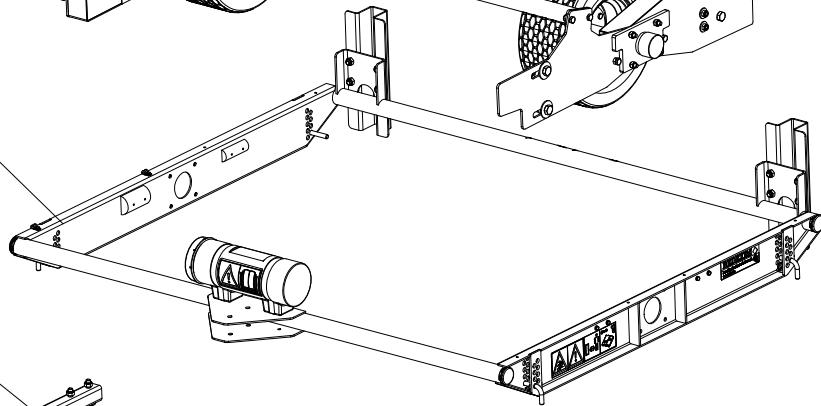
Page 6



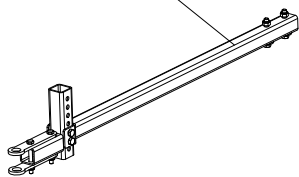
Page 4-5



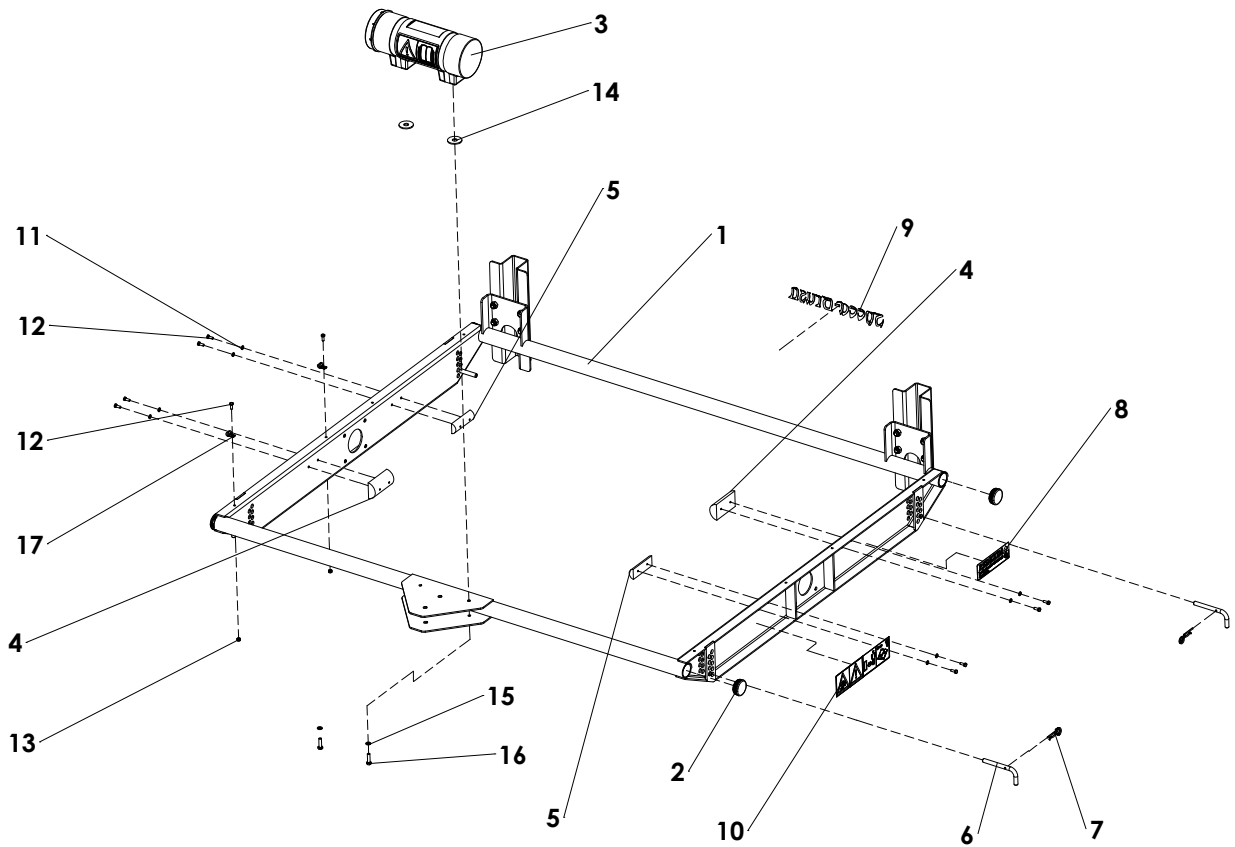
Page 2-3



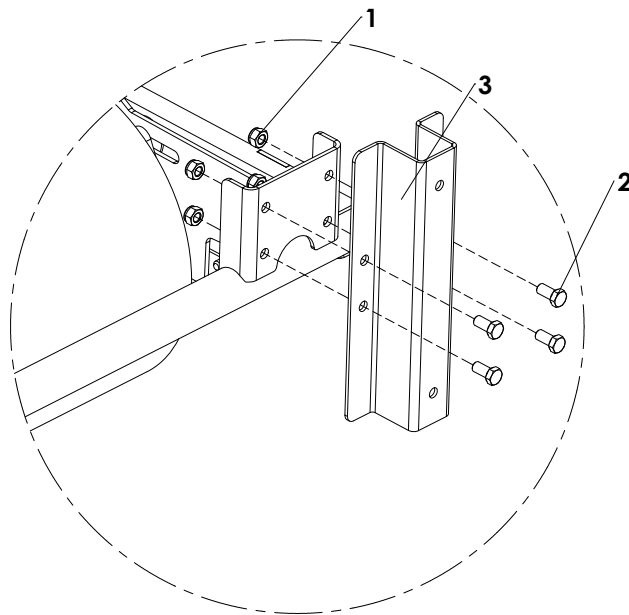
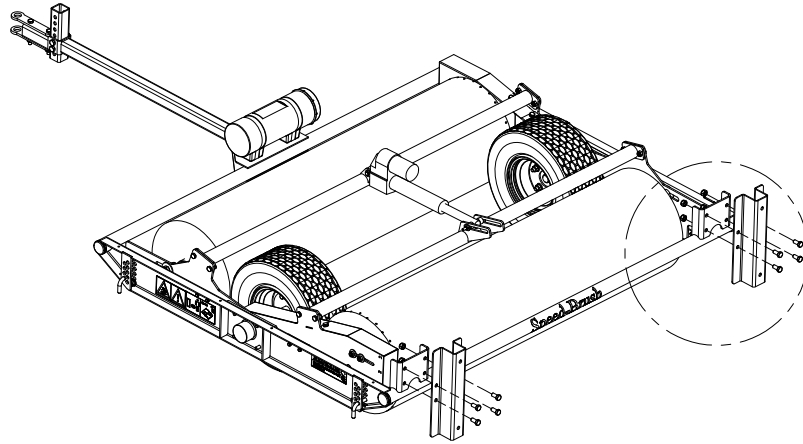
Page 7



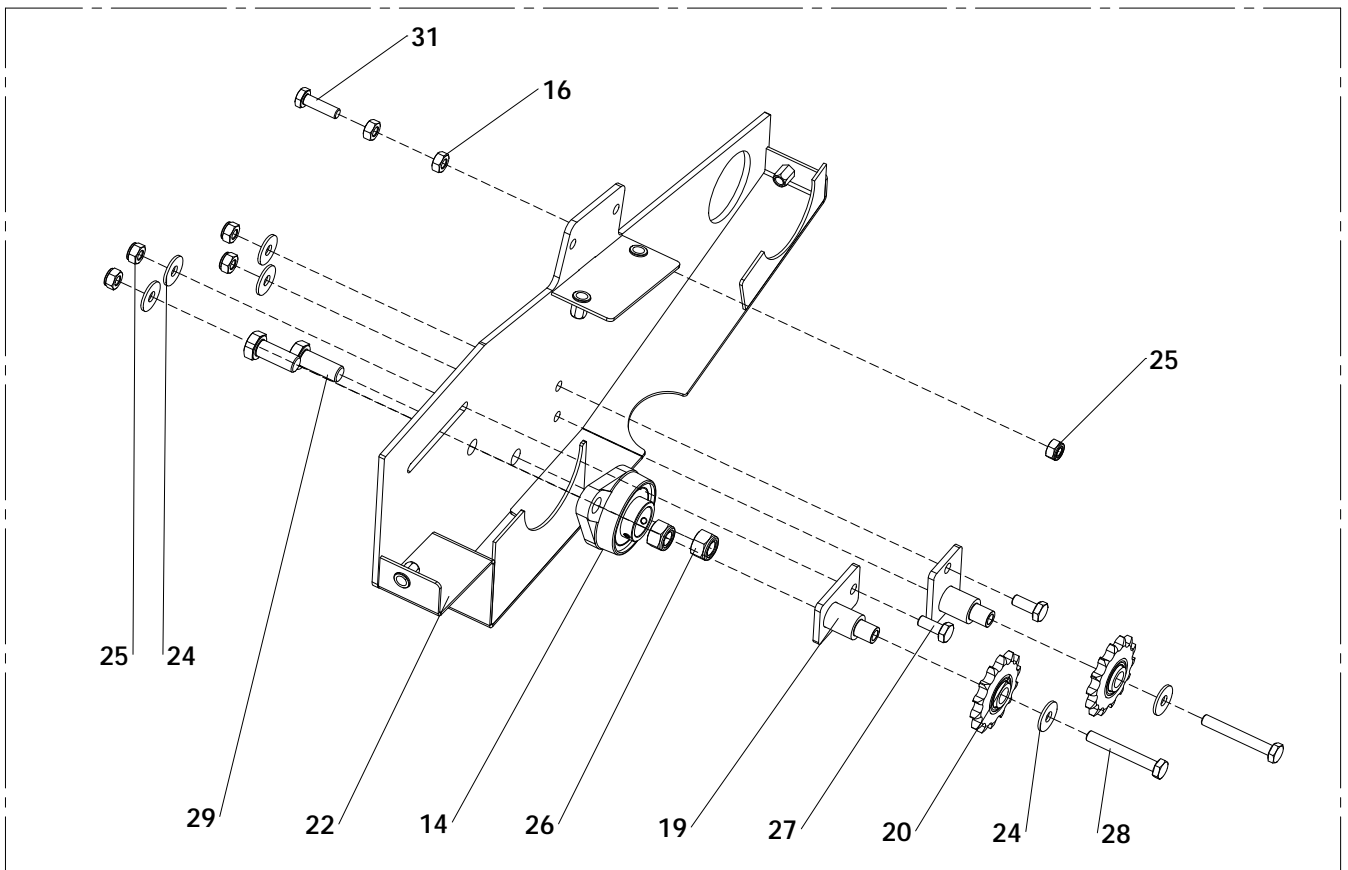
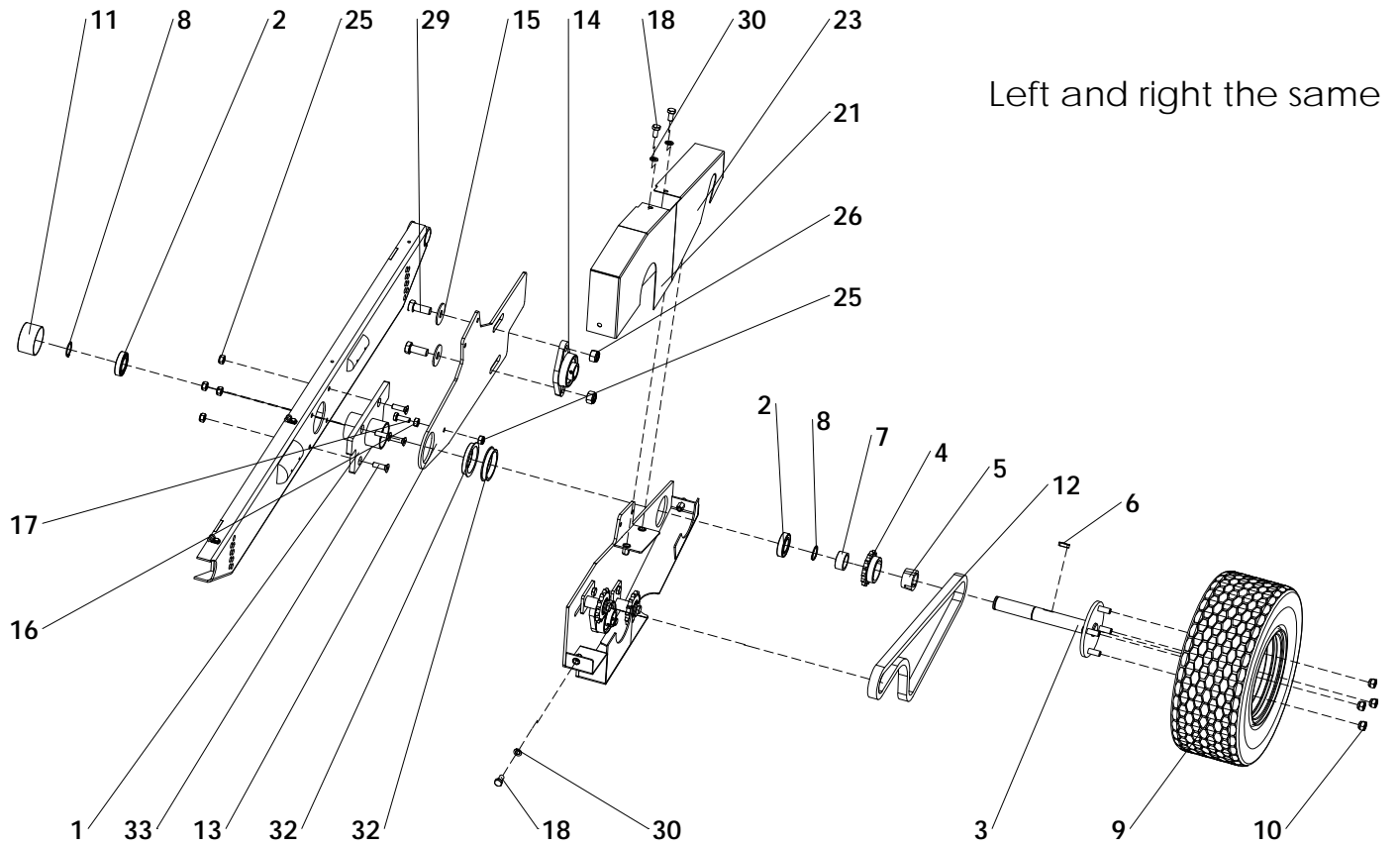
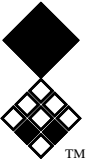
Electrical Page 8



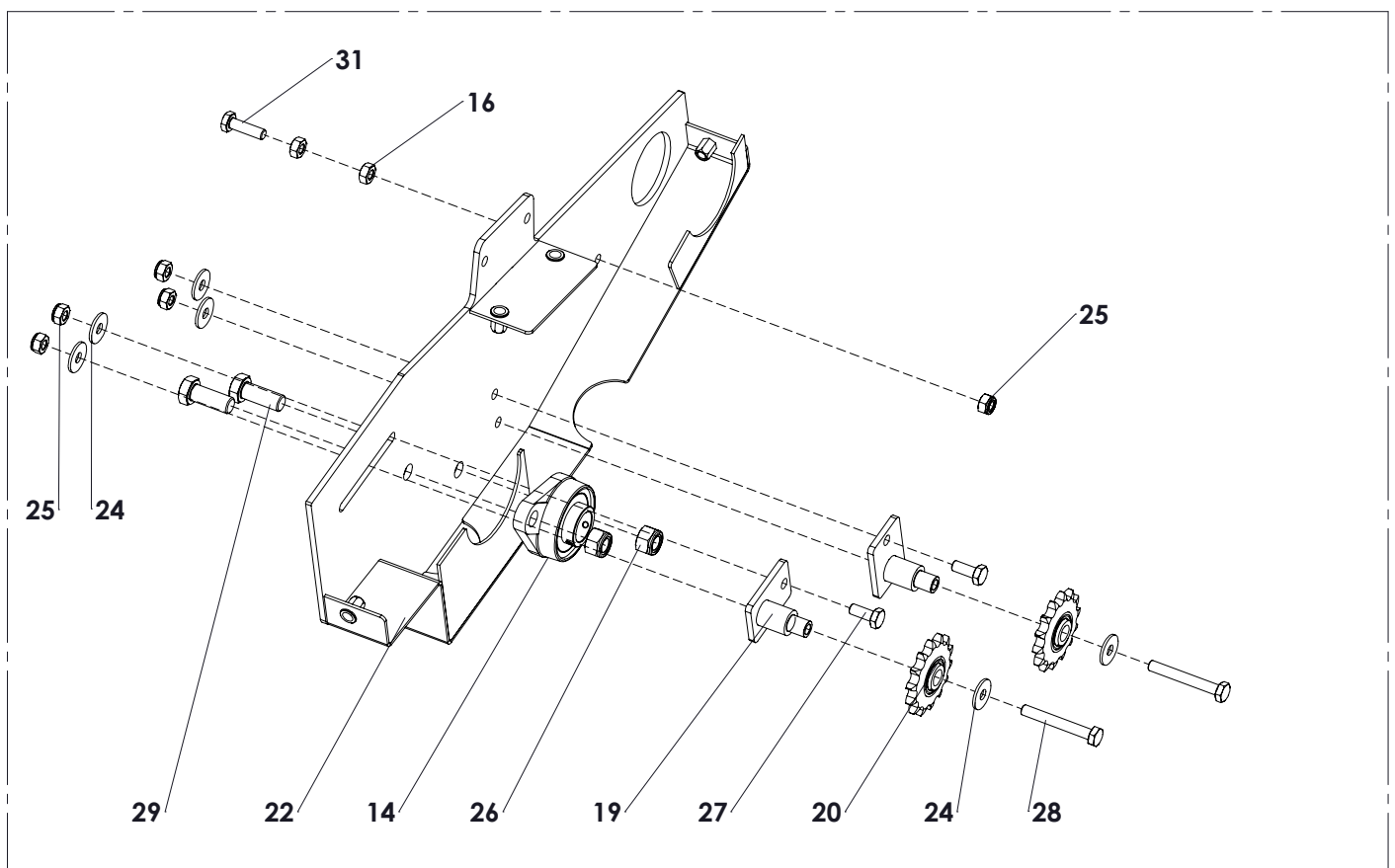
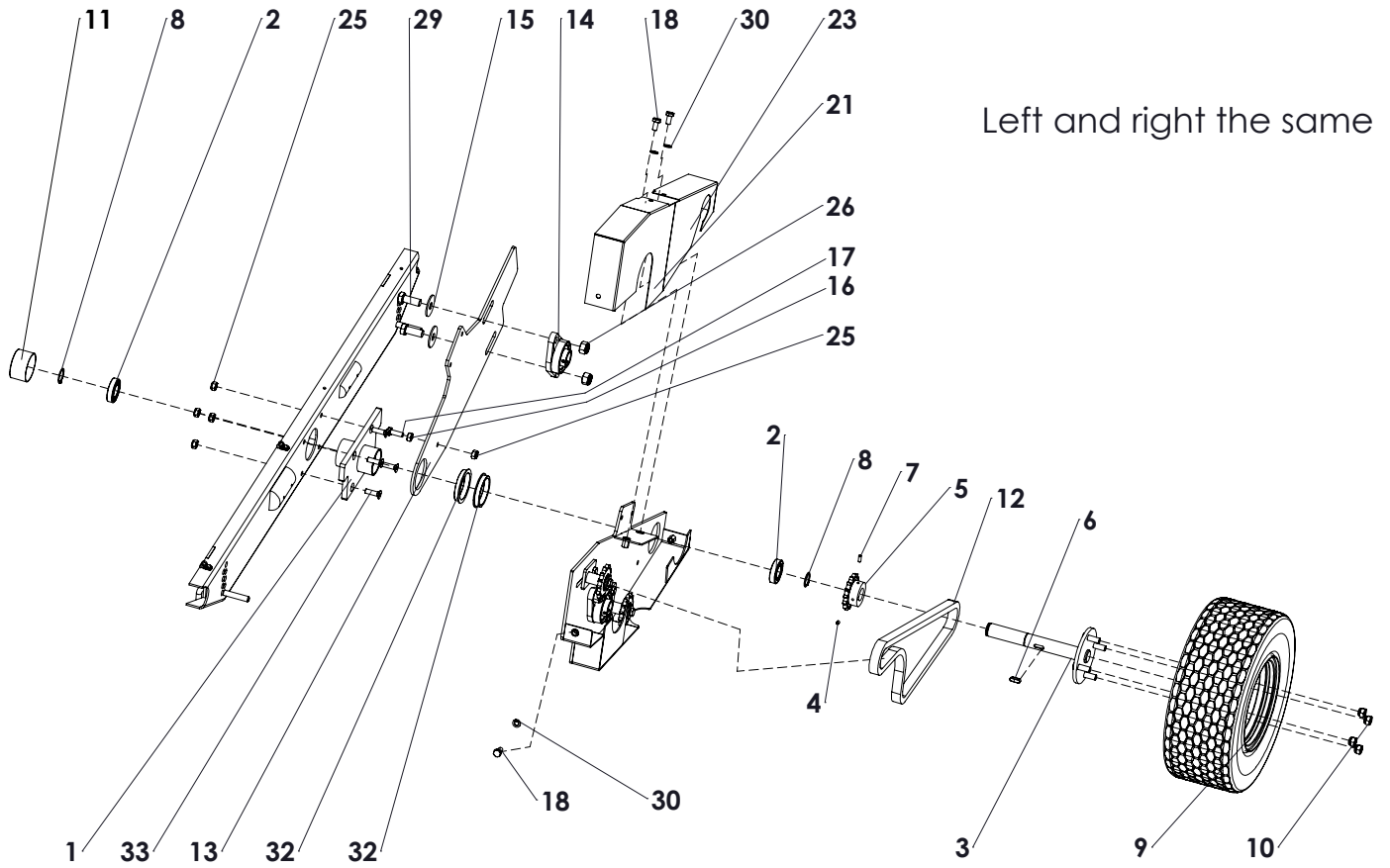
ITEM	PART NUMBER	DESCRIPTION	REMARKS	QUA
1	494.164.175	Frame brush		1
2	768.500.200	Round tube end insert		4
3	444.803.100	Toolbox Complete		1
4	444.251.000	Guide		2
5	444.151.000	Guide		2
6	472.121.510	Height adjustment pin		4
7	523.030.750	R-Clip Round 3, DIN 11024		4
8	900.260.403	Logo Label		2
9	942.260.406	Label Speed-Brush		1
10	933.280.402	Safety decall Rink Verti-Top		2
11	866.060.020	Spring Washer M6 - DIN 127		8
12	804.060.160	Bolt M6 x 16 - ISO 4017		10
13	830.060.060	Self Lock Nut M6 - ISO 10511		2
14	864.140.031	Large washer M14 - DIN 9021		2
15	866.080.020	Spring Washer M8 - DIN 127		2
16	804.080.300	Bolt M8 x 30 - ISO 4017		2
17	547.060.160	Hose Clamp Ø6		2



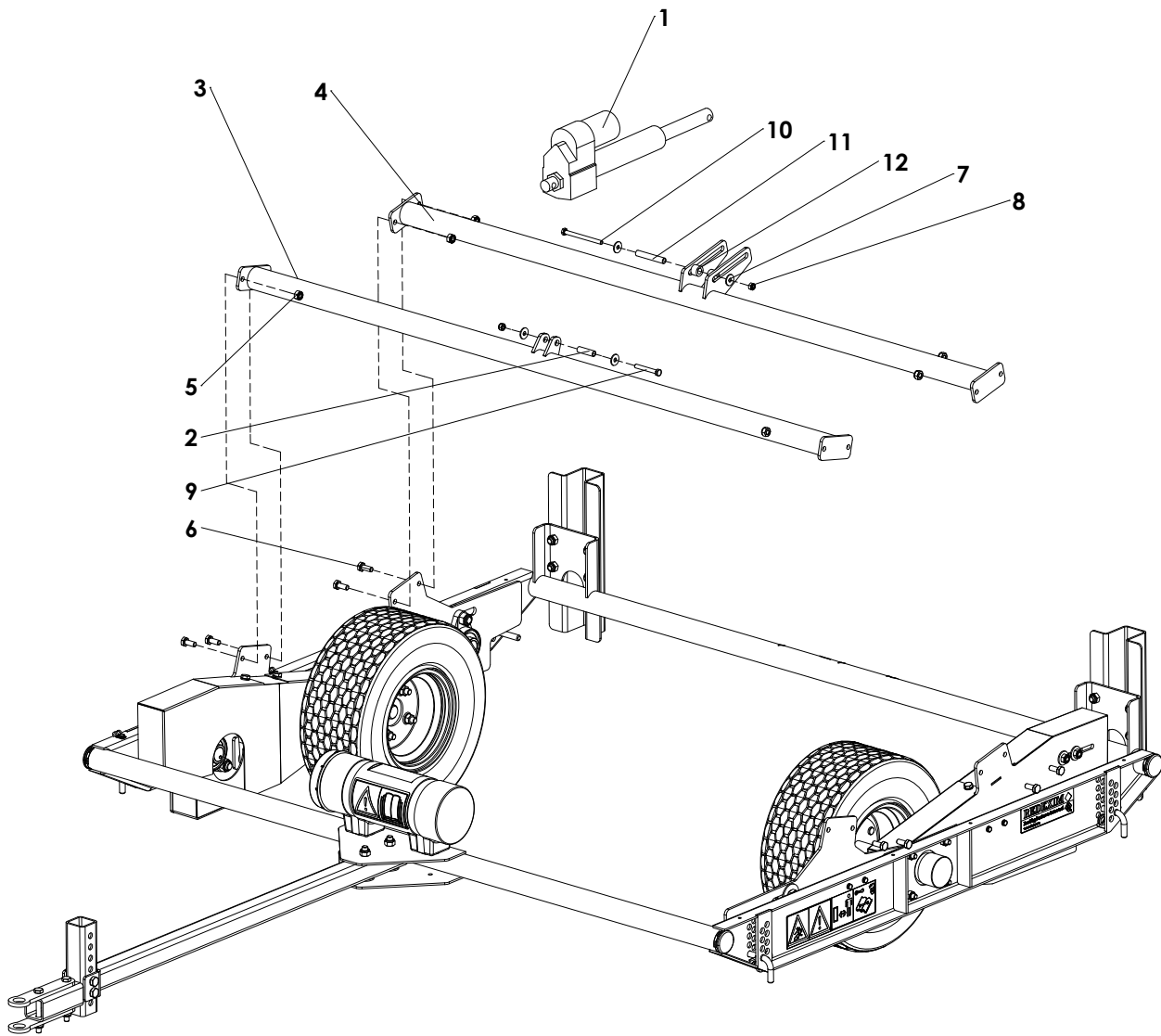
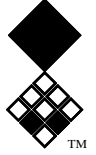
ITEM	PART NUMBER	DESCRIPTION	REMARKS	QUA
1	830.120.120	Self Lock Nut M12 - ISO 10511		8
2	804.120.250	Bolt M12 x 25 - ISO 4017		8
3	468.043.500	U-bracket		2



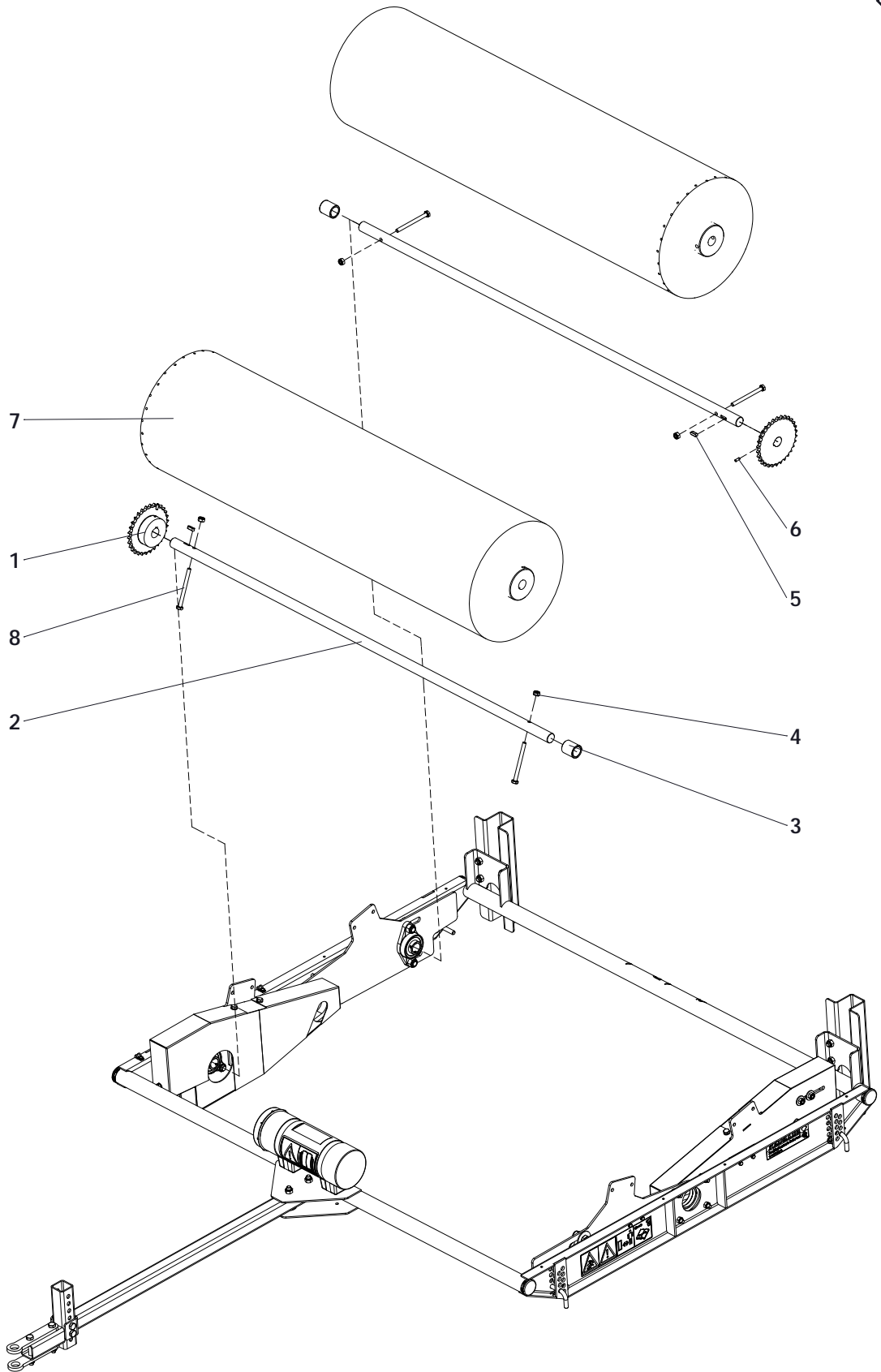
ITEM	PART NUMBER	DESCRIPTION	REMARKS	QUA
1	470.122.400	Axle frame		2
2	713.300.130	Bearing 6006-LLU		4
3	474.302.690	Wheel axle		2
4	635.020.832	Sprocket Taperlock Simplex 5/8" x 3/8". Z=15		2
5	648.301.210	Taperlock 1210 - 30mm		2
6	884.080.250	Key 8x7x25 - DIN 6885		2
7	406.300.180	Distance bush Ø40/Ø31 L=18.6		2
8	870.030.160	Circlip d=30 - DIN 471		4
9	511.420.158	Wheel 16 x 6.50		2
10	844.120.120	Wheel nut M12x1.5		8
11	768.630.380	Flexicap Ø63.5 L=38		2
12	631.021.445	Chain 5/8" L=1445		2
13	468.066.700	Swing arm		2
14	742.300.400	Bearing UCFL206		4
15	864.160.031	Large washer M16 - DIN 9021		4
16	826.100.100	Nut M10 - DIN 934		6
17	804.100.300	Bolt M10 x 30 - ISO 4017		2
18	804.100.200	Bolt M10 x 20 - ISO 4017		6
19	466.060.704	Spanner		4
20	638.020.930	Spanner 5/8 14T		4
21	456.373.072	Cover front		2
22	470.066.902	Swingarm driven		2
23	456.320.072	Cover back		2
24	864.100.031	Large washer M10 - DIN 9021		12
25	830.100.100	Self Lock Nut M10 - ISO 10511		20
26	830.160.160	Self Lock Nut M16 - ISO 10511		8
27	804.100.250	Bolt M10 x 25 - ISO 4017		4
28	802.100.750	Bolt M10 x 75 - ISO 4014		4
29	804.160.400	Bolt M16 x 40 - ISO 4017		8
30	866.100.020	Spring Washer M10 - DIN 127		2
31	804.100.350	Bolt M10 x 35 - ISO 4017		2
32	444.120.800	Nylon bush Ø63/Ø72 L=12		4
33	816.100.350	Bolt M10 x 35 - DIN 7991		8



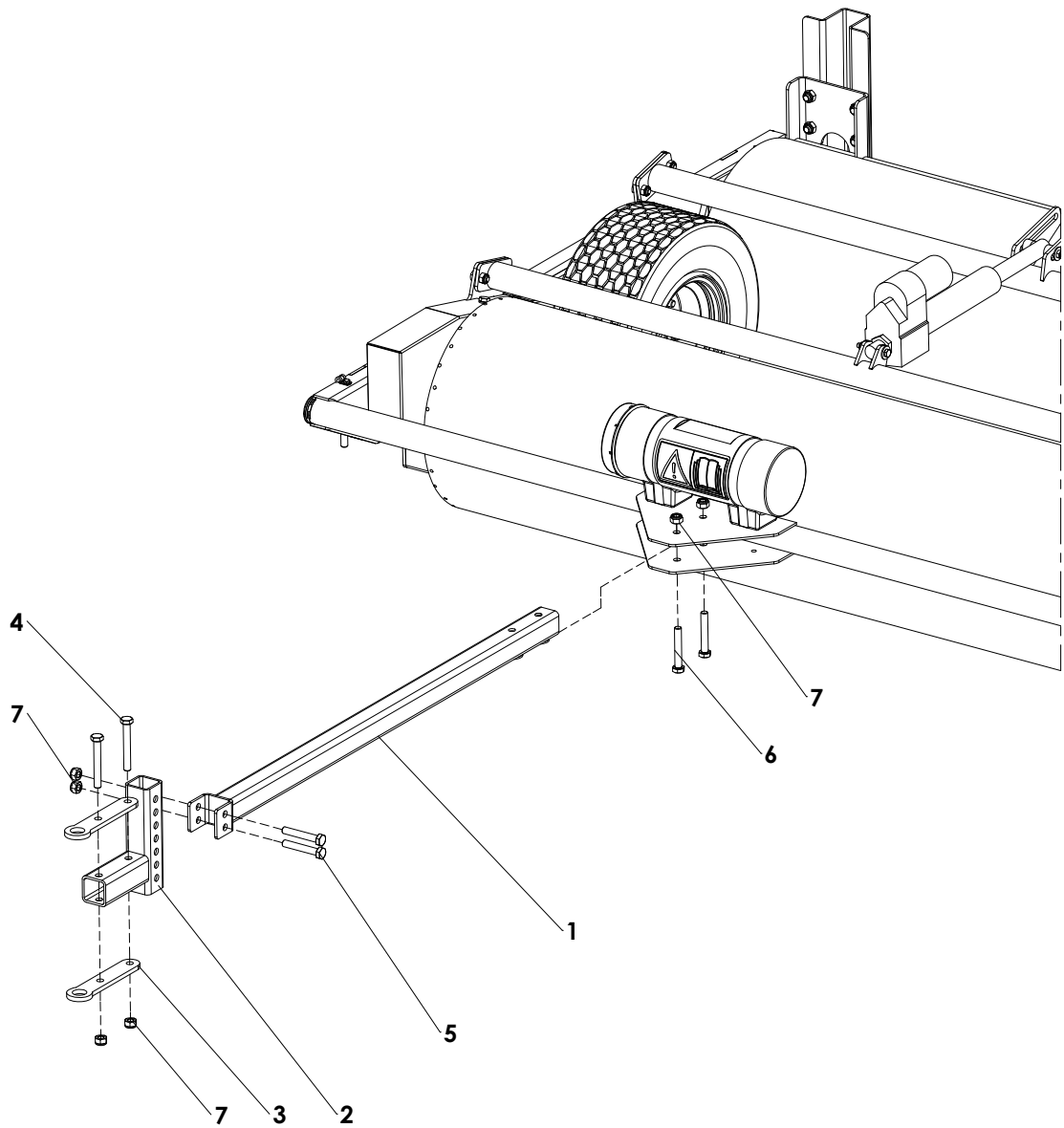
ITEM	PART NUMBER	DESCRIPTION	REMARKS	QUA
1	470.122.400	Axle frame		2
2	713.300.130	Bearing 6006-LLU		4
3	474.302.690	Wheel axle		2
4	818.060.080	Set screw M6x8		2
5	633.020.302	Chain wheel 5/8"x3/8" - Z=15		2
6	884.080.250	Key 8x7x25 - DIN 6885		2
7	818.060.160	Set screw M6 x 16 Din 913		2
8	870.030.160	Circlip d=30 - DIN 471		4
9	511.420.158	Wheel 16 x 6.50		2
10	844.120.120	Wheel nut M12x1.5		8
11	768.630.380	Flexicap Ø63.5 L=38		2
12	631.021.445	Chain 5/8" L=1445mm		2
13	468.066.700	Swing arm		2
14	742.300.400	Bearing UCFL206		4
15	864.160.031	Large washer M16 - DIN 9021		4
16	826.100.100	Nut M10 - DIN 934		6
17	804.100.300	Bolt M10 x 30 - ISO 4017		2
18	804.100.200	Bolt M10 x 20 - ISO 4017		6
19	466.060.704	Spanner		4
20	638.020.930	Spanner 5/8 14T		4
21	456.373.072	Cover front		2
22	470.066.902	Swingarm driven		2
23	456.320.072	Cover back		2
24	864.100.031	Large washer M10 - DIN 9021		12
25	830.100.100	Self Lock Nut M10 - ISO 10511		20
26	830.160.160	Self Lock Nut M16-ISO 10511 Class 10		8
27	804.100.250	Bolt M10 x 25 - ISO 4017		4
28	802.100.750	Bolt M10 x 75 - ISO 4014		4
29	804.160.400	Bolt M16 x 40 - ISO 4017		8
30	866.100.020	Spring Washer M10 - DIN 127		2
31	804.100.350	Bolt M10 x 35 - ISO 4017		2
32	444.120.800	Nylon bush Ø63/Ø72 L=12		4
33	816.100.350	Bolt M10 x 35 - DIN 7991		8



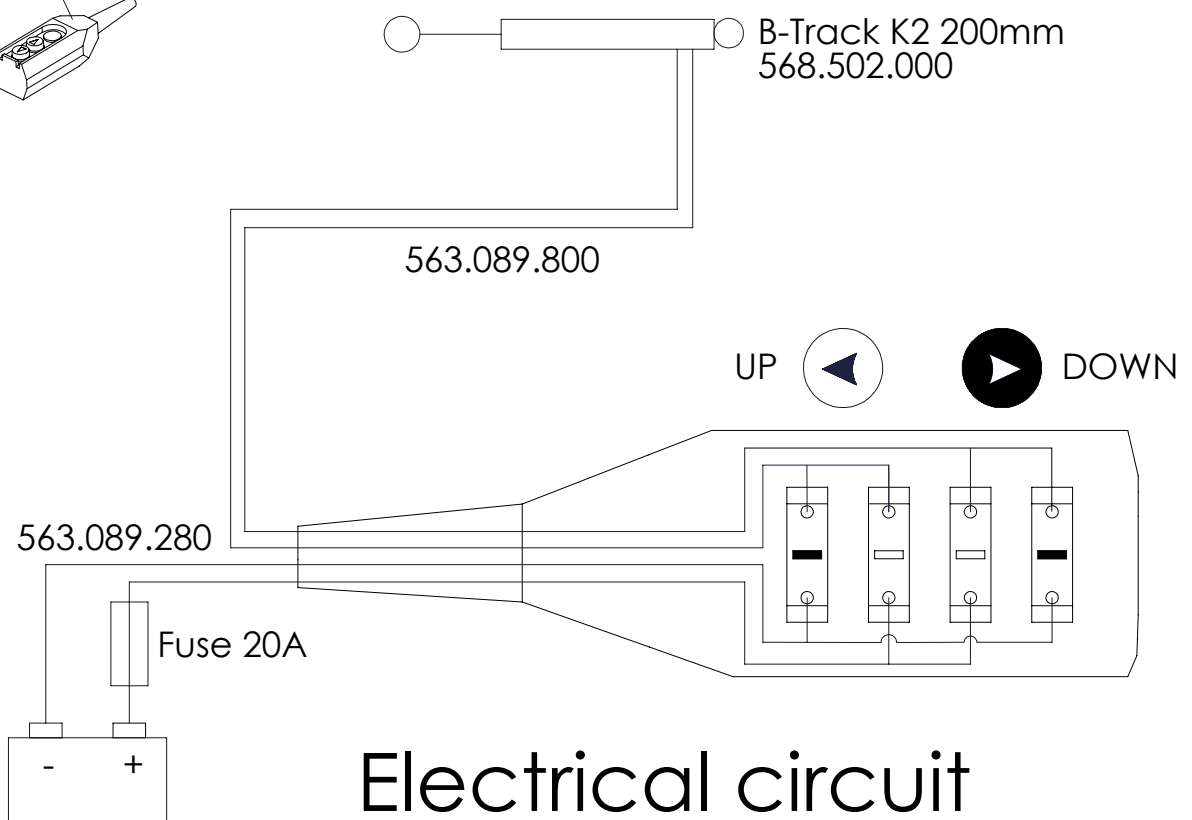
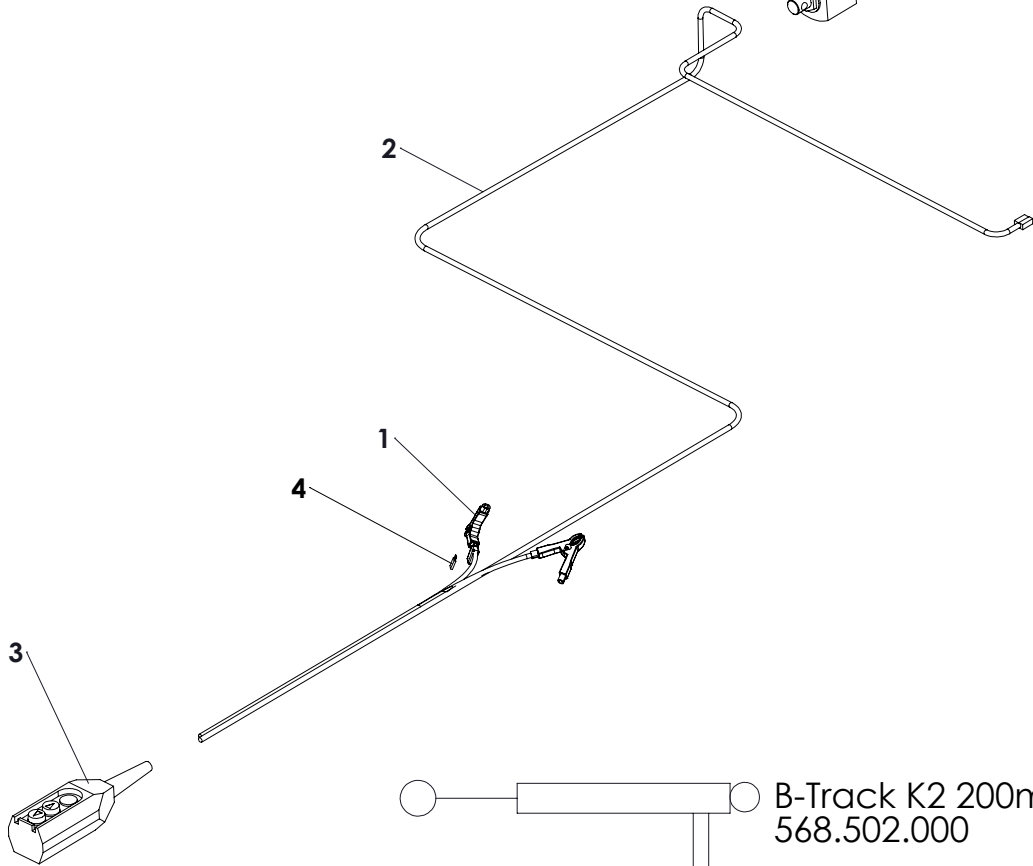
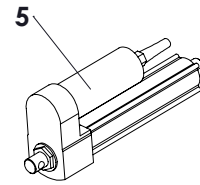
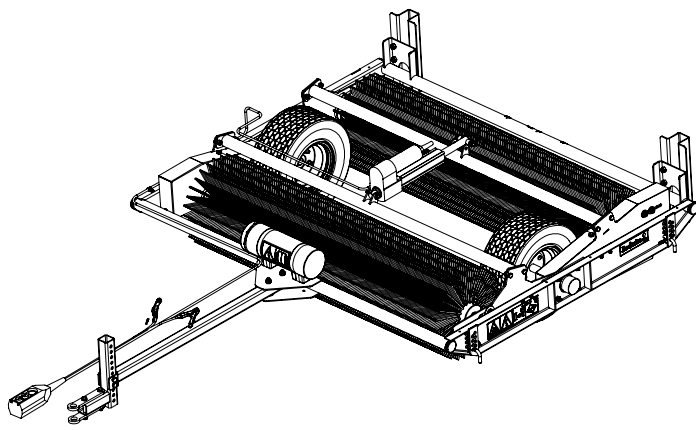
ITEM	PART NUMBER	DESCRIPTION	REMARKS	QUA
1	568.502.000	B-Track K2 200mm		1
2	402.090.420	Bush Ø12 L=42		1
3	478.100.916	Cross beam front		1
4	478.190.916	Cross beam back		1
5	830.100.100	Self Lock Nut M10 - ISO 10511		8
6	804.100.250	Bolt M10 x 25 - ISO 4017		8
7	864.080.024	Large washer M8 - DIN 9021		4
8	830.080.080	Self Lock Nut M8 - ISO 10511		2
9	802.080.600	Bolt M8 x 60 - ISO 4014		1
10	802.080.100	Bolt M8 x 100 - ISO 4014		1
11	402.090.740	Bush Ø12 L=74		1
12	402.130.152	Bush Ø22/12.5 L=15		2



ITEM	PART NUMBER	DESCRIPTION	REMARKS	QUA
1	635.021.520	Sprocket 5/8" Simplex Z=30		2
2	414.309.164	Brush axle		2
3	406.310.440	Distance Bush Ø40/Ø31 L=44		2
4	830.100.100	Self Lock Nut M10 - ISO 10511		4
5	884.080.250	Key 8x7x25 - DIN 6885		2
6	818.060.160	Set screw M6 x 16 Din 913		2
7	486.381.400	Brush for Rotation Brush	Color: yellow	2
	486.381.610	Spiral Brush	Color: blue (extra stiff version)	2
8	802.201.000	Bolt M10 x 120 - ISO 4014		4

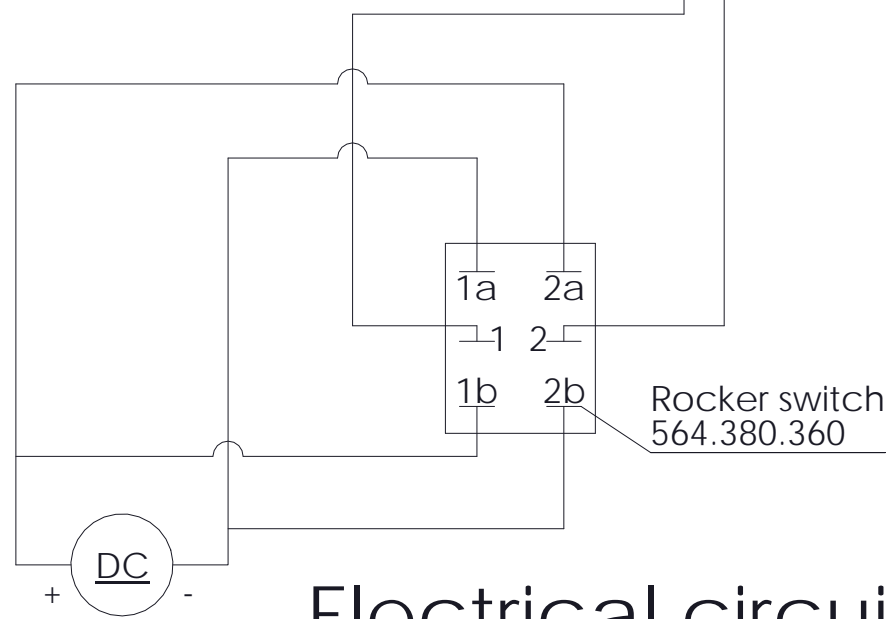
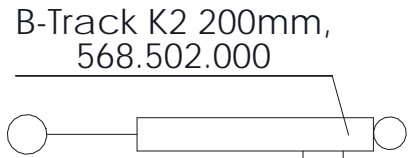
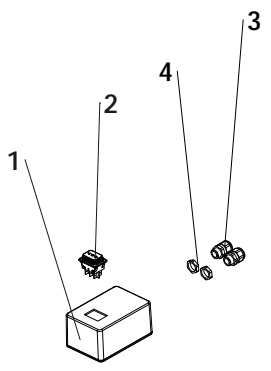
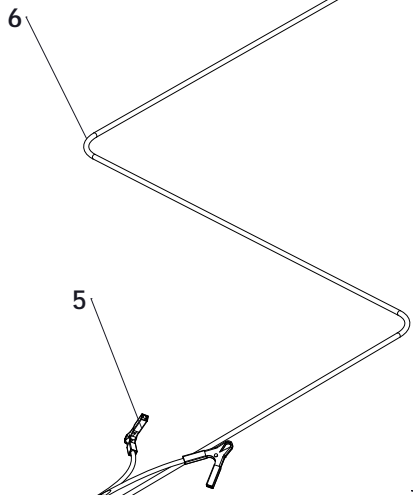
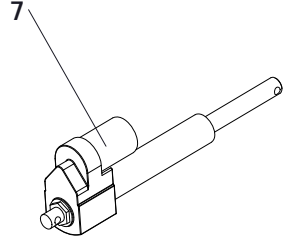
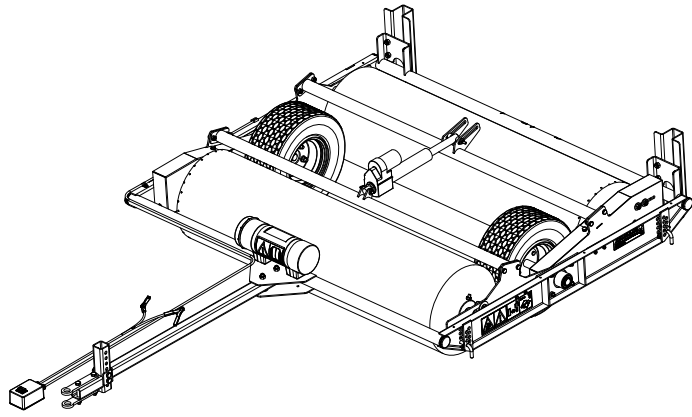


ITEM	PART NUMBER	DESCRIPTION	REMARKS	QUA
1	462.062.912	Draw bar tube		1
2	462.200.180	Draw Bar Front		1
3	468.051.930	Pull eye		2
4	802.120.900	Bolt M12 x 90 - ISO 4014		2
5	802.120.750	Bolt M12 x 75 - ISO 4014		2
6	802.120.750	Bolt M12 x 75 - ISO 4014		2
7	830.120.120	Self Lock Nut M12 - ISO 10511		6



Electrical circuit

ITEM	PART NUMBER	DESCRIPTION	REMARKS	QUA
1	563.089.280	Cable with battery clamps L=2750		1
2	563.089.800	Cable for actuator L=7750		1
3	569.672.830	Electric control unit		1
4	565.050.210	Fuse 20A		1
5	568.502.000	Electric actuator		1
	242.140.100	Electrical wiring Speed Brush	Complete kit (includes 1-4)	



Electrical circuit

ITEM	PART NUMBER	DESCRIPTION	REMARKS	QUA
1	569.501.250	Case		1
2	564.380.360	Rocker switch up/down		1
3	833.160.340	Cable plug Ø8/M16x1.5		2
4	833.160.050	Nut Cable plug M16x1.5		2
5	563.089.280	Cable with battery clamps L=2750		1
6	563.089.800	Cable for actuator L=7750		1
7	568.502.000	B-Track K2 200mm		1