

# User Manual and Parts Book

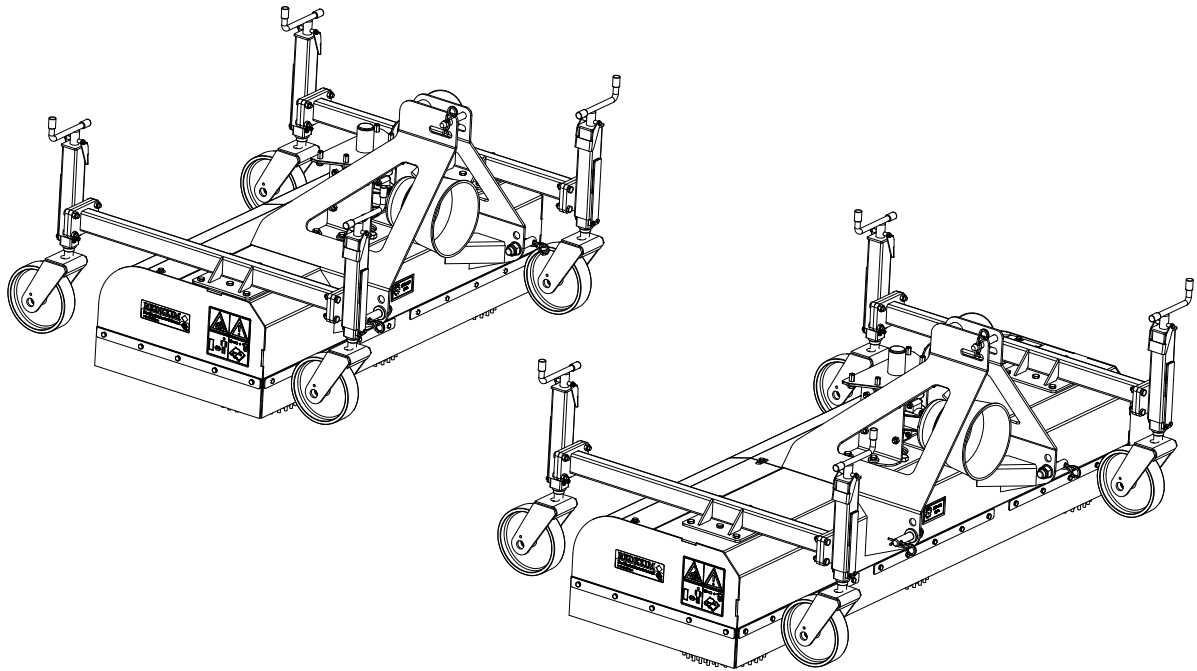


## Extreme Clean II 1200 - 1800

Kwekerijweg 8  
3709JA Zeist  
The Netherlands  
T: (31)306933227  
F: (31)306933228  
E: [verti-drain@redexim.com](mailto:verti-drain@redexim.com)  
[www.redexim.com](http://www.redexim.com)

### Serial number:

Translation of the original operating instructions





**ATTENTION:**  
IT IS OF THE UTMOST IMPORTANCE TO READ THIS USER MANUAL CAREFULLY PRIOR TO USING THE EXTREME CLEAN II IN ORDER TO USE THE MACHINE SAFELY AND TO OBTAIN THE BEST RESULTS.

## FOREWORD

Congratulation on your Extreme Clean II purchase! For safe and long-lasting operation of the Extreme Clean II, it is necessary to read and to understand this user manual. It is impossible to work safely with this machine *without* complete knowledge of its content.

The Extreme Clean II is not a machine that works independently. It is the user's responsibility to use the correct tractor. The user must also check the tractor/Extreme Clean II combination on safety aspects such as noise level, user instructions and risk analysis.

The following pages deal initially with the general safety instructions. Every user should know these safety instructions and apply them. At the end of this page, a registration card is inserted. This registration card should be returned to enable us to deal with potential future claims.

This user manual lists many instructions that are numbered in sequence. You should follow this sequence. A  is an indication of a safety instruction. A  means a tip and/or note.

All information and technical specifications provided at the moment that this document is published are the most recent ones. Design specifications may be changed without prior notice.

This document is a translation of the original operating instructions. Upon request, the original operating instructions are available in Dutch.

## WARRANTY CONDITIONS

AT THE TIME OF DELIVERY THE EXTREME CLEAN II IS GUARANTEED AGAINST MATERIAL DEFECTS.

THIS WARRANTY IS VALID FOR A PERIOD OF 12 MONTHS FROM THE PURCHASE DATE. EXTREME CLEAN II WARRANTIES ARE SUBJECT TO THE 'GENERAL CONDITIONS FOR SUPPLY OF PLANT AND MACHINERY FOR EXPORT, NUMBER 188' THAT ARE PUBLISHED UNDER THE AUSPICES OF THE UNITED NATIONS ECONOMIC COMMISSION FOR EUROPE.

## REGISTRATION CARD

For your own information, fill in the table below:

Serial number of the machine	
Dealer name	
Date of purchase	
Remarks	

# !SAFETY INSTRUCTIONS!

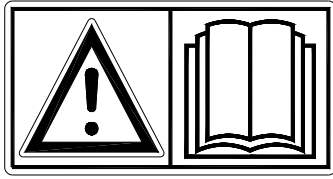


Figure 1

The Extreme Clean II is designed for safe use. This can only be achieved if you completely follow the safety instructions described in this manual. **Read and understand** (Figure 1) the manual *before* you start using the Extreme Clean II. If the machine is not used as described in this manual, this can result in injuries and/or damage to the Extreme Clean II.

1. The user must be an expert in using the machine. The machine should be professionally adjusted for cultivating the subsoil.

The manufacturer will not accept any liability for unprofessional use and its resulting damage. All risks occurring with this are entirely at the expense of the user. Not following the use, maintenance and repair instructions prescribed by the manufacturer is also considered unprofessional use of this machine.

Inspect the area to be treated *before* using the Extreme Clean II. Remove loose obstacles and avoid irregularities.

2. The Extreme Clean II is manufactured according to the latest technical understanding and is safe to use.

When unskilled people use, maintain or repair the machine, this could result in injuries to the user *and* to third parties. **This must be avoided!**

Always use the Extreme Clean II in combination with the correct tractor as described in the technical data.

3. All persons assigned to operate, maintain and repair the Extreme Clean II by the owner must read and fully understand the operation manual and in particular the chapter on **Safety Instructions**.

The user is responsible for a **safe Tractor/Extreme Clean II combination**. **This entire combination must be tested** for noise, safety, risk and user friendliness. User instructions should also be drafted.

4. The user is **obliged to check** the Extreme Clean II for **visible damage and defects** before using it.

Modifications to the Extreme Clean II (including its operations) that have a negative impact on safety must be rectified immediately.

For safety reasons it is in principle not permitted to make changes or adjustments to the Extreme Clean II (except those approved by the manufacturer).

If **modifications** to the Extreme Clean II have been made, then the current CE marking is cancelled. The person that has made these modifications has to apply for a new **CE marking himself**.

Check the Extreme Clean II for loose bolts, nuts and components *before* every operation.

If present, check the hydraulic pipelines regularly and replace these when the hydraulic pipelines are damaged or appear old. The pipelines that are replaced should comply with the technical requirements of the manufacturer.

If a hydraulic installation is present, you should **always** make it pressure-free *before* working on this installation.

**NEVER** use the Extreme Clean II in the absence of safety stickers.

**NEVER** crawl under the Extreme Clean II.  
If necessary, tilt the Extreme Clean II.

**NEVER** step off the tractor while the motor is running.

When carrying out maintenance, adjustments and repairs, it is necessary to block the Extreme Clean II in order to prevent it from sinking away, driving off and/or sliding off.

**Always switch off the tractor motor and take the tractor's key out of the ignition** in carrying out maintenance, adjustments and repairs (Figure 2).



Figure 2

Use only original Extreme Clean II parts for maintenance or repairs because of the safety of the machine *and* of the user.

Only authorised technical personnel may carry out repairs to the **Extreme Clean II**.

**Keep a record of the repair activities.**

5. The general applicable health & safety (Dutch: ARBO) regulations must also be followed in addition to the instructions in this user manual.

Relevant traffic regulations also apply in case of using public roads.

**Transporting persons is not permitted!**

Do not use the Extreme Clean II in the dark, in heavy rain/storm or on slopes with an angle larger than 20 degrees.

6. All persons who will be operating the Extreme Clean II must be familiar with all the functions and control elements of the Extreme Clean II *before* starting any work activities.

Attach the Extreme Clean II to the towing vehicle according to the regulations.

**(Danger of injuries!)**

Check whether you have a clear field of vision – both close by and far away – *before* you depart.

Safety stickers (Figure 2, 3 and 4) with identical intentions are attached to the sideboards (Figure 5) of the Extreme Clean II. These safety stickers must always be clearly visible and legible and must be replaced if they have become damaged.

During operation, **NO persons are allowed within the danger zone** of the Extreme Clean II, because there is danger of physical injuries caused by flying particles or substances (Figure 3).



Figure 3



Figure 4

**Keep a distance of minimum 4 metres!** (Figure 2) 4)

Pay attention to the permitted lifting capacity of the towing vehicle.

Dress appropriately. Wear sturdy shoes with steel toecaps, long trousers and tie up long hair. Do not wear loose clothing.

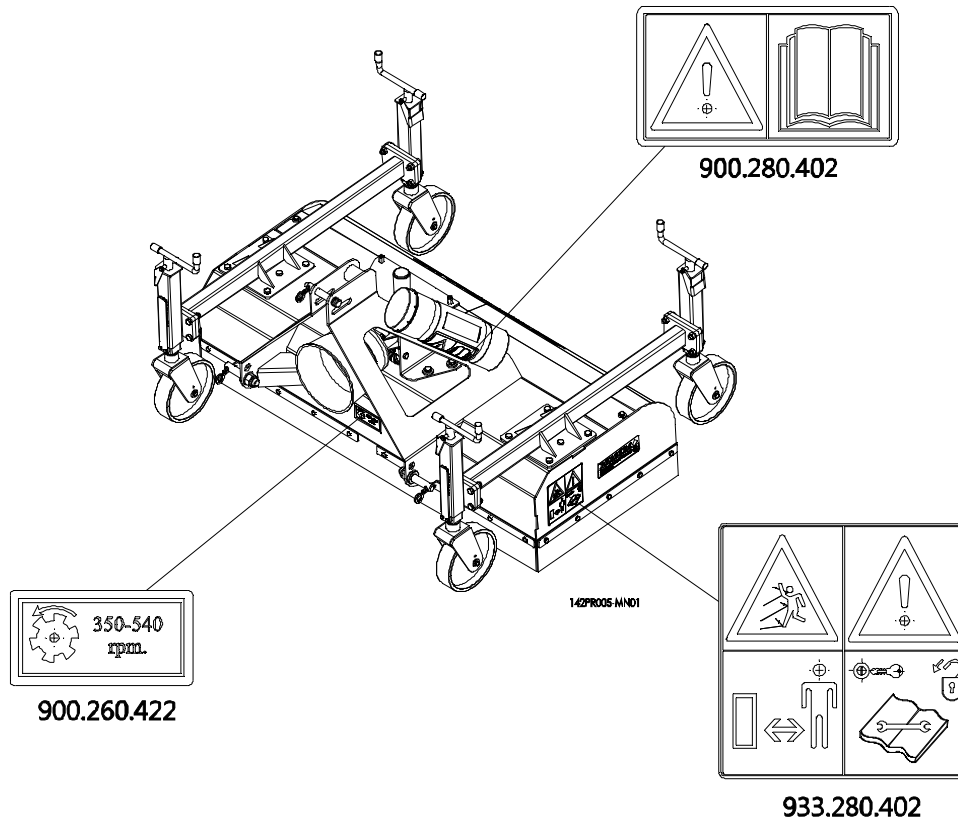


Figure 5

(7) Location of the safety stickers (Figure 5)



## EU-DECLARATION

We,

**Redexim BV  
Utrechtseweg 127  
3702 AC Zeist, the Netherlands**

declare entirely under our own responsibility that the product:

**OVERSEEDER WITH MACHINE NUMBER AS STATED ON THE MACHINE AND  
IN THIS MANUAL,**

to which this statement relates, is in accordance with the provisions of the Machine Directive 2006/42/EG.

Zeist, 12-02-2015

**A.C. Bos  
Manager Operations & Logistics  
Redexim Holland**

# TABLE OF CONTENTS

<b>USER MANUAL AND PARTS BOOK .....</b>	<b>1</b>
<b>WARRANTY CONDITIONS .....</b>	<b>2</b>
<b>REGISTRATION CARD .....</b>	<b>2</b>
<b>!SAFETY INSTRUCTIONS! .....</b>	<b>3</b>
<b>EU-DECLARATION .....</b>	<b>7</b>
<b>1.0 TECHNICAL DATA .....</b>	<b>9</b>
<b>2.0 FIRST INSTALLATION – TAKING THE MACHINE OFF THE PALLET.....</b>	<b>10</b>
<b>3.0 THE POWER TAKE-OFF (PTO) .....</b>	<b>11</b>
<b>3.1 LENGTH OF THE PTO.....</b>	<b>11</b>
<b>3.2 USE OF THE PTO.....</b>	<b>12</b>
<b>4.0 ATTACHING THE MACHINE TO THE TRACTOR .....</b>	<b>12</b>
<b>5.0 ADJUSTING THE FORCEFULNESS OF THE MACHINE .....</b>	<b>13</b>
<b>6.0 TRANSPORTING THE EXTREME CLEAN II .....</b>	<b>13</b>
<b>7.0 DRIVING SPEED.....</b>	<b>13</b>
<b>8.0 OPERATING THE EXTREME CLEAN II.....</b>	<b>13</b>
<b>9.0 START/STOP PROCEDURE .....</b>	<b>14</b>
<b>10.0 DETACHING THE EXTREME CLEAN II.....</b>	<b>15</b>
<b>11.0 TROUBLE SHOOTING (PROBLEM ANALYSIS).....</b>	<b>16</b>
<b>12.0 MAINTENANCE .....</b>	<b>16</b>
<b>12.1 GREASE POINTS .....</b>	<b>17</b>
<b>13.0 ADJUSTING THE TENSION OF CHAINS .....</b>	<b>18</b>
<b>14.0 ROTATING THE GEARBOX.....</b>	<b>19</b>



## 1.0 TECHNICAL DATA

<u>Model</u>	<u>1200</u>	<u>1800</u>
Working width	1.20 m (47")	1.80 m (71")
Working depth	Adjustable	Adjustable
Speed	Maximum 12 km/h (7.5 mph)	Maximum 12 km/h (7.5 mph)
Weight	242 Kg (534 lbs)	317 Kg (699 lbs)
Recommended tractor	18 HP	18 HP
Minimum lift capacity of the tractor (24") from the lifting balls	250 kg (441 lbs)	350 kg (551 lbs)
Maximum capacity (Theoretical at maximum speed of 12 km/h [7.5mph])	9906 m <sup>2</sup> /h (106627 ft <sup>2</sup> /h)	14742 m <sup>2</sup> /h (158681 ft <sup>2</sup> /h)
Transport dimensions	L x W x H 1200 x 1360 x 830mm 47.2" x 53.5" x 32.7"	L x B x H 1200 x 1910 x 830mm 47.2" x 75.2" x 32.7"
Three-point connection	CAT. 1	CAT. 1
Grease	EP 2	EP 2
Gearbox oil	0.5L (0.13 Gallon) 80W-90	0.5L (0.13 Gallon) 80W-90
Standard components	Toolbox including a manual. PTO shaft	Toolbox including a manual. PTO shaft

## 2.0 FIRST INSTALLATION – TAKING THE MACHINE OFF THE PALLET

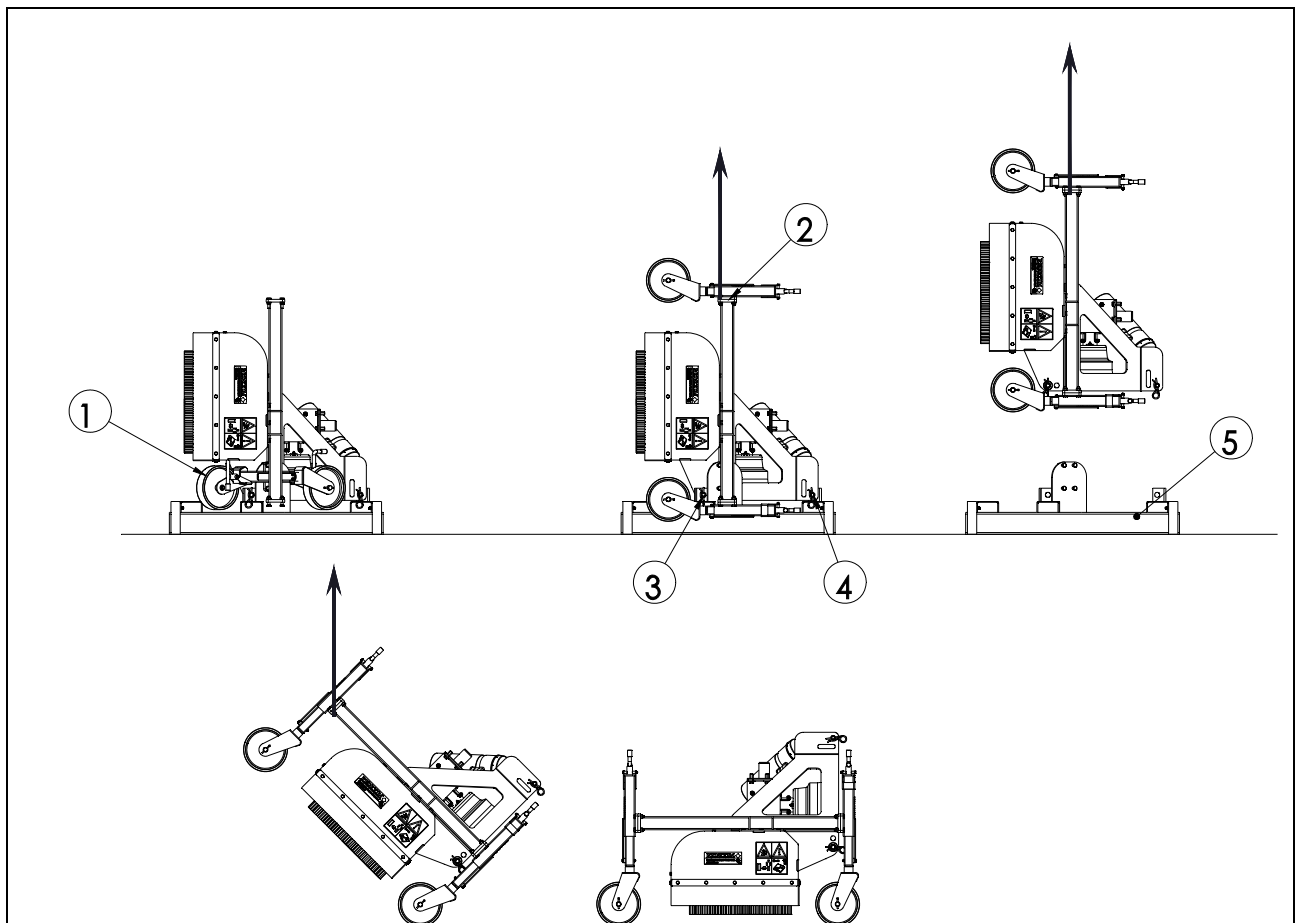


Figure 6

The machine is placed vertically on the pallet. To remove the pallet and to place the machine horizontally on the ground, you take the following steps (see Figure 6):

**⚠!! NEVER CRAWL UNDER THE MACHINE!**

1. Remove the wheels (1) from the pallet and attach them to the machine

**⚠ Make sure that the cable/crane/lift can hoist minimum twice the weight of the machine. (See Chapter 1.0 'Technical Data' for the weight details.)**

2. Attach a cable to the lifting eye (2).
3. Lift the machine approx. 10mm (0.25") and remove pins (3) and (4).
4. Lift the machine including the pallet of approx. 50 mm (2") off the ground.
5. Remove the pallet

**⚠ !! Careful: Keep your distance; the machine can slide!**

6. Lower the machine controlled and calmly until it rotates till it stands completely on the ground.
7. Connect the machine to the tractor (please refer to Chapter 4.0).

**⚠ Use the proper tractor (please refer to the specifications).**

**⚠ Turn off the tractor and secure the tractor/Extreme Clean II combination against driving off and/or sliding off.**

### 3.0 THE POWER TAKE-OFF (PTO)

The PTO is a very important component. It takes care of the drive of the tractor and of a safe use of the machine, provided it is installed and maintained in the correct manner. The PTO has its own CE certification. Read the PTO manual. This manual is located on the PTO.

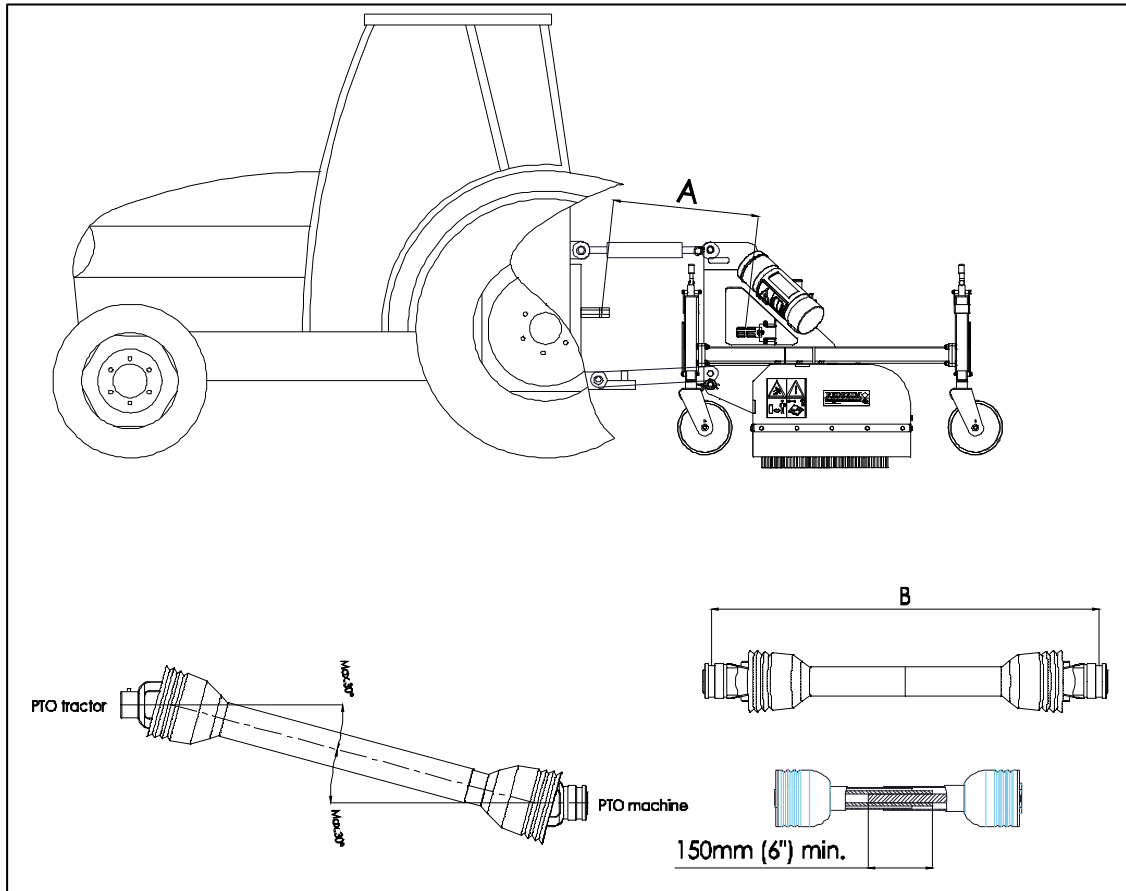


Figure 7

### 3.1 LENGTH OF THE PTO

The length of the PTO is very important. If it is too long, it can damage the drive of the tractor and/or the Extreme Clean II. If the overlapping length of the cylinders becomes less than 150 mm (6") at any time, it can damage the PTO.

**The length changes when the machine is lifted or when a different tractor is used!**

In order to set the PTO on the correct length, when a new one has been purchased or when a different tractor is used, follow these steps: (see Figure 7)

1. Measure the distance between the PTO's connection to the tractor and to the Extreme Clean II, from groove to groove, when the machine is connected to the tractor and positioned on the ground at the right angle.
2. Measure the distance B of the PTO in its shortest position from the locking pin to the locking bolt.
3. Divide the PTO in two parts and remove the protection cap at both ends.
4. The ends of the cylinders and the ends of the protection caps must be made shorter:  $(B-A) + 75$  mm (3").
5. Smooth off all components, use some grease, and then assemble all components.
6. Mount the PTO on the side of the Extreme Clean II.
7. Attach the other end of the PTO to the tractor.
8. Check the overlap of the cylinders.

**⚠ Never use the machine if it has a damaged PTO protection cap. First remove any damaged parts.**

### 3.2 USE OF THE PTO

The following items must be checked for correct use of the PTO:

1. While working the angle of the pivot pins may not exceed 30 degrees.
2. The pivot pins must always be aligned.
3. The overlap of the cylinders must always be minimum 150 mm.
4. Never use the machine if it has a damaged PTO protection cap.
5. For lubrication see section 13.0: Maintenance.

### 4.0 ATTACHING THE MACHINE TO THE TRACTOR

Checking procedure before starting to attach the Extreme Clean II:

- Check the Extreme Clean II for visually discernible damage and repair this if safe operation of the machine is no longer guaranteed.
- Check whether all the nuts and bolts are tight.
- Check whether all safety stickers are present on the machine and are not damaged.

**NEVER** use the machine without these items.

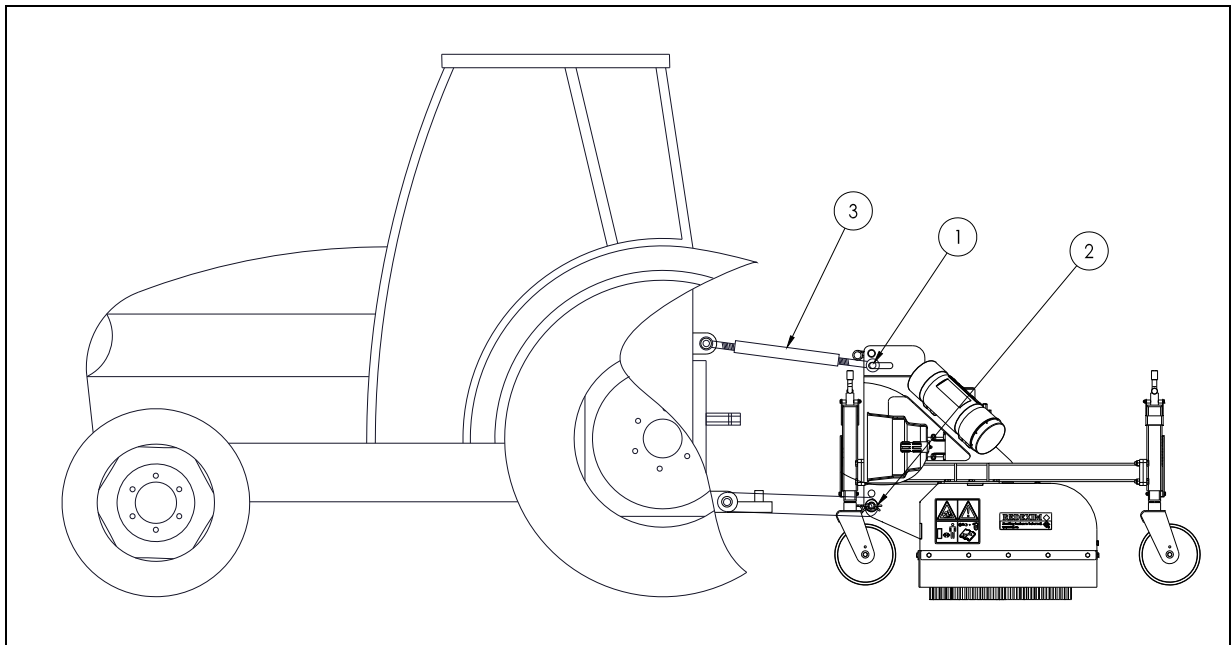


Figure 8

The Extreme Clean II can be attached to the tractor by means of the 3-point attachment.

The procedure is as follows (Figure 8):

1. Remove **the** 3-point pins (1) and locking pins (2).
2. Drive the tractor carefully backwards so that the lower connecting arms can be attached to the frame.

**⚠ !! Make sure that the tractor is blocked well and cannot move on its own accord!**

**⚠ !! Switch off the tractor before descending!**

3. Connect the lower connecting arms to the 3-point pins (2) and secure these with the supplied locking pins.
4. Set the stabilizer of the tractor to 100 mm lateral stroke.
5. Mount the top rod of your tractor and turn it outward until it reaches the same height as the 3-point stop connection of the Extreme Clean II.

6. Connect the top rod (3) to the frame with **the** pin (1); secure **the** pin (1) with the supplied locking pin.
7. Turn the top rod (3) inwards so that it becomes pressurized.

 **!! Make sure that all the securing pins are locked!**

8. Start the tractor and lift the Extreme Clean II off the ground.

## 5.0 ADJUSTING THE FORCEFULNESS OF THE MACHINE

The forcefulness can be adjusted by changing the working depth: (See Figure 7)

The working depth can be adjusted by turning the handle. Set both sides of the machine at the same height so that it is possible to treat the field as evenly as possible.

**NEVER adjust the machine** in such a way that it could damage the subsoil or the machine.


 **IMPORTANT!** First check the working depth on the subsoil statically *before* using the machine!

## 6.0 TRANSPORTING THE EXTREME CLEAN II

The user is responsible for transporting the Extreme Clean II in back of the tractor on public roads. Verify the national legislation regarding the regulations.

On open fields while the machine is raised, the maximum permitted speed is 12 km/h (7.5 mph) due to the weight of the Extreme Clean II.

A higher speed can be dangerous for the driver and/or the public and can even damage the machine.

 **When the machine is raised off the ground, the front axle of the tractor has to support minimum 20% of its weight.**

## 7.0 DRIVING SPEED

The driving speed is limited to 12 km/h (7.5mph).

It is NOT recommended to drive faster due to the fact that excessive wear & tear and damage can occur to the machine and to the subsoil.

## 8.0 OPERATING THE EXTREME CLEAN II

Before using the Extreme Clean II in a location, you should check the following items:


1. Are there loose objects in the field? First remove these objects.
2. Are there slopes? The maximum slope is 20 degrees for this machine.
3. Is there danger of flying objects (e.g., balls) that distract the attention of the driver? If so, the Extreme Clean II **CANNOT** be used.
4. Is there danger of sinking/sliding away? If so, postpone the processing until conditions improve.
5. A field can be worked several times in the same or different directions in order to obtain better processing.
6. Do not make sharp bends and preferably, drive in straight lines; otherwise you might damage the machine and the subsoil.
7. Do not adjust the machine to work forcefully; this might result in damaging the subsoil and additional wear and tear of the brushes.

## 9.0 START/STOP PROCEDURE

The start procedure is **VERY** important. If this procedure is not executed as described below, it might result in serious damage to the subsoil.

The start procedure is as follows:

1. Check the Extreme Clean II for loose components and look whether all components function properly.

 **!! If loose components are observed or components do not function properly, the problems must be solved *before* using the Extreme Clean II!**

2. Drive to the spot where the processing should take place.

 **!! Make sure that the tractor is blocked well and cannot move on its own accord!**  
**!! Switch off the tractor before descending!**



3. Allow the machine to sink until it is standing with the wheels on the ground.
4. Adjust the forcefulness as discussed in chapter 5.
5. Adjust the tractor engine to around 1200 rpm.
6. Connect/mount the PTO and increase the PTO revs to the maximum permitted level.
7. Engage the tractor in the correct gear.
8. Shift the tractor to a forward movement and adjust the speed to the maximum of 12 km/h (7.5 mph).

Stopping occurs as follows:

1. Let the tractor come to a standstill.
2. Decrease the engine revs to 1200 rpm.
3. Disconnect the PTO.
4. Lift the machine.
5. Drive to the next location and start the operation as described above.

## 10.0 DETACHING THE EXTREME CLEAN II

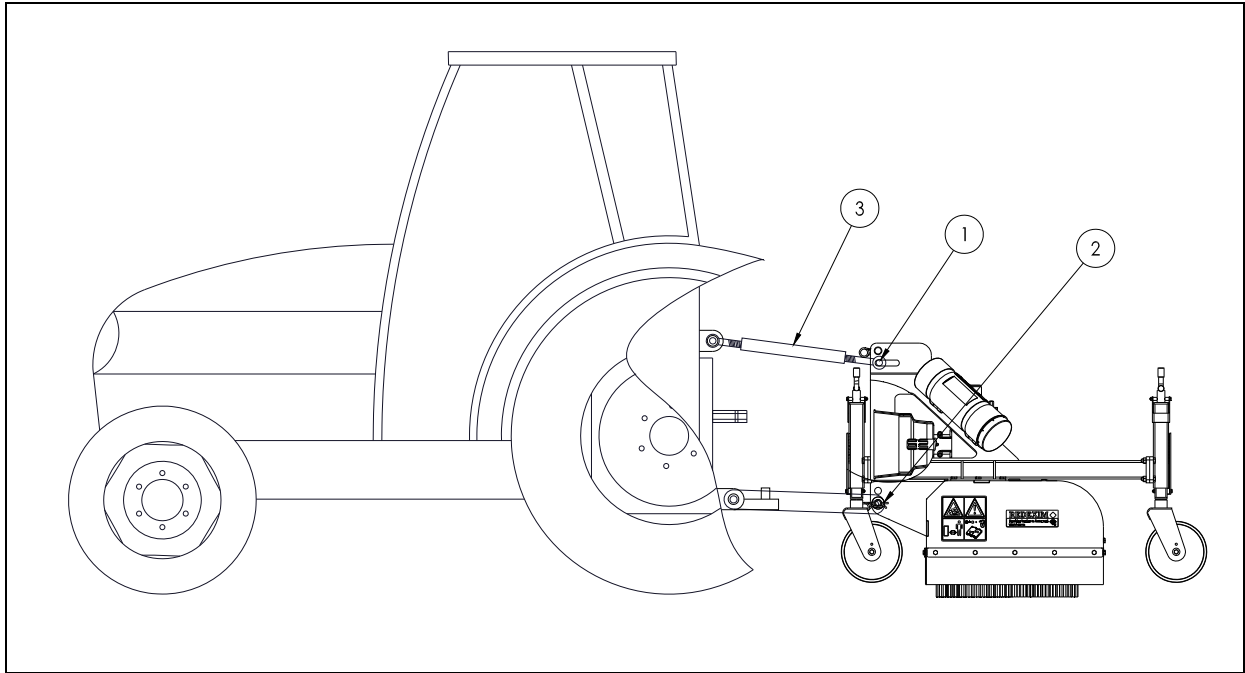


Figure 9

The machine can be detached from the tractor in the following manner (See Figure 9):

1. Drive the Extreme Clean II to a parking area with a firm/flat surface.

**⚠ !! Make sure that the tractor is blocked well and cannot move on its own accord!**  
**⚠ !! Switch off the tractor before descending!**

2. Carefully lower the Extreme Clean II to the ground.
3. Adjust the height so that the machine is standing only on its wheels and not on the brush hairs.
4. Release the top rod (3).
5. Take the locking pin out of the pin (1) and pull the pin out of the top rod connection.
6. Pull the locking pins out of the pins (2) and remove the levers.

**⚠ !! Make sure that the Extreme Clean II stands stable and cannot roll away and/or slide off!**

7. Start the tractor and drive off.

## 11.0 TROUBLE SHOOTING (PROBLEM ANALYSIS)

<b>Problem</b>	<b>Possible cause</b>	<b>Solution</b>
Too little decompaction	<ul style="list-style-type: none"> <li>- Working depth is adjusted too shallow</li> <li>- Subsoil is too hard</li> </ul>	<ul style="list-style-type: none"> <li>- Adjust the machine to more depth</li> <li>- Drive slower</li> <li>- Adjust the working depth to less depth and continue to work again.</li> </ul>
Brushes not turning more	<ul style="list-style-type: none"> <li>- Drive is faulty</li> </ul>	<ul style="list-style-type: none"> <li>- Check the driveline</li> </ul>
Creaking noises while in operation of the machine.	<ul style="list-style-type: none"> <li>- Bearings need lubrication /are worn out.</li> </ul>	<ul style="list-style-type: none"> <li>- Lubricate the bearings with EP2 grease/replace the bearings.</li> </ul>
Chains shooting over the sprockets.	<ul style="list-style-type: none"> <li>- The chains tension is not correct.</li> <li>- Chains/sprockets are worn out.</li> </ul>	<ul style="list-style-type: none"> <li>- Adjust the chain tension</li> <li>- Replace the chains/sprockets.</li> </ul>

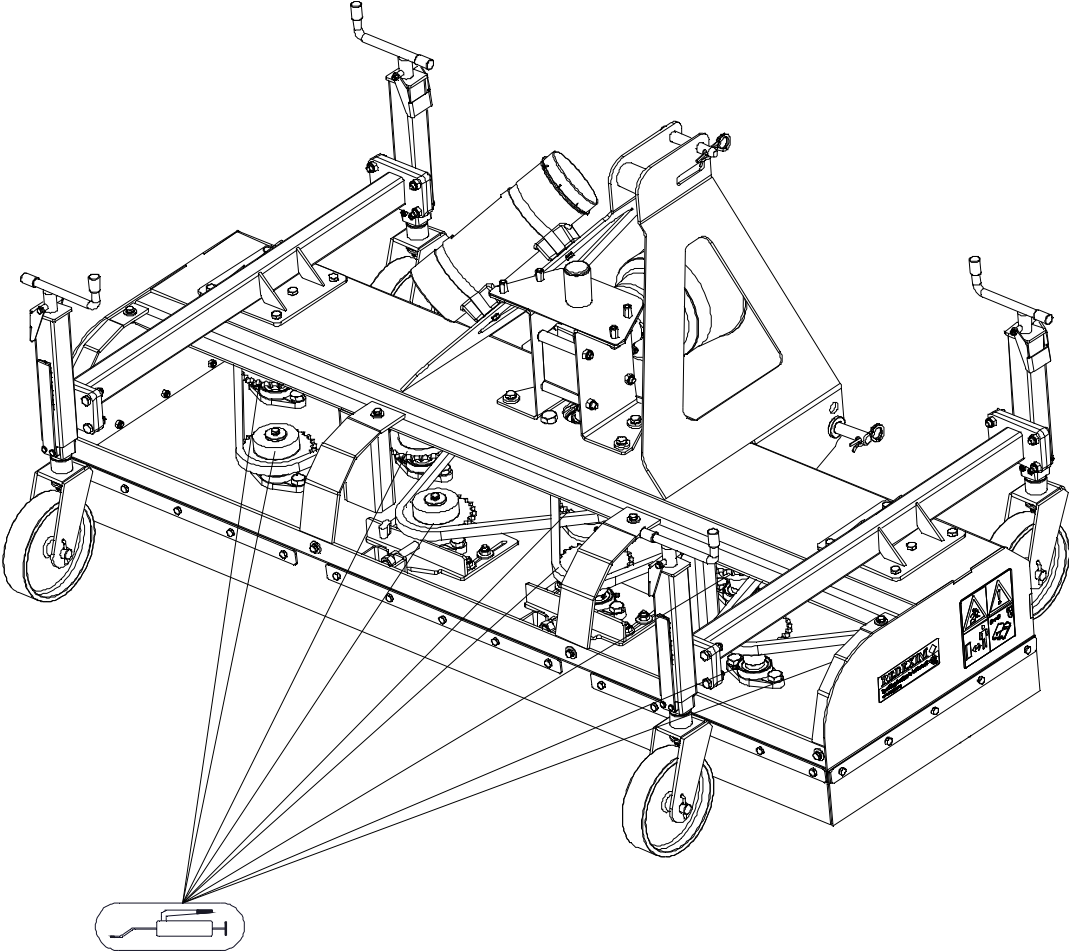
## 12.0 MAINTENANCE

<b>Time schedule</b>	<b>Check/Grease point</b>	<b>Method</b>
Before <b>every</b> use	Check for loose bolts/nuts  Presence and readability of the safety stickers (Please refer to Figure 5)	Tighten loose bolts/nuts with the correct tightening moment  Replace these if not present or damaged
After <b>every</b> 20 working hours	Chain tension	Adjust tension if needed
After <b>every</b> 50 working hours or annually	Grease the bearings  Grease the chain	Use EP2 grease  Silicone spray
After <b>every</b> 500 working hours	Change the oil of the gearbox  Check Gearbox	0.5L (0.13 Gallon) 80W-90  Inspect all parts and replace or rear parts if needed.



# 12.1 Grease points

Grease all bearings



## 13.0 ADJUSTING THE TENSION OF CHAINS

The Extreme Clean II is standard equipped with adjustable chain wheels. Depending on the intensity of using the machine, the driveline could be affected by wear and tear. The chain should then be tightened.

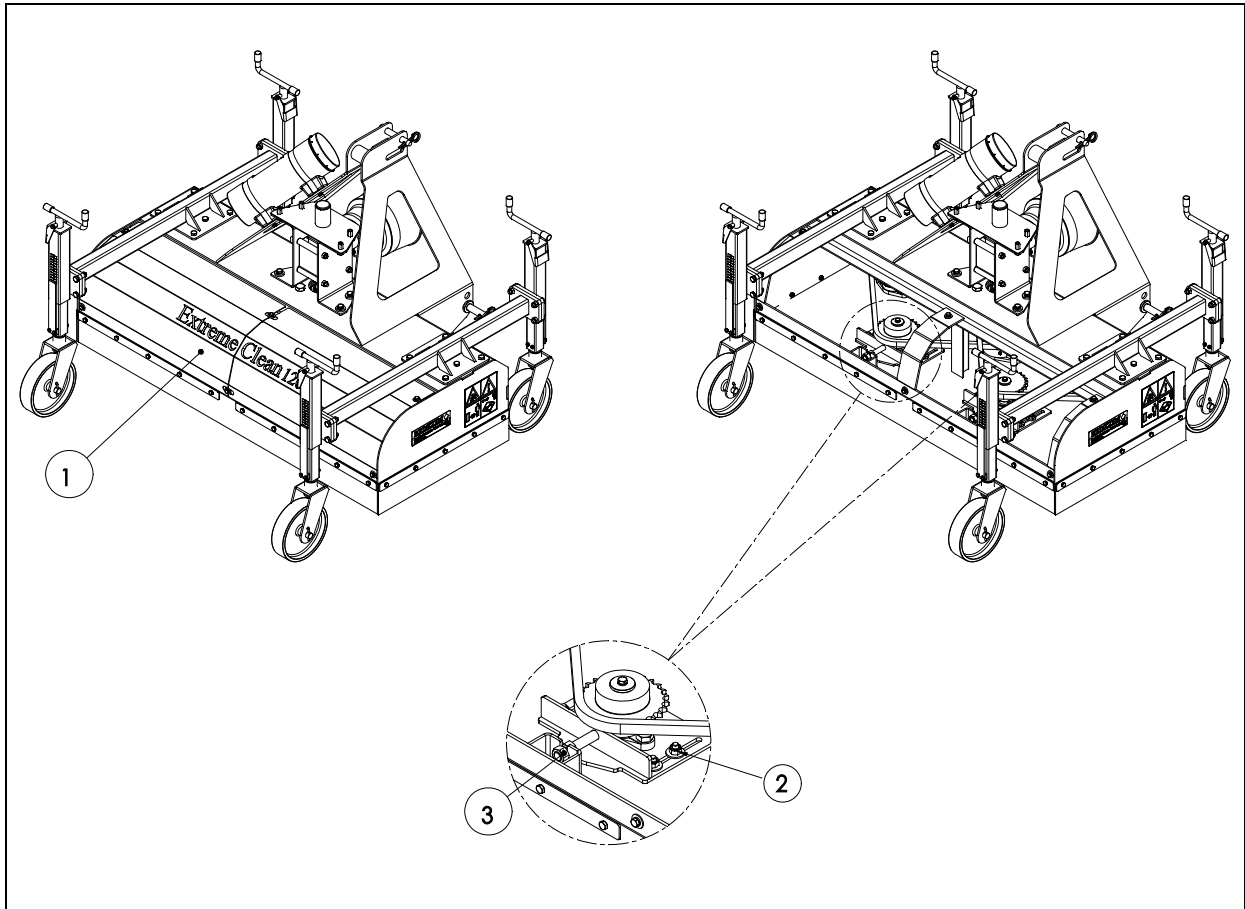


Fig. 10

Adjustment is carried out as follows:

- ⚠ **!! Make sure that the Turf-Stripper is blocked well and cannot move on its own accord !!**
- ⚠ **!! Make sure that the PTO is detached from the Turf-Stripper !!**

1. Remove the safety guard (1).
2. Check the tension of the chain. The stretch should be 5 mm (0.2").
3. When the tension isn't correct. The tension should be adjusted.
4. Loosen the lock nut (2).
5. Adjust the nut (3) and use it to adjust the tension of the chain.
6. Tighten the lock nut (2).
7. Put the safety guard back in its place.

## 14.0 ROTATING THE GEARBOX

Over time the bristles will put itself in one direction. The work image will appear less. It is then possible to change the direction of rotation of the brushes by turning the gearbox .

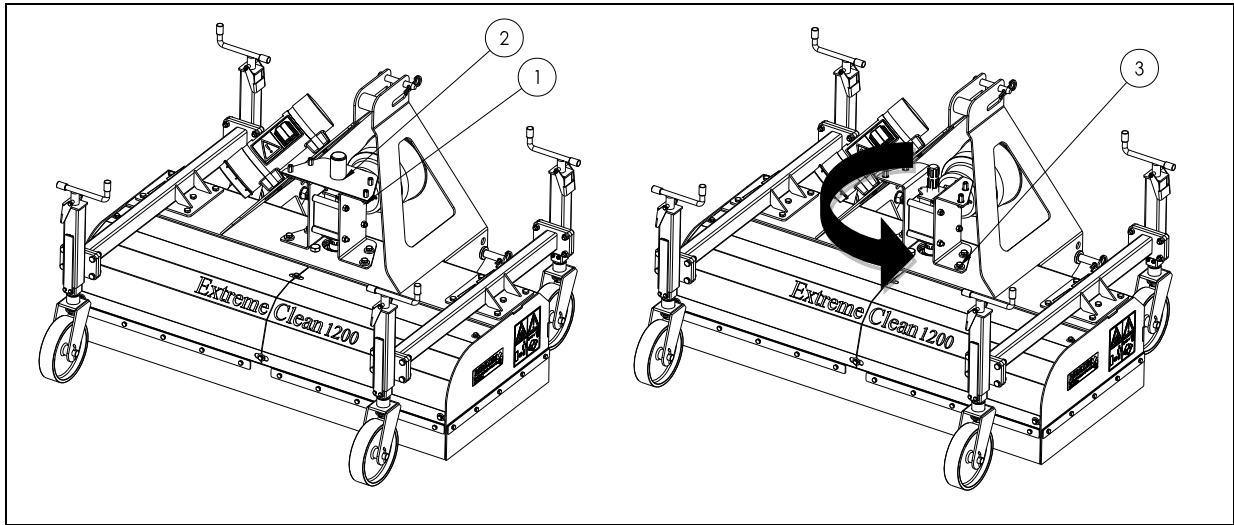


Fig. 11

- ⚠ !! Make sure that the tractor is blocked well and cannot move on its own accord!
- ⚠ !! Switch off the tractor before descending!

1. Remove the bolts (1) for the safety cover (2).
2. Remove the safety cover (2).
3. Remove the bolts (3) from the gearbox.
4. Rotated the gearbox 180 degrees.
5. Put the safety guard back in its place and fix the bolts (1).

The brushes of the Extreme Clean II now rotated the other way.