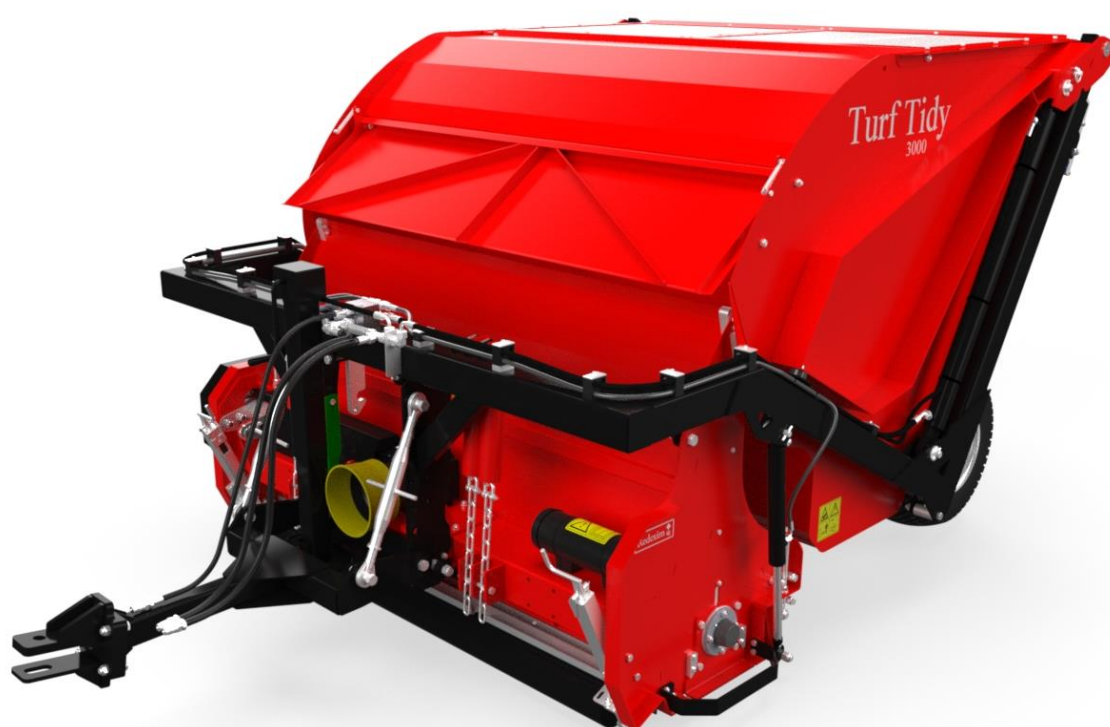
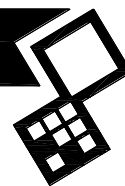


# ***TURF TIDY 2300 & 3000***

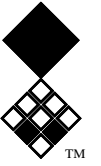


Version: 2409



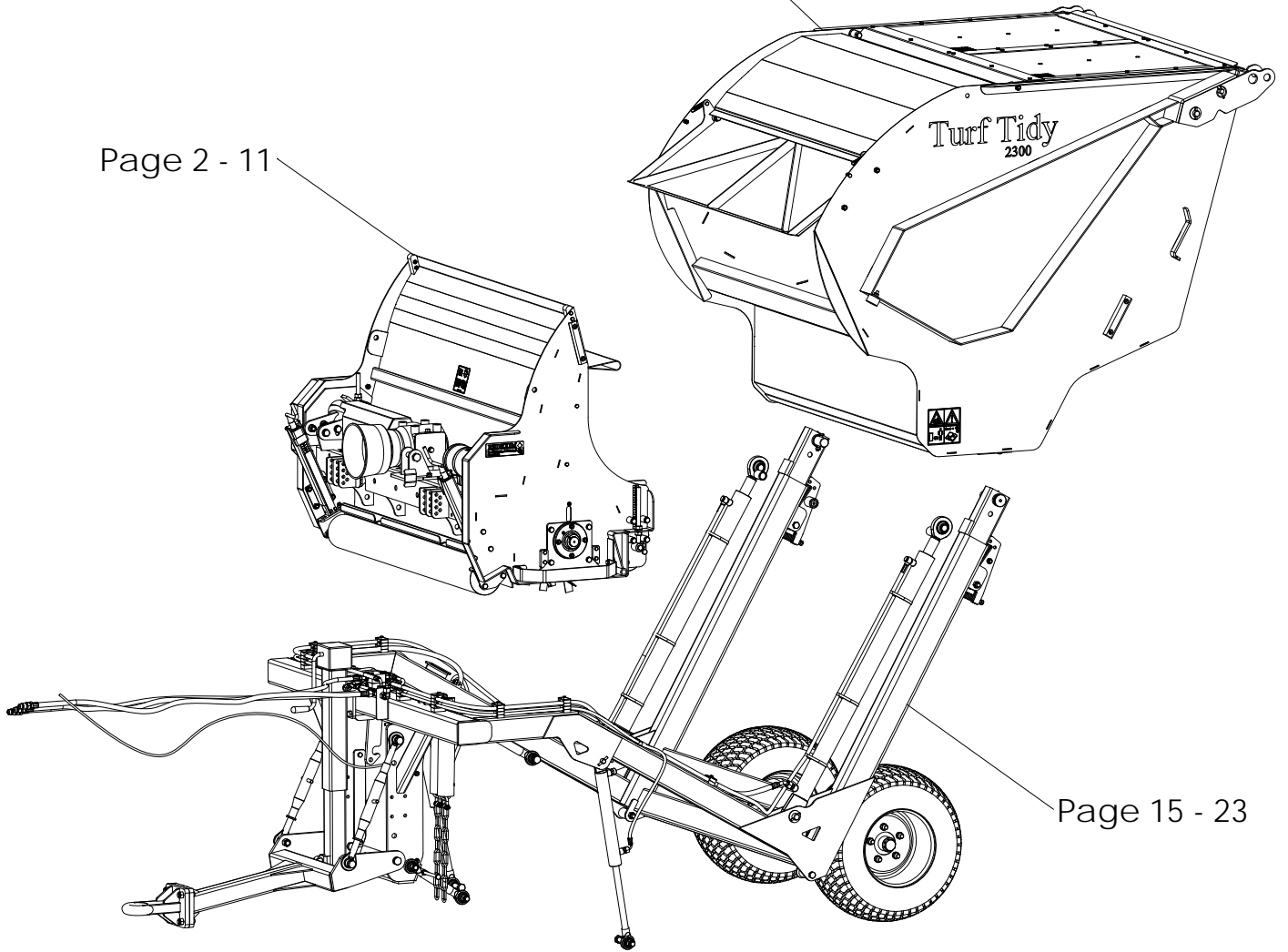
Kwekerijweg 8 | 3709JA | Zeist | The Netherlands |  
T: +31 (0)306 933 227  
E: [redexim@redexim.com](mailto:redexim@redexim.com)  
W: [www.redexim.com](http://www.redexim.com)





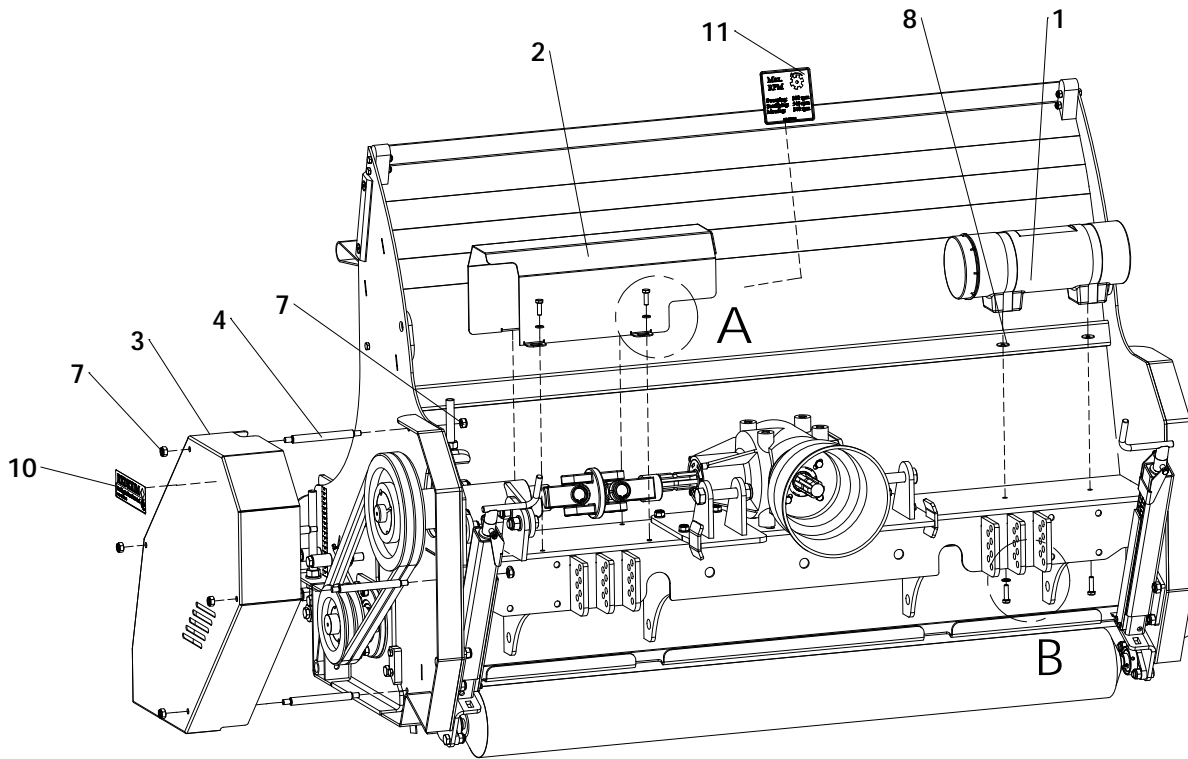
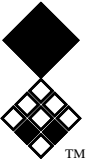
Page 12 - 14

Page 2 - 11



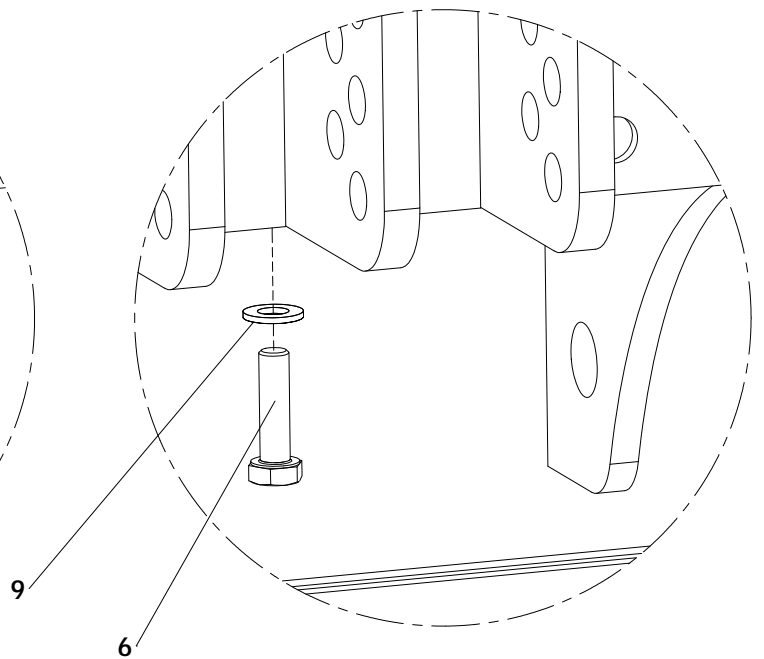
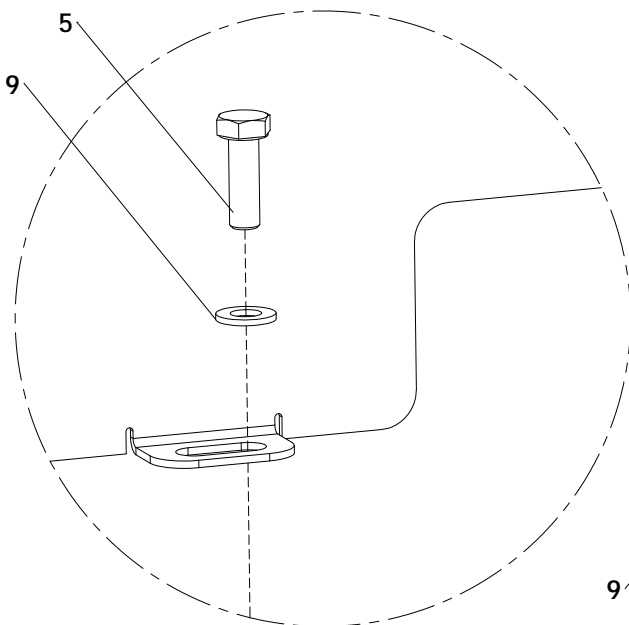
Page 15 - 23

Headunit	page 2 - 11
Hopper	page 12 - 14
Frame	page 15 - 23
Hydraulics	page 24 - 25
Options	page 26 - 28
PTO	page 29

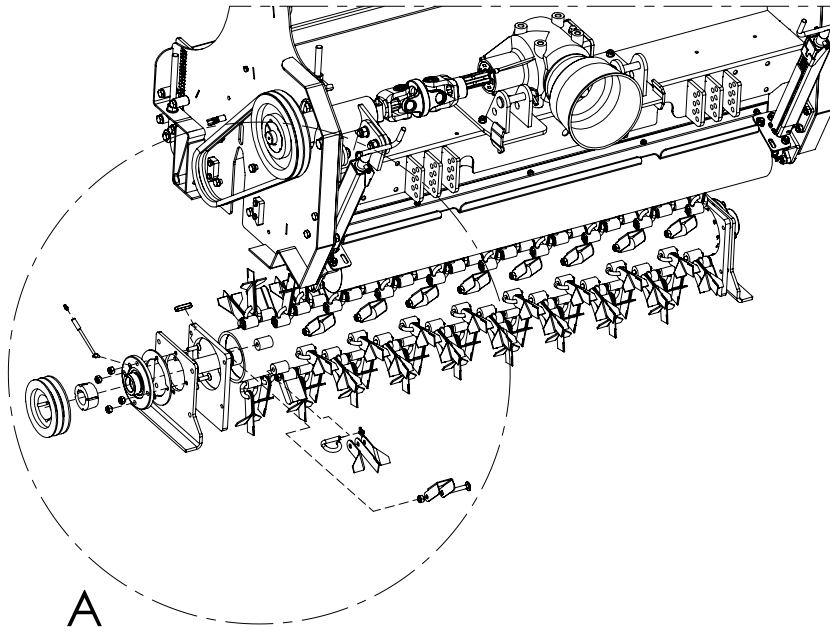


DETAIL A

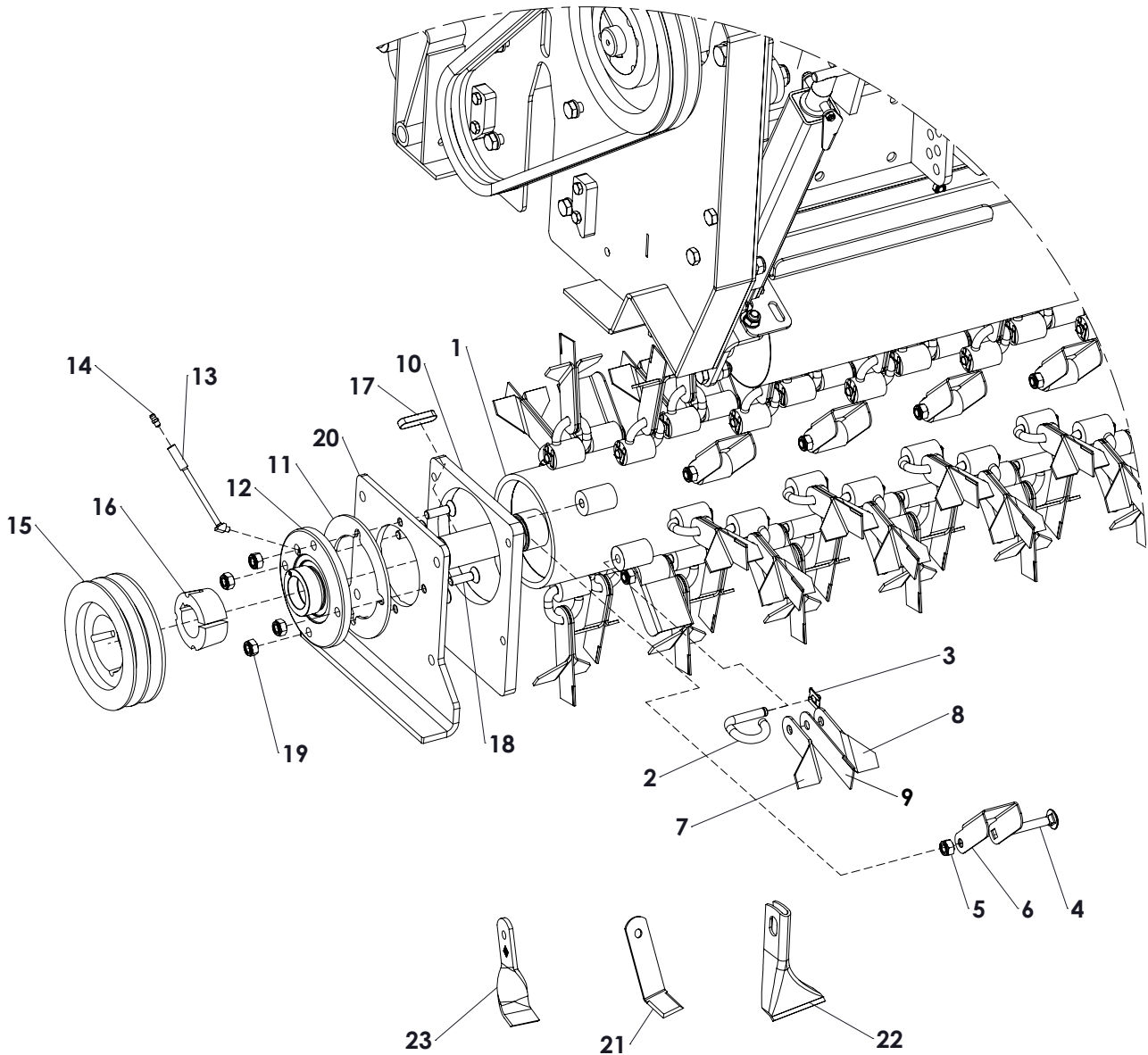
DETAIL B



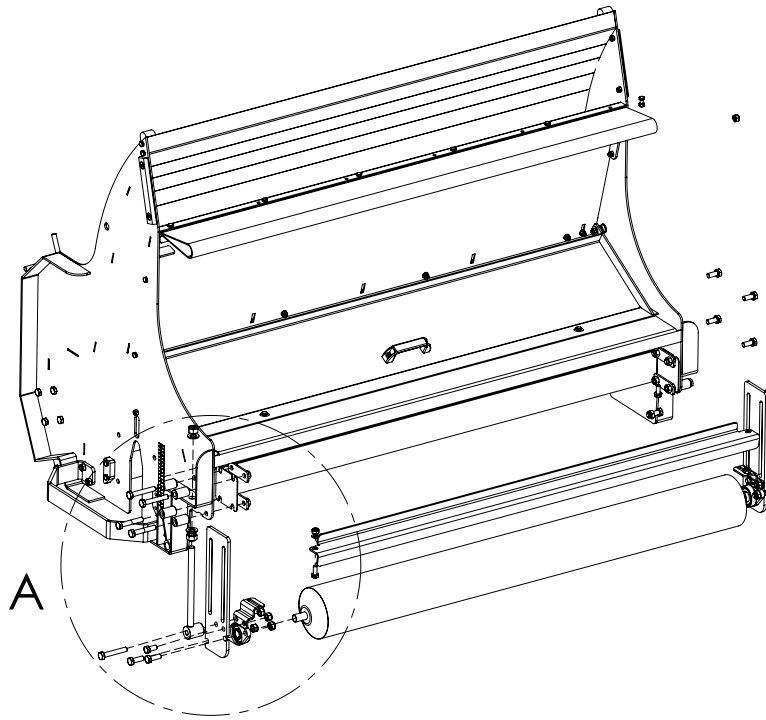
ITEM	PART NUMBER	DESCRIPTION	REMARKS	QUA TT3000	QUA TT2300
1	444.803.100	Toolbox Complete		1	1
2	456.018.048	Cover drive shaft	TT2300	0	1
	456.018.068	Cover drive shaft	TT3000	1	0
3	468.026.300	Cover belts		1	1
4	472.101.600	Stud L=160		4	4
5	804.080.250	Bolt M8 x 25 - ISO 4017		4	4
6	804.080.300	Bolt M8 x 30 - ISO 4017		2	2
7	830.100.100	Self Lock Nut M10 - ISO 10511		8	8
8	864.140.031	Large washer M14 - DIN 9021		2	2
9	864.080.030	Washer M8 - ISO 7089		6	6
10	900.260.403	Logo Label		2	2
11	941.280.000	RPM label TT		1	1



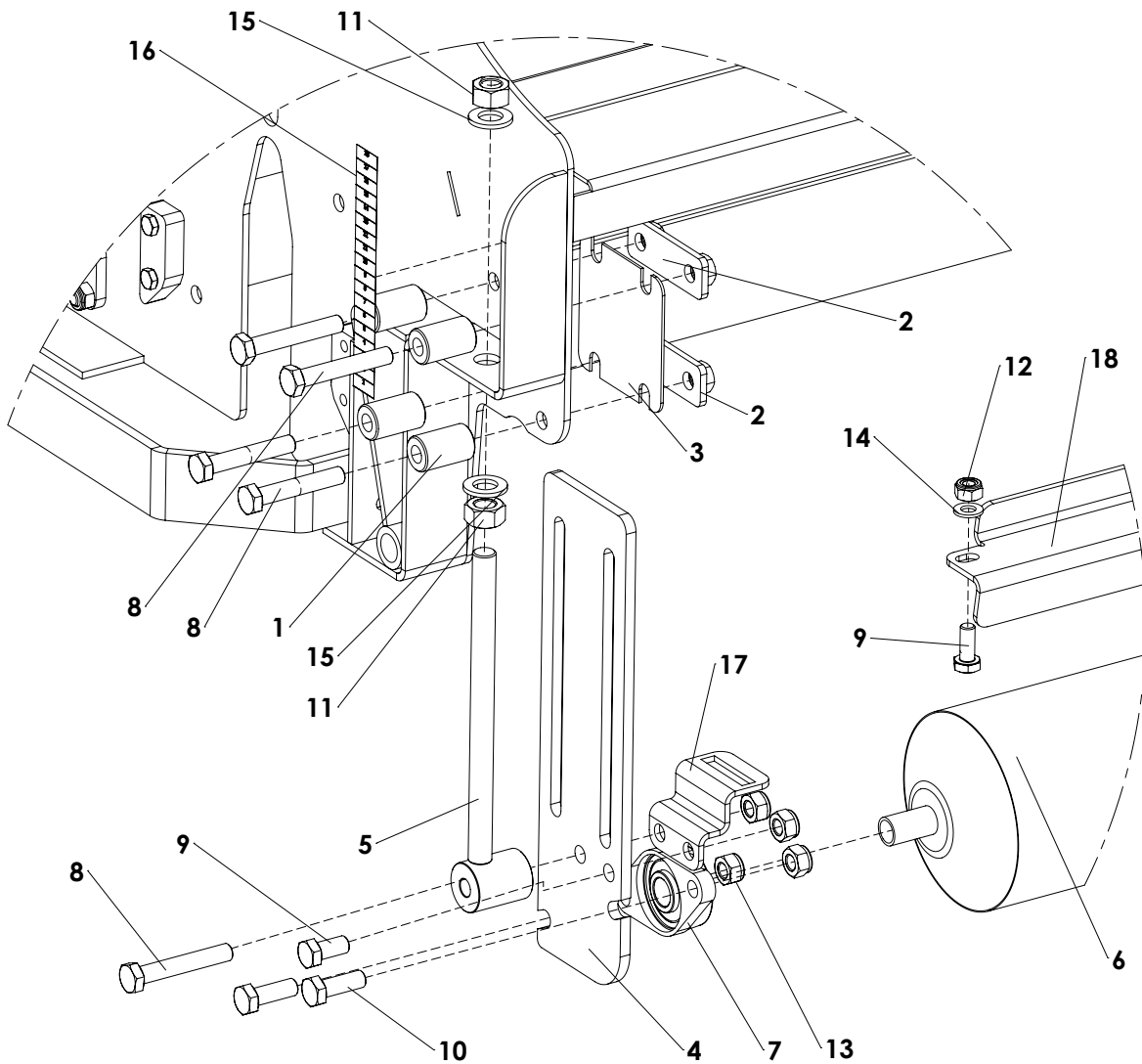
DETAIL A



ITEM	PART NUMBER	DESCRIPTION	REMARKS	QUA TT3000	QUA TT2300
1	488.199.166	S&F Rotor	TT2300	0	1
	488.199.205	S&F Rotor	TT3000	1	0
2	472.100.610	Blade hook		90	70
3	25000-080	H-Quick connector		90	70
4	820.100.600	MH Bolt M10 x 60 ISO 8677		46	36
5	830.100.100	Self Lock Nut M10 - ISO 10511		46	36
6	341.302.090	Wind Vane		46	36
7	341.303.099	Wind paddle left		90	70
8	341.303.098	Wind paddle right		90	70
9	341.302.124	Scarify blade 2mm carbide tip	Standard	90	70
	341.302.122	Scarify blade 2mm	Optional	90	70
10	468.152.350	Bearing mounting plate		2	2
11	468.041.505	Spacer bearing		2	2
12	741.400.430	Bearing PME40-N		2	2
13	478.061.200	Extention tube grease nipple		1	1
14	880.060.100	Grease nipple M6 DIN 71412A		2	2
15	646.021.502	Pulley SPB 150-2 T2012		1	1
16	648.402.012	Taperlock 2012 - 40mm		1	1
17	884.120.500	Key 12x8x50 - DIN 6885		1	1
18	816.100.350	Bolt M10 x 35 - DIN 7991		8	8
19	830.100.100	Self Lock Nut M10 - ISO 10511		8	8
20	468.082.805	Rotor bearing plate		2	2
21	341.302.120	Back to back flail blade	Optional	180	140
22	341.305.122	Flailblade	Optional	180	140
23	341.305.120	Flailblade	Optional	180	140

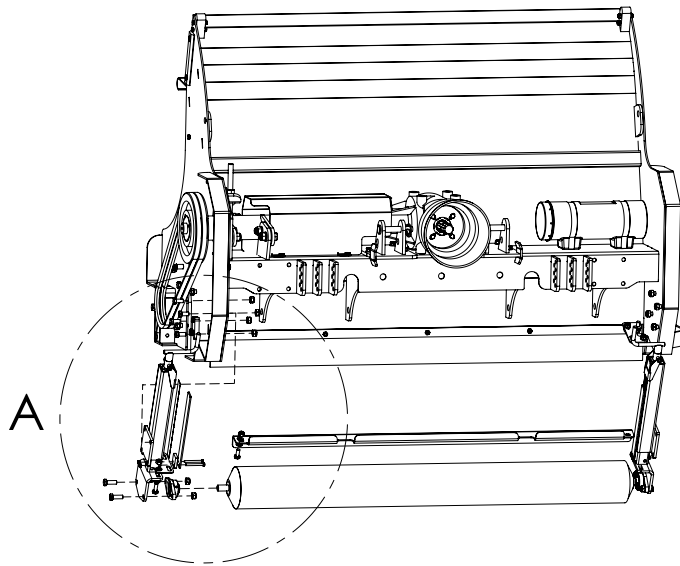
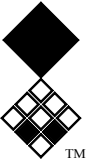


### DETAIL A

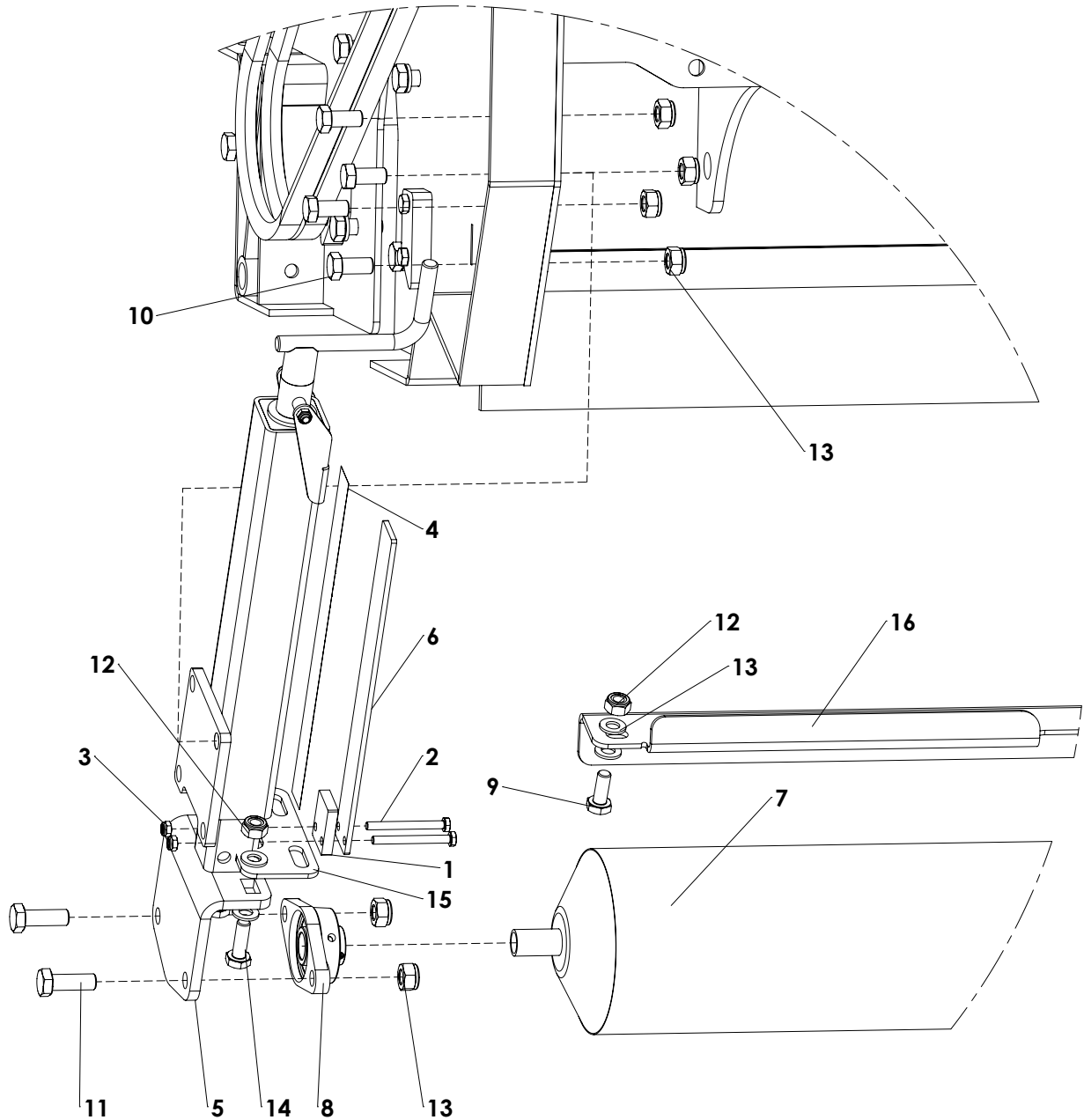




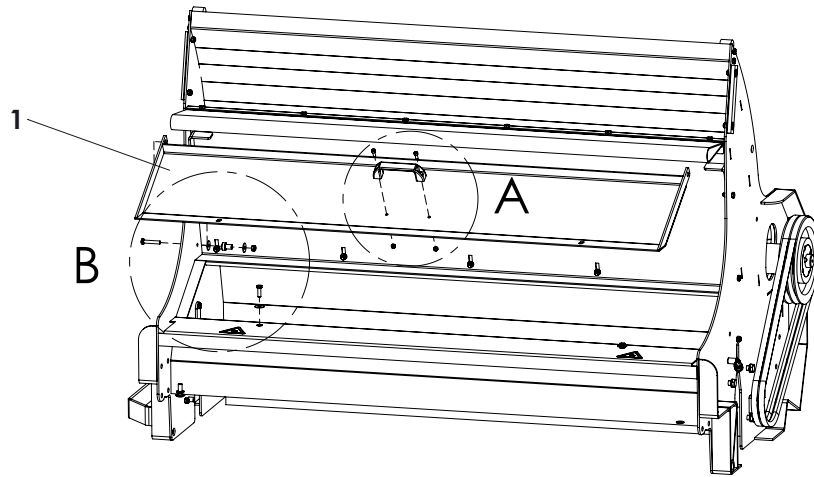
ITEM	PART NUMBER	DESCRIPTION	REMARKS	QUA TT3000	QUA TT2300
1	406.130.400	Distance bush Ø25/Ø12.5 L=40		8	8
2	466.150.900	Lock Clamp Plate		4	4
3	468.021.002	Slide back plate		2	2
4	468.083.550	Roller guide		2	2
5	474.442.350	Height adj spindle		2	2
6	488.140.144	Roller Ø140 L=1400 LW	TT2300	0	1
	488.180.144	Roller Ø140 L=1800 LW	TT3000	1	0
7	742.200.330	Bearing UCFL 204		2	2
8	802.120.750	Bolt M12 x 75 - ISO 4014		10	10
9	804.120.250	Bolt M12 x 25 - ISO 4017		2	2
10	804.120.350	Bolt M12 x 35 - ISO 4017		4	4
11	826.160.160	Nut M16 - DIN 934		4	4
12	830.100.100	Self Lock Nut M10 - ISO 10511		2	2
13	830.120.120	Self Lock Nut M12 - ISO 10511		8	8
14	864.100.030	Washer M10 - ISO 7089			22
15	864.160.030	Washer M16 - ISO 7089		4	4
16	900.260.414	Decall Ruler		2	2
17	468.040.600	Scraper bracket		2	2
18	468.049.144	Scraper	TT2300	0	1
	468.049.184	Scraper	TT3000	1	0



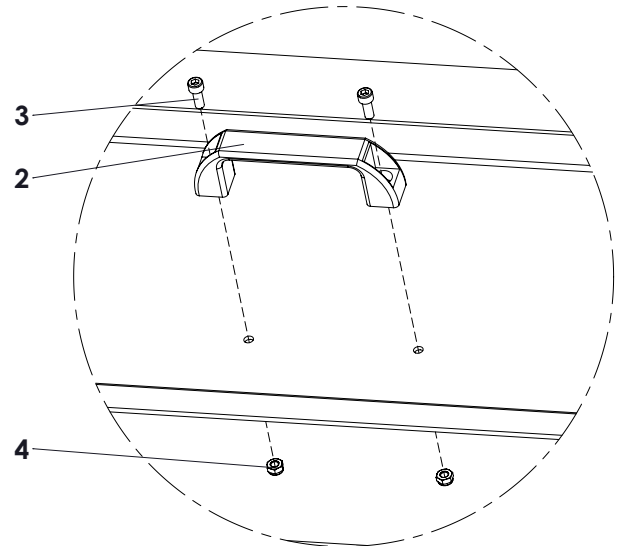
### DETAIL A



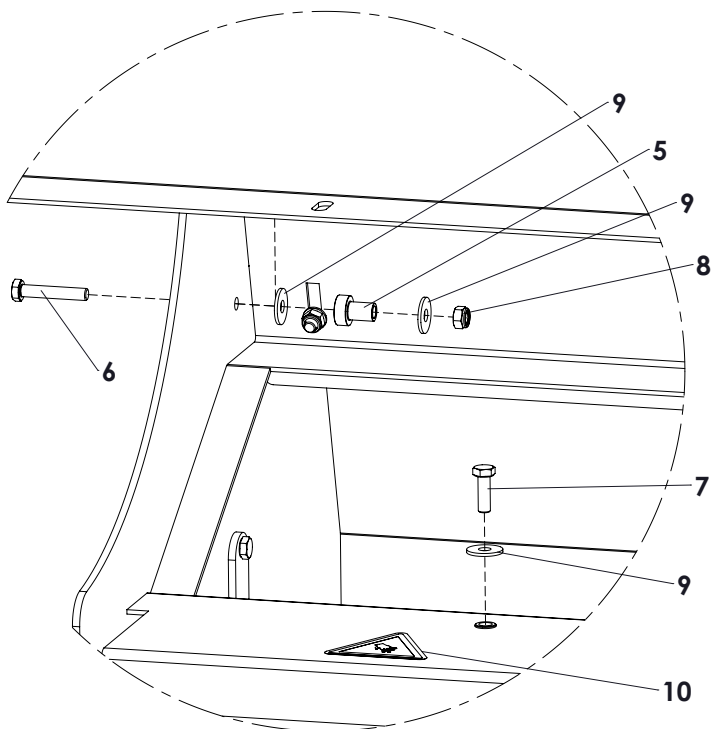
ITEM	PART NUMBER	DESCRIPTION	REMARKS	QUA TT3000	QUA TT2300
1	468.080.402	Distance block		2	2
2	804.060.600	ISO 4017 - M6 x 60-C		4	4
3	830.060.060	Self Lock Nut M6 - ISO 10511		4	4
4	900.260.414	Decall Ruler		2	2
5	460.505.210	Jack Stroke 300mm		2	2
6	464.042.800	Height Indicator Strip, L= 280		1	1
7	488.140.144	Roller Ø140 L=1400 LW	TT2300	0	1
	488.140.186	Roller Ø140 L=1800 LW	TT3000	1	0
8	742.200.330	Bearing UCFL 204		2	2
9	804.100.250	Bolt M10 x 25 - ISO 4017		8	8
10	804.120.250	Bolt M12 x 25 - ISO 4017		8	8
11	804.120.350	Bolt M12 x 35 - ISO 4017		4	4
12	830.100.100	Self Lock Nut M10 - ISO 10511		2	2
13	830.120.120	Self Lock Nut M12 - ISO 10511		12	12
14	804.100.300	Bolt M10 x 30 - ISO 4017		4	4
15	468.041.208	Mounting plate scraper		2	2
16	468.049.145	Scraper	TT2300	0	1
	468.049.186	Scraper	TT3000	1	0



DETAIL A

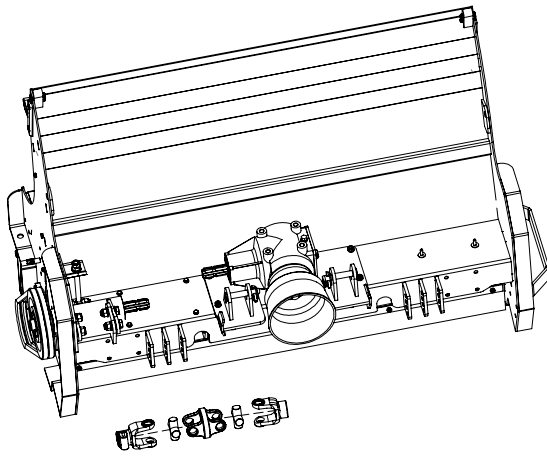


DETAIL B

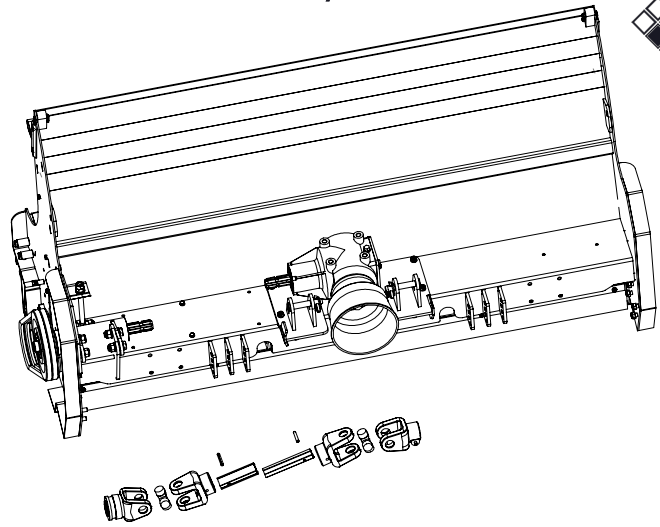


ITEM	PART NUMBER	DESCRIPTION	REMARKS	QUA TT3000	QUA TT2300
1	470.339.145	Inpsection lid	TT2300	0	1
	470.339.187	Inspection lid	TT3000	1	0
2	444.151.250	Handle		1	1
3	814.060.150	Bolt M6 x 16 - DIN 912		2	2
4	830.060.060	Self Lock Nut M6 - ISO 10511		2	2
5	404.120.250	Bush Ø8/Ø12/Ø20 L=25		2	2
6	802.080.450	Bolt M8 x 45 - ISO 4014		2	2
7	804.080.250	Bolt M8 x 25 - ISO 4017		2	2
8	830.080.080	Self Lock Nut M8 - ISO 10511		2	2
9	864.080.024	Large washer M8 - DIN 9021		6	6
10	900.280.404	Decall cut off fingers		2	2

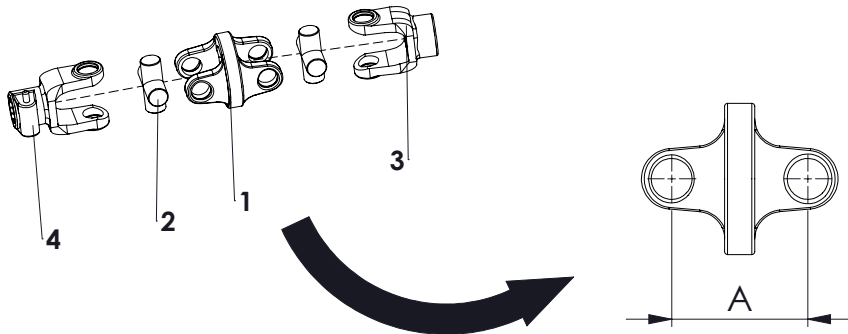
### Turf Tidy 2300



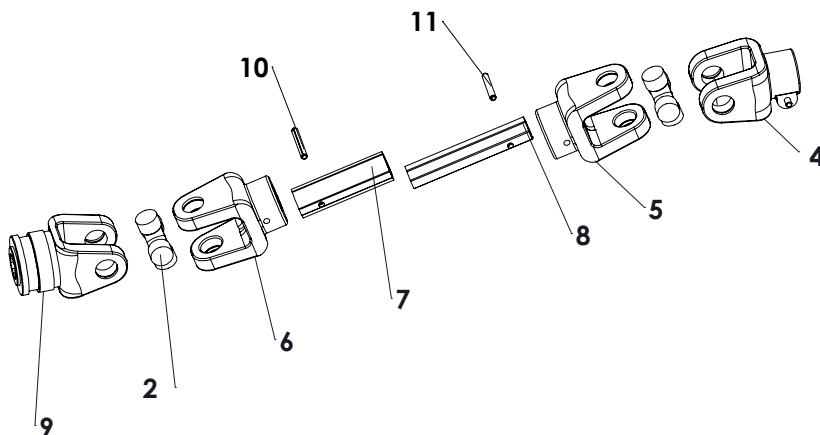
### Turf Tidy 3000



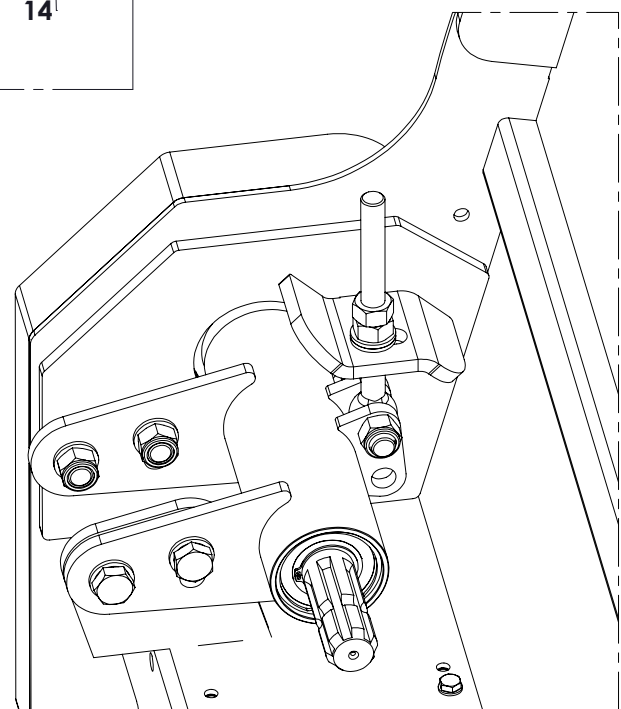
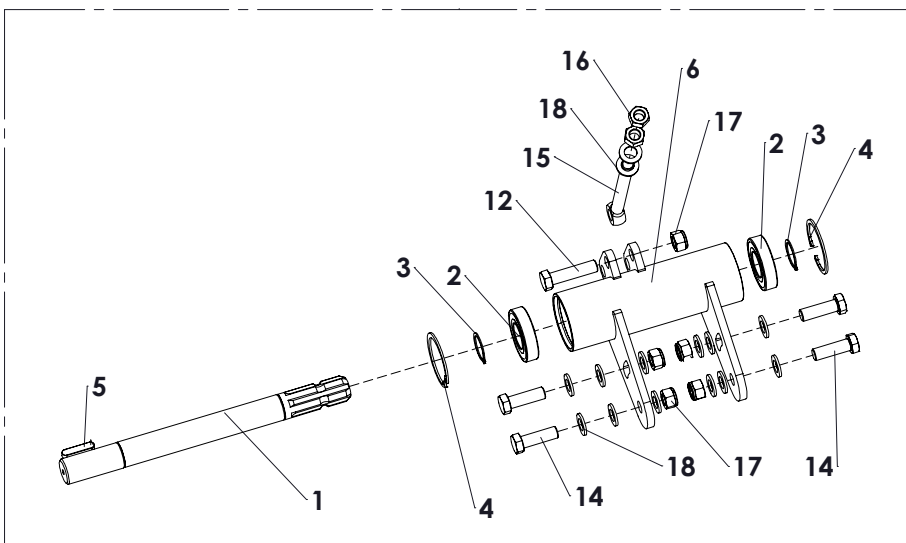
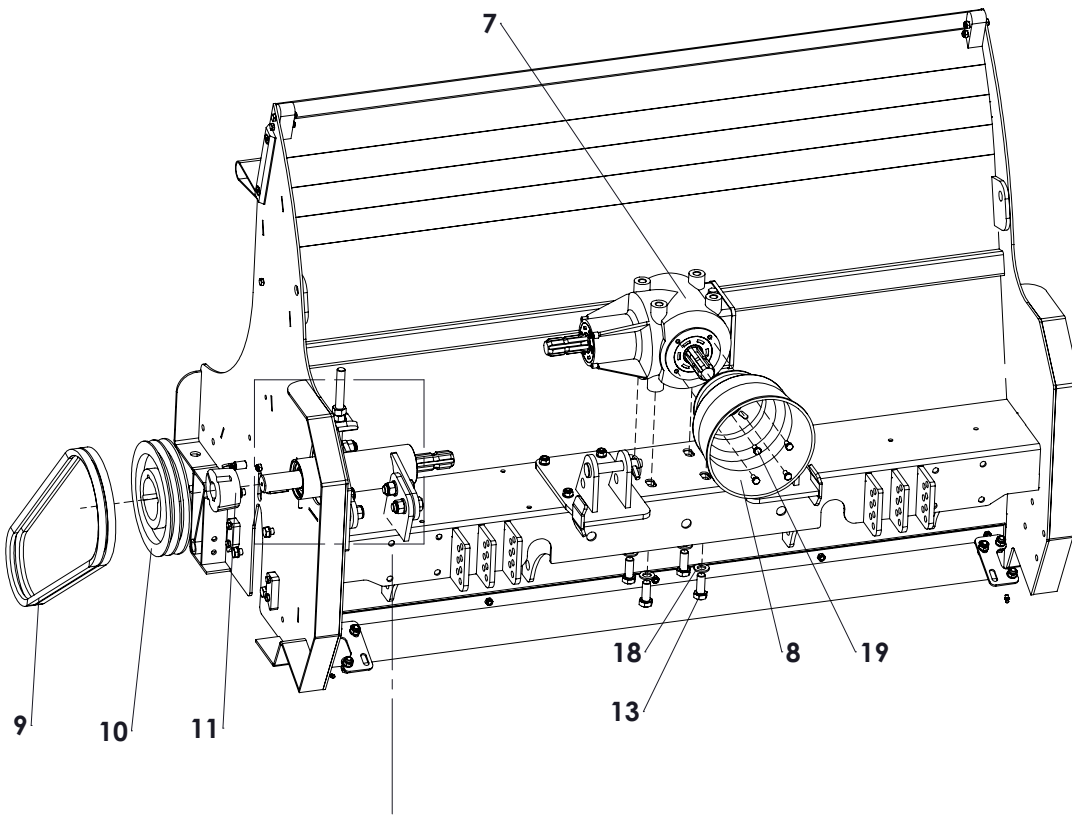
### Turf Tidy 2300



### Turf Tidy 3000



ITEM	PART NUMBER	DESCRIPTION	REMARKS	QUA TT3000	QUA TT2300
1	151014483	Double yoke SH40	Check dimension A=90mm (3.5")	0	1
	141024099	Double yoke SD40	Check dimension A=125mm (4.9")	0	1
2	180014130	Cross and 4x circlip kit		2	2
3	151014057	Splined yoke		0	1
4	141024001	Splined push pin yoke		1	1
5	151014007	Inner tube yoke type 40		1	0
6	151014006	Outer tube yoke type 40		1	0
7	1521402110700	T40-series Outer tube		1	0
8	153140111	T40-series Inner tube		1	0
9	141024430	Complete collar yoke type 40		1	0
10	190000014	Roll Pin 8 x 65		1	0
11	190000012	Roll Pin 8 x 55		1	0



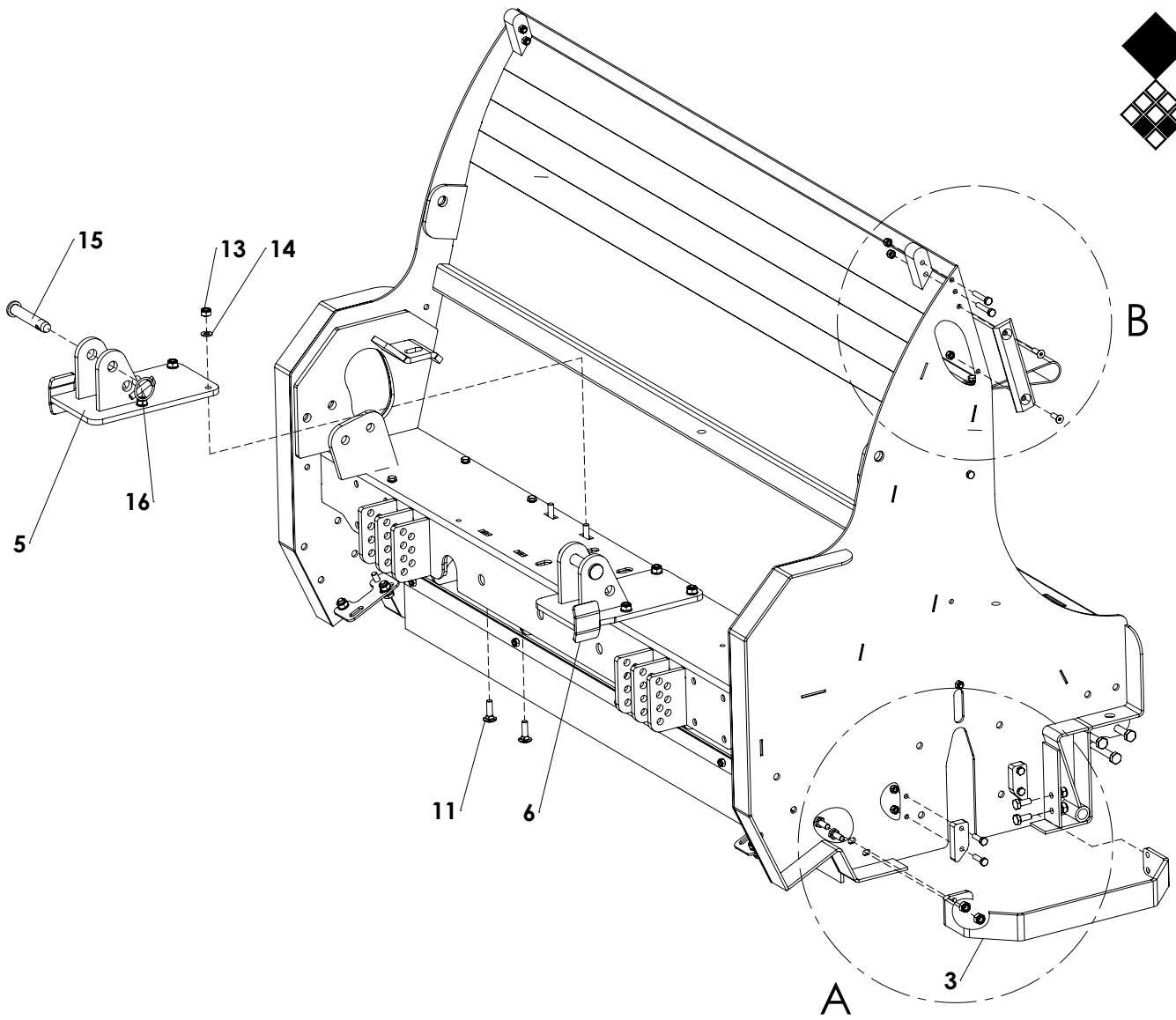
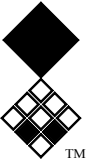
**Oil quantity gearbox:**

Comer T278A:  
SAE 80W90 1.7L (0.45 Gal.)

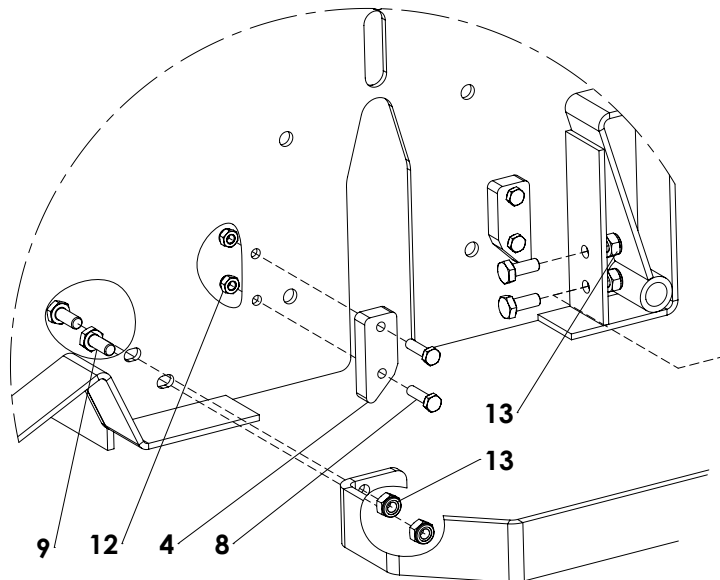
Reduco R240:  
EP 75W-90 - Variasynt 1.5L (0.39 Gal.)



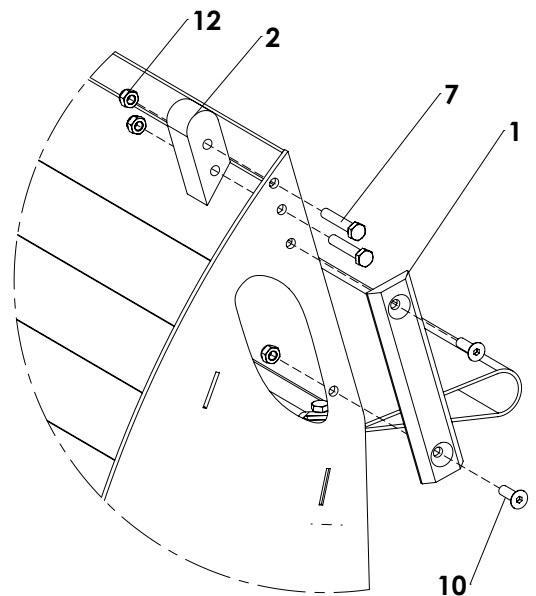
ITEM	PART NUMBER	DESCRIPTION	REMARKS	QUA TT3000	QUA TT2300
1	420.354.000	Splined shaft 1-3/8" Z6 - Ø35h9 L=400		1	1
2	713.350.170	Bearing 6207-2RS		2	2
3	870.035.160	Circlip d=35 - DIN 471		2	2
4	872.072.250	Circlip D=72 - DIN 472		2	2
5	884.100.450	Key 10x8x45 - DIN 6885		1	1
6	478.241.240	Bearing support		1	1
7	622.190.288	Gearbox Comer T-278A	Check brand: Comer	1	1
	622.190.288 RE	Gearbox Reduco R240	Check brand: Reduco	1	1
8	629.210.192	PTO Cover Comer		1	1
9	642.161.450	XPB 1450		2	2
10	646.022.242	Pulley SPB 224-2 T2517		1	1
11	648.352.517	Taperlock 2517 - 35mm		1	1
12	802.160.650	Bolt M16 x 65 - ISO 4014 - 10.9		1	1
13	804.160.400	Bolt M16 x 40 - ISO 4017		4	4
14	804.160.500	Bolt M16 x 50 - ISO 4017		4	4
15	822.161.800	Eye bolt M16x180 Din444 LB (full thread)		1	1
16	826.160.160	Nut M16 - DIN 934		2	2
17	830.160.160	Self Lock Nut M16-ISO 10511 Class 10		5	5
18	864.160.030	Washer M16 - ISO 7089		18	18
19	804.080.160	Bolt M8 x 16 - ISO 4017	Check diameter Ø8mm (0.31")	4	4
	804.100.200	Bolt M10 x 20 - ISO 4017	Check diameter Ø10mm (0.39")	4	4
	864.100.031	Large washer M10 - Din 9021		4	4



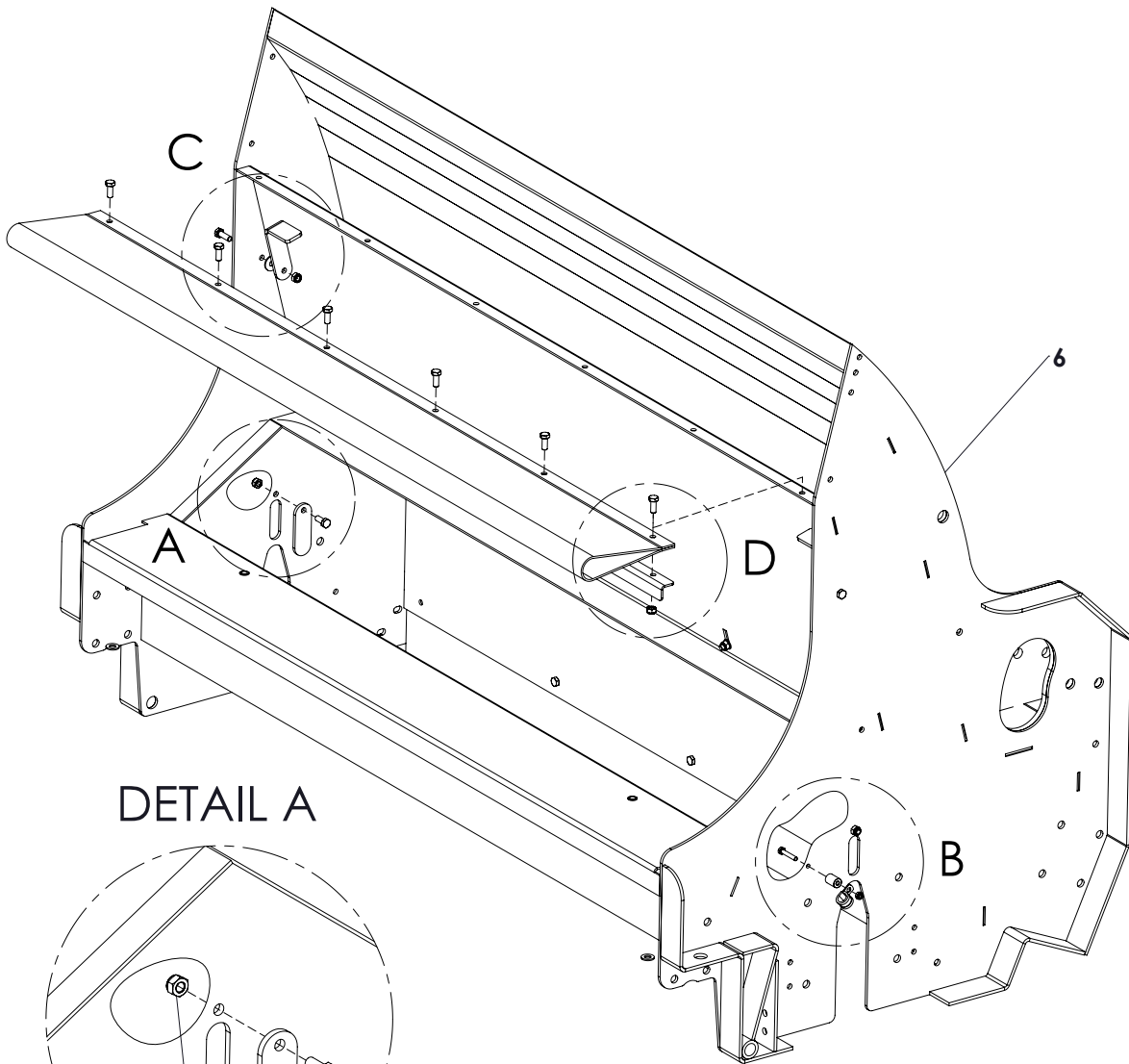
DETAIL A



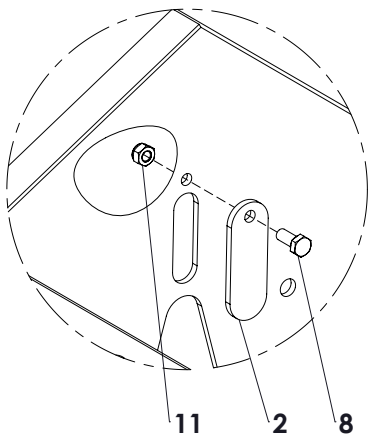
DETAIL B



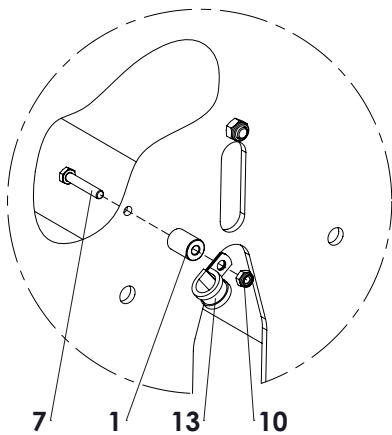
ITEM	PART NUMBER	DESCRIPTION	REMARKS	QUA TT3000	QUA TT2300
1	444.101.800	Guide strip		2	2
2	444.300.800	Slider block		2	2
3	464.084.330	Safety guide		1	1
4	464.150.800	Center strip rotor		4	4
5	470.102.752	Guide and lock Left		1	1
6	470.102.754	Guide and lock right		1	1
7	802.080.450	Bolt M8 x 45 - ISO 4014		4	4
8	804.080.300	Bolt M8 x 30 - ISO 4017		8	8
9	804.100.250	Bolt M10 x 25 - ISO 4017		4	8
10	816.080.250	Bolt M8x25 DIN 7991		4	4
11	820.100.350	MH Bolt M10 x 35 ISO 8677		8	8
12	830.080.080	Self Lock Nut M8 - ISO 10511		12	12
13	830.100.100	Self Lock Nut M10 - ISO 10511		12	12
14	864.100.030	Washer M10 - ISO 7089		8	8
15	521.191.120	3-Point Pin			2
16	523.100.570	Linch Pin d10			2



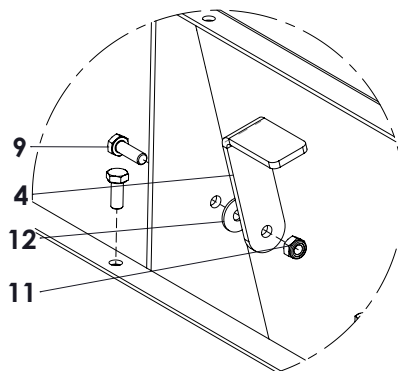
DETAIL A



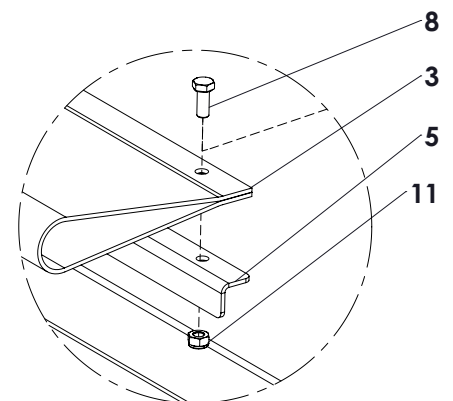
DETAIL B



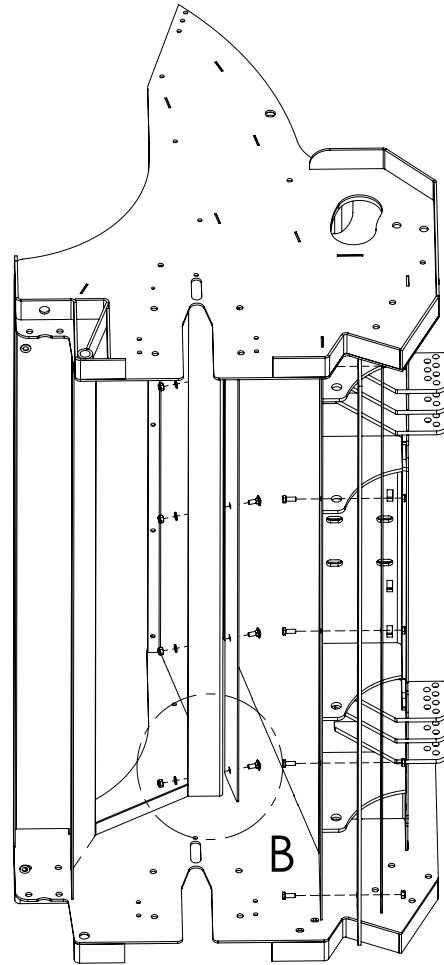
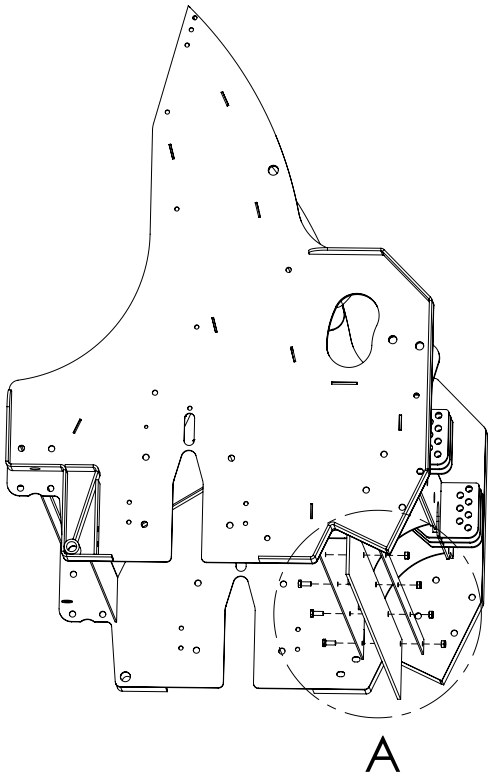
DETAIL C



DETAIL D

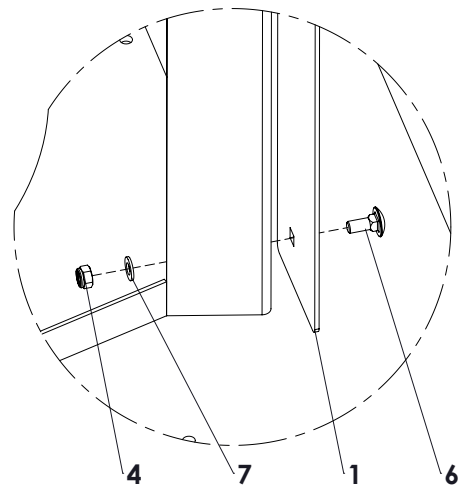
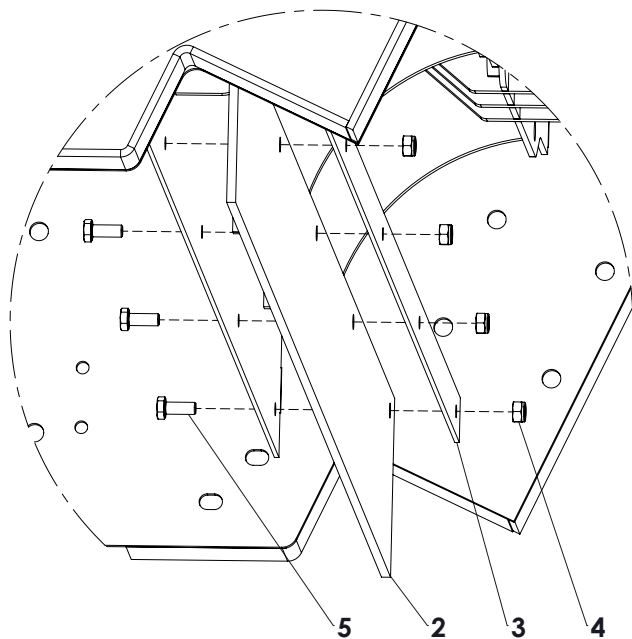


ITEM	PART NUMBER	DESCRIPTION	REMARKS	QUA TT3000	QUA TT2300
1	406.060.220	Bush Ø15/Ø6 L=22		1	1
2	444.050.880	Inspection cover		2	2
3	446.039.148	Rubber seal	TT2300	0	1
	446.039.190	Rubber seal	TT3000	1	0
4	464.051.000	Lock service door		2	2
5	468.039.149	Rubber clamp profile	TT2300	0	1
	468.039.190	Rubber clamp profile	TT3000	1	0
6	494.084.160	Head frame	TT2300	0	1
	494.084.216	Head frame	TT3000	1	0
7	802.201.000	Bolt M6 x 35 - ISO 4014		1	1
8	804.080.200	Bolt M8 x 20 - ISO 4017		8	8
9	804.080.250	Bolt M8 x 25 - ISO 4017		2	2
10	830.060.060	Self Lock Nut M6 - ISO 10511		1	1
11	830.080.080	Self Lock Nut M8 - ISO 10511		10	10
12	864.080.024	Large washer M8 - DIN 9021		2	2
13	547.100.180	Hose clamp 10		1	1

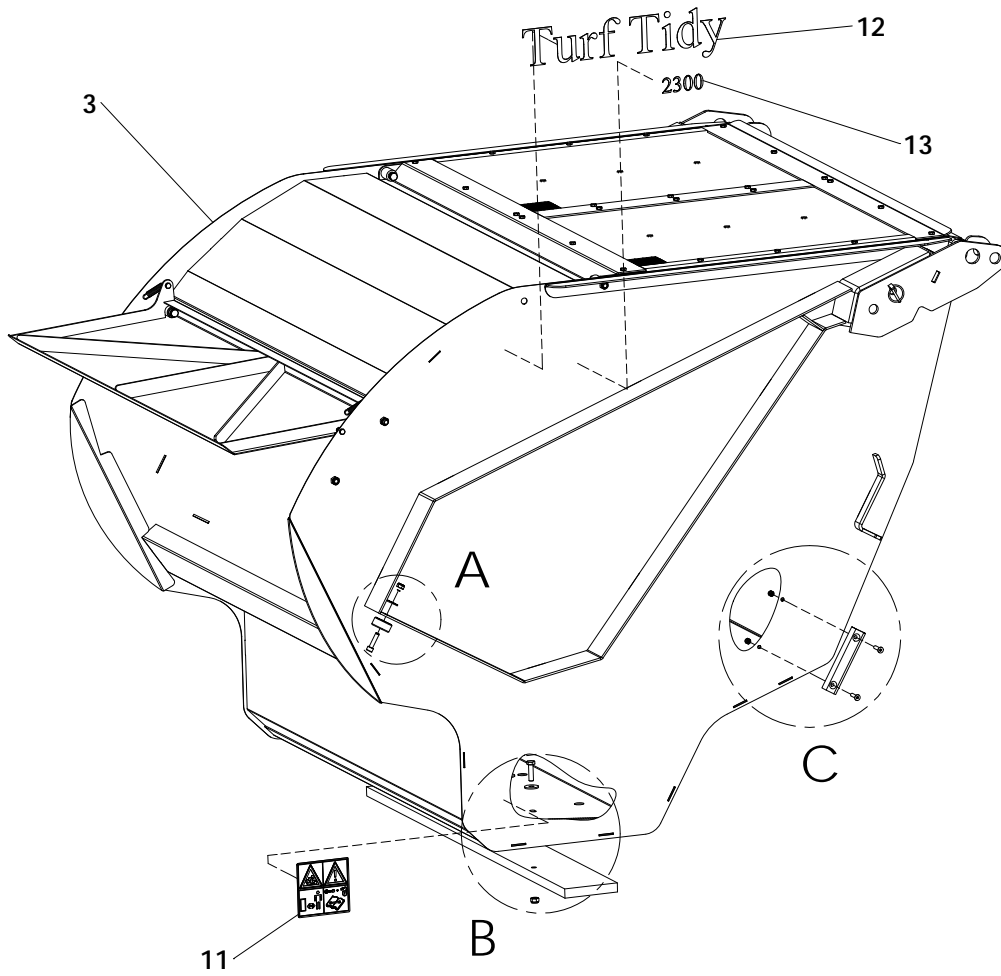
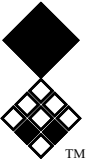


DETAIL A

DETAIL B



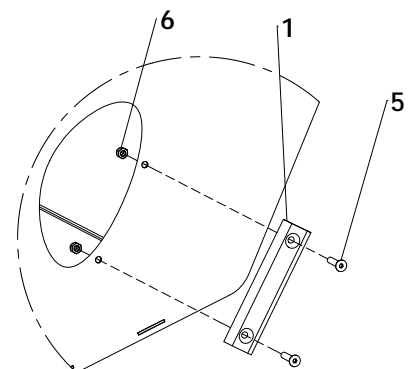
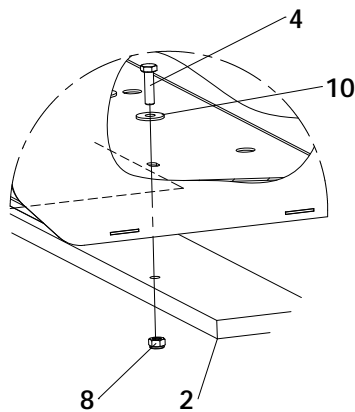
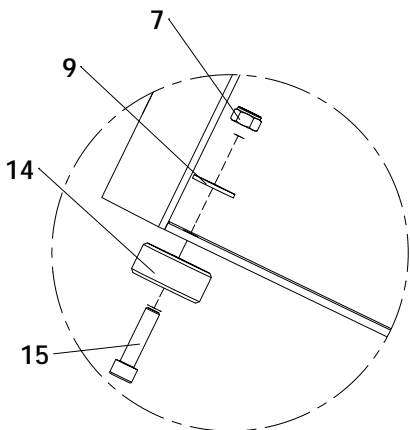
ITEM	PART NUMBER	DESCRIPTION	REMARKS	QUA TT3000	QUA TT2300
1	464.039.147	Cutting strip	TT2300	0	1
	464.039.190	Cutting strip	TT3000	1	0
2	446.049.148	Rubber strip 120x6 L=1480 1 cord layer	TT2300	0	1
	446.049.190	Rubber strip 120x6 L=1880 1 cord layer	TT3000	1	0
3	464.039.148	Clamp strip L=1470	TT2300	0	1
	464.039.190	Clamp strip L=1870	TT3000	1	0
4	830.080.080	Self Lock Nut M8 - ISO 10511		10	10
5	804.080.200	Bolt M8 x 20 - ISO 4017		5	5
6	820.080.200	MH Bolt M8 x 20 ISO 8677		5	5
7	864.080.030	Washer M8 - ISO 7089		5	5



DETAIL A

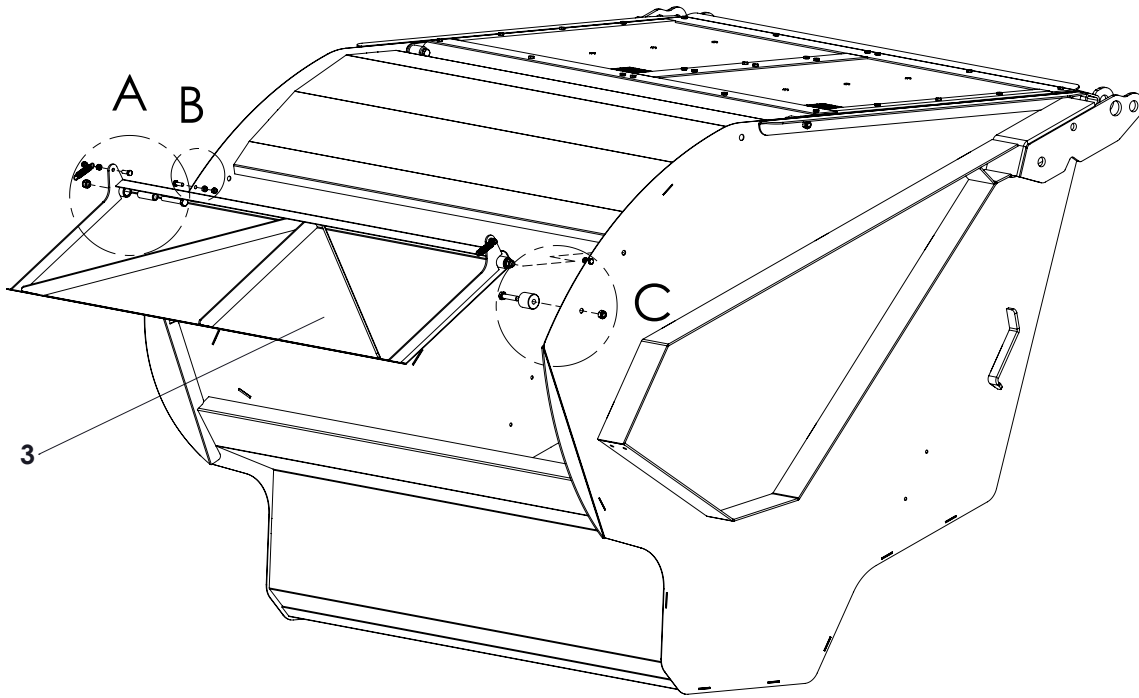
DETAIL B

DETAIL C

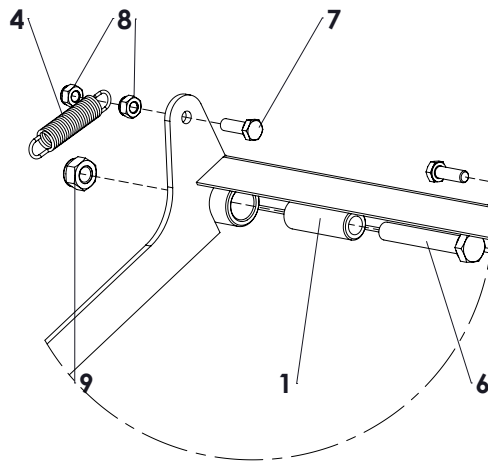




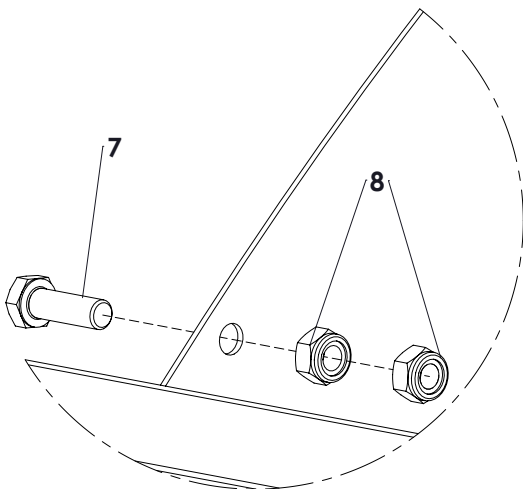
ITEM	PART NUMBER	DESCRIPTION	REMARKS	QUA TT3000	QUA TT2300
1	444.301.800	Center block		2	2
2	464.259.140	Hopper return strip L=1400	TT2300	0	1
	464.259.180	Hopper return strip L=1800	TT3000	1	0
3	494.179.201	Hopper TT2300	TT2300	0	1
	494.219.201	Hopper 1800	TT3000	1	0
4	804.120.400	Bolt M12 x 45 - ISO 4017		5	3
5	816.080.400	Bolt M8 x 40 DIN 7991 31.8C		4	4
6	830.080.080	Self Lock Nut M8 - ISO 10511		4	4
7	830.100.100	Self Lock Nut M10 - ISO 10511		2	2
8	830.120.120	Self Lock Nut M12 - ISO 10511		5	3
9	864.100.031	Large washer M10 - DIN 9021		2	2
10	864.120.031	Large washer M12 - DIN 9021		5	3
11	921.280.402	Safety decall VS		2	2
12	941.260.412	Decall Turf Tidy Big		2	2
13	941.260.416	Label 2300	TT2300	0	2
	924.260.420	Label 3000	TT3000	2	0
14	422.500.280	Round bar		2	2
15	814.100.400	Bolt M10 x 40 - DIN 912		2	2



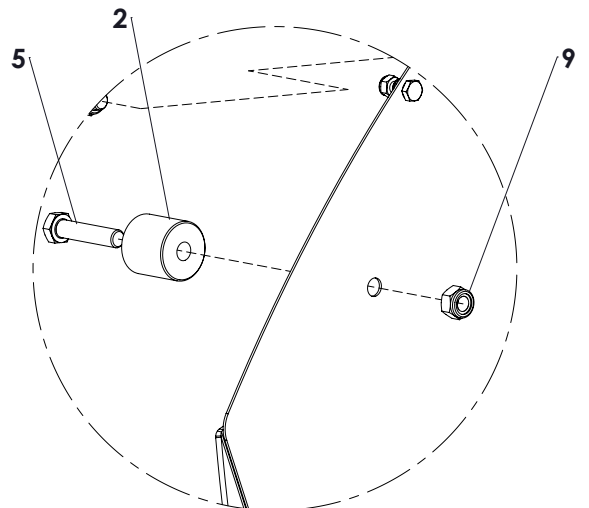
DETAIL A



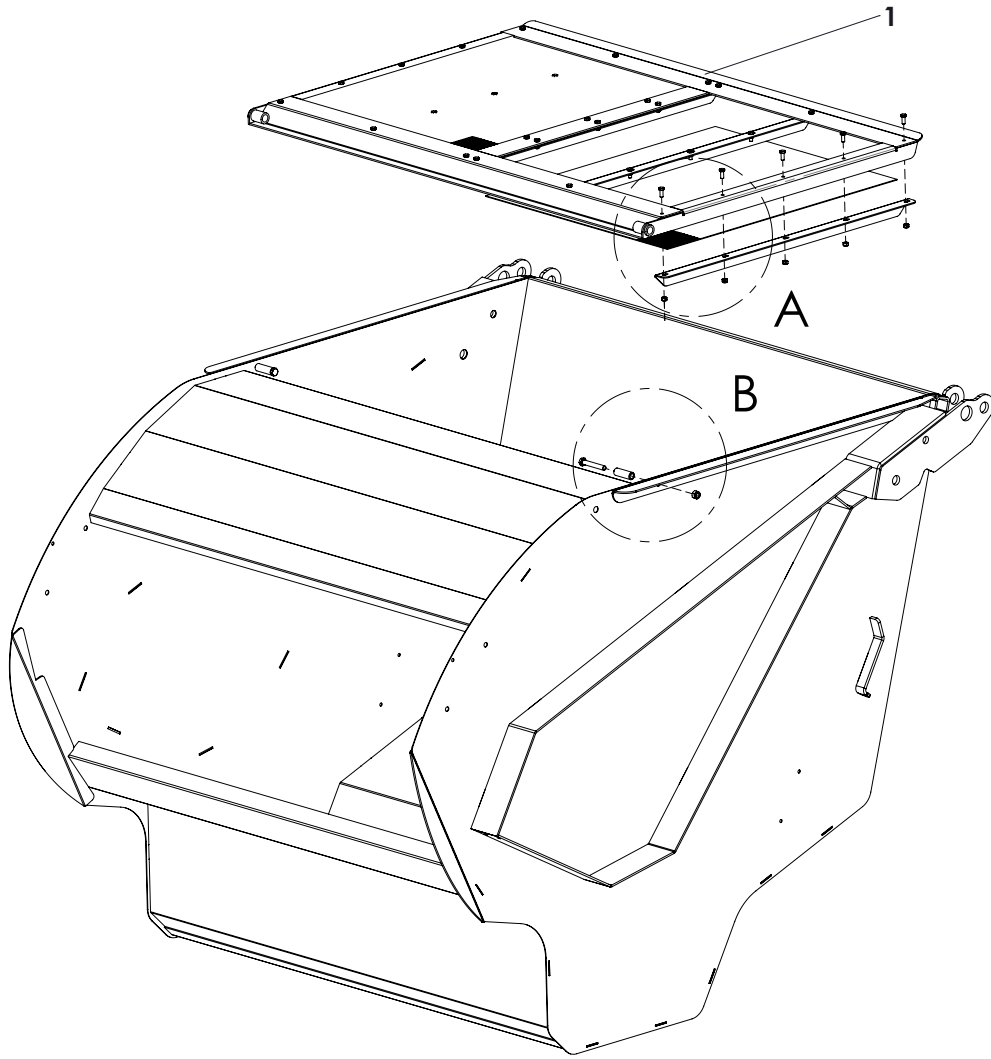
DETAIL B



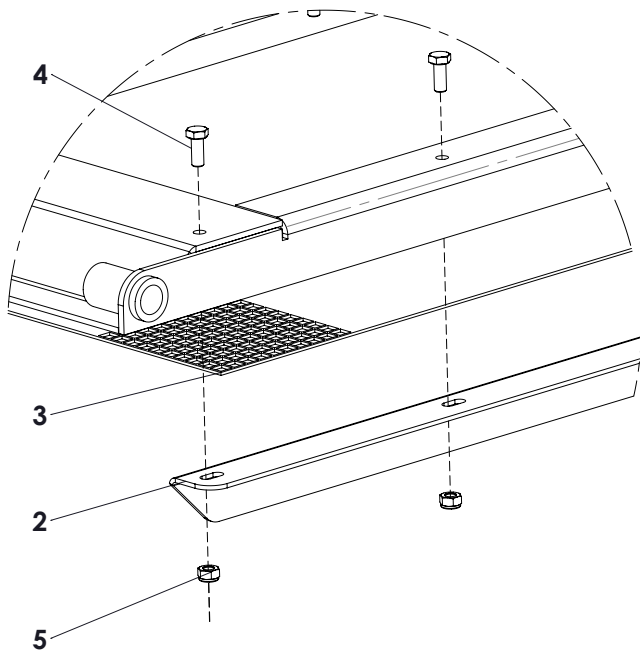
DETAIL C



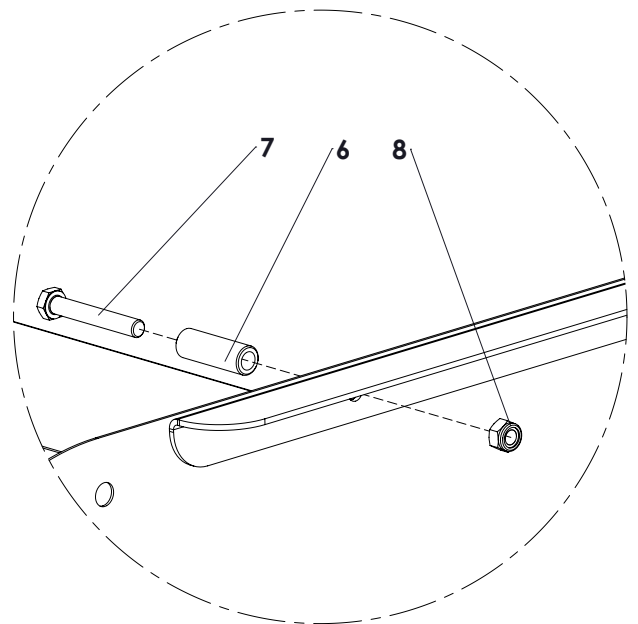
ITEM	PART NUMBER	DESCRIPTION	REMARKS	QUA TT3000	QUA TT2300
1	406.130.600	Bush Ø20/Ø12.5 L=60		2	2
2	444.400.400	Bush Ø40/Ø12.5 L=40		2	2
3	470.329.150	Head Lid	TT2300	0	1
	470.329.190	Head Lid	TT3000	1	0
4	575.140.760	Tension spring pedal VD7007H		2	2
5	802.120.550	Bolt M12 x 55 - ISO 4014		2	2
6	802.120.800	Bolt M12 x 80 - ISO 4014		2	2
7	804.080.250	Bolt M8 x 25 - ISO 4017		4	4
8	830.080.080	Self Lock Nut M8 - ISO 10511		8	8
9	830.120.120	Self Lock Nut M12 - ISO 10511		4	4



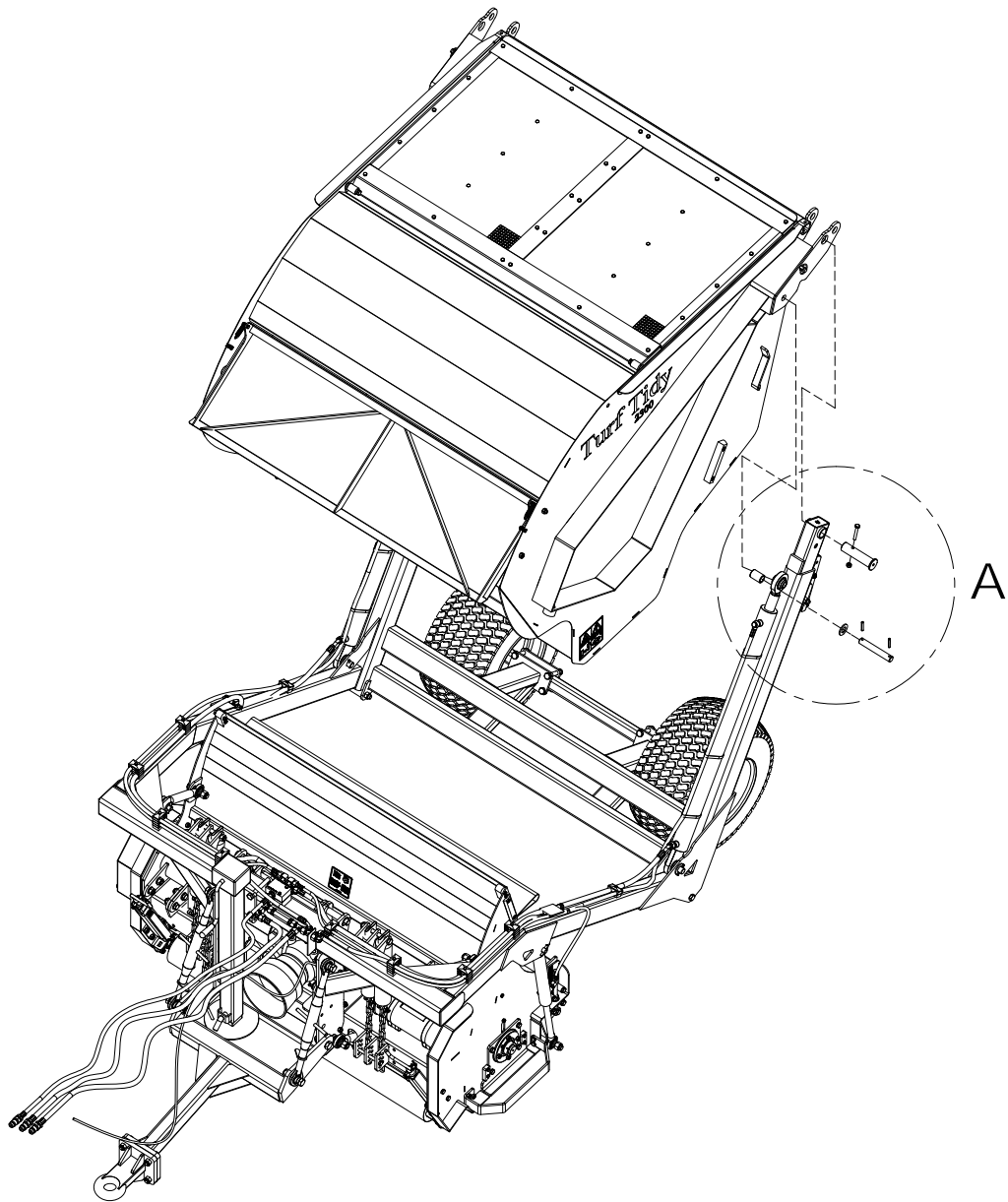
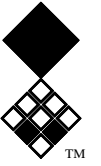
DETAIL A



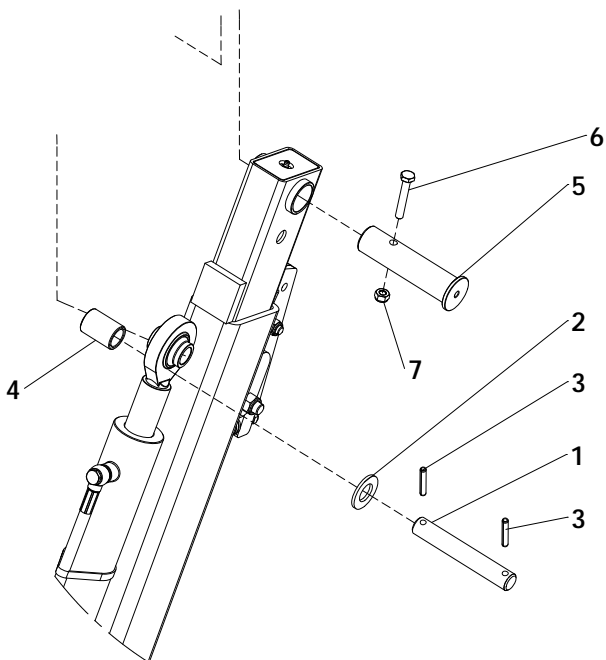
DETAIL B



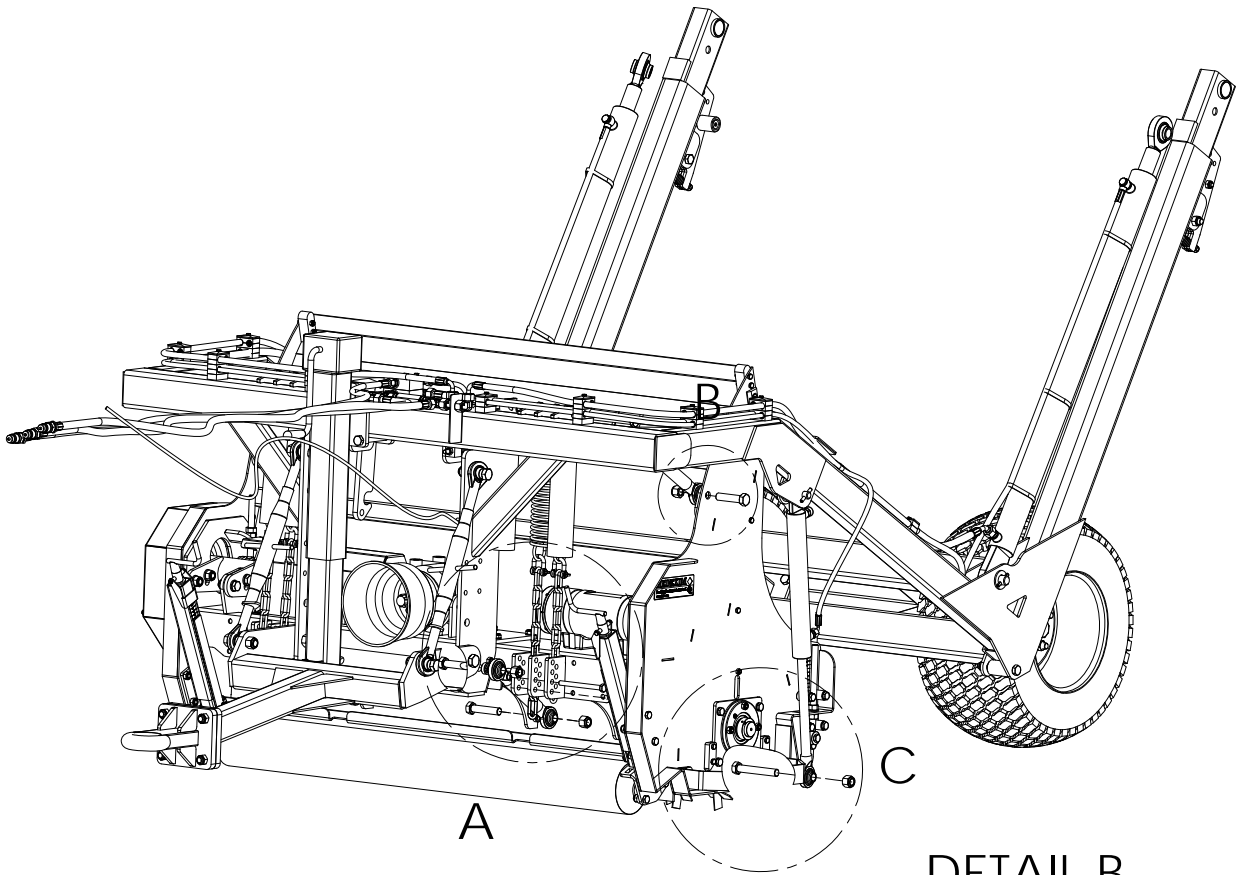
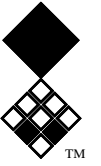
ITEM	PART NUMBER	DESCRIPTION	REMARKS	QUA TT3000	QUA TT2300
1	470.549.160	Hopper door	TT2300	0	1
	470.549.200	Hopper door	TT3000	1	0
2	468.039.200	Clamp angle profile		6	6
3	468.027.000	Perforated plate	TT2300	0	2
	468.029.000	Perforated plate	TT3000	2	0
4	804.080.200	Bolt M8 x 20 - ISO 4017		30	30
5	830.080.080	Self Lock Nut M8 - ISO 10511		30	30
6	406.130.600	Bush Ø20/Ø12.5 L=60		2	2
7	802.120.800	Bolt M12 x 80 - ISO 4014		2	2
8	830.120.120	Self Lock Nut M12 - ISO 10511		2	2



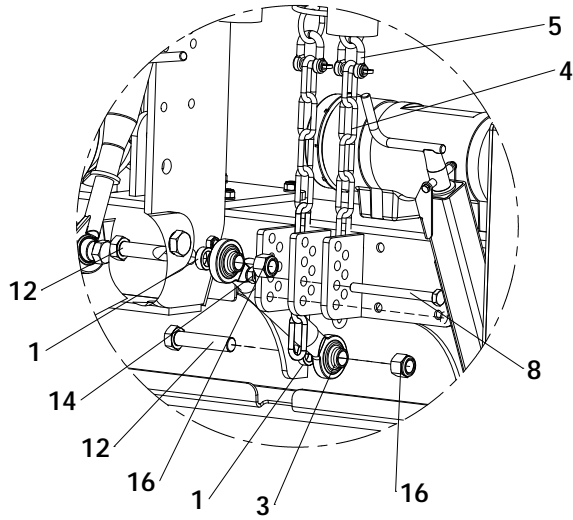
DETAIL A



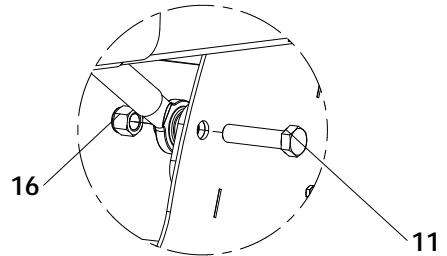
ITEM	PART NUMBER	DESCRIPTION	REMARKS	QUA TT3000	QUA TT2300
1	414.251.600	Pin Ø25 L=160		2	2
2	864.270.040	Washer DIN 125 - A 27		2	2
3	878.080.500	Roll Pin 8 x 50 - ISO 8752		4	4
4	406.260.500	Distance bush Ø35/Ø26 L=50		2	2
5	418.381.550	Pivot Shaft Hopper		2	2
6	802.100.650	Bolt M10 x 65 - ISO 4014		2	2
7	830.100.100	Self Lock Nut M10 - ISO 10511		2	2



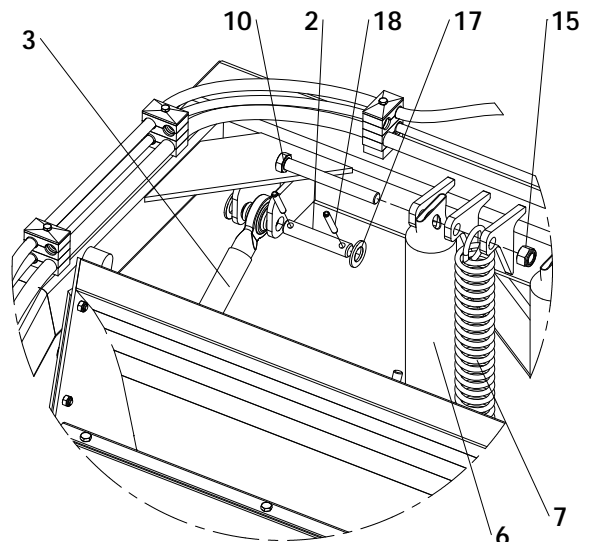
DETAIL A



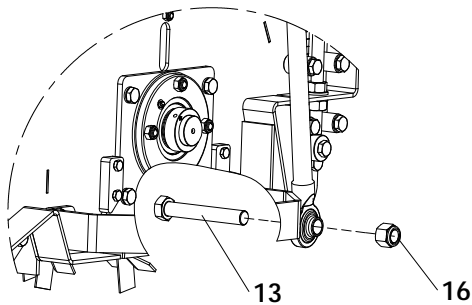
DETAIL B



DETAIL D

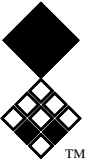


DETAIL C



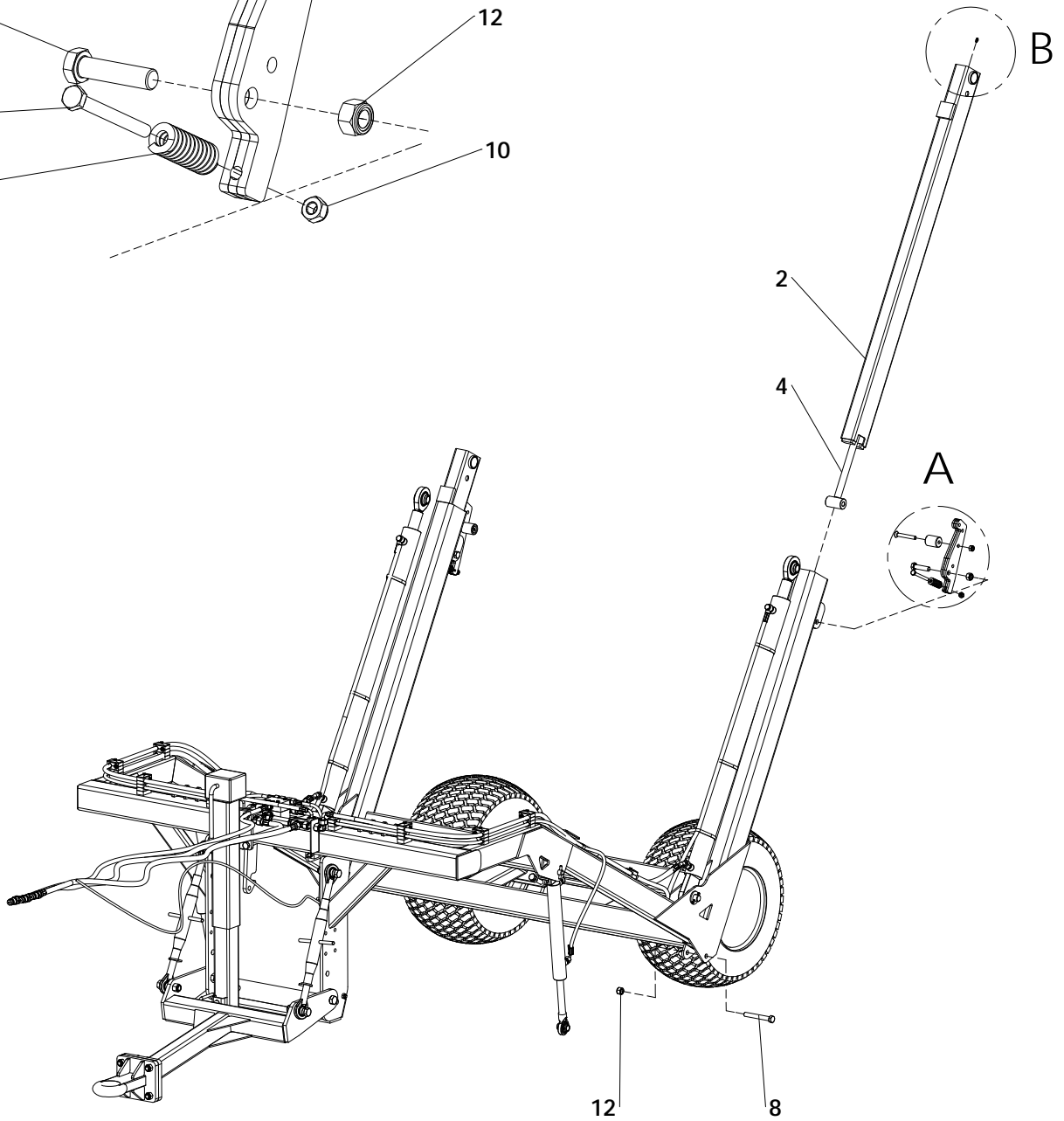
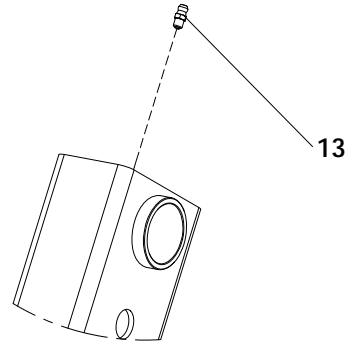
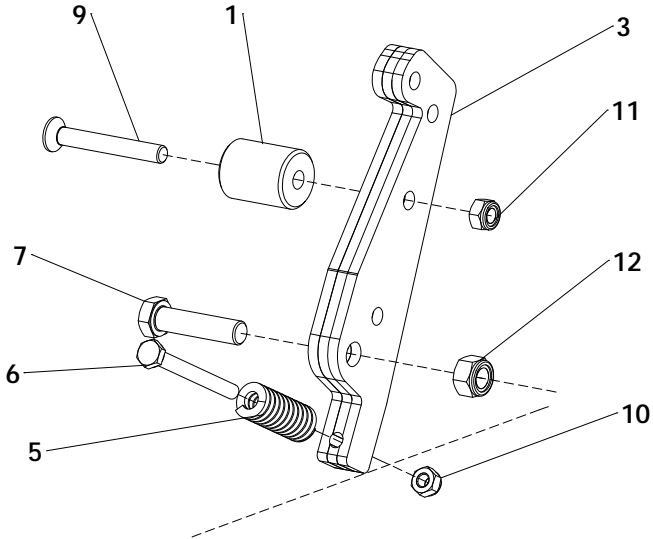


ITEM	PART NUMBER	DESCRIPTION	REMARKS	QUA TT3000	QUA TT2300
1	406.200.100	Distance bush Ø30/Ø20 L=10		4	4
2	414.191.000	Pin Ø19 L=100		2	2
3	478.452.700	Parallel Arm		4	4
4	599.021.392	Chain 8 links Ø7 L=392		4	4
5	846.100.471	D-shackle d1=10		4	4
6	541.067.400	Protection hose 2 1/2"		4	4
7	575.422.210	Tension spring Ø42 Lo=221	Largediameter version	4	2
	575.282.210	Tension spring Ø27.5 L=220	Small diameter version	0	2
8	802.121.400	Bolt M12 x 140 - ISO 4014		2	2
10	802.161.400	Bolt M16 x 140 - ISO 4014		2	2
11	808.190.830	Hex Bolt 0.75"-16x3.25" UNF - ANSI B18.2.1		2	2
12	808.190.890	Hex Bolt 3/4"-16 L=3.5 UNF		4	4
13	808.191.270	Hex Bolt 0.75"-16x5" UNF - ANSI B18.2.1		2	2
14	830.120.120	Self Lock Nut M12 - ISO 10511		2	2
15	830.160.160	Self Lock Nut M16 - ISO 10511		2	2
16	840.190.230	SL Nut 3/4"-16 UNF		8	8
17	864.200.030	Washer M20 - ISO 7089		4	4
18	878.080.500	Roll Pin 8 x 50 - ISO 8752		4	4



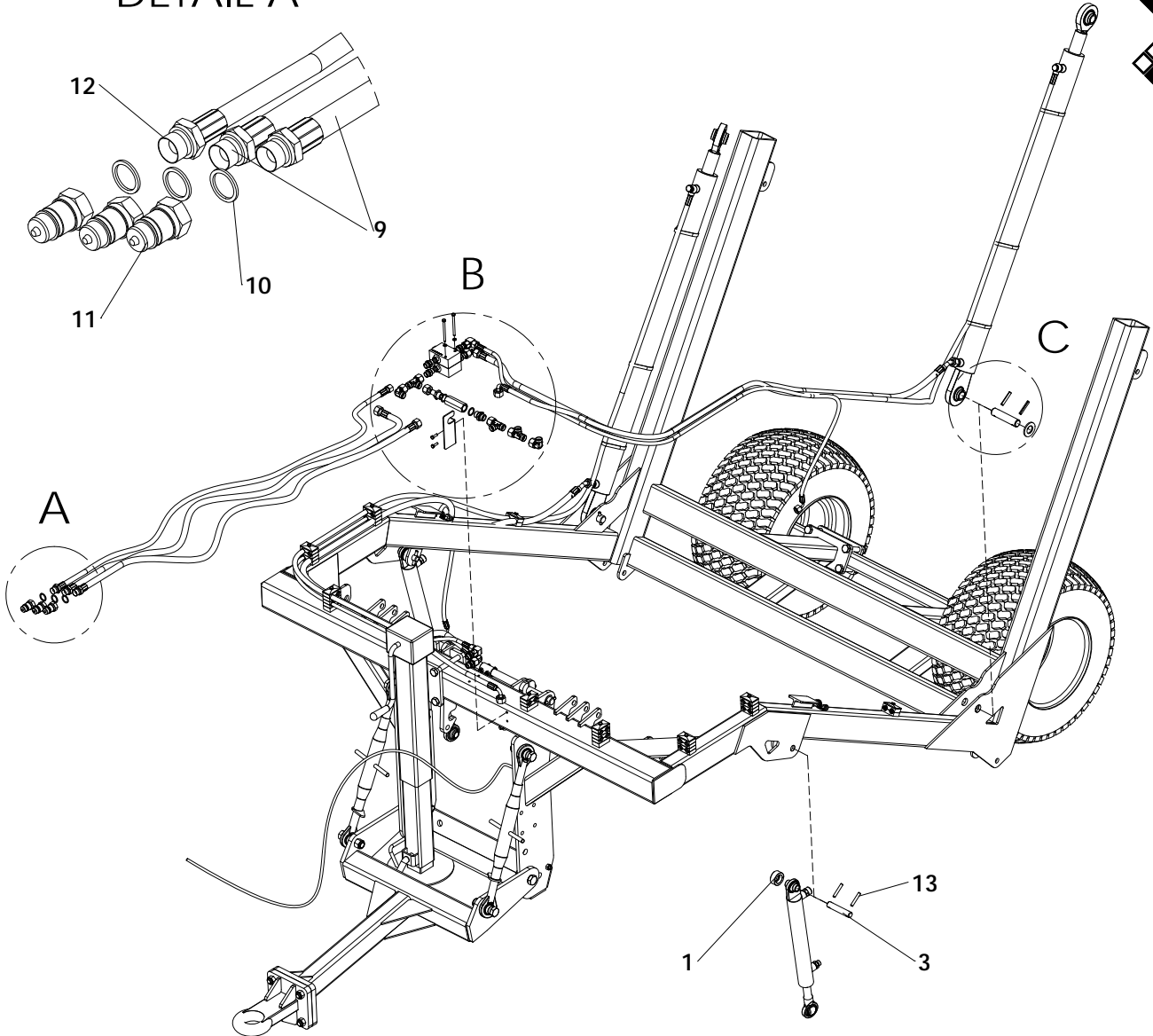
### DETAIL B

### DETAIL A

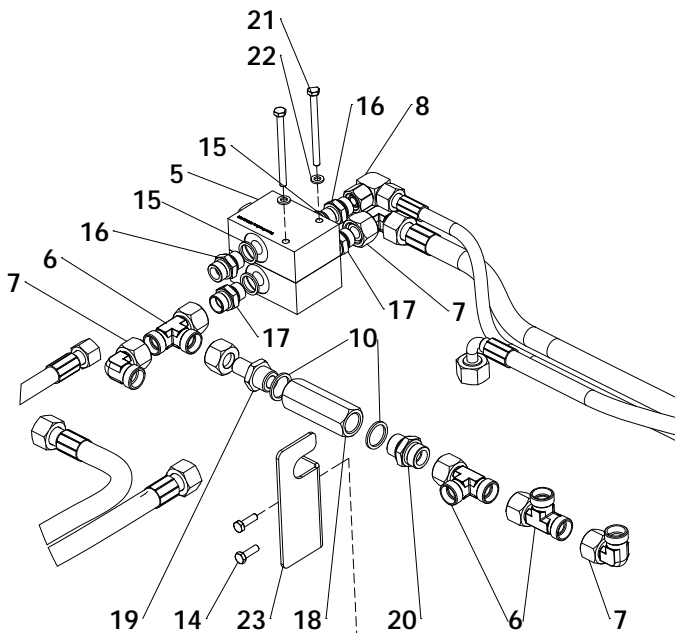


ITEM	PART NUMBER	DESCRIPTION	REMARKS	QUA TT3000	QUA TT2300
1	402.120.520	Lever Bush		2	2
2	462.115.915	Lifting beam		2	2
3	470.242.800	Lift lock		2	2
4	474.707.850	End block bar lift		2	2
5	576.250.640	Compression spring		2	2
6	802.101.000	Bolt M10 x 100 - ISO 4014		2	2
7	802.160.650	Bolt M16 x 65 - ISO 4014		2	2
8	802.161.200	Bolt M16 x 120 - ISO 4014		2	2
9	816.120.900	CSK Screw M12 x 90 - DIN 7991		2	2
10	830.100.100	Self Lock Nut M10 - ISO 10511		2	2
11	830.120.120	Self Lock Nut M12 - ISO 10511		2	2
12	830.160.160	Self Lock Nut M16 - ISO 10511		4	4
13	880.060.100	Grease nipple M6 DIN 71412A		2	2

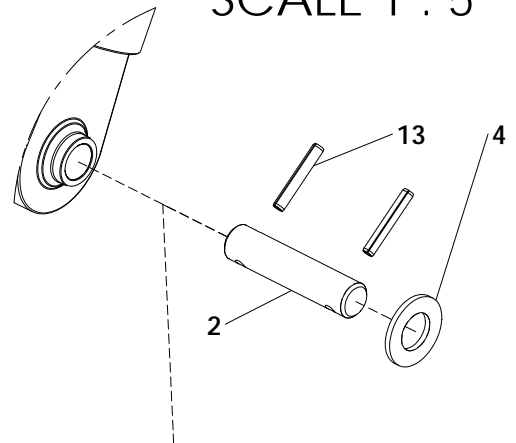
### DETAIL A



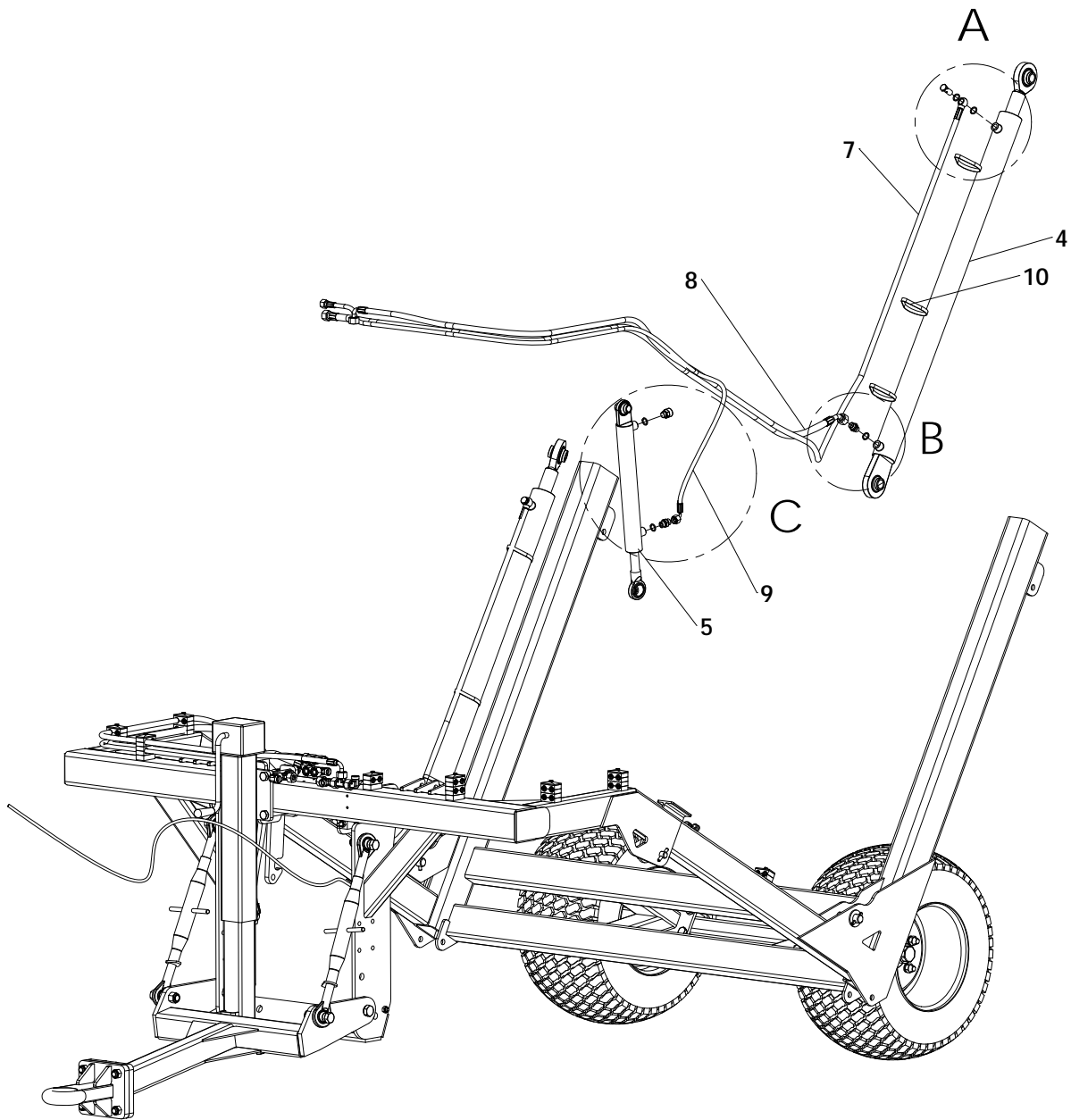
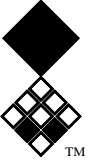
### DETAIL B



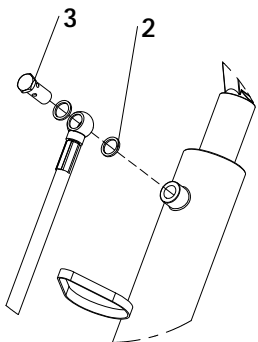
### DETAIL C SCALE 1 : 5



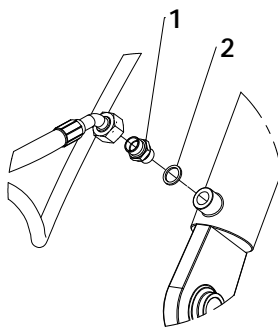
ITEM	PART NUMBER	DESCRIPTION	REMARKS	QUA TT3000	QUA TT2300
1	406.200.190	Distance bush Ø45/Ø19.5 L=19		2	2
2	414.251.100	Pin Ø25 L=110		2	2
3	414.191.000	Pin Ø19 L=100		2	2
4	864.270.040	Washer DIN 125 - A 27		2	2
5	536.350.930	Flow divider CP3401001 A06		2	2
6	544.154.700	T_L-Connector PM, Pipe 15-M22		3	3
7	544.151.150	L-Connector PM, Pipe 15-M22		4	4
8	544.123.180	L-Connector PM, Pipe 12-M18		2	2
9	541.191.602	Hose NSK13-1/2"L=2200 PGLO1322 PN138		2	2
10	874.210.020	Copper washer 1_2		5	5
11	545.210.800	Quick connector male 1/2"		3	3
12	541.152.200	Hose NSK 8-5/16" L=2200 PGLO818 - PN88		1	1
13	878.080.500	Roll Pin 8 x 50 - ISO 8752		8	8
14	804.060.200	Bolt M6 x 20 - ISO 4017		2	2
15	874.170.020	Copper washer 3_8		6	6
16	544.170.120	Nipple BSP 3_8" x pipe 12 (M18)		3	3
17	544.172.220	Nipple BSP 3_8" x pipe 15 (M22)		3	3
18	536.307.800	SL Non-Return Valve 1/2", 10.0 bar		1	1
19	544.210.155	Joint Connector Straight 1/2" x Ø15 Prem.		1	1
20	544.210.150	Nipple BSP 1_2" x pipe 15 (M22)		1	1
21	802.060.800	Bolt M6 x 80 - ISO 4014		2	2
22	864.060.030	Washer M6 - ISO 7089		2	2
23	468.031.306	Support		1	1



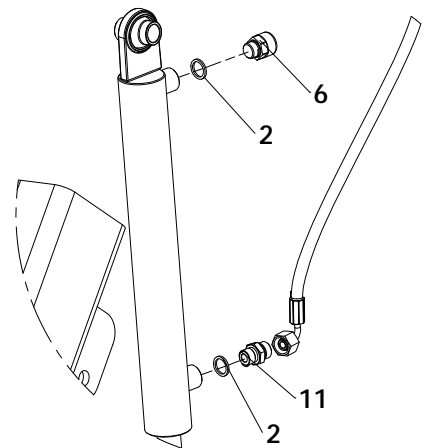
DETAIL A



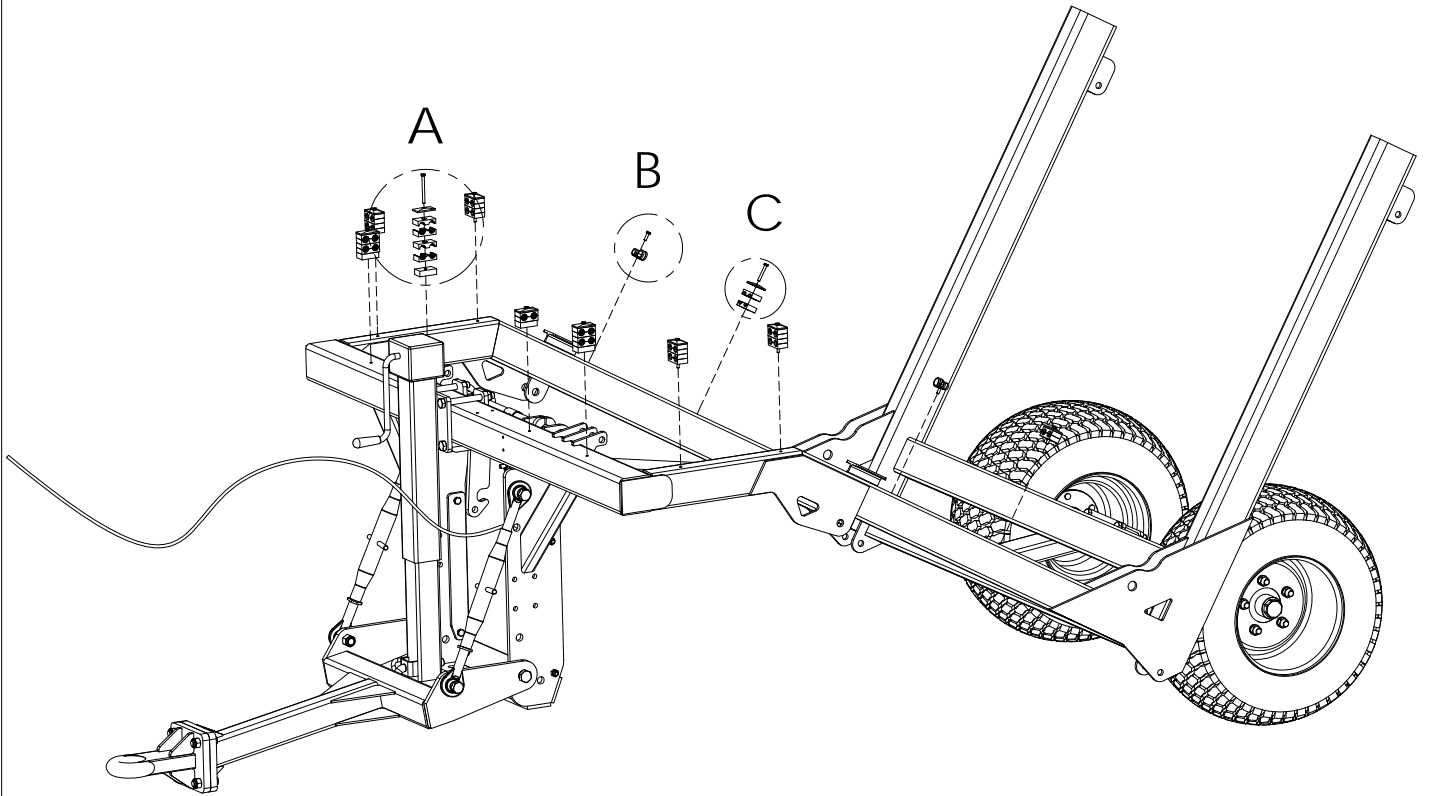
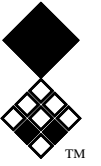
DETAIL B



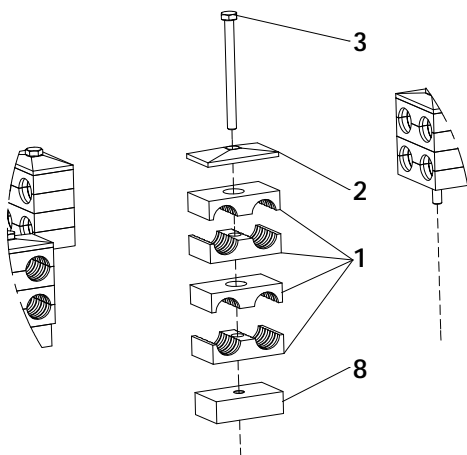
DETAIL C



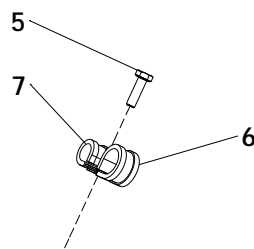
ITEM	PART NUMBER	DESCRIPTION	REMARKS	QUA TT3000	QUA TT2300
1	544.172.220	Nipple BSP 3_8" x pipe 15 (M22)		2	2
2	874.170.020	Copper washer 3_8		10	10
3	544.172.400	Cavity Bolt 3/8"		2	2
4	534.409.990	Double acting cylinder 40/60/1000		2	2
5	534.253.000	Hydraulic cilinder		2	2
6	537.380.360	Breather 3/8" BSP		2	2
7	541.163.300	Hose NSK 10-3/8" L=3300 PGLO101890 - PQB106	TT2300	0	2
	541.163.500	Hose NSK 10-3/8" L=3500 PGLO101890 - PQB106	TT3000	2	0
8	541.192.350	Hose NSK 13-1/2" L=2350 PGLO132245 - PGLO1322	TT2300	0	2
	541.192.550	Hose NSK 13-1/2" L=2550 PGLO0132245 + PN138	TT3000	2	0
9	541.132.202	Hose NSK 6-1/4" L=2200 PGLO0618 - PF6690	TT2300	0	2
	541.132.400	Hose NSK 6-1/4" L=2400 PGLO0618 - PF6690	TT3000	2	0
10	593.093.500	Cable tie 9x350mm		6	6
11	544.170.120	Nipple BSP 3_8" x pipe 12 (M18)		2	2



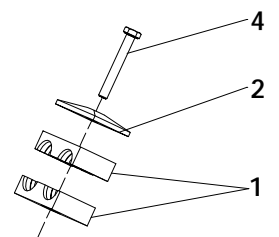
DETAIL A



DETAIL B

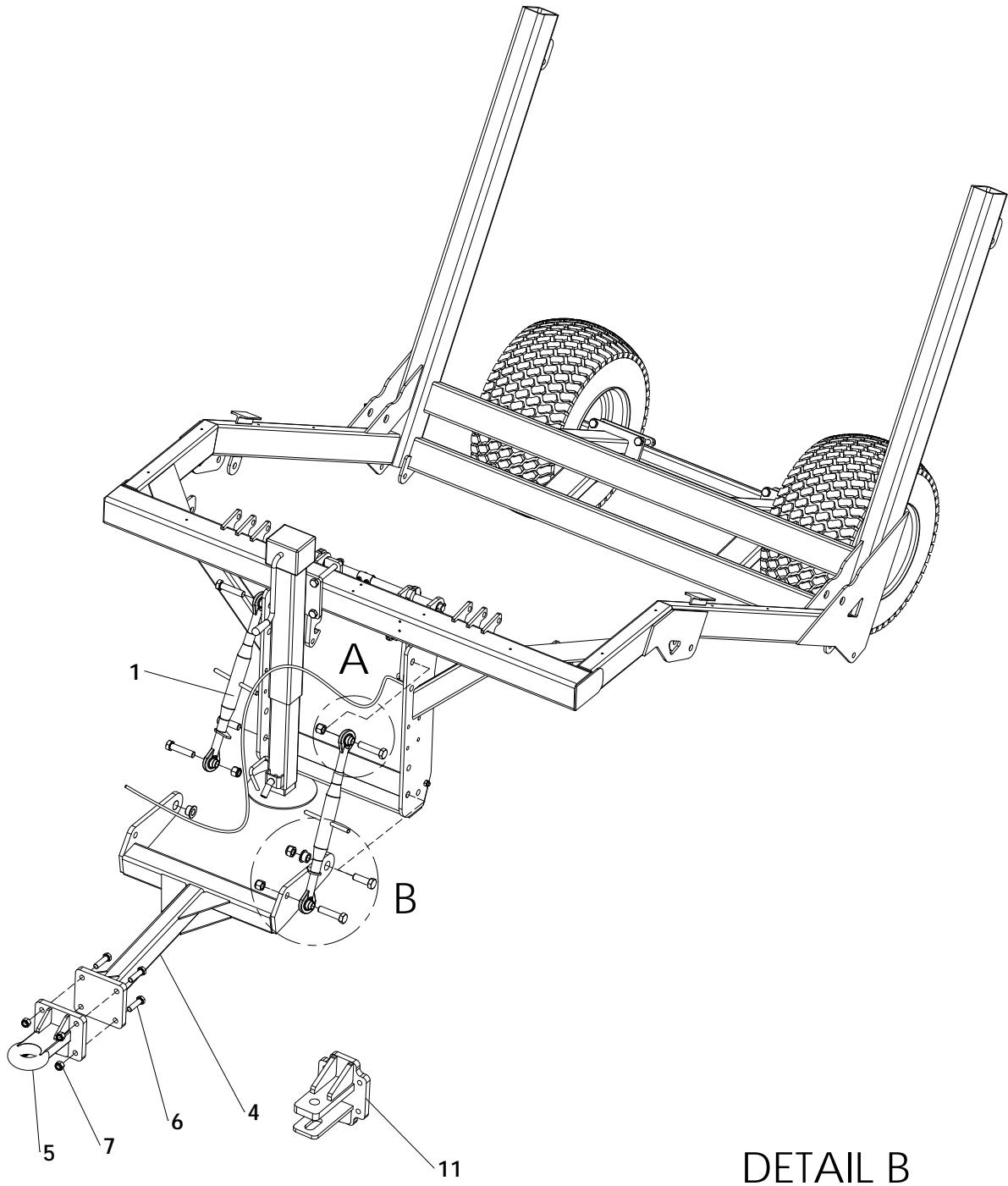
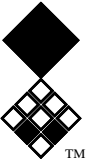


DETAIL C

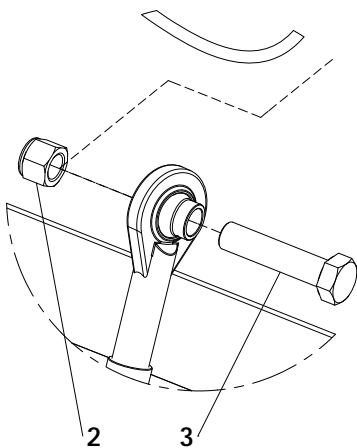




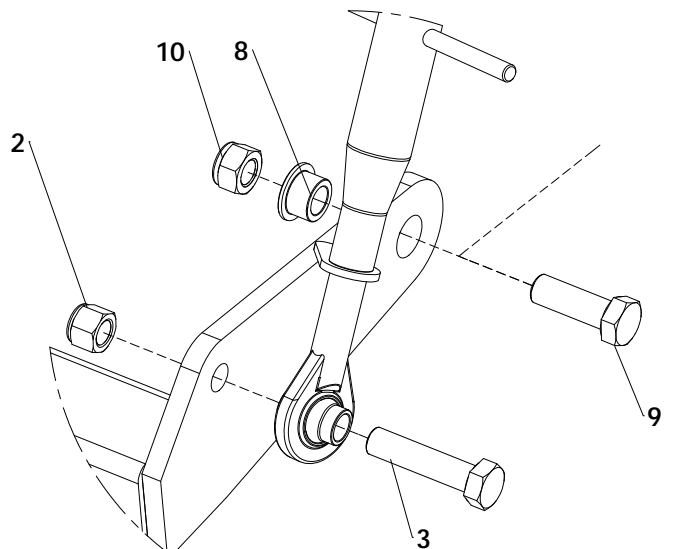
ITEM	PART NUMBER	DESCRIPTION	REMARKS	QUA TT3000	QUA TT2300
1	547.180.180	Hose clamp double 18mm		42	34
2	547.070.510	Cover plate hose clamp 2x15 - 2x18		12	10
3	802.060.750	Bolt M6 x 75 - ISO 4014		9	7
4	802.060.450	Bolt M6 x 45 - ISO 4014		3	3
5	804.060.200	Bolt M6 x 20 - ISO 4017		2	2
6	547.180.300	Hose clamp 18		2	2
7	547.120.200	Hose clamp 12		2	2
8	464.150.500	Extension blok		4	4



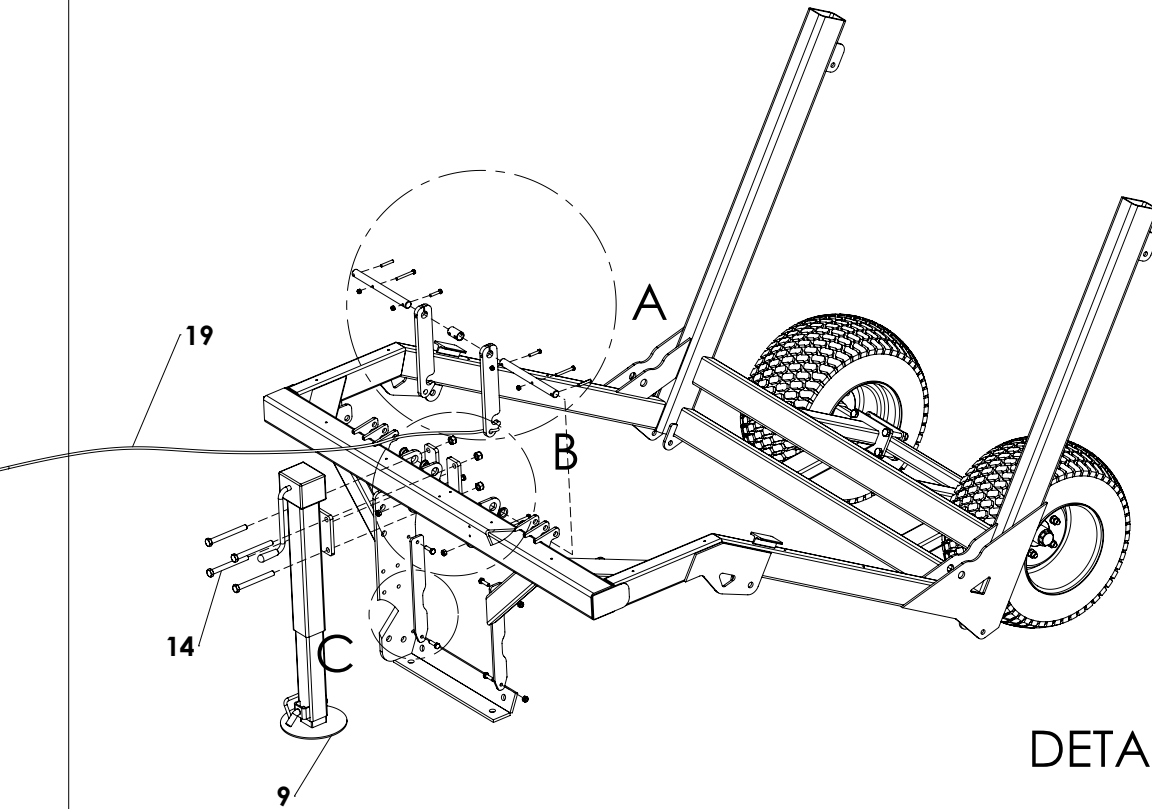
DETAIL A



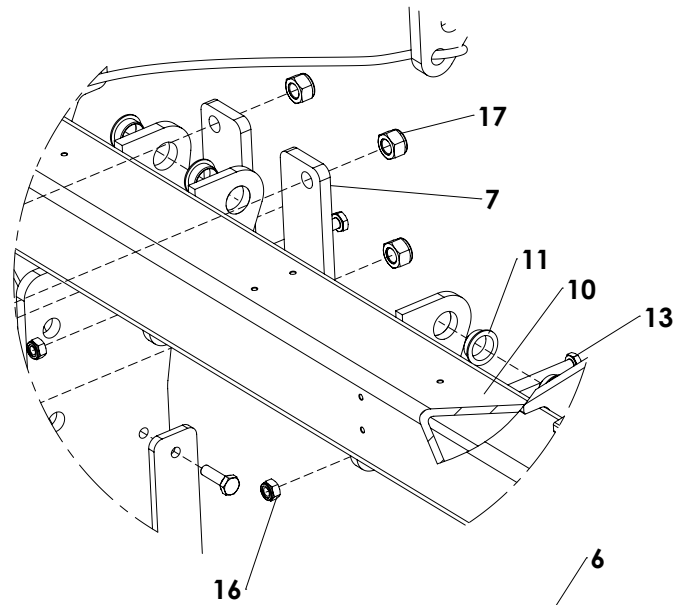
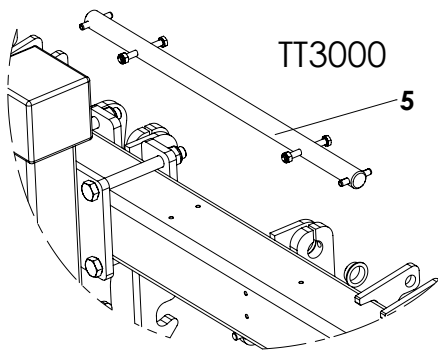
DETAIL B



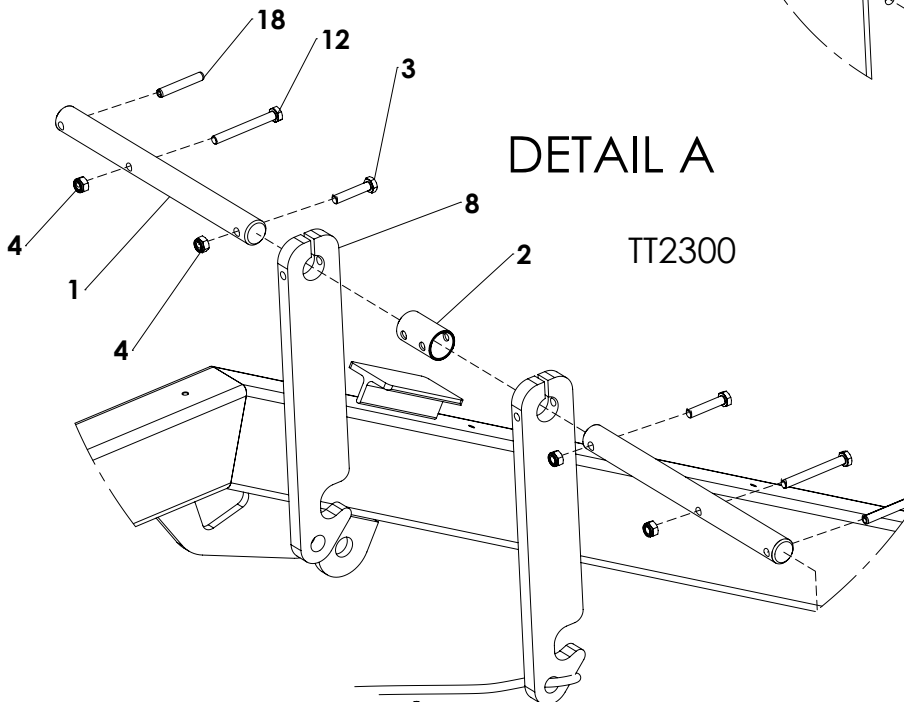
ITEM	PART NUMBER	DESCRIPTION	REMARKS	QUA TT3000	QUA TT2300
1	522.194.450	Toplink Cat. 1 L0=498 Stroke=200		2	2
2	840.190.230	SL Nut 3/4"-16 UNF		4	4
3	808.190.830	Hex Bolt 0.75"-16x3.25" UNF - ANSI B18.2.1		4	4
4	462.117.912	Draw Bar base		1	1
5	470.202.550	Din eye draw bar	Optional	1	1
6	802.160.600	Bolt M16 x 60 - ISO 4014		4	4
7	830.160.160	Self Lock Nut M16 - ISO 10511		4	4
8	404.200.200	Pivot bush wheel frame SP		2	2
9	804.200.600	Bolt M20 x 60 - ISO 4017		2	2
10	830.200.200	Self Lock Nut M20 - ISO 10511		2	2
11	470.122.200	Double lip pulleye	Standard	1	1



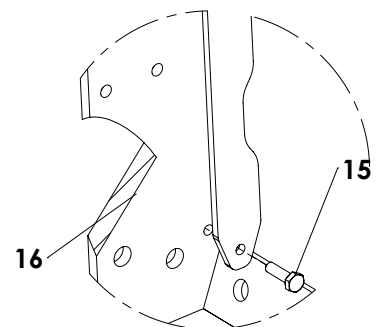
DETAIL B



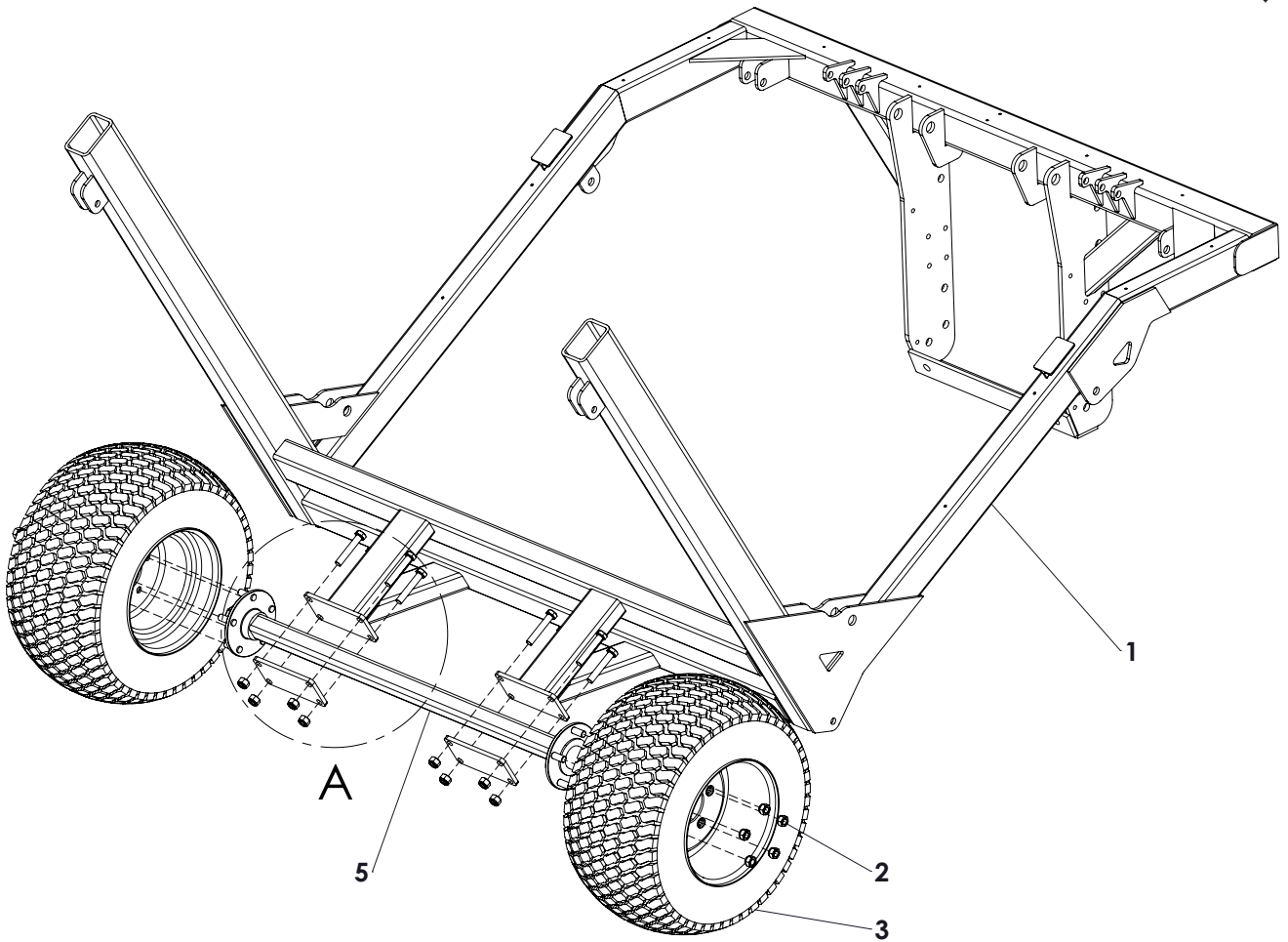
DETAIL A



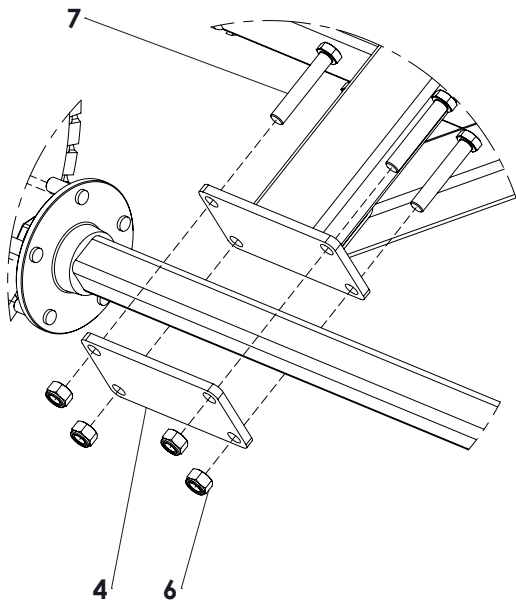
DETAIL C



ITEM	PART NUMBER	DESCRIPTION	REMARKS	QUA TT3000	QUA TT2300
1	414.252.900	Bar Ø25h9 L=290	TT2300	0	2
2	476.030.050	Connection pipe	TT2300	0	1
3	802.080.400	Bolt M8 x 40 - ISO 4014	TT2300	0	2
4	830.080.080	Self Lock Nut M8 - ISO 10511	TT2300	2	4
5	414.255.800	Bar Ø25h9 L=580	TT3000	1	0
6	444.084.000	Center guide strip		2	2
7	464.121.500	Lock strip		2	2
8	464.153.400	Lock Strip		2	2
9	484.725.270	Adjustable support		1	1
10	576.020.500	Spring Ø14.5/Ø10.5 L=49.5		2	2
11	732.250.120	Bearing Ø25 h=11.5		4	4
12	802.080.700	Bolt M8 x 70 - ISO 4014		2	2
13	802.100.900	Bolt M10 x 90 - ISO 4014		2	2
14	802.161.500	Bolt M16 x 150 - ISO 4014		4	4
15	804.100.350	Bolt M10 x 35 - ISO 4017		4	4
16	830.100.100	Self Lock Nut M10 - ISO 10511		6	6
17	830.160.160	Self Lock Nut M16 - ISO 10511		4	4
18	878.080.500	Roll Pin 8 x 50 - ISO 8752		2	2
19	899.080.250	Nylon cord Ø8 L=3500		1	1

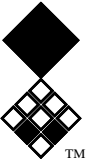


DETAIL A

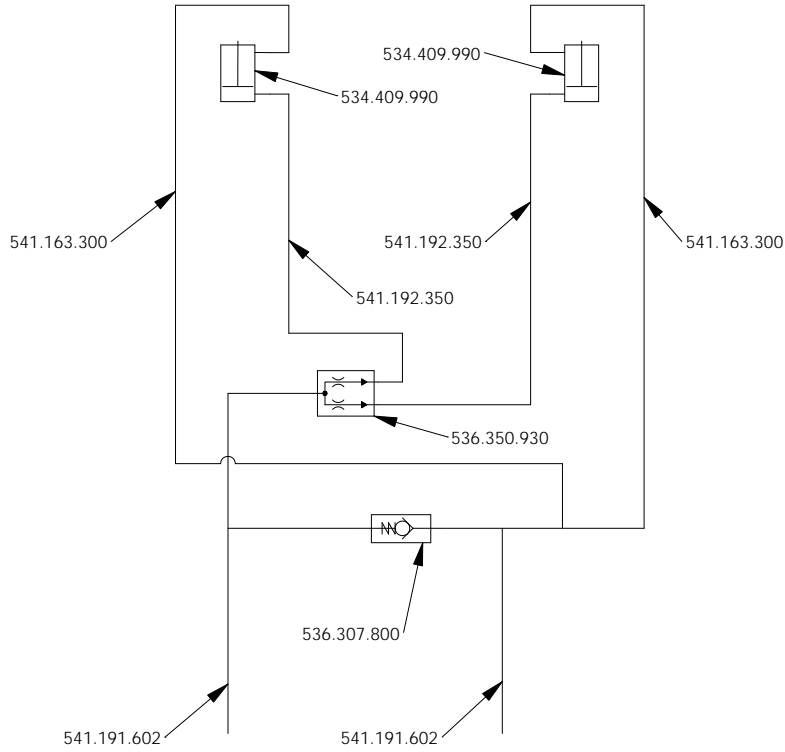


ITEM	PART NUMBER	DESCRIPTION	REMARKS	QUA TT3000	QUA TT2300
1	494.243.179	Frame	TT2300	0	1
	494.243.219	Frame	TT3000	1	0
2	844.160.160	Wheel Nut M16		10	10
3	511.660.305	Wheel 26x12 inch complete		2	2
4	464.102.000	Clamp strip		2	2
5	494.117.017	Wheel shaft 5xM16 50x50 L=1100	TT2300	0	1
	519.090.915	Wheel shaft 5xM16 50x50 L=1500	TT3000	1	0
6	830.160.160	Self Lock Nut M16 - ISO 10511		8	8
7	802.160.100	Bolt M16 x 90 - ISO 4014		8	8

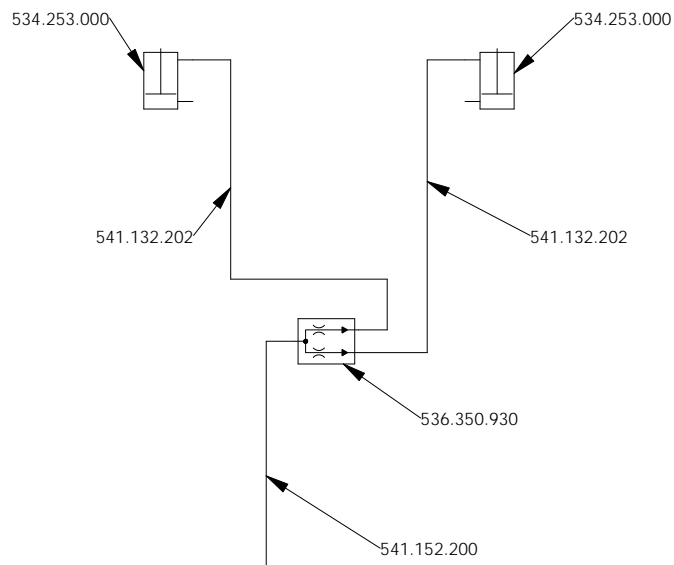
# Turf Tidy 2300



Hydraulic system lifting cylinders hopper



Hydraulic system lifting cylinders head

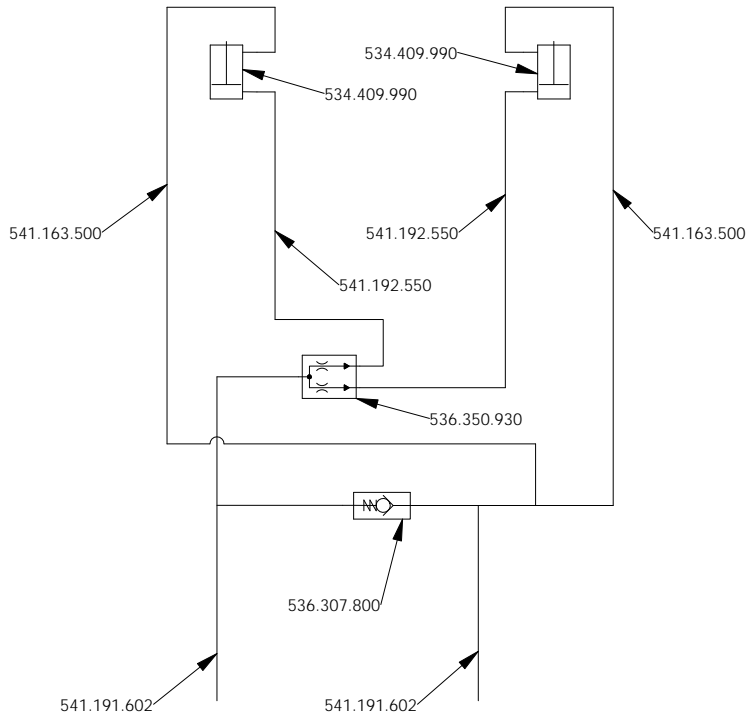




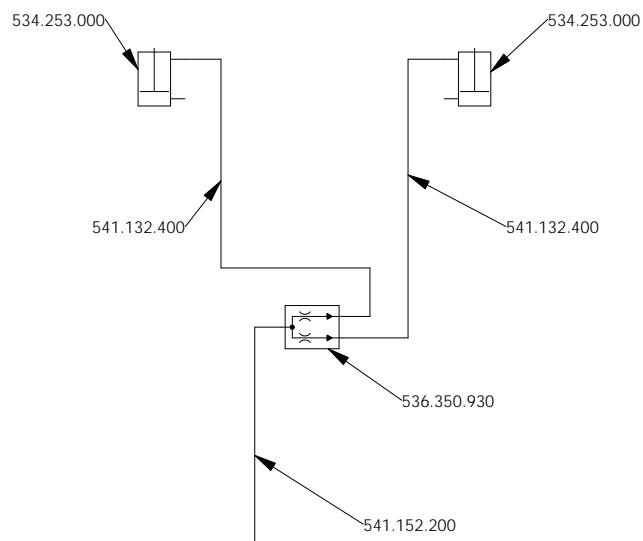
# Turf Tidy 3000

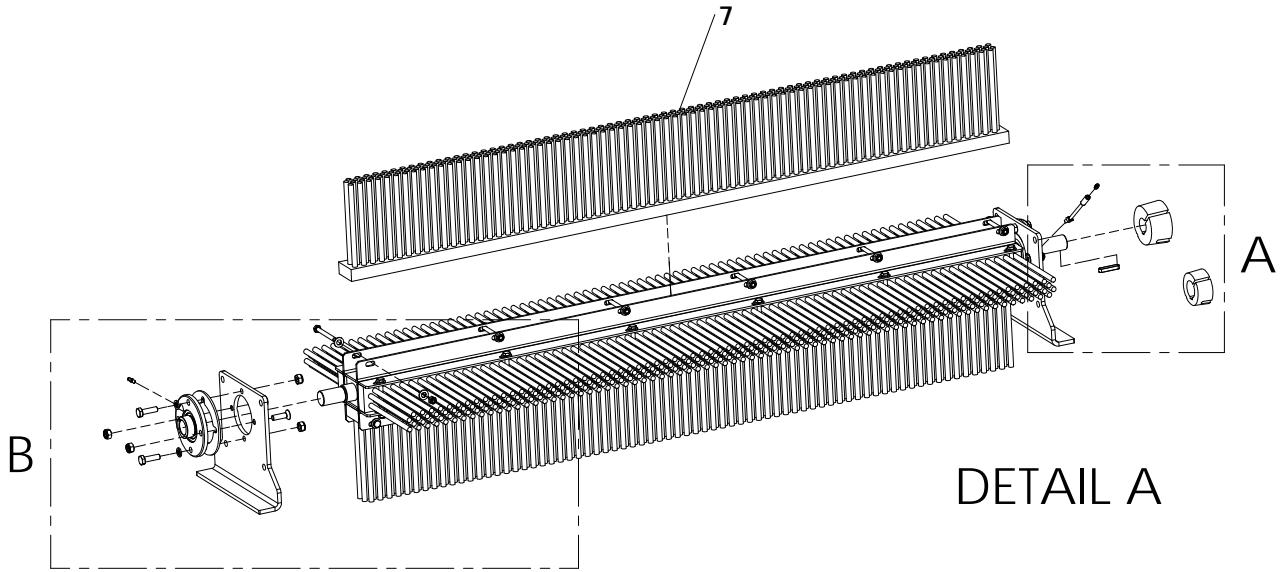
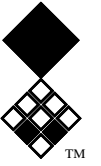


Hydraulic system lifting cylinders hopper

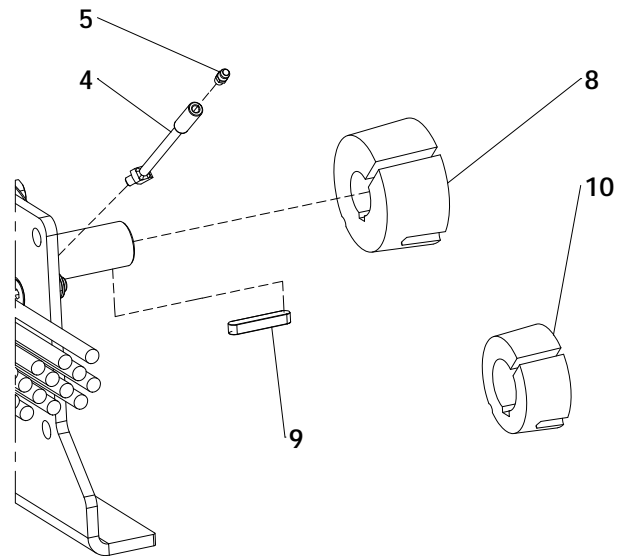


Hydraulic system lifting cylinders head

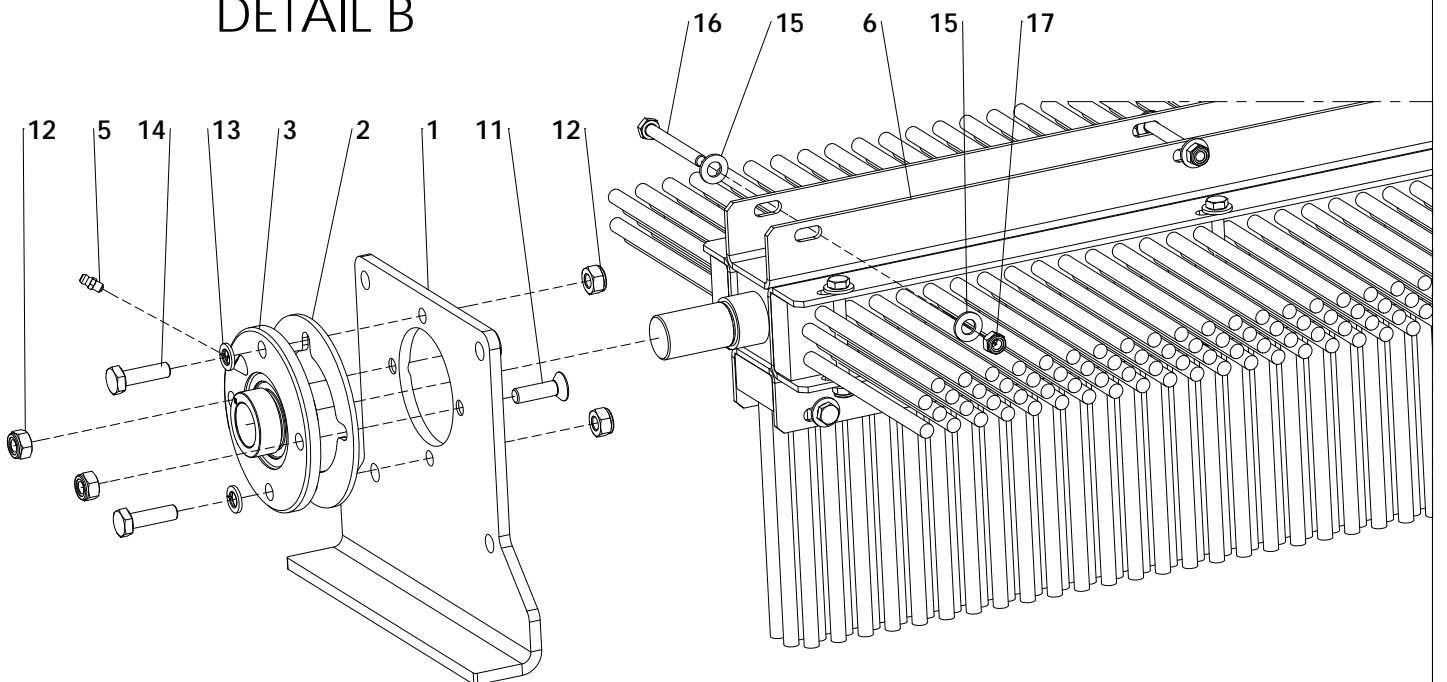




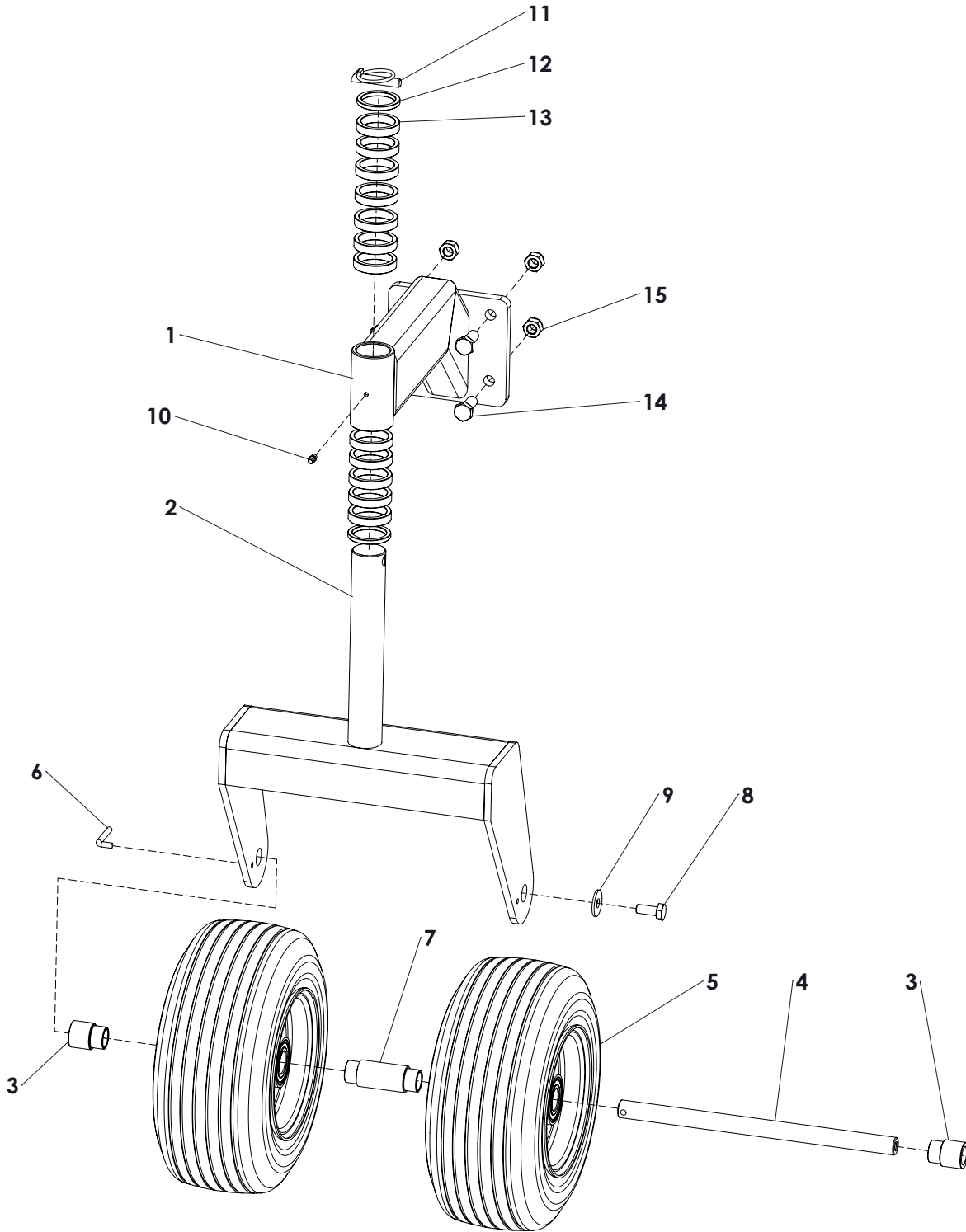
DETAIL A



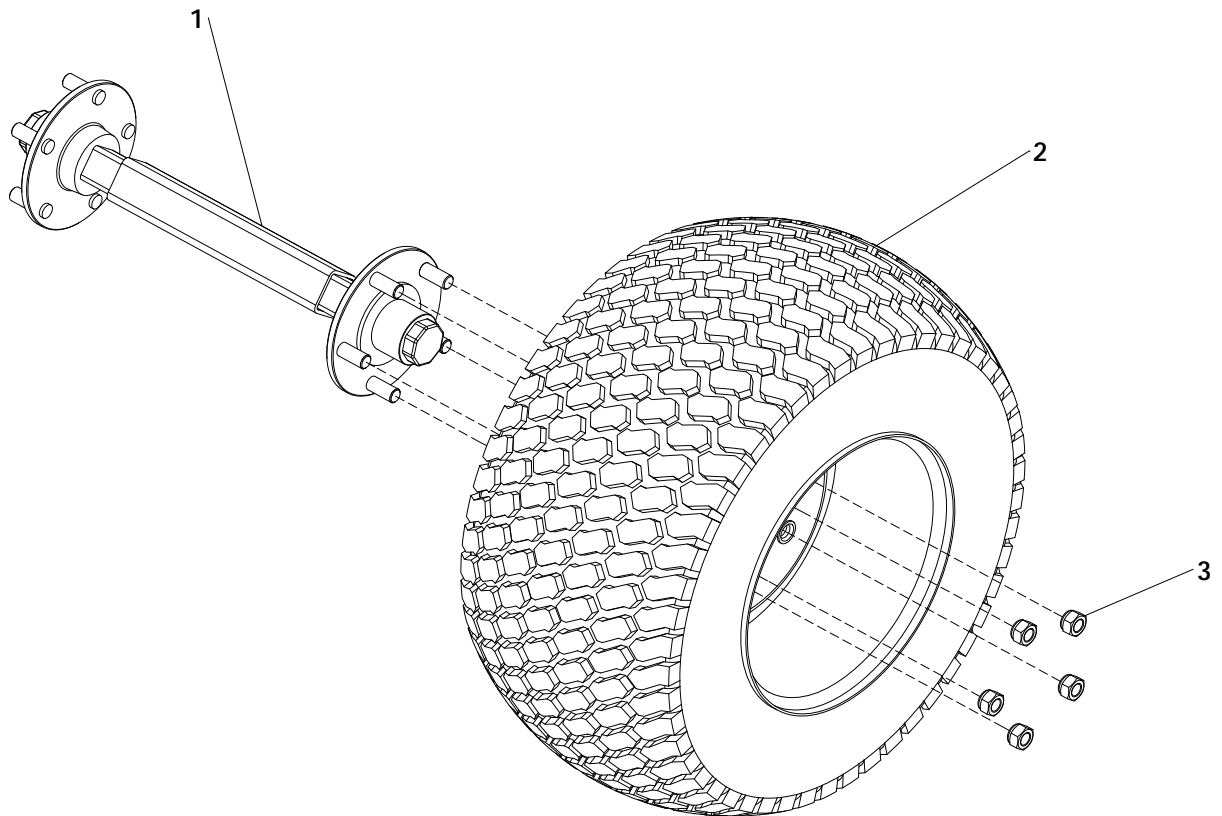
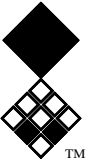
DETAIL B



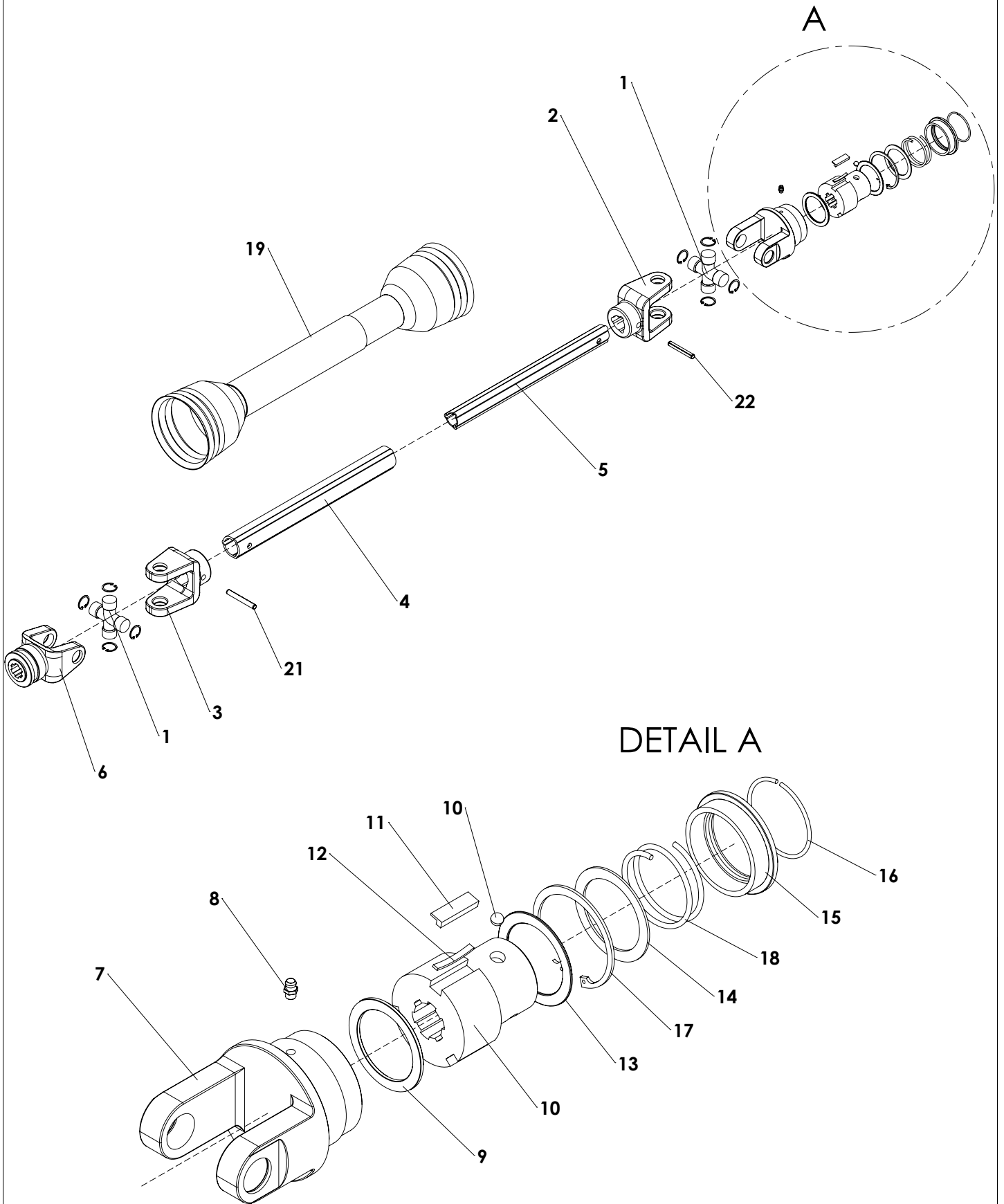
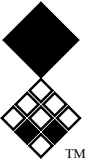
ITEM	PART NUMBER	DESCRIPTION	REMARKS	QUA TT3000	QUA TT2300
1	468.082.800	Brush bearing plate		2	2
2	468.041.300	Spacer bearing		2	2
3	741.300.352	Bearing PME 30-N		2	2
4	478.061.200	Extention tube grease nipple		1	1
5	880.060.100	Grease nipple M6 DIN 71412A		2	2
6	488.139.164	Brush rotor 1400	TT2300	0	1
	488.139.206	Brush rotor 1800	TT3000	1	0
7	486.171.460	Brush	TT2300	0	4
	486.171.860	Brush	TT3000	4	0
8	648.302.517	Taperlock 2517 - 30mm		1	1
9	884.080.450	Key 8x7x45 - DIN 6885		1	1
10	648.352.012	Taperlock 2012 - 35mm	For use on gearbox output	1	1
11	816.100.352	Bolt M10 x 35 - DIN 7991		4	4
12	830.100.100	Self Lock Nut M10 - ISO 10511		8	8
13	866.100.020	Spring Washer M10 - DIN 127		4	4
14	804.100.350	Bolt M10 x 35 - ISO 4017		4	4
15	864.060.031	Large washer M6 - DIN 9021		48	48
16	802.060.750	Bolt M6 x 75 - ISO 4014		24	24
17	830.060.060	Self Lock Nut M6 - ISO 10511		24	24
	241.140.000	Brush kit complete TT2300	TT2300		
	241.180.002	Brush kit complete TT3000	TT3000		



ITEM	PART NUMBER	DESCRIPTION	REMARKS	QUA
1	478.166.285	Base Wheel fork deep		1
2	470.083.202	Rotating wheel fork		1
3	404.200.390	Distance bush Ø30/Ø20,2 L=39,3		2
4	416.203.260	Wheel shaft		1
5	511.325.135	Wheel AGRI 31 - 13x5.00-6		2
6	424.060.480	Lock pin		1
7	404.200.840	Inner Bush		1
8	804.100.250	Bolt M10 x 25 - ISO 4017		1
9	864.100.031	Large washer M10 - DIN 9021		1
10	880.060.100	Grease nipple M6 DIN 71412A		1
11	523.100.570	Linch Pin d10		1
12	406.380.050	Distance bush 5mm		2
13	406.380.100	Distance bush 10mm		12
14	804.100.250	Bolt M12 x 30 - ISO 4017		4
15	830.120.120	Self Lock Nut M12 - ISO 10511		4
	241.180.016	Caster wheel kit	Kit contains 2x item 1 - 15	

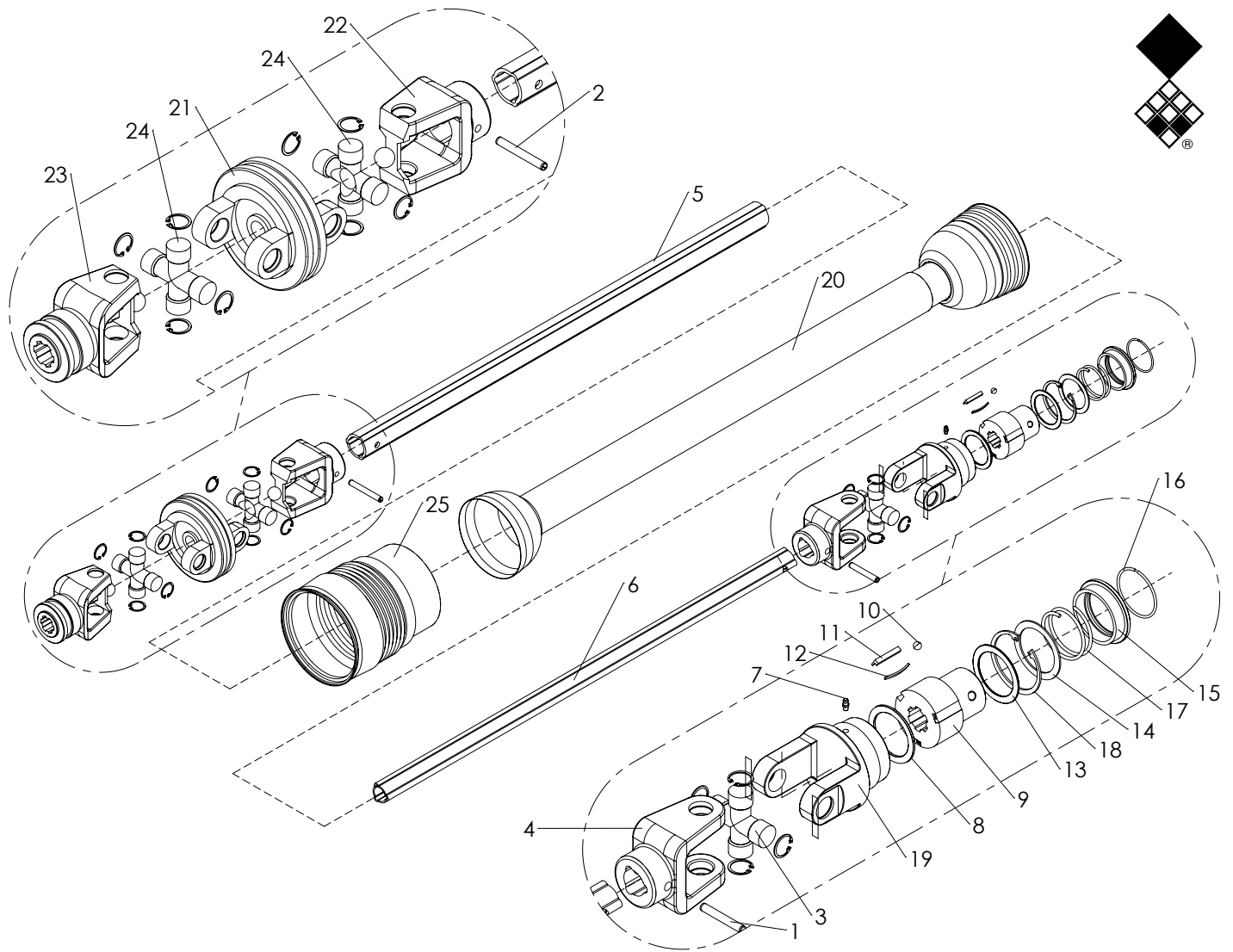


ITEM	PART NUMBER	DESCRIPTION	REMARKS	QUA TT3000
1	519.050.450	Wheel shaft 5xM16 50x50 L=450		1
2	511.660.305	Wheel 26x12 inch complete		2
3	844.160.160	Wheel Nut M16		10
	241.180.006	Dual Wheel kit	TT3000 ONLY Kit contains 2x item 1 - 3	





ITEM	PART NUMBER	DESCRIPTION	REMARKS	QUA
1	180016130	Cross and 4x circlip kit		2
2	151016029	Inner tube yoke type 60		1
3	151016028	Outer tube yoke type 60		1
4	153160150	T60-series Outer tube		1
5	1521604750700	T60-series Inner tube		1
6	141026544	Complete collar yoke type 60		1
7	141026210	Yoke support R type 60		1
8	880.060.100	Grease nipple M6 DIN 71412A		1
9	190000199	Retaining washer		1
10	190000078	Ball		3
11	151014136	Ratchet		3
12	180014137	Leaf spring		3
13	180014135	Retaining ring washer		1
14	180015143	Spring push ring		1
15	151016486	Sliding sleeve collar		1
16	190000451	Snap ring		1
17	872.082.250	Circlip D=82 - DIN 472		1
18	180016487	Collar spring		1
19	1423600039650	Complete guard 60-series		1
21	19000018	Outer roll pin		1
22	19000016	Inner roll pin		1
	145265011	Overrunning clutch type 60 complete	item 7-19	
	613.809.400	PTO complete T60 with overrunning clutch		



ITEM	PART NUMBER	DESCRIPTION	REMARKS	QUA
1	19000016	Inner roll pin		1
2	19000018	Outer roll pin		1
3	180016130	Cross and 4x circlip kit		1
4	151016029	Inner tube yoke type 60		1
5	1521605357800	T60-series Outer tube		1
6	159160834	T60-series Inner tube		1
7	880.060.100	Grease nipple M6 DIN 71412A		1
8	190000199	Retaining washer		1
9	151016546	Hub R12		1
10	190000078	Ball		3
11	151014136	Ratchet		3
12	180014137	Leaf spring		3
13	180014135	Retaining ring washer		1
14	180015143	Spring push ring		1
15	151016486	Sliding sleeve collar		1
16	190000451	Snap ring		1
17	180016487	Collar spring		1
18	872.082.250	Circlip D=82 - DIN 472		1
19	141026210	Yoke support R type 60		1
20	1427615163650	Complete guard 60-series		1
21	141026224	Double yoke T60		1
22	141026229	Outer tube yoke type 60 WA		1
23	141026503	Complete collar yoke type 60 WA		1
24	180016228	Cross and 4x circlip kit WA		2
25	180026611	Protection cover wide angle		1
	145265011	Overrunning clutch type 60 complete		
	613.809.402	PTO T60 Wide angle / Overrunning clutch		