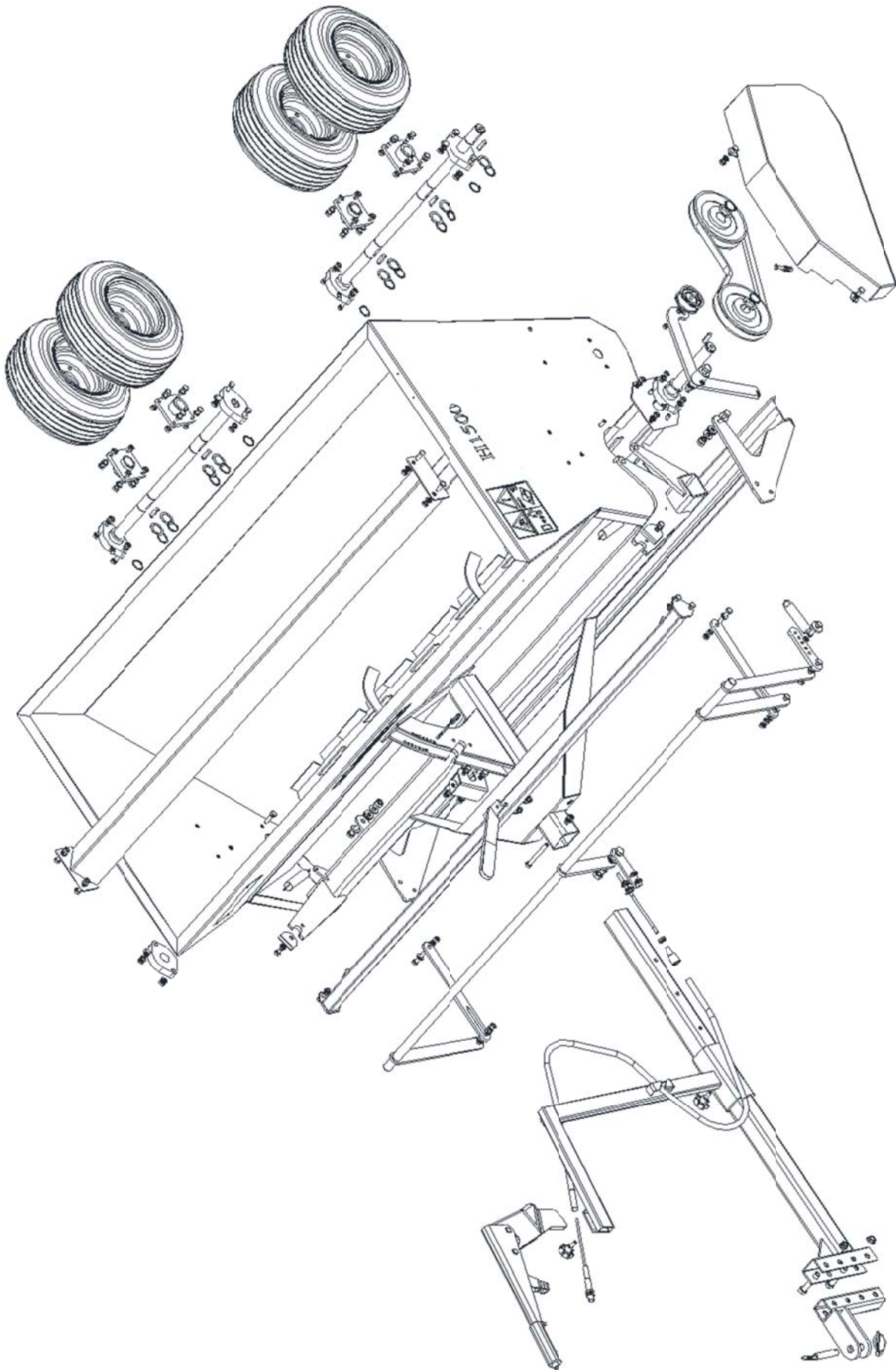


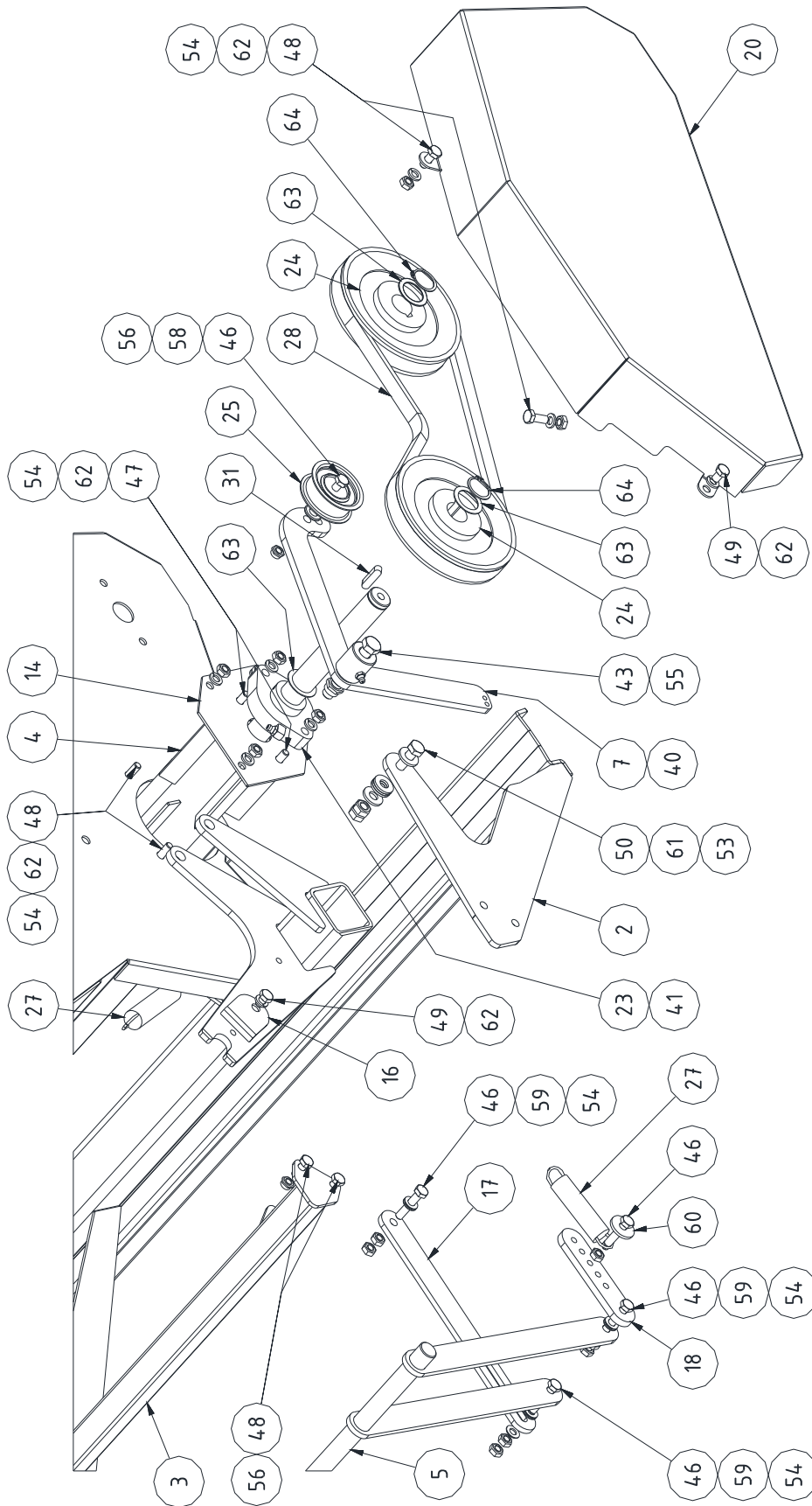
Parts manual

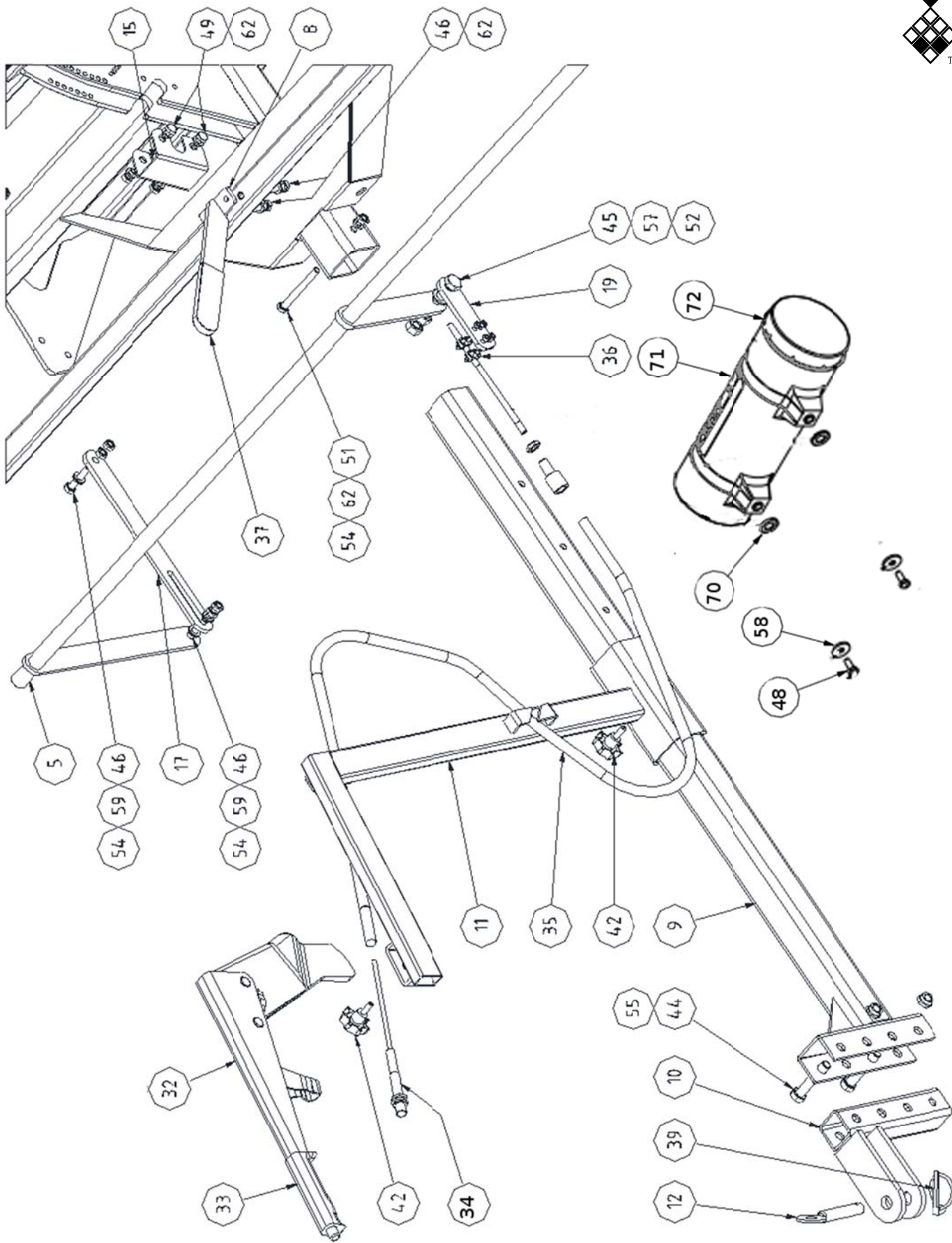


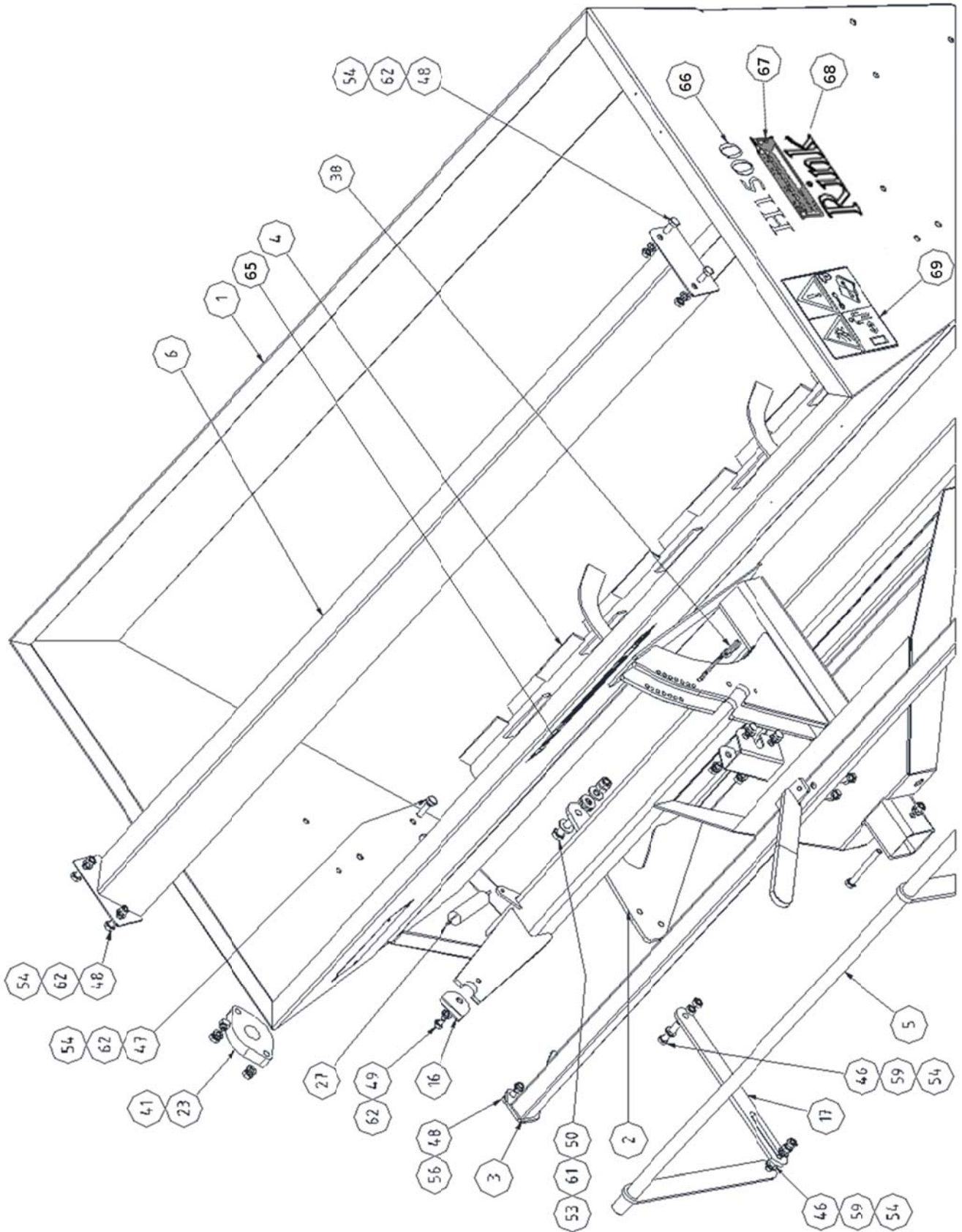
To make sure you will get the right parts you need to give the next information with your parts order:

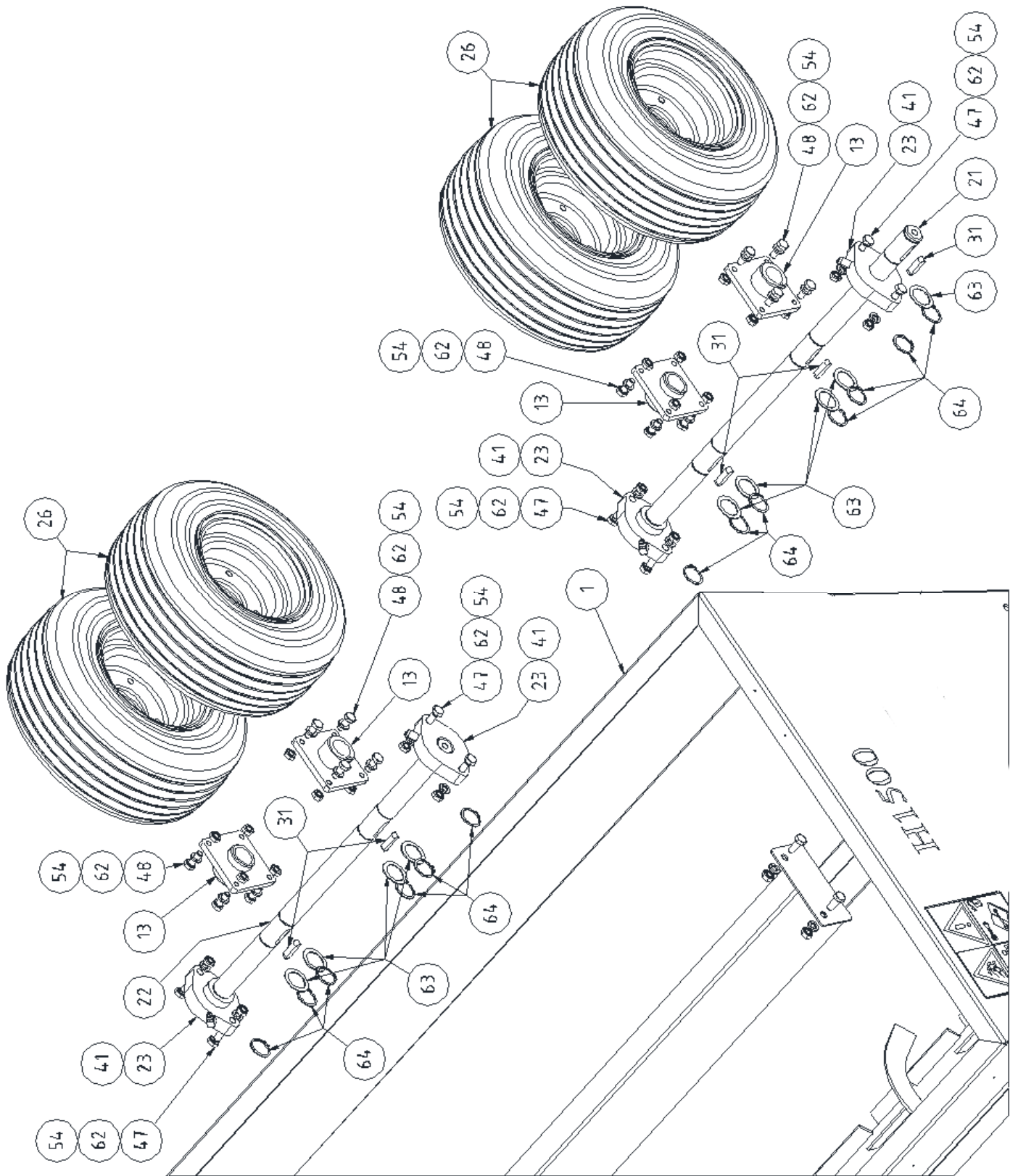
- **Serial number**
- **Year of production if possible**
- **Part number**
- **Description**





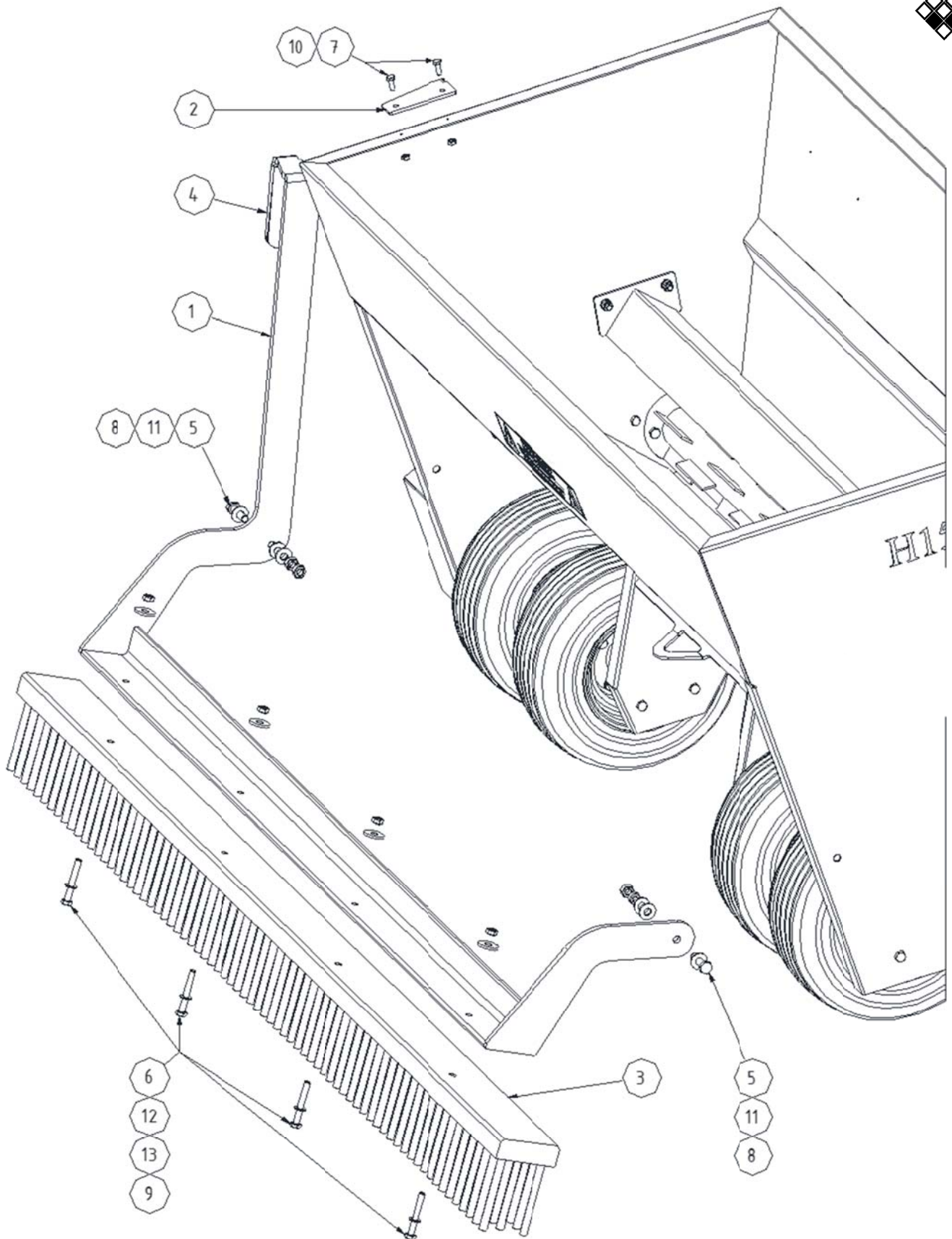






Redexim Rink H1500		Page 01 A/B/C/D	Code 1703	
	PART NO.	DESCRIPTION	REMARKS	QUA
1	RGS16957	Hopper		1
2	RGS16958	Plate		1
3	RGS16959	Bar		1
4	RGS16961	Scatter plate		1
5	RGS16962	Lever Bar		1
6	RGS16963	Sand pressure relieve plate		1
7	RGS16967	Tensioner		1
8	RGS16972	Handle		1
9	RGS16819	Tow bar		1
10	RGS16818	Pulling eye		1
11	RGS17019	Mounting bar		1
12	RGS16673	Pin		1
13	RGS16730	Bearing block		4
14	RGS16965	Side panel		1
15	RGS16968	Centering bracket		1
16	RGS16969	Bracket		2
17	RGS16970	Push/pull rod		2
18	RGS16971	Springlever		1
19	RGS11158	Cable mounting bracket		1
20	RGS16966	Cover		1
21	RGS16964	Driveshaft		1
22	RGS17015	Wheelshaft		1
23	RGS10594	Bearing 205		6
24	RGS16740	V-belt pulley 140 mm		2
25	RGS11124	Pulley		1
26	RGS10818	Wheel		4
27	RGS11019	Spring		3
28	RGS17003	V-belt		1
31	RGS11000	Forelock 8x7x30		6
32	RGS11007	Clutch control complete		1
33	RGS11022	Lever	For clutch control	1
34	RGS11133	Inner cable	For clutch control	1
35	RGS11134	Cable cover	For clutch control	1
36	RGS10490	Cable clamp		2
37	RGS10267	Handle cover		1
38	523.051.000	R-Clip Ø5		1
39	523.060.320	Linch pin		1
40	880.080.100	Grease nipple M8		1
41	880.060.102	Grease nipple M6 90 deg		6
42	836.080.400	Knurled knob M8x40		2
43	802.120.800	Hex bolt M12x80		1
44	802.120.600	Hex bolt M12x60		2
45	802.120.400	Hex bolt M12x40		1
46	804.080.400	Hex bolt M8x40		9
47	804.080.300	Hex bolt M8x30		12
48	804.080.200	Hex bolt M8x20		31
49	804.080.120	Hex bolt M8x12		7
50	804.100.400	Hex bolt M10x40		2
51	802.080.750	Hex bolt M8x75		1
52	826.120.120	Hex nut M12		2
53	826.100.100	Hex nut M10		4
54	826.080.080	Hex nut M8		49
55	830.120.120	Selflocknut M12		3

	PART NO.	DESCRIPTION	REMARKS	QUA
56	830.080.080	Selflocknut M8		5
57	864.120.031	Large washer M12		2
58	864.080.031	Large washer M8		3
59	864.080.030	Washer M8		12
60	864.100.031	Large washer M10		1
61	RGS 10054	Belleville washer M8		10
62	866.080.020	Spring washer M8		47
63	RGS10216	Shim Ø25x1		13
64	870.025.120	Circlip Ø25		15
65	RGS10505	Decall Safety hopper		2
66	933.260.430	Label H1500		2
67	900.260.403	Decall Redexim logo		2
68	933.260.402	Decall Rink		2
69	933.280.402	Safety decall Rink		2
70	864.140.030	Washer M14		2
71	900.280.402	Safety decall manual		1
72	444.803.100	Manual/Toolbox		1



Redexim Rink H1500 Optional rear brush

Page 02

Code 1703

	PART NO.	DESCRIPTION	REMARKS	QUA
1	RGS17014	Brush lever complete		1
2	RGS17011	Limitation plate		1
3	RGS11141	Brush 1800		1
4	RGS10267	Handle cover		1
5	802.100.400	Hex bolt M10x40		2
6	802.080.600	Hex bolt M8x60		4
7	804.060.160	Hex bolt M6x16		2
8	826.100.100	Hex nut M10		4
9	830.080.080	Self lock nut M8		4
10	830.060.060	Self lock nut M6		2
11	RGS10054	Belleville washer M8		6
12	864.080.030	Washer M8		4
13	864.080.031	Large washer M8		4
	RGS17016	Rear brush complete		