

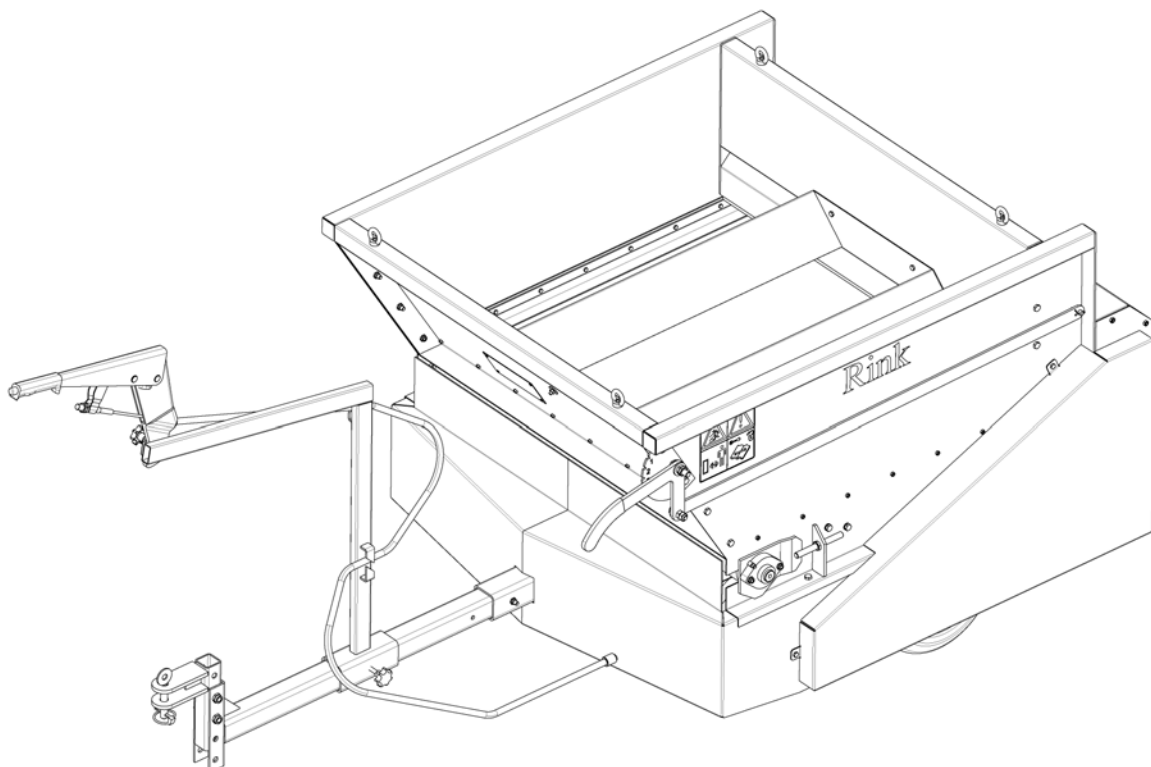
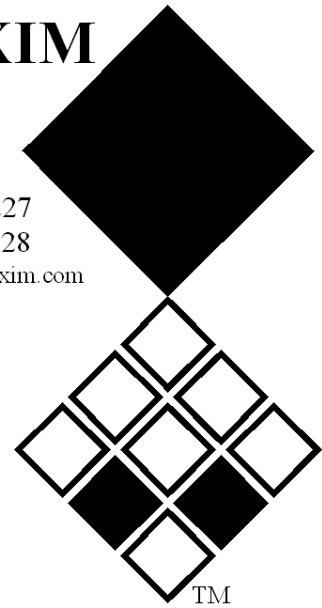
# User Manual and Spare Parts List

## TB 950

### Serial Number:

# REDEXIM

Kwekerijweg 8  
3709 JA Zeist  
the Netherlands  
T: (31)30 6933227  
F: (31)30 6933228  
E: [verti-drain@redexim.com](mailto:verti-drain@redexim.com)  
[www.redexim.com](http://www.redexim.com)



English 933.094.410

## TABLE OF CONTENTS

Contents	Page
Safety regulations .....	3
Short description.....	5
Technical features.....	5
Operation .....	6
* Attaching the Machine .....	6
* Before each ride .....	7
* Loading.....	7
* After the first ride with a load.....	7
* Dressing .....	8
* Setting of dressing density.....	9
* Conversion from four-wheel drive to two-wheel drive.....	10
Care and Maintenance .....	11
* Greasing of the dresser with multi-purpose grease (every 50 operating hours).....	11
* Setting of the brush roller distance (if necessary).....	12
* Conveyor belt tightening (when slipping).....	13
* Removal of the dresser from the chassis .....	14
* Replacing the brush roller .....	15
* Replacing the conveyor belt.....	16
* Conveyor belt tightening after mounting .....	17
* Chain tightening .....	18
* V-belt tightening .....	19
* Trouble Shooting (Problem analysis).....	20
Spare Parts .....	20
* Ordering Spare Parts.....	21
* Drawings and spare parts list.....	21
Declaration of conformity.....	207

Technical Changes Reserved



## SAFETY REGULATIONS



- (1) The **Topdresser TB950** is manufactured exclusively for the application of fine grained, loose dressing material such as sand, grit, granulate or similar materials.

Any other use is considered improper. The manufacturer is not liable for damages resulting from improper use; the risk lies entirely with the user.

Usage in line with the regulations includes compliance with the manufacturer's instructions for operation, maintenance and repair.

- (2) The dresser is built in accordance with the latest technology and is reliable; however, the dresser can entail danger to life or physical harm to the user or third parties if not used, maintained or repaired by persons who are familiar with it and aware of the dangers.
- (3) Any person on behalf the user's company who is responsible for the operation, the maintenance or the repair of the dresser, must have read and understood the user manual and particularly the chapter **on Safety Regulations**.

The use, maintenance or repair of the machine by unauthorized persons entails dangers to life or physical harm to the user or third parties. **This must be avoided!**

Please use only the manufacturer's original spare parts for repair.

In addition to the recommendations in this manual, the **general safety and accident prevention regulations** must be observed.

Driving on public roads with this vehicle is subject to the relevant traffic provisions.

Transporting passengers in this vehicle is forbidden!

- (4) The operator is obligated to check the dresser before each start up to detect any damages and defects. Any changes to the dresser (including performance) affecting its safety must be immediately repaired. In principal, no modifications or changes to the dresser (unless approved by the manufacturer) are permitted at the expense of safety.



## SAFETY REGULATIONS



- (5) The user is **obligated, to check** the **Topdresser TB950** before start up for **any visible damages and defects**. Changes to the **Topdresser TB950** (including operation), which may adversely affect safety, must be remedied immediately. For safety reasons, it is absolutely prohibited to make changes or additions to the **Topdresser TB950** (except changes / additions approved by the manufacturer). If modifications are made to the **Topdresser TB950**, the CE-label, which is currently valid for the machine, loses its validity and can only be renewed by the person who made these modifications.

Before moving the dresser, please make sure the immediate vicinity around it is free of obstacles and that your view is unobstructed.

- (6) **It is prohibited to enter the loading bridge when the dressing facility is running.** A notice to that effect is affixed to the board on both sides of the dresser. This notice must always be legible and must be replaced if damaged (see list of spare parts).
- (7) During operation, no one is allowed within the danger zone of the dresser due to risk of injury from rotating parts and ejected debris.
- (8) Pay attention to appropriate clothing. Wear sturdy shoes with steel toecaps and long trousers. Long hair must be pinned back. Do not wear loose clothing. Use appropriate personal protective equipment in accordance with the valid occupational health and safety regulations.

Always wear certified hearing protection when you work with this machine (see illustration).



- (9) Adjustments and repair work to the axis (wheel bearing, tires) may be carried out by authorized personnel only.
- (10) In the immediate vicinity of the brush cylinder at the **Topdresser TB950** there is a noise level of 74 dB (a).

## SHORT DESCRIPTION

The **Topdresser TB950** is manufactured exclusively for the application of fine grained, loose dressing material such as sand, grit, granulate or similar materials. The dressing device of the Topdresser is driven by V-belts and chains. The dressing rate is controlled by a mechanical slide. Thus, the dressing material can be applied accurately. Dressing density or dressing rate can be determined by the driving speed and slide opening.

## TECHNICAL FEATURES

<b>Dimensions</b>	<b>TB950</b>
Length	2.15 m
Width	1.08 m
Height	1.28 m
<b>Loading amount</b>	330 l
<b>Working width</b>	0.95 m
<b>Weight</b>	195 kg
<b>Dressing width</b>	0.95 m
<b>Tires</b>	4 x wheels 13x6.50-6 4PR
<b>Tire pressure</b>	1.50 – 1.75 bar
<b>Dressing amount</b>	can be controlled via slide

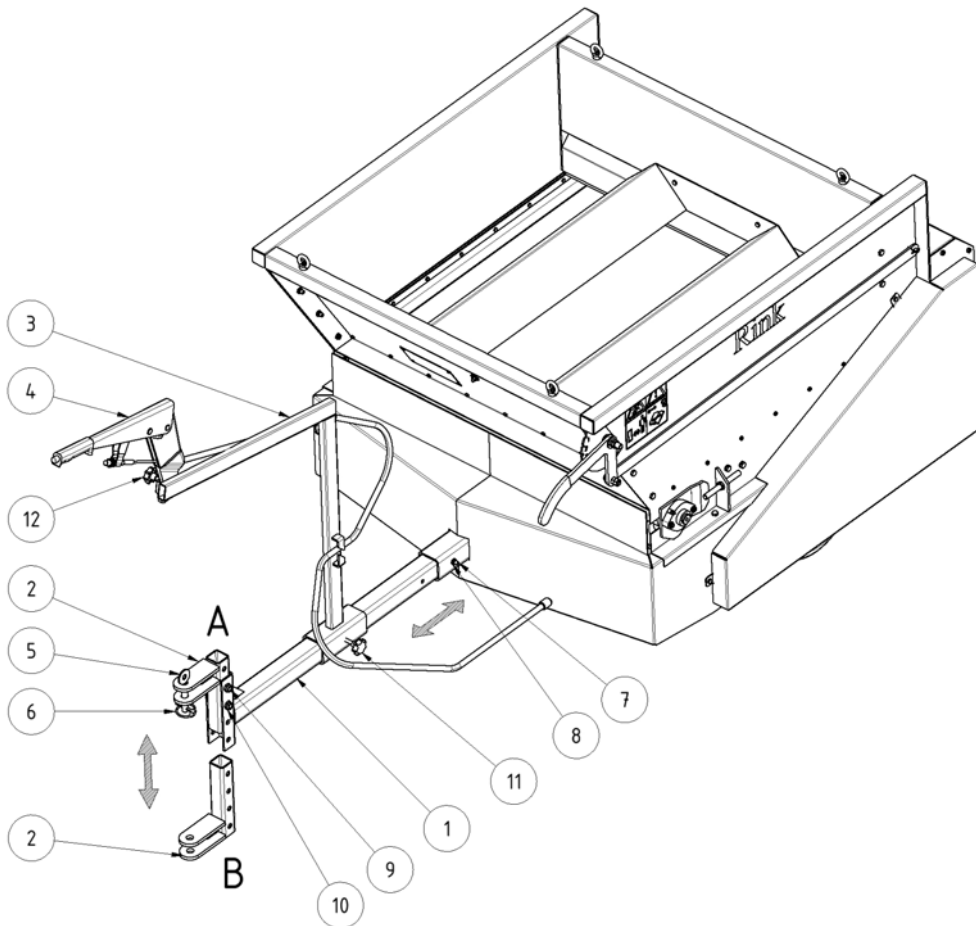
**The type label is affixed on the right front of the dresser**

# OPERATION

## Attaching the Machine

The drawbar (1) of the dresser can be adjusted to the drawing vehicle. Please make sure the dresser stands as parallel as possible to the ground. The length of the drawbar (1) can be adjusted by loosening the screws (7) and the screw nut (8). The fork of the drawing vehicle (2) can be adjusted to the height of the drawing vehicle by loosening of the screws (9) and screw nuts (10) and its bearings (A, B).

- In order to attach the machine, remove bolt (5) and locking pin (6). Secure again with these parts after attaching the machine.
- By loosening the star handle (11), the holder of the cable pull (3) can be adjusted accurately.
- The lever brake (4) can also be attached to the drawing vehicle. For this purpose, please loosen the star handle (12) and attach the lever brake to the drawing vehicle. Tighten the star handle.
- To uncouple, fasten the lever brake again with the star handle.



# OPERATION

## Before each ride

- Check dresser for obvious damages, repair damages.
- Check tire-pressure.
- Check the track of the conveyor belt and adjust if necessary. The conveyor belt should not rub on either side.

## Loading

- Observe the desired maximal ground pressure.
- Pay attention to the overall weight.

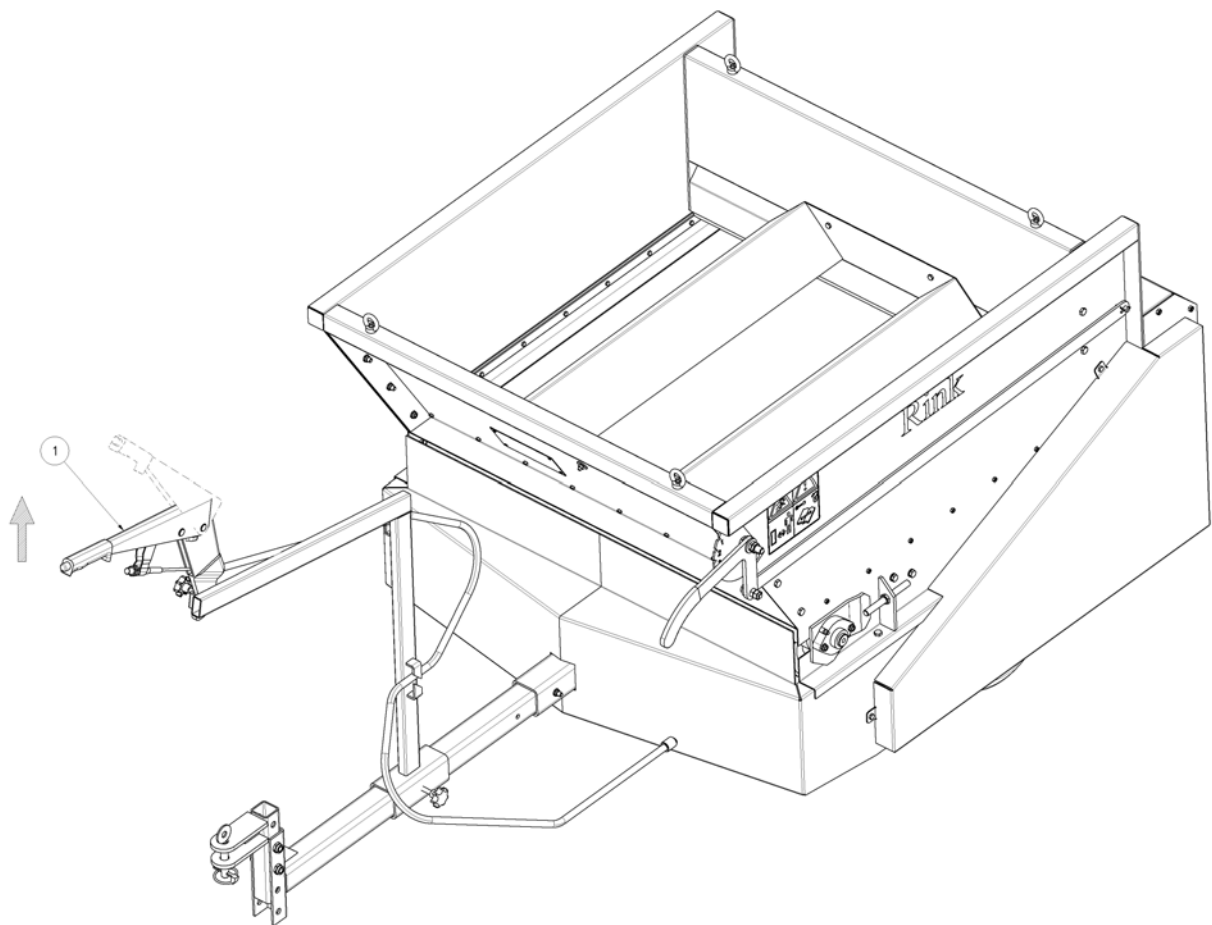
## After the first ride with a load

- Tighten the screw nuts of the wheels.
- Check the wheel hub tolerance and have it adjusted, if necessary.
- Check the tension of the chains and the v-belts.

## OPERATION

### Dressing

- Controls



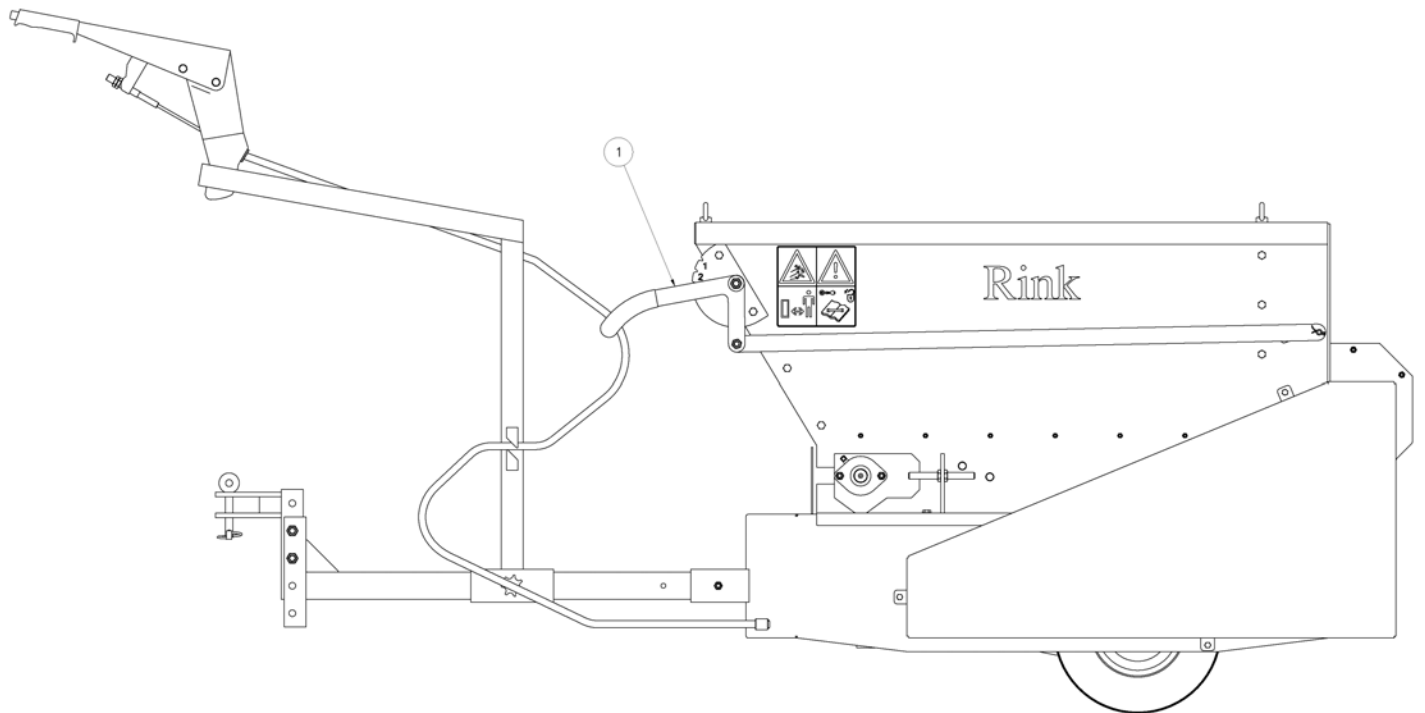
Lever (1) is for switching on the conveyor belt and brush. In the lower position, the lever brake is completely loose; there is no drive on the conveyor belt and brush.



## Setting of dressing density

The dressing density (mm) depends on

- Driving speed
- Slide opening (1)



Please set the desired dressing density on firm ground before starting work.

## OPERATION

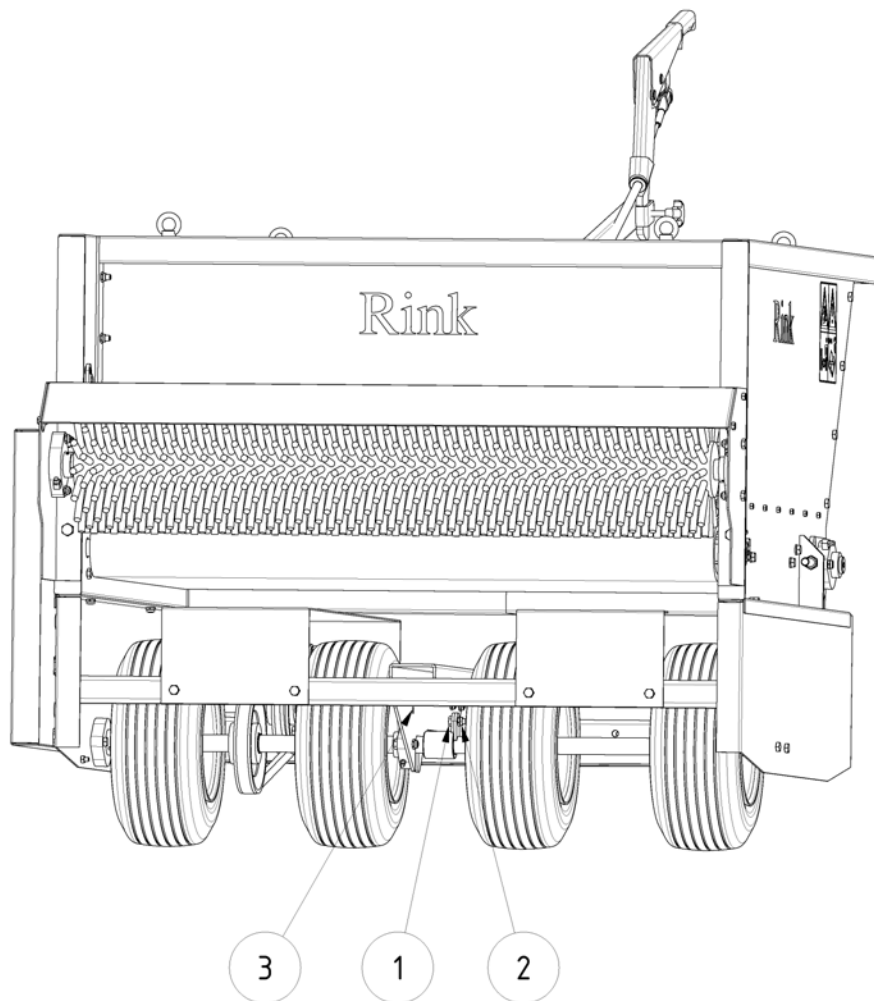
### Conversion from four-wheel drive to two-wheel drive

At delivery, the machine TB950 is adjusted to four-wheel drive. In order to switch to two-wheel drive, carry out the following:

- Loosen the screw (1) and the screw nut (2) and fix both parts into the drill hole (3).

This step separates the connection of the axle drive shaft. Therefore, there is the possibility of driving with two-wheel drive, depending on the ground and the quality of the soil.

For four-wheel drive, the straps of both shafts must be connected to the screw (1) and the screw nut (2).

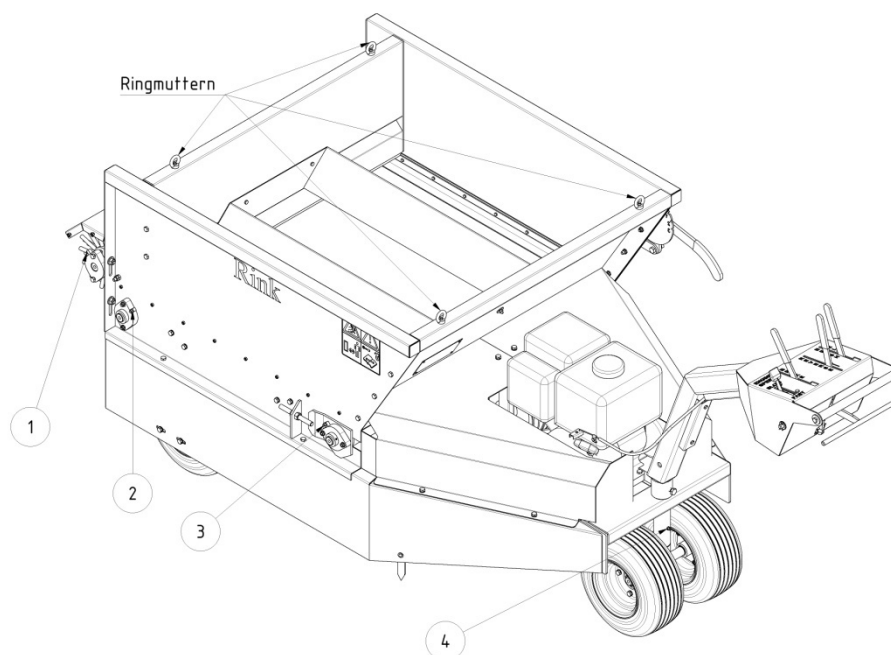


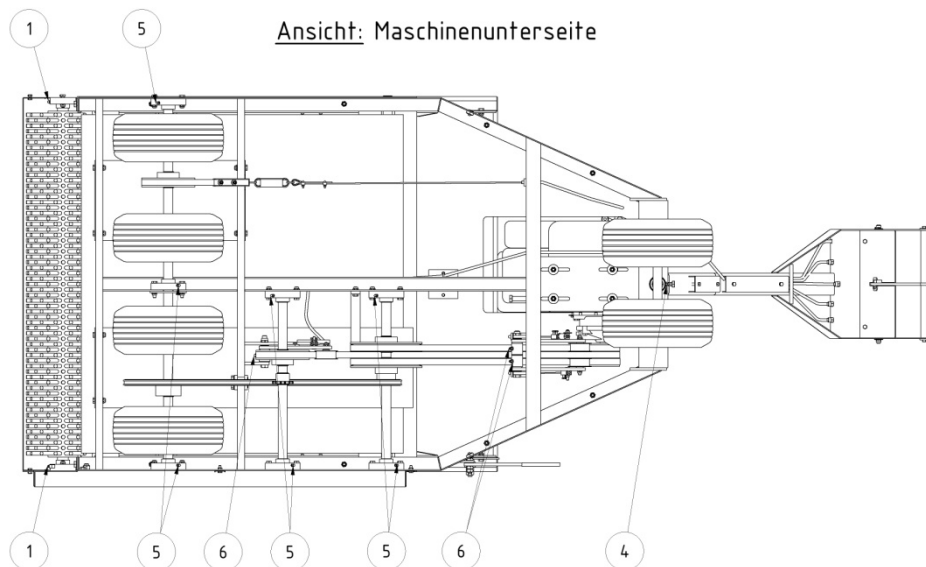
## CARE and MAINTENANCE

### Greasing of the dresser with multi-purpose grease (every 50 operating hours)

- 1 Bearings on both sides of the brush roller
- 2 Bearings on both sides of the rear drive roll
- 3 Bearings on both sides of the front tension roll
- 4 Bearing on the drive shafts
- 5 Bearing at the belt tightener

*For bearings 4, 5 tilt or raise the machine with the help of the ring nuts.*

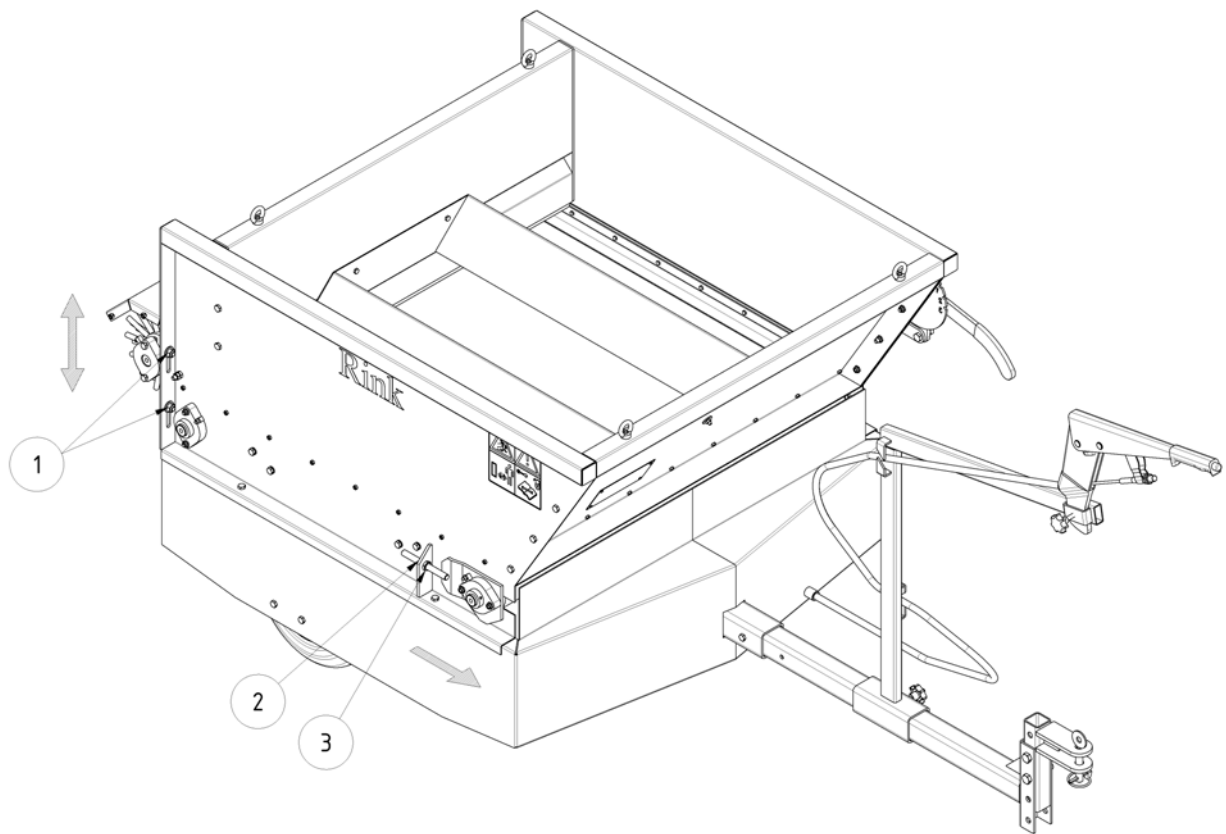




## CARE and MAINTENANCE

### Setting of the brush roller distance (if necessary)

- Loosen two screws (1) on both sides of the brush roller.
- Slide the brush roller down until the brush roller touches the conveyor belt slightly.
- Tighten the screws (1).



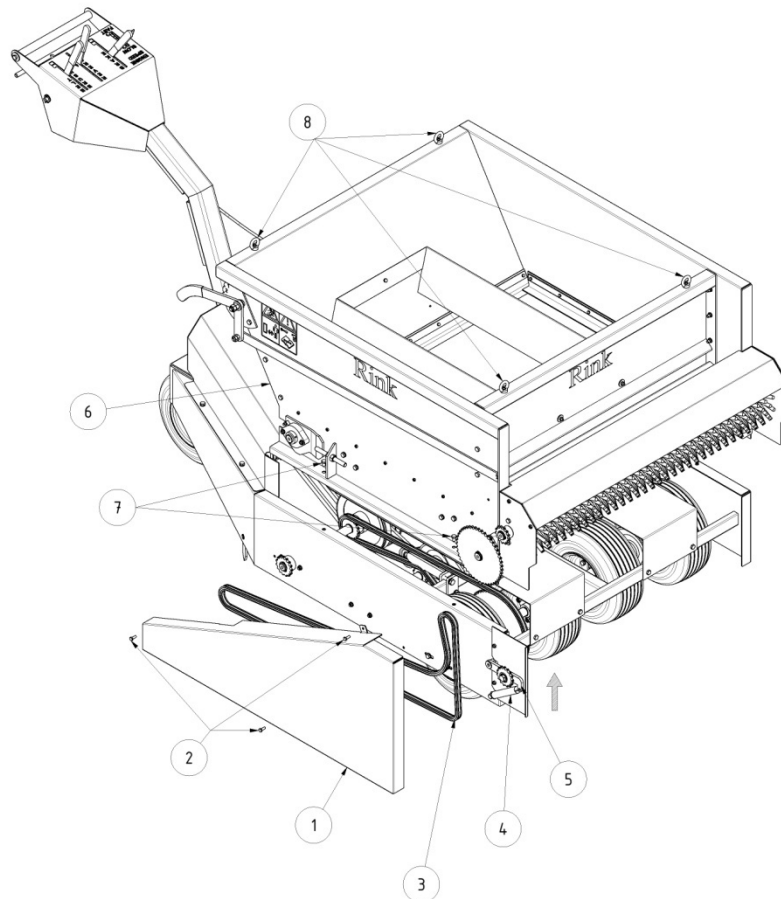
### **Conveyor belt tightening (when slipping)**

- Loosen the counter nut (2).
- Tighten the nut (3) evenly on both sides in a clockwise half turn and check to see if the conveyor belt is running. Repeat if necessary.
- Tighten the counter nut (2).

**Excessive tightening shortens the life of the conveyor belt.**

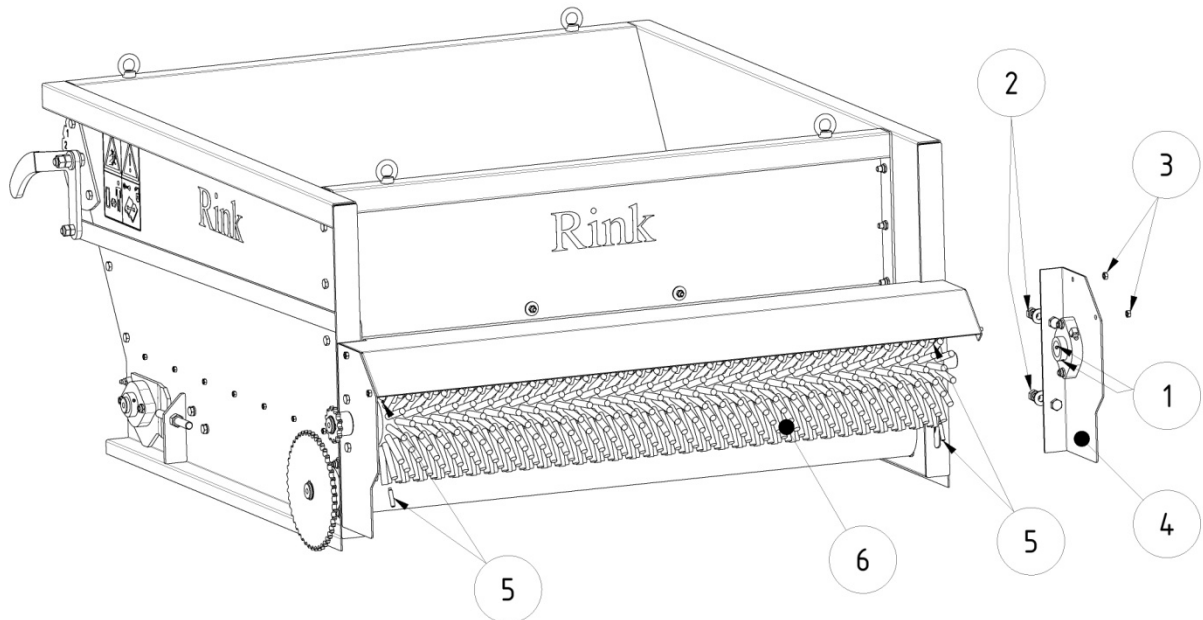
## Removal of the dresser from the chassis

For demounting and mounting of the conveyor belt and for possible maintenance work on the chassis, it is necessary to remove the dresser from the chassis.



- Remove the protective cover (1) by loosening the screws (2).
- Remove the chain (3) by pushing the chain tightener (5) through the tension spring (4) upwards in the direction of the arrow.
- Loosen the dresser (6) by removing the screws (7) on both sides.
- Affix the whole dresser (6) on the ring nuts (8) and lift it. Place the dresser on a wooden pallet or another secure surface.

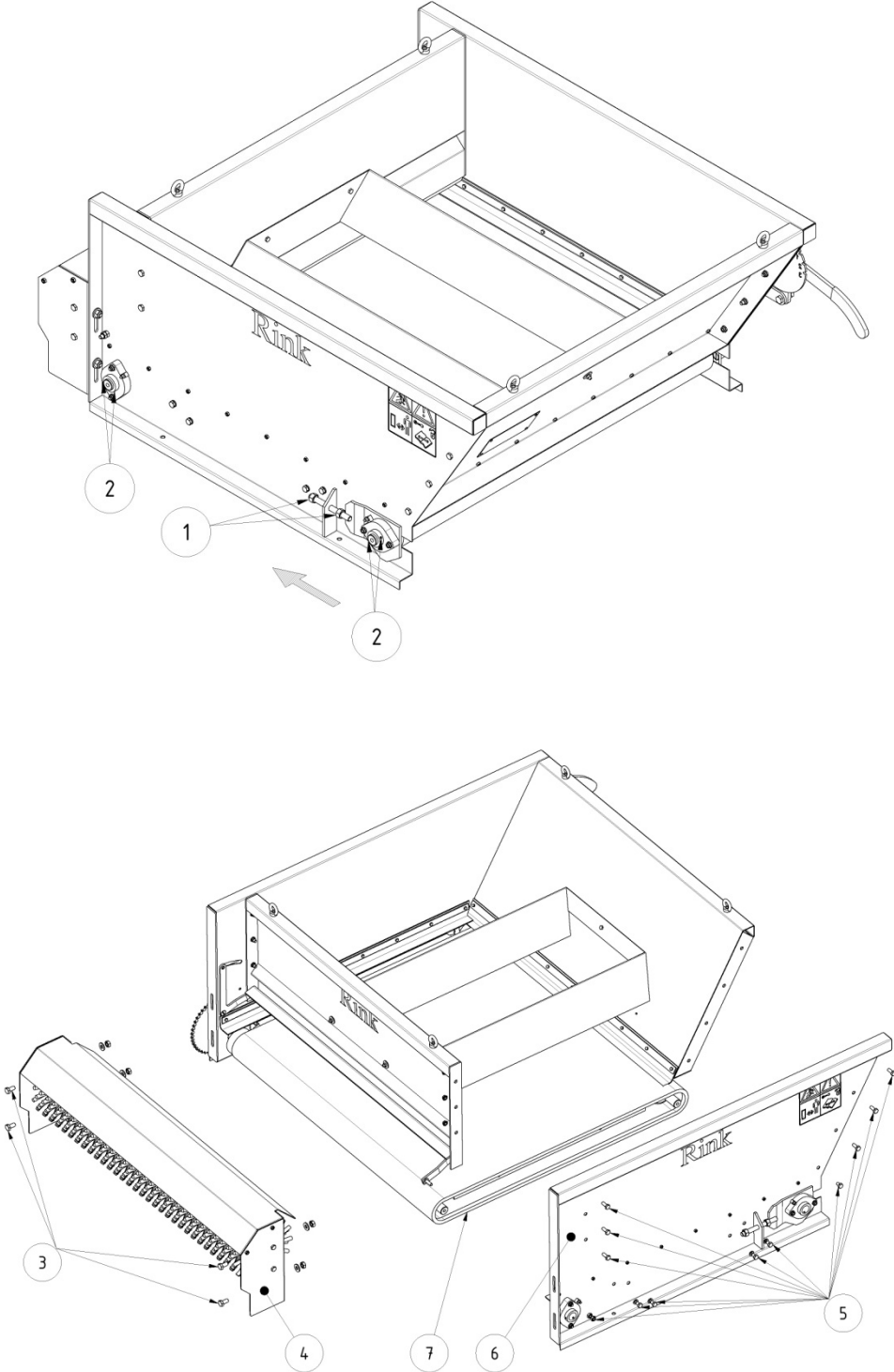
## Replacing the brush roller



The brush roller (6) consists of 10 individual segments, which are interlinked. Both outer segments are secured on the shaft, each with three grub screws (5). To replace the brush roller proceed as follows:

- Loosen the grub screws (1) of the brush bearing on the right side.
- Loosen and remove the screws (2, 3) of the right brush bearing holder (4).
- Remove the right brush bearing holder (4).
- Remove the grub screws (5) on both sides of the brush roller (6).
- Detach all the brush segments to the right. Please pay attention to the correct order and arrangement of the brush segments.
- Slide the new brush segments back onto the brush shaft. Pay attention to the first and last segment.
- Mount the brush bearing block (4) using the screws (2, 3).
- Tighten the grub screws (1) of the brush bearing.
- Center the brush in the middle and tighten it if necessary with a bar clamp so that the gearing interlocks fully.
- Remove the grub screws (5) from both outer segments of the new brush roller.
- Drill into the brush shaft with a **5 mm drill approximately 4 mm deep**.
- **Attention: You cannot use the holes of the old brush roller.**
- Tighten the grub screws (5) on both sides back into the brush roller.

# Replacing the conveyor belt





## Replacing the conveyor belt

- Loosen the nuts (1) and release the conveyor belt in the direction of the arrow.
- Loosen the grub screws of the bearings (2) towards the driving direction on the right.
- Remove the brush roller (4) by loosening the screws (3).
- Take off the right side panel (6) by removing the screws (5).
- Pull the conveyor belt (7) out to the right.

***Mounting is carried out in reverse order.***

## Conveyor belt tightening after mounting

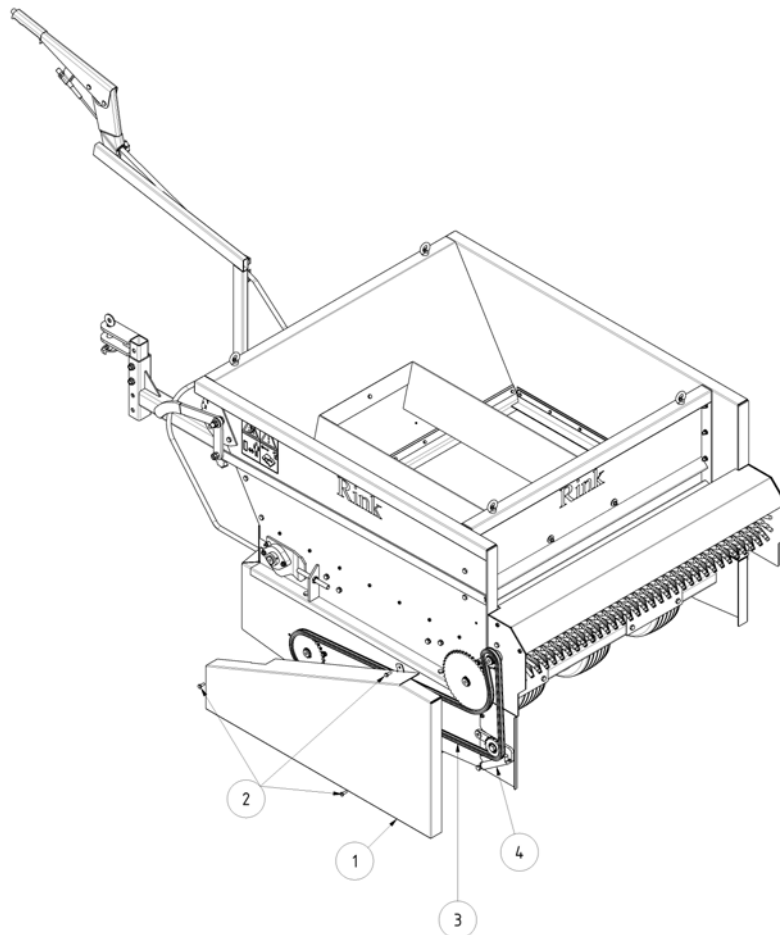
- Tighten the conveyor belt on both sides and evenly with the nuts (1), until the axle center-to-center distance of the front shaft to the rear shaft is 491 mm.
- Allow the conveyor belt to run for approximately 30 minutes until it is centered.
- When operating the machine after a conveyor belt replacement, a slippage of the conveyor belt can occur. If necessary, tighten the band again. Pay attention to uniform tightening on both sides (see conveyor belt tightening, page 10).



**The conveyor belt must not touch the sides. When readjusting the conveyor belt, tighten on the side on which the band touches.**

***Excessive tightening shortens the life of the conveyor belt.***

## Chain tightening



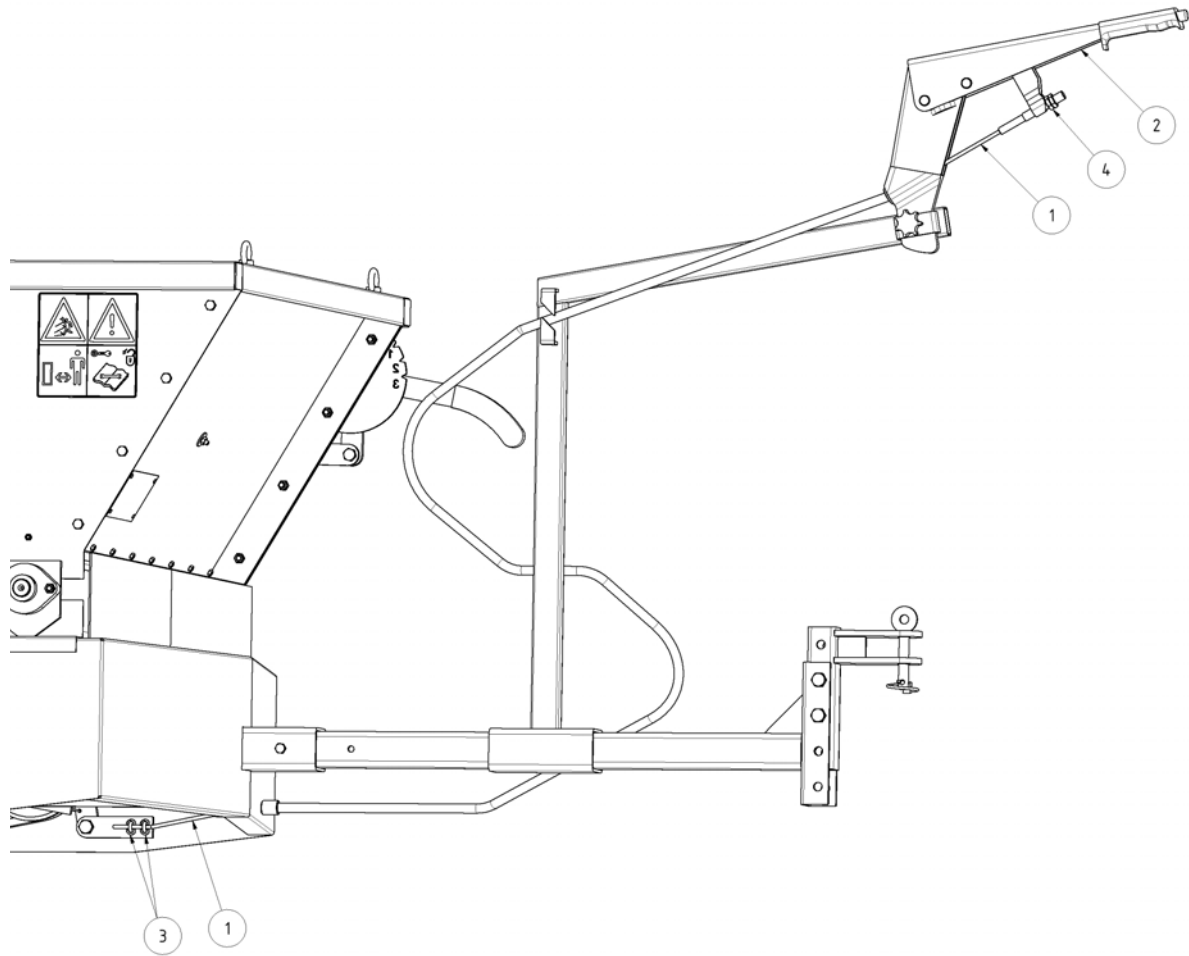
### 1. Chain for conveyor belt and brush drive (3)

- The chain is automatically tightened with the tension spring (4). Please check the pull of the spring regularly and replace it if necessary. For this purpose, please remove the cover (1) by loosening the screws (2).

### 2. Chain spraying (every 30 operating hours)

- Remove the cover (1) by loosening the screws (2).
- Spray the chain of the conveyor belt and the brush drive (3) and the chain of the traction drive (5) with **silicon or teflon spray**.
- Tighten the cover (1) with the screws (2).

## V-belt tightening



The v-belt can be tightened with the cable pull (1) and the lever brake (2).

- Loosen the cable clips (3).
- Tighten the cable pull (1) and tighten the cable clips (3).
- A fine adjustment is possible by turning the screw nut (4) at the lever brake (2).



**Attention:** If the lever brake (2) is not loosened entirely, it will cause a permanent drive on the conveyor belt and the brush. In such event, loosen the lever brake (2) entirely (see page 8).

## Trouble Shooting (Problem analysis)

<b><i>Problem</i></b>	<b><i>Cause</i></b>	<b><i>Solution</i></b>
Slide does not open	Fastening elements too tight	Loosen fastening elements
	Slider is jammed	Check slide opening
There is no material coming out of the machine	Slide is closed	Check and open slide (see page 8)
	Drive is not switched on	Check control lever (see page 7)
	Conveyor belt is slipping	Tighten conveyor belt (see page 10)
Band and brush rotate in empty state	Lever brake is not entirely loose.	Loosen lever brake entirely (see page 8).
Conveyor belt is slipping	Conveyor belt not tight enough	Tighten conveyor belt (see page 12)
	Machine is overloaded	Do not overload the machine
Conveyor belt and brush roller do not rotate	The cable pull of the lever brake is not firmly enough adjusted.	Increase V-belt tightening (see page 18)

## SPARE PARTS

### Ordering Spare Parts

Large area dresser  
Topdresser TB 950

In order to quickly process your spare parts order, please indicate the following data in your order.

- Chassis number and/or identity number
- Construction year (if available)
- Part number from the spare parts list
- Name
- Order number

Sample order:	529413	1994	13	Conveyor belt	10524
	Chassis number	Construction year	Part number	Name	Order number