

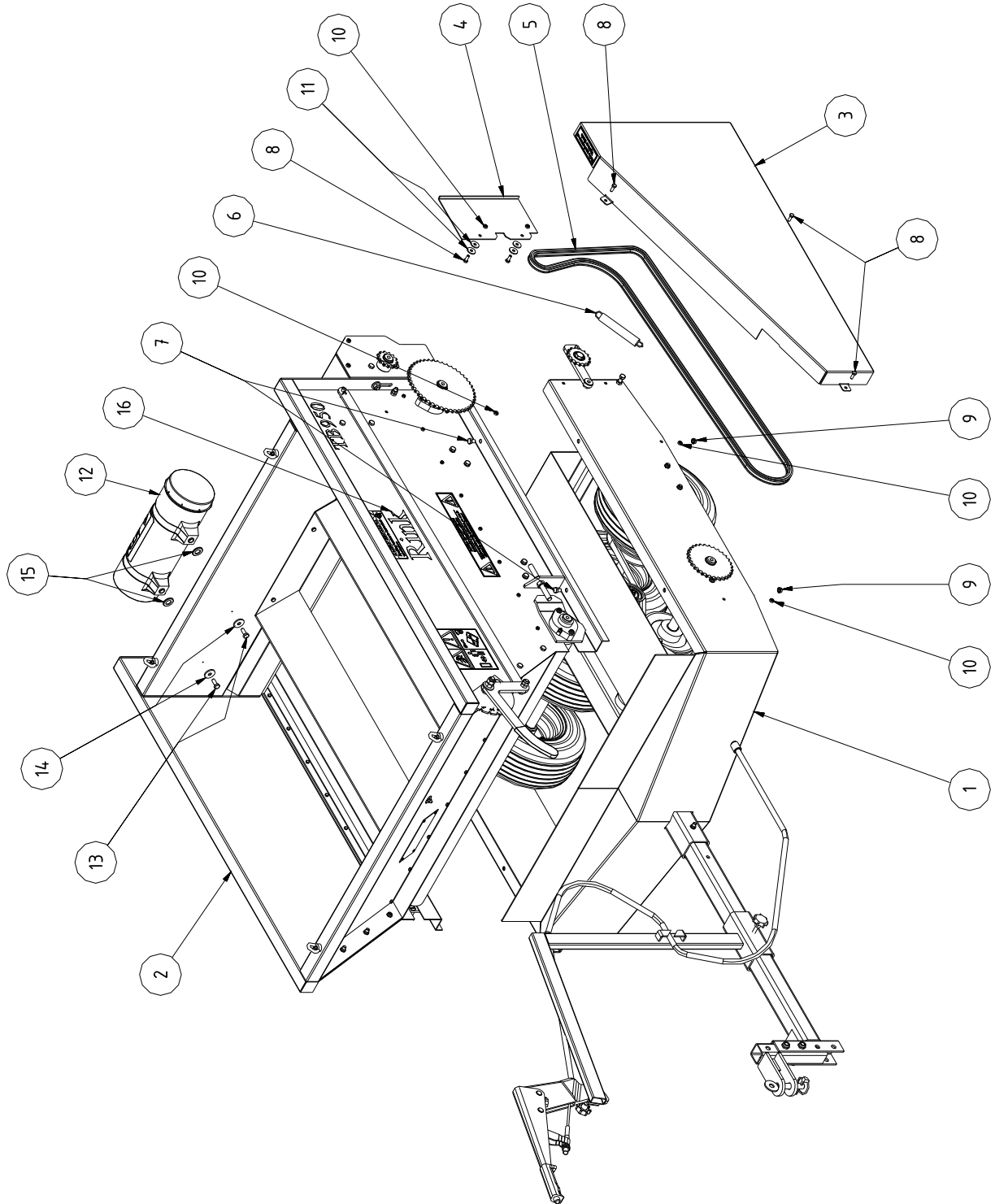
Parts manual

RINK TB950



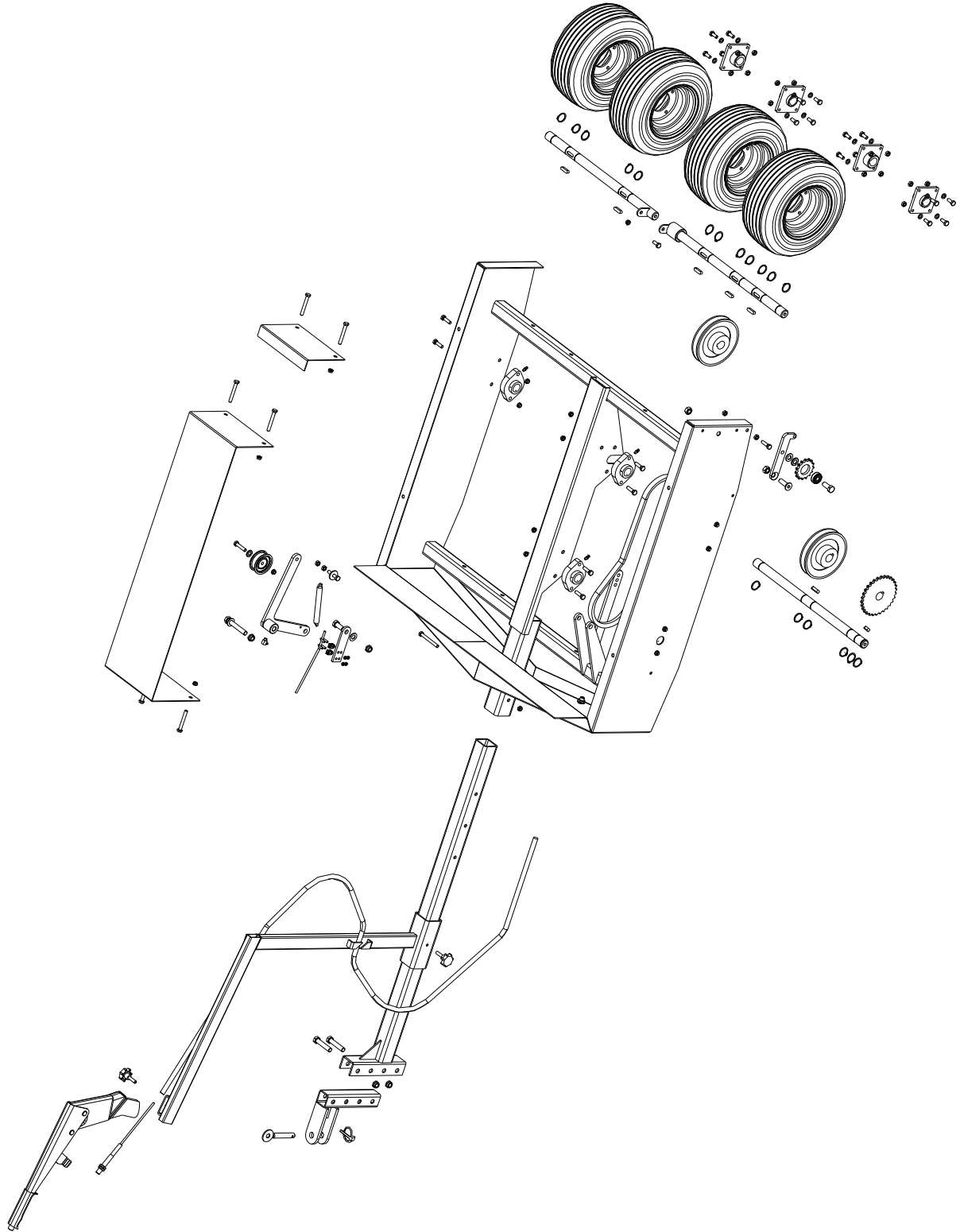
To make sure you will get the right parts you need to give the next information with your parts order:

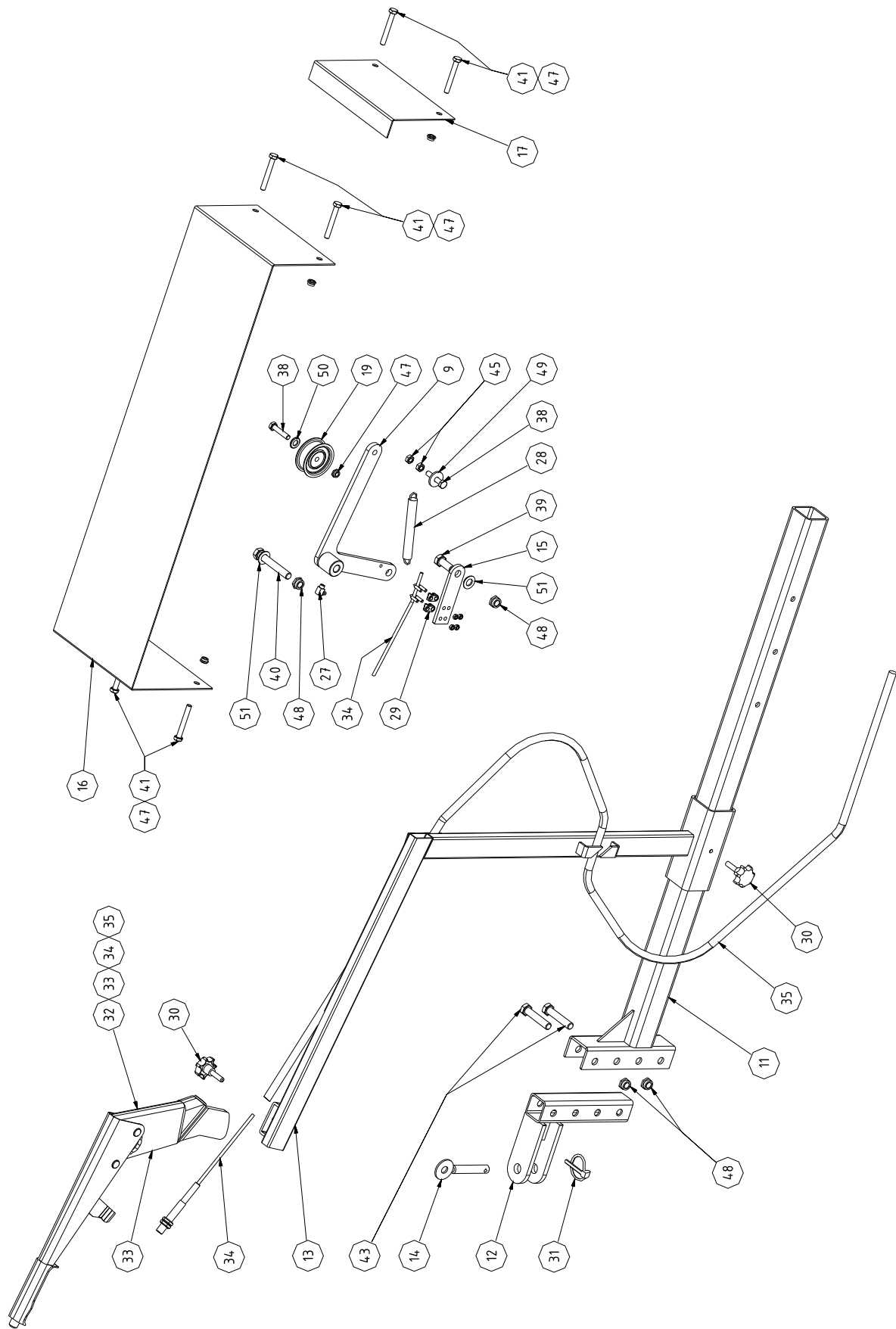
- Serial number
- Year of production if possible
- Part number
- Description

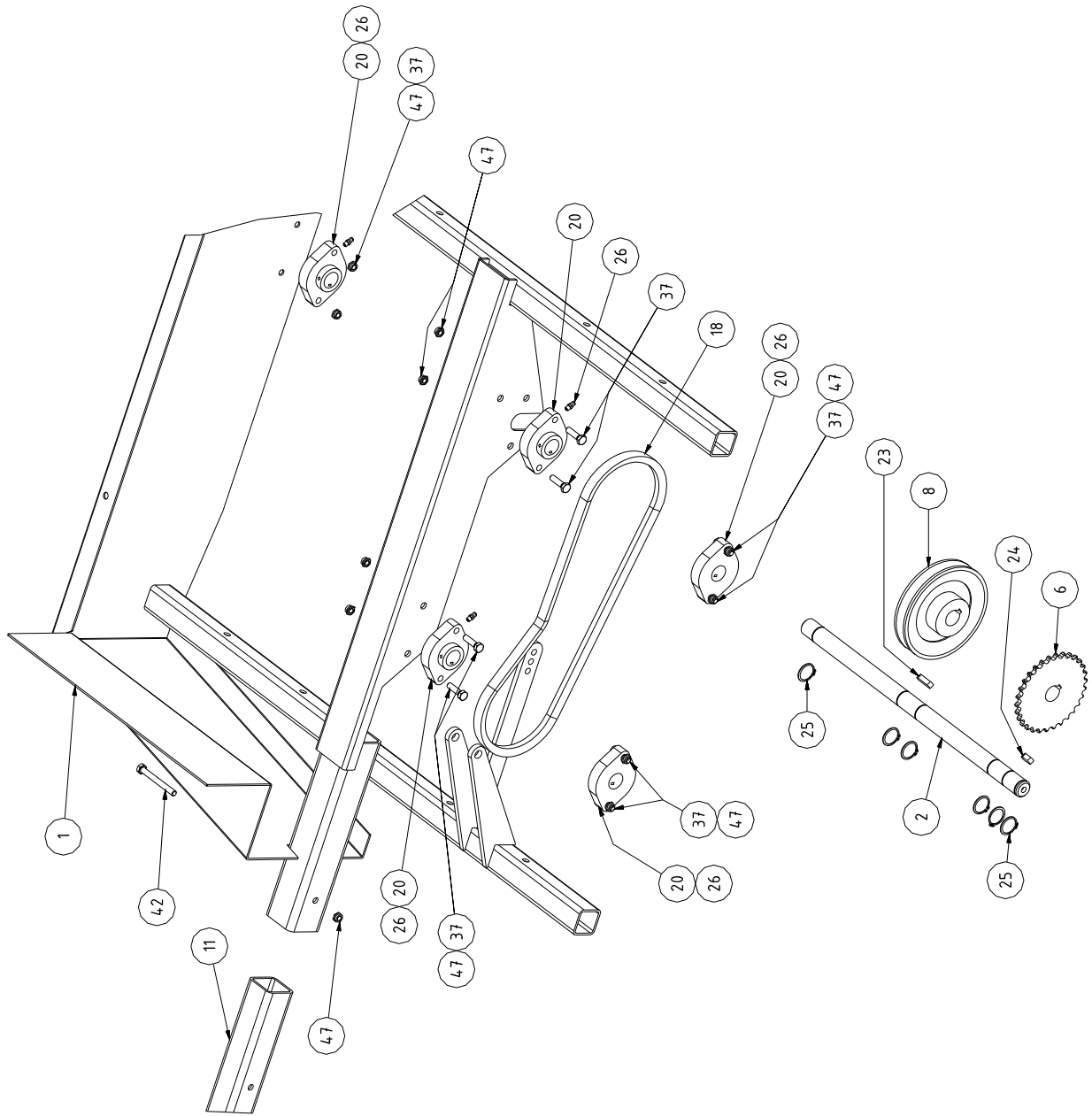


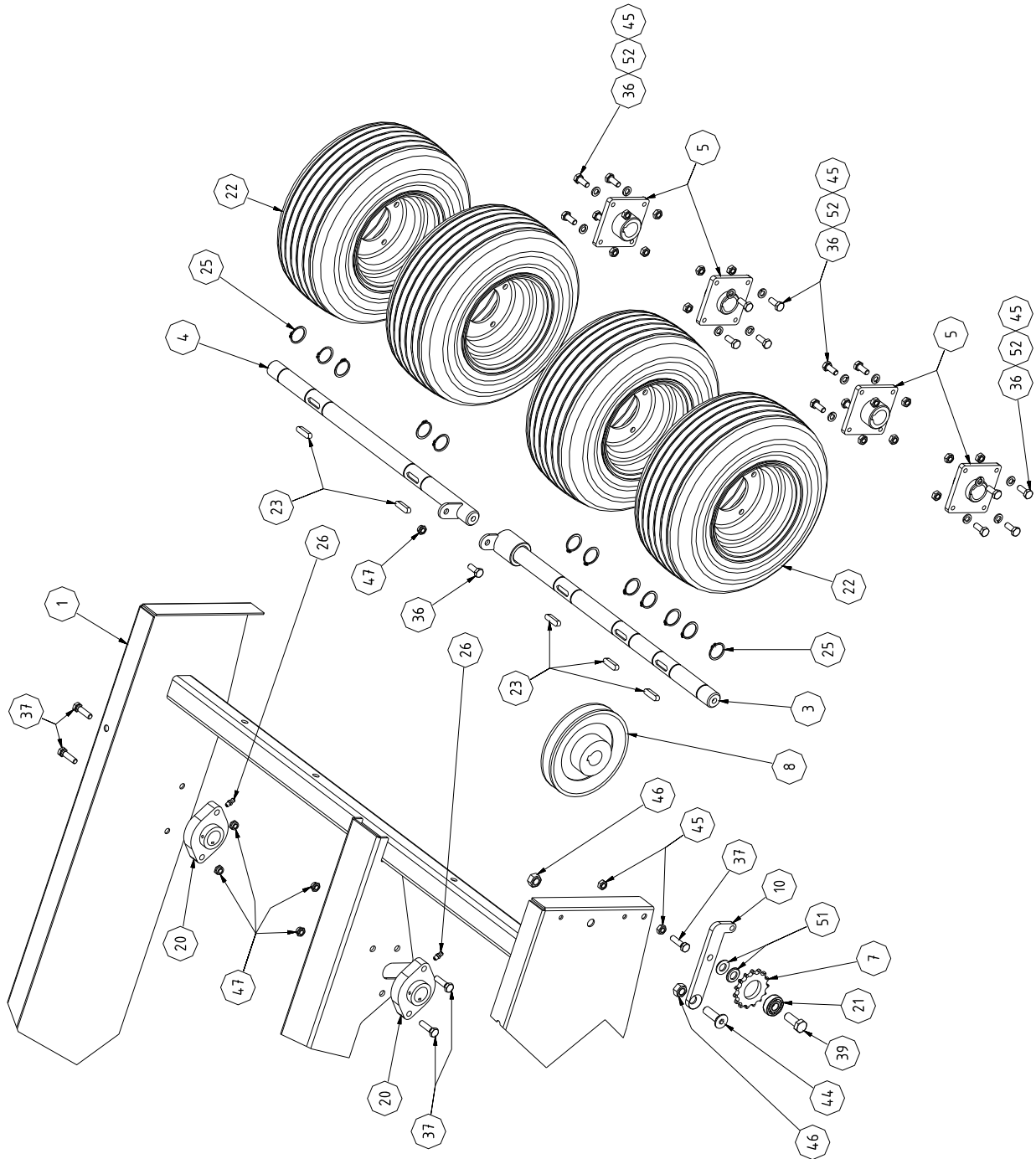
Redexim RINK TB950 – Main frame**Code 1344**

Pos.	Partnumber	Description	Remarks	Qua
1	RGS16810	Main frame complete		1
2	RGS16700	Hopper complete		1
3	RGS11160	Cover		1
4	RGS11081	Plate		1
5	RGS10822	Chain		1
6	RGS11019	Spring		1
7	804.080.120	Bolt M8x12		4
8	804.060.160	Bolt M6x16		5
9	826.080.080	Nut M8		4
10	826.060.060	Nut M6		5
11	864.060.031	Large washer M6		4
12	444.803.100	Manual/Toolbox		1
	900.280.402	Safety decall manual		1
13	804.080.200	Bolt M8x20		2
14	864.080.031	Large washer M8		2
15	864.140.030	Washer M14		2
16	933.280.402	Safety label		2
	933.260.402	Label Rink		2
	944.260.408	Label TB		2
	933.260.424	Label 950		2
	900.260.403	Label logo		2





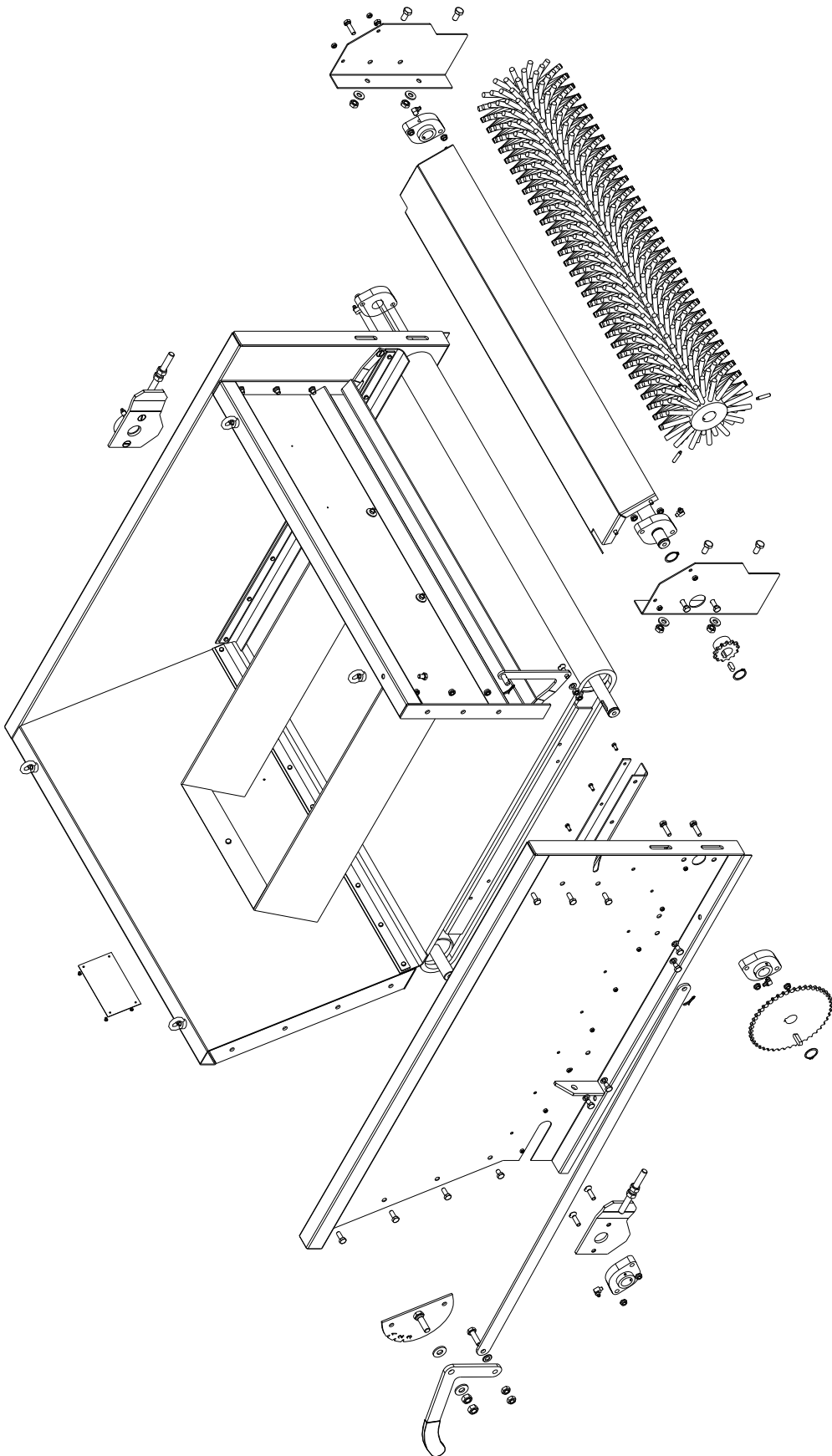


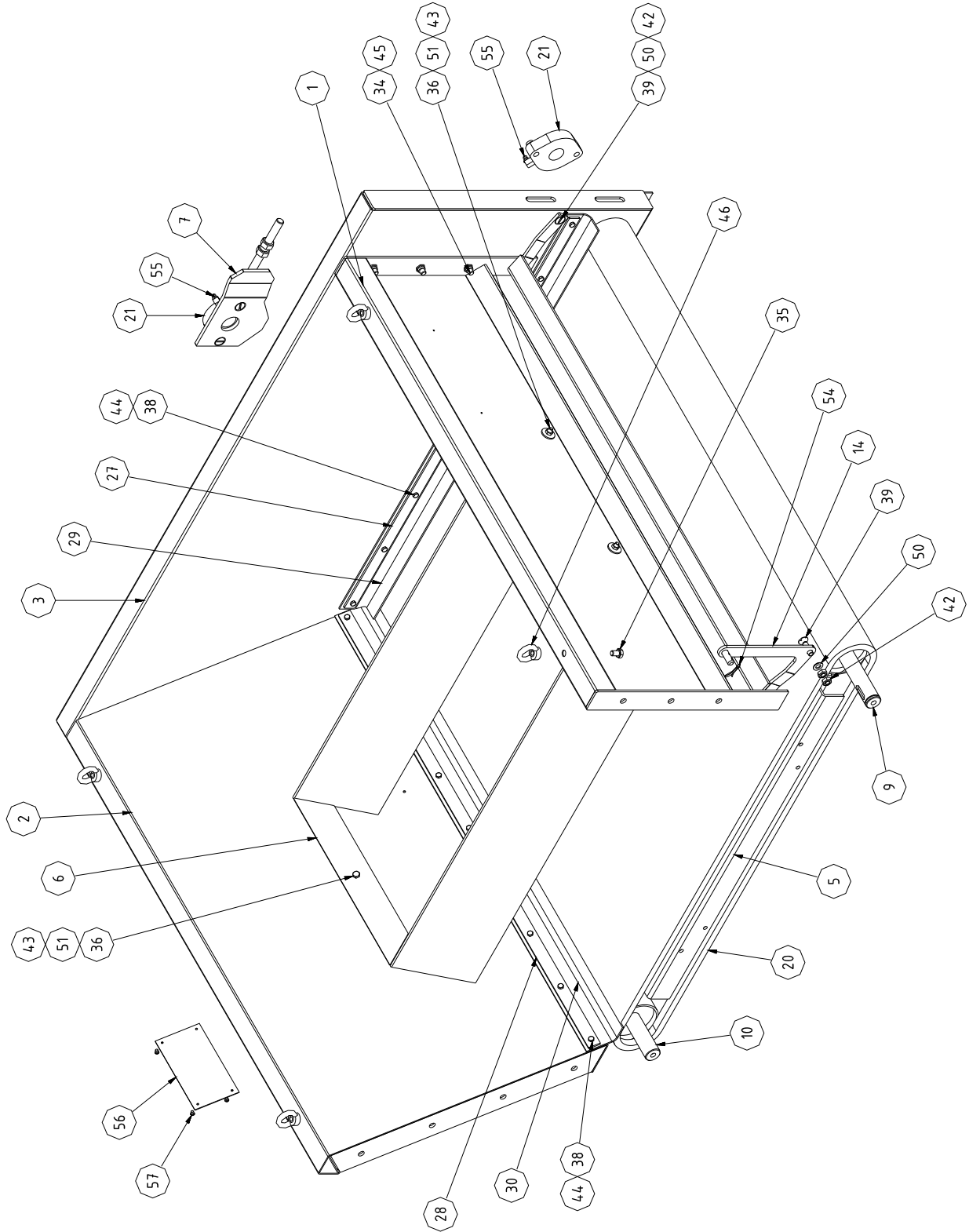


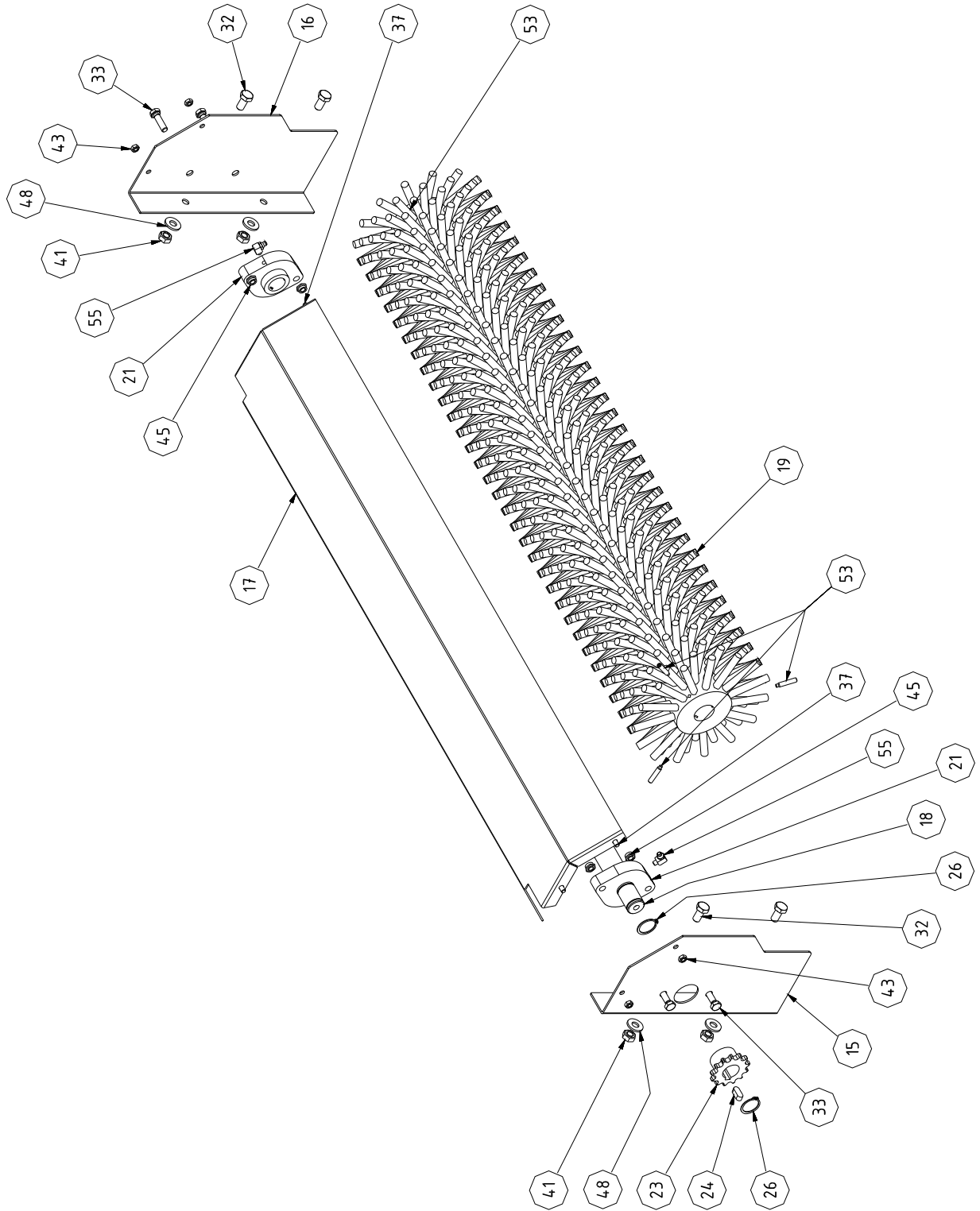
Redexim RINK TB950 – Main frame

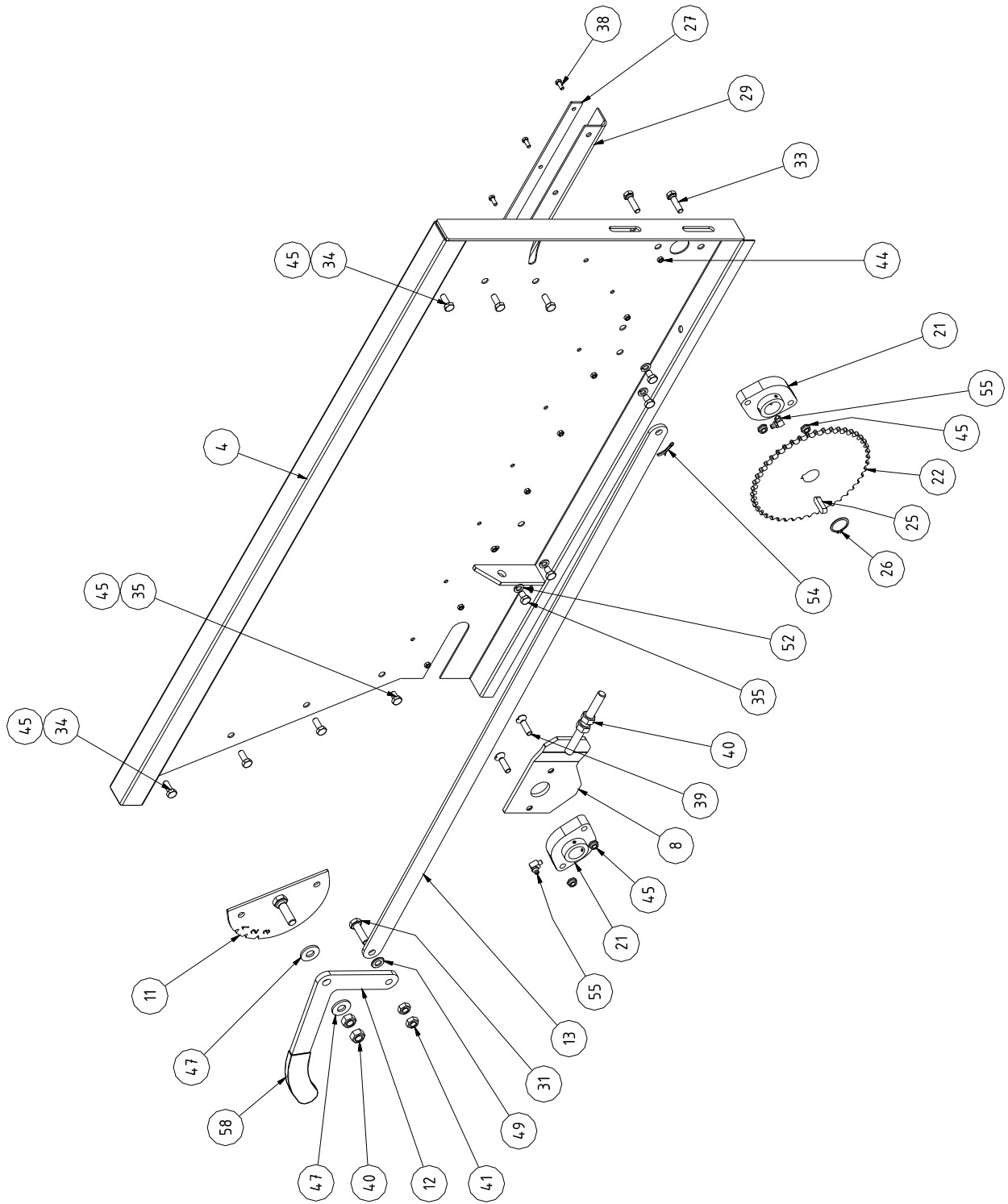
Code 1344

Pos.	Partnumber	Description	Remarks	Qua
1	RGS16805	Frame		1
2	RGS16808	Shaft		1
3	RGS16813	Wheel shaft with bush		1
4	RGS16814	Wheel shaft with flange		1
5	RGS16730	Wheel hub with nut		4
6	RGS16823	Chain wheel Z=30		1
7	RGS16742	Chain wheel Z=15		1
8	RGS16740	Pulley 140mm		2
9	RGS16815	Belt tensioner complete		1
10	RGS16706	Chain spanner arm		1
11	RGS16819	Drawbar		1
12	RGS16818	Drawbar hook		1
13	RGS16822	Mounting frame handle		1
14	RGS16673	Pin		1
15	RGS11158	Bracket		1
16	RGS11165	Cover		1
17	RGS11167	Cover		1
18	RGS10824	Belt B43 1/4		1
19	RGS11124	Spanner pulley		1
20	RGS10594	Bearing 205		5
21	4814590	Bearing 62012RS		1
22	RGS10818	Wheel		4
23	884.080.300	Key 8x7x30		6
24	884.080.200	Key 8x7x20		1
25	870.025.120	Cir clip Ø25x1.2		18
26	880.060.100	Grease nipple M6x1x180 degree		5
27	880.080.102	Grease nipple M8x90 degree		1
28	RGS11019	Spring		1
29	RGS10490	Clamp		2
30	836.080.560	Knurled knob M8x30		2
31	523.060.320	Linch pin		1
32	RGS11007	Banner trade complete	Exists out of: 33,34,35	1
33			Will be supplied as RGS11007	1
34	RGS11133	Inner cable		1
35	RGS11134	Outer cable		1
36	804.080.200	Bolt M8x20		17
37	804.080.300	Bolt M8x30		11
38	804.080.400	Bolt M8x40		2
39	804.120.300	Bolt M12x30		2
40	802.120.800	Bolt M12x80		1
41	802.080.600	Bolt M8x60		6
42	802.080.720	Bolt M8x75		1
43	802.120.600	Bolt M12x60		2
44	816.120.400	Conic bolt M12x40		1
45	830.080.080	Self lock nut M8		20
46	830.120.120	Self lock nut M12		2
47	826.080.080	Nut M8		19
48	826.120.120	Nut M12		4
49	864.080.024	Washer M8 3xD		1
50	864.080.024	Washer M8 3xD		1
51	864.080.024	Washer M8 3xD		4
52	866.080.020	Spring washer M8		16









Redexim RINK TB950 – Hopper

Code 1344

Pos.	Partnumber	Description	Remarks	Qua
1	RGS16677	Rear wall		1
2	RGS16678	Front wall		1
3	RGS16679	Right side wall		1
4	RGS16682	Left side wall		1
5	RGS16684	Floor		1
6	RGS16733	Wedge angle		1
7	RGS16680	Belt tensioner right		1
8	RGS16681	Belt tensioner left		1
9	RGS16690	Rear roller		1
10	RGS16691	Front roller		1
11	RGS16694	Distribution plate		1
12	RGS11067	Handle		1
13	RGS11066	Rod		1
14	RGS16693	Gate		1
15	RGS11049	Brush mounting plate left		1
16	RGS11053	Brush mounting plate right		1
17	RGS11077	Brush cover plate		1
18	RGS16685	Brush shaft		1
19	RGS10174	Brush set complete	10 elements	1
20	RGS10806	Belt		1
21	RGS10594	Bearing		6
22	RGS16686	Chain sprocket 1/2" Z=45		1
23	RGS15452	Chain sprocket 1/2" Z=13		1
24	884.080.200	Key 8x7x20		1
25	884.080.320	Key 8x7x32		1
26	870.025.120	Circlip Ø25x1.2		3
27	RGS11059	Rubber mount strip side		2
28	RGS11060	Rubber mount strip front		1
29	RGS11062	Rubber side		2
30	RGS11061	Rubber front		1
31	804.100.350	Bolt M10x35		1
32	804.100.200	Bolt M10x20		4
33	804.080.300	Bolt M8x30		8
34	804.080.200	Bolt M8x20		12
35	804.080.120	Bolt M8x12		14
36	804.060.160	Bolt M6x16		3
37	804.060.100	Bolt M6x10		4
38	804.050.120	Bolt M5x12		25
39	816.080.350	Conic bolt M8x35		6
40	826.120.120	Nut M12		6
41	826.100.100	Nut M10		6
42	826.080.080	Nut M8		4
43	826.060.060	Nut M6		7
44	826.050.050	Nut M5		25
45	830.080.080	Self lock nut M8		26
46	822.080.360	Eye nut M8		4
47	866.120.020	Spring washer M12		2
48	866.100.020	Spring washer M10		4
49	864.100.030	Washer M10		1
50	864.120.030	Washer M12		2

Redexim RINK TB950 – Hopper**Code 1344**

Pos.	Partnumber	Description	Remarks	Qua
51	RGS10194	Washer M6 3xD		3
52	866.080.020	Spring washer M8		8
53	RGS10358	Threaded rod		6
54	882.030.400	Cotter pin 3x40		2
55	880.060.102	Grease nipple M6 90 degree		6
56	RGS10533	Machine label		1
57	RGS10220	Pop nail		4
58	RGS10267	Handle cover		1