

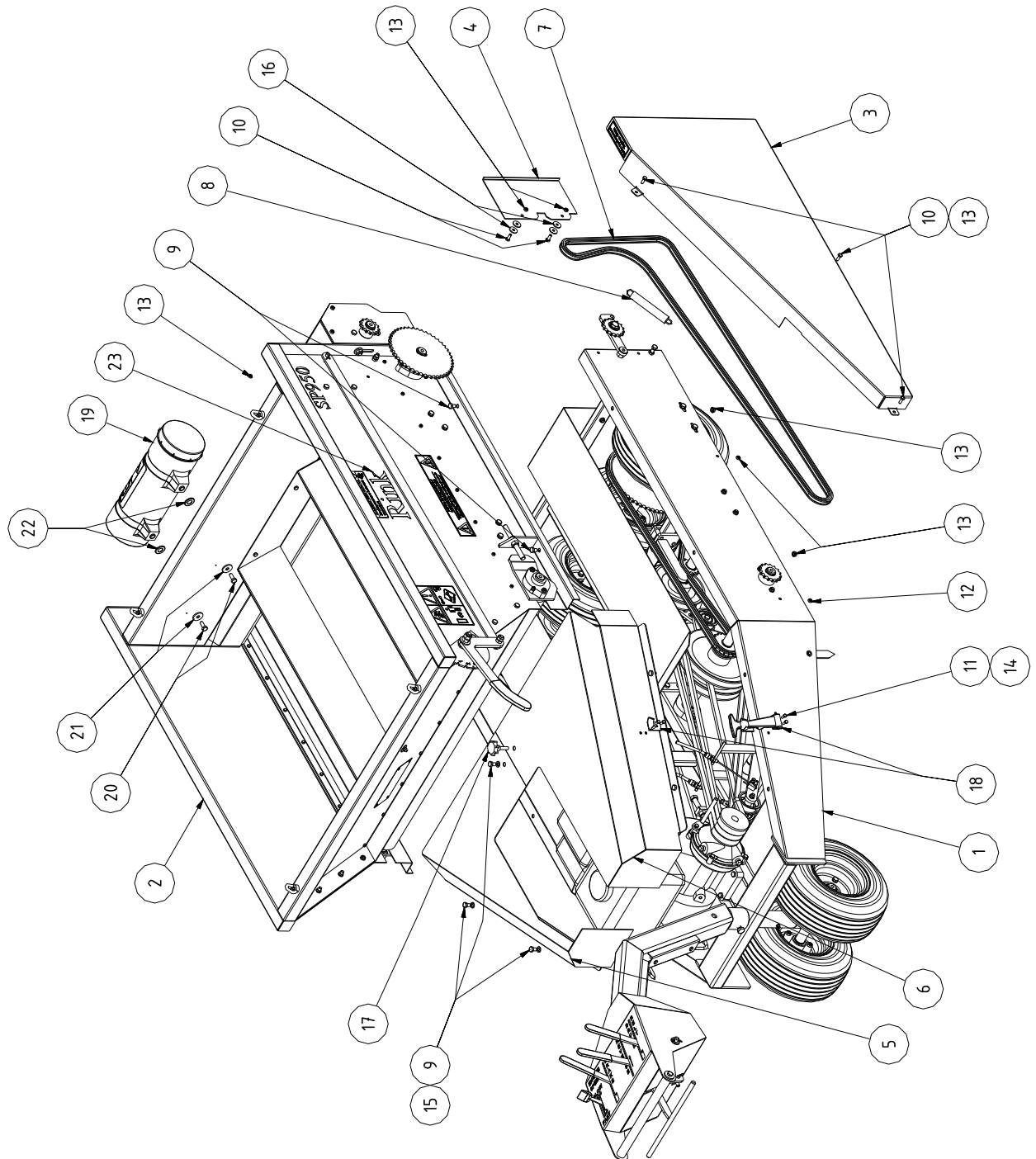
Parts manual

RINK SP950



To make sure you will get the right parts you need to give the next information with your parts order:

- **Serial number**
- **Year of production if possible**
- **Part number**
- **Description**



Redexim RINK SP950 – Main frame**Code 1344**

| Pos. | Partnumber | Description | Remarks | Qua |
|-------------|-------------------|------------------------|----------------|------------|
| 1 | RGS16710 | Main frame complete | | 1 |
| 2 | RGS16700 | Hopper | | 1 |
| 3 | RGS11080 | Side cover | | 1 |
| 4 | RGS11081 | Chain protection plate | | 1 |
| 5 | RGS16719 | Engine cover left | | 1 |
| 6 | RGS16718 | Engine cover right | | 1 |
| 7 | RGS10822 | Chain for spreading | | 1 |
| 8 | RGS11019 | Spring | | 1 |
| 9 | 804.080.120 | Bolt M8x12 | | 7 |
| 10 | 804.060.160 | Bolt M6x16 | | 5 |
| 11 | 804.050.120 | Bolt M5x12 | | 4 |
| 12 | 830.080.080 | Self lock nut M8 | | 4 |
| 13 | 826.060.060 | Nut M6 | | 5 |
| 14 | 830.050.050 | Self lock nut M5 | | 4 |
| 15 | 866.080.020 | Spring washer M8 | | 3 |
| 16 | 864.060.031 | Large washer M6 | | 4 |
| 17 | 836.080.560 | Knurled Knob M8x30 | | 1 |
| 18 | RGS10315 | Clamp | | 1 |
| 19 | 444.803.100 | Manual/Toolbox | | 1 |
| | 900.280.402 | Safety decall manual | | 1 |
| 20 | 804.080.300 | Bolt M8x30 | | 2 |
| 21 | 864.080.031 | Large washer M8 | | 2 |
| 22 | 864.140.030 | Washer M14 | | 2 |
| 23 | 933.280.402 | Safety label | | 2 |
| | 933.260.402 | Label Rink | | 2 |
| | 944.260.406 | Label SP | | 2 |
| | 933.260.424 | Label 950 | | 2 |
| | 900.260.403 | Label logo | | 2 |

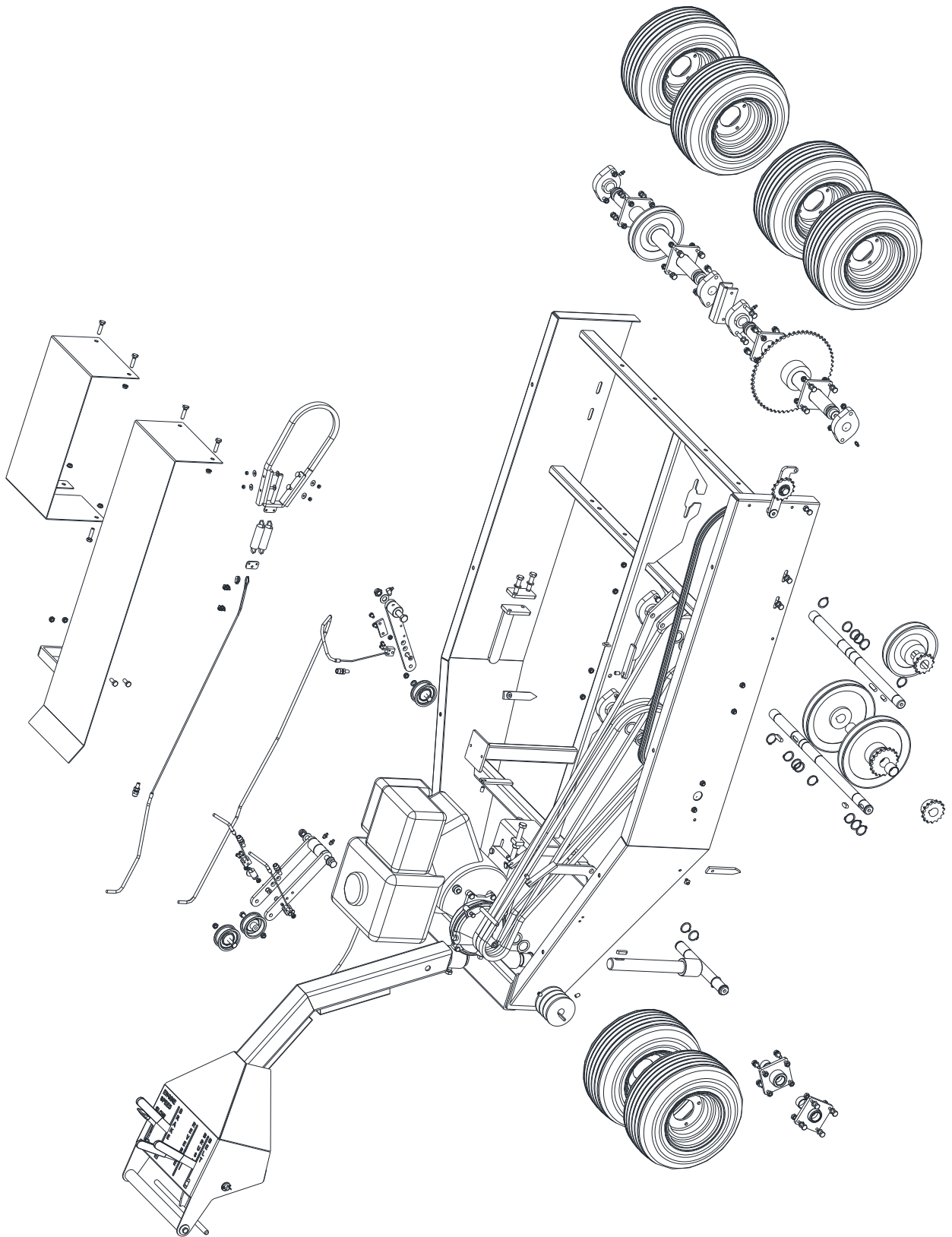


Abb. 1: Fahrwerk komplett

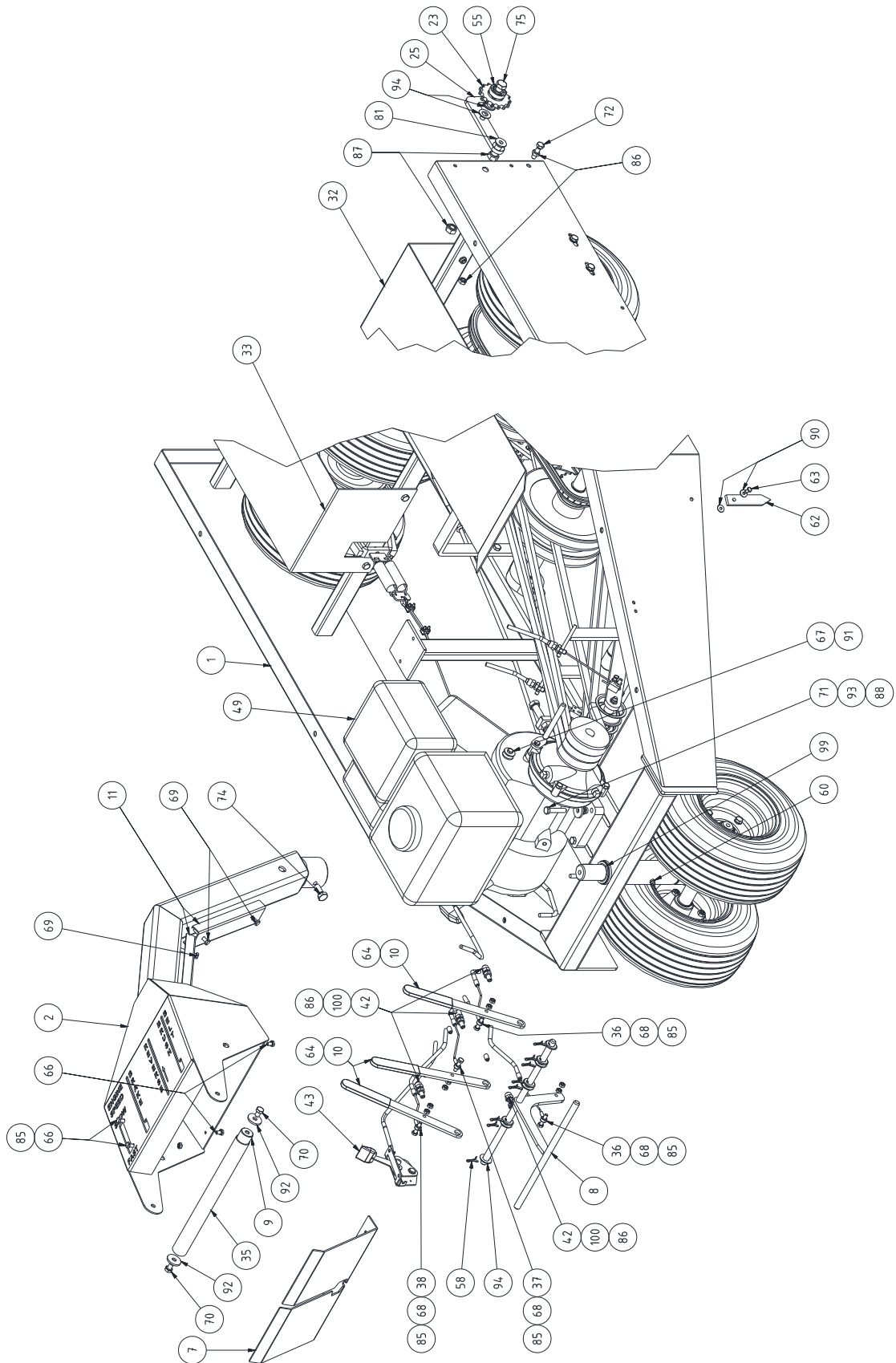


Abb. 2: Fahrwerk komplett

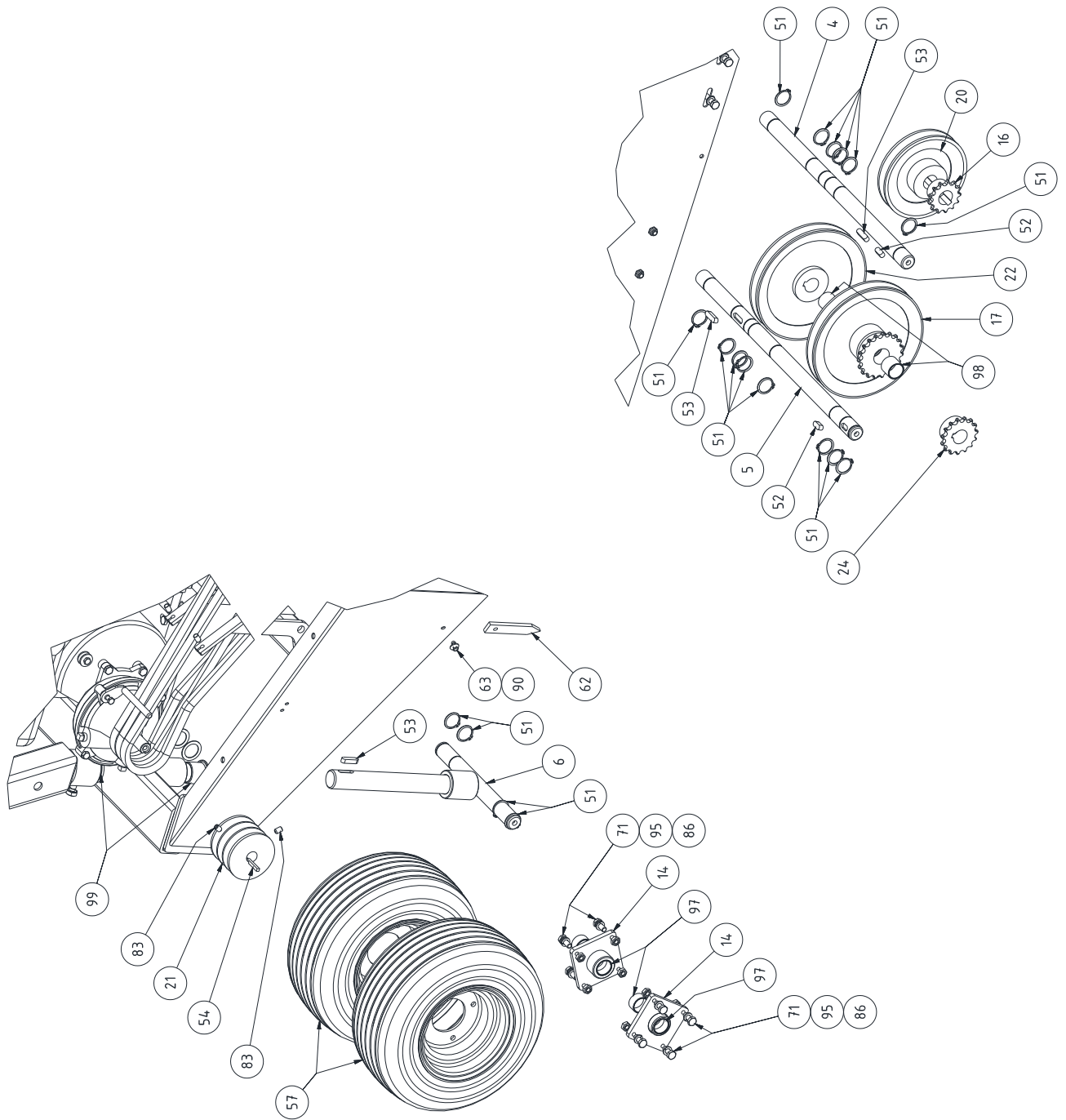


Abb. 3: Fahrwerk komplett

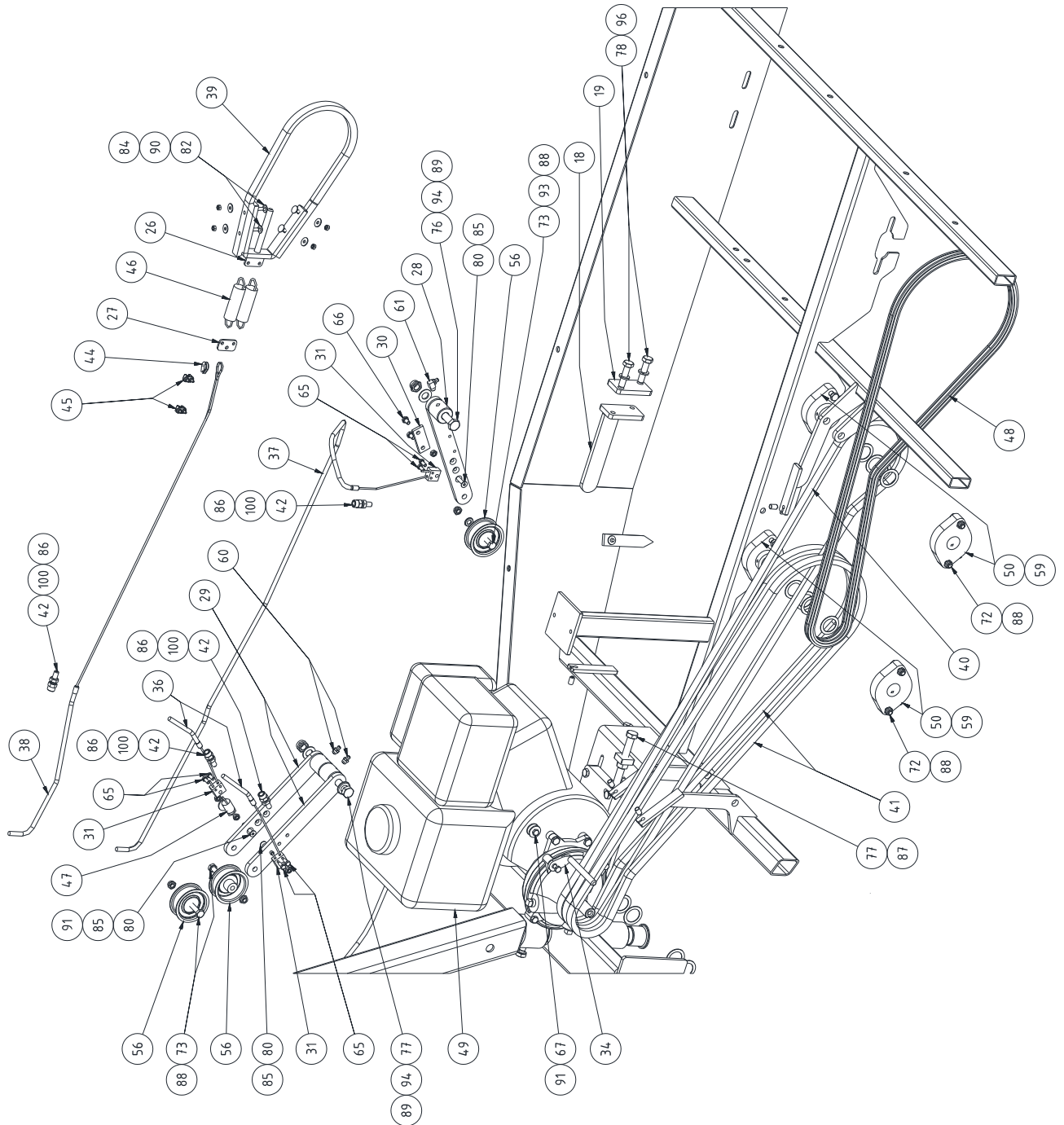


Abb. 4: Fahrwerk komplett

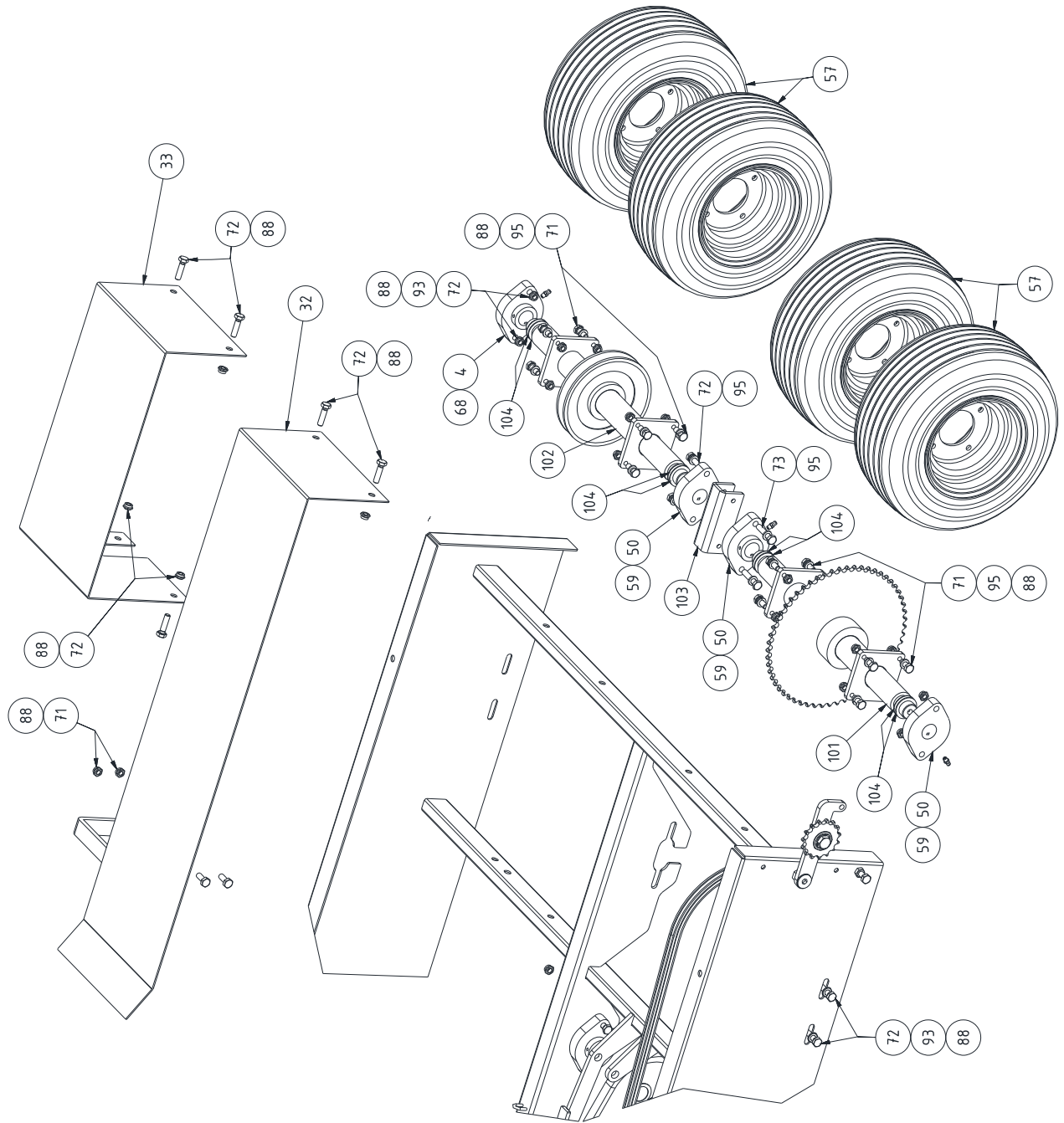


Abb. 5: Fahrwerk komplett

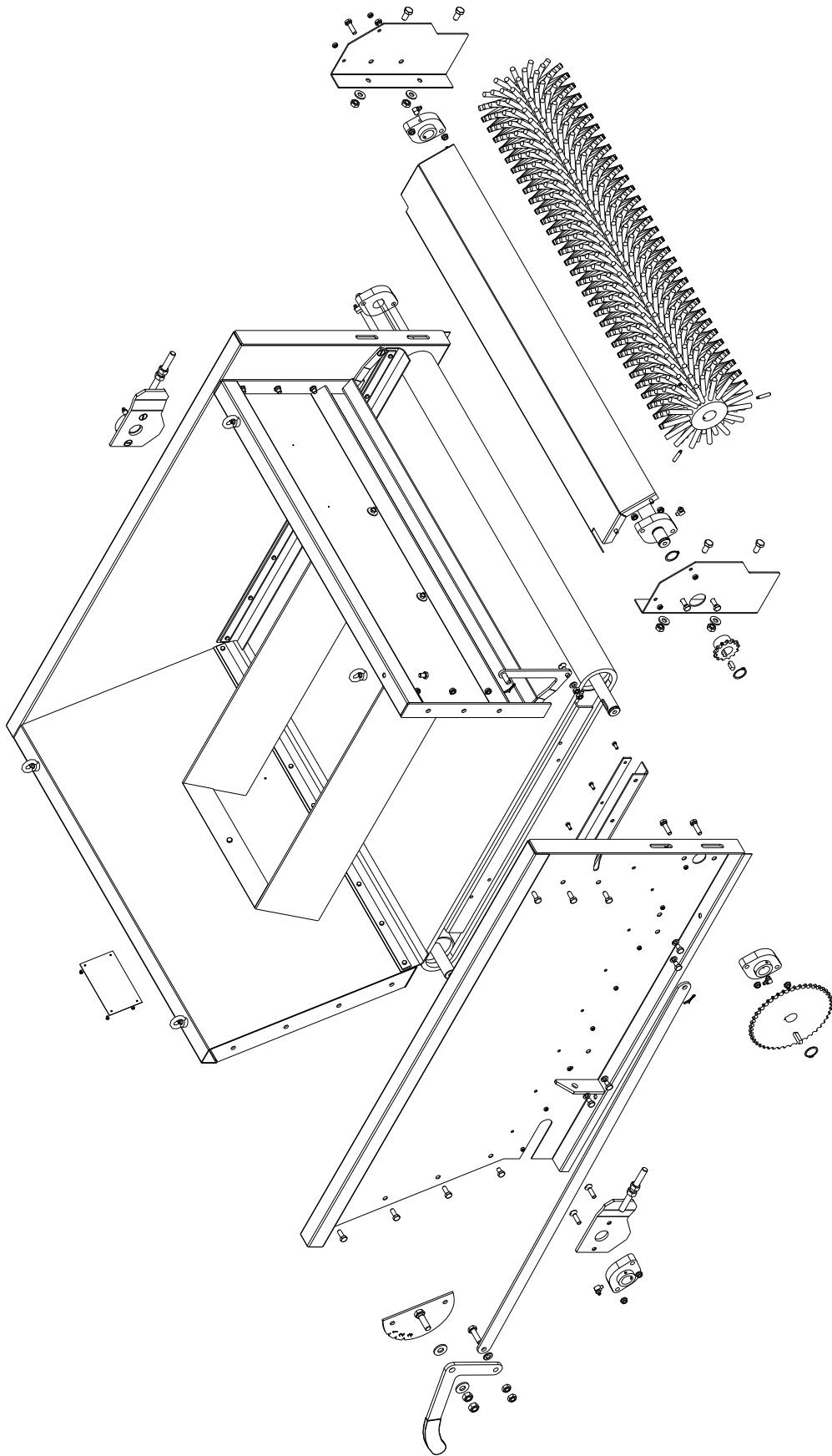
Redexim RINK SP950 – Main frame**Code 1844**

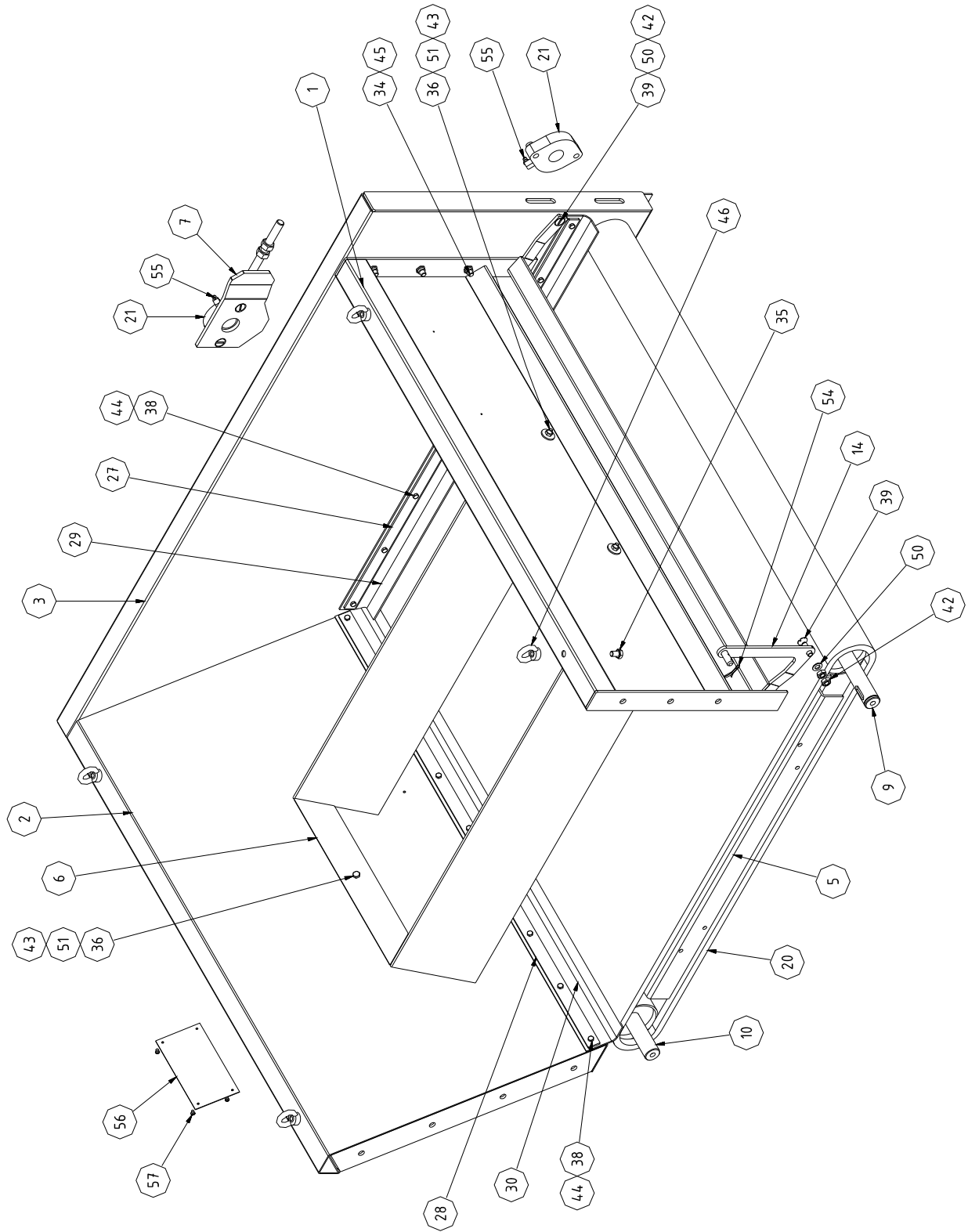
| Pos. | Partnumber | Description | Remarks | Qua |
|-------------|-------------------|-------------------------------|----------------|------------|
| 1 | RGS16699 | Frame | | 1 |
| 2 | RGS16707 | Steering handle | | 1 |
| 4 | RGS16702 | Shaft | | 1 |
| 5 | RGS16704 | Shaft | | 1 |
| 6 | RGS16725 | Front wheel shaft | | 1 |
| 7 | RGS11089 | Cover steering handle | | 1 |
| 8 | RGS16708 | Gear lever | | 1 |
| 9 | RGS16709 | Steering handle lever | | 1 |
| 10 | RGS11088 | Gear lever | | 3 |
| 11 | RGS11090 | Cable cover | | 2 |
| 14 | RGS16729 | Wheelhub for bearing | | 2 |
| 16 | RGS15452 | Chain wheel | | 1 |
| 17 | RGS16705 | Sprocket with pully | | 1 |
| 18 | RGS16698 | Chain guide | | 1 |
| 19 | RGS11110 | Plate | | 1 |
| 20 | RGS16740 | Pully | | 1 |
| 21 | RGS16741 | Pully | | 1 |
| 22 | RGS16739 | Pully | | 1 |
| 23 | RGS16742 | Chain wheel Z 15 | | 1 |
| 24 | RGS10813 | Chain wheel Z 15 | | 1 |
| 25 | RGS16706 | Chain tensioner | | 1 |
| 26 | RGS16717 | Brake angle complete | | 1 |
| 27 | RGS11107 | Spring mounting plate | | 1 |
| 28 | RGS16715 | Belt tensioner | | 1 |
| 29 | RGS16726 | Belt tensioner | | 2 |
| 30 | RGS16745 | Guide plate | | 1 |
| 31 | RGS16824 | Clamp | | 3 |
| 32 | RGS16716 | Belt cover | | 1 |
| 33 | RGS11098 | Brake cover | | 1 |
| 34 | RGS16728 | Belt guide | | 1 |
| 35 | RGS16833 | Cover for handle | | 1 |
| 36 | RGS16848 | Cable ahead complete | | 2 |
| 37 | RGG16849 | Cable reverse complete | | 1 |
| 38 | RGS16850 | Cable brake complete | | 1 |
| 39 | RGS16834 | Belt for brake | | 1 |
| 40 | RGS10820 | Belt for reverse | | 1 |
| 41 | RGS10817 | Belt for forwards | | 2 |
| 42 | RGS11126 | Adjusting bolt | | 8 |
| 43 | RGS11125 | Gas cable complete | | 1 |
| 44 | RGS10499 | Clamp | | 1 |
| 45 | RGS10498 | Clamp | | 2 |
| 46 | RGS11019 | Spring | | 2 |
| 47 | RGS10608 | Spring | | 1 |
| 48 | RGS10823 | Chain complete with connector | | 1 |
| 49 | 672.290.375 | Engine B&S 6.5HP with reducer | | 1 |
| 50 | RGS10594 | Bearing | | 8 |
| 51 | 870.025.120 | Cir clip Ø25x1.2 | | 18 |
| 52 | 884.080.200 | Key 8x7x20 | | 2 |
| 53 | 884.080.320 | Key 8x7x32 | | 7 |

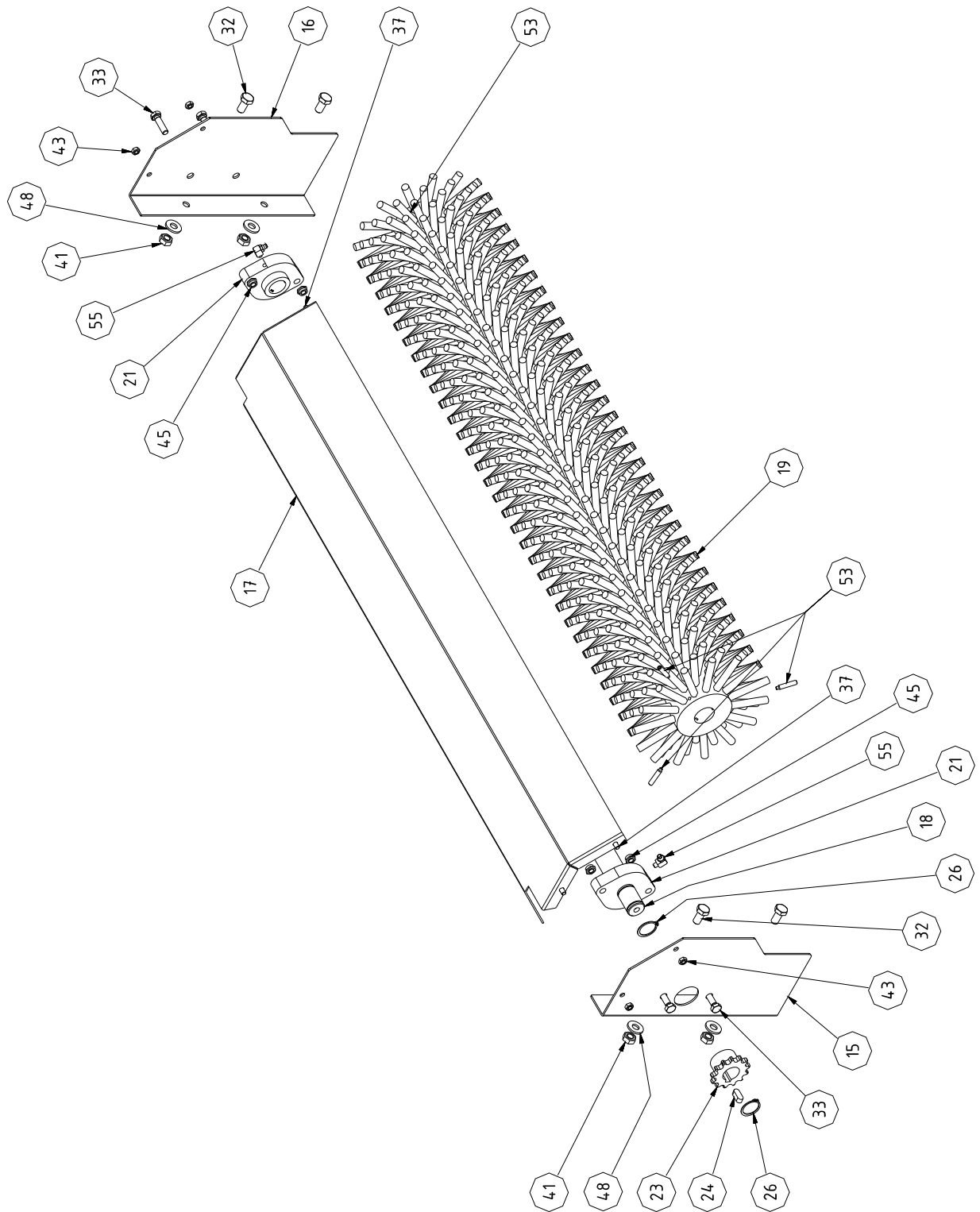
Redexim RINK SP950 – Main frame

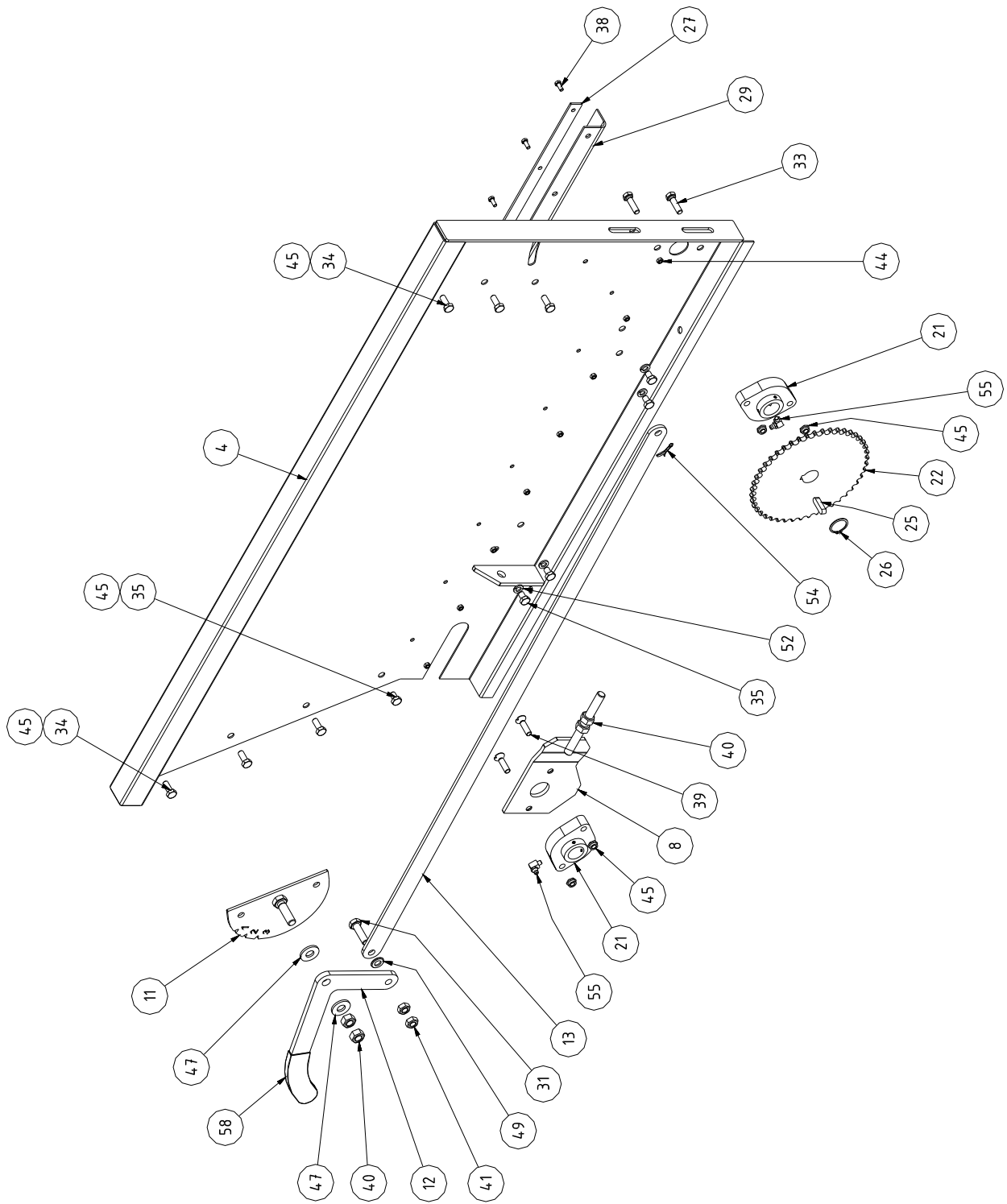
Code 1844

| Pos. | Partnumber | Description | Remarks | Qua |
|------|-------------|-----------------------------|---------|-----|
| 54 | RGS16750 | Key 4.7x5x35 | | 1 |
| 55 | 4814590 | Bearing 62012RS | | 1 |
| 56 | RGS11124 | Sheave | | 3 |
| 57 | RGS10818 | Wheel | | 6 |
| 58 | 882.030.400 | Cotter pin 3x40 | | 8 |
| 59 | 880.060.100 | Grease nipple M6x180 degree | | 8 |
| 60 | 880.080.100 | Grease nipple M8x180 degree | | 3 |
| 61 | 880.080.102 | Grease nipple M8x90 degree | | 1 |
| 62 | RGS10807 | Marker | | 2 |
| 63 | RGS10219 | Pop nail | | 2 |
| 64 | RGS10259 | Handle cover | | 3 |
| 65 | 804.050.120 | Bolt M5x12 | | 6 |
| 66 | 804.060.100 | Bolt M6x10 | | 6 |
| 67 | 804.060.160 | Bolt M6x16 | | 1 |
| 68 | 804.060.250 | Bolt M6x25 | | 4 |
| 69 | 804.060.350 | Bolt M6x35 | | 4 |
| 70 | 804.080.120 | Bolt M8x12 | | 2 |
| 71 | 804.080.200 | Bolt M8x20 | | 26 |
| 72 | 802.080.300 | Bolt M8x30 | | 21 |
| 73 | 802.080.400 | Bolt M8x40 | | 9 |
| 74 | 804.100.250 | Bolt M10x25 | | 1 |
| 75 | 804.120.300 | Bolt M12x30 | | 1 |
| 76 | 802.120.800 | Bolt M12x80 | | 1 |
| 77 | 802.121.000 | Bolt M12x100 | | 1 |
| 78 | 802.100.400 | Bolt M10x40 | | 2 |
| 79 | 802.121.200 | Bolt M12x120 | | 1 |
| 80 | 816.060.350 | Conic bolt M6x35 | | 3 |
| 81 | 816.120.400 | Conic bolt M12x40 | | 1 |
| 82 | 820.050.250 | Mushroom head bolt M5x25 | | 4 |
| 83 | RGS10175 | Threaded rod M8x12 | | 2 |
| 84 | 826.050.050 | Nut M5 | | 4 |
| 85 | 826.060.060 | Nut M6 | | 15 |
| 86 | 826.080.080 | Nut M8 | | 18 |
| 87 | 826.120.120 | Nut M12 | | 3 |
| 88 | 830.080.080 | Self lock nut M8 | | 44 |
| 89 | 830.120.120 | Self lock nut M12 | | 2 |
| 90 | RGS10639 | Washer M5 3xD | | 8 |
| 91 | 864.060.020 | Washer M6 3xD | | 3 |
| 92 | 864.080.031 | Washer M6 3xD | | 6 |
| 93 | 864.080.030 | Washer M8 | | 5 |
| 94 | 864.120.030 | Washer M12 | | 13 |
| 95 | 866.080.020 | Spring washer M8 | | 28 |
| 96 | 866.100.020 | Spring washer M10 | | 2 |
| 97 | RGS10411 | Bushing | | 8 |
| 98 | RGS10410 | Bushing | | 2 |
| 99 | RGS10437 | Bushing | | 2 |
| 100 | RGS11128 | Shell | | 8 |
| 101 | RGS17253 | Drive shaft | | 1 |
| 102 | RGS17254 | Bremswelle | | 1 |
| 103 | RGS17249 | Bearing profile with thread | | 1 |
| 104 | RGS10216 | Shim 25x35x1 | | 16 |









Redexim RINK SP950 – Hopper

Code 1344

| Pos. | Partnumber | Description | Remarks | Qua |
|------|-------------|----------------------------|-------------|-----|
| 1 | RGS16677 | Rear wall | | 1 |
| 2 | RGS16678 | Front wall | | 1 |
| 3 | RGS16679 | Right side wall | | 1 |
| 4 | RGS16682 | Left side wall | | 1 |
| 5 | RGS16684 | Floor | | 1 |
| 6 | RGS16733 | Wedge | | 1 |
| 7 | RGS16680 | Belt tensioner right | | 1 |
| 8 | RGS16681 | Belt tensioner left | | 1 |
| 9 | RGS16690 | Rear roller | | 1 |
| 10 | RGS16691 | Front roller | | 1 |
| 11 | RGS16694 | Distribution plate | | 1 |
| 12 | RGS11067 | Handle | | 1 |
| 13 | RGS11066 | Rod | | 1 |
| 14 | RGS16693 | Gate | | 1 |
| 15 | RGS11049 | Brush mounting plate left | | 1 |
| 16 | RGS11053 | Brush mounting plate right | | 1 |
| 17 | RGS11077 | Brush cover plate | | 1 |
| 18 | RGS16685 | Brush shaft | | 1 |
| 19 | RGS10174 | Brush set complete | 10 elements | 1 |
| 20 | RGS10806 | Belt | | 1 |
| 21 | RGS10594 | Bearing GLCTE25 | | 6 |
| 22 | RGS16686 | Chain sprocket 1/2" Z45 | | 1 |
| 23 | RGS15452 | Chain sprocket 1/2" Z13 | | 1 |
| 24 | 884.080.200 | Key 8x7x20 | | 1 |
| 25 | 884.080.320 | Key 8x7x32 | | 1 |
| 26 | 870.025.120 | Circlip Ø25x1.2 | | 3 |
| 27 | RGS11059 | Rubber mount strip side | | 2 |
| 28 | RGS11060 | Rubber mount strip front | | 1 |
| 29 | RGS11062 | Rubber side | | 2 |
| 30 | RGS11061 | Rubber front | | 1 |
| 31 | 804.100.350 | Bolt M10x35 | | 1 |
| 32 | 804.100.200 | Bolt M10x20 | | 4 |
| 33 | 804.080.300 | Bolt M8x30 | | 8 |
| 34 | 804.080.200 | Bolt M8x20 | | 12 |
| 35 | 804.080.120 | Bolt M8x12 | | 14 |
| 36 | 804.060.160 | Bolt M6x16 | | 3 |
| 37 | 804.060.100 | Bolt M6x10 | | 4 |
| 38 | 804.050.120 | Bolt M5x12 | | 25 |
| 39 | 816.080.300 | Conic bolt M8x30 | | 6 |
| 40 | 826.120.120 | Nut M12 | | 6 |
| 41 | 826.100.100 | Nut M10 | | 6 |
| 42 | 826.080.080 | Nut M8 | | 4 |
| 43 | 826.060.060 | Nut M6 | | 7 |
| 44 | 826.050.050 | Nut M5 | | 25 |
| 45 | 830.080.080 | Self lock nut M8 | | 26 |
| 46 | 822.080.360 | Eye nut M8 | | 4 |
| 47 | 866.120.020 | Spring washer M12 | | 2 |
| 48 | 866.100.020 | Spring washer M10 | | 4 |
| 49 | 864.100.030 | Washer M10 | | 1 |
| 50 | 864.120.030 | Washer M12 | | 2 |

Redexim RINK SP950 – Hopper**Code 1344**

| Pos. | Partnumber | Description | Remarks | Qua |
|-------------|-------------------|---------------------------|----------------|------------|
| 51 | RGS10194 | Washer M6 3xD | | 3 |
| 52 | 866.080.020 | Spring washer M8 | | 8 |
| 53 | RGS10358 | Threaded rod M6x30 | | 6 |
| 54 | 882.030.400 | Cotter pin 3x40 | | 2 |
| 55 | 880.060.102 | Grease nipple M6 90degree | | 6 |
| 56 | RGS10533 | Machine label | | 1 |
| 57 | RGS10220 | Pop nail | | 4 |
| 58 | RGS10267 | Handle cover | | 1 |