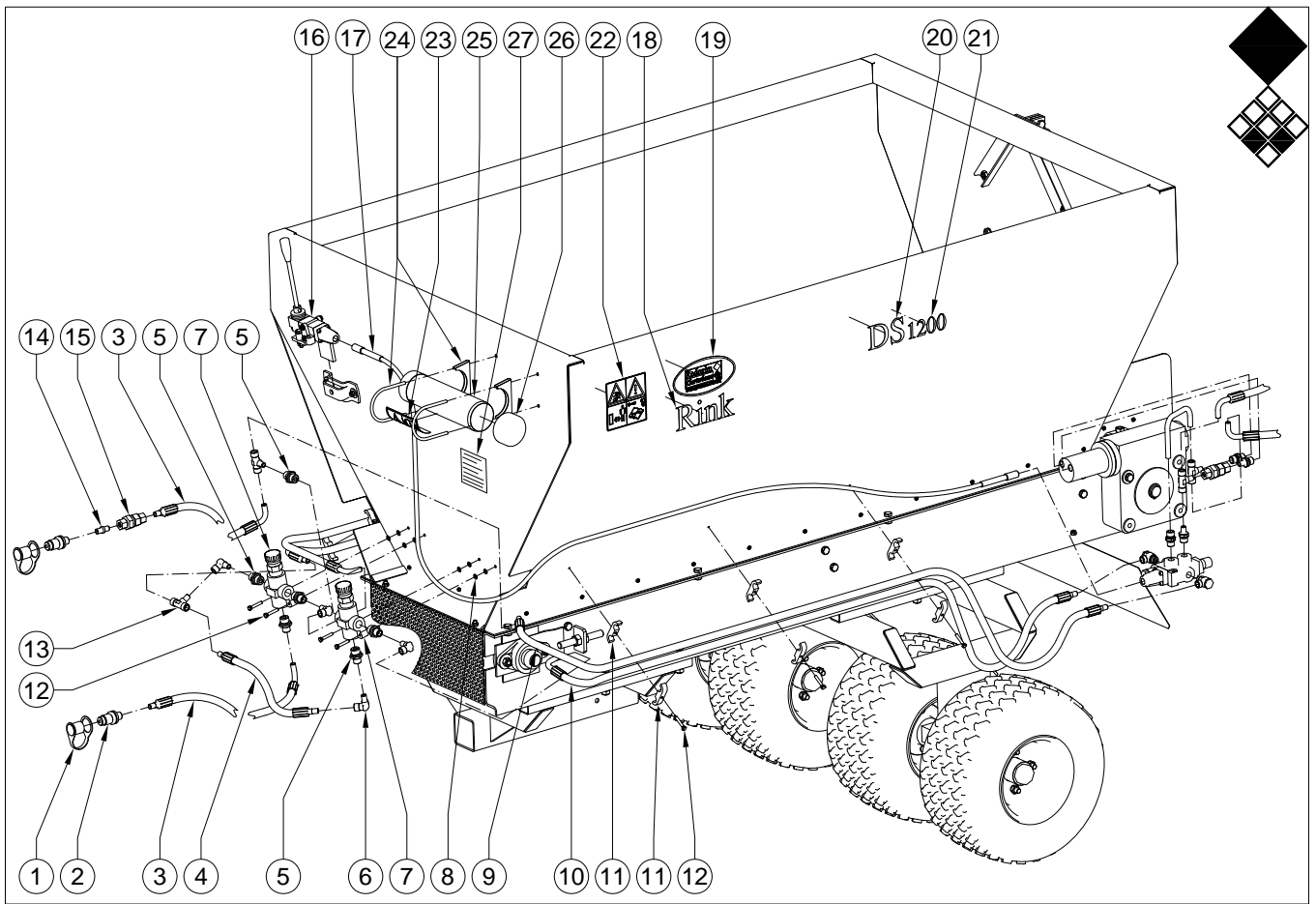


Parts manual

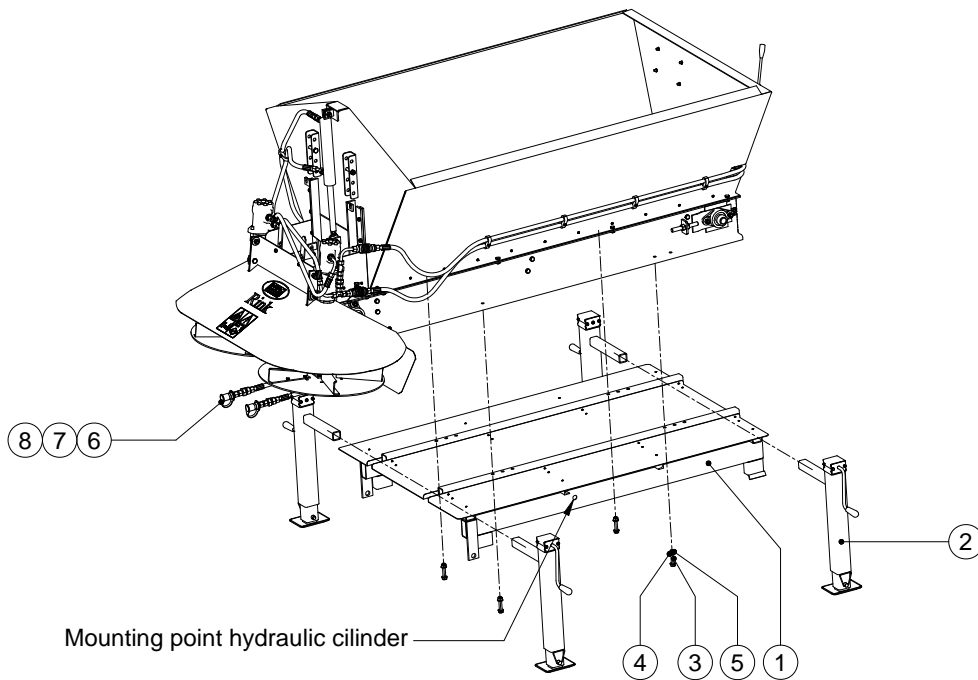
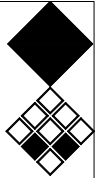




Redexim Rink DS 550/800/1200/2000 pag 05 code 1241

	PART # DS 550	PART # DS 800	PART # DS 1200	PART # DS 2000	DESCRIPTION	REMARKS	QUA
1	RGS 19005	Same	Same	Same	Hydraulic connector cover		2
2	RGS 10747	Same	Same	Same	HD-Male		2
3	RGS 10657	Same	Same	Same	Hydraulic hose 1400mm		2
4	RGS 10659	Same	Same	Same	Hydraulic hose 400mm		1
5	544.130.402	Same	Same	Same	Nippel 1/2" x 12 mm		6
6	544.120.361	Same	Same	Same	90 degree nipple 12 tube x 12		4
7	RGS 10336	Same	Same	Same	Regulator		2
8	826.060.060	Same	Same	Same	Nut M6		4
9	-	RGS 10743	Same	Same	Hydraulic hose 2000mm		1
9	RGS 10829	-	-	-	Hydraulic hose 1300mm		1
10	-	RGS 10742	Same	Same	Hydraulic hose 1950mm		1
10	RGS 10830	-	-	-	Hydraulic hose 1250mm		1
11	RGS 10745	Same	Same	Same	Clamp		7
12	804.060.350	Same	Same	Same	Bolt M6 x 35		11
13	544.124.126	Same	Same	Same	T connector		2
14	RGS 10040	Same	Same	Same	Connector 12x12 mm		1
15	RGS 10341	Same	Same	Same	One way valve		3
16	RGS 10737	Same	Same	Same	Conveyor belt shift lever		1
17	RGS 19006	Same	Same	Same	Cable		1
18	933.260.402	Same	Same	Same	Decall Rink		2
19	900.260.403	Same	Same	Same	Decall Redexim logo		2
20	933.260.418	Same	Same	Same	Decall DS		2
21	933.260.426	-	-	-	Decall 550		2
21	-	933.260.420	-	-	Decall 800		2
21	-	-	913.260.406	-	Decall 1200		2
21	-	-	-	922.260.404	Decall 2000		3
22	933.280.402	Same	Same	Same	Safety decal rink		2
23	900.280.402	Same	Same	Same	Safety label manual		1
24	848.901.200	Same	Same	Same	U bolt complete		2
25	991.143.400	Same	Same	Same	Manual / tool box empty		1
26	991.140.600	Same	Same	Same	Cover manual/tool box		2
27	933.120.416	Same	Same	Same	Manual Rink DS 800 / DS		

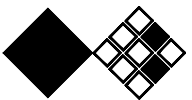
DS800 with toro frame



Mounting point hydraulic cilinder

Redexim Rink DS 800 only pag 11 code 1106

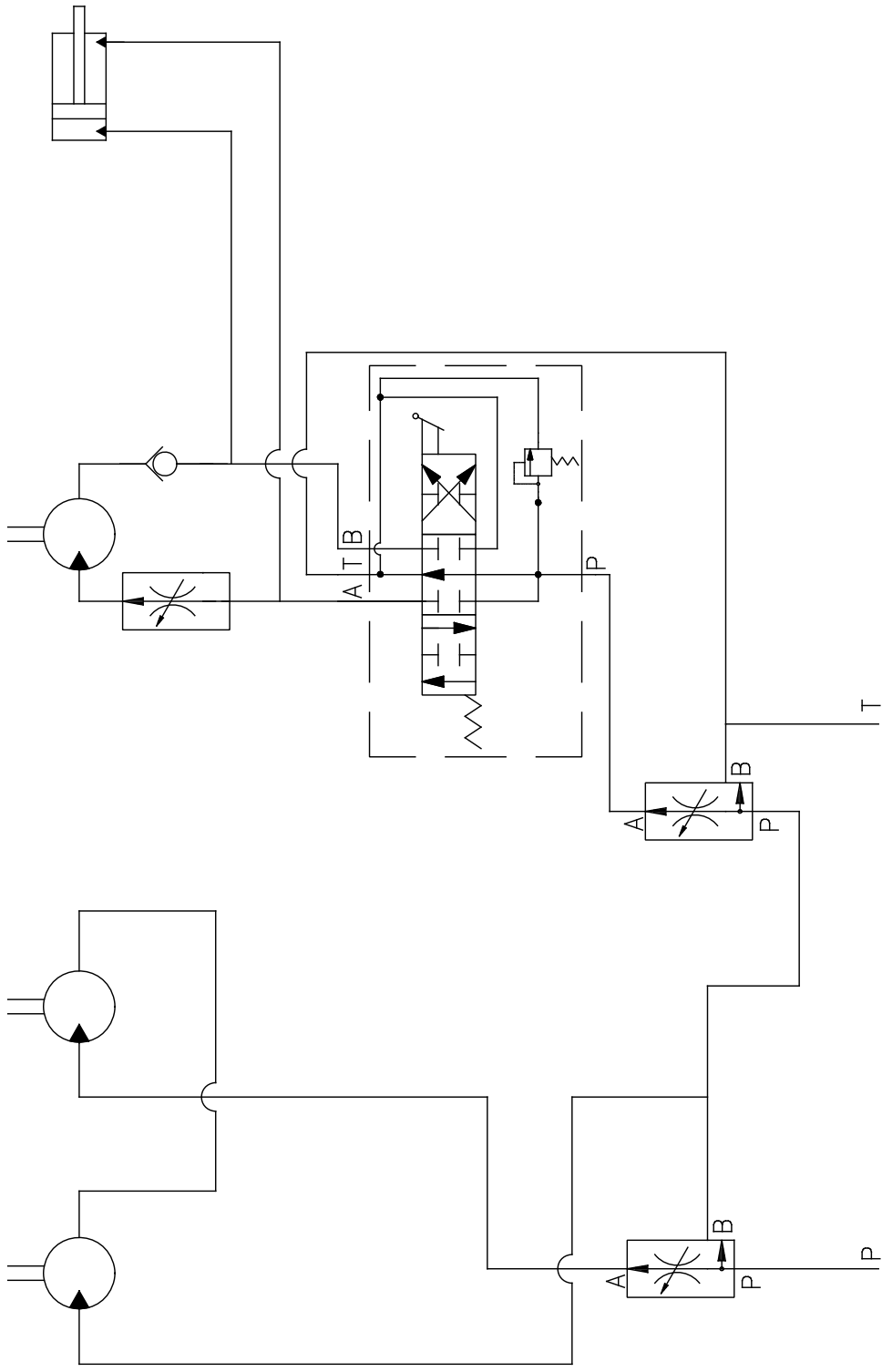
	PART #	DESCRIPTION	REMARKS	QUA
1	233.120.024	Frame		1
2	233.120.020	Jack kit	Kit contains 4 supports	4
3	802.120.650	Bolt M12 x 65		4
4	864.100.030	Washer M12		8
5	830.120.120	Nut M12		4
6	544.170.430	Straight connector G3/8" x 12mm		2
7	545.170.800	Quick connector mail 3/8"		2
8	874.170.020	Cupper washer		2
9				
10				
11				
12				
13				
14				
15				
16				
17				
18				
19				
20				
21				
22				
23				
24				
25				
26				
27				
28				
29				
30				
31				
32				
33				
34				
35				
36				
37				
38				
39				
40				



Spinners

Conveyor belt

Gate Cylinder



Hydraulic schedule Rink DS
550/800/1200/2000