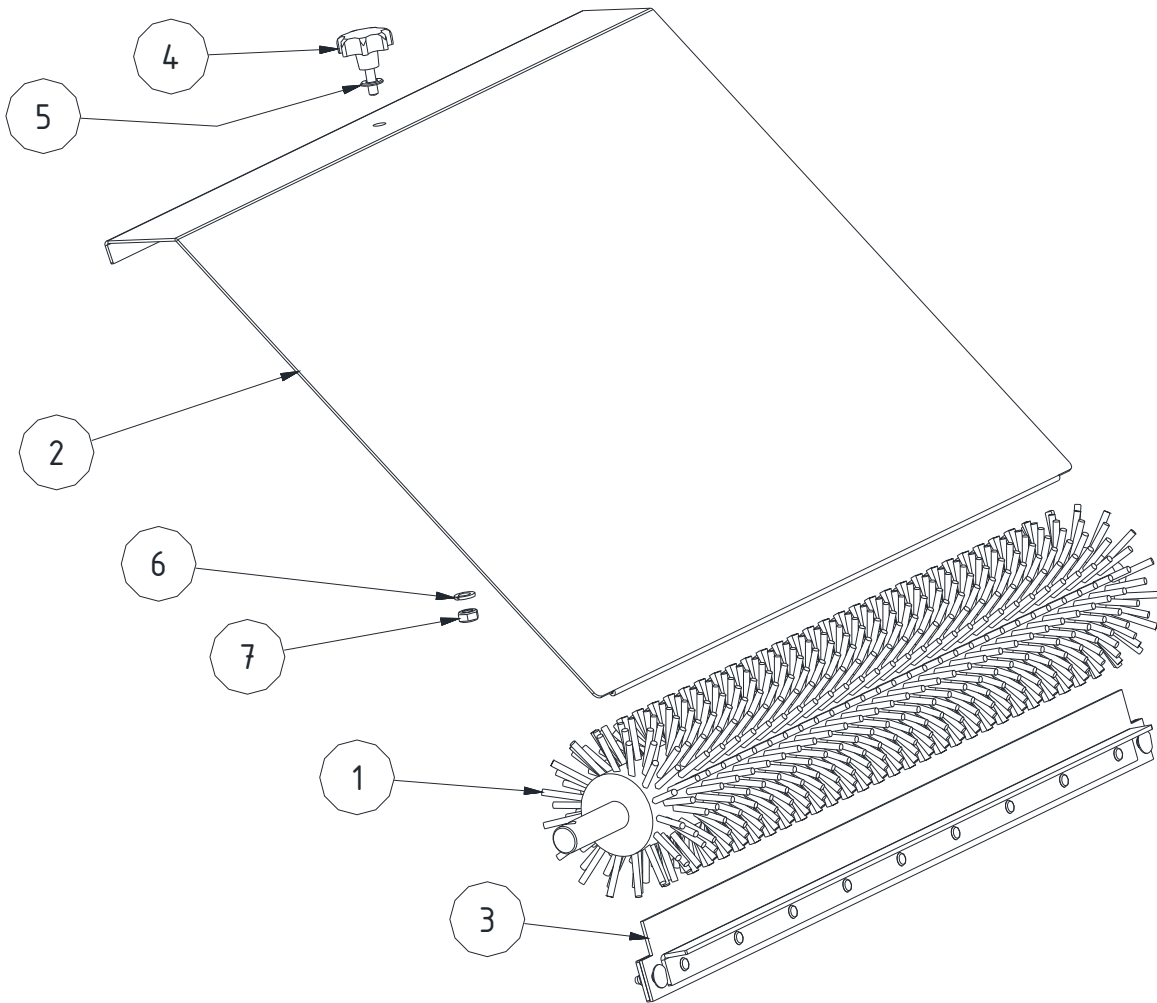
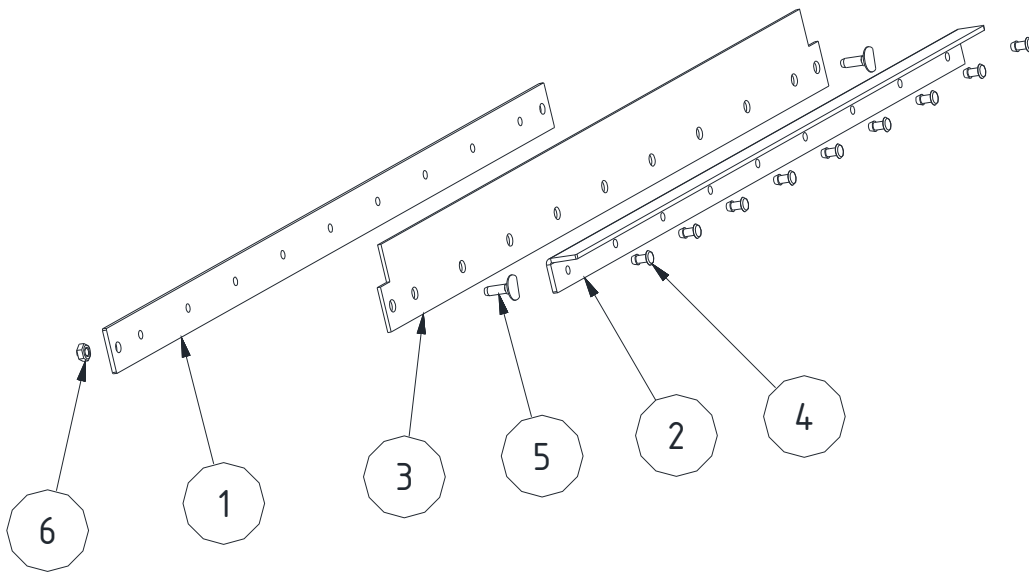


ITEM	PART NUMBER	DESCRIPTION	REMARKS	QUA
1	RGS 16857	Frame complete		1
2	RGS 16884	Valve complete		1
3	RGS 16864	Rotor complete		1
4	RGS 16867	Bush		3
5	RGS 16865	Bush with lock		1
6	RGS 16858	Cover plate		1
7	RGS 16880	Lock plate		1
8	RGS 16887	Handle		1
9	RGS 16879	Cover		1
10	RGS 16873	Driven axle		1
11	RGS 16872	Axle		1
12	RGS 16894	Handlebar complete		1
13	RGS 10606	Bearing		6
14	RGS 16871	Sprocket		2
15	880.060.104	Grease nipple M6		3
16	880.060.100	Grease nipple M6		3
17	RGS 10884	Chain		1
18	RGS 16870	Wheel		4
19	RGS 11041	Knurled knob M8x20		5
20	804.100.350	Bolt M10x35		2
21	804.080.300	Bolt M8x30		12
22	804.080.200	Bolt M8x20		8
23	804.080.120	Bolt M8x12		2
24	818.080.101	Set screw M8x10		6
25	830.080.080	Self-lock nut M10		5
26	830.100.100	Self-lock nut M8		16
27	RGS 10759	Nut M8		4
28	RGS 10556	Special nut M8		2
29	864.100.031	Large washer M10		6
30	864.080.030	Washer M8		20
31	866.080.020	Spring washer M8		16
32	RGS 10267	Rubber		1
33	RGS 16883	Handle cover		1
34	RGS 10533	Type plate		1
35	RGS 10220	Rivet 3x10		4
36	RGS 16874	Kit		1
37	444.803.100	Toolbox		1
38	804.080.300	Bolt M8x30		2
39	RGS 10107	Washer		2
40	RGS 10193	Washer		2
41	RGS 16868	Decal H620		1



ITEM	PART NUMBER	DESCRIPTION	REMARKS	QUA
1	RGS 16895	Brush		1
2	RGS 16892	Guide plate		1
3	RGS 16891	Scraper complete		1
4	RGS 11041	Knurled knob M8x20		1
5	864.080.030	Washer M8		1
6	866.080.020	Spring washer M8		1
7	830.100.100	Self-lock nut M8		1



ITEM	PART NUMBER	DESCRIPTION	REMARKS	QUA
1	RGS 16888	Lock plate		1
2	RGS16889	Lock plate		1
3	RGS 16890	Scraper		1
4	RGS 10219	Rivet 5x16		9
5	820.060.200	Mushroom head bolt M6x20		2
6	830.060.060	Self-lock nut M6		2