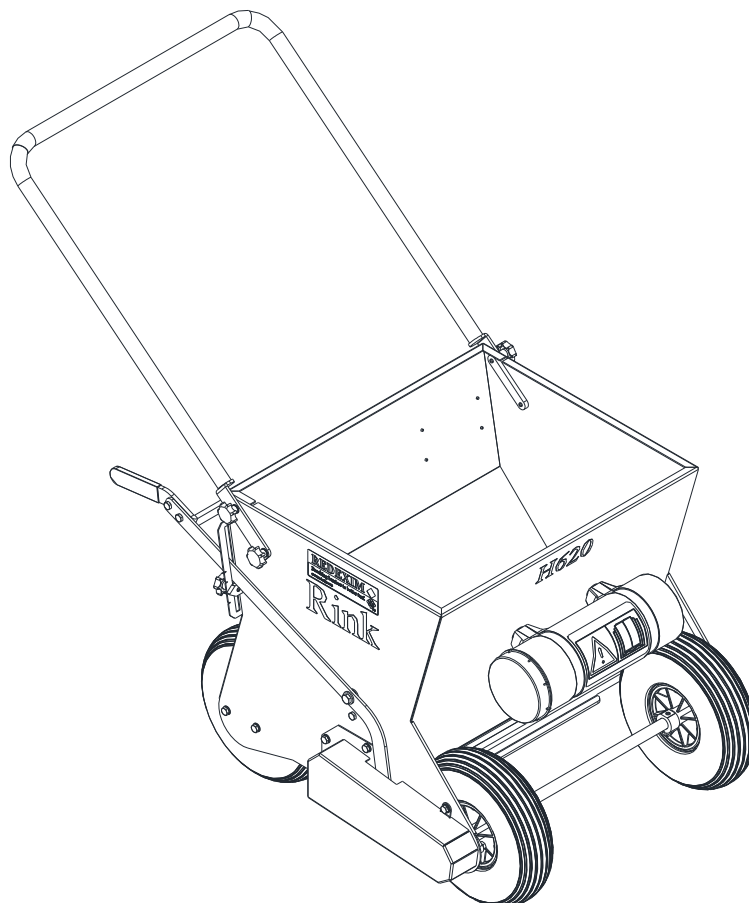




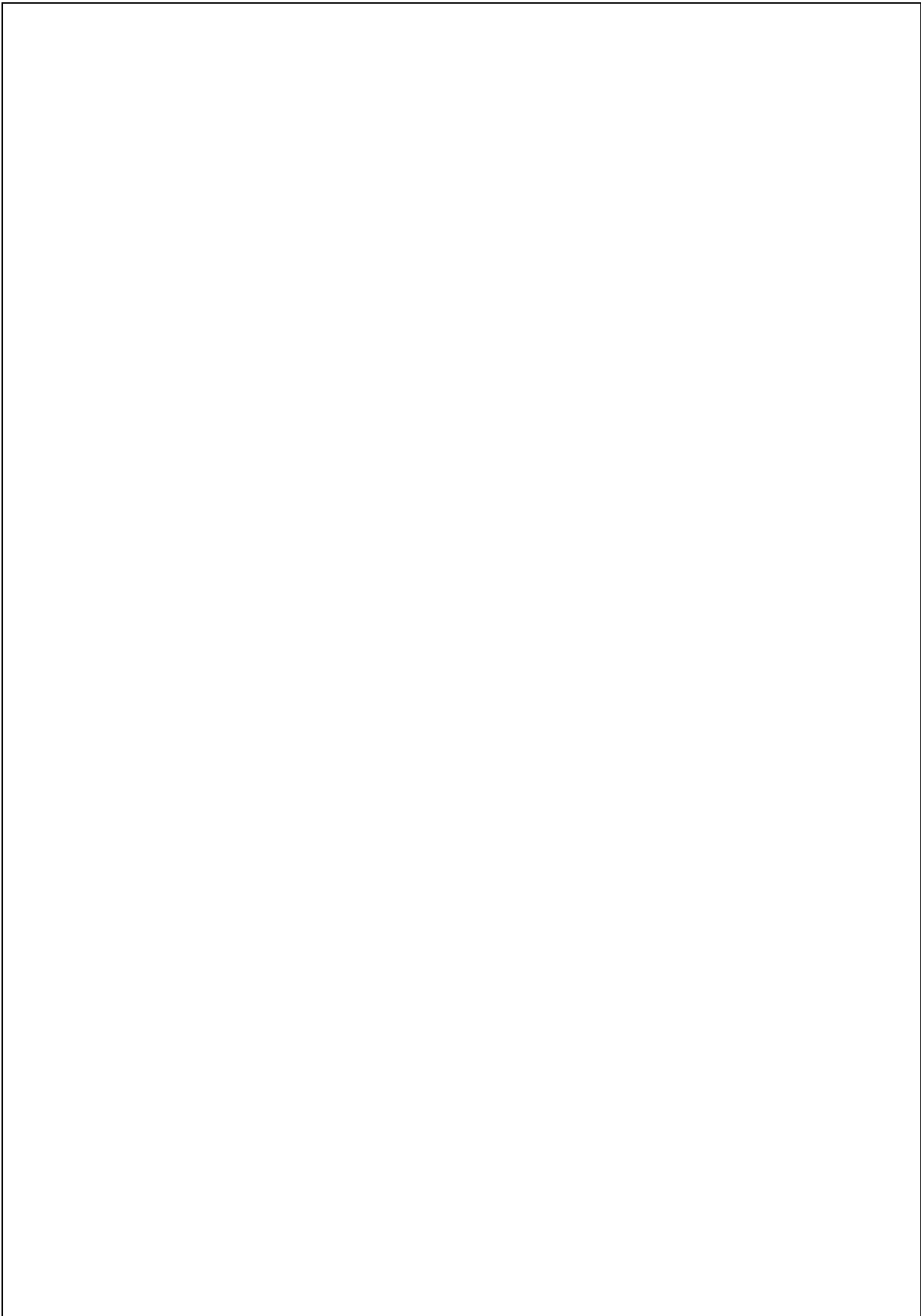
## User Manual

### RINK – Spreader

#### Model H620



**RINK Spezialmaschinen GmbH, D-88279 Amtzell**  
**Telephone 07520/95690**      **Fax 07520/956940**  
[www.rink-spezial.de](http://www.rink-spezial.de)      [info@rink-spezial.de](mailto:info@rink-spezial.de)



# CONTENTS

<b>SAFETY INSTRUCTIONS</b> .....	<b>4</b>
<b>BRIEF DESCRIPTION</b> .....	<b>5</b>
<b>TECHNICAL DATA</b> .....	<b>5</b>
<b>PREPARING FOR FIRST USE</b> .....	<b>6</b>
<b>OPERATION</b> .....	<b>7</b>
Before each use .....	7
Loading .....	7
Operating elements.....	7
<b>SPREADING</b> .....	<b>8</b>
Setting the spreading depth .....	8
<b>CARE and MAINTENANCE</b> .....	<b>9</b>
General instructions .....	9
Lubricate the bearings and chain with multi-purpose grease .....	9
(every 50 operating hours).....	9
Dismantling the spreader roller .....	10
Troubleshooting .....	11
<b>SPECIAL EQUIPMENT</b> .....	<b>12</b>
Brush kit (for dry quartz sand and tennis court clay) .....	12
Setting the scraper and guide plate .....	13
<b>SPARE PARTS</b> .....	<b>14</b>
Address for spare parts orders .....	14
RINK H620 Spreader .....	15
Brush kit .....	17
Scraper unit.....	18

**Subject to technical changes.**



## SAFETY INSTRUCTIONS



- The **RINK H620 Spreader** meets the highest quality and safety standards. It is designed for use on intensively frequented grassed areas.
- Any other use is considered improper use. The manufacturer is not liable for damage caused by improper use; the user alone bears the risk.
- The scope of the intended use also includes compliance with the conditions specified by the manufacturer in relation to operation, maintenance and repairs.
- The **RINK H620 Spreader** is built according to state-of-the-art engineering practice and is safe to operate; however, the **RINK H620 Spreader** may pose a risk to life and limb of the user and other persons if it is not used, maintained and repaired by persons who are familiar with it and have been informed of the dangers.
- Every person who is responsible for the operation, maintenance and repair of the **RINK H620 Spreader** must have read and understood the operating instructions and in particular the **Safety Instructions** section.
- Only **original spare parts supplied by the manufacturer** may be used for repairs.
- In addition to the instructions in this user manual, the generally applicable **safety and accident prevention regulations** must be observed.
- The user **must inspect** the **RINK H620 Spreader** for **visible damage and defects** before putting the equipment into use. Changes to the **RINK H620 Spreader** (including operation) that may have a detrimental effect on safety must be rectified immediately. For safety reasons, making changes or additions to the **RINK H620 Spreader** is strictly forbidden (with the exception of changes/additions approved by the manufacturer). Modifications made to the **RINK H620 Spreader** invalidate the machine's current CE marking, which must then be renewed by the person/party who made the modifications.
- During operation, nobody may be in the danger zone of the **RINK H620 Spreader** as there is a risk of injury caused by rotating parts.
- Make sure you wear appropriate clothing. Wear safety shoes and full-length trousers. Long hair must be tied back. Do not wear loose-fitting items of clothing. Use appropriate personal protective equipment in accordance with the applicable occupational health and safety regulations. **Keep loose-fitting clothing, hands and feet away from the danger zone.**
- Adjustment and repair work may only be carried out by authorized professionally trained staff.

## BRIEF DESCRIPTION

The **RINK H620 Spreader** is used for spreading fine-grained, loose materials such as sand, gravel, granulate or similar. The spreading device in the **RINK H620 Spreader** is chain-driven. The spreading depth/spreading quantity is set with a mechanical slide. This allows precise metering of the spreading material.

## TECHNICAL DATA

### Dimensions

Length .....	0.85 m
Width .....	0.85 m
Height .....	0.70 m

<b>Capacity</b> .....	80 l
<b>Capacity with brush kit</b> .....	60 l

### Weight

Permissible gross weight .....	170 kg
Machine weight when empty .....	48 kg

<b>Spreading reach</b> .....	0.62 m
------------------------------	--------

<b>Tires</b> .....	4 x wheels, 4.00-4
--------------------	--------------------

<b>Tire pressure</b> .....	1.50 – 1.75 bars
----------------------------	------------------

Package dimensions .....	0.85 m x 0.85 m x 0.70 m
--------------------------	--------------------------

The type plate is attached to the rear of the spreader on the left-hand side.

## PREPARING FOR FIRST USE

- Remove the **RINK H620 Spreader** from the box.
- Fit the push bar (1) to the hopper with star knob nuts (2) and washers (3). Depending on the arrangement of the star knobs, the push bar can be adjusted to the desired working height.
- Mount the slide handle (4) to the slide (7) with screws (5) and nuts (6).

**Text in picture:**  
Height adjustment

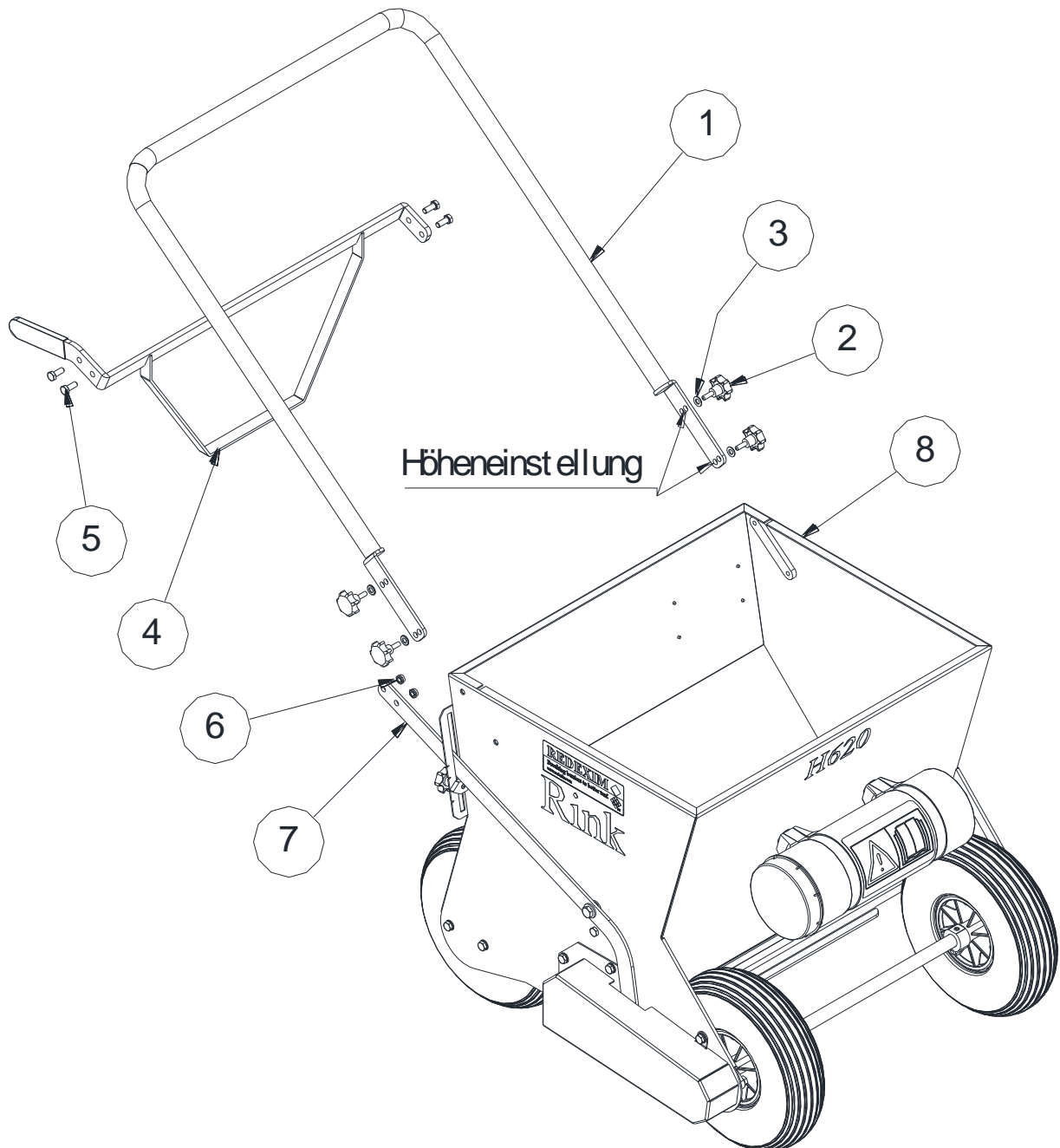


Fig. 1: Preparing for first use

# OPERATION

## Before each use

- Inspect the **RINK H620 Spreader** for externally visible damage and rectify any damage.
- Check the tire pressures.

## Loading

- Comply with the desired maximum ground pressure.
- Comply with the permissible maximum gross weight when loading.

## Operating elements

- (1) Push bar
- (2) Slide handle with foot adjustment
- (3) Slide position indicator

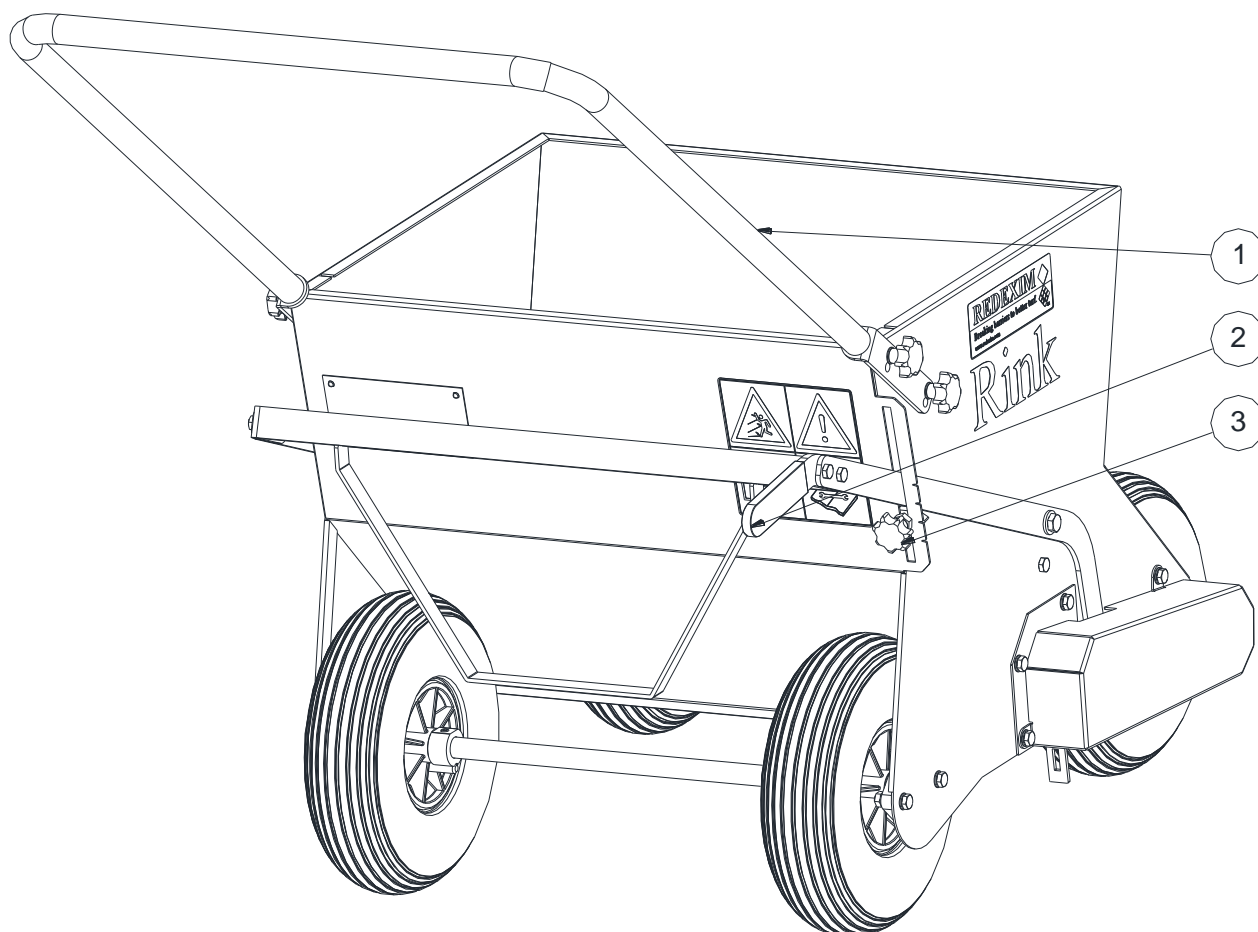


Fig. 2: Operating elements

# SPREADING

## Setting the spreading depth

Set the desired spreading depth on a firm surface before starting work. The spreading depth/spreading quantity depends on the slide opening size. This can be adjusted with the slide handle (1). The slide is completely open when the handle is in the lowest position; in the upper position, the slide is closed.

The desired slide position can be set with the position indicator (2).

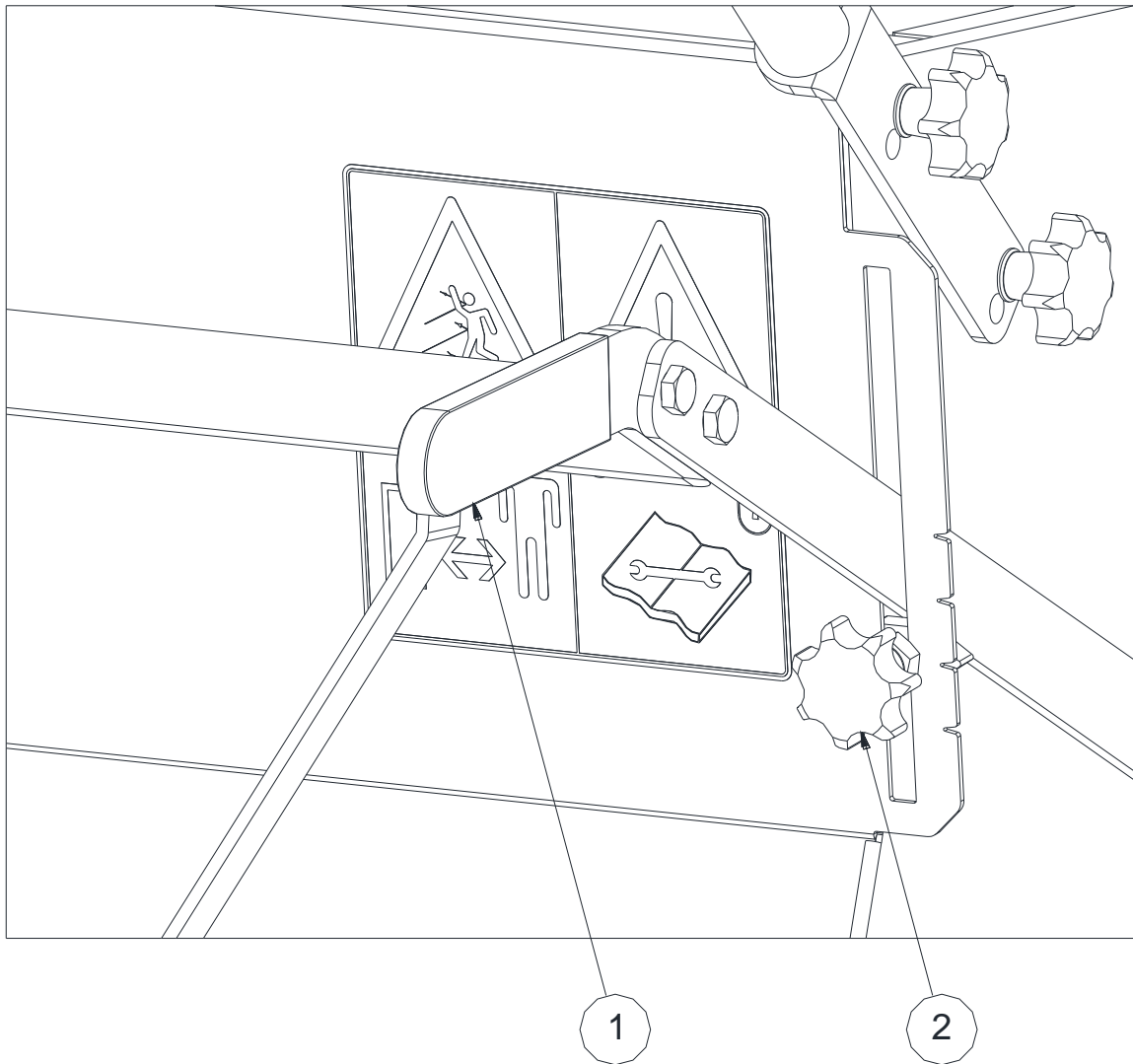


Fig. 3: Setting the spreading depth



# CARE and MAINTENANCE

## General instructions

- Check the **RINK H620 Spreader** for defective parts at regular intervals.

### Lubricate the **bearings and chain with multi-purpose grease (every 50 operating hours)**

To lubricate the bearings (4) and the chain (6), remove the protective cover (1) by loosening the screws (2).

- (3) Bearings on both sides of the free-running axle
- (4) Bearings on both sides of the spreader roller
- (5) Bearings on both sides of the drive axle
- (6) Drive chain

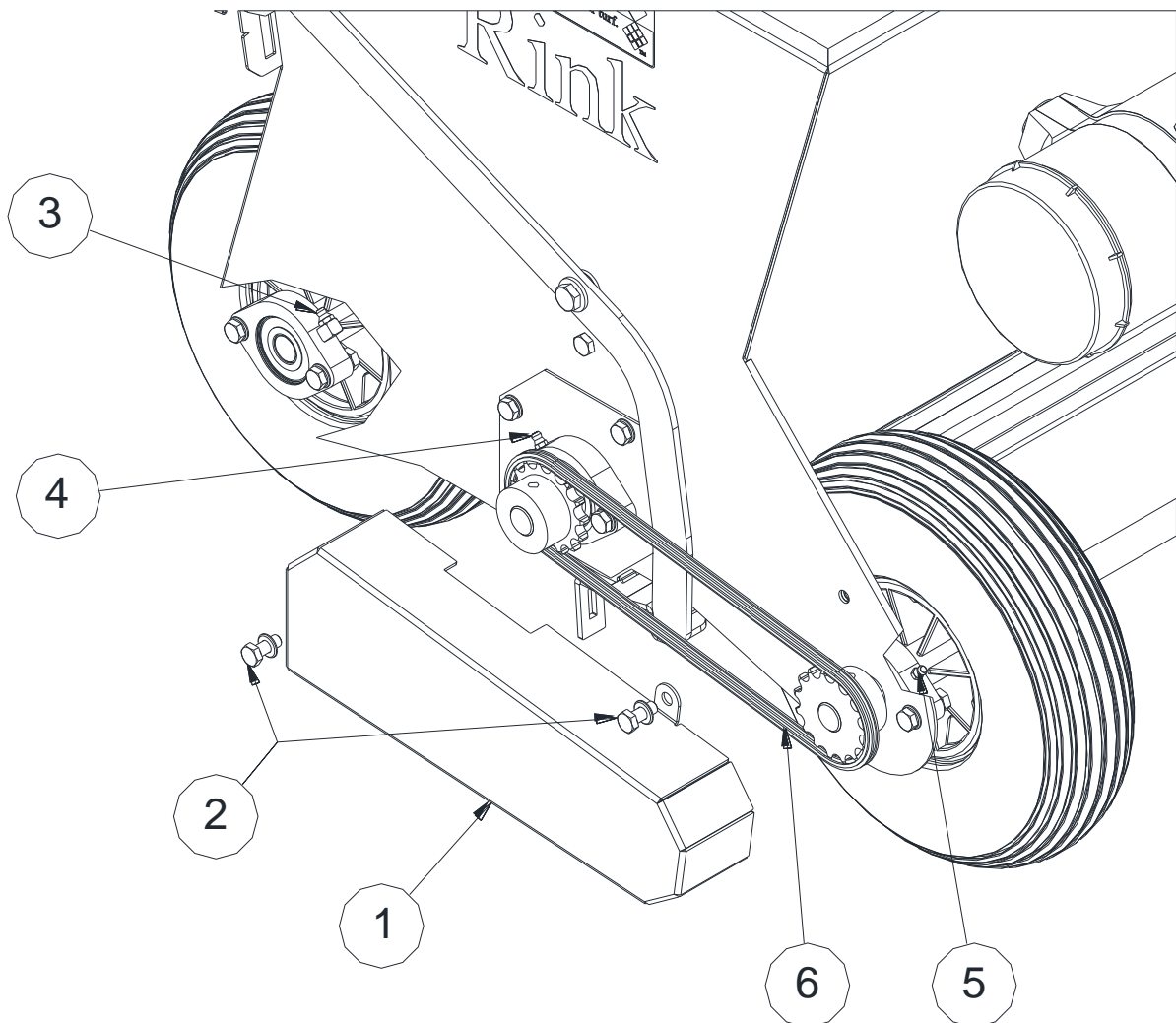


Fig. 4: Lubricating the bearings and chain

## Dismantling the spreader roller

To dismantle the spreader roller, proceed as follows:

- Remove the protective cover (1) by loosening the screws (2).
- Remove the chain (3) by opening the master link.
- Remove the sprocket (4) by loosening the grub screw (5).
- Loosen the bearing set screws (6) on both sides of the spreader roller.
- Remove the side cover (7) by loosening the screws (8).
- Remove the spreader roller (9).

**Perform the procedure in reverse to install.**

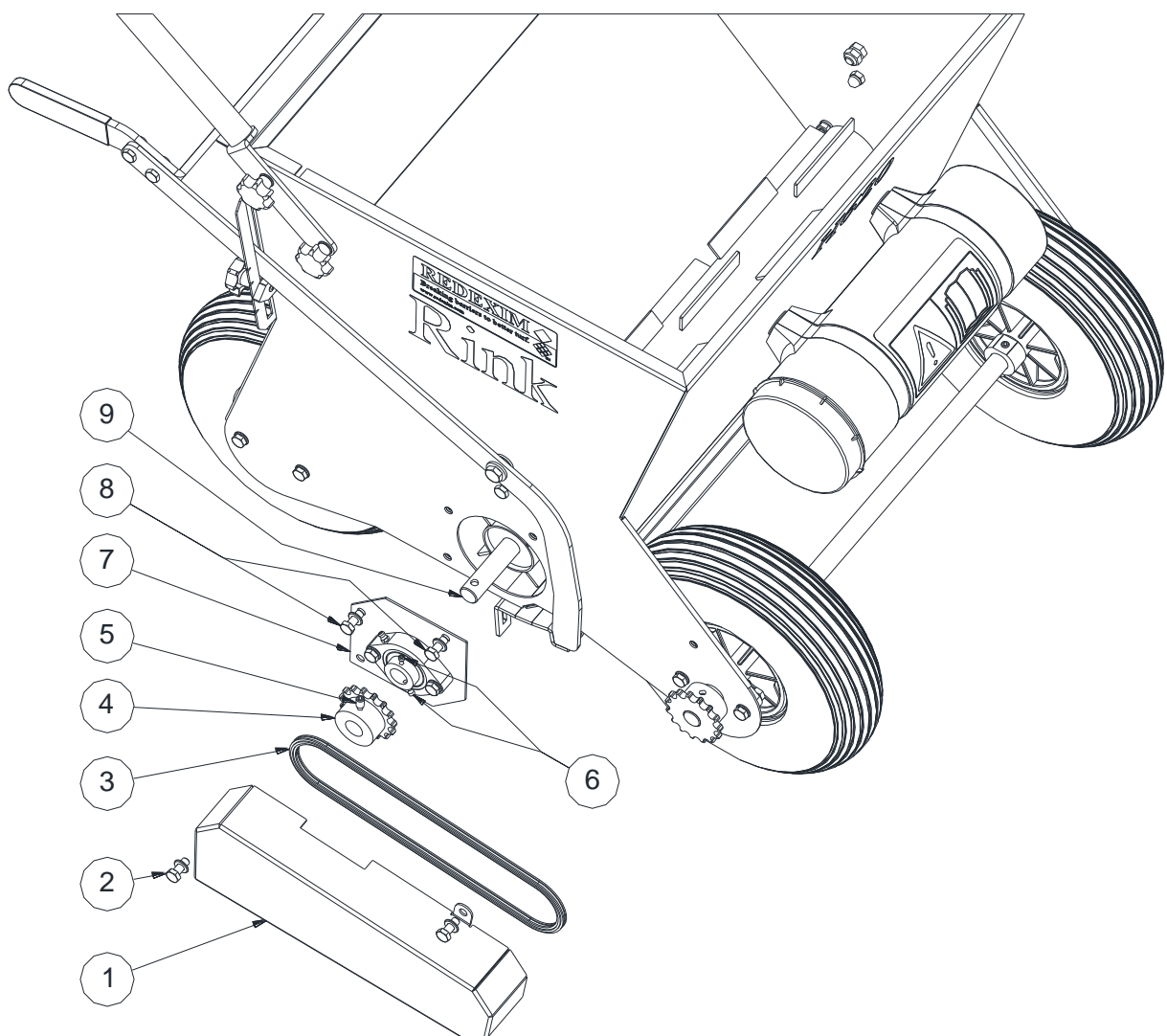


Fig. 5: Dismantling the spreader roller

## Troubleshooting

<b><i>Problem</i></b>	<b><i>Cause</i></b>	<b><i>Solution</i></b>
Spreader roller does not rotate	Defective chain	Check chain (see page 10)
	Sprocket loose	Tighten the grub screw of the sprocket (see page 10)
Slide does not open	Slide fastening elements too tight	Loosen the slide fastening elements
No material comes out of the machine	Slide closed	Check the slide and open it (see page 8)
Spreading depth too thin	Too little material is transported	Increase the slide opening (see page 8)
Spreading depth too thick	Too much material is transported	Reduce the slide opening (see page 8)

Fig. 6: Troubleshooting

## SPECIAL EQUIPMENT

### Brush kit (for dry quartz sand and tennis court clay)

With the brush roller installed, the **RINK H620 Spreader** can be used to spread dry quartz sand and tennis court clay. To fit the brush roller instead of the spreader roller, proceed as follows:

- Remove the spreader roller and fit the brush roller in its place (1). (see page 10)
- Fit the scraper (2) to the slide (5) with screws (3) and nuts (4) so that it touches the brush roller (1).
- Release the star knob nut (7) and fold back the push bar (8).
- Insert the guide plate (6).
- Return the push bar (8) to its original position and secure it with the star knob nut (7).

**Perform the procedure in reverse to remove.**

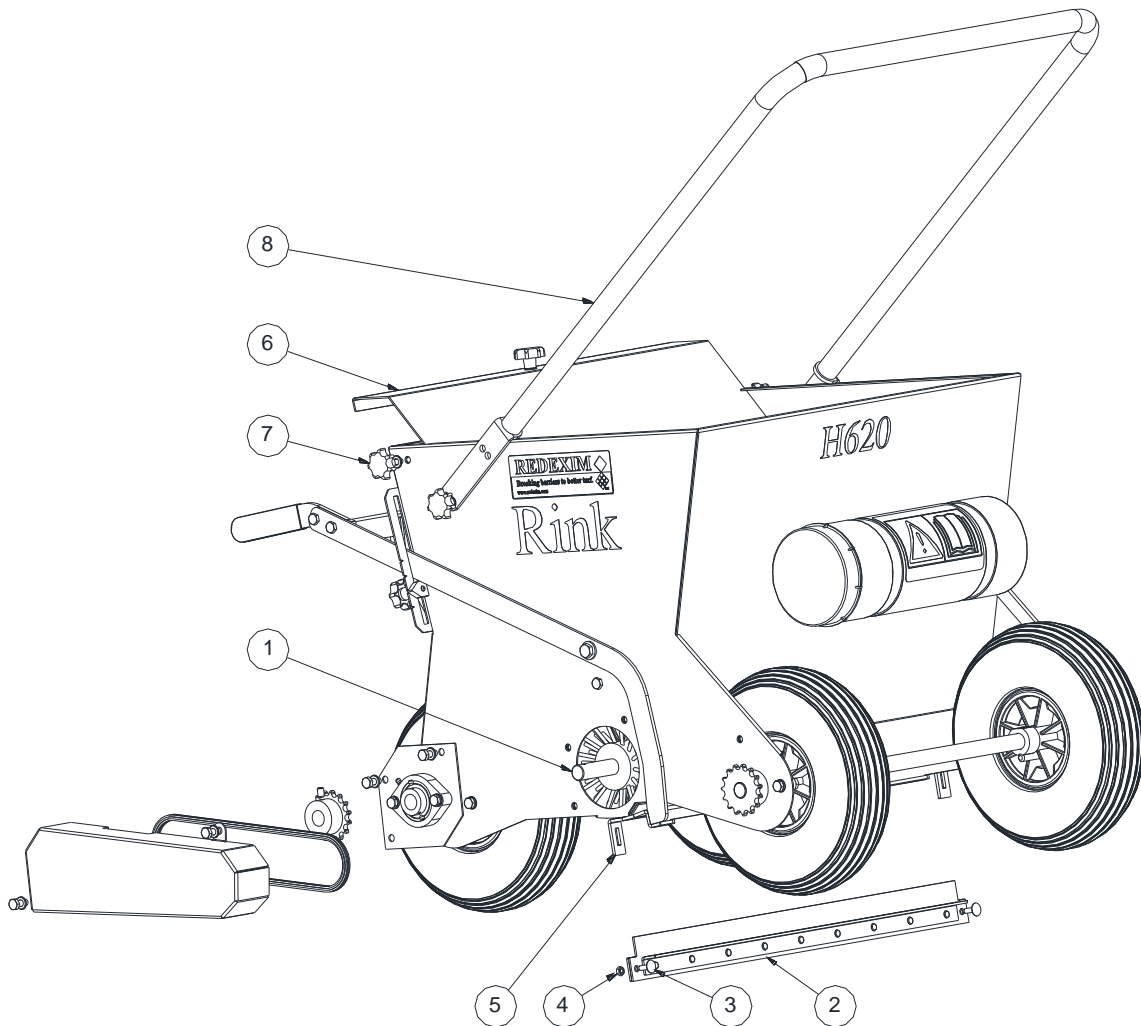


Fig. 7: Brush kit installation

## Setting the scraper and guide plate

In order to achieve the most uniform possible spreading pattern, the scraper (2) must make light contact with the brush roller (1). Push the scraper (2) upwards in the direction of the arrow as required.

Spreading with a brush roller is only possible when the guide plate (3) is in place. This channels the spreading material to the brush roller.



**Dismantling the guide plate leads to clogging of the brush roller!**

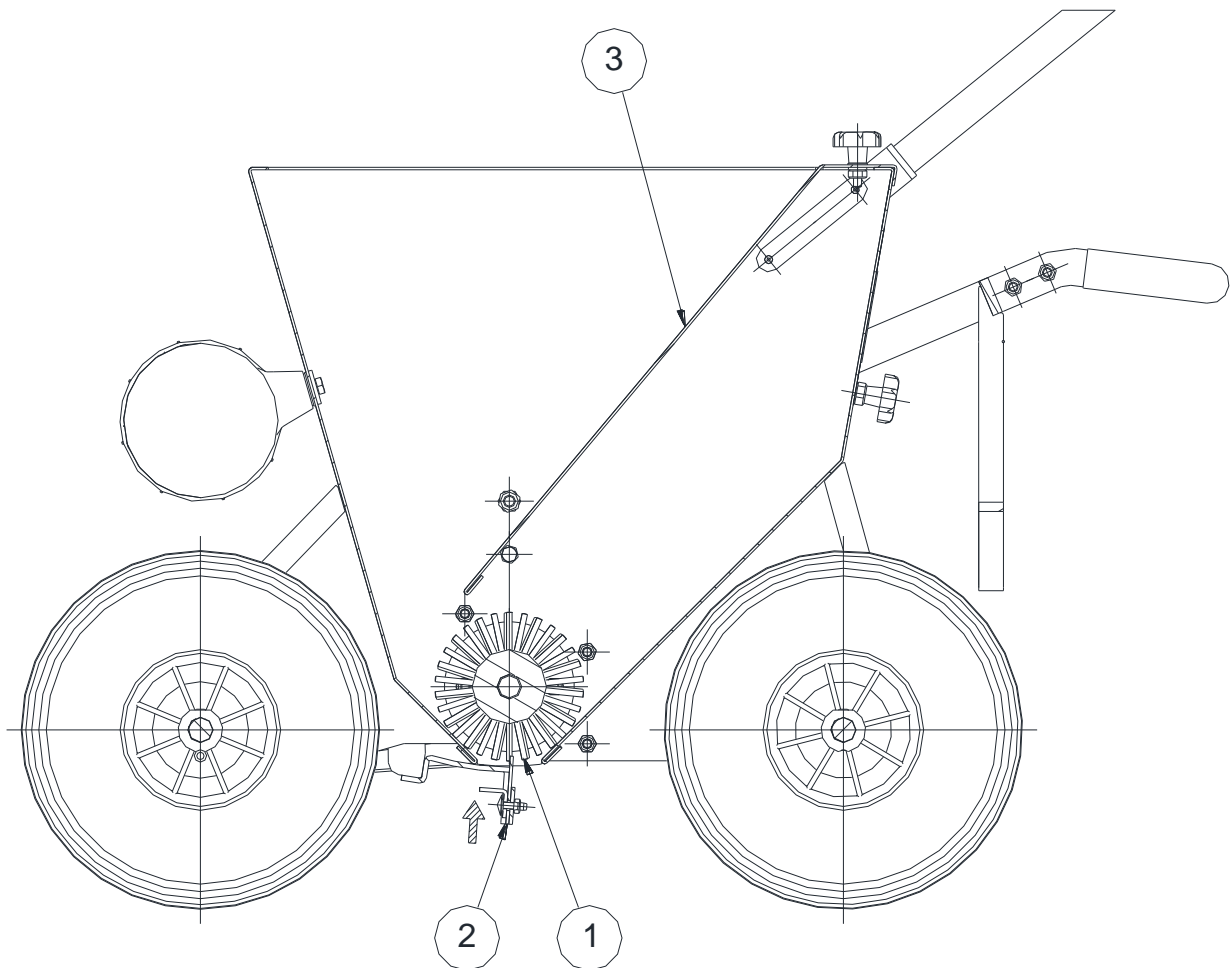


Fig. 8: Adjusting the scraper

# SPARE PARTS

## RINK H620 Spreader

### Address for spare parts orders

Rink Spezialmaschinen GmbH  
Alfons-Stübe-Weg 4  
D-88279 Amtzell

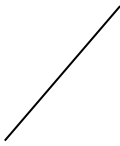




Telephone (07520) 95690  
Fax (07520) 956940  
Email: info@rink-spezial.de

### Ordering spare parts

To ensure fast processing of your spare parts order, you must provide the following information with every order:

- Chassis number or identification number
- Year of construction (if available)
- Part no. shown on the spare parts list for the machine in question
- Designation
- Order number

Example of an order: 149413    2014    13    Pillow block bearing    10606

				
Chassis no.	Year of construction	Part no.	Designation	Order no.

# RINK H620 Spreader

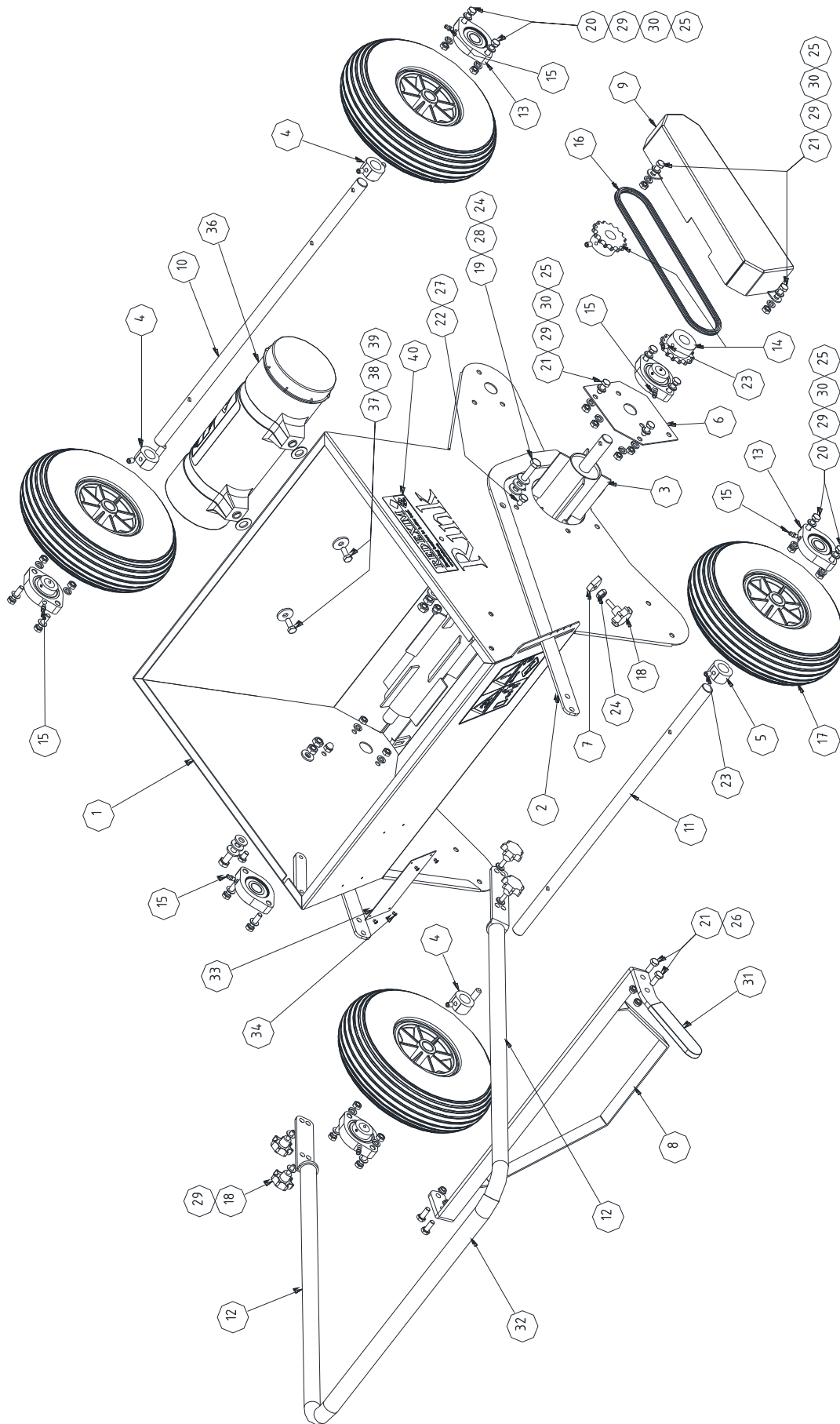


Fig. 9: RINK H620 Spreader

### Spare parts list for the RINK H620 Spreader

Part	Order number	Description	Notes	Quantity
1	16857	Hopper unit		1
2	16884	Slide unit		1
3	16864	Spreader roller unit		1
4	16867	Coupling		3
5	16865	Threaded coupling		1
6	16858	Side cover		1
7	16880	Threaded clamping plate		1
8	16887	Slide handle		1
9	16879	Chain guard		1
10	16873	Drive axle		1
11	16872	Shaft		1
12	16894	Push bar unit		1
13	10606	Pillow block bearing		6
14	16871	Sprocket		2
15	10497	Grease nipple M6-1H1		6
16	10884	Chain		1
17	16870	Wheel		4
18	11041	Star knob nut M8x20		5
19	10595	Hexagon head screw M10x40		2
20	10636	Hexagon head screw M8x30		12
21	10146	Hexagon head screw M8x20		8
22	10150	Hexagon head screw M8x12		2
23	10175	Grub screw M8x12		6
24	10178	Hexagon nut M10		5
25	10185	Hexagon nut M8		16
26	10759	Hexagon lock nut M8		4
27	10556	Cap nut M8		2
28	10054	Conical spring washer Ø10		10
29	10550	Washer Ø8		20
30	10134	Spring washer		16
31	10267	Flat handle, plastic, black		1
32	16883	Push bar grip		1
33	10533	Type plate		1
34	10220	Blind rivet 3x10		4
35	16874	Brush kit		1
36	11168	Holder for user manual		1
37	10146	Hexagon head screw M8x30		2
38	10107	Washer		2
39	10193	Washer		2
40	16868	H620 sticker set		1



## Brush kit

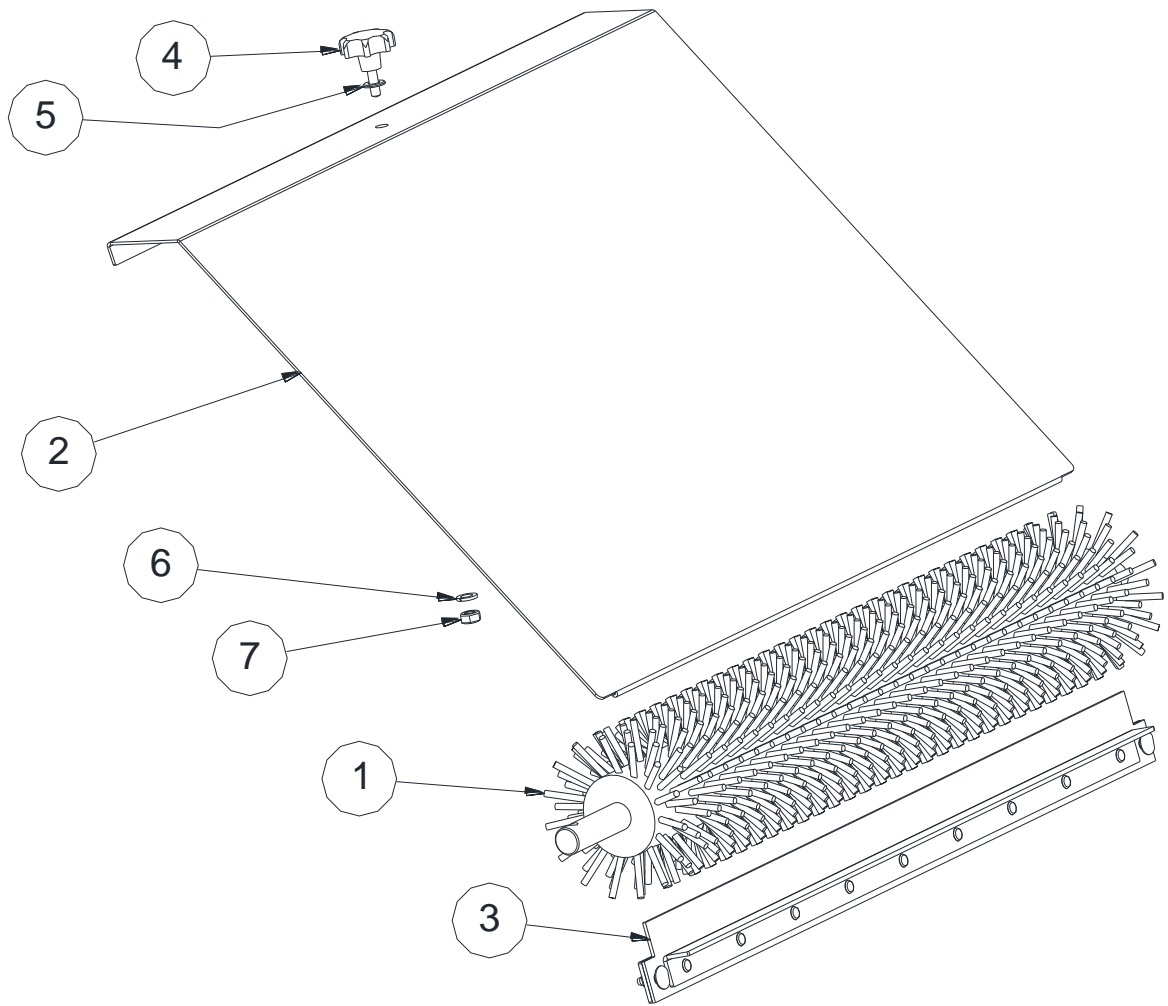


Fig. 10: Brush kit

### Spare parts list for the RINK brush kit

Part	Order number	Description	Notes	Quantity
1	16895	Brush roller		1
2	16892	Guide plate		1
3	16891	Scraper unit		1
4	11041	Star knob nut M8x20		1
5	10550	Washer Ø8		1
6	10134	Spring washer		1
7	10185	Hexagon nut M8		1

# Scraper unit

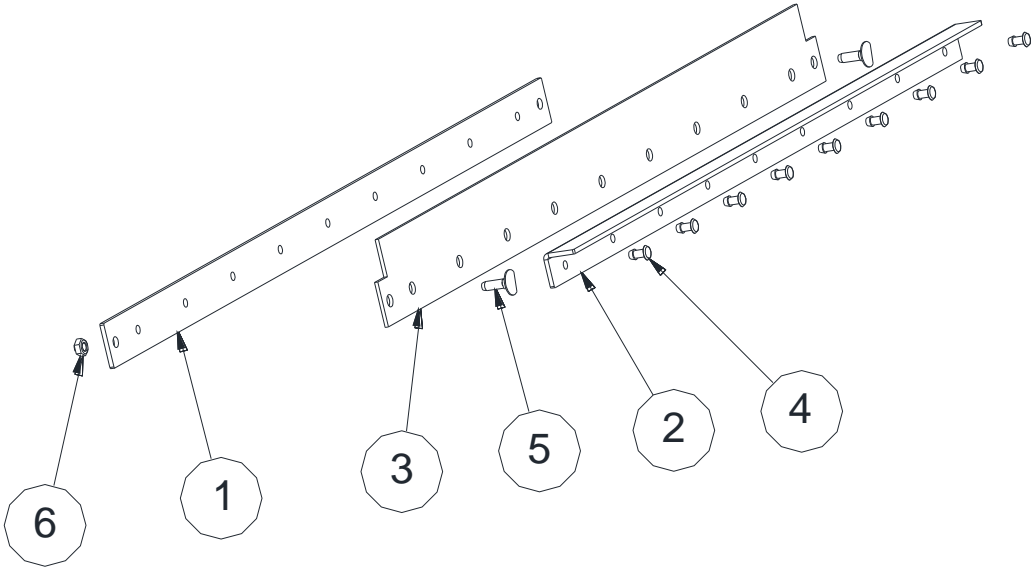


Fig. 11: Scraper unit

**Spare parts list for the RINK scraper unit**

Part	Order number	Description	Notes	Quantity
1	16888	Fixing bar for rubber		1
2	16889	Fixing bar for rubber		1
3	16890	Rubber scraper		1
4	10219	Blind rivet 5x16		9
5	10357	Carriage bolt M6x20		2
6	10493	Hexagon nut M6		2