

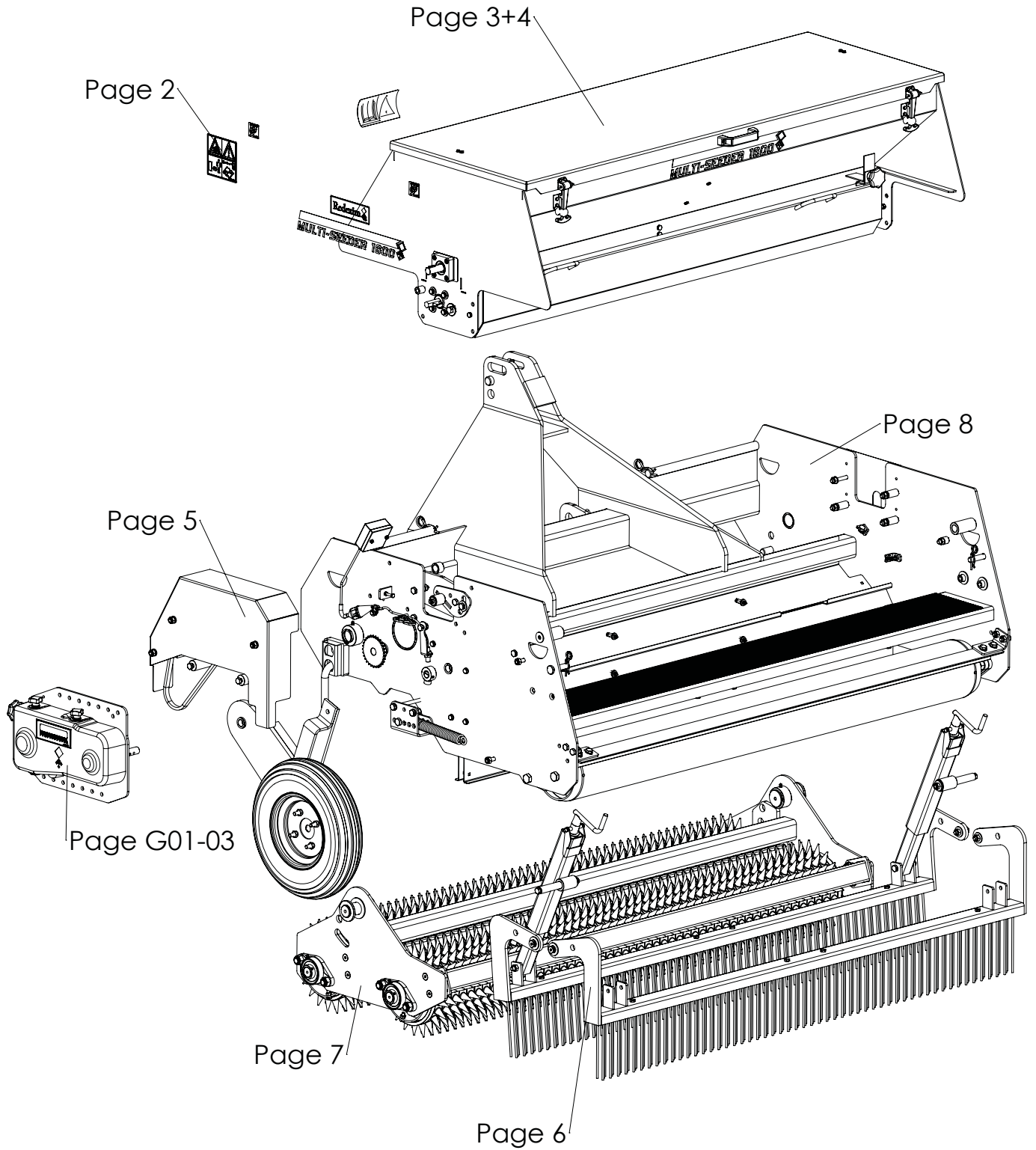
## **MULTI-SEEDER 1200-1600-2100**

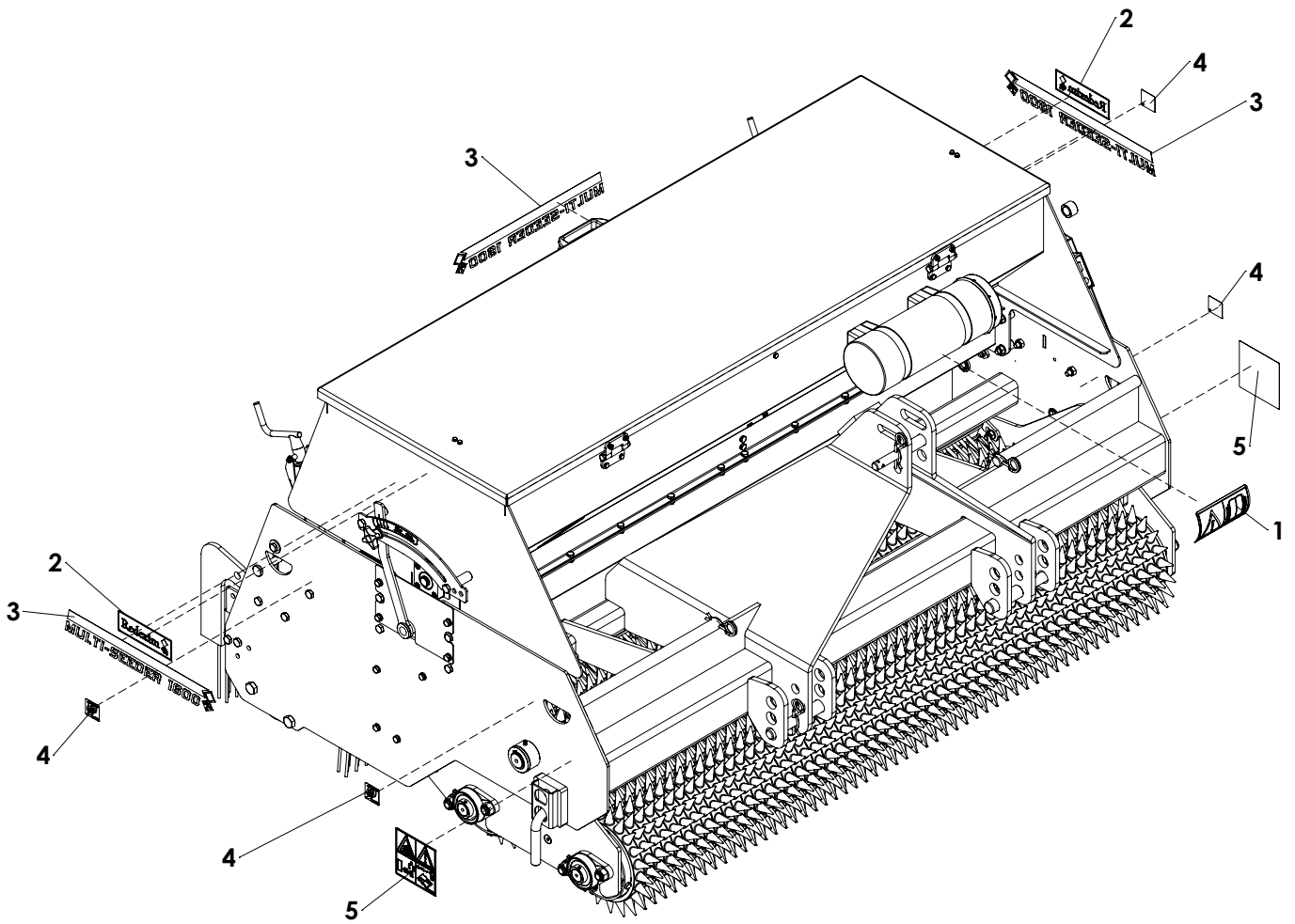


Version: 2242

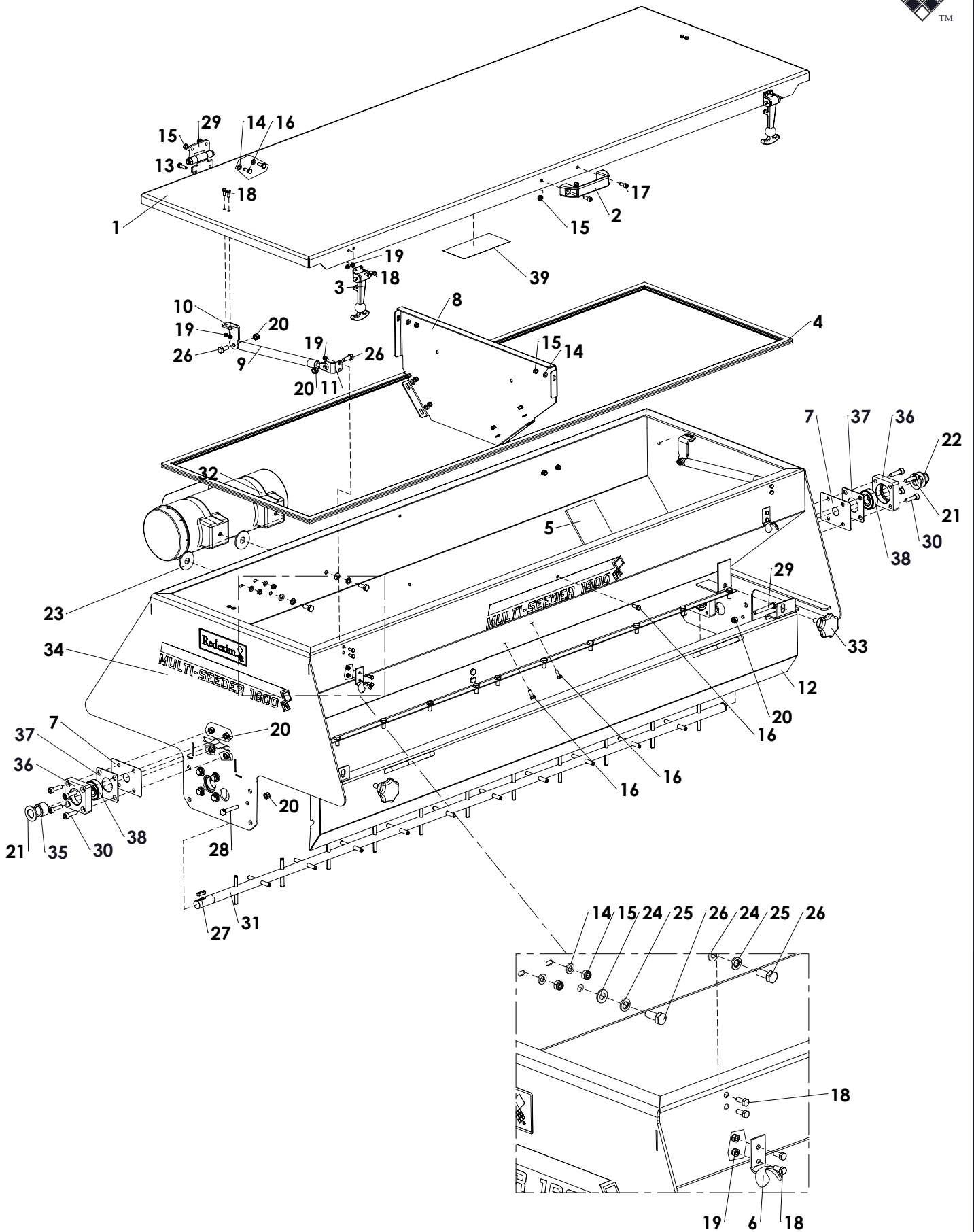


Kwekerijweg 8 | 3709JA | Zeist | The Netherlands |  
T: +31 (0)306 933 227  
E: [redexim@redexim.com](mailto:redexim@redexim.com)  
W: [www.redexim.com](http://www.redexim.com)

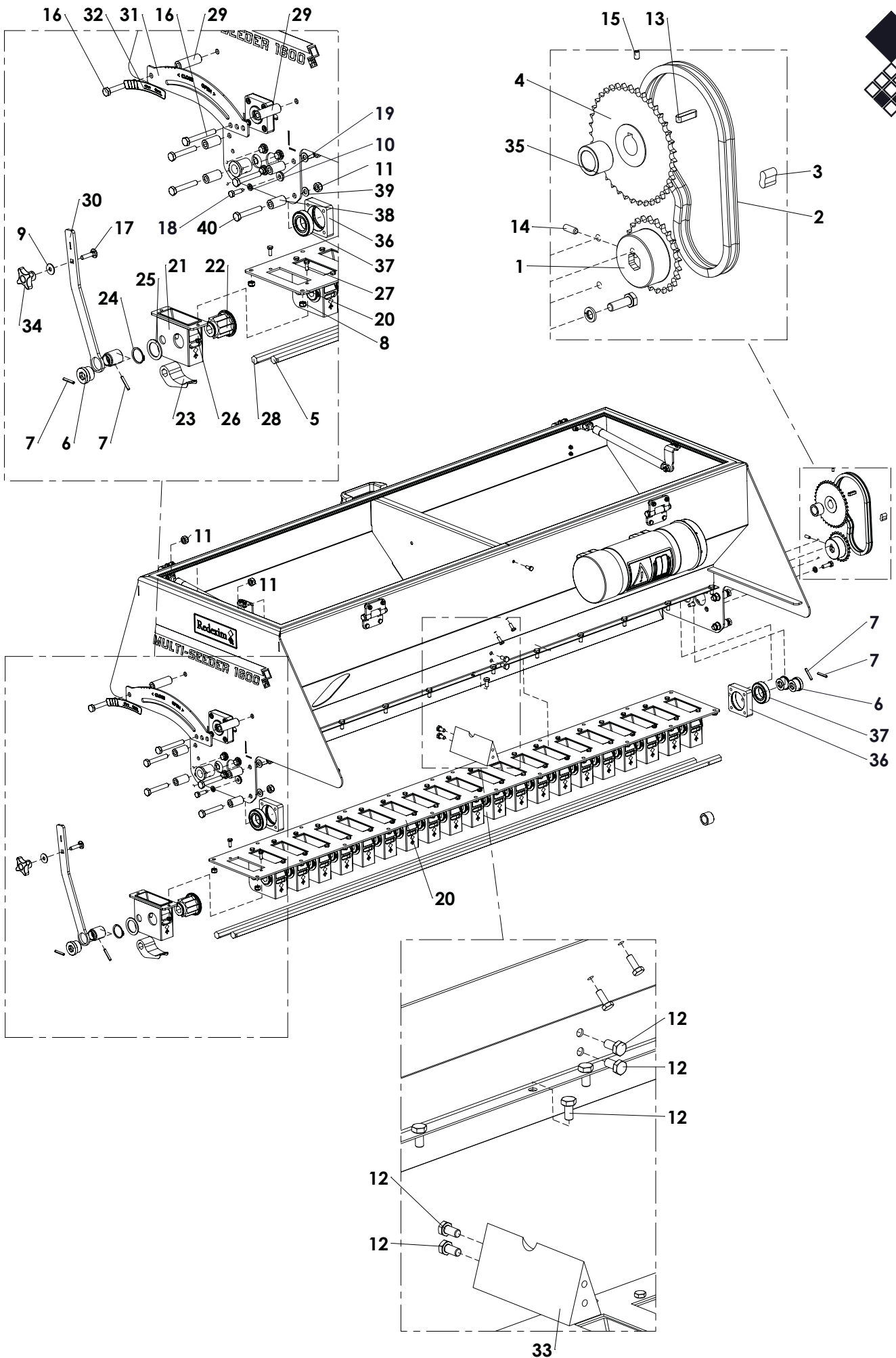




ITEM	PART NUMBER	DESCRIPTION	REMARKS	QUA
1	900.280.402	Safety decall manual		1
2	900.260.401	Logo Label		2
3	922.260.413	Label Multi-Seeder 1600		3
	922.260.421	Label Multi-Seeder 2100		3
	922.260.415	Label Multi-Seeder 1200		3
4	922.340.008	Decall fixation point		4
5	921.280.402	Safety decall VS		2



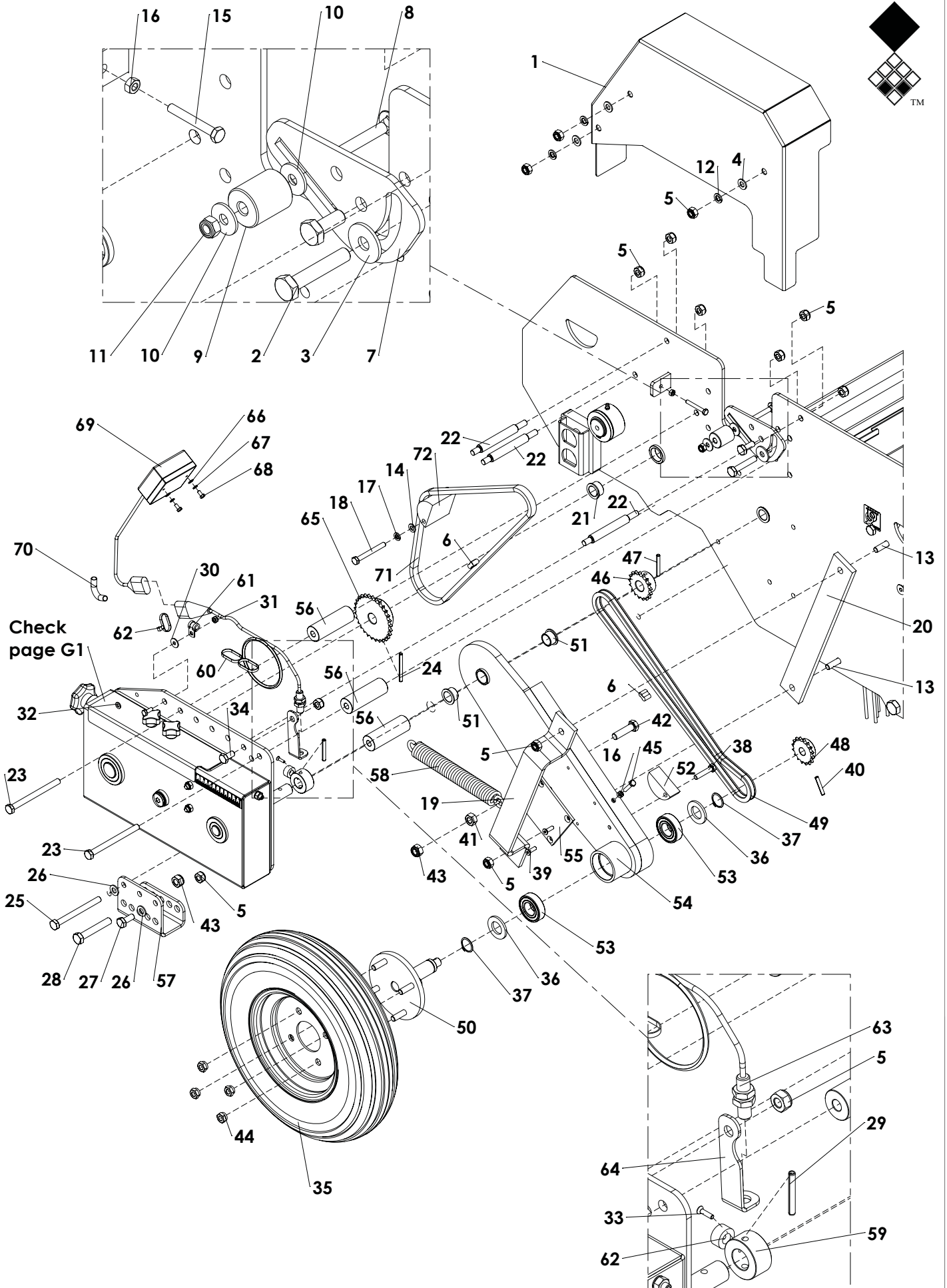
ITEM	PART NUMBER	DESCRIPTION	REMARKS	QUA 1200	QUA 1600	QUA 2100
1	456.162.046	Cover	Multiseeder 1600	0	1	0
	456.210.490	Cover	Multiseeder 2100	0	0	1
	456.123.057	Cover	Multiseeder 1200	1	0	0
2	444.151.250	Handle		1	1	1
3	590.650.000	Rubber lock assy		2	2	2
4	446.109.236	Rubber U-seal 1-4mm L=4120mm	Multiseeder 1600	0	1	0
	446.109.340	Rubber U-seal 1-4mm L=5170mm	Multiseeder 2100	0	0	1
	446.108.334	Rubber U-seal 1-4mm L=3344mm	Multiseeder 1200	1	0	0
5	444.051.802	Window		1	1	1
6	590.650.000	Bracket for latch		2	2	2
7	468.011.002	Cover plate		2	2	2
8	468.025.280	Reinforcement plate seed hopper		1	1	1
9	571.224.854	Gas strut L=485/stroke=200, F=150N		2	2	2
10	468.040.654	Support L=65mm		2	2	2
11	468.040.302	Support L=30mm		2	2	2
12	470.029.155	Cover beam	Multiseeder 1600	0	1	0
	470.029.203	Cover beam	Multiseeder 2100	0	0	1
	470.029.116	Cover beam	Multiseeder 1200	1	0	0
13	804.060.200	Bolt M6 x 20 - ISO 4017		4	4	6
14	864.060.030	Washer M6 - ISO 7089		14	14	18
15	830.060.060	Self Lock Nut M6 - ISO 10511		16	16	20
16	804.060.160	Bolt M6 x 16 - ISO 4017		10	10	12
17	814.060.150	Bolt M6 x 16 - DIN 912		2	2	2
18	804.050.120	Bolt M5 x 12 - ISO 4017		16	16	16
19	830.050.050	Self Lock Nut M5 - ISO 10511		16	16	16
20	830.080.080	Self Lock Nut M8 - ISO 10511		14	14	14
21	864.200.030	Washer M20 - ISO 7089		3	3	3
22	870.020.120	Circlip d=20 - DIN 471		1	1	1
23	864.140.031	Large washer M14 - DIN 9021		2	2	2
24	864.080.030	Washer M8 - ISO 7089		2	2	2
25	866.080.020	Spring Washer M8 - DIN 127		2	2	2
26	804.080.200	Bolt M8 x 20 - ISO 4017		6	6	6
27	884.060.250	Key 6x6x25 - DIN 6885		1	1	1
28	804.080.450	Bolt M8 x 45 - ISO 4017		1	1	1
29	804.080.600	Bolt M8 x 60 - ISO 4017		1	1	1
30	814.080.300	Bolt M8 x 30 - DIN 912		8	8	8
31	474.809.170	Agitator shaft	Multiseeder 1600	0	1	0
	474.809.223	Agitator shaft	Multiseeder 2100	0	0	1
	474.809.130	Agitator shaft	Multiseeder 1200	1	0	0
32	444.803.100	Toolbox Complete		1	1	1
33	836.100.520	Knurled knob M10x20		2	2	2
34	494.161.089	Multi-Seeder 1600 hopper	Multiseeder 1600	0	1	0
	494.214.089	Multi-Seeder 2100 hopper	Multiseeder 2100	0	0	1
	494.122.089	Multi-Seeder 1200 hopper	Multiseeder 1200	1	0	0
35	406.200.202	Distance bush Ø30/Ø20.5 L=20		1	1	1
36	468.180.702	Bearing block		2	2	2
37	468.020.704	Cover plate		2	2	2
38	713.200.140	Bearing 6204-C-2HRS		2	2	2
39	924.280.000	Decal seed hopper		1	1	1



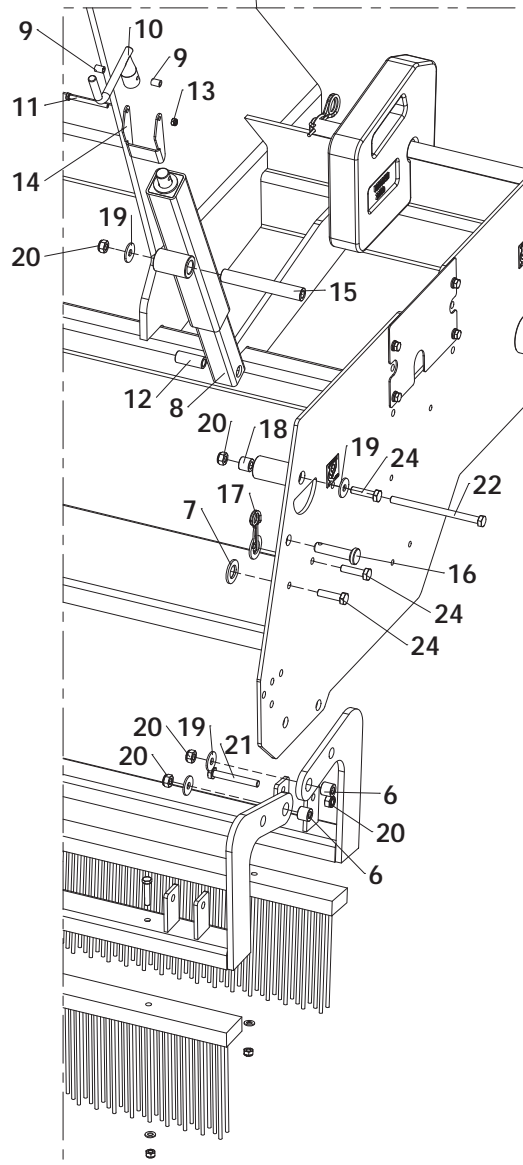
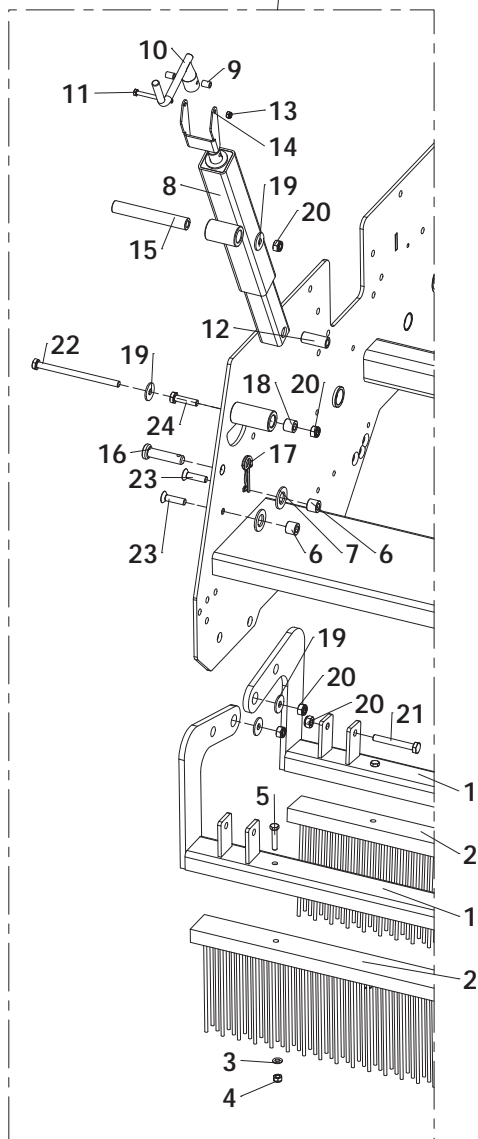
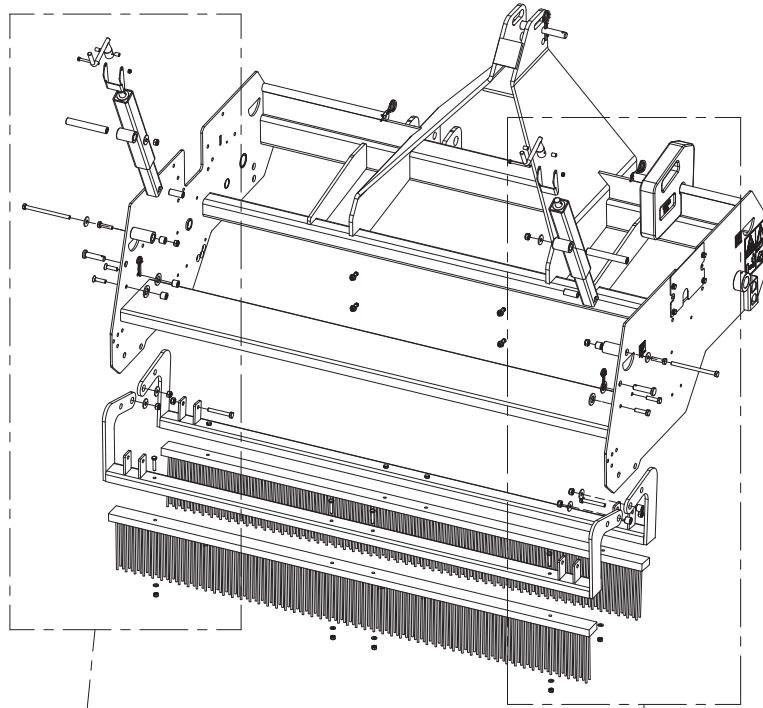


ITEM	PART NUMBER	DESCRIPTION	REMARKS	QUA 1200	QUA 1600	QUA 2100
1	635.000.776	Sprocket 3/8" (06B) simplex Z24 Hex 16.2		1	1	1
2	631.000.489	Chain 3/8x7/32", L=524		1	1	1
3	638.090.090	Chain connector 3_8 inch 6B Simplex		1	1	1
4	484.014.004	Weldment sprocket		1	1	1
5	422.169.169	Driveshaft L=1670	Multiseeder 1600	0	1	0
	422.169.219	Driveshaft L=2195	Multiseeder 2100	0	0	1
	422.169.128	Driveshaft L=1470	Multiseeder 1200	1	0	0
6	410.160.182	Bush		2	2	2
7	878.050.320	Roll pin Ø5x32		4	4	4
8	830.080.080	Self Lock Nut M8 - ISO 10511		32	36	44
9	864.080.024	Large washer M8 - DIN 9021		1	1	1
10	866.080.020	Spring Washer M8 - DIN 127		8	8	8
11	830.100.100	Self Lock Nut M10 - ISO 10511		10	10	10
12	804.080.160	Bolt M8 x 16 - ISO 4017		24	28	36
13	884.060.250	Key 6x6x25 - DIN 6885		1	1	1
14	818.060.160	Set screw M6 x 16 Din 913		1	1	1
15	818.050.080	Set screw M5 x 8 - DIN 913		1	1	1
16	802.100.800	Bolt M10 x 80 - ISO 4014		2	2	2
17	820.080.350	MH Bolt M8 x 35 ISO 8677		1	1	1
18	804.080.250	Bolt M8 x 25 - ISO 4017		8	8	8
19	864.080.043	Washer M8 - DIN 7349		8	8	8
20	468.049.152	Plate L=1592	Multiseeder 1600	0	1	0
	468.049.209	Plate L=2195	Multiseeder 2100	0	0	1
	468.049.124	Plate L=1470	Multiseeder 1200	1	0	0
21	444.050.133P	Seed element casing		15	21	28
22	444.058.510P	Seed element rotor		15	21	28
23	444.034.760P	Seed element valve		15	21	28
24	870.032.160	Circlip d=32 - DIN 471		15	21	28
25	412.020.450	Washer		15	21	28
26	830.060.060	Self Lock Nut M6 - ISO 10511		30	42	56
27	804.060.160	Bolt M6 x 16 - ISO 4017		30	42	56
28	422.169.164	Valveshaft L=1641	Multiseeder 1600	0	1	0
	422.169.216	Valveshaft L=2117	Multiseeder 2100	0	0	1
	422.169.125	Valveshaft L=1202	Multiseeder 1200	1	0	0
29	406.110.600	Distance bush Ø20/Ø10.5 L=60		2	2	2
30	464.063.134	Valve adjustment		1	1	1
31	464.041.752	Guide strip		1	1	1
32	924.340.001	Decall adjustment valve		1	1	1
33	444.202.180	Guide Block		1	1	1
34	836.080.260	Knob M8 - Din 6335		1	1	1
35	406.200.202	Distance bush Ø30/Ø20.5 L=20		1	1	1
36	468.180.706	Bearing block		2	2	2
37	713.300.130	Bearing 6006 LLU		2	2	2
38	402.100.380	Distance bush		4	4	4
39	864.100.030	Washer M10 - ISO 7089		8	8	8
40	802.100.650	Bolt M10 x 65 - ISO 4014		4	4	4

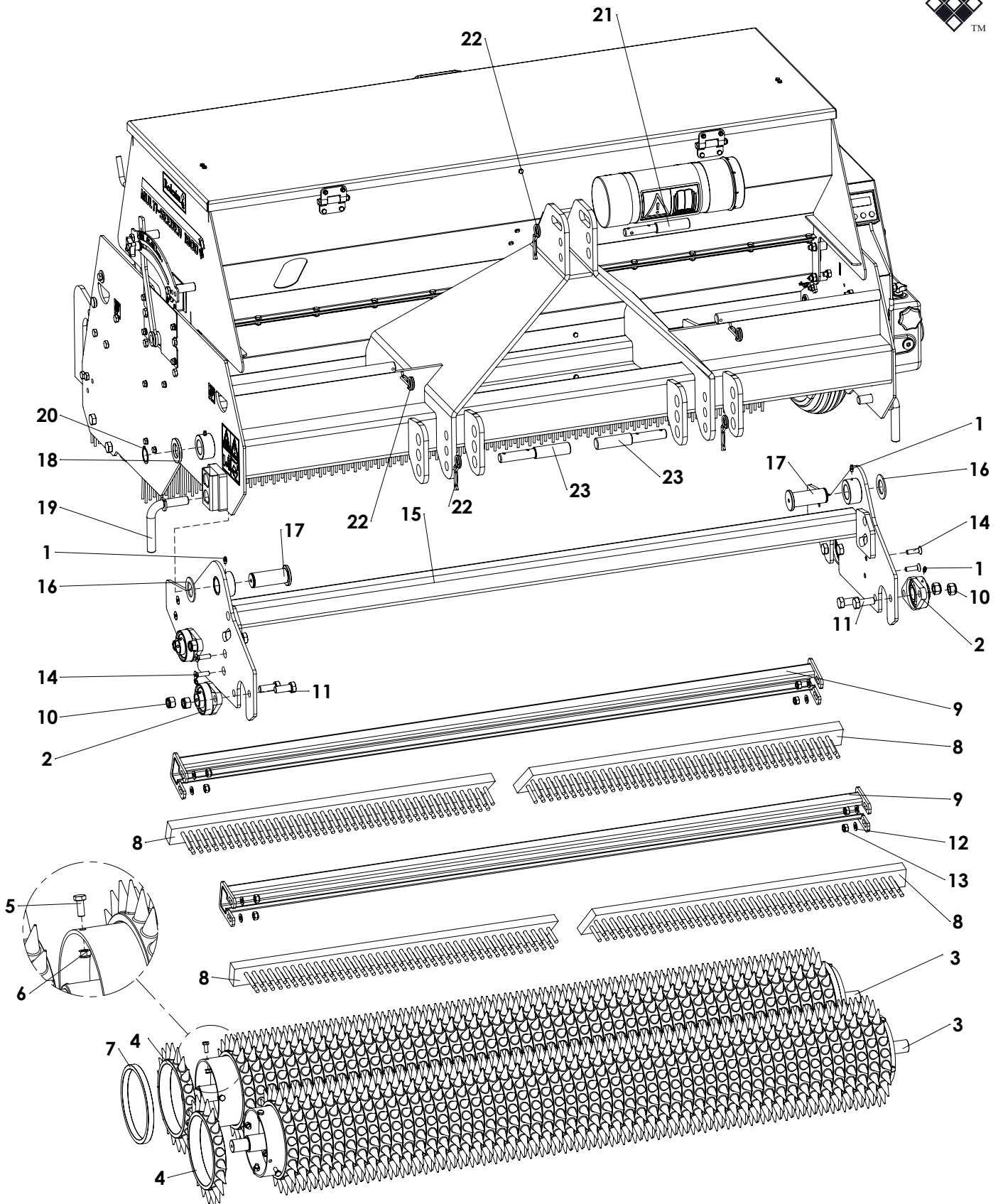




	PART NUMBER	DESCRIPTION	REMARKS	QUA 1200	QUA 1600	QUA 2100
1	456.046.010	Side cover		1	1	1
2	802.100.550	Bolt M10 x 55 - ISO 4014		1	1	1
3	864.100.031	Large washer M10 - DIN 9021		1	1	1
4	864.100.030	Washer M10 - ISO 7089		3	3	3
5	830.100.100	Self Lock Nut M10 - ISO 10511		13	13	13
6	638.090.090	Chain connector 3_8 inch 6B Simplex		2	2	2
7	468.051.250	Spanner plate		1	1	1
8	820.080.550	Mushroom head bolt M8x55		1	1	1
9	444.300.350	Spanner roll		1	1	1
10	864.080.024	Large washer M8 - DIN 9021		2	2	2
11	830.080.080	Self Lock Nut M8 - ISO 10511		1	1	1
12	866.100.020	Spring Washer M10 - DIN 127		3	3	3
13	804.100.350	Bolt M10 x 35 - ISO 4017		2	2	2
14	864.080.030	Washer M8 - ISO 7089		1	1	1
15	804.060.450	Bolt M6 x 45 - ISO 4017		1	1	1
16	826.060.060	Nut M6 - DIN 934		2	2	2
17	866.080.020	Spring Washer M8 - DIN 127		1	1	1
18	802.080.700	Bolt M8 x 70 - ISO 4014		1	1	1
19	466.083.950	Guide swingarm		1	1	1
20	444.103.800	Guide bar sideplate		1	1	1
21	442.200.150	Bearing bush gearaxle		1	1	1
22	416.151.350	Stud Ø15 L=134		3	3	3
23	802.101.200	Bolt M10 x 120 - ISO 4014		2	2	2
24	878.060.600	Roll Pin 6 x 60 - ISO 8752		1	1	1
25	802.101.100	Bolt M10 x 110 - ISO 4014		1	1	1
26	864.100.030	Washer M10 - ISO 7089		2	2	2
27	804.100.250	Bolt M10 x 25 - ISO 4017		1	1	1
28	802.120.750	Bolt M12 x 75 - ISO 4014		1	1	1
29	878.060.450	Roll Pin 6 x 45 - ISO 8752		1	1	1
30	864.060.031	Large washer M6 - DIN 9021		1	1	1
31	830.060.060	Self Lock Nut M6 - ISO 10511		1	1	1
32	864.060.030	Washer M6 - ISO 7089		1	1	1
33	816.040.160	Bolt M4 x 16 - DIN 7991		1	1	1
34	804.100.200	Bolt M10 x 20 - ISO 4017		1	1	1
35	511.400.106	Tire 4.00-8/4PR		1	1	1
36	864.240.044	Washer M24 - ISO 7089		2	2	2
37	870.025.120	Circlip d=25 - DIN 471		2	2	2
38	802.080.400	Bolt M8 x 40 - ISO 4014		1	1	1
39	816.060.200	Bolt M6 x 20 - DIN 7991		4	4	4
40	878.060.350	Roll Pin 6 x 35 - ISO 8752		1	1	1
41	826.120.120	Nut M12 - DIN 934		1	1	1
42	802.120.450	Bolt M12 x 45 ISO 4014		1	1	1
43	830.120.120	Self Lock Nut M12 - ISO 10511		1	1	1
44	844.100.100	Wheel nut M10x1.25		4	4	4
45	804.060.300	Bolt M6 x 30 - ISO 4017		1	1	1
46	635.000.572	Sprocket 3/8" (06B) simplex 17Z		1	1	1
47	878.060.450	Roll Pin 6 x 45 - ISO 8752		1	1	1
48	635.000.540	Sprocket 3/8" (06B) simplex 16Z		1	1	1
49	631.000.978	Chain 3/8" Simplex L=978		1	1	1
50	474.251.400	Wheel hub		1	1	1
51	442.200.152	Bearing bush swingarm		2	2	2
52	444.250.600	Chain tensioner		1	1	1
53	713.250.150	Bearing 6205-LLU		2	2	2
54	466.155.000	Frame swingarm		1	1	1
55	444.051.000	Guide plate swingarm		1	1	1
56	406.110.850	Spacer		3	3	3
57	468.051.102	Spring tension bracket		1	1	1
58	575.302.250	Spring wheelaxle		1	1	1
59	406.200.204	Magnet bush		1	1	1
60	593.052.000	Cable-tie 4.8x200		3	3	3
61	547.080.160	Hose Clamp Ø8		1	1	1
62	569.200.100	Magnet	Also included in 569.100.430	1	1	1
63	569.100.430	Magnetic sensor D10 + cable 2 m + magnet		1	1	1
64	468.030.980	Sensor bracket		1	1	1
65	635.000.920	Sprocket 3/8" (06B) simplex 29Z		1	1	1
66	864.050.030	Washer M5 - ISO 7089		2	2	2
67	866.050.020	Spring Washer M5 - DIN 127		2	2	2
68	804.050.100	Bolt M5 x 10 - ISO 4017		2	2	2
69	569.390.780	Counter UC300		1	1	1
70	568.130.050	Protection sleeve L=50		1	1	1
71	631.000.990	Chain 3/8" (06B), L=994		1	1	1
72	444.600.600	Chain Tensioner		1	1	1

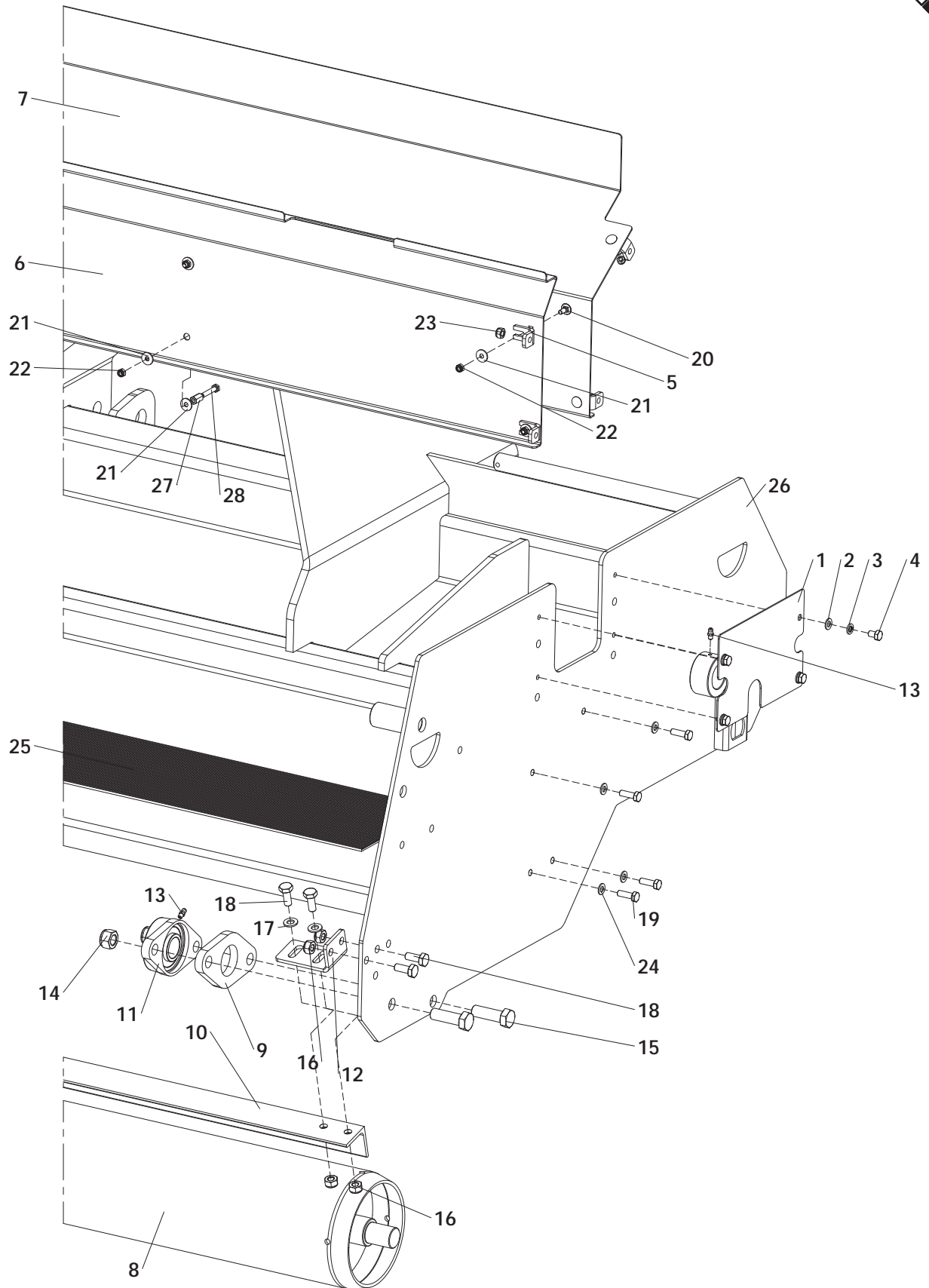


ITEM	PART NUMBER	DESCRIPTION	REMARKS	QUA 1200	QUA 1600	QUA 2100
1	494.167.025	Brush frame	Multiseeder 1600	0	2	0
	494.219.025	Brush frame	Multiseeder 2100	0	0	2
	494.126.025	Brush frame	Multiseeder 1200	2	0	0
2	486.189.160	Brush Multiseeder 1600	Multiseeder 1600	0	2	0
	486.189.210	Brush Multiseeder 2100	Multiseeder 2100	0	0	2
	486.189.120	Brush Multiseeder 1200	Multiseeder 1200	2	0	0
3	864.080.030	Washer M8 - ISO 7089		8	8	8
4	830.080.080	Self Lock Nut M8 - ISO 10511		8	8	8
5	804.080.400	Bolt M8 x 40 - ISO 4017		8	8	8
6	402.110.170	Bush		4	4	4
7	864.200.030	Washer M20 - ISO 7089		4	4	4
8	460.503.006	Weldment spindle		2	2	2
9	402.070.140	Distance Bush		4	4	4
10	474.251.162	Lever Jack		2	2	2
11	802.060.650	Bolt M6 x 65 - ISO 4014		2	2	2
12	402.110.450	Bush Ø18/Ø11 L=45		2	2	2
13	830.060.060	Self Lock Nut M6 - ISO 10511		2	2	2
14	468.031.180	Lock Plate		2	2	2
15	402.101.350	Pivot bush Ø20/Ø11 L=135		2	2	2
16	521.160.510	Lock pin rear roller		2	2	2
17	523.030.750	R-Clip Round 3, DIN 11024		2	2	2
18	402.110.170	Bush		2	2	2
19	864.100.031	Large washer M10 - DIN 9021		8	8	8
20	830.100.100	Self Lock Nut M10 - ISO 10511		10	10	10
21	802.100.750	Bolt M10 x 75 - ISO 4014		2	2	2
22	802.101.500	Bolt M10 x 150 - ISO 4014		2	2	2
23	816.100.400	Bolt M10 x 40 - DIN 7991		2	2	2
24	804.100.400	Bolt M10 x 40 - ISO 4017		4	4	4



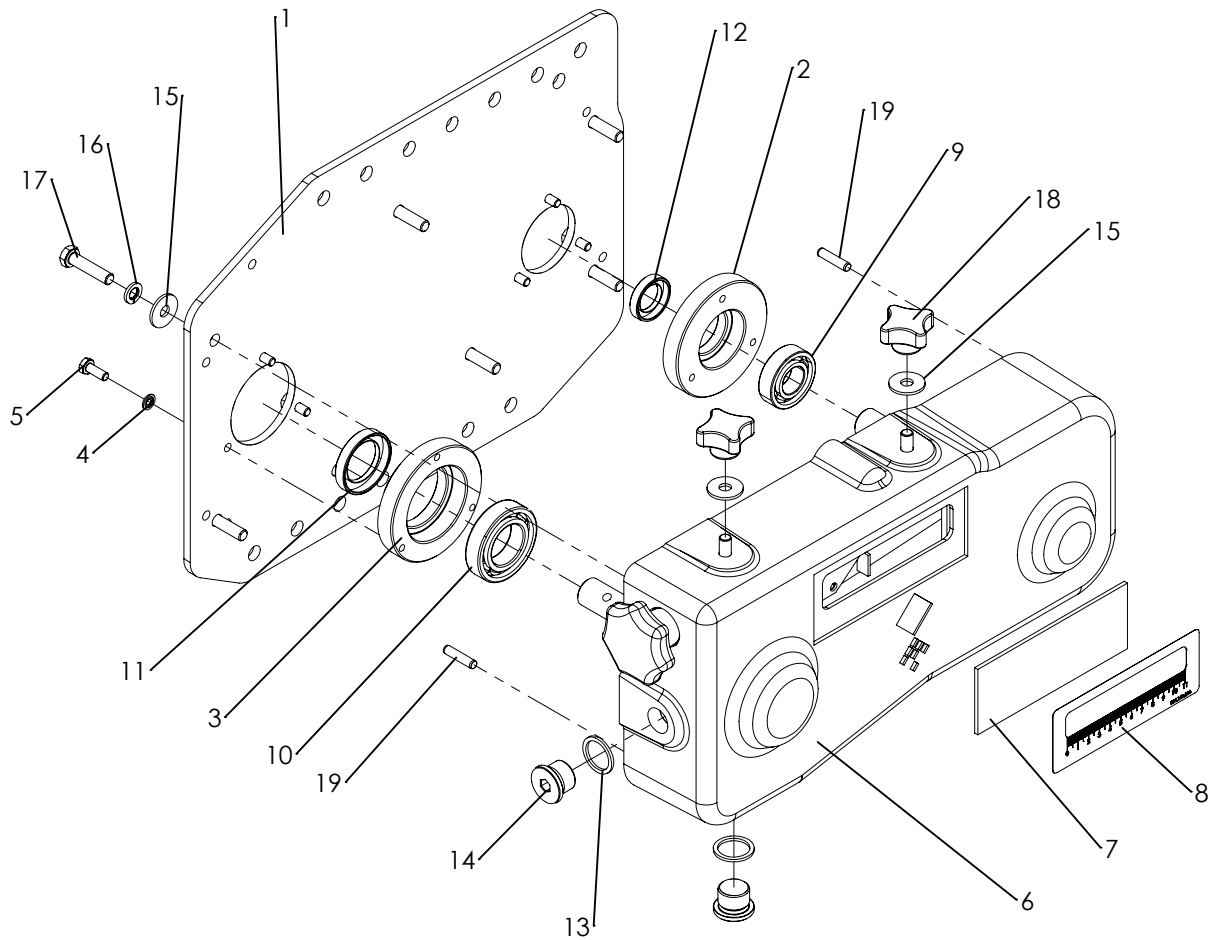
ITEM	PART NUMBER	DESCRIPTION	REMARKS	QUA 1200	QUA 1600	QUA 2100
1	880.060.100	Grease nipple M6 DIN 71412A		6	6	6
2	742.300.400	Bearing UCFL206		4	4	0
	742.400.520	Bearing UCFL208		0	0	4
3	478.059.160	Front roller		0	2	0
	478.059.210	Front roller		0	0	2
	494.272.029	Front roller		2	0	0
4	316.272.029	Spiked Segment		79	105	139
5	804.080.200	Bolt M8 x 20 - ISO 4017		8	8	8
6	830.080.080	Self Lock Nut M8 - ISO 10511		8	8	8
7	402.174.150	Spacer		2	2	2
8	486.061.640	Brush		0	4	0
	486.061.100	Brush		0	0	4
	486.061.250	Brush		2	0	0
9	468.039.166	Brush scraper frame		0	2	0
	468.039.212	Brush scraper frame		0	0	2
	468.039.125	Brush scraper frame		2	0	0
10	830.160.160	Self Lock Nut M16-ISO 10511 Class 10		8	8	8
11	804.160.400	Bolt M16 x 40 - ISO 4017		8	8	8
12	864.100.030	Washer M10 - ISO 7089		8	8	8
13	830.100.100	Self Lock Nut M10 - ISO 10511		8	8	8
14	816.100.350	Bolt M10 x 35 - DIN 7991		8	8	8
15	494.166.061	Floating frame 1600		0	1	0
	494.219.061	Floating frame 2100		0	0	1
	494.127.061	Floating frame 1200		1	0	0
16	444.030.600	Pivot bush		2	2	2
17	418.350.950	Pivot axle		2	2	2
18	402.350.060	Washer		2	2	2
19	474.201.050	Lock pin		2	2	2
20	870.035.160	Circlip d=35 - DIN 471		2	2	2
21	521.191.600	Top link pin OS		1	1	1
22	523.051.000	R-clip Round 5, DIN 11024		5	5	5
23	521.221.600	3-point pin		2	2	2



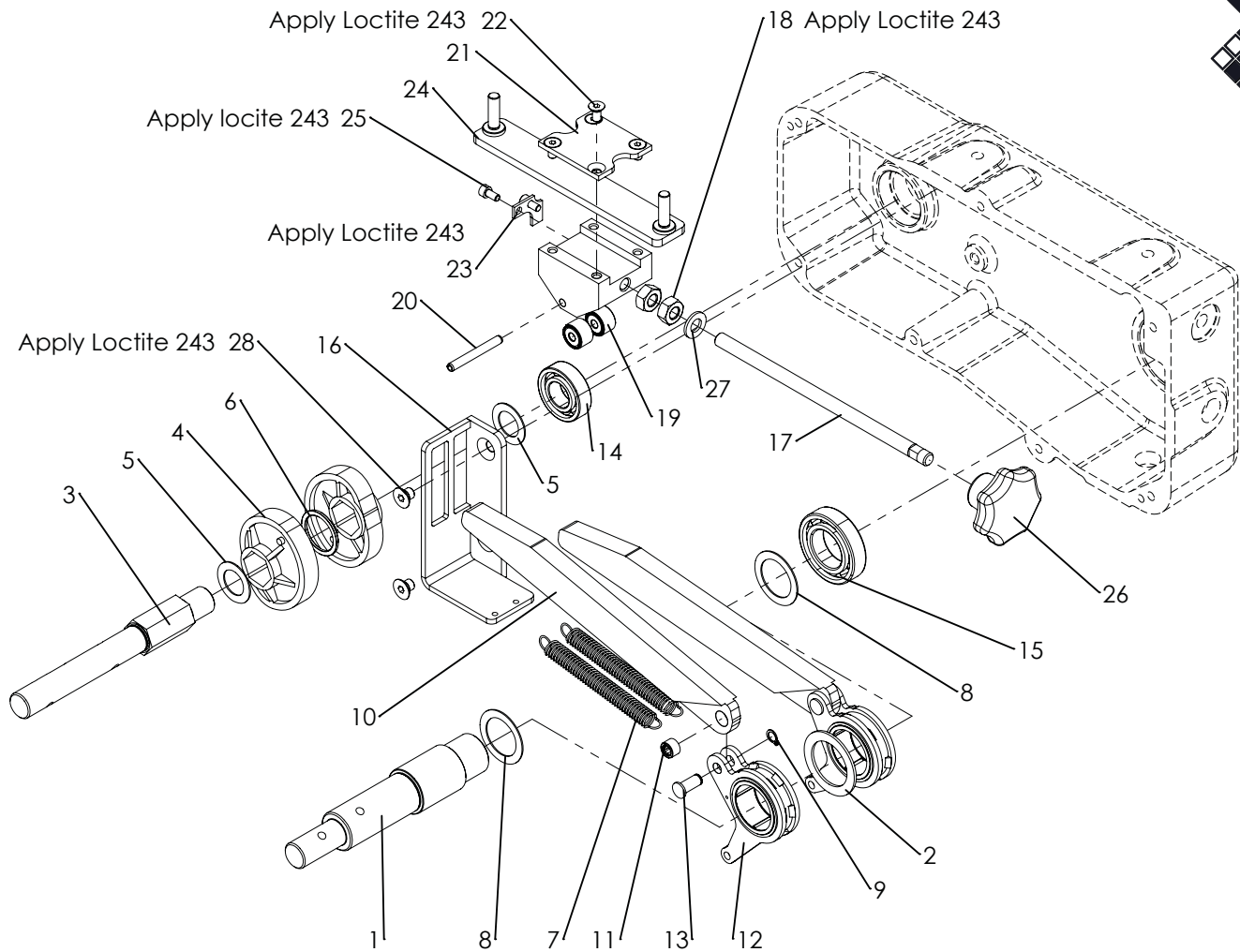




ITEM	PART NUMBER	DESCRIPTION	REMARKS	QUA 1200	QUA 1600	QUA 2100
1	456.023.015	Side cover plate		1	1	1
2	864.080.030	Washer M8 - ISO 7089		4	4	4
3	866.080.020	Spring Washer M8 - DIN 127		4	4	4
4	804.080.120	Bolt M8 x 12 - ISO 4017		4	4	4
5	464.053.500	Cover mounting bracket		8	8	8
6	469.029.170	Seed guide plate rear	Multiseeder 1600	0	1	0
	469.029.224	Seed guide plate rear	Multiseeder 2100	0	0	1
	469.029.127	Seed guide plate rear	Multiseeder 1200	1	0	0
7	469.029.168	Seed guide plate front	Multiseeder 1600	0	1	0
	469.029.223	Seed guide plate front	Multiseeder 2100	0	0	1
	469.029.126	Seed guide plate front	Multiseeder 1200	1	0	0
8	478.059.162	Back roller	Multiseeder 1600	0	1	0
	478.059.200	Back roller SS2100	Multiseeder 2100	0	0	1
	478.059.120	Back roller	Multiseeder 1200	1	0	0
9	468.121.520	Bearing spacer		2	2	2
10	472.059.160	Rear scraper	Multiseeder 1600	0	1	0
	472.059.210	Rear scraper	Multiseeder 2100	0	0	1
	472.059.120	Rear scraper	Multiseeder 1200	1	0	0
11	742.300.400	Bearing UCFL206		2	2	2
12	468.050.906	Scraper bracket		2	2	2
13	880.060.100	Grease nipple M6 DIN 71412A		4	4	4
14	830.160.160	Self Lock Nut M16 - ISO 10511		4	4	4
15	804.160.500	Bolt M16 x 50 - ISO 4017		4	4	4
16	830.100.100	Self Lock Nut M10 - ISO 10511		8	8	8
17	864.100.030	Washer M10 - ISO 7089		4	4	4
18	804.100.250	Bolt M10 x 25 - ISO 4017		8	8	8
19	804.080.250	Bolt M8 x 25 - ISO 4017		8	8	8
20	820.060.160	MH Bolt M6 x 16 ISO 8677		8	8	8
21	864.060.031	Large washer M6 - DIN 9021		24	24	24
22	830.060.060	Self Lock Nut M6 - ISO 10511		16	16	16
23	830.080.080	Self Lock Nut M8 - ISO 10511		8	8	8
24	864.080.030	Washer M8 - ISO 7089		8	8	8
25	446.049.165	Rubber grip plate	Multiseeder 1600	0	1	0
	446.049.215	Rubber grip plate	Multiseeder 2100	0	0	1
	446.049.122	Rubber grip plate	Multiseeder 1200	1	0	0
26	494.174.134	Frame Multiseeder 1600	Multiseeder 1600	0	1	0
	494.227.134	Frame Multiseeder 2100	Multiseeder 2100	0	0	1
	494.136.114	Frame Multiseeder 1200	Multiseeder 1200	1	0	0
27	826.060.180	High Nut M6 - DIN 6334		4	4	4
28	802.060.350	Bolt M6 x 35 - ISO 4017		4	4	4

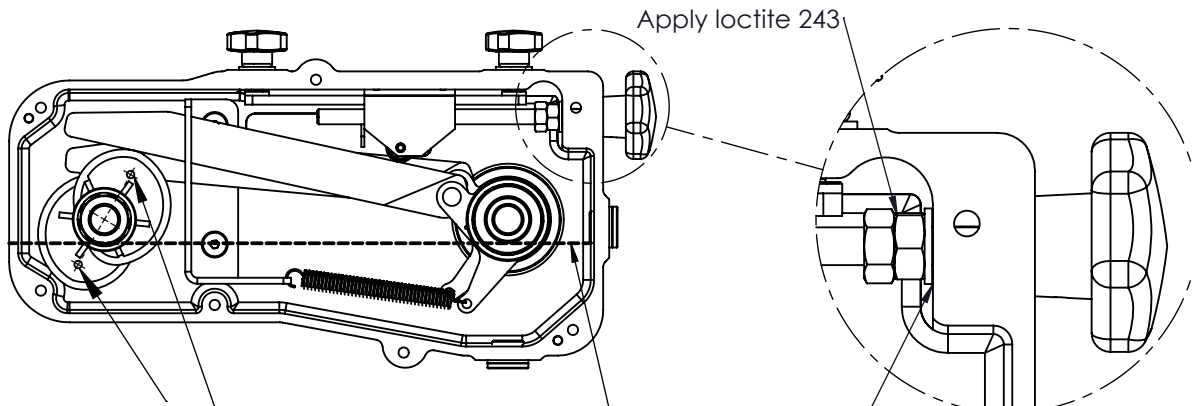


ITEM	PART NUMBER	DESCRIPTION	REMARKS	QUA
1	468.064.060	Lid plate		1
2	434.210.850	Bearing hub Ø42		1
3	434.230.850	Bearing hub Ø55		1
4	874.060.020	Bonded seal ring M6		6
5	804.060.160	Bolt M6 x 16 - ISO 4017		6
6	448.380.800	Casted gearbox housing		1
7	444.021.380	Window		1
8	934.140.510	Gauge decall		1
9	711.200.120	Bearing 6004		2
10	711.300.132	Bearing 6006		2
11	762.300.080	Oil seal 30-45-8		1
12	762.200.070	Oil seal 20-32-7		1
13	874.210.020	Copper washer 1_2		2
14	549.210.200	Blind plug G1/2		2
15	864.080.024	Large washer M8 - DIN 9021		9
16	866.080.020	Spring Washer M8 - DIN 127		7
17	804.080.350	Bolt M8 x 35 - ISO 4017		7
18	836.080.402	Closed Knob M8 - Din 6335		2
19	876.060.260	Parallel pin ISO 8734 - 6 x 26		2
	623.200.400	Gearbox complete		



ITEM	PART NUMBER	DESCRIPTION	REMARKS	QUA
1	422.351.382	Shaft		1
2	444.020.500	Washer		1
3	422.242.020	Shaft		1
4	444.200.730	Excenter		2
5	868.032.100	Shim Ø20xØ32x1.0 DIN988	Quantity depending on clearance	
6	406.280.030	Spacer		1
7	575.010.800	Spring		2
8	868.042.100	Shim Ø30xØ42x1.0 DIN988	Quantity depending on clearance	
9	870.008.080	Circlip d=8 - DIN 471		2
10	464.152.702	Rocker strip		2
11	721.080.080	Bearing HK0808		2
12	442.200.980	Rocker arm assembly		2
13	418.080.200	Pin		2
14	711.200.120	Bearing 6004		1
15	711.300.132	Bearing 6006		1
16	470.120.550	Guide		1
17	852.102.100	Threaded rod M10x210		1
18	826.100.100	Nut M10 - DIN 934		2
19	721.060.120	Roller bearing		2
20	878.060.500	Roll Pin 6 x 50 - ISO 8752		1
21	468.040.530	Lock plate		1
22	816.060.122	Bolt M6 x 12 - DIN 7991		4
23	468.020.490	Indicator		1
24	468.061.620	Slider bracket		1
25	814.050.100	DIN 912 M5 x 10 --- 10C		2
26	836.100.630	Knob M10 with set screw		1
27	864.100.030	Washer M10 - ISO 7089		1
28	816.080.100	Bolt M8 x 10 - DIN 7991		2

**Timing, Spindle adjustment and Oil level**



Apply loctite 243

Keep  $\pm 2\text{mm}$  (0.08") clearance distance between washer and casing! Adjustment must rotate smooth.

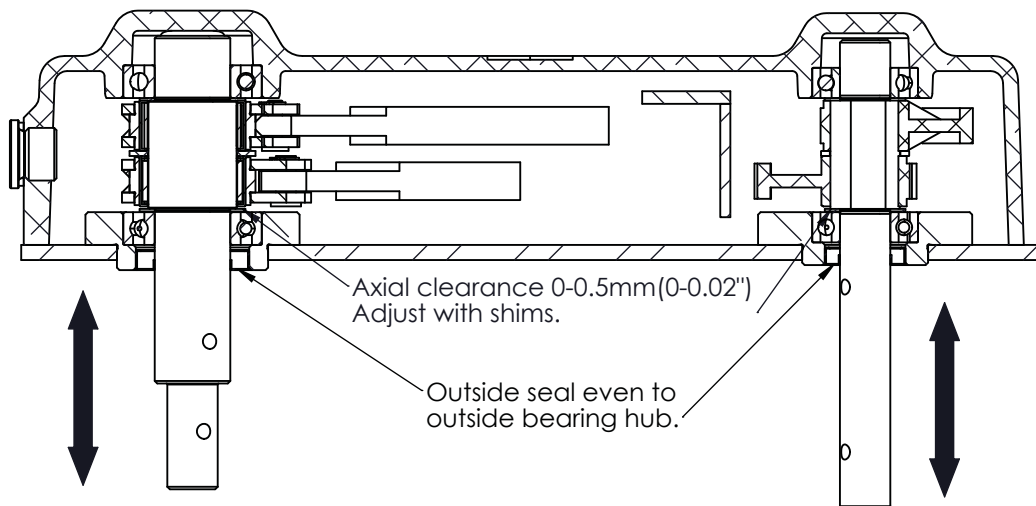
Warning! Make sure the excenters are positioned correct:

- The nodge has to be faced outwards.
- Timing: 180° shifted from each other

If not correctly installed a shocked rotation will occur at the output shaft.

Fill gearbox with  $\pm 1,4\text{L}$  (0.37gal.) 80W90 oil  
Fill till oil level line (Bottom level plug)

**Axial clearance**

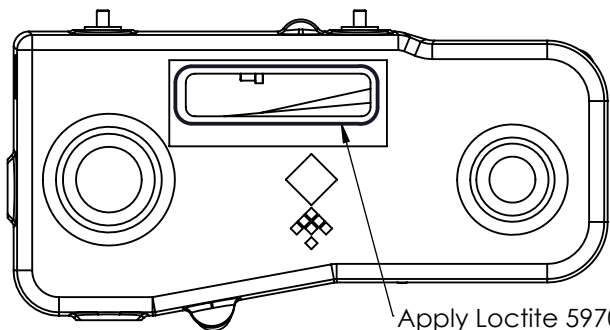


Axial clearance 0-0.5mm (0-0.02")  
Adjust with shims.

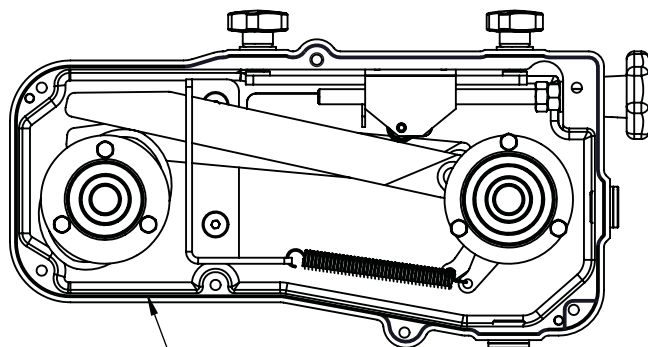
Outside seal even to outside bearing hub.

**Sealing plan**

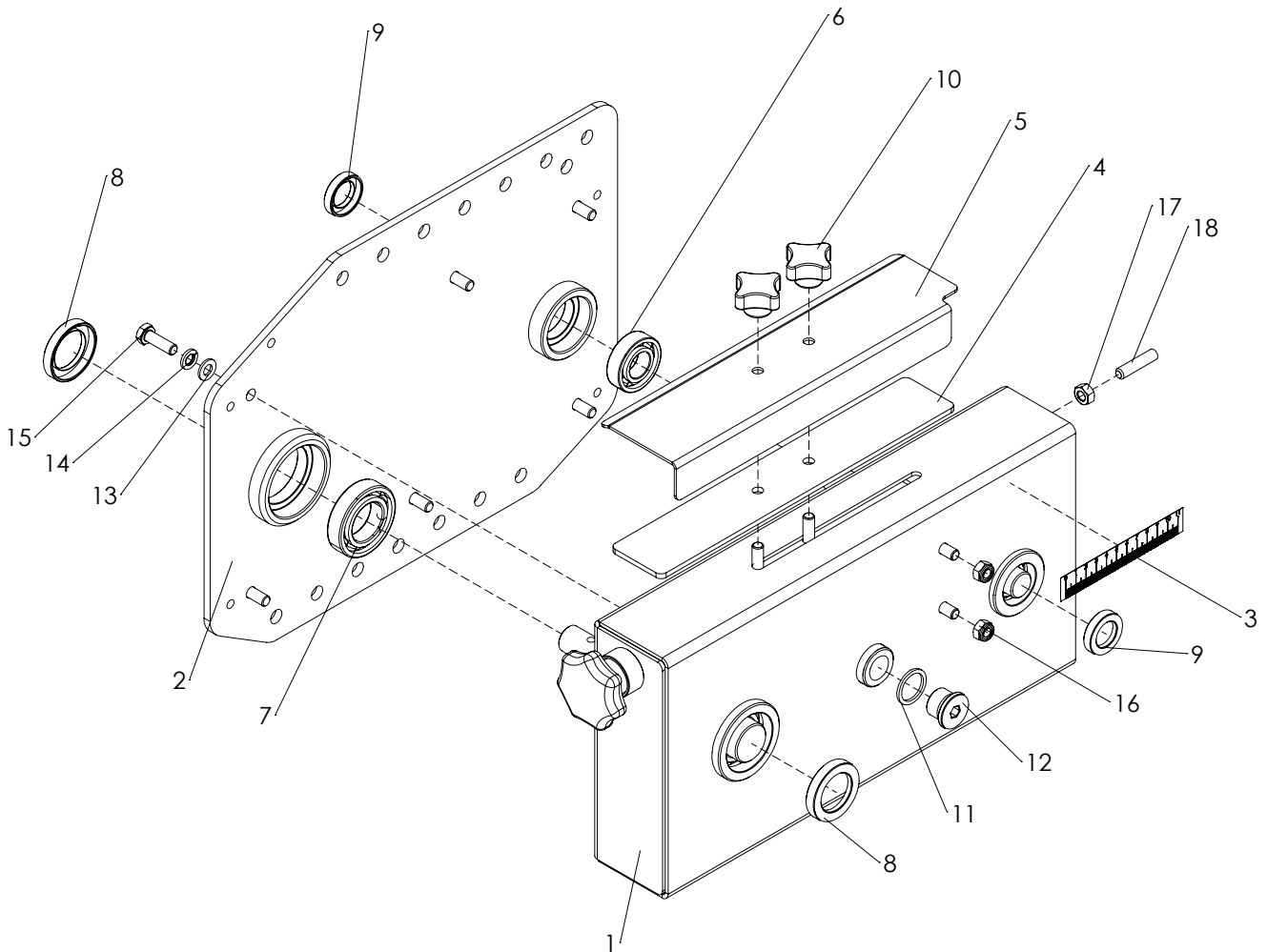
1. Put sealing paste (Loctite 5970) on the gearbox housing according to the closed line as shown on the pictures below.
2. Make sure to put sealing paste around the threaded holes.
3. Make sure to clean the edges from excess sealant.



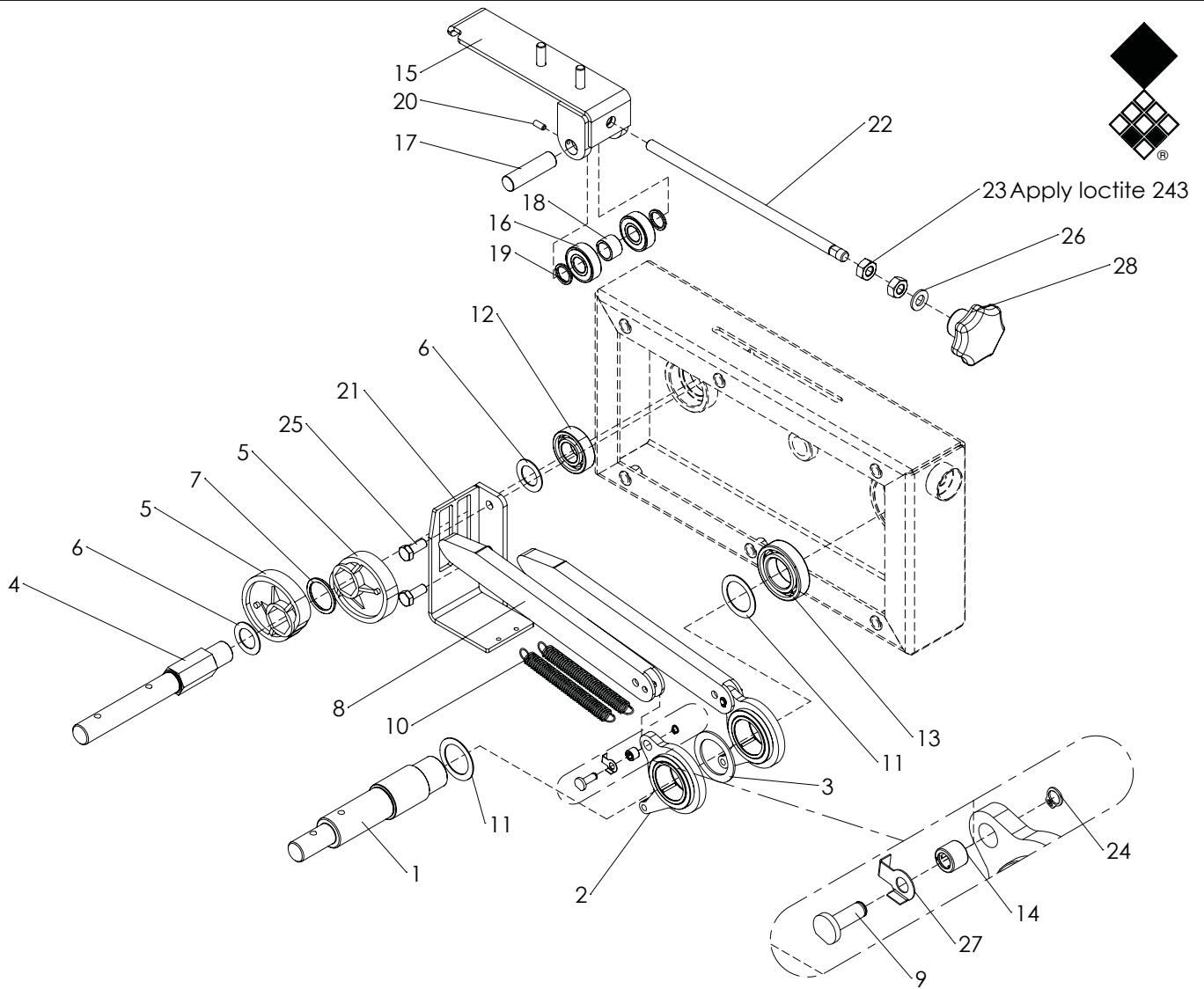
Apply Loctite 5970 (acid free sealing paste)



Apply Loctite 5970 (acid free sealing paste)



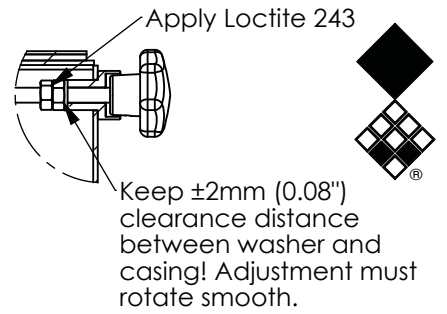
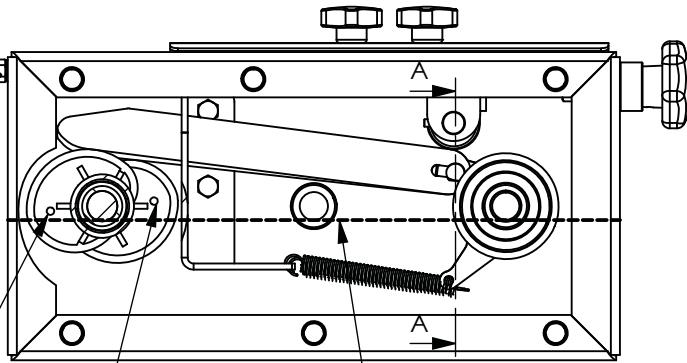
ITEM	PART NUMBER	DESCRIPTION	REMARKS	QUA
1	470.034.052	Gearbox housing		1
2	470.064.004	Gearbox lid		1
3	922.340.014	Gauge decall		1
4	444.032.900	Slider seal		1
5	468.022.900	Indicator		1
6	711.200.120	Bearing 6004		1
7	711.300.132	Bearing 6006		1
8	762.300.080	Oil seal 30-45-8		2
9	762.200.070	Oil seal 20-32-7		2
10	836.080.402	Closed Knob M8 - Din 6335		2
11	874.210.020	Copper washer 1_2		1
12	549.210.200	Blind plug G1/2		1
13	864.080.030	Washer M8 - ISO 7089		6
14	866.080.020	Spring Washer M8 - DIN 127		6
15	804.080.250	Bolt M8 x 25 - ISO 4017		6
16	830.080.080	Self Lock Nut M8 - ISO 10511		2
17	826.080.080	Nut M8 - DIN 934		1
18	818.080.350	Set screw M8x35 - DIN 913		1
	623.246.405	Gearbox complete		



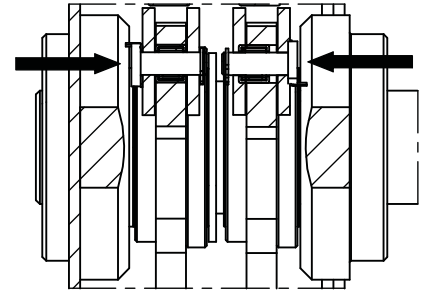
ITEM	PART NUMBER	DESCRIPTION	REMARKS	QUA
1	422.351.382	Shaft		1
2	478.019.101	Pivot point		1
3	444.020.500	Washer		1
4	422.242.020	Shaft		1
5	444.200.730	Excenter		2
6	868.032.100	Shim Ø20xØ32x1.0 DIN988	Quantity depending on clearance	
7	406.280.030	Spacer		1
8	464.152.600	Swing arm		2
9	418.060.190	Pin		2
10	575.010.800	Spring		2
11	868.042.100	Shim Ø30xØ42x1.0 DIN988	Quantity depending on clearance	
12	711.200.120	Bearing 6004		1
13	711.300.132	Bearing 6006		1
14	721.060.080	Bearing HK0608		2
15	470.041.980	Slider bracket		1
16	713.150.110	Bearing 6202-LLU		2
17	414.150.550	Shaft		1
18	406.150.132	Bush		1
19	406.150.020	Bush		2
20	818.050.120	Set screw M5 x 12 - DIN 913		2
21	470.041.190	Guide		1
22	852.102.500	Threaded rod M10x250		1
23	826.100.100	Nut M10 - DIN 934		2
24	870.006.070	Circlip d=6 - DIN 471		2
25	804.080.200	Bolt M8 x 20 - ISO 4017		2
26	864.100.030	Washer M10 - ISO 7089		1
27	874.060.240	Lock washer		2
28	836.100.630	Knob M10 with set screw		1

**Timing, Spindle adjustment and Grease level**

Adjust till max. output is 4:1



**SECTION A-A**  
Place pins from correct side and fold lock plate.

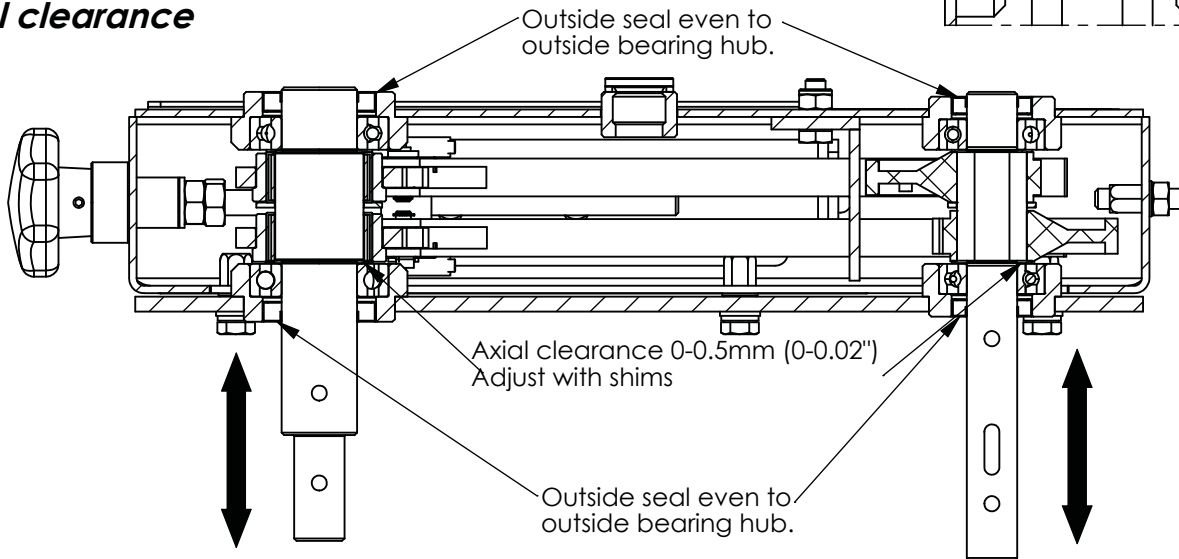


Warning! Make sure the excenters are positioned correct: Fill gearbox with  $\pm 2.8\text{kg}$  (6.17lbs.) EP0 grease Fill till level line (Bottom level plug)

- The nodge has to be faced outwards.
- Timing:  $180^\circ$  shifted from each other.

If not correctly installed a shocked rotation will occur at the output shaft.

**Axial clearance**



**Sealing plan**

1. Place sealing paste (Loctite 5970) on gearbox housing as shown in the pictures below. When the guide (1) is removed also apply sealant to the bolts.
2. Place gearbox lid on gearbox housing.
3. Fill bolt holes with silicone sealing before mounting the bolts of the gearbox lid.
4. Make sure to clean the edges of excess sealant.

