

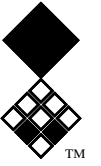
CULTIPACK SEEDER



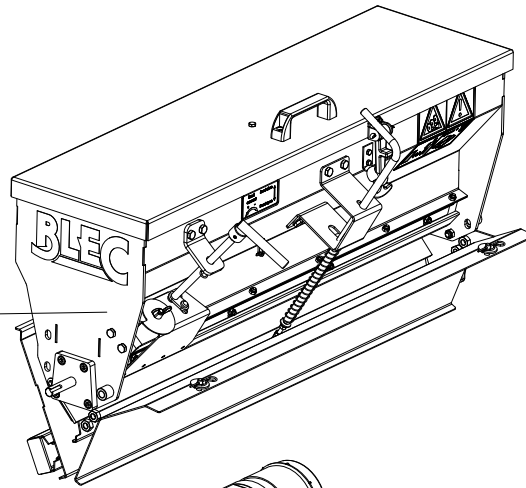
Version: 2351



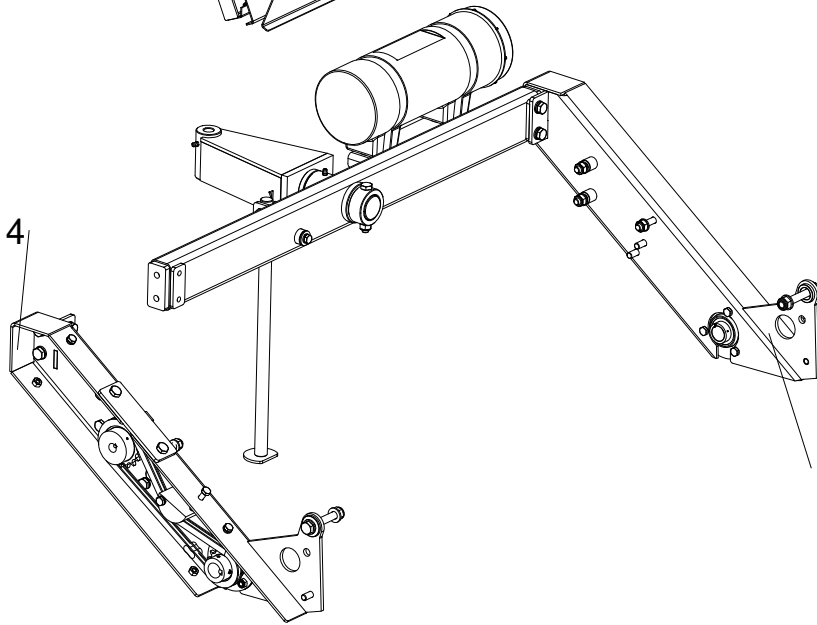
Kwekerijweg 8 | 3709JA | Zeist | The Netherlands |
T: +31 (0)306 933 227
E: redexim@redexim.com
W: www.redexim.com



Page 2 and 3

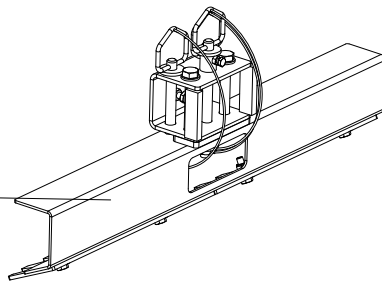


Page 4

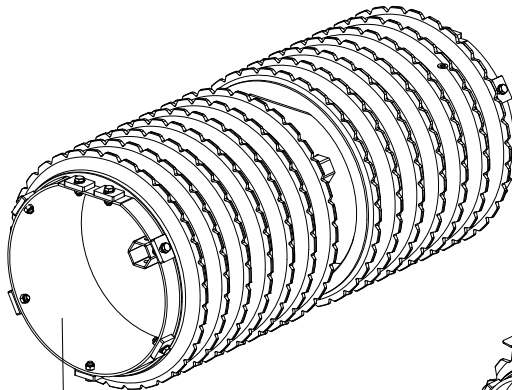


Page 5

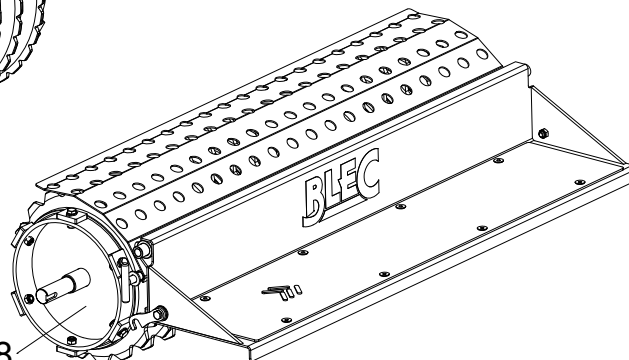
Page 6

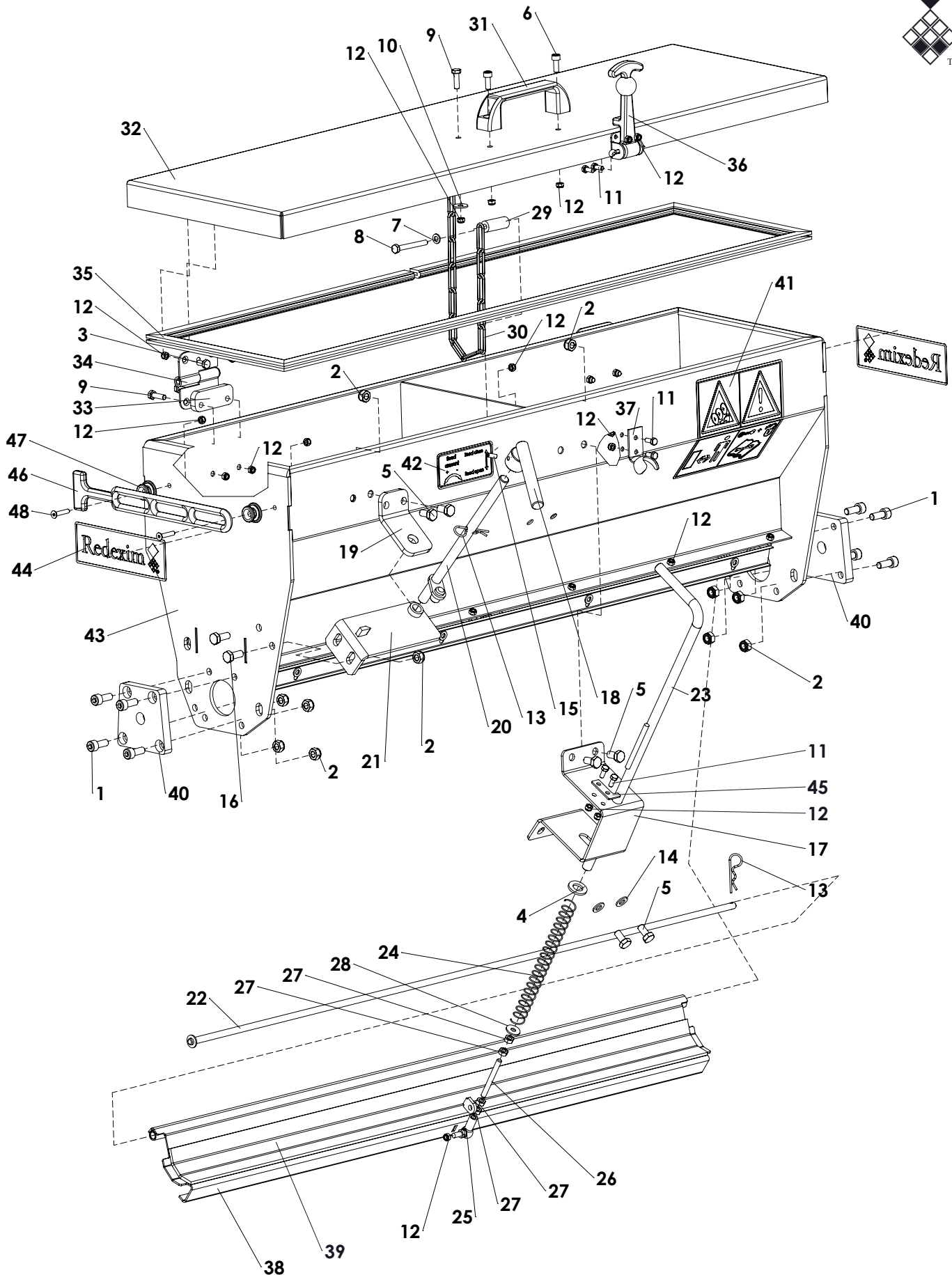


Page 7

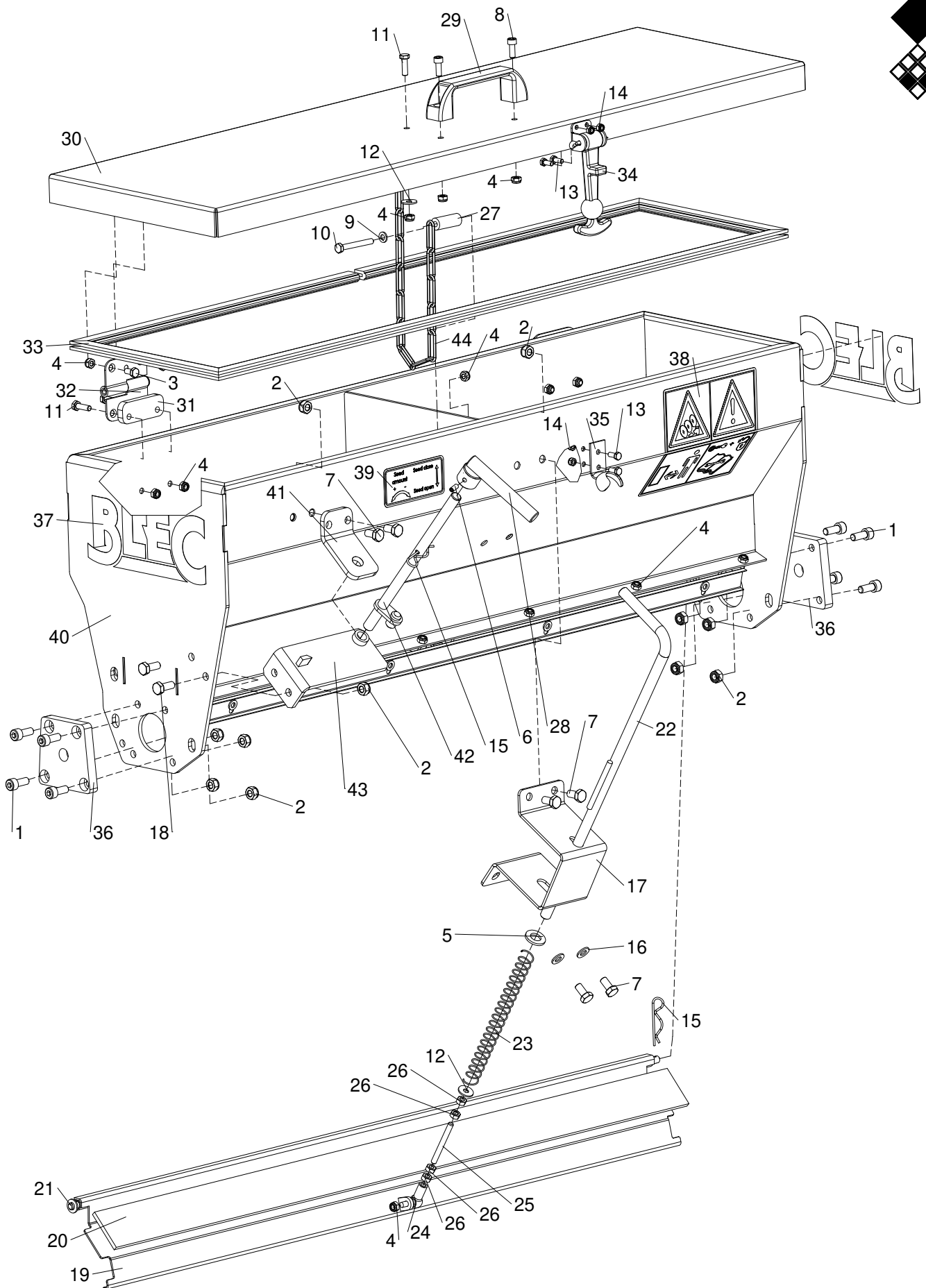
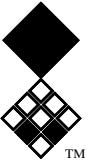


Page 8

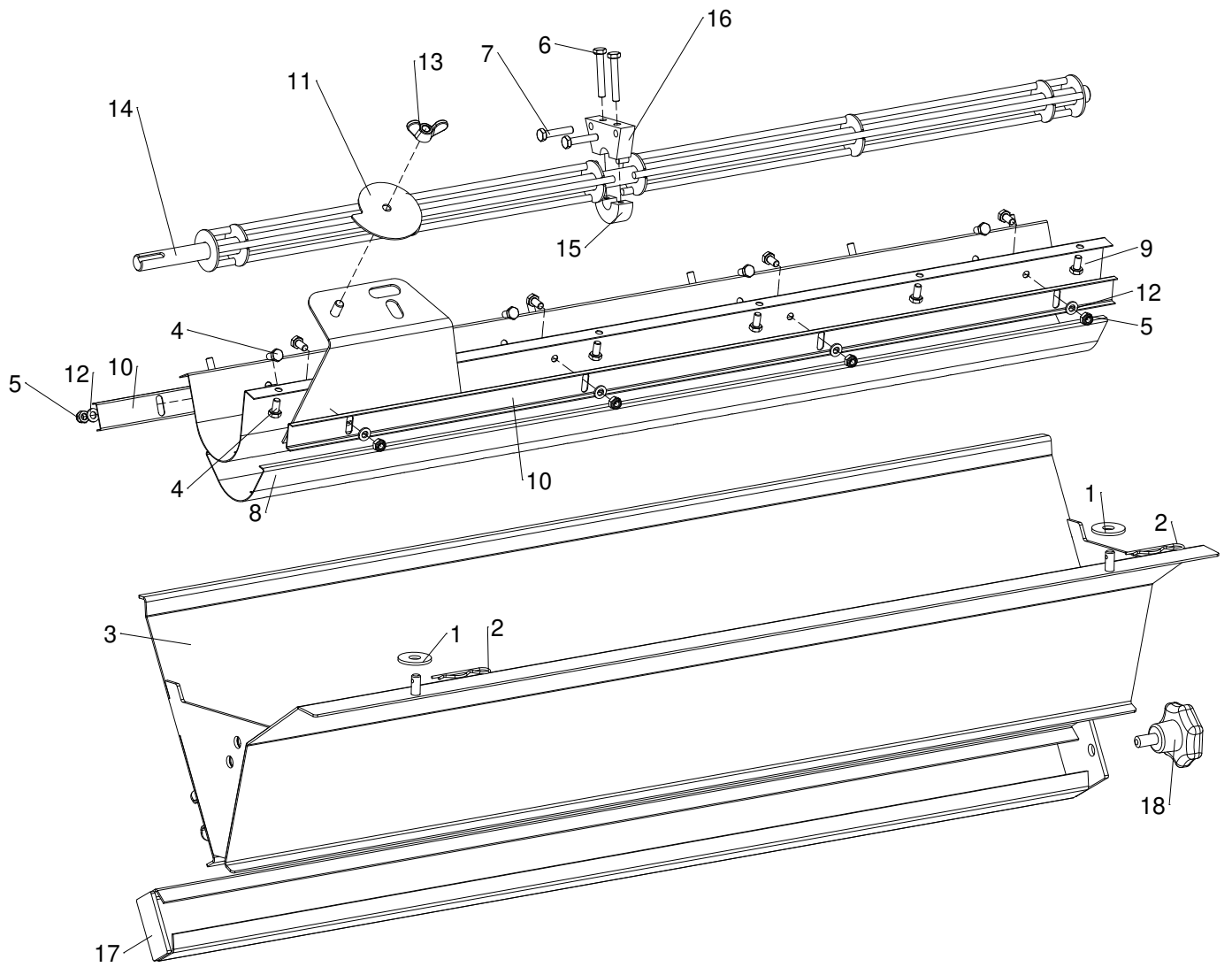




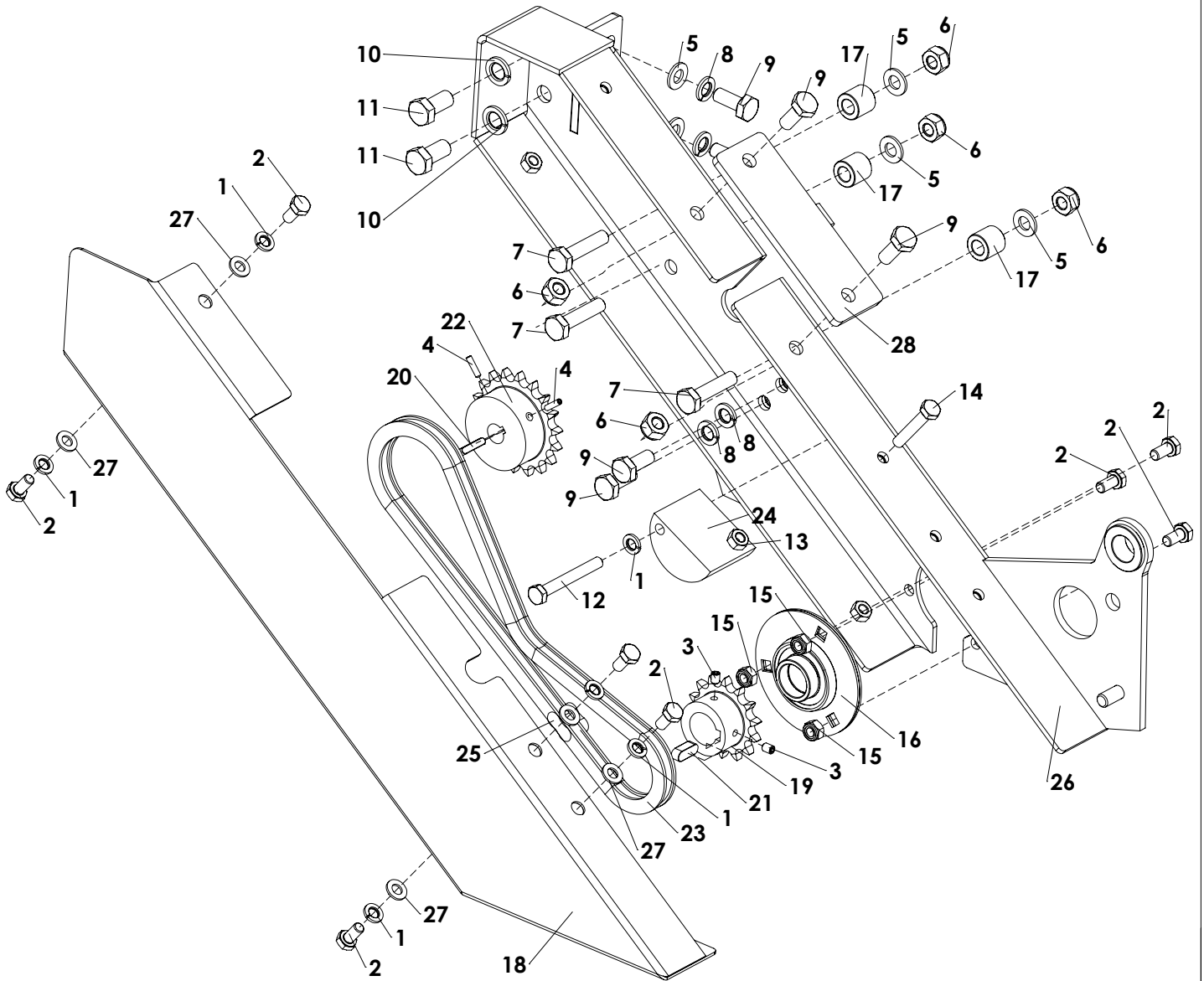
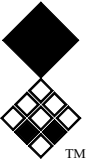
ITEM	PART NUMBER	DESCRIPTION	REMARKS	QUA
1	814.080.200	Bolt M8 x 20 - DIN 912		8
2	830.080.080	Self Lock Nut M8 - ISO 10511		16
3	804.060.120	Bolt M6 x 12 - ISO 4017		4
4	864.120.030	Washer M12 - ISO 7089		1
5	804.080.160	Bolt M8 x 16 - ISO 4017		6
6	814.060.150	Bolt M6 x 16 - DIN 912		2
7	864.060.030	Washer M6 - ISO 7089		1
8	802.060.500	Bolt M6 x 50 - ISO 4014		1
9	804.060.200	Bolt M6 x 20 - ISO 4017		5
10	864.060.031	Large washer M6 - DIN 9021		2
11	804.050.120	Bolt M5 x 12 - ISO 4017		6
12	830.050.050	Self Lock Nut M5 - ISO 10511		8
13	523.020.570	R-Clip D=2		2
14	864.080.030	Washer M8 - ISO 7089		2
15	818.050.120	Set screw M5 x 12 - DIN 913		1
16	804.080.200	Bolt M8 x 20 - ISO 4017		2
17	468.031.380	Lever bracket		1
18	474.151.000	Handle		1
19	468.060.906	Support		1
20	472.122.350	Seed control lever		1
21	470.051.350	Weldment seed lever support		1
22	474.089.350	Pin		1
23	474.124.260	Handle		1
24	576.022.050	Spring		1
25	850.060.320	Ball Joint M6 R		1
26	426.060.600	Rod M6		1
27	826.060.060	Nut M6 - DIN 934		4
28	864.060.031	Large washer M6 - DIN 9021		1
29	402.060.350	Distance bush lid		1
30	899.033.000	Chain		1
31	444.151.250	Handle		1
32	456.094.027	Top cover		1
33	464.080.652	Shim		2
34	899.100.630	Hinge		2
35	446.109.190	Rubber U-seal 1-4mm L=2190		1
36	590.650.000	Rubber lock assy		1
37	590.650.000	Bracket for latch		1
38	470.029.102	Shut off plate		1
39	599.068.660	Foam rubber (self adhesive) 4x60		1
40	444.120.840	Bearing block		2
41	921.280.402	Safety decall VS		1
42	912.340.004	Decall Seed		1
43	494.092.026	Hopper Cultipack-Seeder		1
44	900.260.401	Logo Label		2
45	468.020.350	Plate		1
46	590.009.278	Rubber strap		1
47	590.130.030	Nylon button		2
48	816.050.250	Bolt M5x25 - DIN 7991		2



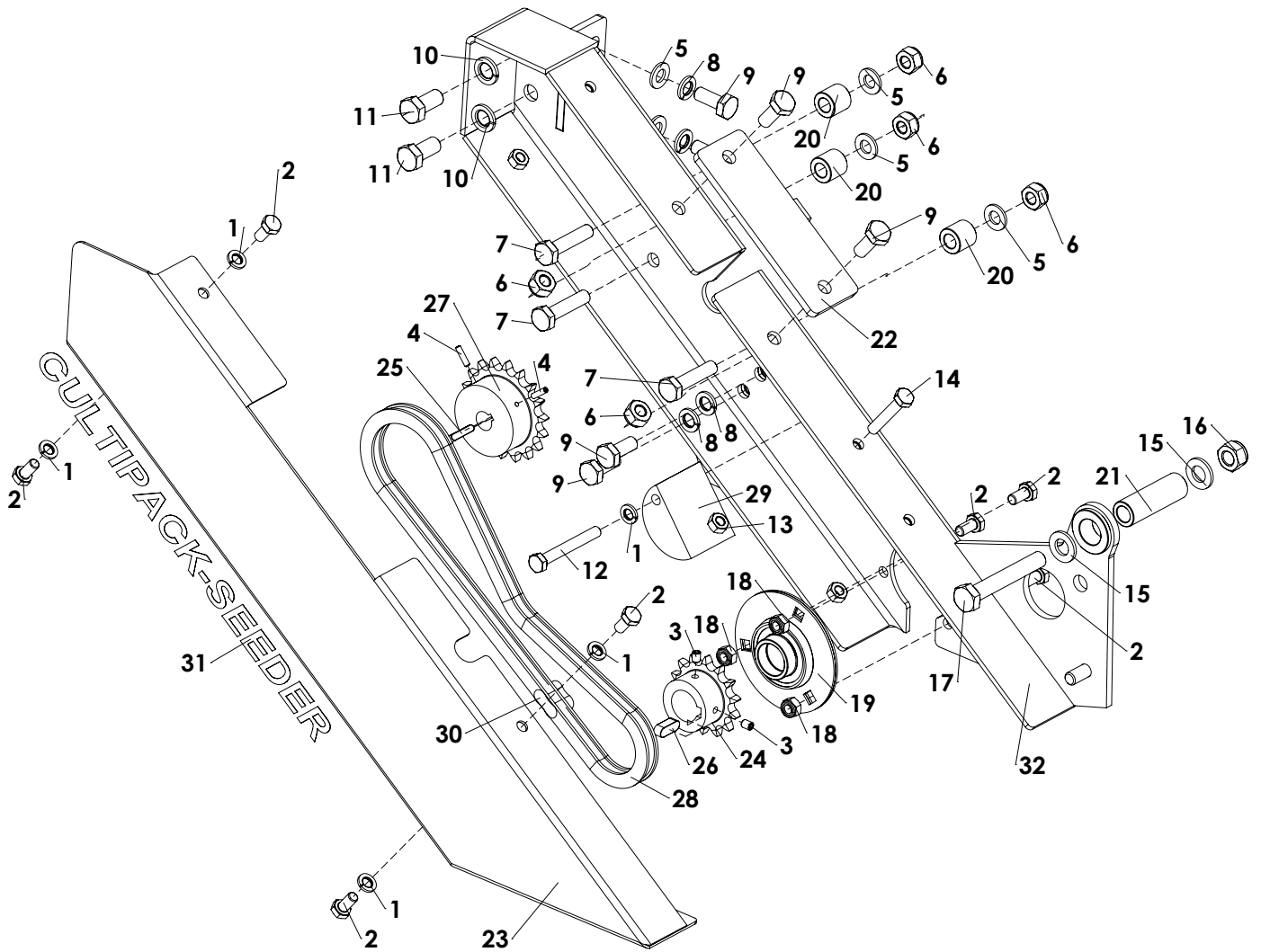
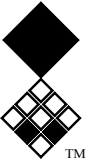
ITEM	PARTNUMBER	DESCRIPTION	REMARKS	QUA
1	814.080.200	Bolt M8 x 20 - DIN 912		8
2	830.080.080	Self Lock Nut M8 - ISO 10511		16
3	804.060.120	Bolt M6 x 12 - ISO 4017		4
4	830.060.060	Self Lock Nut M6 - ISO 10511		23
5	864.120.030	Washer M12 - ISO 7089		1
6	818.050.120	Set screw M5 x 12 - DIN 913		1
7	804.080.160	Bolt M8 x 16 - ISO 4017		6
8	814.060.150	Bolt M6 x 16 - DIN 912		2
9	864.060.030	Washer M6 - ISO 7089		1
10	802.060.500	Bolt M6 x 50 - ISO 4014		1
11	804.060.200	Bolt M6 x 20 - ISO 4017		5
12	864.060.031	Large washer M6 - DIN 9021		2
13	804.050.120	Bolt M5 x 12 - ISO 4017		4
14	830.050.050	Self Lock Nut M5 - ISO 10511		4
15	523.020.570	R-Clip D=2		2
16	864.080.030	Washer M8 - ISO 7089		2
17	468.031.380	Lever bracket		1
18	804.080.200	Bolt M8 x 20 - ISO 4017		2
19	470.029.102	Shut off plate		1
20	599.059.100	Foam rubber L=910		1
21	474.089.350	Pin		1
22	474.124.260	Handle		1
23	576.022.050	Spring		1
24	850.060.320	Ball Joint M6 R		1
25	426.060.600	Rod M6		1
26	826.060.060	Nut M6 - DIN 934		4
27	402.060.350	Distance bush lid		1
28	474.151.000	Handle		1
29	444.151.250	Handle		1
30	456.094.027	Top cover		1
31	464.080.652	Shim		2
32	899.100.630	Hinge		2
33	446.109.190	Rubber U-seal 1-4mm L=2190		1
34	590.650.000	Rubber lock assy		1
35	590.650.000	Bracket for latch		1
36	444.120.840	Bearing block		2
37	900.260.500	Decall Blec		2
38	921.280.402	Safety decall VS		1
39	912.340.004	Decall Seed		1
40	494.092.026	Hopper Cultipack-Seeder		1
41	468.060.906	Support		1
42	472.122.350	Seed control lever		1
43	470.051.350	Weldment seed lever support		1
44	899.033.000	Chain		1



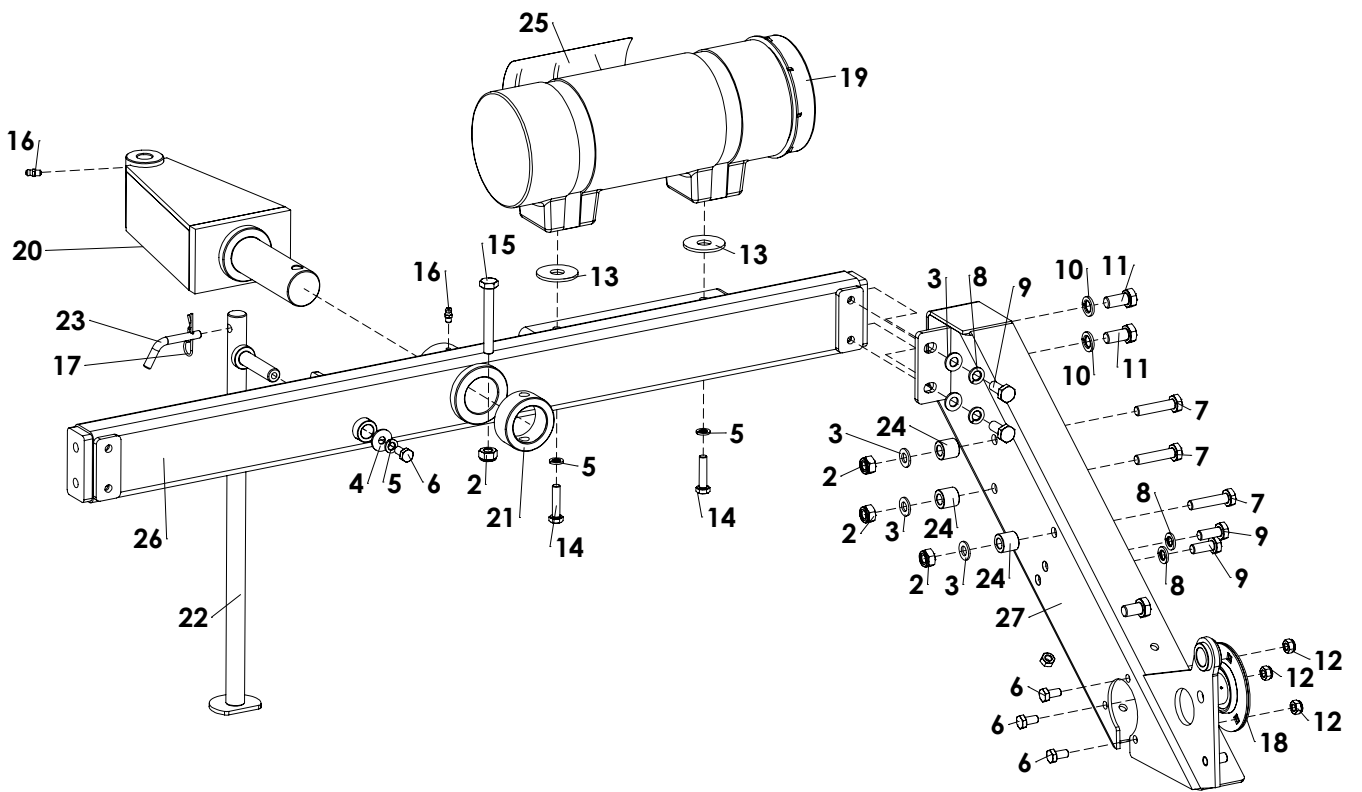
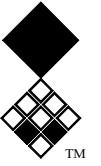
ITEM	PARTNUMBER	DESCRIPTION	REMARKS	QUA
1	864.100.031	Large washer M10 - DIN 9021		2
2	523.020.570	R-Clip D=2		2
3	470.029.600	Chute		1
4	804.060.120	Bolt M6 x 12 - ISO 4017		20
5	830.060.060	Self Lock Nut M6 - ISO 10511		8
6	804.060.400	Bolt M6 x 40 - ISO 4017		2
7	804.060.300	Bolt M6 x 30 - ISO 4017		2
8	470.018.750	Bottom slide		1
9	468.019.110	Seed plate		1
10	468.028.820	Front support plate		2
11	468.020.510	Adjuster cam		1
12	864.060.030	Washer M6 - ISO 7089		8
13	844.080.080	Wing nut DIN 315 - M8		1
14	474.159.100	Rotor		1
15	444.150.420	Bearing plate		1
16	444.150.600	Support		1
17	470.029.780	Seed tray		1
18	836.100.520	Knurled knob M10x20		1



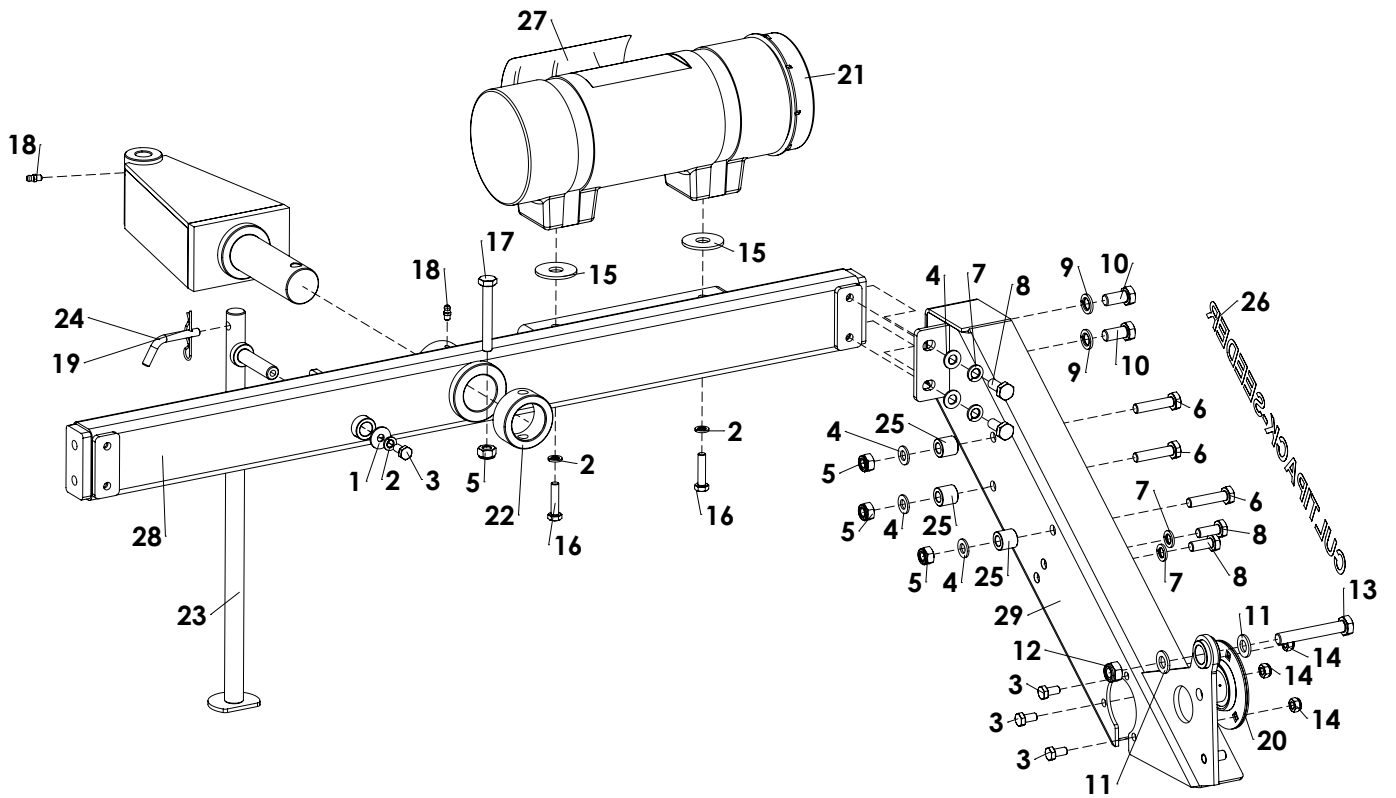
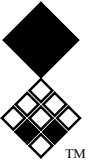
ITEM	PART NUMBER	DESCRIPTION	REMARKS	QUA
1	866.080.020	Spring Washer M8 - DIN 127		5
2	804.080.160	Bolt M8 x 16 - ISO 4017		7
3	818.060.080	Set screw M6x8		2
4	818.040.160	Set screw M4 x 16 - DIN 913		2
5	864.100.030	Washer M10 - ISO 7089		5
6	830.100.100	Self Lock Nut M10 - ISO 10511		5
7	804.100.450	Bolt M10 x 45 - ISO 4017		3
8	866.100.020	Spring Washer M10 - DIN 127		4
9	804.100.250	Bolt M10 x 25 - ISO 4017		6
10	866.120.020	Spring Washer M12 - DIN 127		2
11	804.120.250	Bolt M12 x 25 - ISO 4017		2
12	802.080.650	Bolt M8 x 65 - ISO 4014		1
13	826.080.080	Nut M8 - DIN 934		1
14	804.080.450	Bolt M8 x 45 - ISO 4017		1
15	830.080.080	Self Lock Nut M8 - ISO 10511		3
16	744.250.282	Bearing RAY25		1
17	406.110.190	Spacer		3
18	456.069.012	Side cover		1
19	635.010.640	Sprocket 1/2" (08B) Simplex z=14		1
20	884.050.250	Key 5x5x25 - DIN 6885		1
21	884.080.220	Key 8x7x22 - DIN 6885		1
22	635.010.800	Sprocket 1/2" (08B) Simplex z=18		1
23	631.010.735	Chain 1/2" L=735mm		1
24	444.500.600	Chain Tensioner		1
25	638.130.130	Chain connector 1_2 inch 8B Simplex		1
26	470.046.902	Side beam left		1
27	864.080.030	Washer M8 - ISO 7089		5
28	468.061.506	Link plate		1



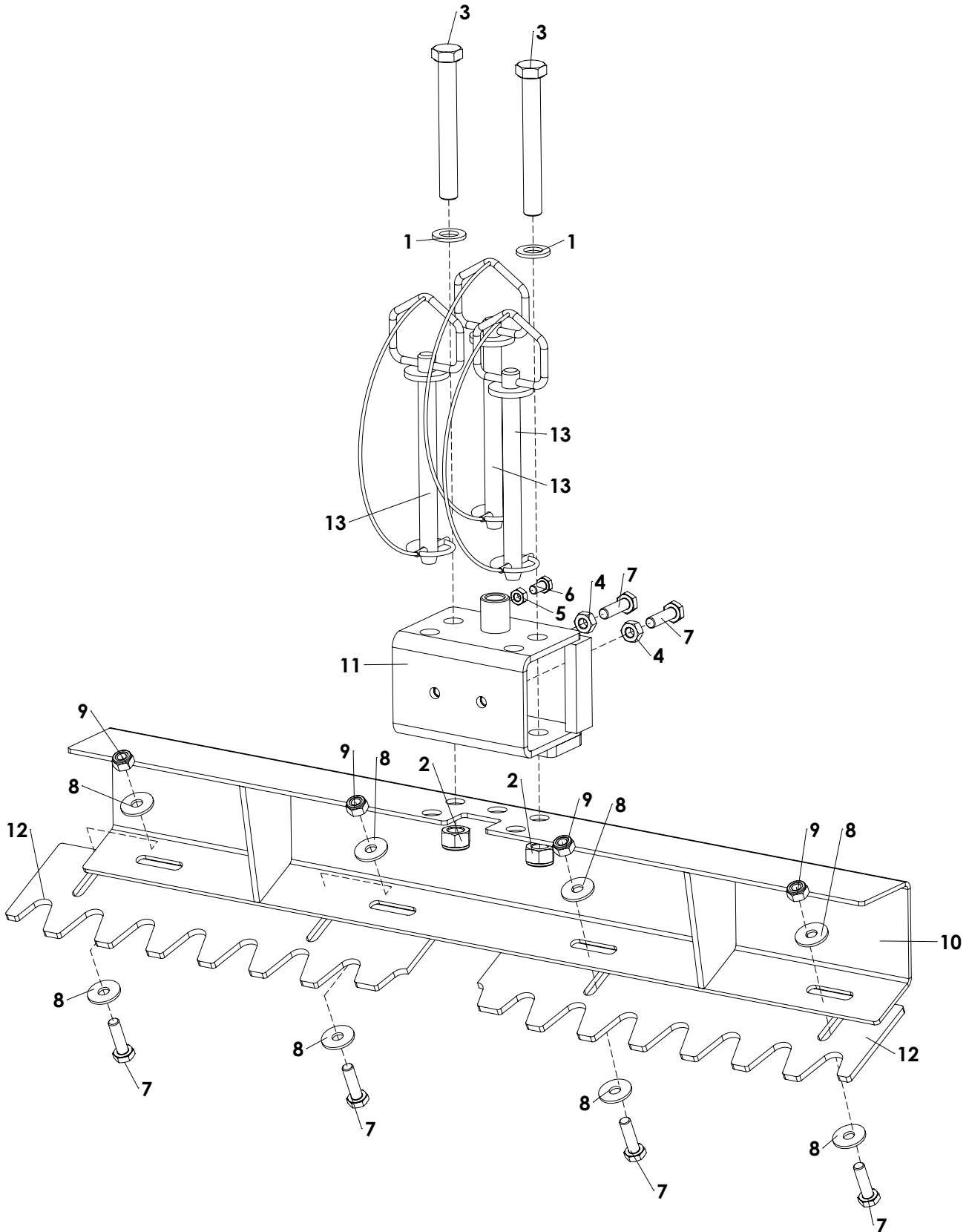
ITEM	PART NUMBER	DESCRIPTION	REMARKS	QUA
1	866.080.020	Spring Washer M8 - DIN 127		5
2	804.080.160	Bolt M8 x 16 - ISO 4017		7
3	818.060.080	Set screw M6x8		2
4	818.040.160	Set screw M4 x 16 - DIN 913		2
5	864.100.030	Washer M10 - ISO 7089		5
6	830.100.100	Self Lock Nut M10 - ISO 10511		5
7	804.100.450	Bolt M10 x 45 - ISO 4017		3
8	866.100.020	Spring Washer M10 - DIN 127		4
9	804.100.250	Bolt M10 x 25 - ISO 4017		6
10	866.120.020	Spring Washer M12 - DIN 127		2
11	804.120.250	Bolt M12 x 25 - ISO 4017		2
12	802.080.650	Bolt M8 x 65 - ISO 4014		1
13	826.080.080	Nut M8 - DIN 934		1
14	804.080.450	Bolt M8 x 45 - ISO 4017		1
15	864.120.030	Washer M12 - ISO 7089		2
16	830.120.120	Self Lock Nut M12 - ISO 10511		1
17	802.120.800	Bolt M12 x 80 - ISO 4014		1
18	830.080.080	Self Lock Nut M8 - ISO 10511		3
19	744.250.282	Bearing RAY25		1
20	406.110.190	Spacer		3
21	406.120.620	Distance bush Ø20/Ø12.5 L=62		1
22	468.061.506	Link plate		1
23	456.069.012	Side cover		1
24	635.010.640	Sprocket 1/2" (08B) Simplex z=14		1
25	884.050.250	Key 5x5x25 - DIN 6885		1
26	884.080.220	Key 8x7x22 - DIN 6885		1
27	635.010.800	Sprocket 1/2" (08B) Simplex z=18		1
28	631.010.735	Chain 1/2" L=735mm		1
29	444.500.600	Chain Tensioner		1
30	638.130.130	Chain connector 1_2 inch 8B Simplex		1
31	912.260.420	Label CULTIPACK-SEEDER		1
32	470.046.902	Side beam left		1



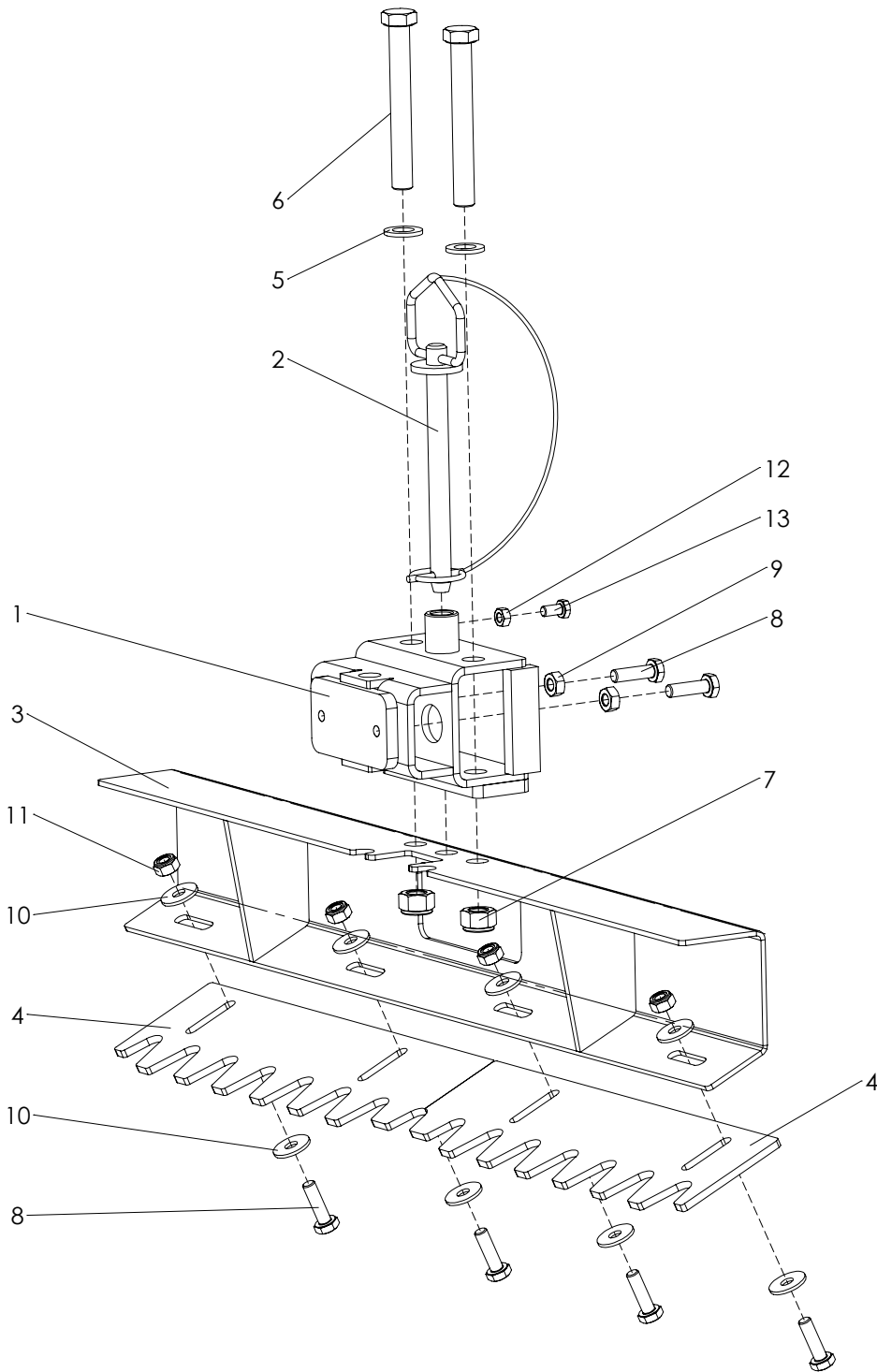
ITEM	PART NUMBER	DESCRIPTION	REMARKS	QUA
1	864.120.030	Washer M12 - ISO 7089		2
2	830.100.100	Self Lock Nut M10 - ISO 10511		4
3	864.100.030	Washer M10 - ISO 7089		5
4	864.080.024	Large washer M8 - DIN 9021		1
5	866.080.020	Spring Washer M8 - DIN 127		3
6	804.080.160	Bolt M8 x 16 - ISO 4017		4
7	804.100.450	Bolt M10 x 45 - ISO 4017		3
8	866.100.020	Spring Washer M10 - DIN 127		4
9	804.100.250	Bolt M10 x 25 - ISO 4017		4
10	866.120.020	Spring Washer M12 - DIN 127		2
11	804.120.250	Bolt M12 x 25 - ISO 4017		2
12	830.080.080	Self Lock Nut M8 - ISO 10511		3
13	864.140.031	Large washer M14 - DIN 9021		2
14	804.080.350	Bolt M8 x 35 - ISO 4017		2
15	802.100.750	Bolt M10 x 75 - ISO 4014		1
16	880.060.100	Grease nipple M6 DIN 71412A		2
17	523.020.570	R-Clip D=2		3
18	744.250.282	Bearing RAY25		1
19	444.803.100	Toolbox Complete		1
20	474.803.440	Pivot point	For use with Mio F630 and Honda F560	1
	474.803.510	Pivot point	For use with BCS 740, see page 06-3	1
21	402.410.250	Lock ring		1
22	474.204.440	Stand leg		1
23	424.080.800	Lock Pin		1
24	406.110.190	Spacer		3
25	900.280.402	Safety decall manual		1
26	462.080.960	Front beam		1
27	470.046.904	Side beam right		1



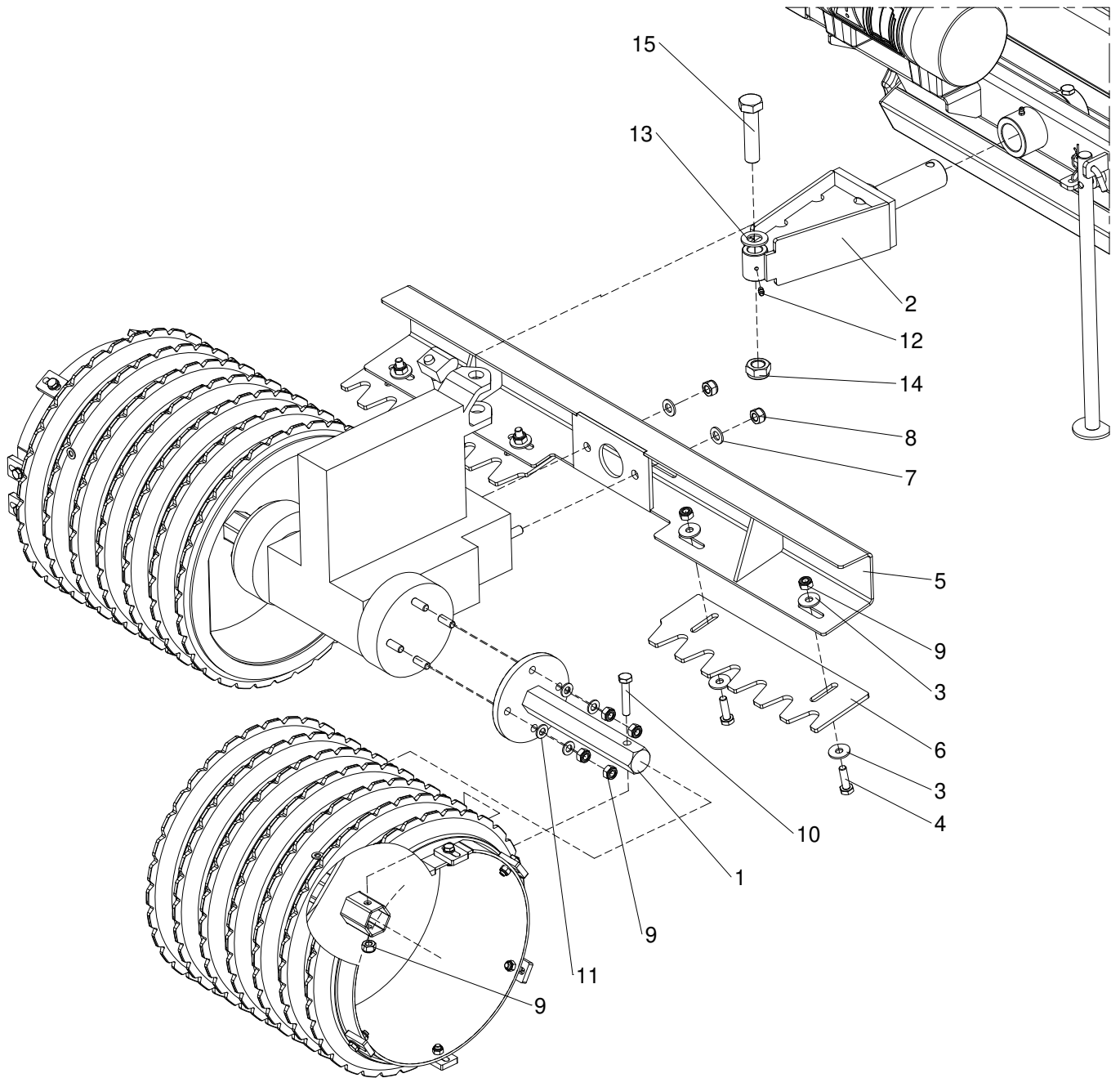
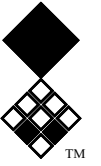
ITEM	PART NUMBER	DESCRIPTION	REMARKS	QUA
1	864.080.024	Large washer M8 - DIN 9021		1
2	866.080.020	Spring Washer M8 - DIN 127		3
3	804.080.160	Bolt M8 x 16 - ISO 4017		4
4	864.100.030	Washer M10 - ISO 7089		5
5	830.100.100	Self Lock Nut M10 - ISO 10511		4
6	804.100.450	Bolt M10 x 45 - ISO 4017		3
7	866.100.020	Spring Washer M10 - DIN 127		4
8	804.100.250	Bolt M10 x 25 - ISO 4017		4
9	866.120.020	Spring Washer M12 - DIN 127		2
10	804.120.250	Bolt M12 x 25 - ISO 4017		2
11	864.120.030	Washer M12 - ISO 7089		2
12	830.120.120	Self Lock Nut M12 - ISO 10511		1
13	802.120.800	Bolt M12 x 80 - ISO 4014		1
14	830.080.080	Self Lock Nut M8 - ISO 10511		3
15	864.140.031	Large washer M14 - DIN 9021		2
16	804.080.350	Bolt M8 x 35 - ISO 4017		2
17	802.100.750	Bolt M10 x 75 - ISO 4014		1
18	880.060.100	Grease nipple M6 DIN 71412A		2
19	523.020.570	R-Clip D=2		1
20	744.250.282	Bearing RAY25		1
21	444.803.100	Toolbox Complete		1
22	402.410.250	Lock ring		1
23	474.204.440	Stand leg		1
24	424.080.800	Lock Pin		1
25	406.110.190	Spacer		3
26	912.260.420	Label CULTIPACK-SEEDER		1
27	900.280.402	Safety decall manual		1
28	462.080.960	Front beam		1
29	470.046.904	Side beam right		1



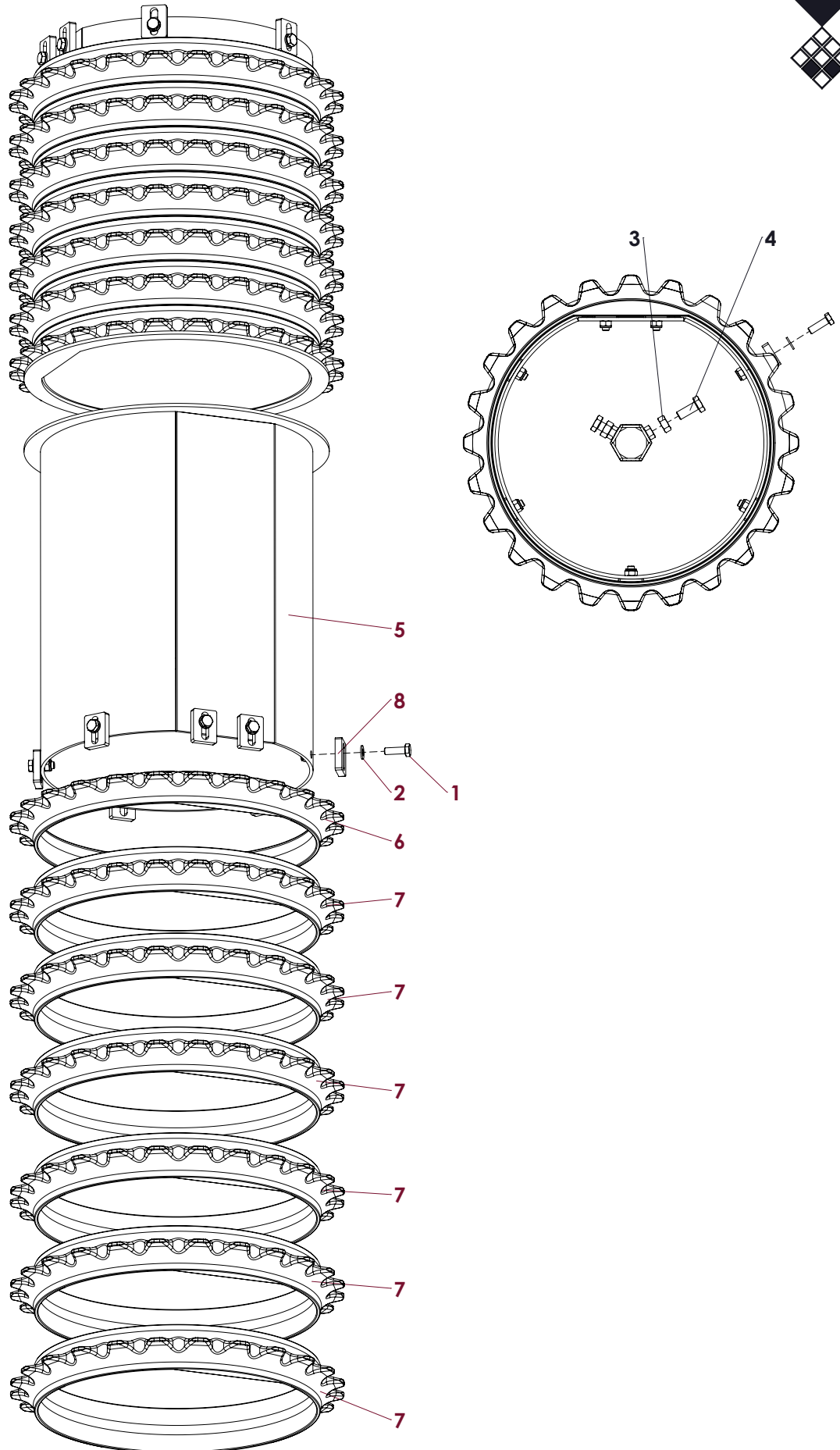
ITEM	PART NUMBER	DESCRIPTION	REMARKS	QUA
1	864.160.030	Washer M16 - ISO 7089		2
2	830.160.160	Self Lock Nut M16 - ISO 10511		2
3	802.161.300	Bolt M16 x 130 - ISO 4014		2
4	826.100.100	Nut M10 - DIN 934		2
5	826.080.080	Nut M8 - DIN 934		1
6	804.080.160	Bolt M8 x 16 - ISO 4017		1
7	804.100.350	Bolt M10 x 35 - ISO 4017		6
8	864.100.031	Large washer M10 - DIN 9021		8
9	830.100.100	Self Lock Nut M10 - ISO 10511		4
10	470.048.520	Scraper support		1
11	470.061.400	Hitch jaw		1
12	468.064.140	Scraper		2
13	521.161.630	Pin 16 L=163		3



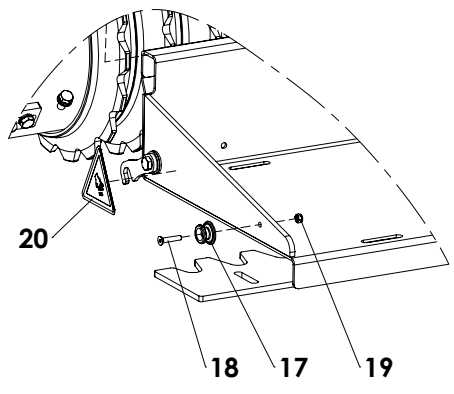
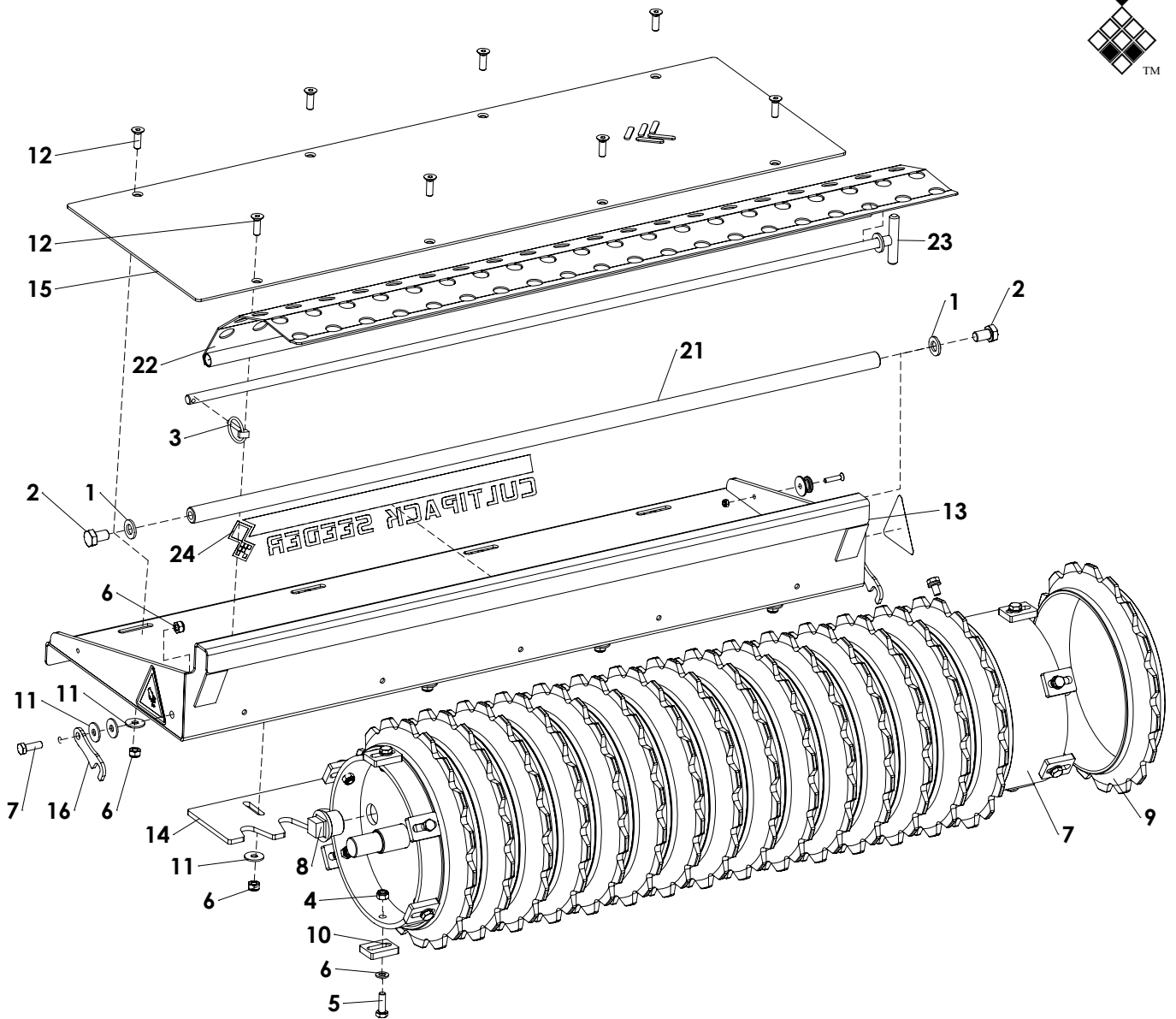
ITEM	PART NUMBER	DESCRIPTION	REMARKS	QUA
1	470.061.401	Hitch jaw - Honda F560		1
2	521.161.630	Pin 16 L=163		1
3	470.048.520	Scraper support		1
4	468.064.140	Scraper		2
5	864.160.030	Washer M16 - ISO 7089		2
6	802.161.300	Bolt M16 x 130 - ISO 4014		2
7	830.160.160	Self Lock Nut M16-ISO 10511 Class 10		2
8	804.100.350	Bolt M10 x 35 - ISO 4017		6
9	826.100.100	Nut M10 - DIN 934		2
10	864.100.031	Large washer M10 - DIN 9021		8
11	830.100.100	Self Lock Nut M10 - ISO 10511		4
12	826.080.080	Nut M8 - DIN 934		1
13	804.080.160	Bolt M8 x 16 - ISO 4017		1



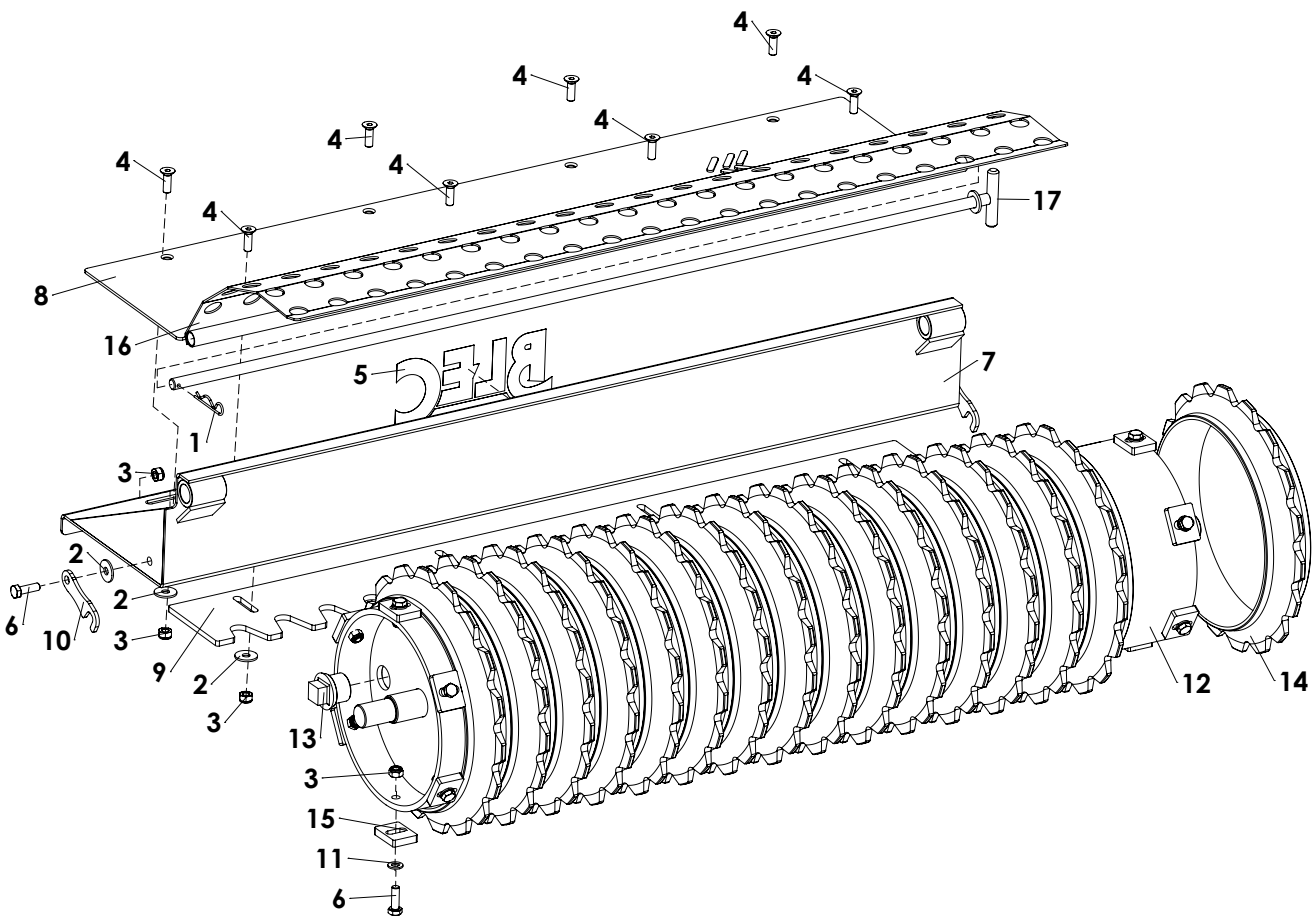
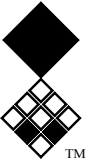
ITEM	PARTNUMBER	DESCRIPTION	REMARKS	QUA
1	474.352.370	Axle stub		2
2	474.803.510	Pivot point		1
3	864.100.031	Large washer M10 - DIN 9021		8
4	804.100.350	Bolt M10 x 35 - ISO 4017		4
5	470.049.650	Scraper support		1
6	468.063.860	Scraper		2
7	864.120.030	Washer M12 - ISO 7089		2
8	830.120.120	Self Lock Nut M12 - ISO 10511		2
9	830.100.100	Self Lock Nut M10 - ISO 10511		14
10	804.100.550	Bolt M10 x 55 - ISO 4017		2
11	864.100.030	Washer M10 - ISO 7089		8
12	880.060.100	Grease nipple M6 DIN 71412A		1
13	864.200.030	Washer M20 - ISO 7089		1
14	830.200.200	Self Lock Nut M20 Din 985 h=17		1
15	802.200.850	Bolt M20 x 85 - ISO 4014		1
	224.091.004	BCSkit Cultipack-Sæder CP36		



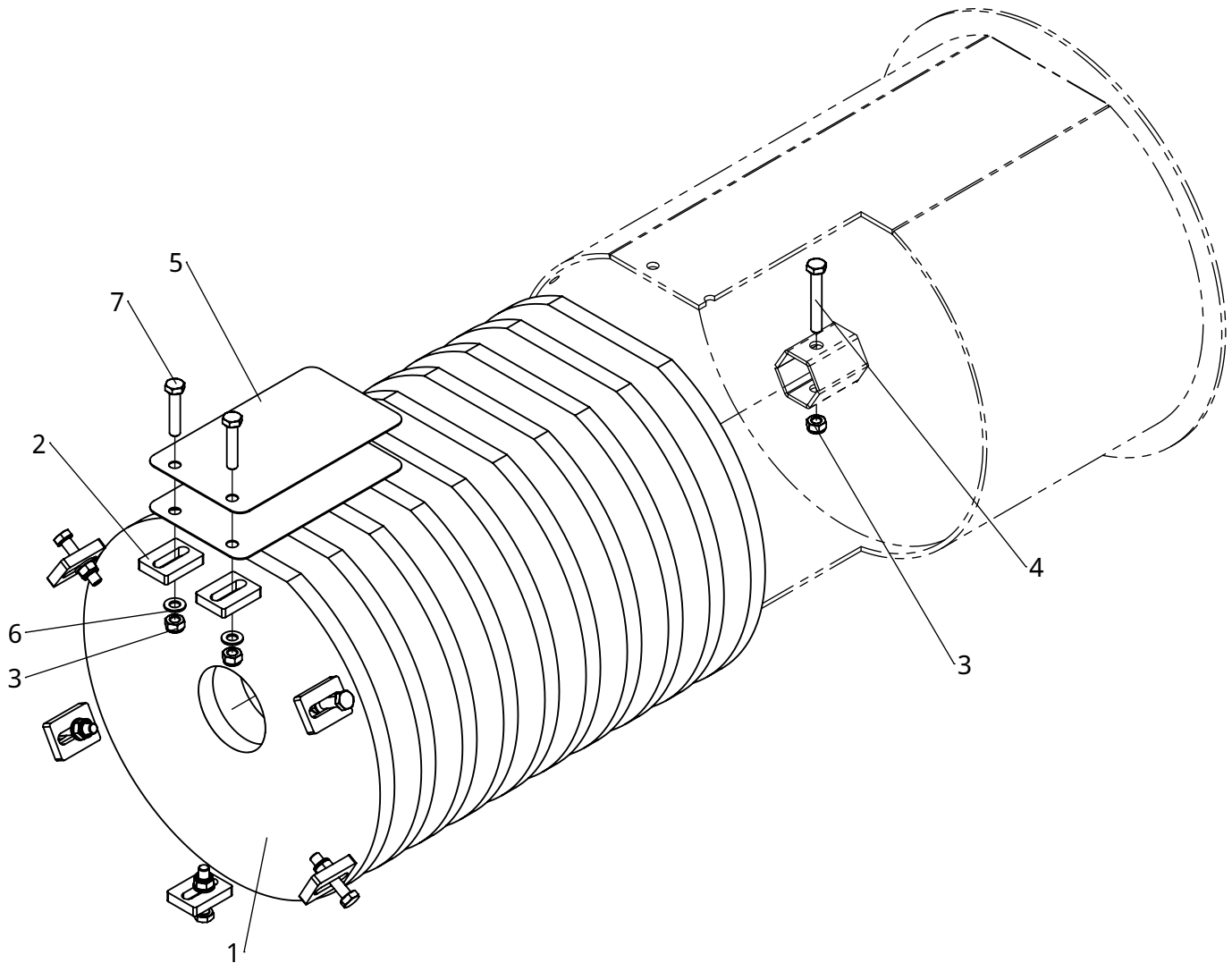
ITEM	PART NUMBER	DESCRIPTION	REMARKS	QUA
1	804.080.250	Bolt M8 x 25 - ISO 4017		14
2	864.080.030	Washer M8 - ISO 7089		14
3	826.100.100	Nut M10 - DIN 934		4
4	804.100.250	Bolt M10 x 25 - ISO 4017		4
5	470.044.000	Front drum		2
6	316.389.036	Ring front 12" half		2
7	316.389.055	Ring front 12"		12
8	468.080.400	Lock strip		14



ITEM	PART NUMBER	DESCRIPTION	REMARKS	QUA
1	864.120.030	Washer M12 - ISO 7089		2
2	804.120.200	Bolt M12 x 20 - ISO 4017		2
3	523.040.320	Linch pin Ø4.5		1
4	830.080.080	Self Lock Nut M8 - ISO 10511		12
5	804.080.250	Bolt M8 x 25 - ISO 4017		12
6	864.080.030	Washer M8 - ISO 7089		12
7	488.219.910	Rear roller		1
8	856.303.000	Plug M30x1.5		1
9	316.292.055	Cast ring 9"		16
10	468.080.400	Lock strip		12
11	864.080.024	Large washer M8 - DIN 9021		12
12	816.080.250	Bolt M8x25 DIN 7991		8
13	470.039.851	Footplate		1
14	468.069.010	Scrapers		1
15	468.039.401	Plate		1
16	468.040.770	Step lock		2
17	590.130.030	Nylon button		1
18	816.050.250	Bolt M5x25 - DIN 7991		1
19	830.050.050	Self Lock Nut M5 - ISO 10511		1
20	900.280.404	Decal cut off fingers		2
21	476.020.930	Shaft		1
22	456.099.025	Rear cover		1
23	474.129.100	Lock bar		1
24	912.260.422	Label Cultipack seeder		1

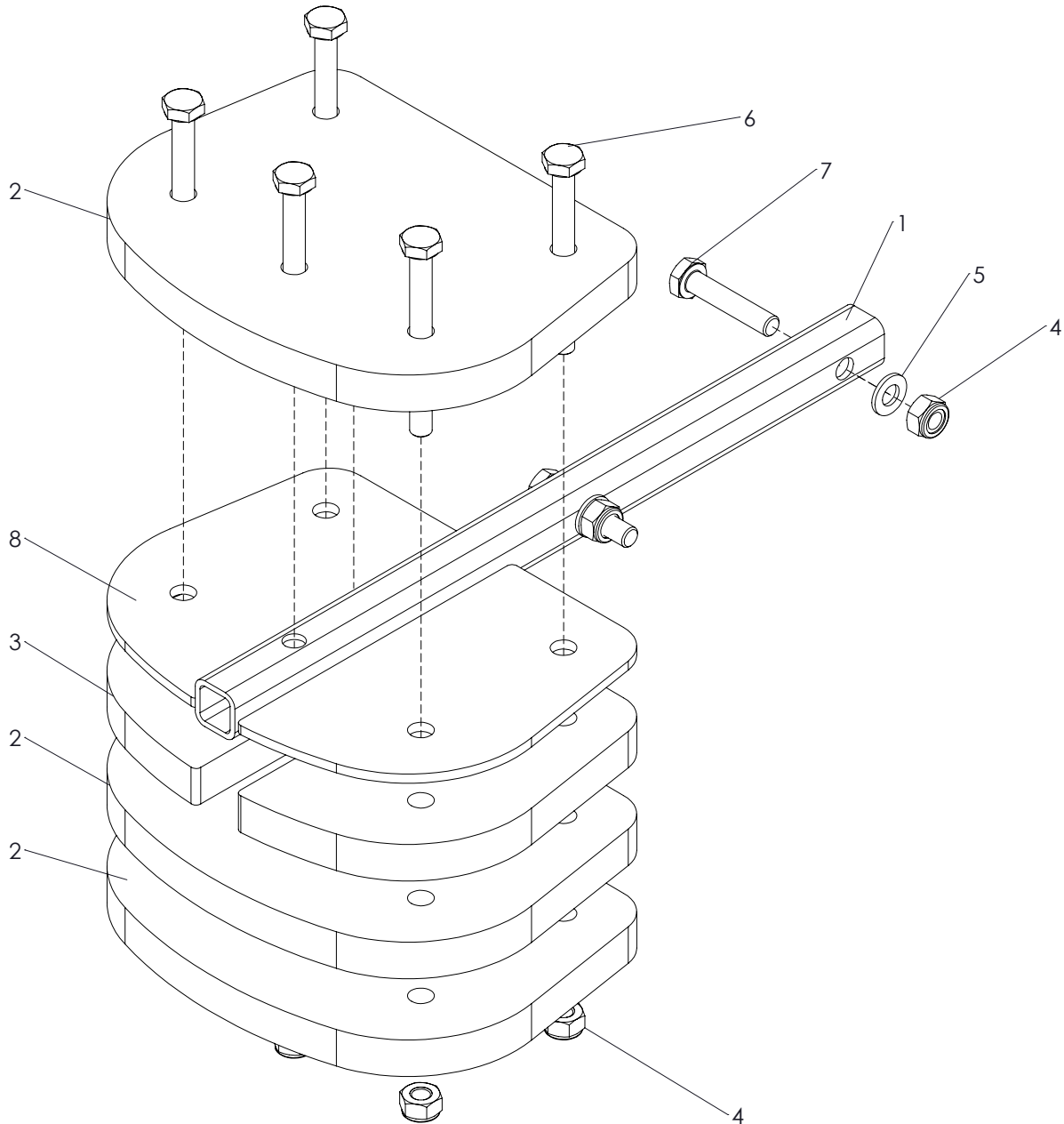


ITEM	PART NUMBER	DESCRIPTION	REMARKS	QUA
1	523.020.570	R-Clip D=2		1
2	864.080.024	Large washer M8 - DIN 9021		10
3	830.080.080	Self Lock Nut M8 - ISO 10511		22
4	816.080.250	Bolt M8x25 DIN 7991		8
5	900.260.500	Decall Blec		1
6	804.080.250	Bolt M8 x 25 - ISO 4017		14
7	470.039.850	Footplate		1
8	468.039.400	Plate		1
9	468.069.010	Scraper		1
10	468.040.770	Step lock		2
11	864.080.030	Washer M8 - ISO 7089		12
12	488.219.910	Rear roller		1
13	856.303.000	Plug M30x1.5		1
14	316.292.055	Cast ring 9"		16
15	468.080.400	Lock strip		12
16	456.099.025	Rear cover		1
17	474.129.100	Lock bar		1

BLEC

Total weight: 169 Kg (372 pound)
1 side visualized

ITEM	PART NUMBER	DESCRIPTION	REMARKS	QUANTITY
1	468.153.100	Weight disc CP seeder		20
2	468.080.400	Lock strip		14
3	830.080.080	Self Lock Nut M8 - ISO 10511		16
4	802.080.550	Bolt M8 x 55 - ISO 4014		2
5	468.011.750	Shim plate	Check on wheel drum machine how much needed	4
6	864.080.030	Washer M8 - ISO 7089		14
7	802.080.400	Bolt M8 x 40 - ISO 4014		14
	224.091.010	Wheel weight kit	Kit for 2 wheels	



ITEM	PART NUMBER	DESCRIPTION	REMARKS	QUA
1	476.025.410	Hollow bar		1
2	468.201.750	Weight plate		3
3	468.201.751	Weight plate		2
4	830.100.100	Self Lock Nut M10 - ISO 10511		7
5	864.100.030	Washer M10 - ISO 7089		2
6	802.101.000	Bolt M10 x 100 - ISO 4014		5
7	802.100.500	Bolt M10 x 50 - ISO 4014		2
8	468.051.750	Weight plate		2
9				
10	224.091.014	Front weight kit Honda	Kit	1