

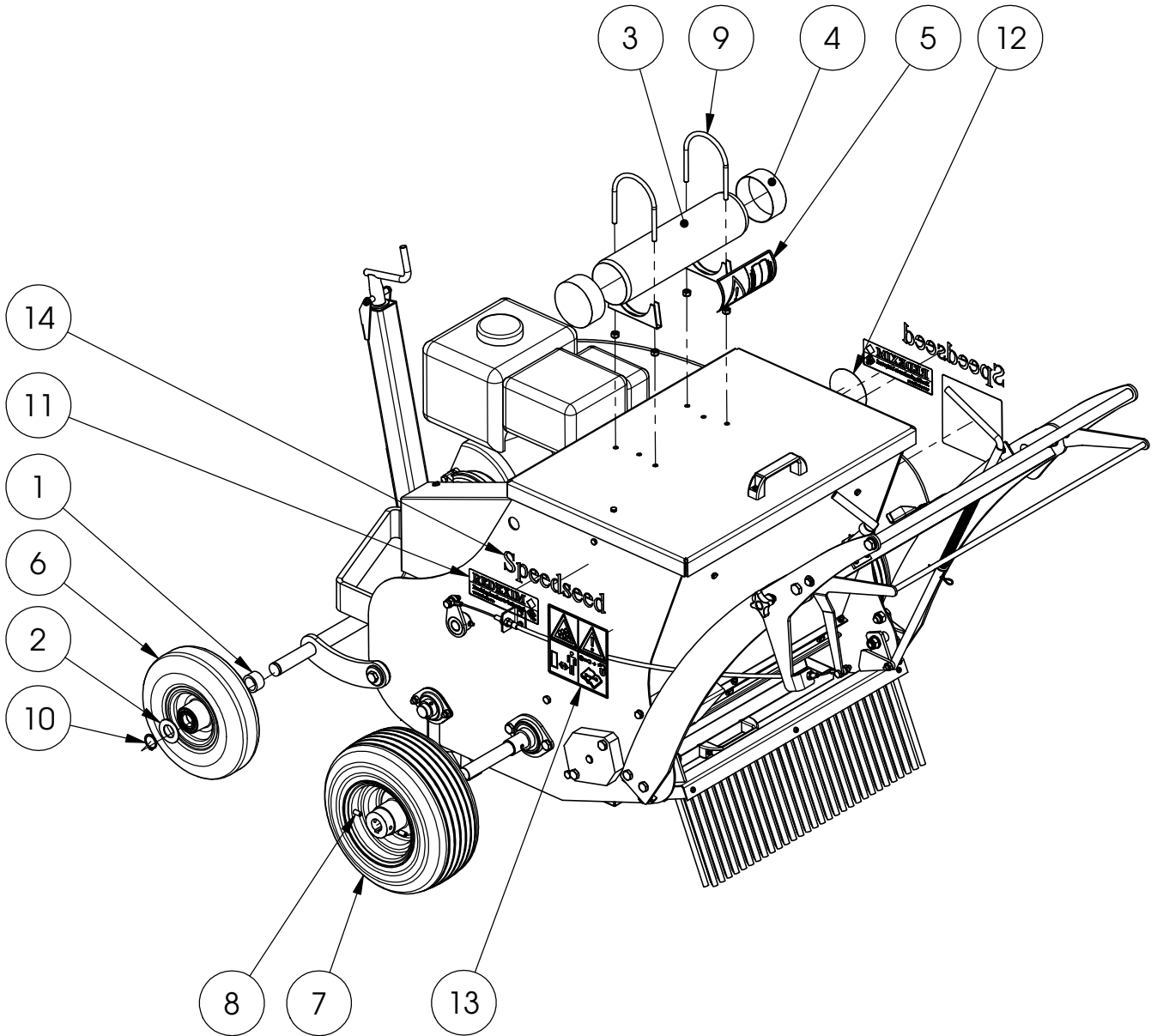
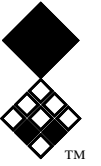
SPEEDSEED WALK BEHIND



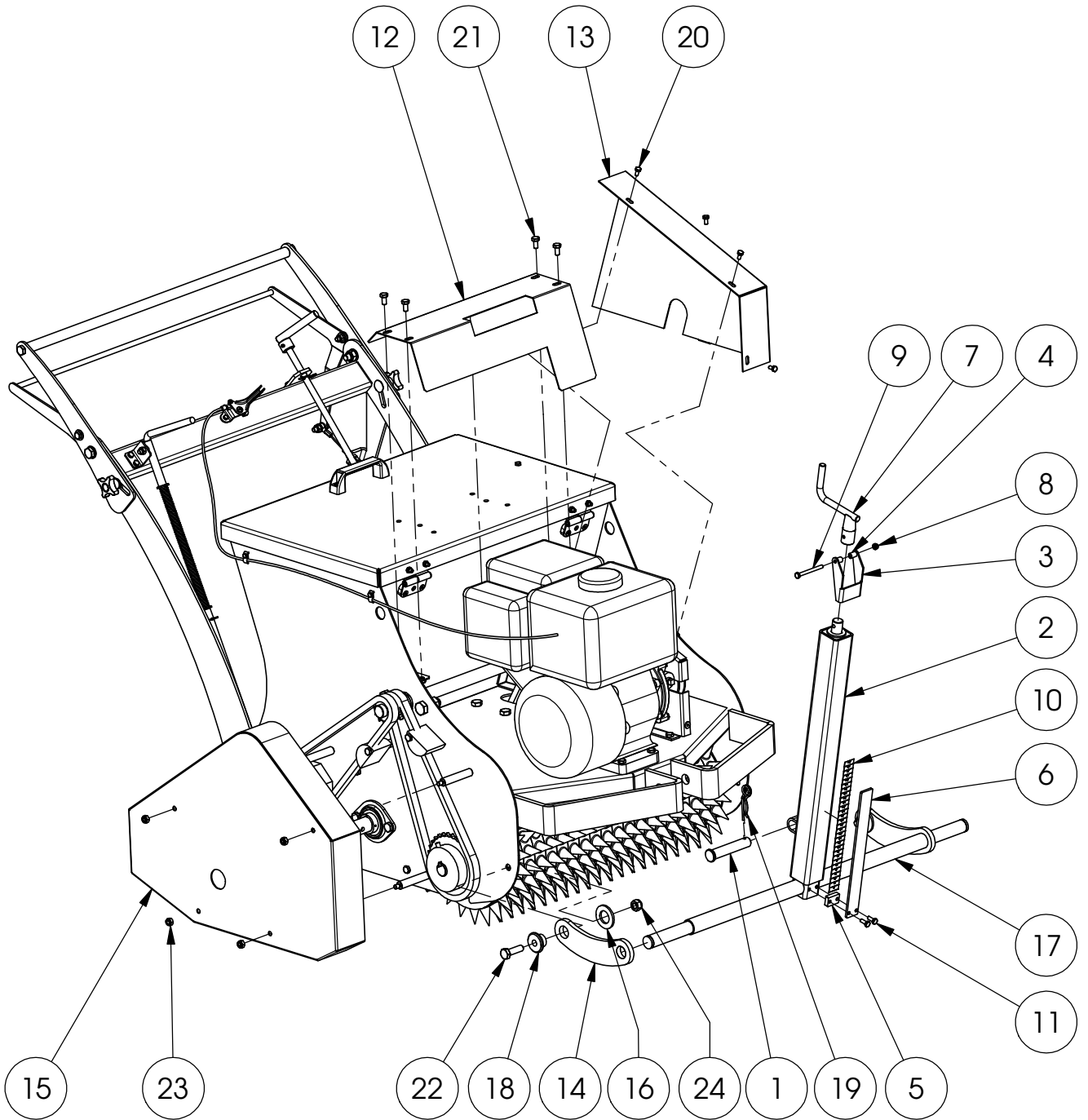
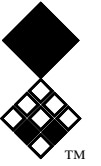
Version: 2245



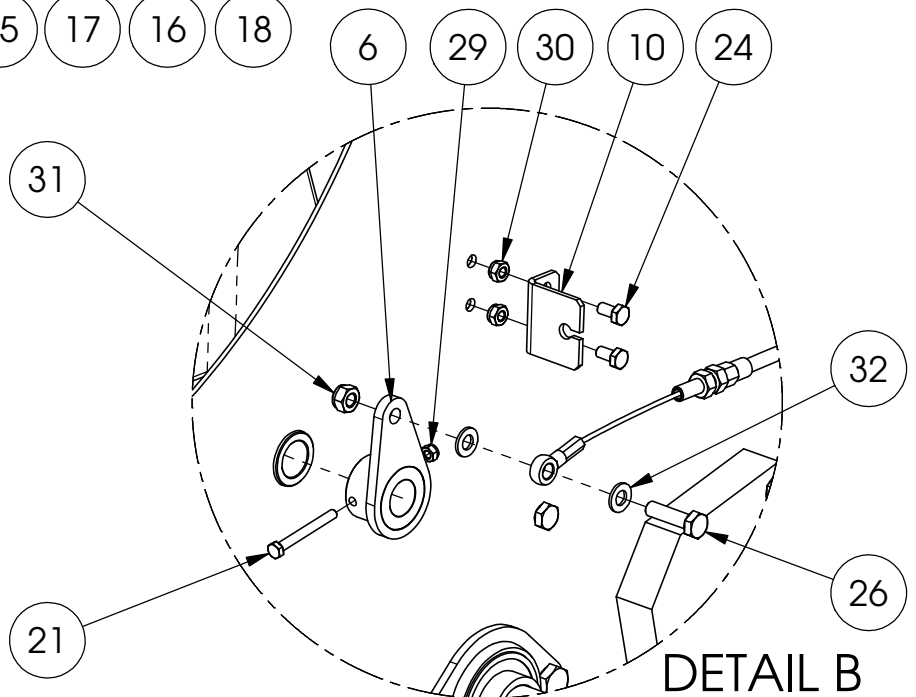
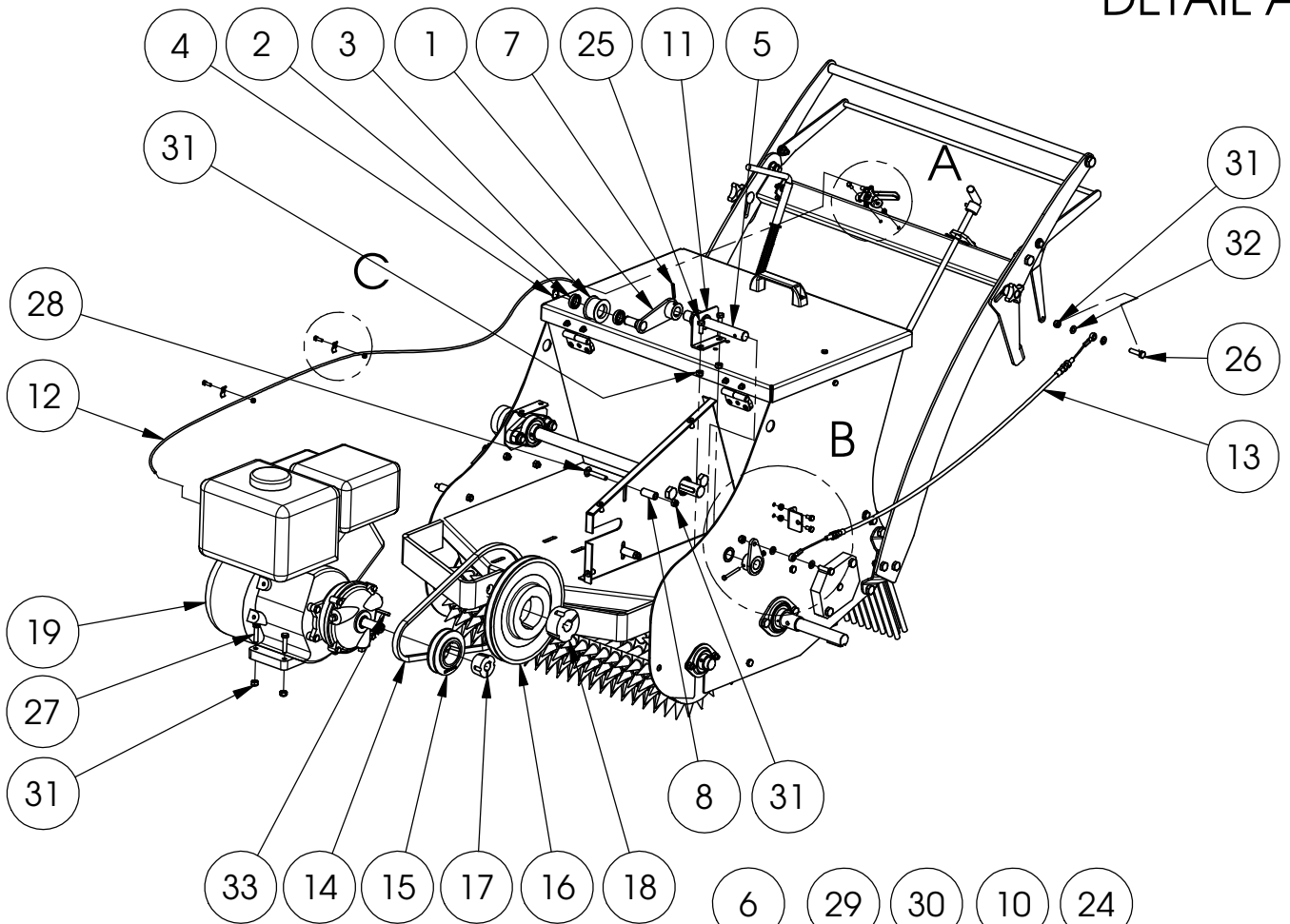
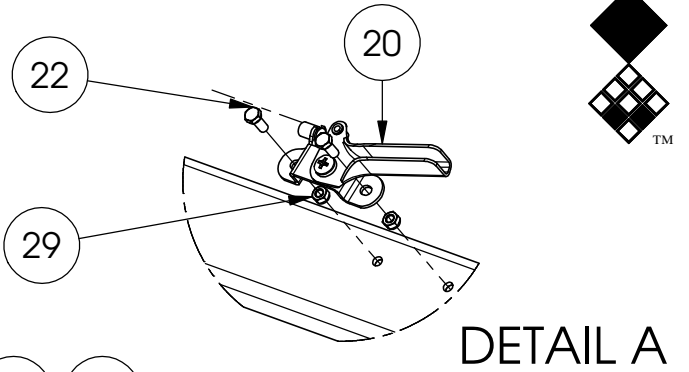
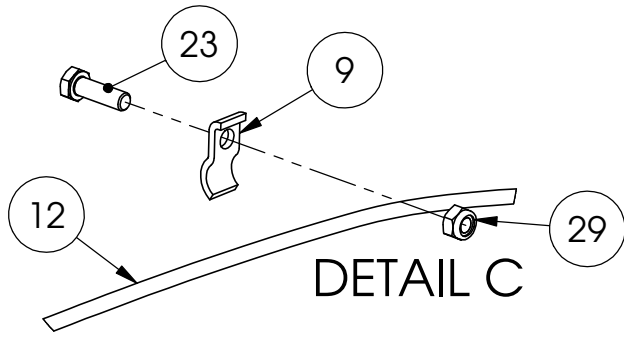
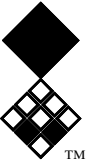
Kwekerijweg 8 | 3709JA | Zeist | The Netherlands |
T: +31 (0)306 933 227
E: redexim@redexim.com
W: www.redexim.com



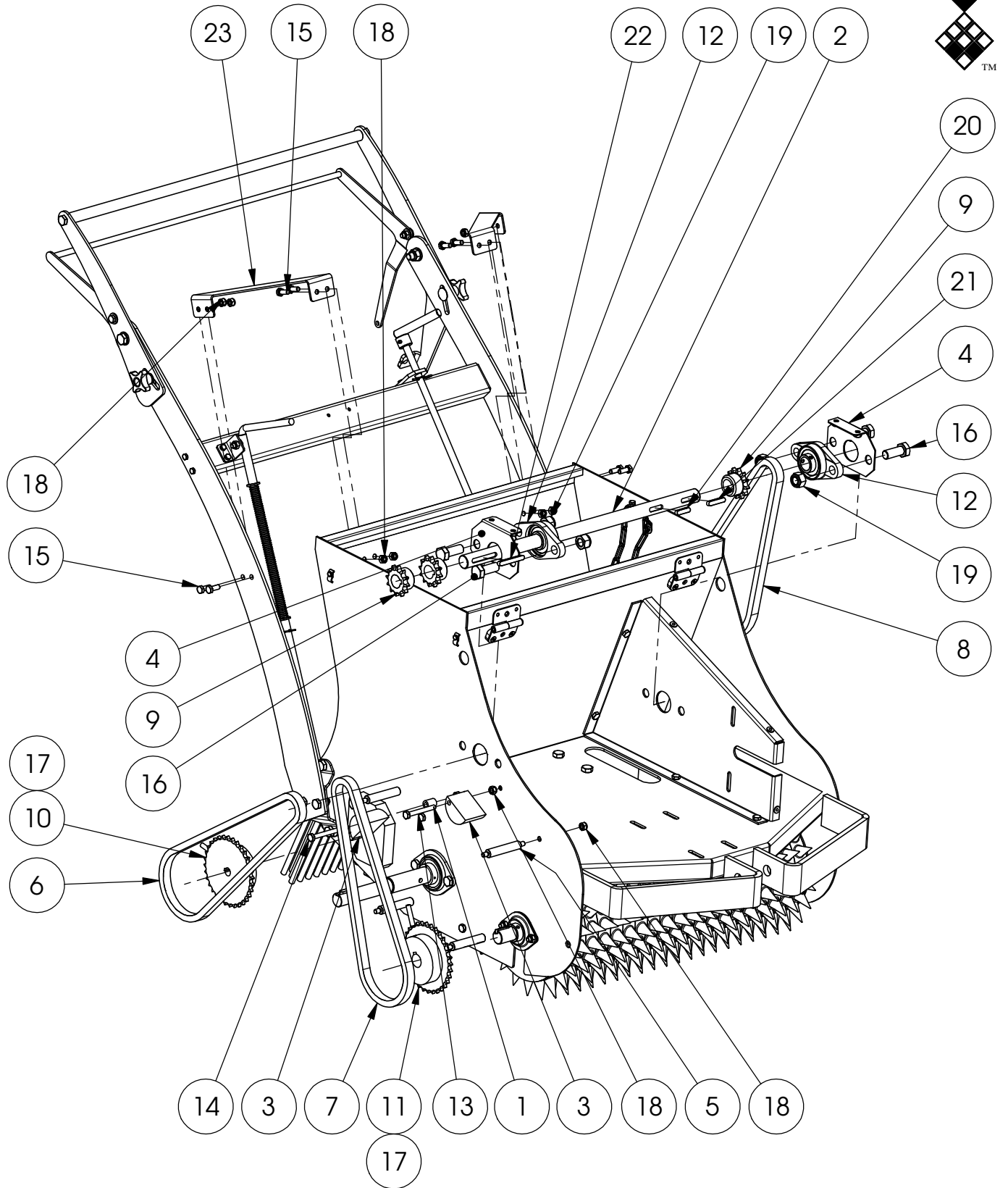
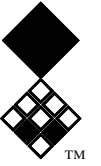
ITEM	PART NUMBER	DESCRIPTION	REMARKS	QUA
1	406.250.200	Bush		2
2	472.020.470	Washer		2
3	991.143.400	Manual/Toolbox Empty		1
4	991.140.600	Cover For PVC Pipe Ø90		2
5	900.280.402	Safety decall tool box		1
6	511.255.085	Wheel 8x3.00-4		2
7	519.325.135	Wheel with bushes		2
8	818.080.160	Set screw M8 x 16 - DIN 913		4
9	848.320.600	U-bolt complete		2
10	870.025.120	Circlip d=25 - DIN 471		2
11	900.260.403	Logo Label Rev.B		2
12	911.340.410	Safety decall noise		1
13	921.280.402	Safety decall VS		2
14	924.260.404	Decall Speedseed		2



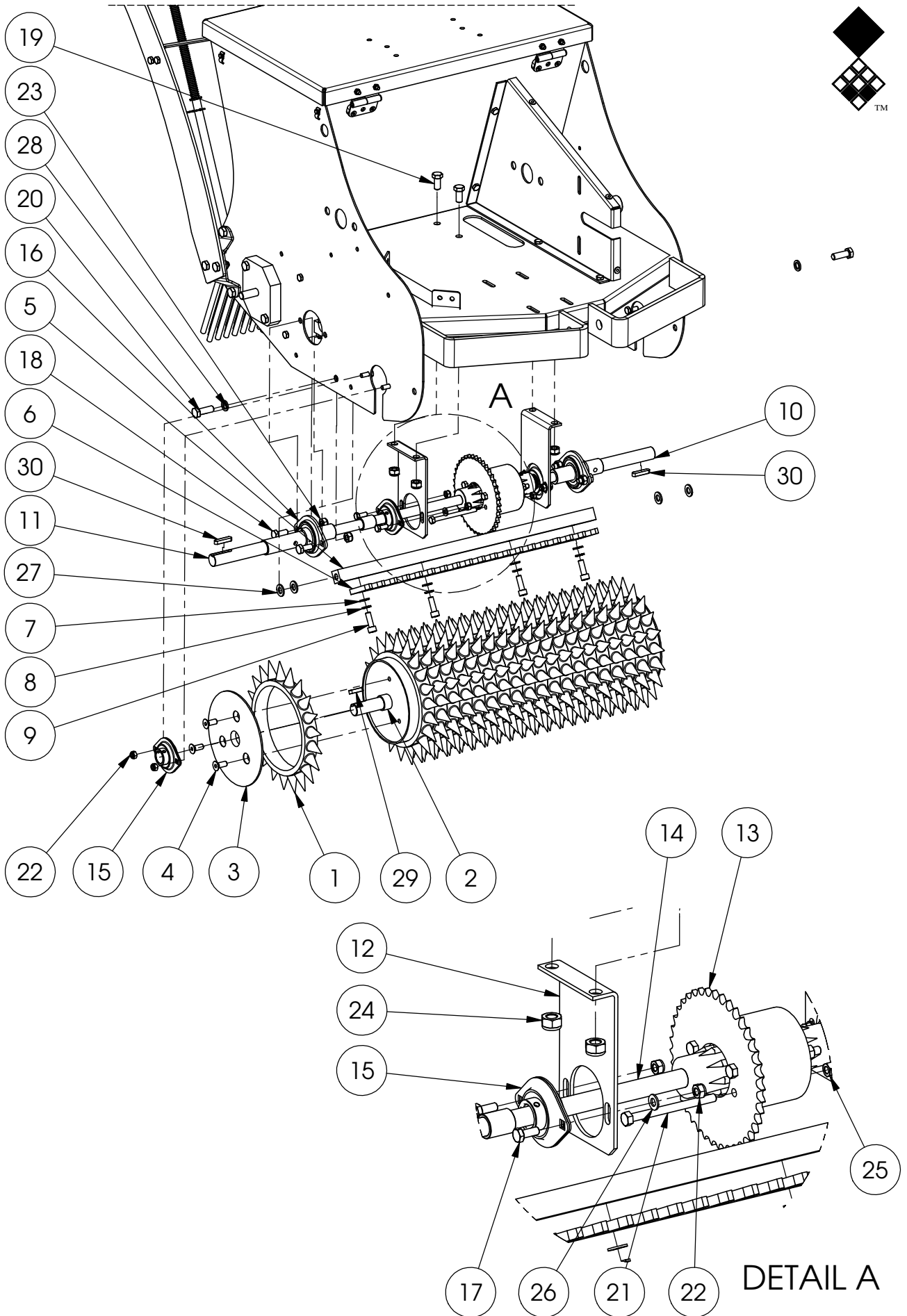
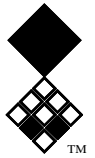
ITEM	PART NUMBER	DESCRIPTION	REMARKS	QUA
1	2490825	Top Link Pin		1
2	460.505.000	Spindle 50 x 50, Stroke 500mm		1
3	460.505.450-S05	Lock Plate		1
4	460.505.450-S06	Distance Bush		2
5	464.080.300	Distance Block		1
6	464.042.800	Height Indicator Strip, L= 280		1
7	460.505.450-S12	Lever Jack		1
8	830.060.060	Self Lock Nut M6 - ISO 10511		1
9	802.060.650	Bolt M6 x 65 - ISO 4014		1
10	900.260.414	Decall Ruler		1
11	804.060.160	Bolt M6 x 16 - ISO 4017		2
12	468.024.320	Cover plate		1
13	468.025.690	Cover plate		1
14	468.102.100	Front wheel arm		2
15	470.025.740	Cover weldment		1
16	472.040.470	Washer 25		2
17	472.308.600	FRONT AXLE		1
18	472.400.200	Front arm spigot		2
19	523.030.750	R-Clip Round 4, DIN 11024		1
20	804.100.250	Bolt M6 x 12 - ISO 4017		4
21	804.080.160	Bolt M8 x 16 - ISO 4017		4
22	804.120.400	Bolt M12 x 40 - ISO 4017		2
23	830.080.080	Self Lock Nut M8 - ISO 10511		4
24	830.120.120	Self Lock Nut M12 - ISO 10511		2



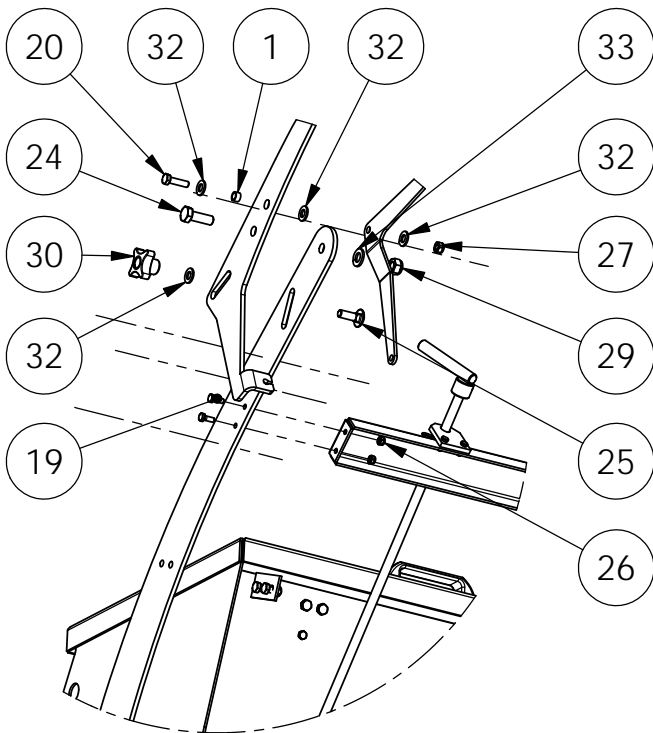
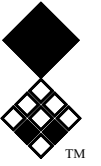
ITEM	PART NUMBER	DESCRIPTION	REMARKS	QUA
1	470.061.220	Weldment tensioner arm		1
2	713.170.070	Bearing 61903-2RS		2
3	472.500.300	Idler roll		1
4	870.017.100	Circlip d=17 - DIN 471		1
5	472.201.650	Idler shaft		1
6	470.060.820	Weldment idler part		1
7	878.050.320	Roll pin Ø5x32		1
8	406.090.150	Distance bush		2
9	464.020.240	Clamp strip for cable		2
10	468.030.602	Bracket tensioner cable		1
11	470.030.800	Bracket tensioner		1
12	591.050.872	Throttle cable L=1,9m		1
13	591.081.250	Idler cable		1
14	642.131.030	V-belt XPA 1030		1
15	646.010.904	SPA 90-1 T1210		1
16	646.012.240	1 groove - profile 13 and SPA 224		1
17	648.191.210	Taperlock 1210 - 19mm		1
18	648.252.012	Taperlock 2012 - 25mm		1
19	672.290.375	Engine B&S 6.5PK complete with reducer		1
20	676.301.002	THROTTLE LEVER ASSY		1
21	802.060.600	Bolt M5 x 45 - ISO 4014		1
22	804.050.120	Bolt M5 x 12 - ISO 4017		2
23	804.050.160	Bolt M5 x 16 - ISO 4017		4
24	804.100.250	Bolt M6 x 12 - ISO 4017		2
25	804.080.200	Bolt M8 x 20 - ISO 4017		2
26	804.080.300	Bolt M8 x 30 - ISO 4017		2
27	804.080.350	Bolt M8 x 35 - ISO 4017		4
28	820.080.500	MH Bolt M8 x 50 ISO 8677		2
29	830.050.050	Self Lock Nut M5 - ISO 10511		3
30	830.060.060	Self Lock Nut M6 - ISO 10511		2
31	830.080.080	Self Lock Nut M8 - ISO 10511		10
32	864.080.030	Washer M8 - ISO 7089		4
33	884.040.360	Key 4,7x4,7x36		1



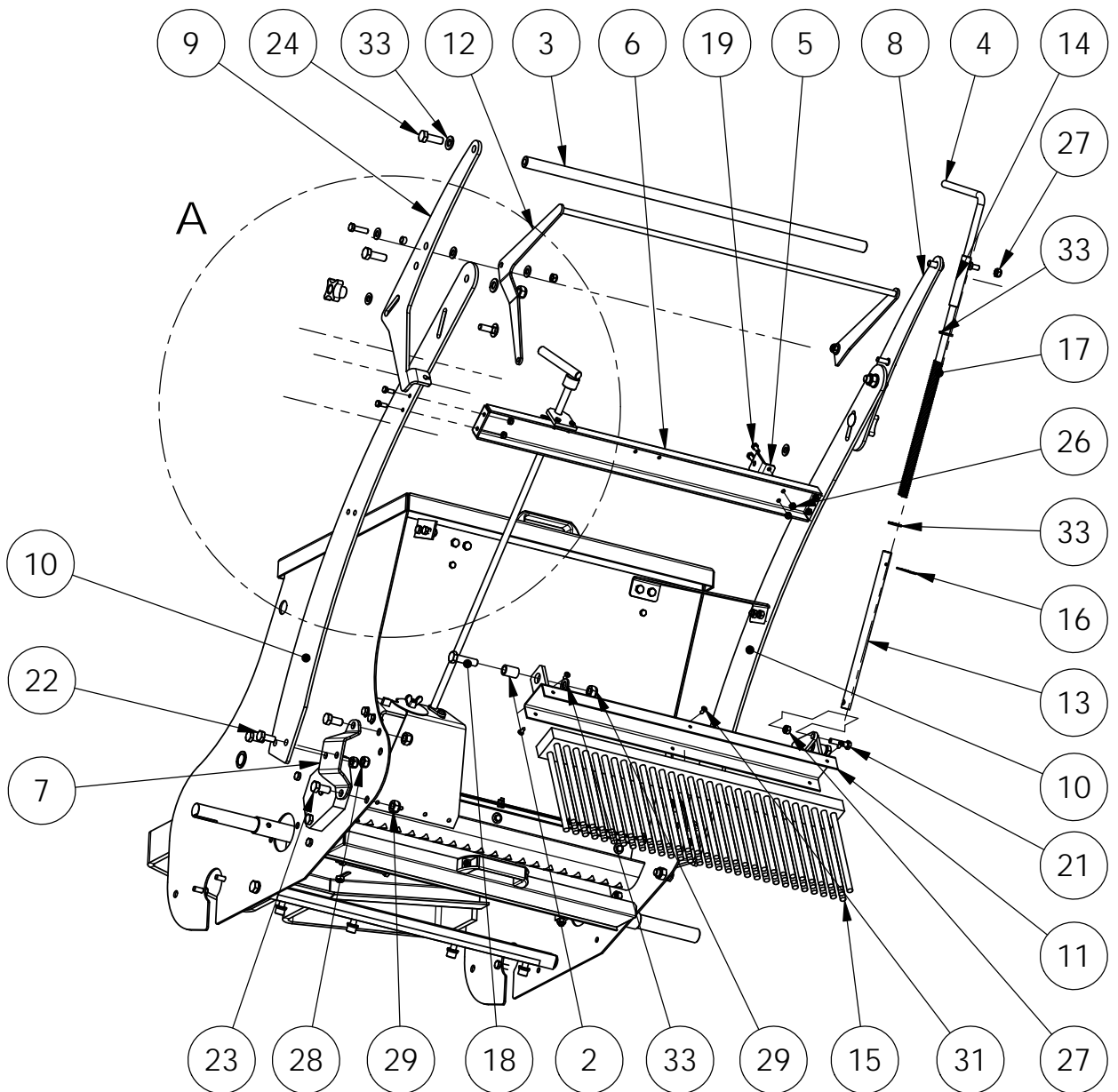
ITEM	PART NUMBER	DESCRIPTION	REMARKS	QUA
1	406.080.200	Distance bush		1
2	414.255.650	Shaft		1
3	444.500.600	Chain tensioner seed hopper		2
4	470.021.300	Bracket bearing		2
5	472.150.990	Stud		4
6	631.011.050	Chain 1/2" , L=1050		1
7	631.011.800	Chain 1/2" , L=980		1
8	631.019.200	Chain 1/2" , L=940		1
9	635.010.300	Sprocket 12T		3
10	635.151.340	Sprockets single with hub		1
11	635.251.342	Single sprocket with hub		1
12	742.250.360	Bearing UCFL 205		2
13	802.080.650	Bolt M8 x 65 - ISO 4014		1
14	802.080.850	Bolt M8 x 85 - ISO 4014		1
15	804.080.200	Bolt M8 x 20 - ISO 4017		28
16	804.160.400	Bolt M16 x 40 - ISO 4017		4
17	818.080.400	Set screw M8 x 40 - DIN 913		2
18	830.080.080	Self Lock Nut M8 - ISO 10511		6
19	830.160.160	Self Lock Nut M16 - ISO 10511		4
20	884.080.320	Key 8x7x32 - DIN 6885		1
21	884.080.400	Key 8x7x40 - DIN 6885		1
22	884.080.600	Key 8x7x60 - DIN 6885		1
23	468.033.100	Reinforcement plate		2



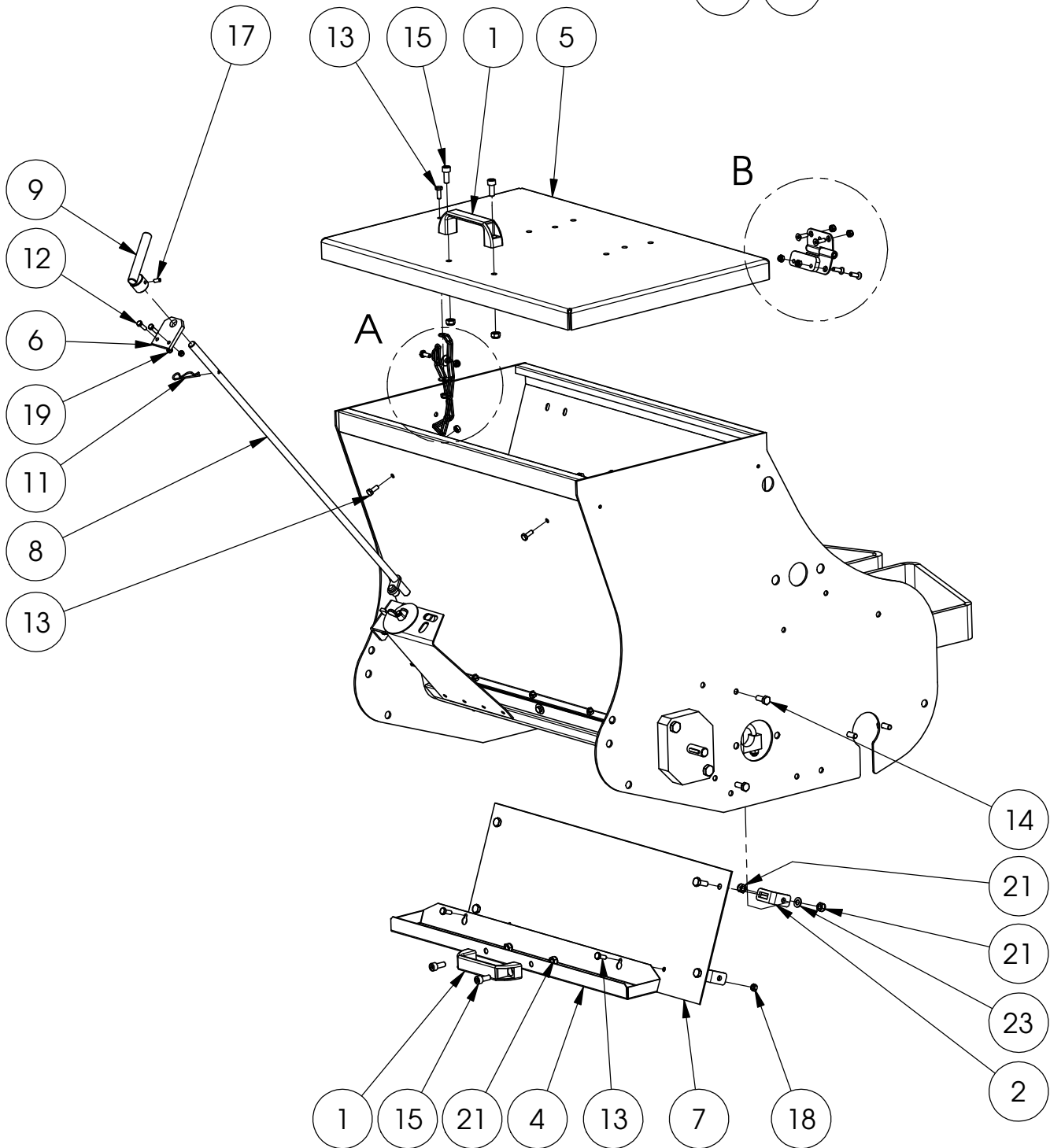
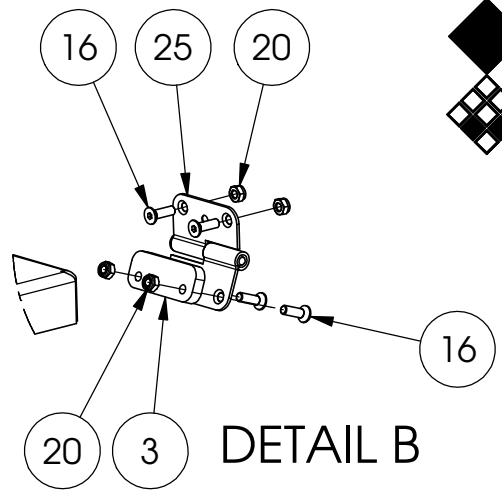
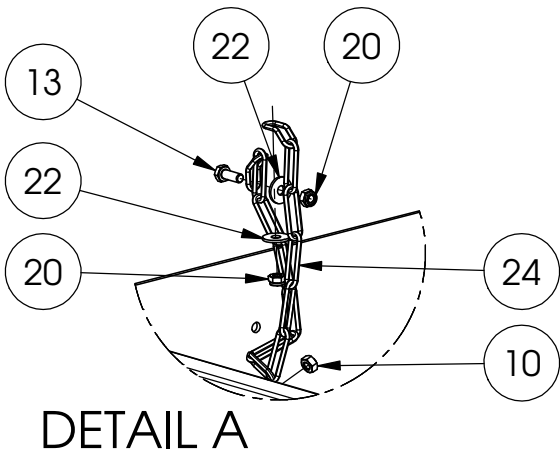
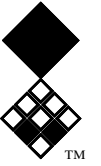
ITEM	PART NUMBER	DESCRIPTION	REMARKS	QUA
1	316.272.029	Spiked segment		20
2	478.172.715	Assy spike roller		1
3	468.121.950	Deck roller		2
4	816.100.252	Bolt M10 x 25 - DIN 7991		6
5	472.256.100	Comb base		1
6	468.105.500	Comb teeth		1
7	864.100.030	Washer M10 - ISO 7089		4
8	866.100.020	Spring Washer M10 - DIN 127		4
9	814.100.300	Bolt M10 x 30 - DIN 912		4
10	414.302.100	Shaft extension		1
11	414.302.620	Shaft extension		1
12	468.042.030	Bearing bracket		2
13	635.010.070	Chain wheel 1/2"x5/16", z=40		1
14	690.197.090	Differential Axle		1
15	744.250.270	Bearing RAYT-25		4
16	744.300.302	Bearing RATY-30		2
17	804.080.200	Bolt M8 x 20 - ISO 4017		4
18	804.100.250	Bolt M10 x 25 - ISO 4017		4
19	804.120.250	Bolt M12 x 25 - ISO 4017		4
20	804.120.350	Bolt M12 x 35 - ISO 4017		5
21	808.081.000	Bolt 5_16 - 24 x 4" UNF		4
22	830.080.080	Self Lock Nut M8 - ISO 10511		8
23	830.100.100	Self Lock Nut M10 - ISO 10511		4
24	830.120.120	Self Lock Nut M12 - ISO 10511		4
25	838.080.080	Nut 5_16 UNF		4
26	864.080.030	Washer M8 - ISO 7089		4
27	864.120.030	Washer M12 - ISO 7089		4
28	866.120.020	Spring Washer M12 - DIN 127		2
29	884.080.320	Key 8x7x32 - DIN 6885		2
30	884.080.400	Key 8x7x40 - DIN 6885		2



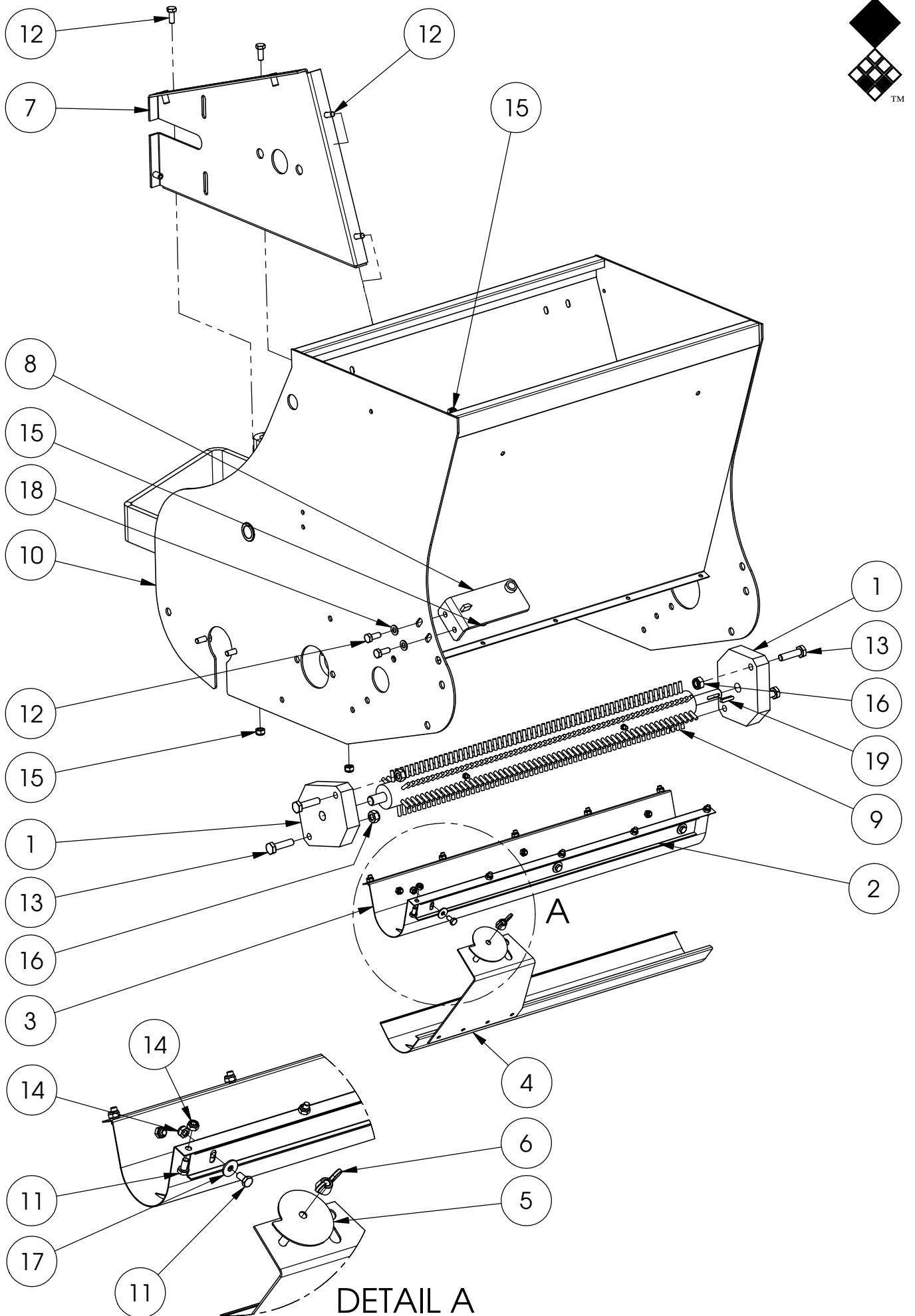
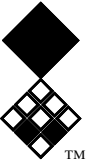
DETAIL A
SCALE 1 : 10



ITEM	PART NUMBER	DESCRIPTION	REMARKS	QUA
1	406.090.070	Distance bush		2
2	406.120.260	Distance bush		2
3	414.257.130	Shaft		1
4	422.126.000	Seed control lever		1
5	468.030.600	Bracket lever		1
6	468.037.460	Handle bar channel		1
7	468.041.800	Bracket handle bar		2
8	468.053.960	Handle bar side plate right		1
9	468.053.962	Handle bar side plate left		1
10	468.067.602	Sector plate right		2
11	470.036.150	Weldment brush channel		1
12	474.107.000	Handle bar		1
13	476.162.900	Tube		1
14	478.160.920	Weldment tube		1
15	486.556.100	Brush		1
16	523.020.570	R-Clip D=2		2
17	576.132.500	Pressure spring		1
18	802.120.450	Bolt M12 x 45 - ISO 4014		2
19	804.060.160	Bolt M6 x 16 - ISO 4017		6
20	804.080.300	Bolt M8 x 30 - ISO 4017		2
21	804.080.350	Bolt M8 x 35 - ISO 4017		1
22	804.100.250	Bolt M10 x 25 - ISO 4017		4
23	804.120.250	Bolt M12 x 25 - ISO 4017		4
24	804.120.350	Bolt M12 x 35 - ISO 4017		4
25	820.100.300	MH Bolt M10 x 30 ISO 8677		2
26	830.060.060	Self Lock Nut M6 - ISO 10511		6
27	830.080.080	Self Lock Nut M8 - ISO 10511		3
28	830.100.100	Self Lock Nut M10 - ISO 10511		4
29	830.120.120	Self Lock Nut M12 - ISO 10511		8
30	836.100.260	Knop M10 - Din 6335		2
31	860.050.130	Tapping screw 4.8 x 13 - DIN 7049		6
32	864.100.030	Washer M10 - ISO 7089		6
33	864.120.030	Washer M12 - ISO 7089		8



ITEM	PART NUMBER	DESCRIPTION	REMARKS	QUA
1	444.151.250	Handle		2
2	464.030.400	Bracket		4
3	464.080.650	Shim		2
4	468.026.140	Weldment tray		1
5	468.037.060	Deck		1
6	468.060.550	Plate lever		1
7	470.020.612	Section plate		1
8	472.127.000	Seed control lever assy		1
9	474.151.000	Handle		1
10	826.060.060	Nut M6 - DIN 934		2
11	523.020.570	R-Clip D=2		1
12	804.050.160	Bolt M5 x 16 - ISO 4017		2
13	804.060.160	Bolt M6 x 16 - ISO 4017		8
14	804.080.200	Bolt M8 x 20 - ISO 4017		4
15	814.080.200	Bolt M8 x 20 - DIN 912		4
16	816.060.200	CSK Screw M6 x 20 - DIN 7991		8
17	818.050.120	Set screw M5 x 12 - DIN 913		1
18	826.060.060	Nut M6 - DIN 934		4
19	830.050.050	Self Lock Nut M5 - ISO 10511		2
20	830.060.060	Self Lock Nut M6 - ISO 10511		10
21	830.080.080	Self Lock Nut M8 - ISO 10511		8
22	864.060.031	Large washer M6 - DIN 9021		2
23	864.080.030	Washer M8 - ISO 7089		4
24	899.034.540	Chain		1
25	899.100.630	Hinge		2



ITEM	PART NUMBER	DESCRIPTION	REMARKS	QUA
1	444.251.030	Bearing block overseeder		2
2	468.015.700	Slider track		2
3	468.016.150	Seeder tray		1
4	470.026.020	Seed adjuster		1
5	468.020.510	Adjuster cam		1
6	844.080.080	wing nut M8		1
7	470.034.980	Base plate		1
8	470.051.350	Weldment seed lever support		1
9	486.767.150	Brush Speedseed WB		1
10	494.096.064	Main frame Uni-Seeder		1
11	804.060.120	Bolt M6 x 10 - ISO 4017		16
12	804.080.200	Bolt M8 x 20 - ISO 4017		8
13	804.100.400	Bolt M10 x 40 - ISO 4017		4
14	830.060.060	Self Lock Nut M6 - ISO 10511		16
15	830.080.080	Self Lock Nut M8 - ISO 10511		6
16	830.100.100	Self Lock Nut M10 - ISO 10511		4
17	864.060.031	Large washer M6 - DIN 9021		6
18	864.080.030	Washer M8 - ISO 7089		2
19	884.050.250	Key 5x5x25 - DIN 6885		1