

SPEEDSEED WALK BEHIND



Translation of the original user manual



2245 English 924.060.030 EN

EU – DECLARATION OF CONFORMITY



We,

Redexim Handel- en Exploitatie Maatschappij B.V.
Kwekerijweg 8
3709 JA Zeist, The Netherlands

declare that this “EU - DECLARATION OF CONFORMITY” is issued under our sole responsibility and belongs to the following product:

SPEEDSEED WALK BEHIND WITH MACHINE NUMBER AS INDICATED ON THE MACHINE AND IN THIS MANUAL,

to which this declaration refers, complies with stipulation of:

2006/42/EC Machinery Directive

and with the standards:

- **ISO 12100-1:2010** Safety of machinery - General principles for design - Risk assessment and risk reduction
- **ISO 13857:2019** Safety of machinery - Safety distances to prevent hazard zones being reached by upper and lower limbs
- **EN 13684:2018** Garden equipment - Pedestrian controlled law aerators and scarifiers

Zeist, 03-01-2022

A handwritten signature in blue ink, appearing to read 'C.H.G. de Bree', written over a horizontal line.

C.H.G. de Bree

Redexim Handel- en Exploitatie Maatschappij B.V.

UK – DECLARATION OF CONFORMITY



We,

Redexim Handel- en Exploitatie Maatschappij B.V.
Kwekerijweg 8
3709 JA Zeist, The Netherlands

declare that this “UK - DECLARATION OF CONFORMITY” is issued under our sole responsibility and belongs to the following product:

SPEEDSEED WALK BEHIND WITH MACHINE NUMBER AS INDICATED ON THE MACHINE AND IN THIS MANUAL,

to which this declaration refers, complies with stipulation of:

S.I. 2008 No. 1597 HEALTH AND SAFETY The Supply of Machinery (Safety) Regulations 2008

and with the standards:

- **ISO 12100-1:2010** Safety of machinery - General principles for design - Risk assessment and risk reduction
- **ISO 13857:2019** Safety of machinery - Safety distances to prevent hazard zones being reached by upper and lower limbs
- **EN 13684:2018** Garden equipment - Pedestrian controlled law aerators and scarifiers

Zeist, 03-01-2022

A handwritten signature in blue ink, appearing to read 'C.H.G. de Bree'.

C.H.G. de Bree
Redexim Handel- en Exploitatie Maatschappij B.V.

FOREWORD



Congratulations with the purchase of your Speedseed Walk Behind. To ensure long and safe use of this Speedseed Walk Behind, it is of major importance to all users to read and understand this user manual.

Operation of this machine is not safe without full knowledge of the content of the manual.

The Speedseed Walk Behind is not an independently operating machine. The user is responsible for using the appropriate tractor. The user must also check the tractor/ Speedseed Walk Behind combination for safety aspects, such as noise level, adequate user instructions and any risks.

The Speedseed Walk Behind is solely intended for use on lawns and other areas where grass could grow.

On the next page you will first find the general safety instructions. Every user must know and apply them. After this, a registration card is included. This card should be returned for handling any future claims.

This user manual offers many instructions numbered in sequence. This sequence should be observed. An asterisk  indicates a safety instruction. An  indicates a tip and/or note.

All information and technical specifications provided at the moment that this document is published are the most recent ones. Design specifications may be changed without prior notice.

This document is a translation of the original operating instructions. Upon request, the original operating instructions are available in Dutch.

GUARANTEE CONDITIONS

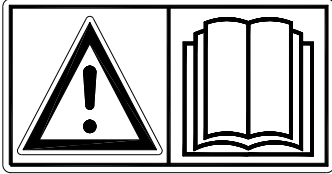
THIS SPEEDSEED WALK BEHIND COMES WITH A GUARANTEE FOR DEFECTIVE MATERIALS. THIS GUARANTEE IS VALID FOR A PERIOD OF 12 MONTHS FROM THE PURCHASING DATE. SPEEDSEED WALK BEHIND GUARANTEES ARE SUBJECT TO THE "GENERAL CONDITIONS FOR SUPPLY OF PLANT AND MACHINERY FOR EXPORT, NUMBER 188", PUBLISHED UNDER THE AUSPICES OF THE UNITED NATIONS ECONOMIC COMMISSION FOR EUROPE.

REGISTRATION CARD

For your own information, please complete the table below:

Serial number of machine	
Dealer name	
Purchasing date	
Remarks	

! SAFETY INSTRUCTIONS !

 <p>Fig. 1</p>	<p>The design of the Speedseed Walk Behind allows for safe use. However, this is only possible if the user fully observes the safety instructions given in this manual.</p> <p>Read and understand (Fig. 1) the manual before starting to use the Speedseed Walk Behind. Not using the machine as described in the manual may lead to injury and/or damage to the Speedseed Walk Behind.</p>
---	---

- (1) The Speedseed Walk Behind is solely intended for tilling lawns or areas where grass should grow.

Any other use is considered to be incorrect use. The manufacturer does not accept any liability with regard to damage resulting from incorrect use; all resulting risks are the responsibility of the user.

Correct use also includes following the manufacturer's instructions for use, maintenance and repair.

Before using the Speedseed Walk Behind, inspect the area to be treated. Remove any loose obstacles and avoid irregularities.

- (2) The Speedseed Walk Behind was constructed according to the latest technological knowledge and is safe to use.

Improper use, maintenance or repair of the machine may result in injury to both the user and others. **This should be avoided!**

- (3) All persons whom the owner assigns to operate, maintain or repair the Speedseed Walk Behind must read and completely understand the operating manual and in particular the **Safety Instructions** section.

The user is responsible for a **safe Speedseed Walk Behind combination. This unit must be tested** in terms of noise, safety and ease-of-use. In addition, user's instructions must be prepared.

- (4) Before using the Speedseed Walk Behind, the user is **obliged** to inspect it for **visible damage and defects**.

Any changes of the Speedseed Walk Behind (including its functioning) that may affect its safety must be corrected immediately.

For safety reasons it is in principle forbidden to make changes in or additions to the Speedseed Walk Behind (with the exception of those approved by the manufacturer).

If any **modifications** have been made to the Speedseed Walk Behind, the present CE certificate becomes null and void and the person who made the modifications should **himself** make sure a new **CE certificate** is granted.

Inspect the Speedseed Walk Behind for loose bolts/nuts/parts before each use. If present, inspect the hydraulic hoses regularly and replace them if they are damaged or show signs of wear. The replacement hoses must meet the manufacturer's technical specifications.

Always relieve the pressure from the hydraulic installation, if present, before carrying out any work on it.

NEVER use de Speedseed Walk Behind when protective covers and safety stickers are missing.

NEVER crawl under the Speedseed Walk Behind.
Tilt the Overseeder if you need to have access to the bottom.

When carrying out maintenance activities, adjustments or repairs make sure the Speedseed Walk Behind is locked to prevent it from sinking/riding/sliding away.

When carrying out any maintenance activities, adjustments or repairs, **always switch off the engine first and, if present, remove the key from the ignition**(Fig. 2).

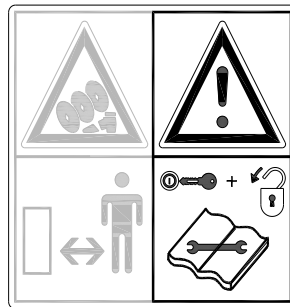


Fig. 2

When carrying out any maintenance or repair activities, make sure to use original Speedseed Walk Behind parts only. This will ensure safety for the machine and its user.

Only authorised technical personnel may carry out adjustments and repairs to the Overseeder.

Keep an overview of repairs.

- (5) In addition to the instructions in this user manual, the generally applicable regulations with respect to safety and working conditions must be observed.

For use on public roads the relevant traffic rules also apply.

Transporting persons is not permitted!

Do not use the Speedseed Walk Behind when it is dark, during heavy rain/storms or on slopes with a gradient of more than 20 degrees.

- (6) Before starting to work, all persons operating the Speedseed Walk Behind must be familiar with all its functions and controls.

Before driving off, make sure you have a clear view both nearby and far away.

On both sides of the Speedseed Walk Behind, safety stickers (Fig. 3, 4, 5) have been applied to the sideboards and to the back cover (Fig. 6) showing these warnings. Make sure these safety stickers are always clearly visible and legible. Replace them if they are damaged.

During operation, make sure there are **NO persons in the danger area** of the Speedseed Walk Behind to prevent them from getting injured by moving parts (Fig. 3).

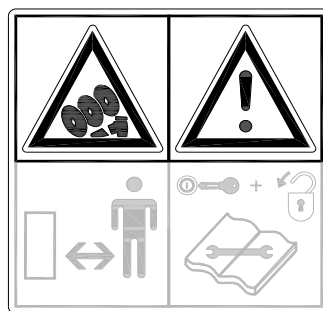


fig.3

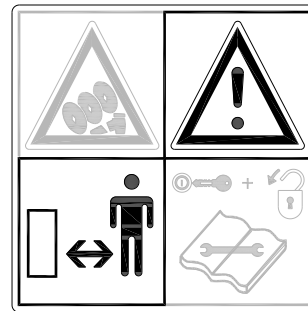


fig.4

Keep a distance of at least 4 metres! (Fig. 4)

Dress appropriately. Wear sturdy shoes with steel toecaps, long trousers and tie up long hair. Do not wear loose clothing.

Use the proper personal protection gear according to the applicable health & safety (Dutch acronym: ARBO) and safety regulations.



Fig. 5
Fig.5

Use certified ear protection when using the machine! (Figure 5)

(7) Location of safety stickers (Fig. 6).

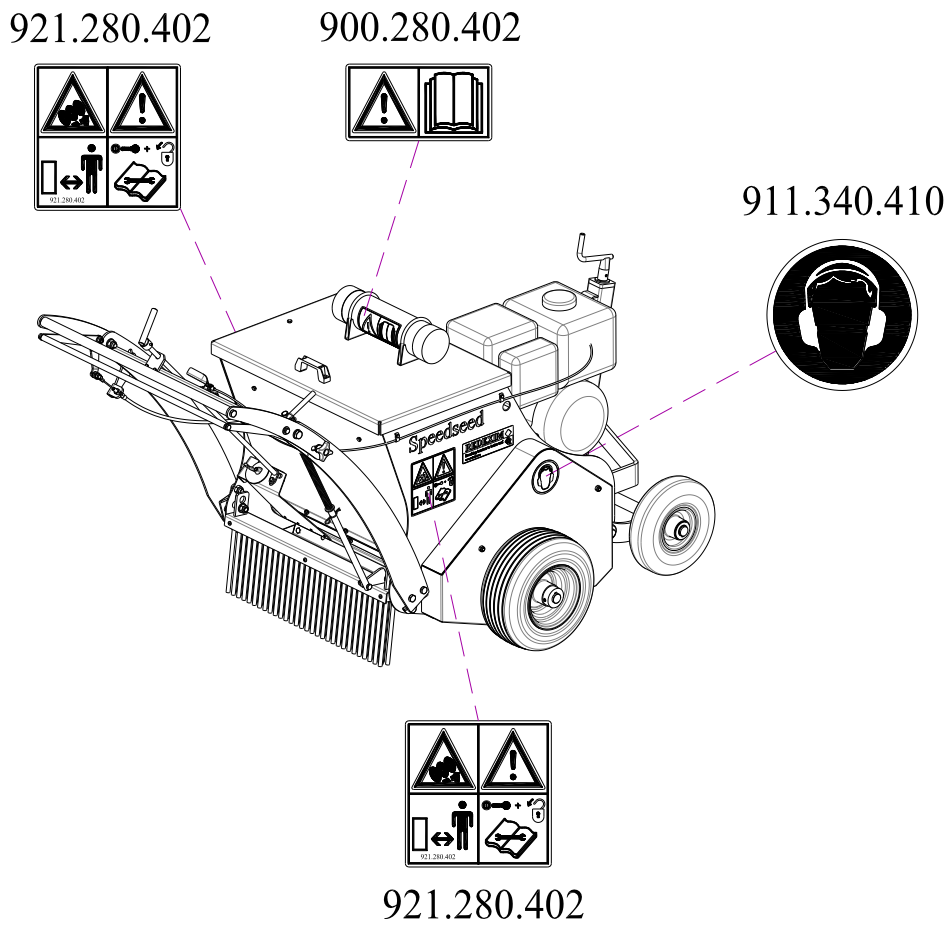


Fig. 6

TABLE OF CONTENTS

EU – DECLARATION OF CONFORMITY	2
UK – DECLARATION OF CONFORMITY	3
FOREWORD.....	4
GUARANTEE CONDITIONS.....	4
REGISTRATION CARD	4
! SAFETY INSTRUCTIONS !.....	5
1.0 TECHNICAL DATA.....	10
2.0 GENERAL DESCRIPTION	11
3.0 FIRST INSTALLATION, TAKING THE MACHINE OFF THE PALLET.....	11
4.0 WORKING DEPTH ADJUSTMENT OF THE SPIKE ROLLER	12
5.0 ADJUSTING THE SEED QUANTITY	13
6.0 TRANSPORTING THE ‘SPEEDSEED WALK BEHIND’	14
7.0 GENERAL REMARKS FOR USING THE ‘SPEEDSEED WALK BEHIND’	14
8.0 USING THE ‘SPEEDSEED WALK BEHIND’	14
9.0 START/STOP PROCEDURE.....	15
10.0 TROUBLE SHOOTING (PROBLEM ANALYSIS)	17
11.0 MAINTENANCE.....	18
11.1 ADJUSTING THE TENSION OF THE CHAIN.....	19

1.0 TECHNICAL DATA

Model	Speedseed Walk Behind
Working width	600 mm (23.6")
Working depth	5 mm -20 mm (0.2" - 0.8")
Sowing speed	Max. 5 km/h (3.1 mph)
Weight	210 kg (463 lbs)
Sow hole distance	Square 30 mm (1.18")
Number of holes per m ²	990
Motor	Briggs and Stratton 6.5 Hp
Rear axle	Differential axle
Contents of seed container	75 l. (2.6 cu.ft.)
Maximum capacity Theoretical capacity at a speed of maximum 5 km/h (3.1 mph) and a single passage)	3000 m ² (32292 ft ²)
Sowing density per 100m ² (1076.4 ft ²)	Fine seed: 0.2 -2.8 kg (0.44 – 6.17 lbs) Coarse seed: 0.2 – 4 kg (0.44 – 8.82 lbs.)
Transport dimensions	L x W x H 1500 x 1100 x 900 mm 59" x 43,3" x 35.4"
Motor oil	SAE 30
Tyre pressure	1 – 2 Bar (14.5 – 29 psi)
Standard components	Manual Seed tray
Noise emissions * (A-weighted measurement in accordance ISO 4781 and EN 13684: 2004 + A3: 2010)	A-weighted emission sound pressure level L_{pAd} measured in working position re. 20 μ Pa: 91 dB Uncertainty K_{pA} : 2 dB
	A-weighted sound power level measured in working position L_{WA} re. 1pW: 99 dB Uncertainty K_{WA} : 2 dB
Emission of hand-arm vibration * (Measurement according to EN 12069 and EN 13684: 2004 + A3: 2010)	Hand-arm-Vibration a_{hv} : 1.4 m/s ² Uncertainty K: 0.2 m/s ²

*Remark: emission values for both sound and vibrations are determined under reference conditions as described in EN 13684. In practice the emission (or better: the partial exposure) maybe different due to specific conditions and circumstances. Emission data are primarily intended for comparison between different machines and may be used as an indication for partial exposure, but with limited validity.

2.0 GENERAL DESCRIPTION

The 'Speedseed Walk Behind' is a continuous sowing machine that is used in all grass field applications. The machine is equipped with a spike roller and a brush at the rear of the machine.

3.0 FIRST INSTALLATION, TAKING THE MACHINE OFF THE PALLET

The 'Speedseed Walk Behind' comes horizontal on a pallet (1), partially disassembled. Before the machine can be taken off the pallet, first assemble the operating handle bar (2), cables (3) and the operating rods for the brush (4) and the seed feeder (5). Please refer to the parts manual for the correct assembly.

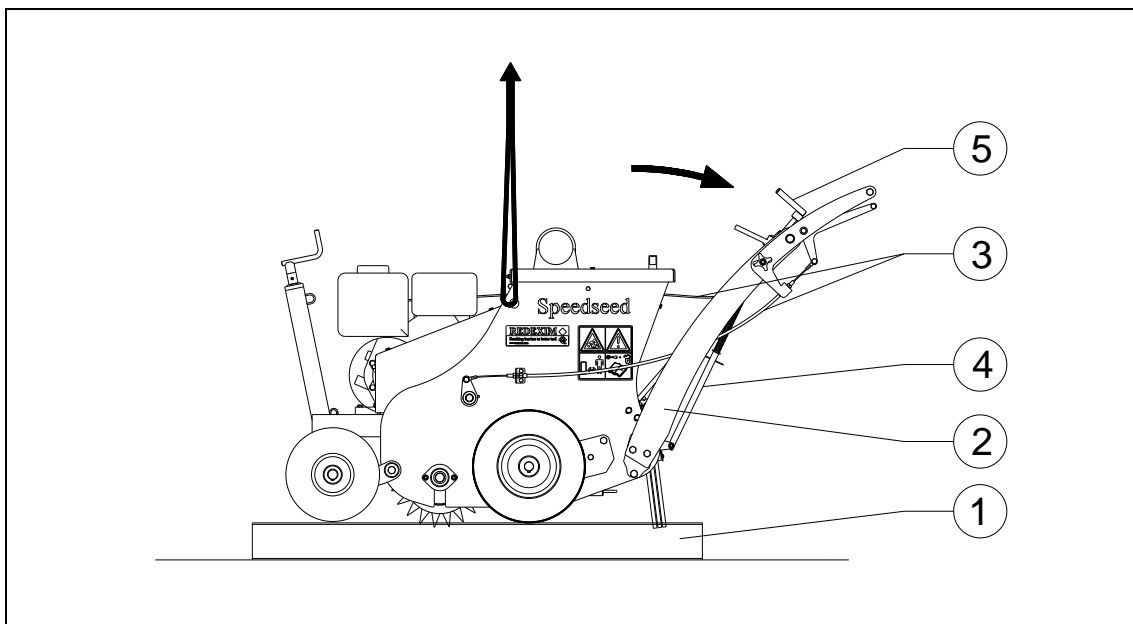


Figure 7

To remove the pallet and to place the machine horizontally on the ground, take the following steps (see Figure 7):



!! NEVER crawl under the machine !!

1. Attach cables to both sides of the machine in the frame's appropriate holes.



Make sure that the cable/crane/lift can hoist minimum 400 kg (880 lbs).

2. Lift the machine off the pallet (1).
3. Pull the pallet (1) from under the machine.
4. Lower the machine controlled and calmly until it stands completely on the ground.



!! Careful: Keep your distance; the machine can slide !!

5. Check the level of the motor oil. If needed, top it up.
6. Fill the fuel tank.



!! Make sure that the 'Speedseed Walk Behind' is blocked well and cannot move on its own accord !!

4.0 WORKING DEPTH ADJUSTMENT OF THE SPIKE ROLLER

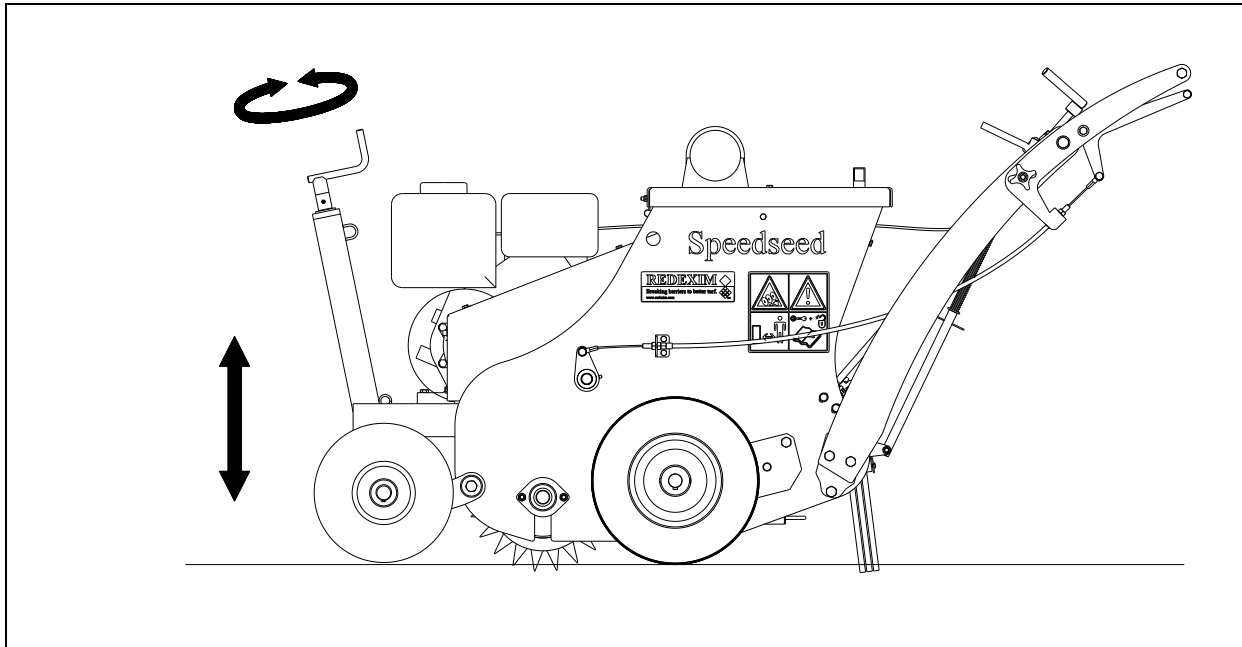


Figure 8

The working depth of the spike roller can be adjusted at the front of the machine by turning the spindle.

The procedure is as follows (see Figure 8):



!! Make sure that the 'Speedseed Walk Behind' is blocked well and cannot move on its own accord !!



!! Switch off the 'Speedseed Walk Behind' before making adjustments !!

1. Unlock the spindle.
2. Turn the spindle until the correct position has been reached.
3. Lock the spindle.

NEVER adjust the machine in such a way that it could damage the subsoil.

! IMPORTANT !

First check the working depth on the subsoil statically *before* using the machine!

5.0 ADJUSTING THE SEED QUANTITY

The seed quantity can be adjusted at the rear of the machine (see Figure 9).

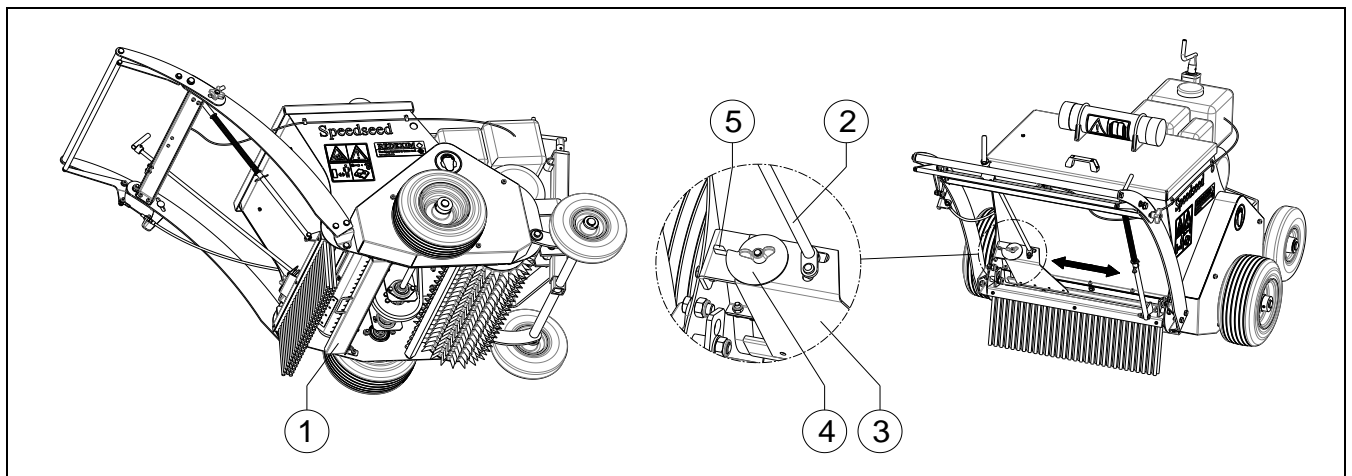


Figure 9

To obtain the correct quantity of seed, take the following steps (see Figure 9):

- ⚠ **!! Make sure that the 'Speedseed Walk Behind' is blocked well and cannot move on its own accord !!**
- ⚠ **!! Switch off the 'Speedseed Walk Behind' before making adjustments !!**

1. Put the supplied tray (1) under the seed output opening at the bottom of the machine.
2. Turn the handle (2) in order to move the slide (3) back and forth.
3. Loosen the wing nut of the dose-measuring disk (4).
4. Turn the dose-measuring disk (4) and set the required value according to the indication on the dose-measuring disk.
5. Tighten the wing nut of the dose-measuring disk (4).
6. Turn the handle (2) until the dose-measuring disk rests completely against the stopper (5).
7. Subsequently, test whether you have the required quantity of seeds. In order to test this, take the following steps:
Go 10 metres forward and then stop the machine. Multiply the quantity of seed on the tray (1) by 16.6 in order to calculate the quantity per 100m² / 1000ft².

If necessary, repeat the aforementioned steps to obtain the correct quantity of seed.

Table 1 shows a guideline per 100m² / 1000ft².

Value	Bentgrass		Kentucky Bluegrass		Ryegrass	
	kg/100m ²	lbs/1000ft ²	kg/100m ²	lbs/1000ft ²	kg/100m ²	lbs/1000ft ²
0						
10						
20						
30						
40						
50						
60						
70						
80						

Table 1

In practice, the quantities shown in Table 1 can vary slightly due to different conditions in which you measure and/or work.

6.0 TRANSPORTING THE 'SPEEDSEED WALK BEHIND'

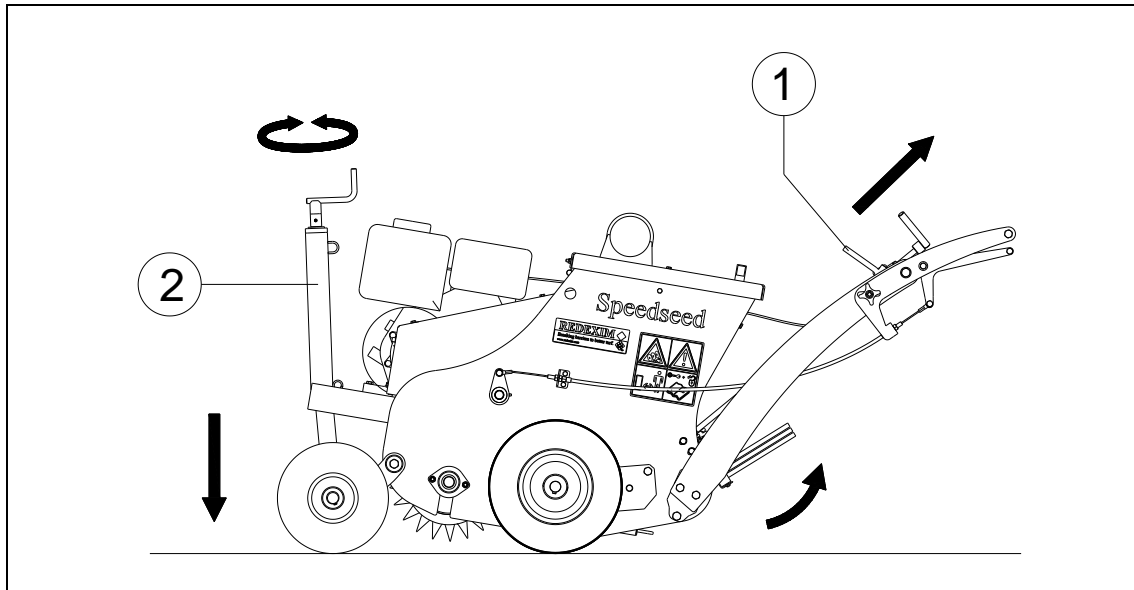




Figure 10

Transporting the machine is done as follows (see Figure 10):

-  **!! Make sure that the 'Speedseed Walk Behind' is blocked well and cannot move on its own accord !!**
-  **!! Switch off the 'Speedseed Walk Behind' before making adjustments !!**

1. Lift the handle (1) of the brush at the rear of the machine so that the brush is raised.
2. Turn the spindle (2) at the front of the machine so that the machine tilts backward and the spike roller gets off the ground.

7.0 GENERAL REMARKS FOR USING THE 'SPEEDSEED WALK BEHIND'

The following are some general remarks/tips for using the 'Speedseed Walk Behind':

- A field can be worked two or three times in different directions in order to obtain a higher sowing density.
- Do not make sharp turns.
- If a hard object gets into the bottom of the machine, it could cause burrs or damage to the spike component. Try to file these burrs off or replace the spike component.

8.0 USING THE 'SPEEDSEED WALK BEHIND'

Before using the 'Speedseed Walk Behind' in a location, you should check the following items:

1. Are there loose objects in the field? First remove these objects.
2. Are there slopes? The maximum slope is 20 degrees for this machine. Always go from top to bottom.

3. Is there danger of flying objects (e.g., balls) that distract the attention of the driver? If so, the 'Speedseed Walk Behind' can **NOT** be used.
4. Are there hard objects in the ground? If so, use the 'Speedseed Walk Behind' with a low speed and adjust the working depth.
5. Is there danger of sinking/sliding away? If so, postpone the processing until conditions improve.
6. If the soil is wet, postpone the activities until conditions improve.
7. A field can be worked several times in the same or different directions in order to obtain better cleaning.

9.0 START/STOP PROCEDURE

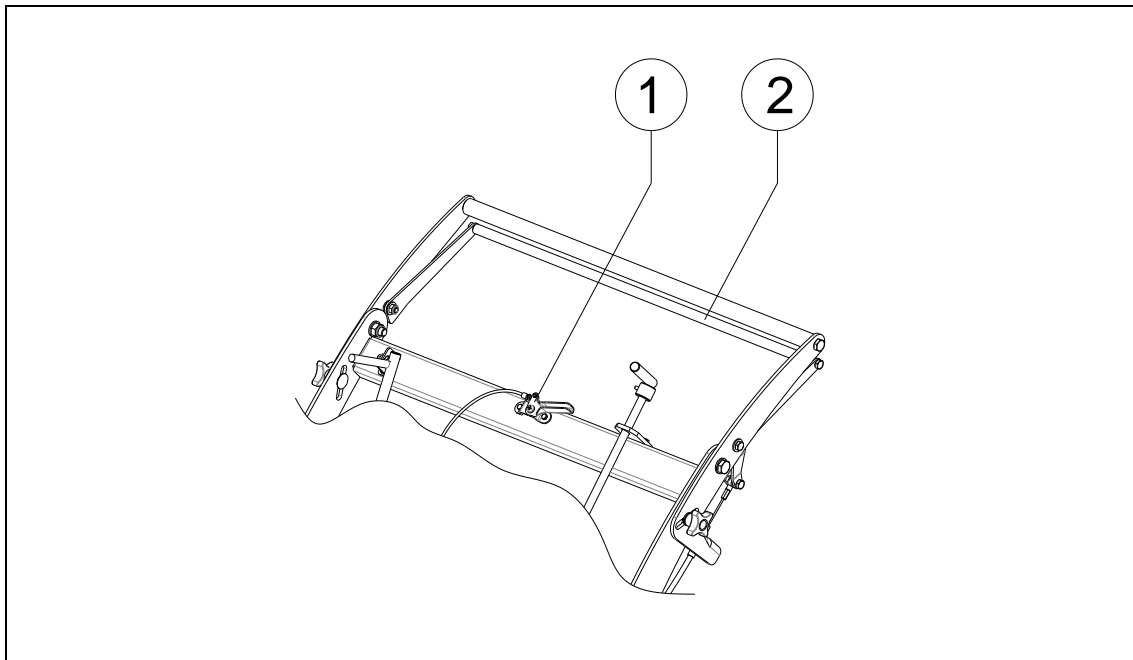


Figure 11

Before starting to sow, it is recommended to check the following items of the machine:

- ⚠ **!! Make sure that the 'Speedseed Walk Behind' is blocked well and cannot move on its own accord !!**
- ⚠ **!! Switch off the 'Speedseed Walk Behind' *before* making adjustments !!**
 - Check for damage to the sowing elements and if needed, repair this damage.
 - Check whether the drive runs smoothly.
 - Check the tyre pressure.

STARTING TO SOW

The start procedure is VERY important. If this procedure is not executed as described below, it might result in serious damage to the machine. The procedure is as follows: (see Figure 11)

1. Put seeds in the seed container.
2. Set the required seed quantity using the dose-measuring unit (see Chapter 5.0).
3. Move to the location where you want to start.
4. Set the working depth (see Chapter 4.0).

- ⚠ **!! Wear the proper personal protection gear !!**

5. Start the motor with a low number of revolutions.
(Please refer to the supplied manual for the start procedure of the motor.)
6. Operate the machine by pulling the handle for driving (1) towards the handle bar.
7. Push the accelerator handle (2) downwards; start with a speed of approx. 3 km/h (1.9 mph).
8. It is possible to increase the speed by pushing the accelerator handle further downwards.



!! Let the machine determine the speed. Do not push or slow down the machine in order to avoid damage to the machine and/or lawn !!

STOPPING TO SOW

1. Pull the accelerator handle (2) upwards and decrease the speed to approx. 3 km/h (1.9 mph).
2. Let go of the handle for driving (1). The drive is interrupted and the machine will stop.
3. Pull the accelerator handle (2) completely upwards so that the engine will run with low revs.
4. Go to the next location and start again as described above. Or turn the engine off.



!! It is absolutely vital to work according to the aforementioned procedures !!

10.0 TROUBLE SHOOTING (PROBLEM ANALYSIS)

Problem	Possible cause	Solution
Spilling seed from the seed container	Seed output opening is too large. There is a leak at the side of the base plate of the sowing slot.	Readjust the seed output opening. Tape up / glue together
Machine does not reach its working depth.	Subsoil is too hard. Too much felt in the top layer of the field Too little weight	Aerate / sprinkle Remove the felt Put extra weight
Squeaking noises during the machine's operation	Bearings are worn out.	Replace the bearings
Machine does not move.	V-belts are slipping. V-belts are burnt. Defect in the mechanical drive line	Span the V-belts and/or adjust the idler tension pulley. Replace the V-belts. Repair and/or replace the parts.

11.0 MAINTENANCE

Time schedule	Check/Grease point	Method
Before every use	<ul style="list-style-type: none"> - Check for loose bolts / nuts. - Presence and readability of the safety stickers (Figure 6) 	<ul style="list-style-type: none"> - Tighten loose bolts / nuts with the correct tightening moment. - Replace these if not present or damaged.
After the first 20 working hours (new or repaired)	<ul style="list-style-type: none"> - Check the roller bearings and the driveline. - Check for loose bolts / nuts. - Check the play of the chains. 	<ul style="list-style-type: none"> - If required, replace the parts. - Tighten loose bolts / nuts with the correct tightening moment. - If necessary, adjust the play of the chains. (see Section 12.1)
After every 100 working hours or annually	<ul style="list-style-type: none"> - Check the roller bearings and the driveline. - Check for loose bolts / nuts. - Check the play of the chain in the driveline. - Check the wear of the V-belts. - Check the wear of the brush. - Grease the drive chain. 	<ul style="list-style-type: none"> - If required, replace the worn parts. - Tighten loose bolts / nuts with the correct tightening moment. - If necessary, adjust the tension of the chain or – if required – replace the chain. - If necessary, replace the V-belts. - If necessary, replace the brush. - Use an universal chain grease.



Please refer to the supplied manual of the motor for maintenance of the motor!!

11.1 ADJUSTING THE TENSION OF THE CHAIN

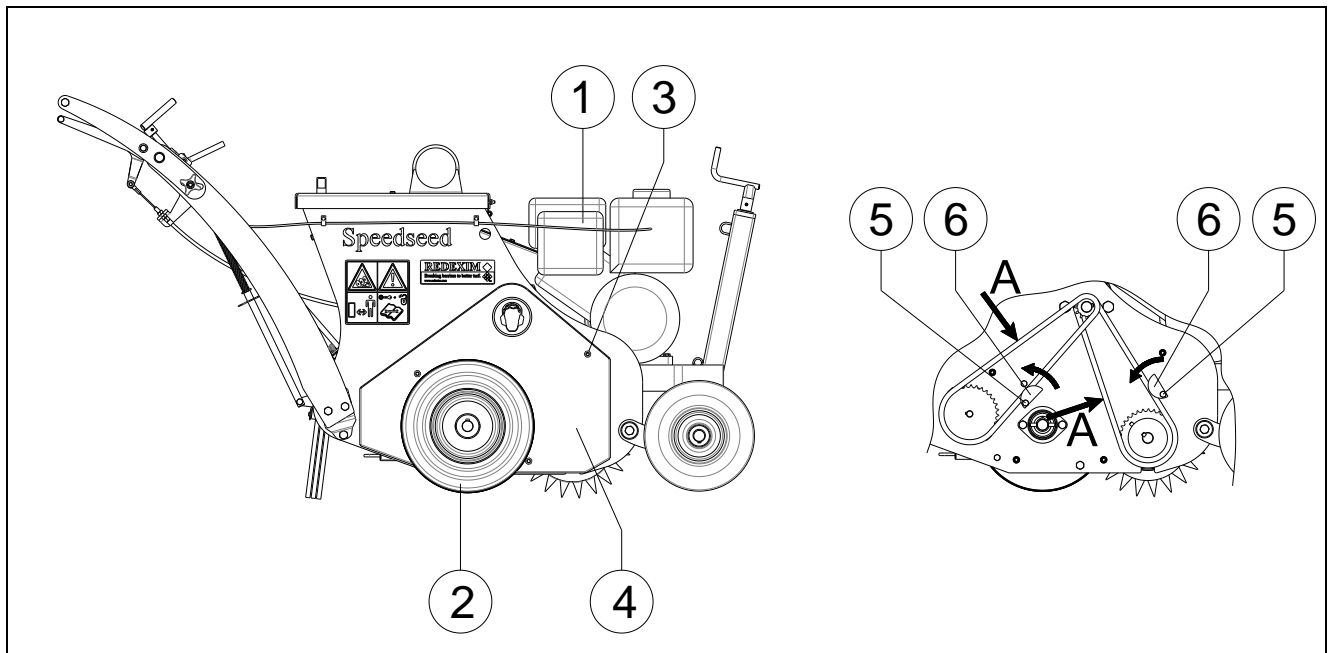




Figure 12

The 'Speedseed Walk Behind' is equipped with adjustable tension pulleys that keep the tension on the chain.

Depending on the intensity of using the machine, the driveline could be affected by wear and tear.

This can result in the release of the chain; the chain will begin to flap. Retensioning is then required.

Adjusting the tension pulleys is done as follows (see Figure 12):

-  **!! Make sure that the 'Speedseed Walk Behind' is blocked well and cannot move on its own accord !!**
-  **!! Switch off the 'Speedseed Walk Behind' before continuing !!**

1. Remove the wheel (2).
2. Remove all nuts (3) and the safety cap (4).
3. Loosen the bolt (5) slightly so that the tension is just off.
4. Adjust the tension pulley (6) until the correct tension has been reached.
5. Check the tension of the chain by pulling at point A. The play should be 10 mm (0.6") to 20 mm (0.8").
6. Tighten the bolt (5).
7. Return the safety cap (4) to its location and mount all nuts (3).
8. Reattach the wheel (2).