

OVERSEEDER 3D ***1275-1575-2075***



Translation of the original user manual



2244 English 922.120.204 EN



Kwekerijweg 8 | 3709JA | Zeist | The Netherlands |
T: +31 (0)306 933 227
E: redexim@redexim.com
W: www.redexim.com

EU – DECLARATION OF CONFORMITY



We,

Redexim Handel- en Exploitatie Maatschappij B.V.
Kwekerijweg 8
3709 JA Zeist, The Netherlands

declare that this “EU - DECLARATION OF CONFORMITY” is issued under our sole responsibility and belongs to the following product:

OVERSEEDER WITH MACHINE NUMBER AS INDICATED ON THE MACHINE AND IN THIS MANUAL,

to which this declaration refers, complies with stipulation of:

2006/42/EC Machinery Directive

and with the standards:

- **ISO 12100-1:2010** Safety of machinery - General principles for design - Risk assessment and risk reduction
- **ISO 13857:2019** Safety of machinery - Safety distances to prevent hazard zones being reached by upper and lower limbs
- **ISO 4254-1:2015** Agricultural machinery - Safety - Part 1: General requirements
- **ISO 4254-9:2018** Agricultural machinery - Safety - Part 9: Seed drills

Zeist, 03-01-2022



C.H.G. de Bree
Redexim Handel- en Exploitatie Maatschappij B.V.

UK – DECLARATION OF CONFORMITY



We,

Redexim Handel- en Exploitatie Maatschappij B.V.
Kwekerijweg 8
3709 JA Zeist, The Netherlands

declare that this “UK - DECLARATION OF CONFORMITY” is issued under our sole responsibility and belongs to the following product:

OVERSEEDER WITH MACHINE NUMBER AS INDICATED ON THE MACHINE AND IN THIS MANUAL,

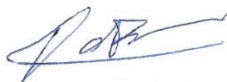
to which this declaration refers, complies with stipulation of:

S.I. 2008 No. 1597 HEALTH AND SAFETY The Supply of Machinery (Safety) Regulations 2008

and with the standards:

- **ISO 12100-1:2010** Safety of machinery - General principles for design - Risk assessment and risk reduction
- **ISO 13857:2019** Safety of machinery - Safety distances to prevent hazard zones being reached by upper and lower limbs
- **ISO 4254-1:2015** Agricultural machinery - Safety - Part 1: General requirements
- **ISO 4254-9:2018** Agricultural machinery - Safety - Part 9: Seed drills

Zeist, 03-01-2022



C.H.G. de Bree

Redexim Handel- en Exploitatie Maatschappij B.V.

FOREWORD

Congratulations on your Overseeder 3D purchase. For safe and long-lasting operation of this machine, it is necessary to read and to understand this user manual. It is impossible to work safely with this machine *without* complete knowledge of the content of the user manual.

This machine does *not* operate independently! It is the user's responsibility to use the correct tractor or other towing vehicle. The user should check the combination of the towing vehicle and the machine with regard to various aspects, such as noise level and safety risks. In addition, the user should comply with the user instructions of the vehicle and spare parts that are used.

All information and technical specifications provided at the moment that this document is published are the most recent ones. Design specifications may be changed without prior notice.

You can contact your sales point or dealer if you have questions and/or if there are ambiguities in this manual or about the machine concerned.

This document is a translation of the original user manual. Upon request, the original user manual is available in Dutch.

WARRANTY CONDITIONS

AT THE TIME OF DELIVERY THIS MACHINE IS GUARANTEED AGAINST MATERIAL DEFECTS.

THIS WARRANTY IS VALID FOR A PERIOD OF 12 MONTHS FROM THE PURCHASE DATE.

REDEXIM WARRANTIES ARE SUBJECT TO THE 'GENERAL CONDITIONS FOR SUPPLY OF PLANT AND MACHINERY FOR EXPORT, NUMBER 188' THAT ARE PUBLISHED UNDER THE AUSPICES OF THE UNITED NATIONS ECONOMIC COMMISSION FOR EUROPE.

REGISTRATION CARD

For your own information, fill in the table below:

Serial number of the machine	
Dealer name	
Date of purchase	
Remarks	

TABLE OF CONTENTS

EU – DECLARATION OF CONFORMITY	2
UK – DECLARATION OF CONFORMITY	3
1. SAFETY INSTRUCTIONS.....	6
1.1 Obligations of the user.....	6
1.2 Maintenance, repairs and adjustments	7
1.3 Using the machine	7
2. TECHNICAL DATA	8
3. GENERAL DESCRIPTION.....	9
4. SAFETY STICKERS	9
5. FIRST INSTALLATION	10
6. ATTACHING AND DETACHING THE MACHINE	11
6.1 Attaching the machine	11
6.2 Detaching the machine	12
7. MACHINE SETTINGS	13
7.1 Adjusting the working depth	13
7.2 Setting the seed-element valves	13
7.3 Setting the quantity of seeds using the gearbox	13
7.4 Dispensing test	14
7.5 Setting the digital surface meter	18
8. TRANSPORT	18
9. PUTTING THE MACHINE INTO OPERATION.....	19
9.1 Safety	19
9.2 Working speed	19
9.3 General remarks for using the Overseeder 3D	19
9.4 Start / stop procedure	19
10. MAINTENANCE	22
10.1 Lubrication points.....	22
11. TROUBLE SHOOTING (PROBLEM ANALYSIS)	23
12. OPTIONS.....	24
12.1 Weight kit.....	24
12.2 Bogy kit.....	25


1. SAFETY INSTRUCTIONS

This machine is designed for safe use. This can only be achieved if you completely follow the safety instructions described in this manual.

Read and understand the manual *before* you start using this machine.

If the machine is not used as described in this manual, this can result in injuries and/or damage to the machine.

This user manual lists instructions that are numbered in sequence. You should follow this sequence. A

 is an indication of a safety instruction. A  means a tip and/or note.

1.1 Obligations of the user

The machine is solely intended for work on grass fields or areas where grass can grow. Any other use is improper. The manufacturer will not accept any liability for damage resulting from improper use. All risks occurring with this are entirely at the expense of the user.

All persons assigned to operate, maintain and repair the **machine** by the owner must completely read and understand the operation manual and in particular the chapter of **Safety Instructions**.

Modifications to the machine that have a negative impact on the safety must be rectified immediately.

The user is obliged to check the machine for visible damage and defects before using the machine.

For safety reasons it is not permitted to make changes or adjustments to the machine (except those approved by the manufacturer). If modifications to the machine have been made, then the current CE/UKCA marking is cancelled. The person that has made these modifications has to apply for a new CE/UKCA marking himself.

Following the use, maintenance and repair instructions prescribed by the manufacturer is also considered proper use of this machine.

The user is responsible for the safe combination of the machine and the towing vehicle, which comply with the requirements as described in the Technical Data (see Chapter 2). This entire combination should be tested for noise, safety, risk and user friendliness. User instructions should also be drafted.

Dress appropriately during work activities with the machine. Wear sturdy shoes with steel toecaps, long trousers and tie up long hair. Do not wear loose clothing.

The general applicable health & safety (Dutch: ARBO) regulations must also be followed in addition to the instructions in this user manual.

Relevant traffic regulations also apply in case of using public roads.

1.2 Maintenance, repairs and adjustments

Keep a record of the repair activities.

When unskilled people use, maintain or repair the machine, this could result in injuries to the user *and* to third parties. This should be avoided!

Use only original Redexim parts for maintenance or repairs because of the safety of the machine *and* of the user.

Only authorised technical personnel may carry out repairs to the machine.

When carrying out maintenance, adjustments and repairs, it is necessary to block the machine in order to prevent it from sinking away, driving off *and/or* sliding off.

If a hydraulic installation is present, you should **always** make it pressure-free *before* working on this installation.

Used oil / grease is harmful to the environment. Dispose of these substances according to the regulations that apply in your location.

1.3 Using the machine

Attach the machine to the towing vehicle according to the regulations. Pay close attention to the risk of injury!

Never use the machine in the absence of protective guards and safety stickers.

Check the machine for loose bolts, nuts and components *before* every operation.

Check whether you have a clear field of vision – both close by and far away – *before* you start moving.

All persons that are going to operate the machine must be familiar with all the functions and control elements of the machine *before* starting any work activities.

NEVER crawl under the machine! Kantel, indien noodzakelijk, de machine om aan de onderkant te werken.

If present, check the hydraulic hoses regularly and replace these when the hydraulic hoses are damaged or appear old.

2. TECHNICAL DATA

Model	1275	1575 / 1575LV	2075
Working width	1.20 m (47.2")	1.58 m (62.2")	2.1 m (82.7")
Working depth	5mm-20mm (0.19"-0.78")		
Sowing speed	Max. 12 km/h (7.5 mph)		
Weight	698 kg (1539 lbs)	1184 kg (2610 lbs) <i>832 kg (1834 lbs)</i>	1518 kg (3347 lbs)
Driving distance when sowing	75 mm (2.9")		
Number of cutting elements	16	21	28
Recommended tractor	30 hp with a minimum lifting capacity of 698 kg (1539 lbs) at 620 mm (24.4") behind the lifting eyes	40 hp with a minimum lifting capacity of 1184 kg (2610 lbs) / <i>832 kg (1834 lbs)</i> at 620 mm (24.4") behind the lifting eyes	50 hp with a minimum lifting capacity of 1518 kg (3347 lbs) at 620 mm (24.4") behind the lifting eyes
Contents of seed container	212 litres (7.5 cu. ft.)	276 litres (9.7 cu. ft.)	367 litres (13.0 cu. Ft.)
Maximum capacity (Theoretical at maximum speed of 12 km/h [7.5mph] and a single pass.)	14400 m ² /hour (155000 ft ² /hour)	18900 m ² /hour (203438 ft ² /hour)	25200 m ² /hour (271250 ft ² /hour)
Transport dimensions	L x W x H 1,540x1,124x1,353 mm (60.6" x 44.3" x 53.3")	L x W x H 1,925x1,124x1,353 mm (75.8" x 44.3" x 53.3")	L x W x H 2,440x1,124x1,353 mm (96.1" x 44.3" x 53.3")
Three-point connection	3-point CAT. 1-2		
Grease	EP 2		
Tyre pressure	1 – 2 Bar (14.5 - 29 Psi)		
Standard components	Rear roller including a scraper that can be filled with water Continuously variable gearbox Integrated seed dispensing bin Cylinder for the manual Seed bin including a viewing window Terrain-following sowing wheel Cutting elements that do not depend on following the terrain Adjustable legs for storage		
Gearbox lubrication	Depending on gearbox, see parts manual for details.		

3. GENERAL DESCRIPTION

The Overseeder 3D is a machine for sowing grass areas.

4. SAFETY STICKERS

Safety stickers are located on both sides of the machine (see Figure 1). These safety stickers must always be clearly visible and legible and must be replaced if they have become damaged.

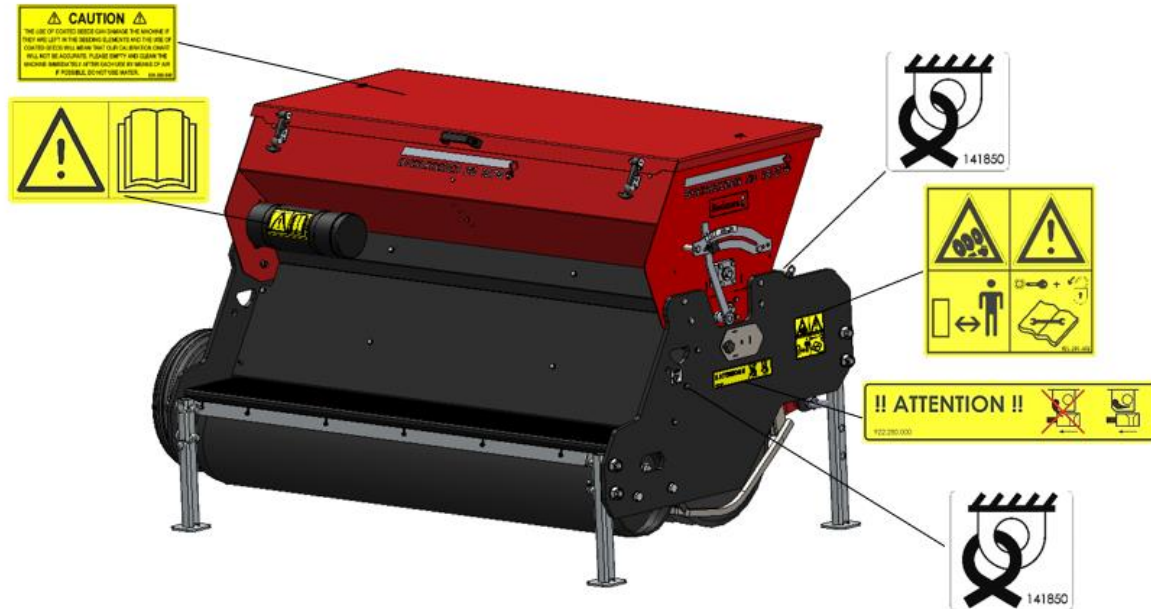







Figure 1

 <p>933.280.402</p>	<ul style="list-style-type: none"> - In case of maintenance, adjustments and repair, always switch OFF the engine of the towing vehicle. - Keep a distance of minimum 4 metres when the machine is used (except for the user). - No persons are allowed in the danger zone of the machine during its operation, because there is the risk of injury caused by rotating parts.
 <p>900.280.402</p>	<ul style="list-style-type: none"> - Prior to using the machine, the operators of the machine must read the user manual carefully.
 <p>922.340.008</p>	<ul style="list-style-type: none"> - Fixation point to secure the machine during transport (e.g., on a trailer)
 <p>922.280.000</p>	<ul style="list-style-type: none"> - Close the seed flap <i>before</i> removing the receptacle. The seed flaps can get damaged if this is not done.
 <p>924.280.000</p>	<ul style="list-style-type: none"> - Contamination of the seeding system can seriously damage the machine. Clean the machine thoroughly after each use, preferably using compressed air, not water.

5. FIRST INSTALLATION

The machine should be prepared for use as follows (see **Figure 2**):

1. Attach cables to the hoisting points (1).



Make sure that the crane and hoisting cable can handle at least the following weights:

Overseeder 3D 1275	1,050 kg (2315 lbs)
Overseeder 3D 1575	1,800 kg (3968 lbs)
Overseeder 3D 1575LV	1250 kg (2756 lbs)
Overseeder 3D 2075	2,300 kg (5071 lbs)

2. Lift the machine including the pallet approx. 5 cm (2") off the ground.
3. Loosen the pallet by removing the lowest 3-point pins (2).
4. Pull the pallet from under the machine.
5. Make sure that all 4 legs are facing downwards (3).
6. Carefully lower the machine until it stands safely on the ground.



KEEP A SAFE DISTANCE. THE MACHINE MAY START TO SLIDE DURING HOISTING!



NEVER CRAWL UNDER THE MACHINE!

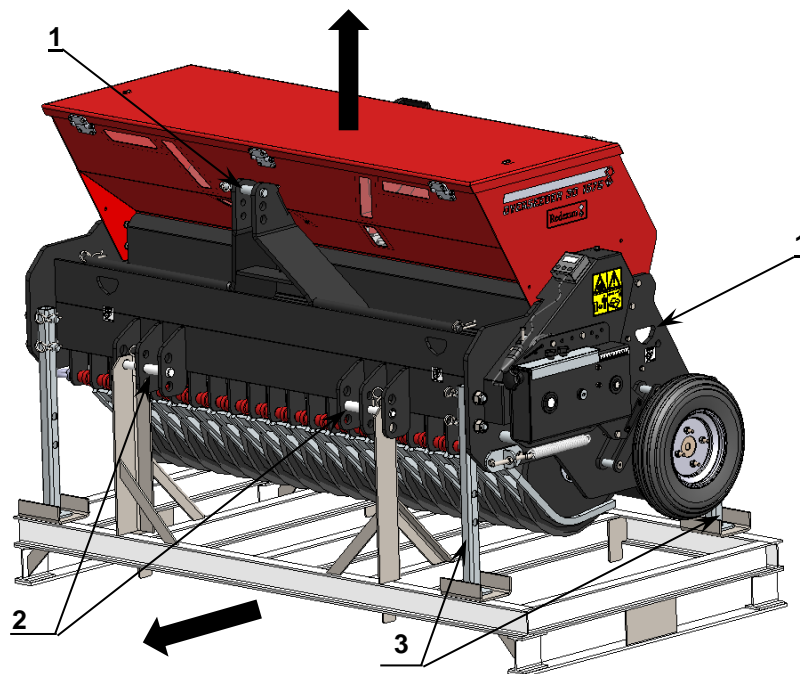


Figure 2

6. ATTACHING AND DETACHING THE MACHINE

Attaching and detaching the machine has to be done carefully. Follow the instructions below:

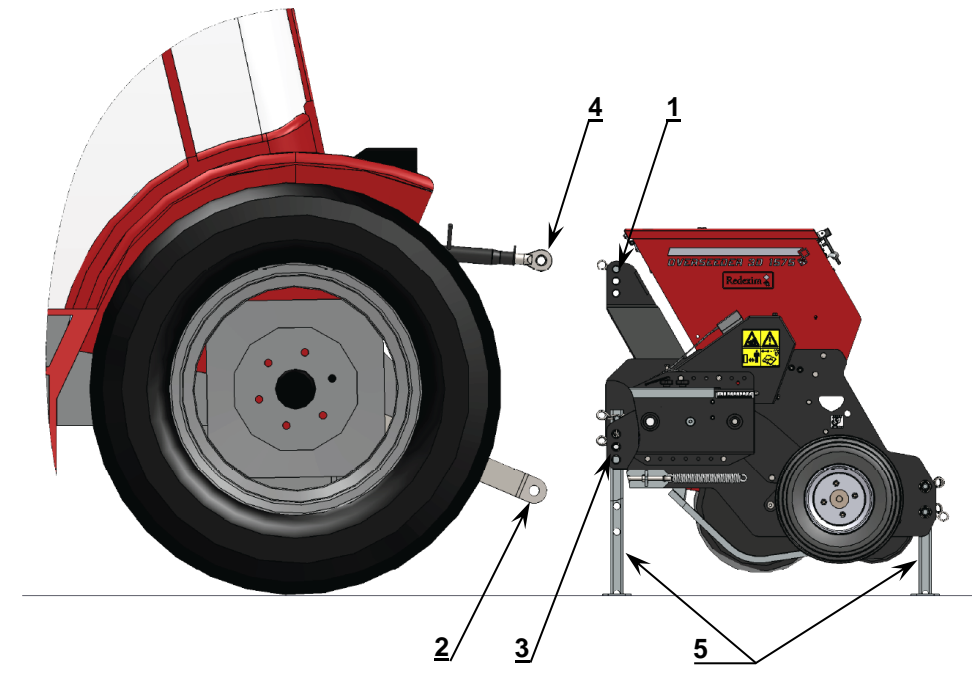


Figure 3

6.1 Attaching the machine

Prior to attaching the machine, check the following points:

- Check whether the machine is undamaged and whether it is safe to attach and use the machine.
- Check the machine for unintentionally loose bolts and nuts.
- Check whether all safety stickers are on the machine and whether these are undamaged and easily readable. **Never** use the machine if it has damaged or unreadable stickers.

The machine should be attached to the tractor in the following manner:

1. Remove the upper 3-point pins **(1)** and **(3)** from the machine **(see Figure 3)**.
2. Carefully drive the tractor backwards until the lifting arms **(2)** can be attached to the machine.



!! Make sure that the tractor and the machine cannot move while you are attaching them !!



!! Switch off the tractor engine before attaching the machine !!

3. Attach the lifting arms **(2)** to the machine using the 3-point pins **(3)**. Lock the pins using the R-clips.



Use the highest possible hole, so that the pulling line of the tractor is optimal for pulling the machine into the ground.

4. Set the stabilizer of the lifting arms **(2)** to 100mm lateral stroke.

5. Mount the top rod **(4)** onto the tractor and attach it to the machine using the 3-point pin **(1)**. Lock the pin using the R-clip.
6. Start the tractor and lift the machine off the ground.



!! Make sure that the 3-point pins are locked using the R-clips !!

7. Turn off the machine and rotate the support legs **(5)** upwards onto the machine.



!! Make sure that the tractor cannot move !!

8. Start the tractor and drive to the field that should be treated.
9. While driving, carefully lower the machine into the ground.
10. Turn off the tractor and secure the tractor / Overseeder 3D combination against driving off and/or sliding off.
11. Adjust the top rod in such a manner that the machine is horizontal.

6.2 Detaching the machine

The machine should be detached in the following manner (see **Figure 3**):

1. Place the tractor and the lifted machine on a flat surface.



If the machine is to be parked for an extended period of time, make sure it is in a dry environment.



!! Make sure that the machine and the tractor cannot move while you are detaching them !!



!! Switch off the tractor engine *before* detaching the machine !!

2. Turn off the machine and rotate the machine's support legs **(5)** downwards.
3. Start the tractor and carefully put the machine onto the ground.
4. Turn off the machine, detach the top rod **(4)** and remove it.
5. Loosen the lowest arms **(2)**.



!! The ground must be flat !!

6. Start the tractor and drive off.

7. MACHINE SETTINGS

The Overseeder 3D has several options for setting the machine optimally.

7.1 Adjusting the working depth

The working depth can be adjusted by turning the top rod.

If the top rod is turned, causing it to be shortened, the machine will rotate forward and the result is that the sowing depth is set deeper.

This works if the ground that should be treated is sufficiently soft to be cut.

If the ground is too hard, the machine can also be constructed more heavily by additional weight sets (see Section 12.1) and/or by filling the rear roller with water to obtain the correct sowing depth.



If the rear roller is filled with water, remove it *before* it starts to freeze!

7.2 Setting the seed-element valves

The machine is suitable for sowing different types of seeds. Furthermore, the seeder can also be used in combination with various tractors and you can sow at different speeds. To adjust the machine to the various factors, the machine's sowing installation must be adjusted. The seed elements have a number of functions (see **Figure 4b**):

1. If the seed-element valve is closed, no seeds can flow out of the hopper when the machine is idle (e.g., during transport).
2. To empty the hopper after sowing, the valve (a sowing element) can be opened so that the seeds can run out of the hopper.
3. The seed-element valve can be adjusted according to the size of the seeds that will be sown. In case of fine grass seed, the element valve must be closed completely. Then the gear wheel grabs the seeds. In the case of larger seeds, the space between the gear wheel and the valve is not large enough to let the seeds pass. Therefore, the valve needs to be opened more for larger seeds. Adjusting the size of the opening can be done using the valve adjustment handle. The handle can be adjusted by loosening the stellar knob (1), selecting the required position by means of the indication sticker (2), and retightening the stellar knob (see **Figure 4a**).

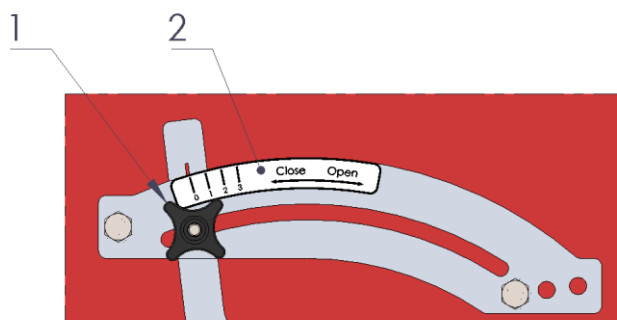


Figure 4a

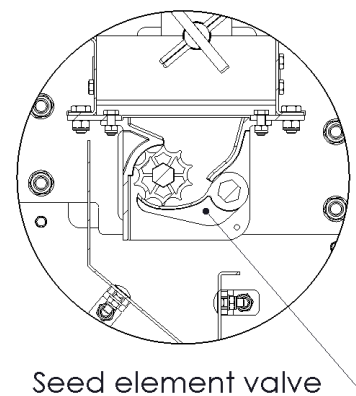


Figure 4b

7.3 Setting the quantity of seeds using the gearbox

By affecting the setting of the seed elements, the delivery of seeds can be set to additional or fewer seeds. Each seed element contains a rotor that transports the seeds. By affecting the speed of the rotors, the quantity of seeds can be adjusted. The gearbox can continuously variable adjust the speed. Do the following to adjust the quantity of the seeds:

1. Loosen the stellar knobs (1) (see **Figure 5**).
2. Rotate the stellar knob (2) to change the settings. You can see the settings on the sticker (3).
3. Retighten the stellar knobs (1).

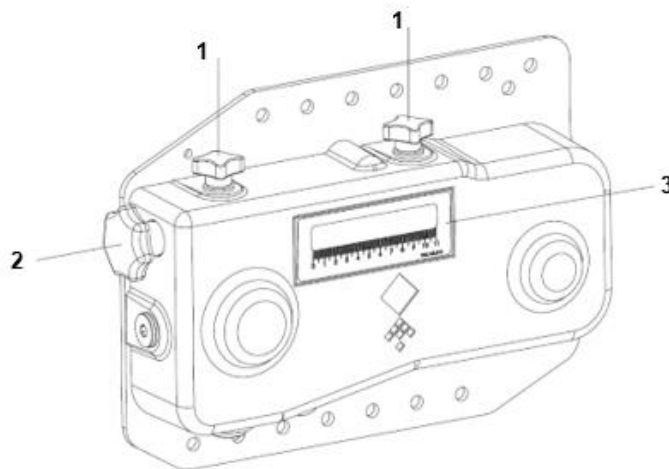


Figure 5

7.4 Dispensing test

The quantity of seeds should be adjusted for the correct operation of the Overseeder 3D. See the Tables 1, 2 and 3 for an indication of the required quantity.

You should consider the following instructions for this:



!! Make sure that the Overseeder 3D is standing on its legs and is detached from the tractor (see Section 6.2) !!

You will need the following accessories for adjusting the quantity of seeds:

1. A scale
2. A tray for weighing the seeds
3. Enough seeds for filling the hopper for minimum 30%

The procedure is as follows (see **Figure 6**):

1. Set the flap of the seed-element valves (4) to 0.
2. Fill the hopper with seeds and make sure that these are evenly spread throughout the hopper.
3. Loosen the stellar knob (1) and slide the seed dispensing bin (2) out of the machine.
4. Rotate the seed dispensing bin 90° and slide it back into the machine.
5. Turn the wheel (3) 13 rotations counter-clockwise.
6. Remove the seed dispensing bin (2) out of the machine and collect the seed in a tray.
7. Weigh the seeds in:

Kilograms and multiply the result by: Overseeder 3D 1275: 513 Overseeder 3D 1575/1575LV: 391 Overseeder 3D 2075: 297	Pounds and multiply the result by: Overseeder 3D 1275: 4.76 Overseeder 3D 1575/1575LV: 3.63 Overseeder 3D 2075: 2.76
The result is the amount of seeds in kilograms that should be spread per hectare. For a result in grams/m ² divide the result by 10.	The result will give the amount of pounds seeded per 1000 sq.ft. For a result in pounds/acre multiply the result with factor 43.56.



!! Attention !! If the gearbox is set on a high output, it may cause the release of a large quantity of seeds. Then divide the 13 rotations in several smaller steps!

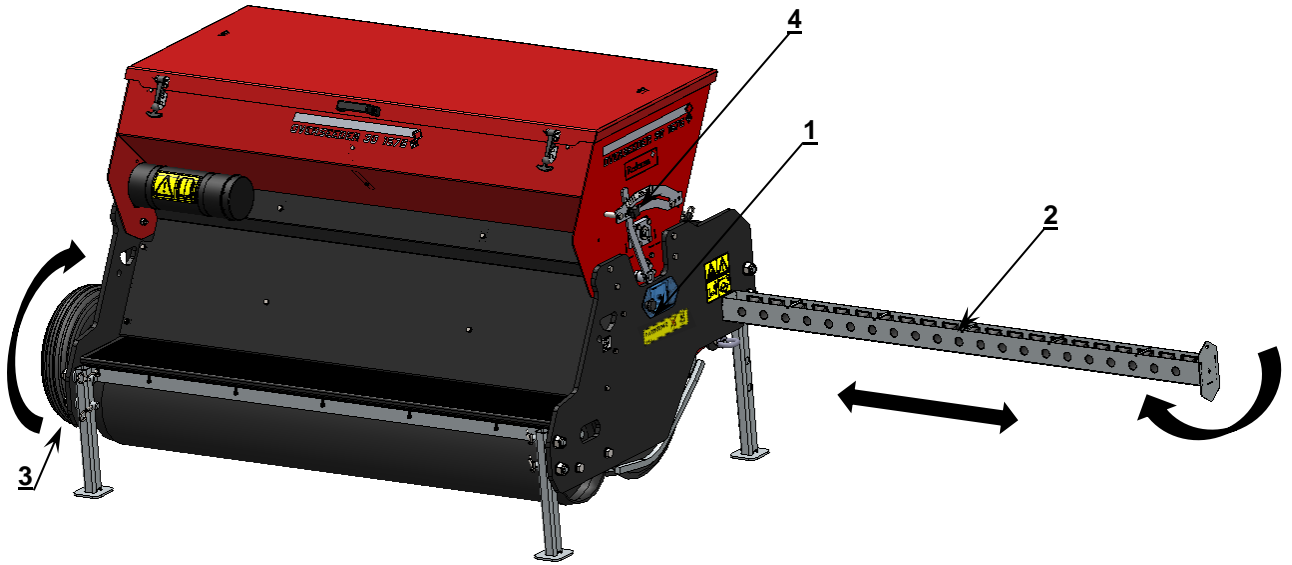
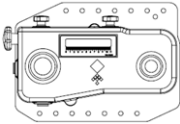
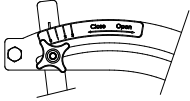
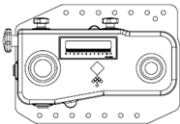
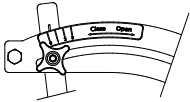
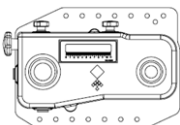
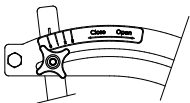


Figure 6

<i>Seeding table Overseeder 3D 1275-1575-2075</i>					
<i>Gearbox setting</i>	<i>Gate opening</i>	<i>Rye grass</i>			
		<i>g/m²</i>	<i>Kg/ha</i>	<i>Pound / 1000 ft²</i>	<i>Pound / Acre</i>
0.5	0	0.3	2.6	0.1	2.4
1	0	0.6	6.3	0.1	5.6
1.5	0	1.4	14.0	0.3	12.5
2	0	2.7	27.4	0.6	24.4
3	0	4.5	45.1	0.9	40.2
4	0	6.5	64.6	1.3	57.6
5	0	8.7	87.4	1.8	78.0
6	0	11.1	111.4	2.3	99.4
7	0	13.9	138.9	2.8	123.9
8	0	17.4	173.9	3.6	155.1
9	0	21.1	210.8	4.3	188.1
10	0	25.3	253.0	5.2	225.7
11	0	31.9	319.3	6.5	284.9
<i>Gearbox setting</i>	<i>Gate opening</i>	<i>Blue grass</i>			
		<i>g/m²</i>	<i>Kg/ha</i>	<i>Pound / 1000 ft²</i>	<i>Pound / Acre</i>
0.5	0	0.7	7.3	0.1	6.5
1	0	1.5	14.5	0.3	13.0
1.5	0	3.2	32.5	0.7	29.0
2	0	5.0	50.2	1.0	44.8
3	0	8.3	82.6	1.7	73.7
4	0	11.8	118.5	2.4	105.7
5	0	16.0	160.2	3.3	142.9
6	0	20.4	204.2	4.2	182.2
7	0	25.5	254.6	5.2	227.1
8	0	31.9	318.8	6.5	284.4
9	0	38.7	386.5	7.9	344.8
10	0	46.4	463.8	9.5	413.8
11	0	58.5	585.4	12.0	522.3
<i>Gearbox setting</i>	<i>Gate opening</i>	<i>Red Fescue grass</i>			
		<i>g/m²</i>	<i>Kg/ha</i>	<i>Pound / 1000 ft²</i>	<i>Pound / Acre</i>
0.5	0	0.4	3.7	0.1	3.3
1	0	0.7	7.3	0.1	6.5
1.5	0	1.6	16.3	0.3	14.5
2	0	2.5	25.1	0.5	22.4
3	0	4.1	41.4	0.8	36.9
4	0	5.9	59.3	1.2	52.9
5	0	8.0	80.2	1.6	71.5
6	0	10.2	102.2	2.1	91.2
7	0	12.7	127.4	2.6	113.6
8	0	16.0	159.5	3.3	142.3
9	0	19.3	193.4	4.0	172.5
10	0	23.2	232.1	4.8	207.1
11	0	29.3	292.9	6.0	261.3

<i>Seeding table Overseeder 3D 1275-1575-2075</i>					
<i>Gearbox setting</i>	<i>Gate opening</i>	<i>Bermuda grass</i>			
		<i>g/m²</i>	<i>Kg/ha</i>	<i>Pound / 1000 ft²</i>	<i>Pound / Acre</i>
0.5	0	0.9	9.0	0.2	8.0
1	0	1.8	17.8	0.4	15.9
1.5	0	4.0	39.9	0.8	35.6
2	0	6.2	61.7	1.3	55.0
3	0	10.2	101.6	2.1	90.6
4	0	14.6	145.6	3.0	129.9
5	0	19.7	196.9	4.0	175.7
6	0	25.1	251.0	5.1	224.0
7	0	31.3	312.9	6.4	279.1
8	0	39.2	391.8	8.0	349.6
9	0	47.5	475.1	9.7	423.8
10	0	57.0	570.1	11.7	508.6
11	0	71.9	719.5	14.7	641.9
<i>Gearbox setting</i>	<i>Gate opening</i>	<i>Bent grass</i>			
		<i>g/m²</i>	<i>Kg/ha</i>	<i>Pound / 1000 ft²</i>	<i>Pound / Acre</i>
0.5	0	0.6	5.9	0.1	5.3
1	0	1.2	11.7	0.2	10.5
1.5	0	2.6	26.2	0.5	23.4
2	0	4.1	40.5	0.8	36.1
3	0	6.7	66.7	1.4	59.5
4	0	9.6	95.6	2.0	85.3
5	0	12.9	129.3	2.6	115.4
6	0	16.5	164.9	3.4	147.1
7	0	20.6	205.5	4.2	183.3
8	0	25.7	257.3	5.3	229.6
9	0	31.2	312.0	6.4	278.4
10	0	37.4	374.4	7.7	334.1
11	0	47.3	472.6	9.7	421.6
<i>Gearbox setting</i>	<i>Gate opening</i>				
		<i>g/m²</i>	<i>Kg/ha</i>	<i>Pound / 1000 ft²</i>	<i>Pound / Acre</i>

7.5 Setting the digital surface meter

A digital surface meter (1) is mounted onto the machine (see Figure 7). This meter can be used to show various data (treated surfaces, distances, hours that you worked, etc.).

A separate manual is added to the Overseeder 3D toolbox. This describes the operation & setting instructions of the surface meter.

If the settings of the surface meter have disappeared from the memory, the machine-specific settings that should be entered are indicated below.

Machine	Parameter 'C' Pulses of the speed sensor	Parameter 'L' Working width	
	Setting UN=0 (metric); 1 (imperial)	m	ft
Overseeder 3D 1275	31	1.29	4.23
Overseeder 3D 1575/1575LV	31	1.60	5.25
Overseeder 3D 2075	Sprocket output shaft gearbox: 45 teeth -> 31 19 teeth -> 73	2.10	6.89

Table 4

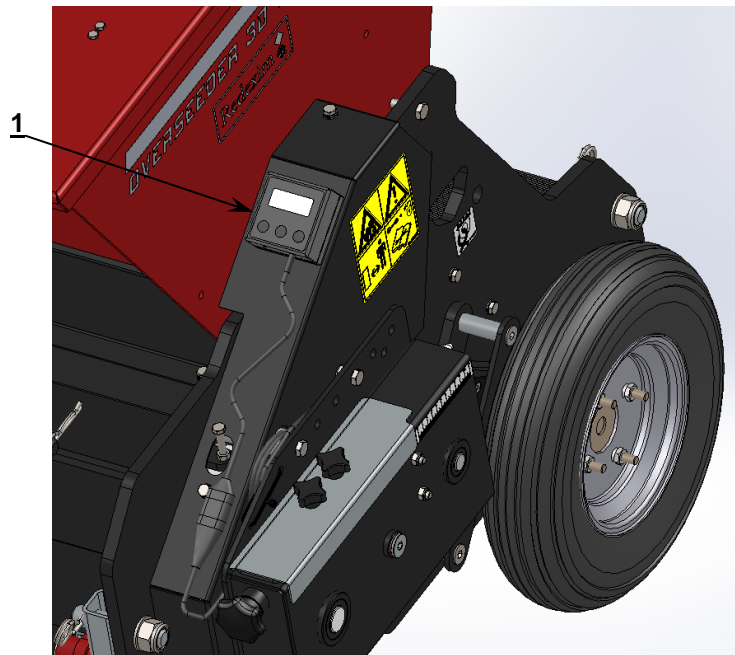


Figure 7

8. TRANSPORT

The user is responsible for transporting the machine on public roads.

Verify the national legislation regarding the regulations. Related to the weight of the machine, it is recommended not to drive faster than 20 km/h (12.4 mph) with a lifted machine. A higher speed can be dangerous for the driver and/or the public and can even damage the machine.



!! When the machine is raised off the ground, the front axle of the tractor has to support minimum 20% of the tractor's weight !!

9. PUTTING THE MACHINE INTO OPERATION

9.1 Safety

Before using the Overseeder 3D, you should check the following:

1. Are there loose objects in the field? First remove these objects.
2. Are there slopes? The maximum slope is 20 degrees for this machine. Always go from top to bottom.
3. Are there hard objects in the ground? If so, use the Overseeder 3D at adjusted speed.
4. Is there danger of flying objects (e.g., golf balls) that distract the attention of the driver? If so, the Overseeder 3D **CANNOT** be used.
5. Is there danger of sinking / sliding away? If so, postpone the work activities.
6. If the soil is frozen or very wet, postpone the activities until conditions improve.
7. Check whether the hopper is not too damp. Dampness can cause the seeds to stick to each other and this leads to a poor result.
8. Do NOT make sharp curves when the Overseeder 3D touches the ground.

9.2 Working speed

The maximum safe working speed of the machine is approx. 12 km/h (7.5 mph). However, the user should check which speed is optimal to achieve the required result per individual situation and soil treatment.

9.3 General remarks for using the Overseeder 3D

- A field can be treated two or three times in different directions in order to obtain a higher sowing density.
- Do NOT make sharp curves and preferably drive in straight lines to prevent damage to the machine and the ground.
- If a hard object in the ground is hit, the knives can get damaged. In that case, try to file the burrs or replace the knives.
- If the knives get damp, seeds can stick to each other and accumulate between the knives.
- Try to make sure that the knives do not get damp or postpone sowing until the conditions are better.
- NEVER drive in reverse when the machine stands on the ground.

9.4 Start / stop procedure

Before starting to sow, check the machine on the following points:



Make sure that the Overseeder and tractor cannot move during adjustment.



Switch off the tractor engine.

- Check that the shaft that drives the seed cups rotates smoothly.
When the hopper is empty, the shaft (1) must be able to rotate with a wrench without too much force.
Rotate the shaft in the direction indicated by the arrow. (See Fig. 7-1)

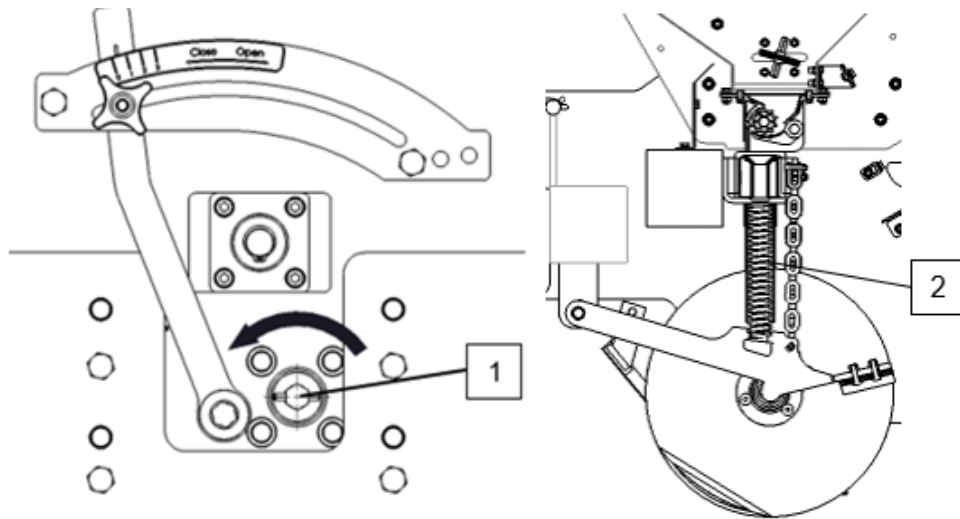


Fig. 7-1

If a heavy point is found, first check where it comes from and fix it.
First of all, check for contamination of the sowing system and clean.

Attention! If the shaft turns too heavily, a damaging overload of the gearbox can be the result.

- Check that the seed passage (2) is not blocked. (Fig.7-1)
- Check that the machine is not damp, especially the sowing system.
Check the sowing elements (1) for damage and repair if necessary. (Fig.7-2)

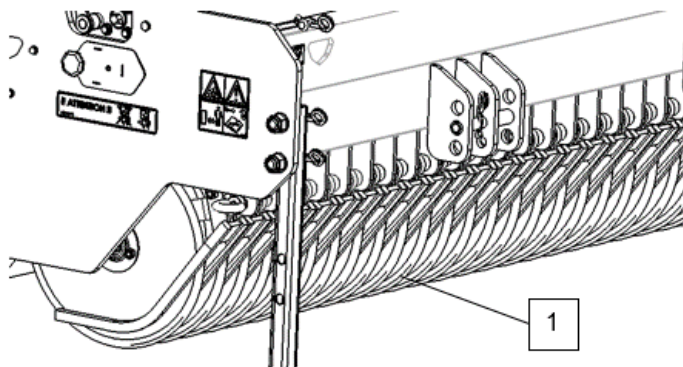


Fig.7-2

STARTING TO SOW

The start procedure is VERY important. If this procedure is not executed as described below, it might result in serious damage to the machine. The procedure is as follows:

1. Put seeds in the seed container.
2. Set the required dose of seeds by adjusting the gearbox (see Section 7.3).
3. Move to the location where you want to start.
4. Start at a speed of approx. 3 km/h (1.9 mph).
5. While driving, lower the machine gently and in a controlled manner, until the sowing elements cut into the ground.
6. Increase the speed until the correct drive speed is achieved.

STOPPING TO SOW

1. Decrease the driving speed to approx. 3 km/h (1.9 mph).
2. While driving, lift the machine off the ground.
3. Go to the next location and start again as described above.



It is absolutely necessary to work according the aforementioned procedures. If the machine is put into the ground in a non-operating position, serious damage to the machine might occur.



While driving, lower the machine carefully and in a controlled manner during treatment.



NEVER drive in reverse when the machine stands on the ground.

10. MAINTENANCE

Timeline	Checkpoint	Method
Before every usage	Check the shaft that drives the seed cups rotates smoothly.	See chapter 9.4. If the shaft rotates heavily, check for contamination and clean the seeding system.
	Check that the machine is not damp, especially the seeding system.	Dry the machine, use only air.
	Check for loose bolts/nuts.	Tighten the loose bolts/nuts to the correct torque.
	Presence and legibility of the safety decals.	Replace if not present/damaged.
After every usage	Clean the machine and especially the sowing mechanism.	Clean the seeding mechanism with air only. Do not use water.
	Store the machine in a dry environment.	
After the first 20 working hours. (new or repaired)	Check for loose bolts/nuts.	Tighten the loose bolts/nuts to the correct torque.
	Grease the grease points.	Use EP 2 grease. 1 shot
	Check that the drive chains have enough lubrication.	Lubricate the drive chains.
After every 100 hours	Check whether there is still enough grease/oil in the gearbox.	Top up the gearbox, see parts manual for details.
	Check that the drive chains have enough lubrication.	Lubricate the drive chains.
	Grease the grease points.	Use EP 2 grease. 1 shot

Table 5

10.1 Lubrication points

To guarantee the proper functioning of the Overseeder 3D, the bearings at both sides of the rear roller should be greased regularly (see Figure 8).

Grease these points according to the schedule shown in Table 5.

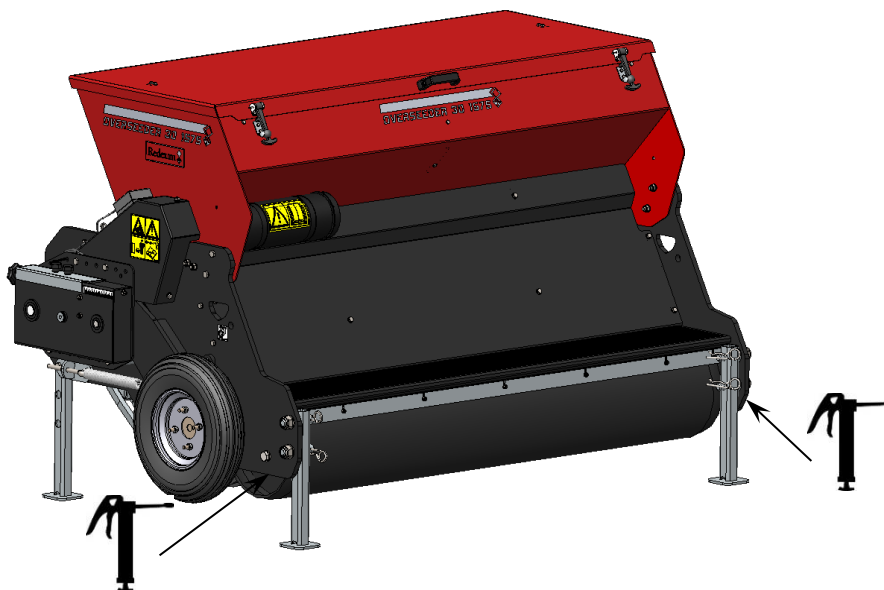


Figure 8

11. TROUBLE SHOOTING (PROBLEM ANALYSIS)

Problem	Possible cause	Solution
No seeds come out of the machine.	The seeds are damp and stick to each other.	Use dry seeds.
	The gearbox is set incorrectly.	Set the gearbox to the correct setting.
	The seed flap is set incorrectly.	Set the seed flap to the correct setting.
	No seeds in the seed tray	Check and top up.
	Sowing pipes / funnels are blocked / dirty.	Rectify / clean the blockage.
The seeds are not in the sow trench.	Knives are worn out.	Replace the knives.
	Wrong working depth	Adjust the working depth of the machine.
	Soil is too wet.	Postpone the treatment until the conditions are better.
	Ground is too hard.	Aerate or give water and postpone sowing until later.
	Attaching tension of the tractor is too low.	Put towing arms in a higher hole.
	Top rod is adjusted incorrectly.	Adjust the top rod correctly.
	Too much felt in the top layer of the field	Remove the felt
	Too little weight	Put extra weight
Too many seeds come out of the machine.	The seed flap setting is incorrect.	Adjust the seed flap setting.
	Gearbox setting is too high.	Set the gearbox to the correct setting.
Sow trenches are shaped poorly.	Worn-out knives	Replace the knives.
	Knives do not rotate / are stuck.	Adjust the top rod correctly.
	Bearings of the knives are worn out.	Replace the bearings
	Poor ground conditions	Decrease the working depth. Aerate or give water and repeat sowing later.
	Too much felt in the top layer of the field	Remove the felt
	Top rod is adjusted incorrectly.	Adjust the top rod correctly.
Sow trenches are not closed.	Trenches are too wide.	Decrease the working depth.
	Ground is too hard.	Aerate or give water and postpone sowing until later.

Table 6

12. OPTIONS

12.1 Weight kit

Standard, the Overseeder 3D is equipped with a front bar to which the weights (1) can be attached (see **Figure 9**).

Depending on your requirements, a certain number of weights (@ 20 kg/item [44 lbs/item]) can be attached. The maximum number of weights that can be attached to each type of machine is listed at the bottom of this page.

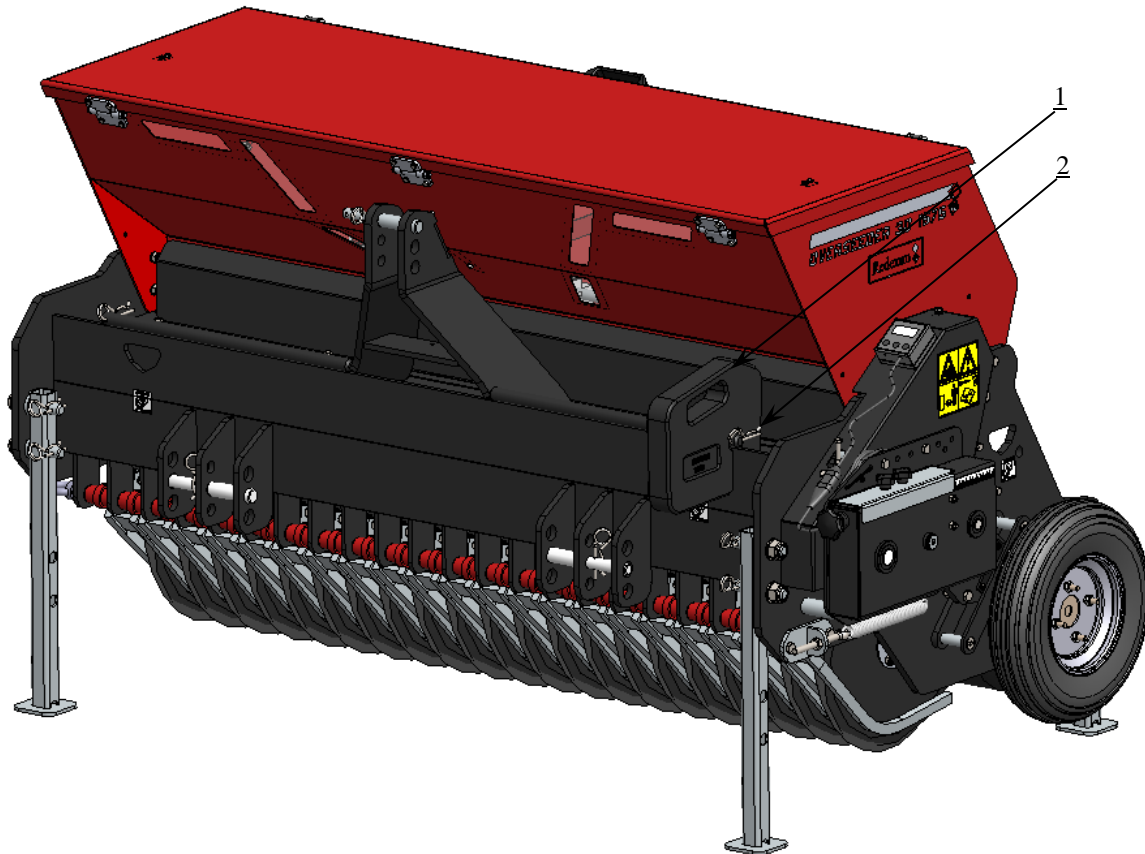






Figure 9

Do the following to mount the weights:

1. Remove the locking pin (2).
2. Slide the required number of weights (1) onto the axle.
3. Return the locking pin (2) into the frame.

General remarks about the weight kit:

-  **!! Always secure the attached weights using the locking pin (2) !!**
-  **!! Never crawl under the machine !!**
-  **!! Make sure that the machine and the tractor cannot move while you are detaching them !!**
-  **!! Switch off the tractor engine *before* detaching the machine !!**

The following weights per machine are available:

- | | | |
|------------------------------|----------|---------------------------------|
| • Overseeder 3D 1275: | max. 12x | 492.502.800 (240 kg / 529 lbs) |
| • Overseeder 3D 1575/1575LV: | max. 18x | 492.502.800 (360 kg / 794 lbs) |
| • Overseeder 3D 2075: | max. 26x | 492.502.800 (520 kg / 1146 lbs) |

12.2 Bogy kit

As an alternative for lifting the machine, it can be equipped with a Bogy kit / wheel set (see Figure 10).

The following Bogy kits per machine are available:

- Overseeder 3D 1275: 222.127.502
- Overseeder 3D 1575/1575LV: 222.157.502
- Overseeder 3D 2075: 222.207.502

This Bogy kit is delivered separately and can be mounted onto the machine with a standard 3-point connector.



Figure 10