

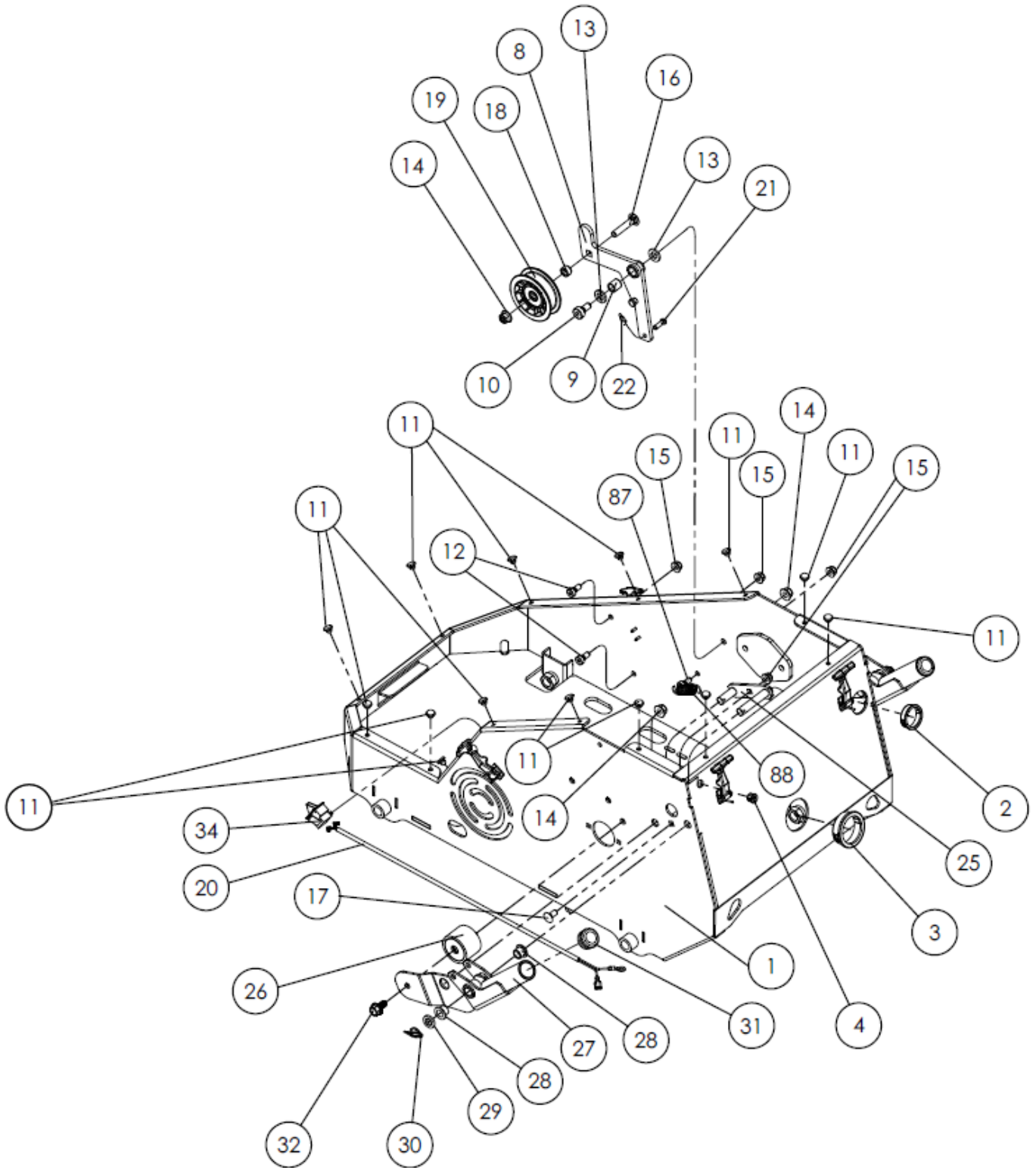


## “Easy-Core”

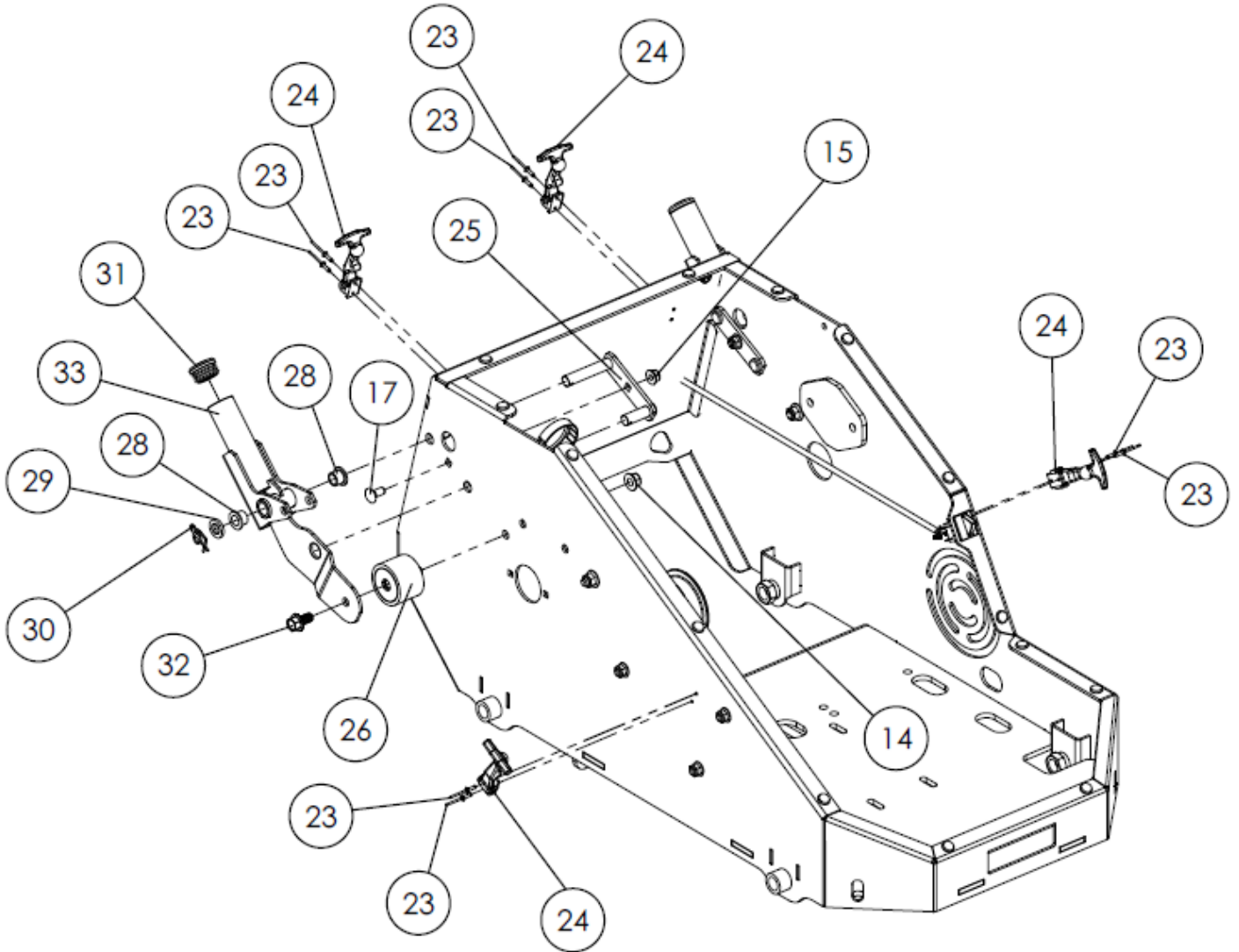


- **Easy-Core 104:** From SNG2190134 (PN 117.010.401)
- **Easy-Core 108:** From SNG043215 (PN 117.010.800)

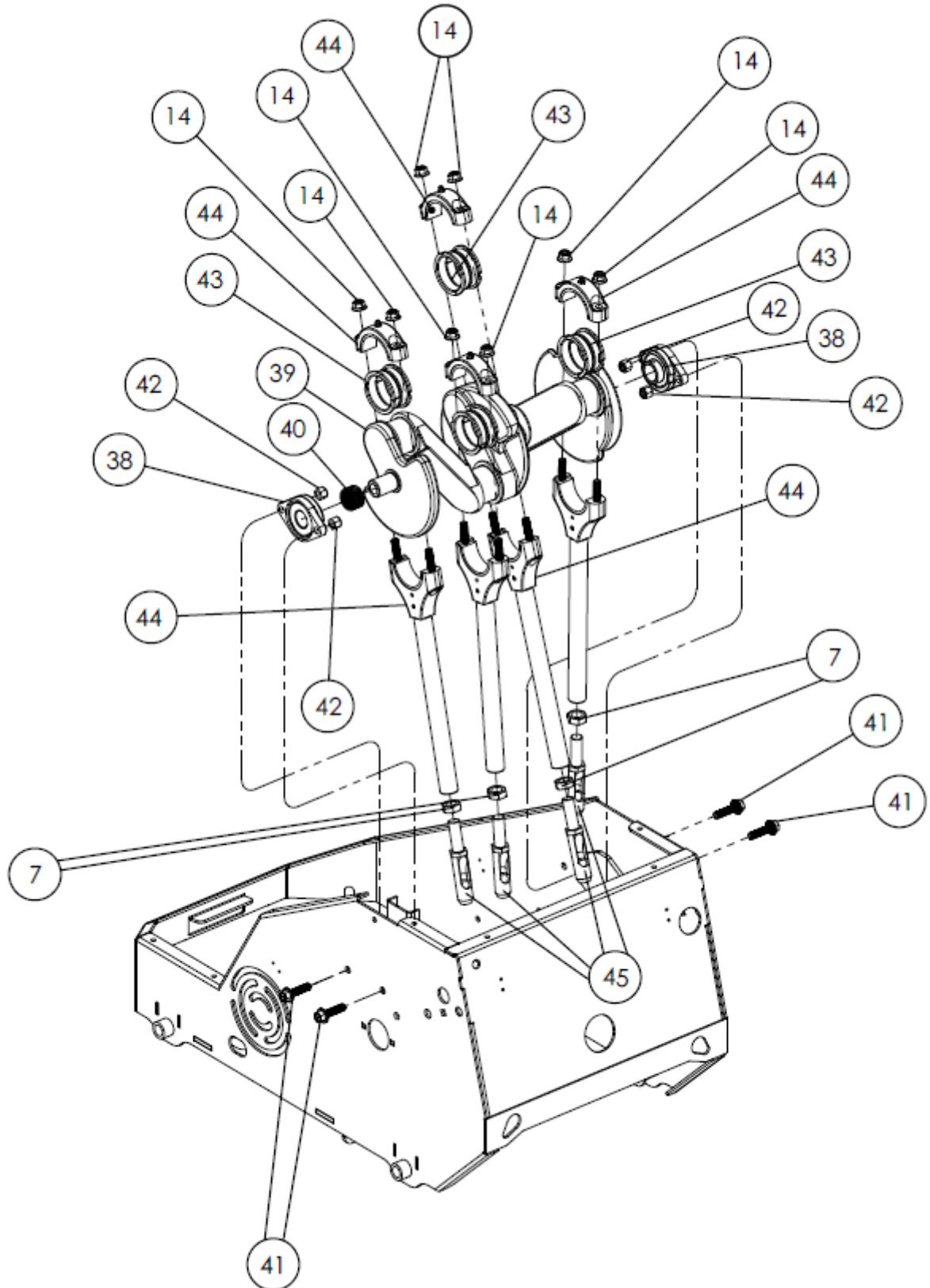
REDEXIM  
Kwekerijweg 8  
3709JA - Zeist - The Netherlands  
T: +31 (0)306 933 227  
E: [redexim@redexim.com](mailto:redexim@redexim.com)  
[www.redexim.com](http://www.redexim.com)



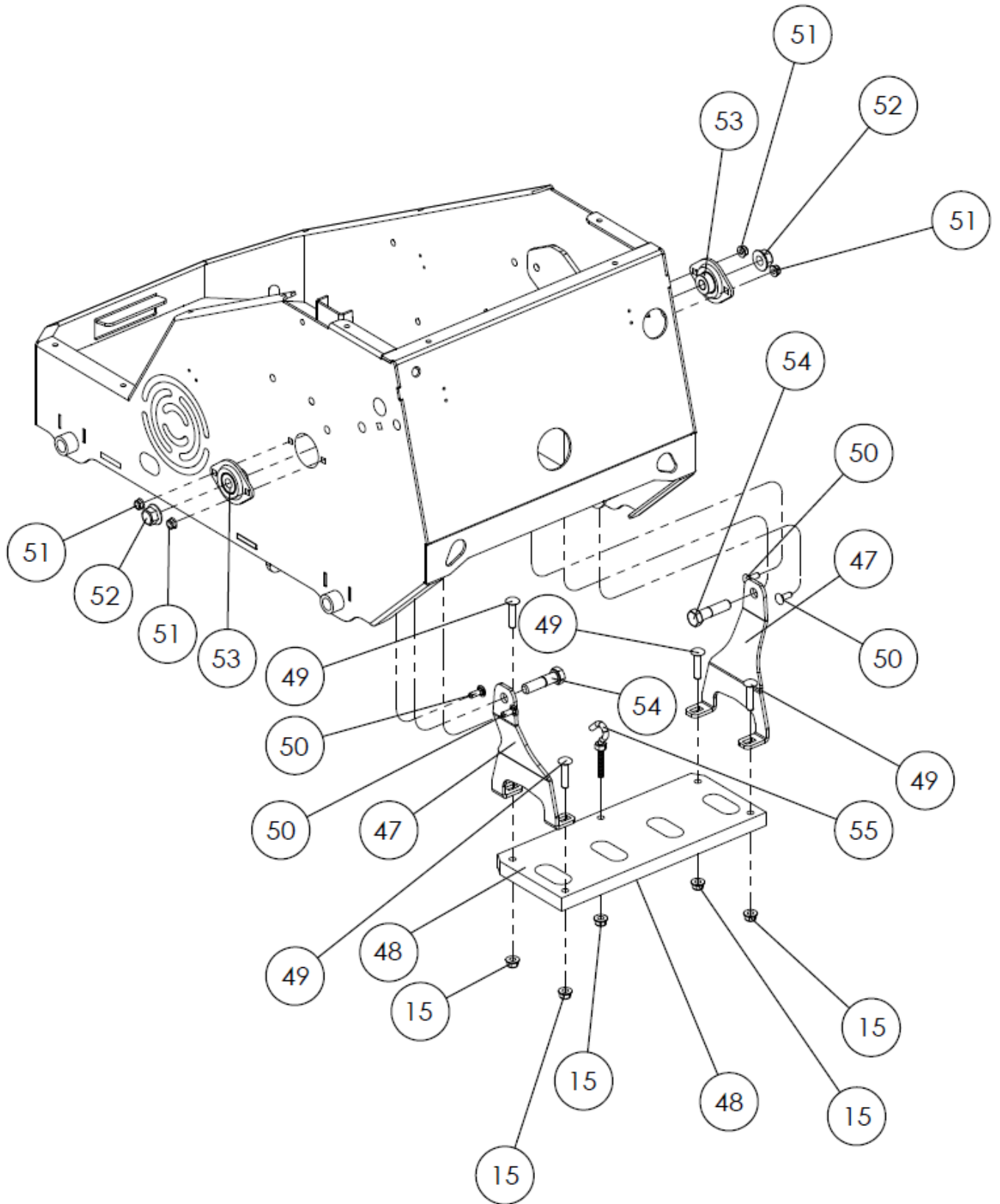
	PART #	DESCRIPTION	REMARKS	QUA
1	E382130-S	WA, PL1801 FRAME		1
2	E382240	BUSHING, SNAP 1.31" ID		1
3	E382292	BUSHING, SNAP 1.81" ID		1
4	E373308	BUSHING, SPLIT 0.350" NYLON BLACK		1
8	E382133	WA, IDLER ARM PL18		1
9	E382312	BRG, SLEEVE Ø.500" X Ø.625" X .625"		1
10	E382259	BLT-SLDR,SH.500"X1.00",.375"-16X.63"G-8ZP		1
11	E380224	RUBBER BUMPER, PUSH-IN		14
12	E382322	BLT-SLDR,SH.375"X2.25",.313"-18X.50"G-8ZP		2
13	E382258	WSHR-NYL, FLT, .500" X .875" X .125"		2
14	E8165003	NUT-HEX-NYLK, FLG .375"-16 ZP		4
15	E8165002	NUT-HEX-NYLK, FLG .3125"-18 ZP		5
16	E8024062	BOLT CARRIAGE 3/8-16 X 2" ZP		1
17	E8024039	BOLT CARRIAGE 5/16-18 X 3/4" ZP		2
18	E440228	TUBE SPACER 0.625" OD x 0.357" LONG		1
19	E350114	PULLEY IDLER 2.75" OD X 3/8" BORE		1
20	E380227	WIRE HARNESS, PL HOOD SWITCH		1
21	E381077	PIN, CLEVIS 1/4 x 3/4"		1
22	E371275	PIN, RUE RING 0.250"		1
25	E382134	WA, ISO MOUNT		2
26	E373257	ISOLATOR, VIBRATION HANDLE SC181H		2
27	E382136-S	WA, REVOLVER LH		1
28	E362254	BUSHING, .500" I.D.		4
29	E382277	WSHR-STL,FLT .500"X.875"X.134" MAB ZP		2
30	E382336	RING, RUE .500"		2
31	E791056	PLUG TUBE INSERT 1.25" O.D.		2
32	E791080	SER. HEX WSHR FLNG SCR 0.375 - 16 x 0.75		2
34	E840058	SWITCH INTERLOCK		1
87	E360152	87 BLT-SLDR,SH.375"X1.00",.313"-18X.50"G-8ZP		1
88	E351275	SPRING IDLER UPPER OS900SP		1



Redexim		Easy-Core 104 From SNG2190134		Page 02	Code 1924
	PART #	DESCRIPTION	REMARKS	QUA	
14	E8165003	NUT-HEX-NYLK, FLG .375"-16 ZP		1	
15	E8165002	NUT-HEX-NYLK, FLG .3125"-18 ZP		1	
17	E8024039	BOLT CARRIAGE 5/16-18 X 3/4" ZP		2	
23	E381115	RIVET 1/8 x 1/4 ALUM		8	
24	E381003	RUBBER LATCH KIT		4	
25	E382134	WA, ISO MOUNT		2	
26	E373257	ISOLATOR, VIBRATION HANDLE SC181H		2	
28	E362254	BUSHING, .500" I.D.		4	
29	E382277	WSHR-STL,FLT .500"X.875"X.134" MAB ZP		2	
30	E382336	RING, RUE .500"		2	
31	E791056	PLUG TUBE INSERT 1.25" O.D.		2	
32	E791080	SER. HEX WSHR FLNG SCR 0.375 - 16 x 0.75		2	
33	E382135-S	WA, REVOLVER RH		1	

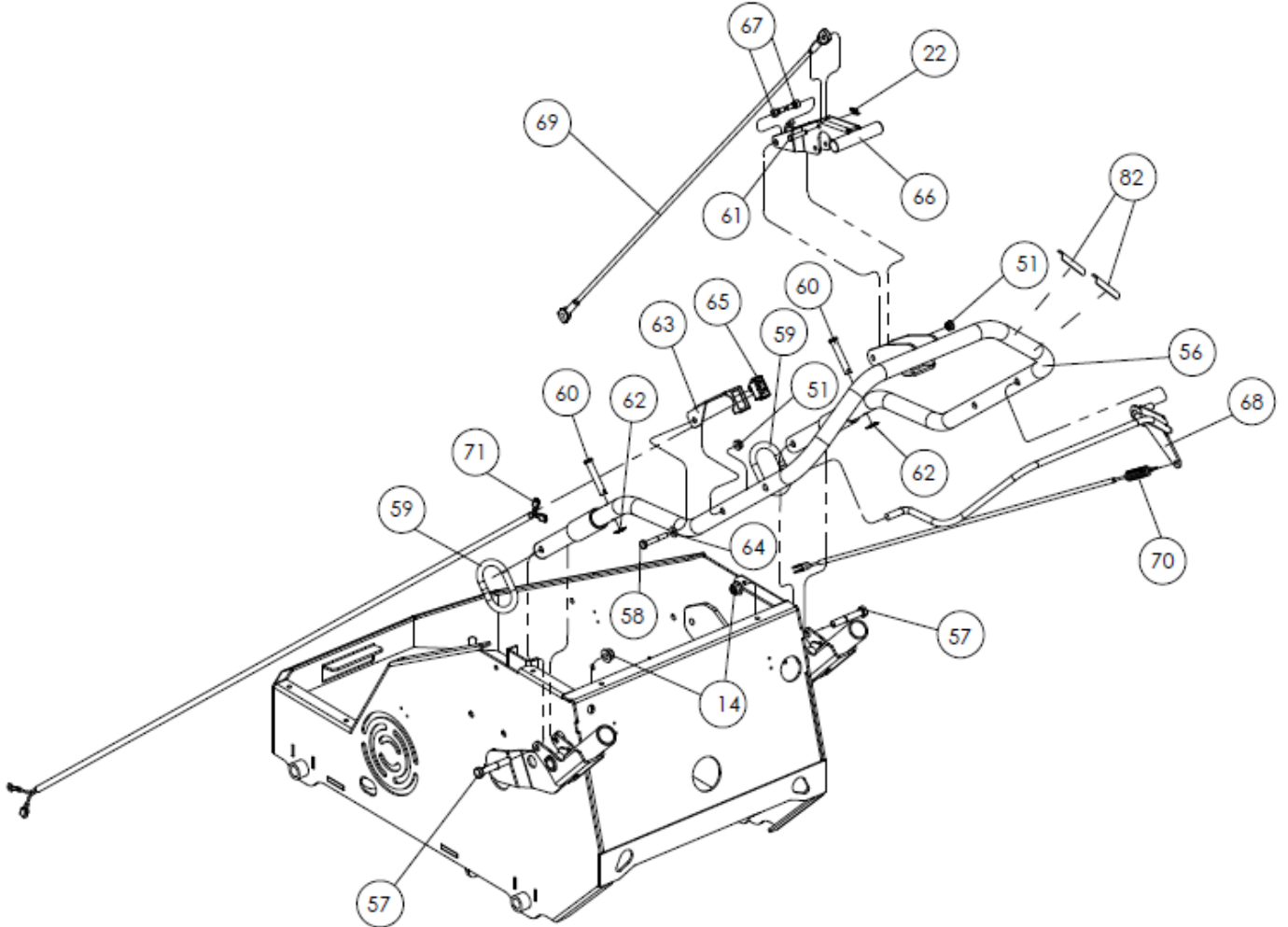


	PART #	DESCRIPTION	REMARKS	QUA
7	E8143007	JAM NUT, 5/8-11 UNC		4
14	E8165003	NUT-HEX-NYLK, FLG .375"-16 ZP		6
38	E381042	BEARING FLANGED 1.0 DIA		2
39	E381296	CRANK 4 TINE		1
40	E382220	SPRING, WAVE 1.000" X .700"		1
41	E382296	SCR-CAP, HSWH .375"-16 X 1.500" G5 ZP		4
42	E8160003	NUT LOCK 3/8-16 HEX		4
43	E380213	BEARING JOURNAL 2" DIA		8
44	E382264	ASM, TINE ROD AND CAP		4
45	E382244	TINE, PLUGR .625"-11 BLACK		4

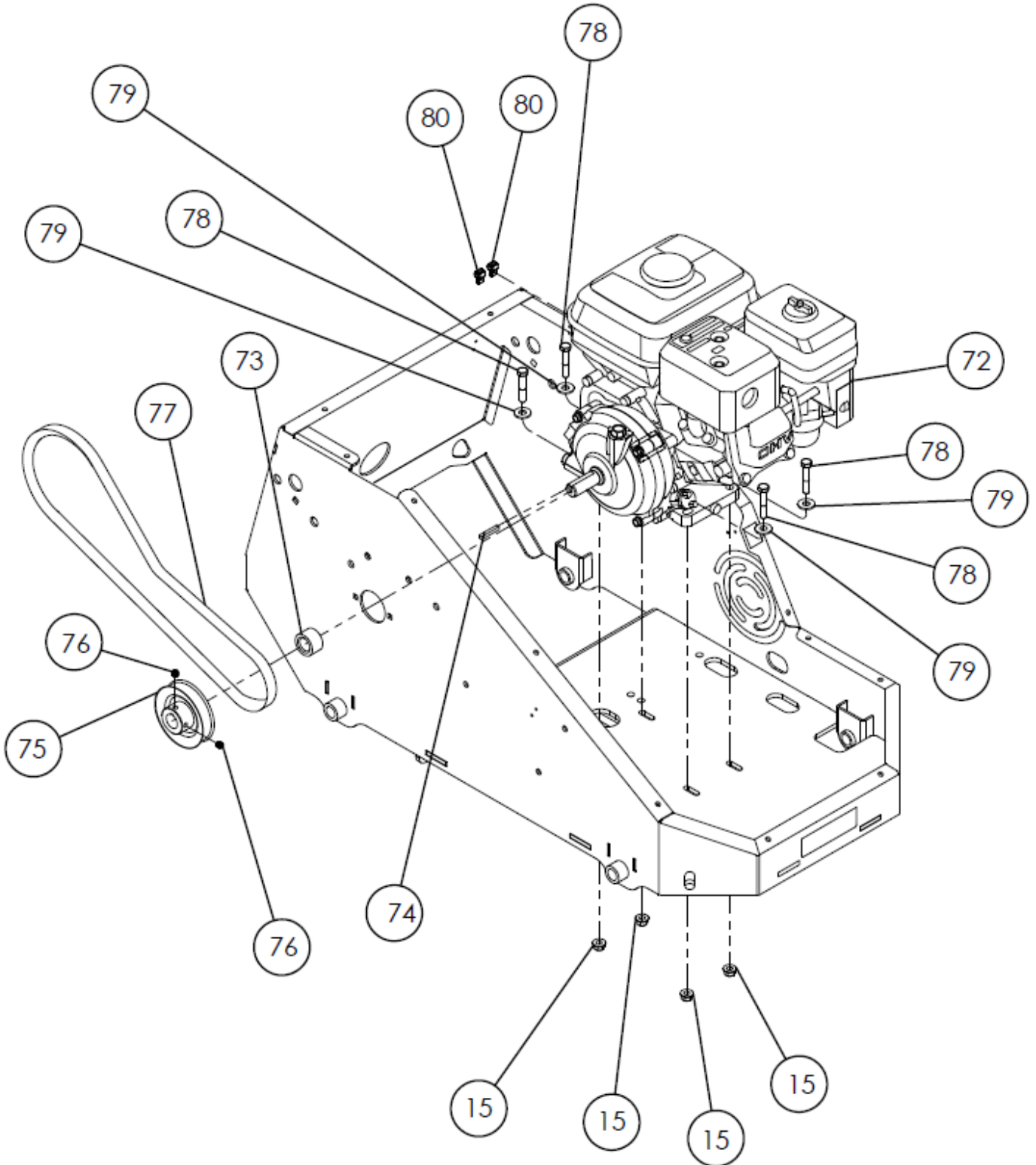




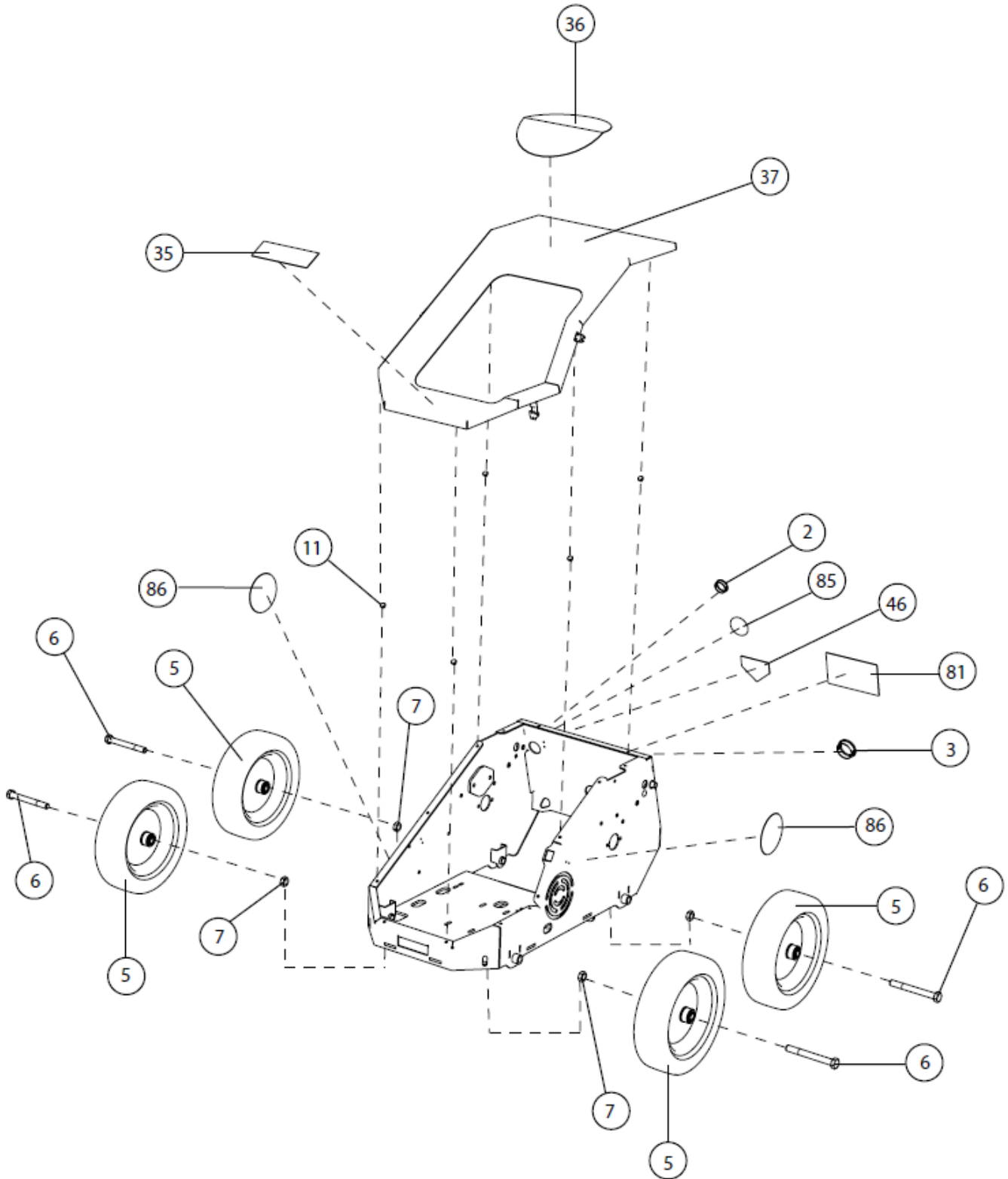
Redexim		Easy-Core 104 From SNG2190134		Page 04	Code 1924
	PART #	DESCRIPTION	REMARKS	QUA	
15	E8165002	NUT-HEX-NYLK, FLG .3125"-18 ZP		5	
47	E382326	BRKT, RETRACTOR PLATE		2	
48	E382325	PLATE, RETRACTOR PL1801		1	
49	E8024068	BLT-RDHDSSQNK, .3125"-18 X 1.500" G5 ZP		4	
50	E8024021	BOLT CARRIAGE 1/4-20 X 3/4" ZP		4	
51	E8165001	NUT-HEX-NYLK, FLG .250"-20 ZP		4	
52	E8165005	NUT-HEX-NYLK, FLG .500"-13 ZP		2	
53	E891025	BEARING 1/2" PRESSED STEEL HOUSING		2	
54	E8041098	SCREWCAP 1/2-13 X 2 GR5 ZP		2	
55	E382337	BLT, HOOK .3125"-18 X 3.125" OAL W/NUT		1	



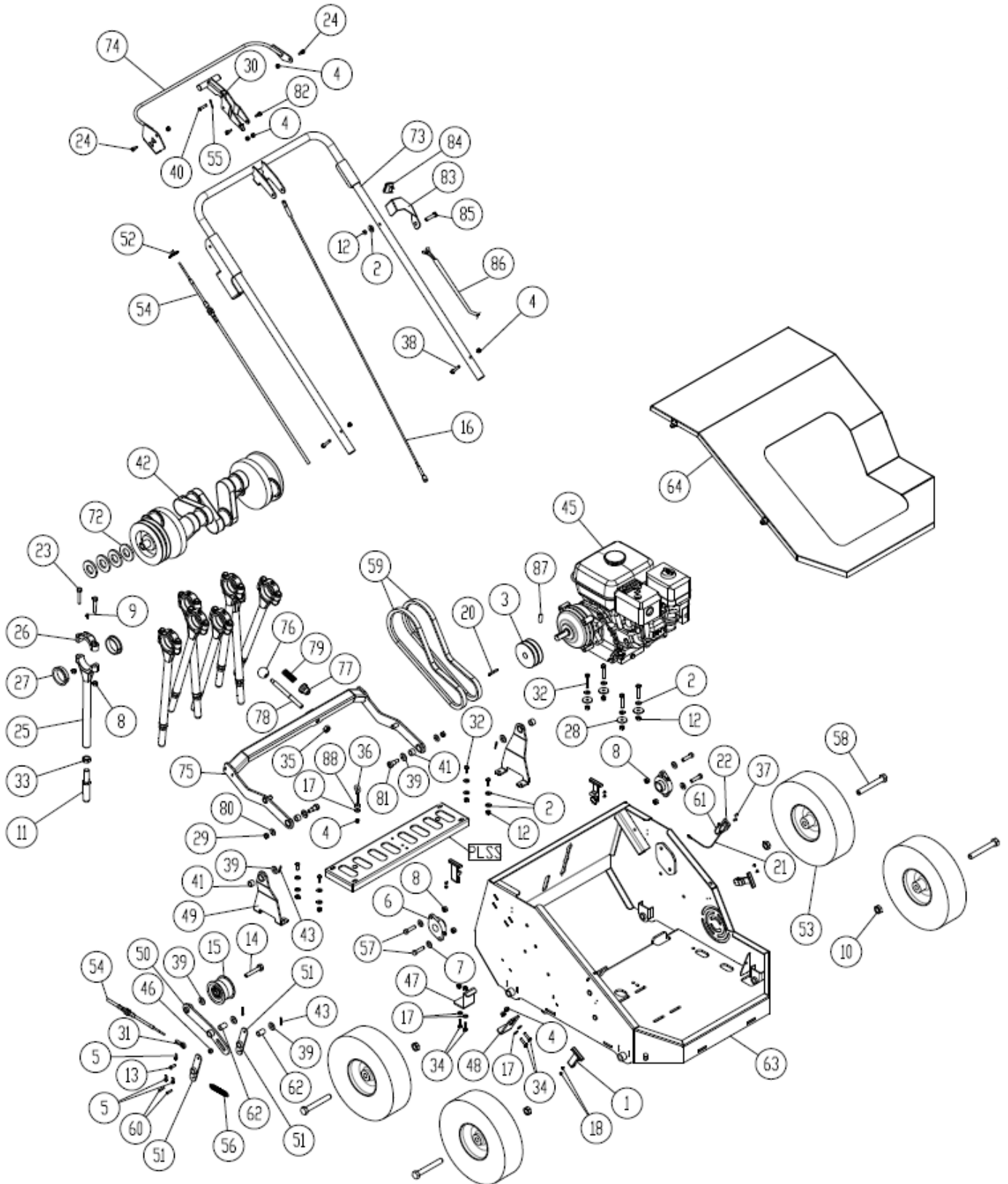
Redexim Easy-Core 104 From SNG2190134		Page 05	Code 1924	
	PART #	DESCRIPTION	REMARKS	QUA
14	E 8165003	NUT-HEX-NYLK, FLG .375"-16 ZP		2
22	E371275	PIN, RUE RING 0.250"		1
51	E8165001	NUT-HEX-NYLK, FLG .250"-20 ZP		1
56	E382131	WA, HANDLE PL1801		1
57	E8041055	SCREWCAP 3/8"-16 X 2 1/4" HCS ZP GR 5		2
58	E8041009	SCREWCAP 1/4"-20 X 1 3/4" HCS ZP		1
59	E351231	LOOP FOLDING HANDLE OS900SP		2
60	E520120	PIN CLEVIS 3/8 x 2.125		2
61	E381345	PIN, CLEVIS ¼ X 1-1/8 ZP		1
62	E360279	RETAINER 3/8" BOLT PUSH NUT		2
63	E430141	QB SWITCH BOX		1
64	E8172007	WASHER 1/4 SAE 9/32 X 5/8 X 1/16		1
65	E500281	SWITCH LKG RKR B&S #493521		1
66	E381201	HANDLE RETRACTOR WA		1
67	E381158	BLT-SLDR,SH.313"X.25",.25"-20X.438"G8ZP		2
68	E382132	WA, BAIL PL1801		1
69	E382332	TINE LIFT CABLE, PL1801		1
70	E380221	CABLE CLUTCH 39"		1
71	E360316	HARNESS WIRE 60"		1
82	E100356	LABEL TINE ENGAGE PL		2



	PART #	DESCRIPTION	REMARKS	QUA
15	E8165002	NUT-HEX-NYLK, FLG .3125"-18 ZP		15
72	E360355	ENGINE, B&S VANGUARD 5.5HP W6:1 AT 3		1
73	E381215	SPCR; ENG SHAFT VAN PL18		1
74	E9201080	KEY 3/16" SQ X 1 1/4"		1
75	E381018	PULLEY 3.5" OD x 3/4" BORE		1
76	E8084106	SCREW SET 5/16-18 X 5/16"		2
77	E520006	BELT BLADE DRIVE 5L45 (PBL)		1
78	E8041031	SCREWCAP 5/16"-18 X 1 3/4" GR 5 HCS ZP		4
79	E8171003	WASHER 5/16 FLAT ZP		4
80	E840215	TERMINAL 18-14 BLUE T-TAP		2



	PART #	DESCRIPTION	REMARKS	QUA
2	E382240	BUSHING, SNAP 1.31" ID		1
3	E382292	BUSHING, SNAP 1.81" ID		1
5	E381768	WHEEL 12" WITH 5/8" BEARING		4
6	E8041151	SCREWCAP 5/8-11 X 4-1/2 GR5 ZP		4
7	E8143007	NUT JAM, 5/8-11 ZP		4
11	E380224	RUBBER BUMPER, PUSH-IN		14
35	E100367	LABEL BADGING PLUGR PL415		1
36	E100365	LABEL BADGING 10" LOGO ROUND		1
37	E381770	COVER ASSEMBLY PL18		1
46	E400424	LABEL WARNING OPEI		1
81	E100354	LABEL AERATING INST PL		1
85	E380239	LABEL ROUND CORE T2V 2.5"		1
86	E890456	LABEL PRODUCT DECAL SM CIRCLE		2





Redexim Easy-Core 108 From SNG043215			Page 01	Code 1924
	PART #	DESCRIPTION	REMARKS	QUA
1	E91.909.093	Rubber latch		4
2	E91.909.195	Flat washer Ø5/16"		12
3	E380200	Engine pulley		1
4	E91.909.299	SL Nut 1/4-20 UNC		7
5	E371275	Cotter pin 1/4"		3
6	E91.909.492	Bearing Ø1"		2
7	E91.909.494	Flat washer Ø3/8"		4
8	E91.909.495	SL Nut 3/8-16 UNC		20
9	E91.909.592	Grease fitting 1/4-28		8
10	E91.919.190	Jam Nut 5/8-11 UNC		4
11	E91.909.597	Tine Ø5/8"		8
12	E91.909.792	SL Nut 5/16-18 UNC		8
13	E91.909.797	Clevis pin Ø1/4"x3/4"		1
14	E381089	Hex. Bolt 1/2-13 UNC x 2"		1
15	E381089	Hex. Bolt 1/2-13 UNC x 2"		1
16	E91.909.899	Retractor plate cable		1
17	E91.909.991	Flat washer Ø1/4"		5
18	E91.919.195	Stainless rivet Ø1/8"x1/4"		8
20	E9201084	Key 3/16"x 1-3/4"		1
21	E91.919.296	Safety switch wire		1
22	E91.919.299	Safety switch		1
23	E91.919.492	Hex. Bolt 3/8-16 UNC x 2"		16
24	E91.929.497	Hex. Shoulder Bolt 5/16 x3/8"		2
25	E381776	Tine rod		8
26	E381173	Tine rod cap		8
27	E90.929.193	Journal bearing Ø2"		16
28	E91.919.798	Fender washer Ø5/16"		4
29	E91.919.799	Lock nut 3/8-16 UNC		2
30	E91.929.091	Retractor handle		1
31	E91.929.397	Spherical rod end 10-32 UNF		1
32	E91.929.498	Hex. Bolt 5/16-18 UNC x 1-3/4"		8
33	E8143007	Nut Jam 5/8"-11 ZP		8
34	E91.929.697	Hex. Bolt 1/4"-20 UNC x 1"		4
35	E8160005	Lock Nut 1/2"-13 Hex ZP		1
36	E91.929.792	Eyebolt Ø1/2x1/4-20 UNC		1
37	E91.929.991	Rivet Ø3/16x3/8"		2
38	E91.939.298	Hex. Bolt 1/4"-20 UNC x 1 3/4"		2
39	E91.939.299	Flat washer Ø1/2"		5
40	E91.939.495	Clevis pin Ø1/4x1-1/8"		1
41	E91.959.192	Bushing 1/2"ID x 3/4"OD x 1/2"		4
42	E91.959.292	8 Tine crankshaft		1
43	E91.959.293	Cotter Pin Ø1/8x1"		2
45	E91.969.190	GX160 Honda Engine w Gearbox		1
46	E91.969.295	Prehard roller		1
47	E91.969.299	lower belt tension bracket		1
48	E91.969.390	Upper belt tension bracket		1
49	E91.969.392	Retractor plate arm		2
50	E91.969.393	Clutch profile arm		1
51	E91.969.394	Clutch cam arm		2
52	E91.969.397	Cable adjustment spool		1
53	E381768	Wheel 12"w Ø5/8" bearing hub		4
54	E91.969.595	Push pull cable 55"		2

Redexim Easy-Core 108 From SNG043215		Page 01	Code 1924	
	PART #	DESCRIPTION	REMARKS	QUA
55	E91.969.599	Cotter pin Ø3/32x3/4"		2
56	E91.969.693	Extension spring Ø1/2x3"-5"		1
57	E91.969.697	Hex. Bolt 3/8-16 UNC x 1-1/2"		4
58	E91.969.698	Hex. Bolt 5/8-11 UNC x 4-1/2"		4
59	E91.969.791	Cogged V-belt B 35"		2
60	E91.969.795	Clevis pin Ø3/16x3/4"		2
61	E90.929.197	Harness ground wire		1
62	E91.969.994	Bushing 1/2 ID x 5/8 OD x 1"		2
63	E91.979.191	Frame		1
64	E91.979.192	Cover		1
65	E91.919.497	8 Tine retractor plate		1
72	E362205	Machinery bushing 1"X 1 1/2 X 14 GA		16
73	E91.979.292	Handle		1
74	E91.979.293	Clutch lever		1
75	E381747	Adjustable retractor Yoke		1
76	E381748	Phenolic Ball knob		1
77	E381750	Adjustable retractor lock plug		1
78	E381751	Retractor adjustment lever		1
79	E381753	Spring .72 X 2"-.6"		1
80	E91.979.597	Washer USS Ø5/16 Thru hard		2
81	E91.979.598	Shoulder Bolt Ø1/2x5/8"		2
82	E91.919.598	Shoulder bolt Ø5/16x1/4"		4
83	E500281	Switch LKG RKR		1
84	E430141	Bracket mount switch		1
85	E91.919.493	Hex bolt 5/16"-18 x 1 1/2"		1
86	E360316	Harness wire 60"		1
87	E380218	Set screw 3/8"- 16 X 3/4" Cup point		1
88	E381625	Roller 0.5' OD X 0.25 ID X 0.313		1