

# **LEVEL-SPIKE 1700 / 2200**

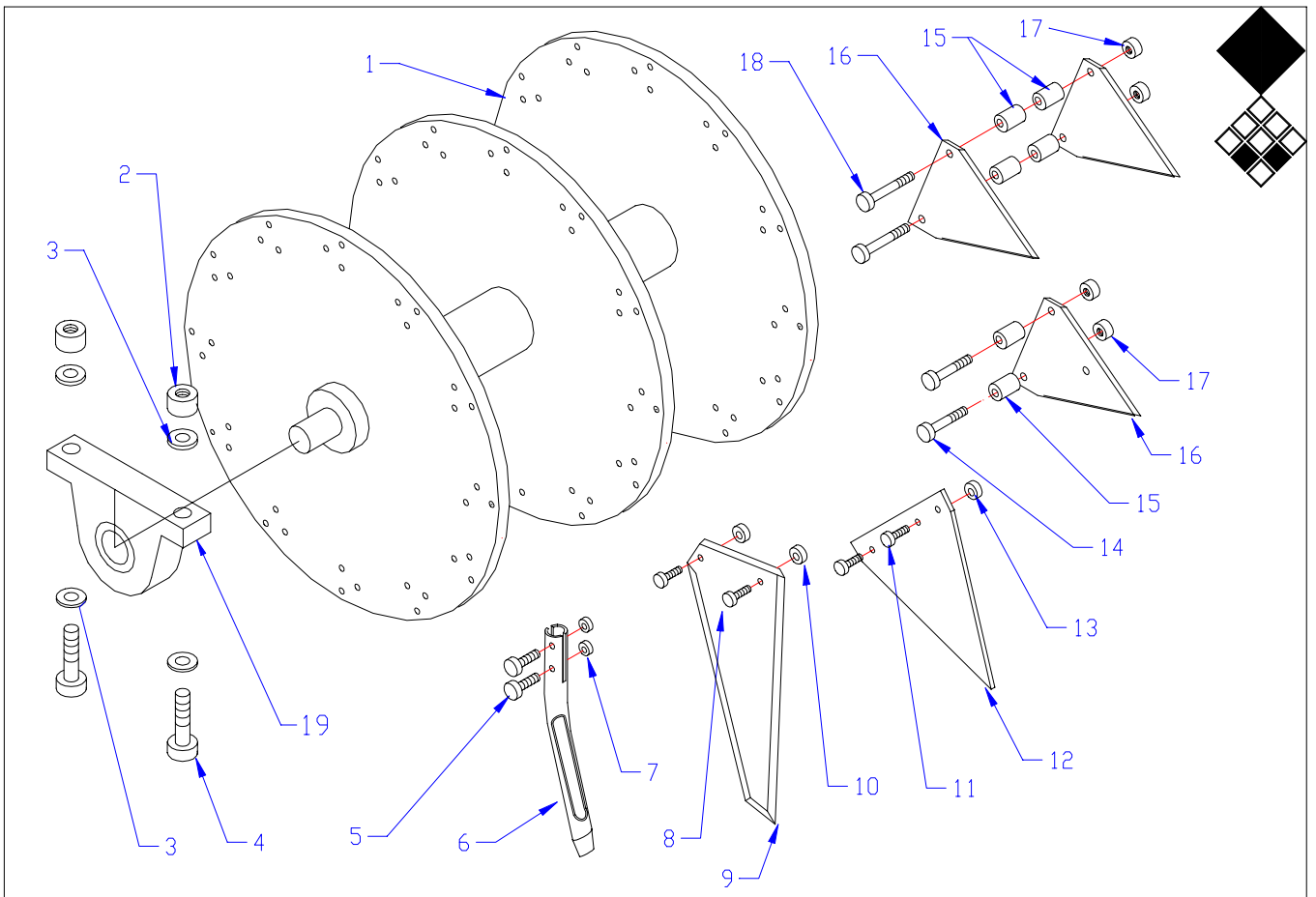


Version: 2201









**Redexim-Charterhouse Level-Spike 1700/ 2200 pag 03 code 0800**

1	494.185.420	Rotor for LS 1700		1
	494.245.420	Rotor for LS 2200		
2	830.140.140	Self lock nut M14		4
3	864.140.030	Washer 14		8
4	804.140.550	Bolt M14 x 55		4
5	804.100.400	Bolt M10 x 40		
6	311.228.250	Hollow tine for SP		
7	830.100.100	Self lock nut M10		
8	804.100.250	Bolt M10 x 25		
9	311.305.300	Deep slit knife		
	311.305.302	Twist deep slit knife		
10	830.100.100	Self lock nut M10		
11	804.100.250	Bolt M10 x 25		
12	311.303.290	Truckster knife		
13	830.100.100	Self lock nut M10		
14	804.100.550	Bolt M10 x 55		
15	406.110.320	Bush		
16	311.302.160	Fine slit knife		
17	830.100.100	Self lock nut M10		
18	804.100.900	Bolt M10 x 90		
19	743.300.420	Complete bearing block		2
	213.170.004	Ttruckster knife kit (48)	For LS 1700	
	213.170.006	Additional truckster knife kit (24)	For LS 1700	
	213.170.008	Fine slit knife kit (264)	For LS 1700	
	213.170.010	Standard Deep slit knife kit (48)	Standard delivered with LS 1700	
	213.170.012	Additional deep slit knife kit (24)	For LS 1700	
	213.170.014	Hollow tine kit (72)	For LS 1700	
	213.170.016	Twist deep slit knife kit (48)	For LS 1700	
	213.170.018	Additional twist deep knife kit (24)	For LS 1700	
	213.220.004	Truckster knife kit (64)	For LS 2200	
	213.220.006	Additional truckster knife kit (32)	For LS 2200	
	213.220.008	Fine slit knife kit (360)	For LS 2200	
	213.220.010	Standard Deep slit knife kit (64)	Standard delivered with LS 2200	
	213.220.012	Additional deep slit knife kit (32)	For LS 2200	
	213.220.014	Hollow tine kit (96)	For LS 2200	
	213.220.018	Twist deep slit knife kit (64)	For LS 2200	
	213.220.020	Additional twist deep knife kit (32)	For LS 2200	

