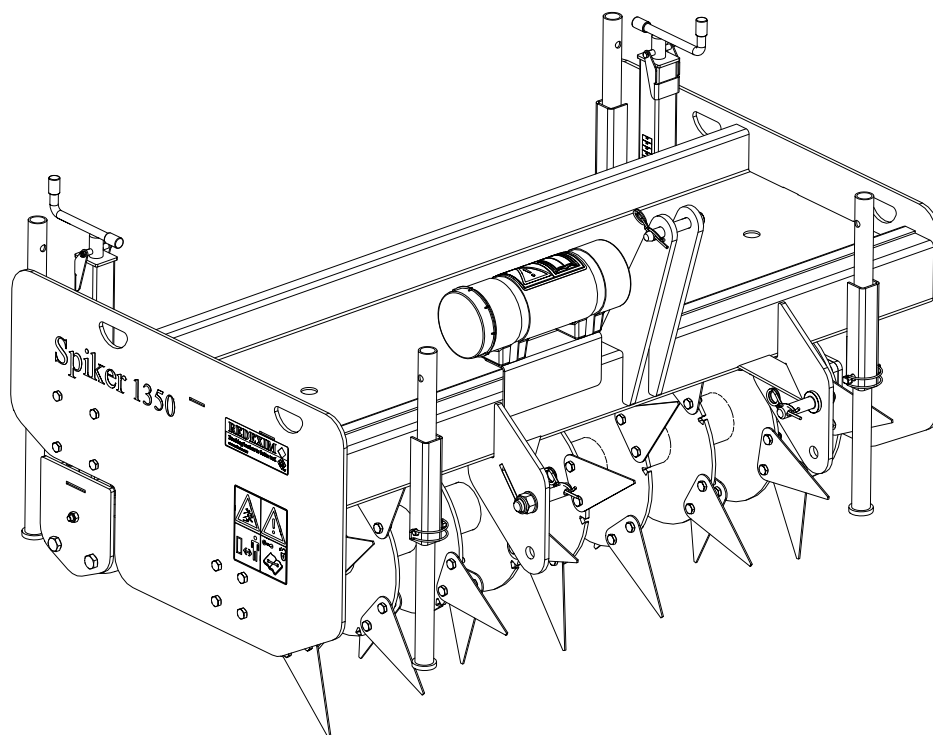


Parts manual

Redexim

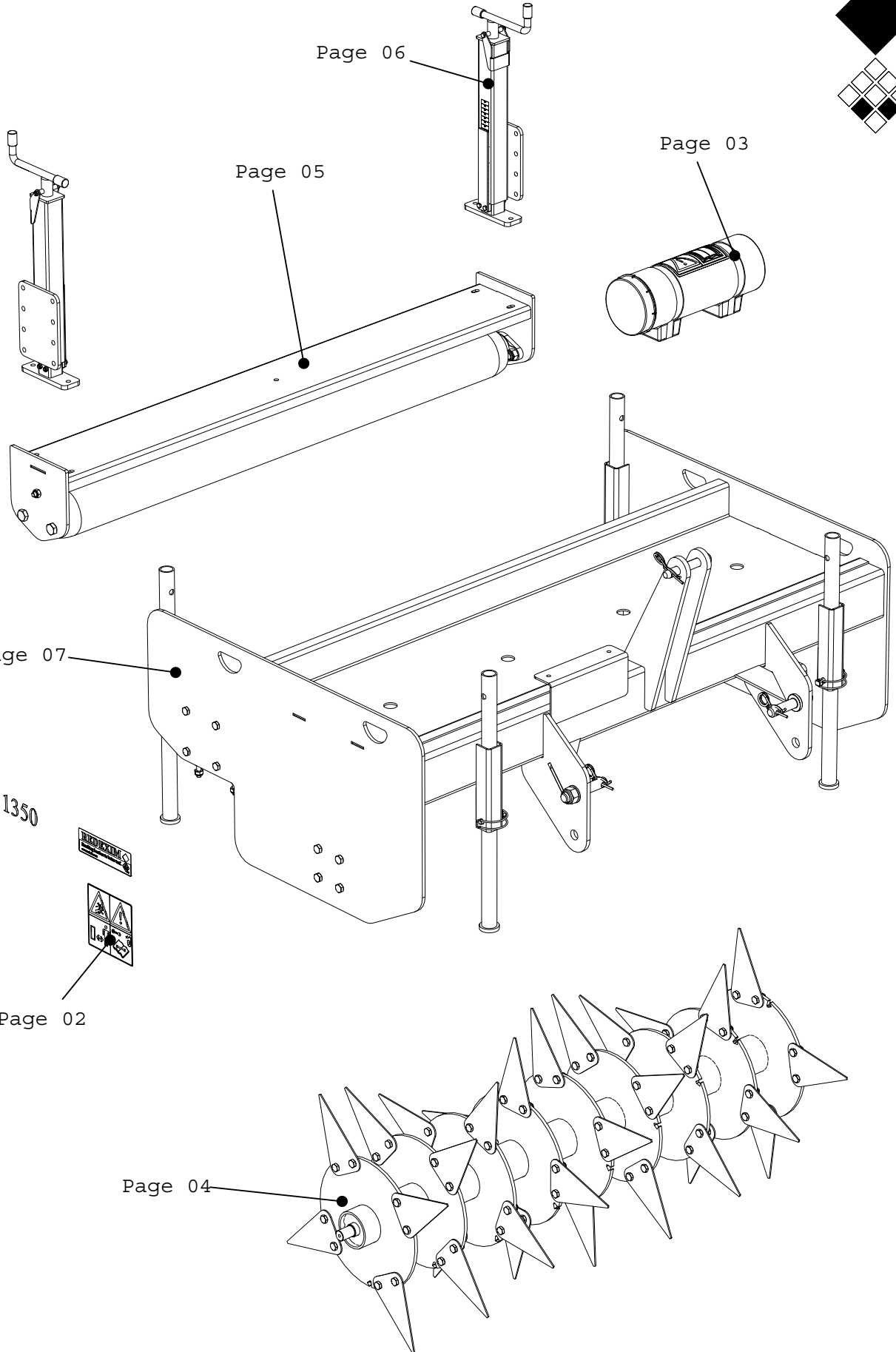
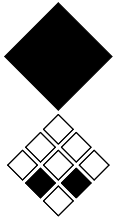


Spiker 1350



From serial number:

REDEXIM
Kwekerijweg 8
3709JA - Zeist - The Netherlands
T: +31 (0)306 933 227
E: verti-drain@redexim.com
www.redexim.com



Page 06

Page 05

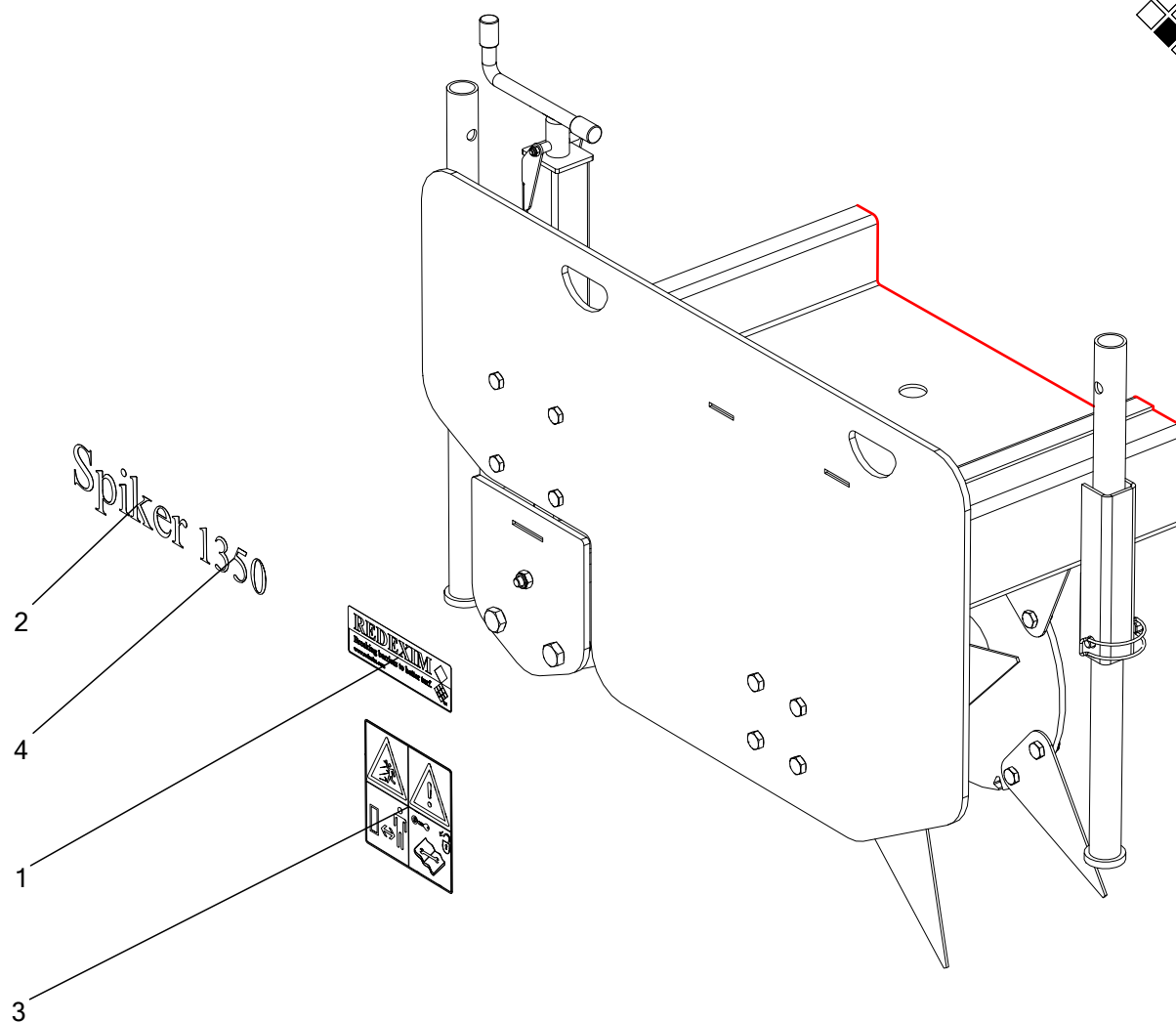
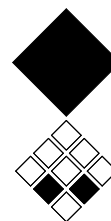
Page 03

Page 07

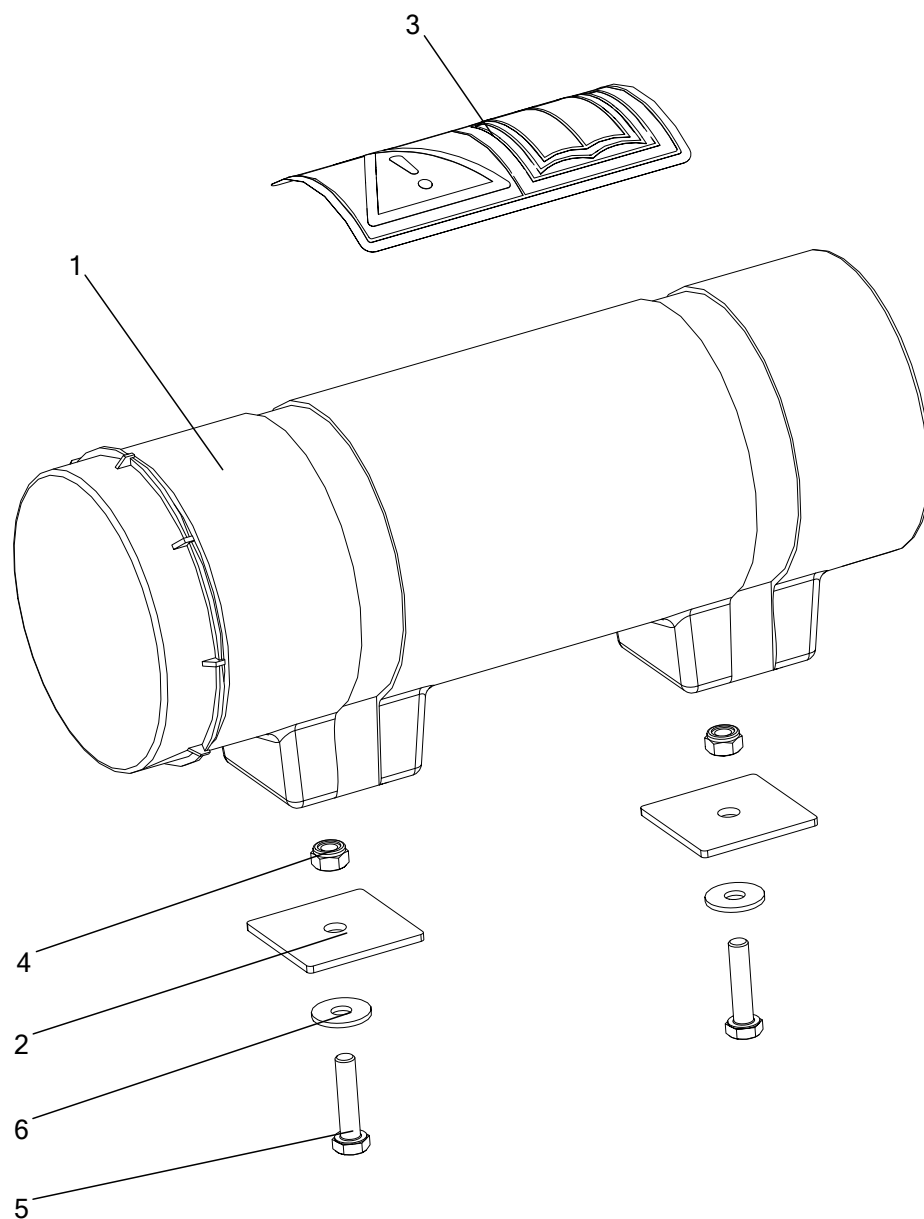
Spiker 1350

Page 02

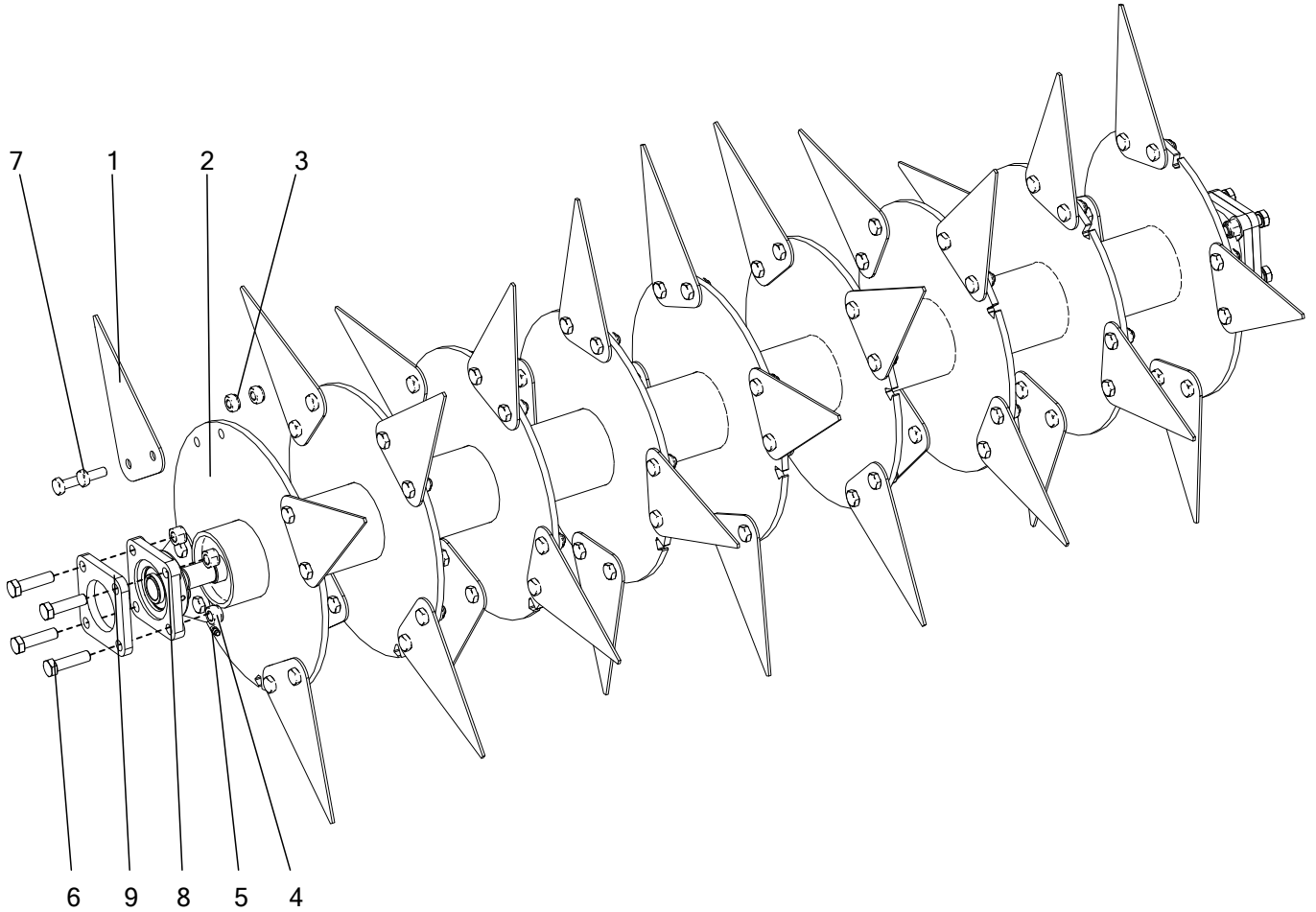
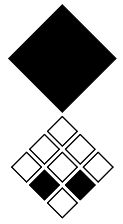
Page 04



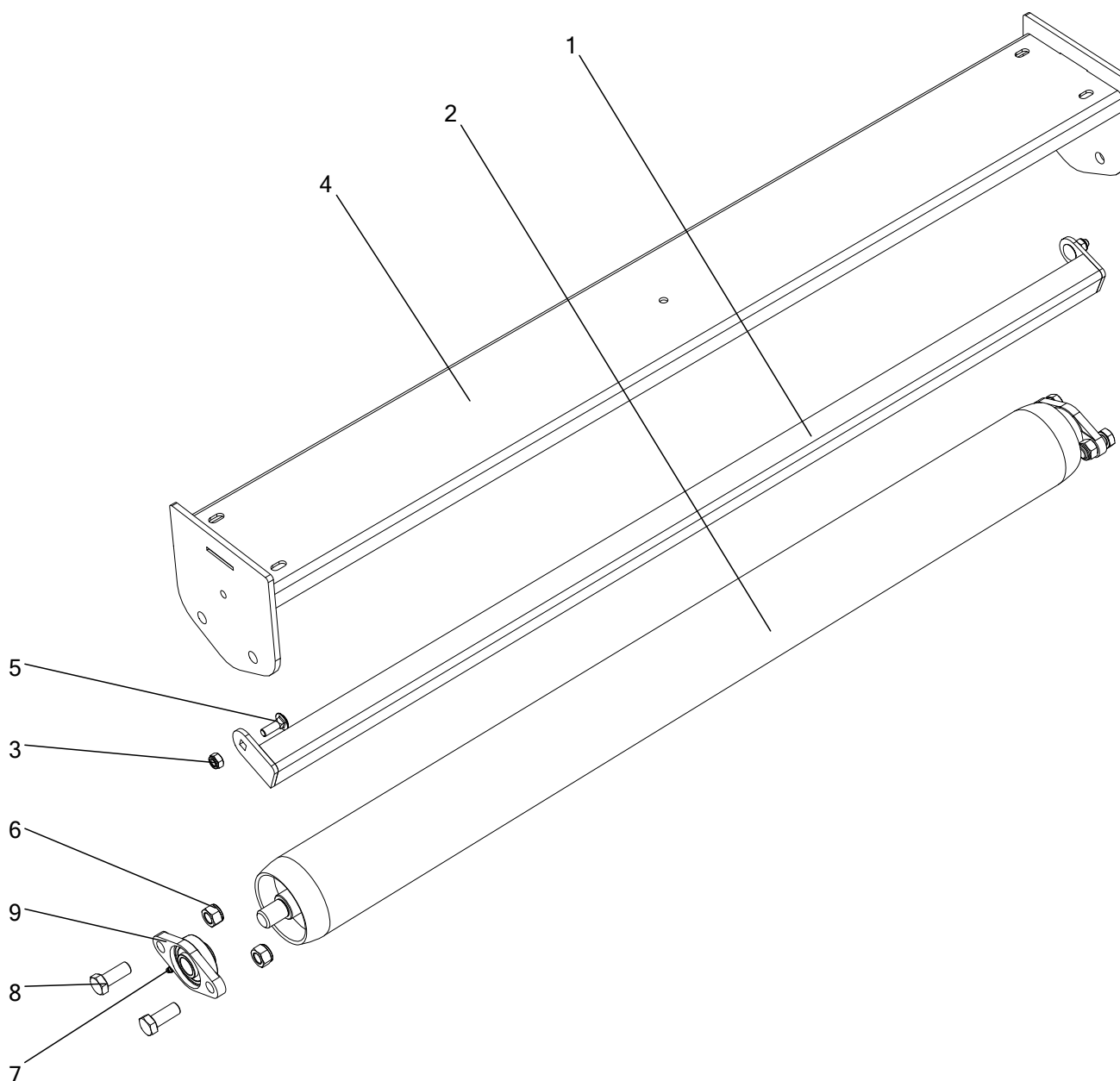
Item	PartNo.	Description	Remarks	Qty
1	900.260.403	Logo Label	.	2
2	913.260.405	Decall Spiker		2
3	933.280.402	Safety decall		2
4	941.260.405	Label 1350		2



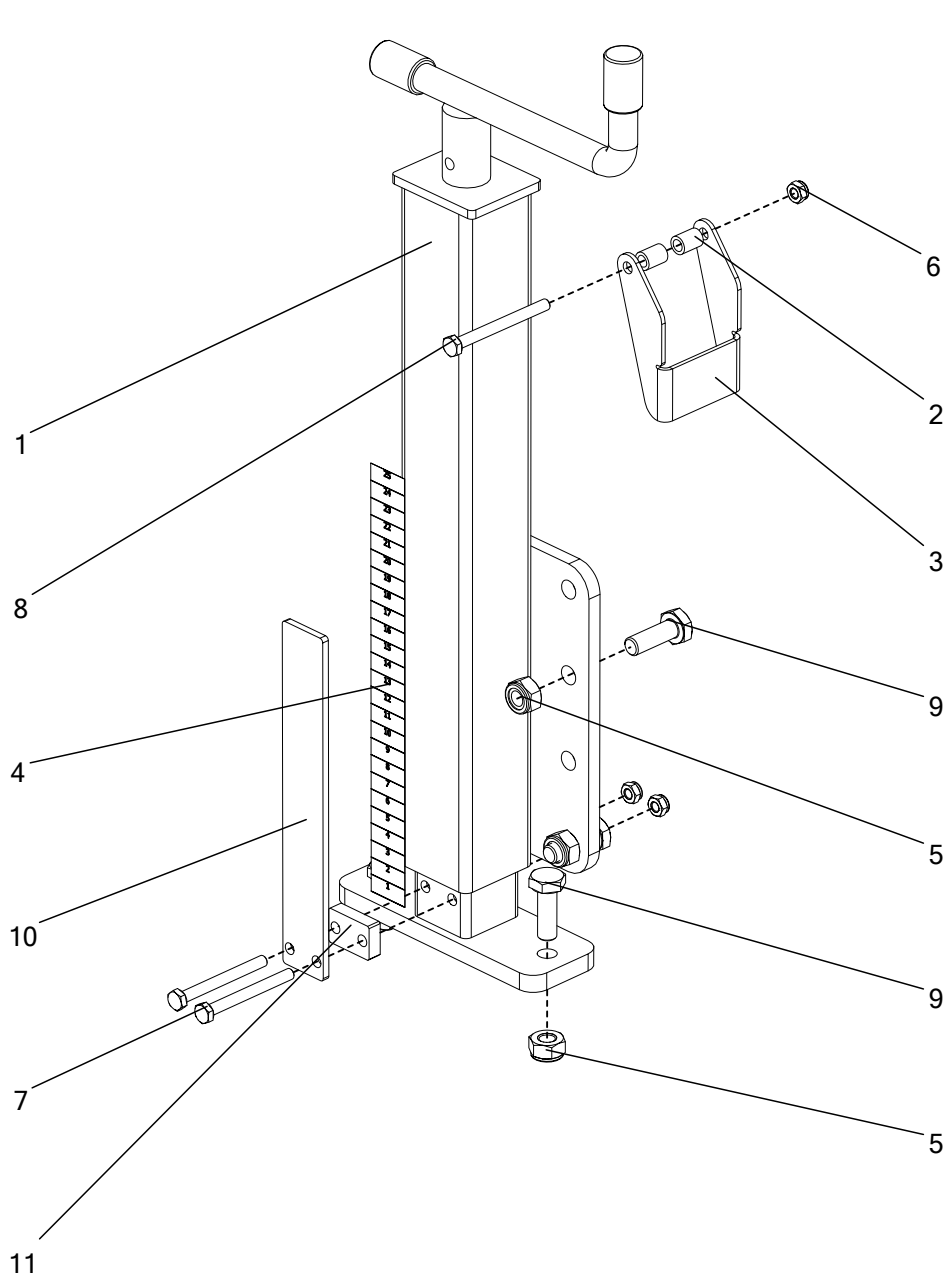
Item	PartNo.	Description	Remarks	Qty
1	444.803.100	Toolbox Complete	.	1
2	468.030.530	Toolbox contraplate		2
3	900.280.402	Safety decall manual	.	1
4	830.080.080	Self Lock Nut M8 - ISO 10511		2
5	804.080.350	Bolt M8 x 35 - ISO 4017		2
6	864.080.024	Large washer M8 - DIN 9021		2



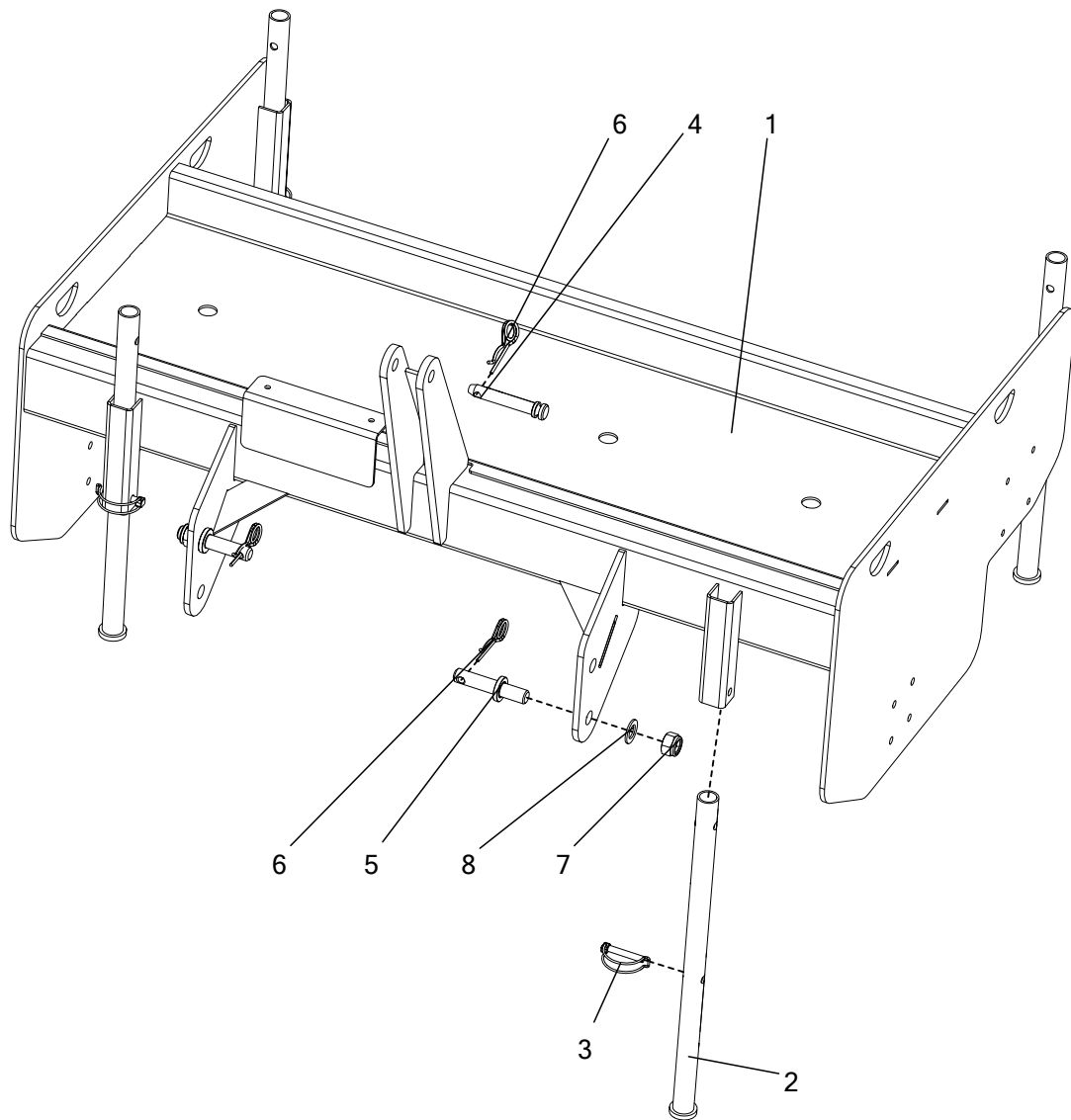
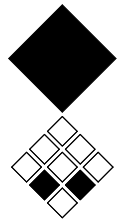
Item	PartNo.	Description	Remarks	Qty
1	311.303.208	Slitting knife	.	36
2	488.315.137	Rotor		1
3	830.100.100	Self Lock Nut M10 - ISO 10511		72
4	830.120.120	Self Lock Nut M12 - ISO 10511		8
5	880.060.100	Grease nipple M6 DIN 71412A	.	2
6	802.120.450	Bolt M12 x 45 ISO 4014		8
7	804.100.250	Bolt M10 x 25 - ISO 4017		72
8	741.250.360	Bearing UCF 205	.	2
9	468.100.950	Fill plate		2



Item	PartNo.	Description	Remarks	Qty
1	470.049.140	Scraper	.	1
2	488.114.134	Rear roller	.	1
3	830.100.100	Self Lock Nut M10 - ISO 10511		2
4	494.141.019	frame rear roller		1
5	820.100.300	MH Bolt M10 x 30 ISO 8677		2
6	830.160.160	Self Lock Nut M16 - ISO 10511		4
7	880.060.100	Grease nipple M6 DIN 71412A	.	2
8	804.160.400	Bolt M16 x 40 - ISO 4017		4
9	742.250.360	Bearing UCFL 205	.	2



Item	PartNo.	Description	Remarks	Qty
1	460.500.500	Jack 50x50 stroke 150	.	2
2	402.070.140	Distance Bush	.	4
3	468.031.180	Lock Plate	.	2
4	900.260.414	Decall Ruler		2
5	830.100.100	Self Lock Nut M10 - ISO 10511		12
6	830.060.060	Self Lock Nut M6 - ISO 10511		6
7	802.060.600	Bolt M6 x 60 - ISO 4014		4
8	802.060.650	Bolt M6 x 65 - ISO 4014		2
9	804.100.300	Bolt M10 x 30 - ISO 4017		12
10	464.042.002	Height indicator strip	.	2
11	464.080.300	Distance Block	.	2



Item	PartNo.	Description	Remarks	Qty
1	494.141.096	Base frame	.	1
2	474.336.280	Leg	.	4
3	523.100.700	Pipe lynch pin 10	.	4
4	521.191.120	Top Link Pin	.	1
5	2490881	Bottom 3-Point Pin	.	2
6	523.051.000	R-clip Round 5, DIN 11024	.	3
7	830.220.220	Self Lock Nut M22 - ISO 10511		2
8	864.220.030	Washer M22 - ISO 7089		2