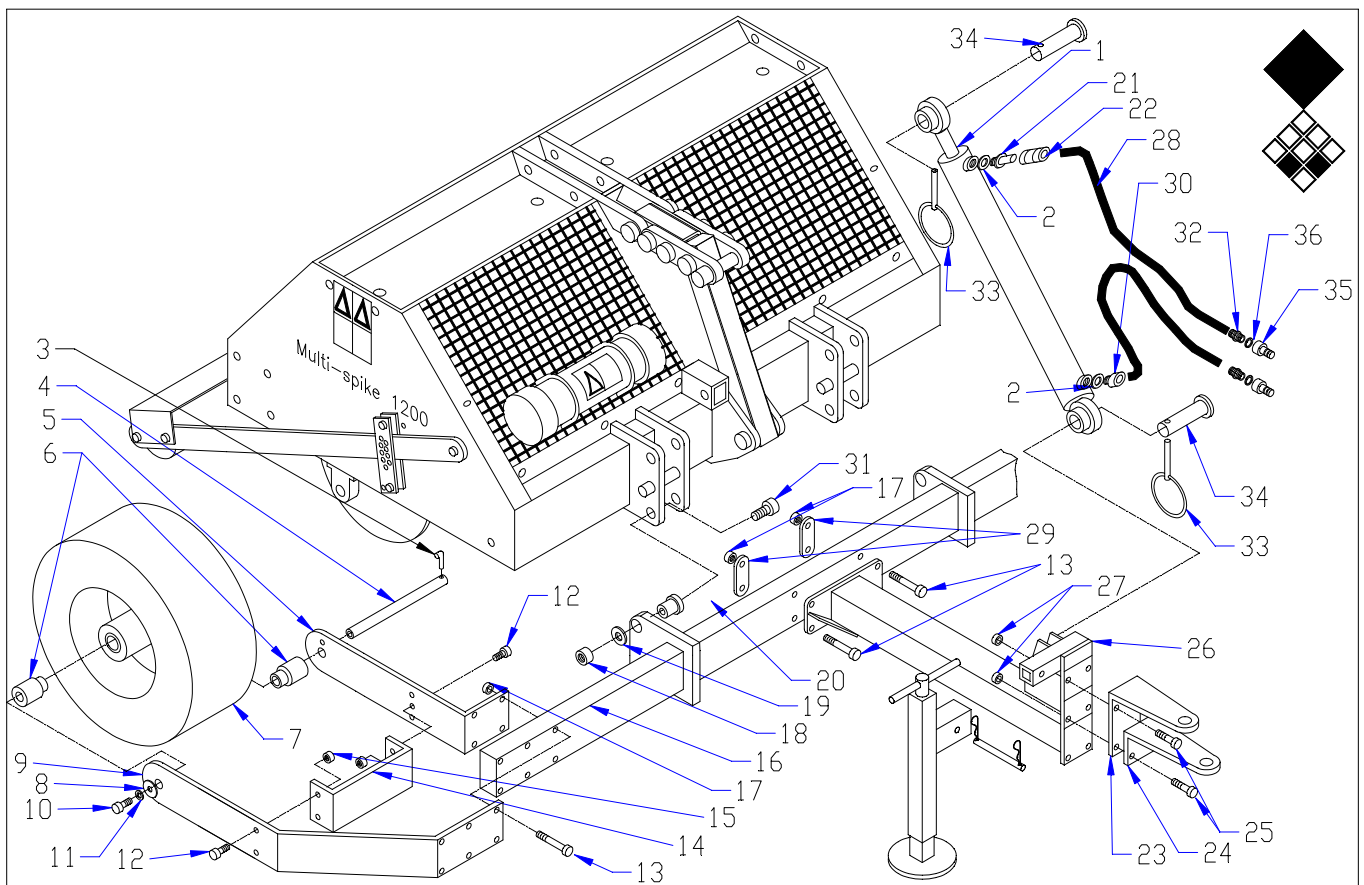


Parts manual





Redexim-Charterhouse Multi-Spike 1200 pag 05 code 1202
Wheelkit for spiker 1200 part no. 213.120.016

	PART #	DESCRIPTION	REMARKS	QUA
1	534.505.460	Hydraulic cylinder		1
2	874.170.020	Copper washer G3/8"		2
3	424.060.480	Lock pin		2
4	416.252.940	Wheel shaft		2
5	464.106.170	Wheel support strip short		2
6	404.250.700	Distance bush wheel		4
7	511.542.236	Wheel		2
8	864.120.031	Large washer M12 x 35		2
9	464.106.870	Wheel support strip long		2
10	804.120.300	Bolt M12 x 30		2
11	866.120.020	Spring washer M12		2
12	802.120.350	Bolt M12 x 35		8
13	802.161.000	Bolt M16 x 100		16
14	464.102.650	U bridge		2
15	830.120.120	Self lock nut M12		8
16	474.609.169	Main beam		1
17	830.160.160	Self lock nut M16		16
18	830.200.200	Self lock nut M20		2
19	864.200.041	Large washer M x 35		2
20	404.200.200	Pivot bush wheel frame		2
21	543.170.410	Flow reducer		1
22	544.121.120	Straight olive connector 12 mm		1
23	464.123.020	Draw bar plate long		1
24	464.122.900	Draw bar plate short		1
25	802.100.450	Bolt M10 x 45		4
26	474.606.690	Draw bar		1
27	830.100.100	Self lock nut M10		4
28	541.171.500	Hose		2
29	464.101.000	Support strip		2
30	544.170.430	Straight connector olive 12 x male 3/8"		1
31	802.200.600	Bolt M20 x 60		2
32	543.170.210	Straight connector 3/8 x 1/2"		2
33	523.100.570	Linch pin D10		2
34	521.191.120	Pin D19 L=73		2
35	545.210.800	Quick connector		2
36	874.210.020	Copper washer G1/2"		2