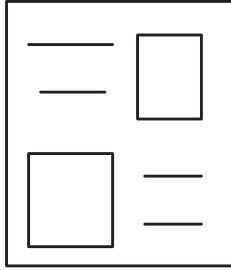
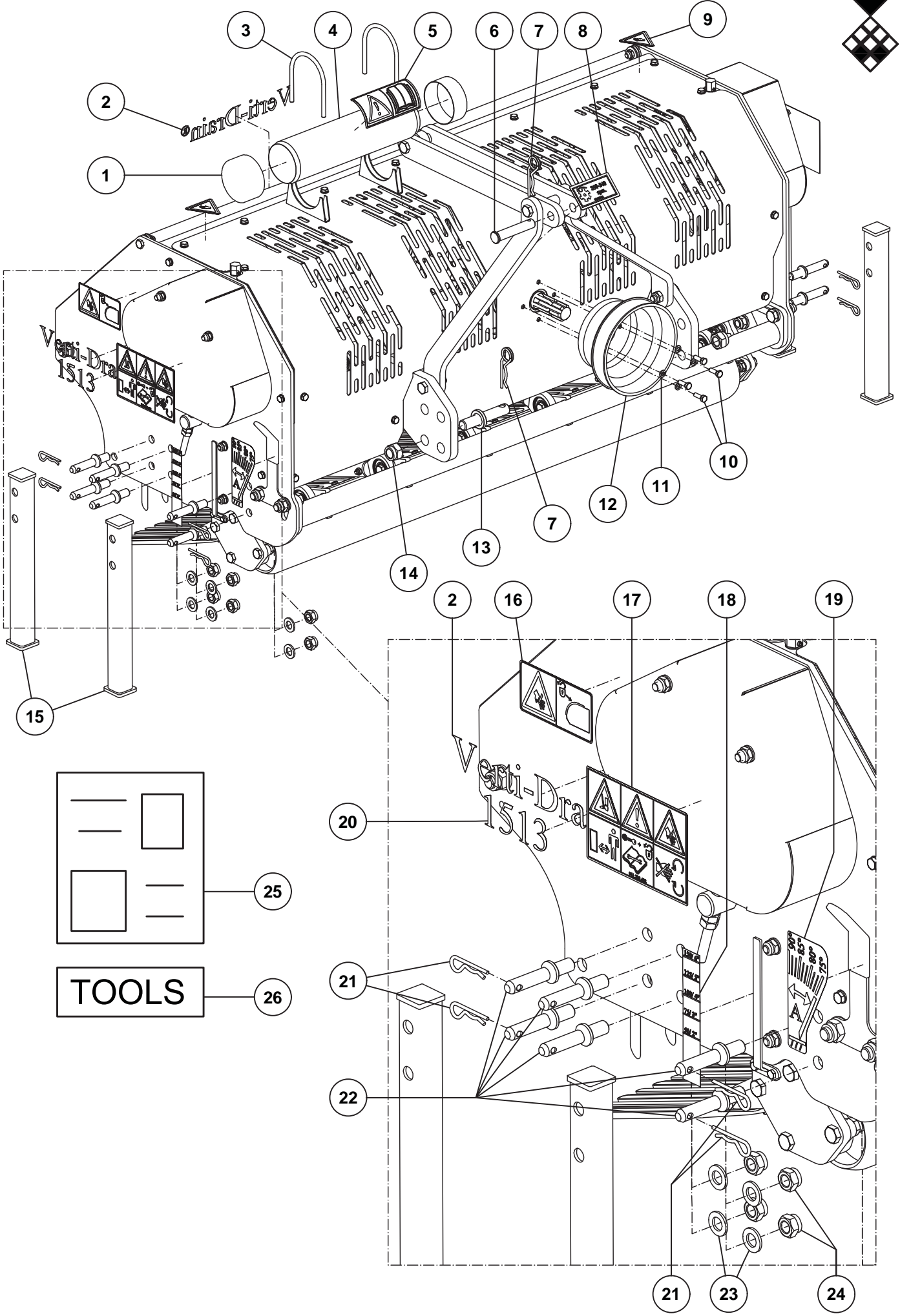


Parts manual





TOOLS

25

26

21

23

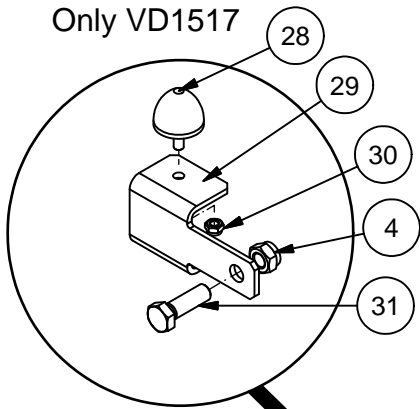
24

Redexim Verti-Drain 1513/1517 Pag 01 Code 1236

	PART #	DESCRIPTION	REMARKS	QUA
1	991.140.600	Cover Toolbox		2
2	911.260.402	Label Verti-Drain		3
3	848.901.200	U-Bolt Complete		2
4	991.143.400	Manual/Toolbox Empty		1
5	900.280.402	Safety Decall Manual		1
6	2490825	Top Link Pin		1
7	523.051.000	R-Clip Round 5, DIN 11024		3
8	900.260.422	Decall PTO 350 540		1
9	900.280.404	Cut off fingers		2
10	804.080.250	Bolt DIN 933 - M8 x 25		4
11	866.080.021	Spring washer DIN 127 - M8		4
12	110282	Protection Cover PTO		1
13	2490881	Bottom 3-Point Pin		2
14	830.220.220	SL Nut DIN 985 - M22		4
15	460.504.000	Storage Leg		4
16	911.280.404	Close Cover		2
17	911.280.402	Safety decall VD		2
18	900.260.406	Height label 150		2
19	911.340.416	Angle Setting Label VD215.013		1
20	911.260.444	Label 1513	Only for 1513	2
	911.260.445	Label 1517	Only for 1517	2
21	523.040.700	R-Pin Ø4, DIN 11024		8
22	521.161.050	Pin Ø16		12
23	864.160.030	Washer DIN 125 - M16		12
24	830.160.160	SL Nut DIN 985 - M16		12
25	468.083.060	Toolset		1
26	911.120.204	Manual Verti-Drain 1513/1517		1

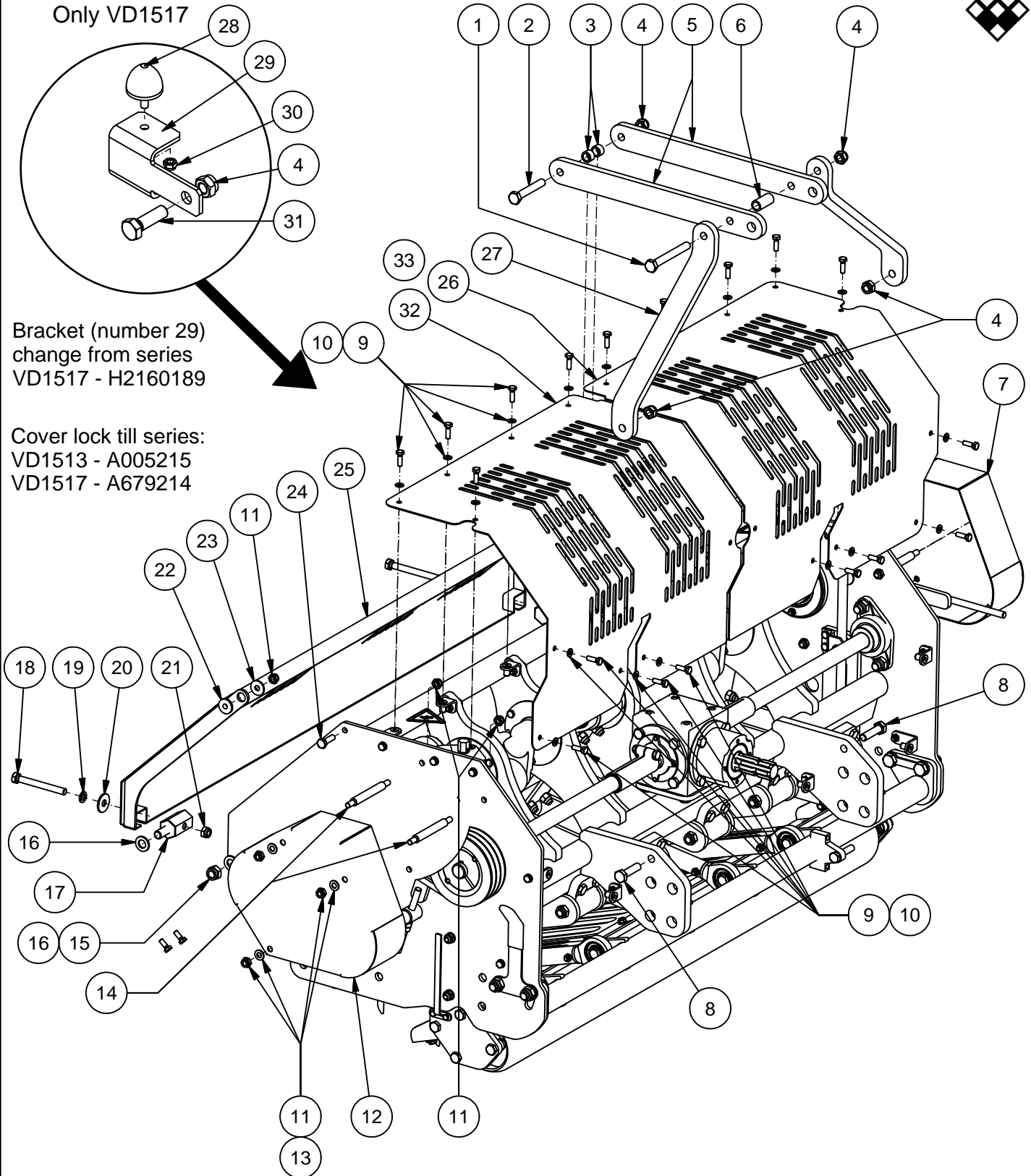


Only VD1517



Bracket (number 29)
change from series
VD1517 - H2160189

Cover lock till series:
VD1513 - A005215
VD1517 - A679214

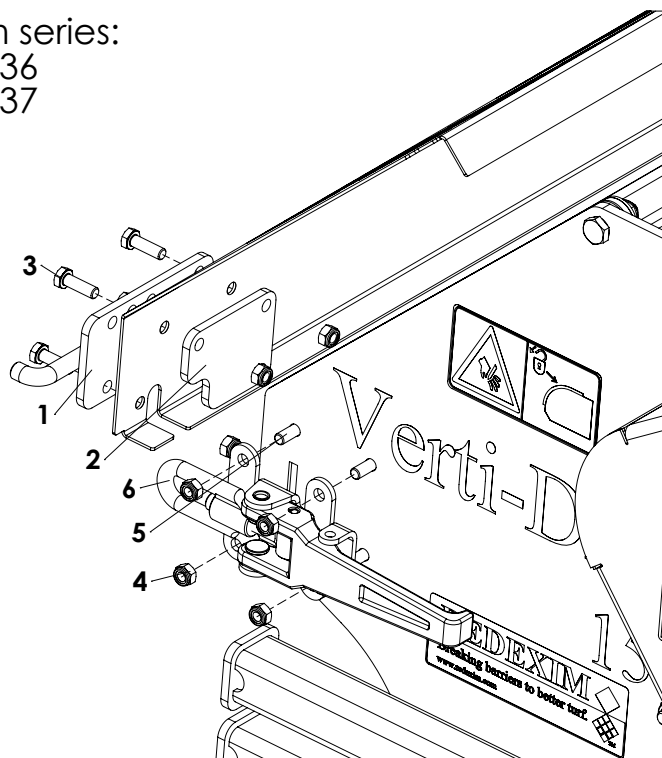


Redexim Verti-Drain 1513/1517 Pag 02 Code 1629

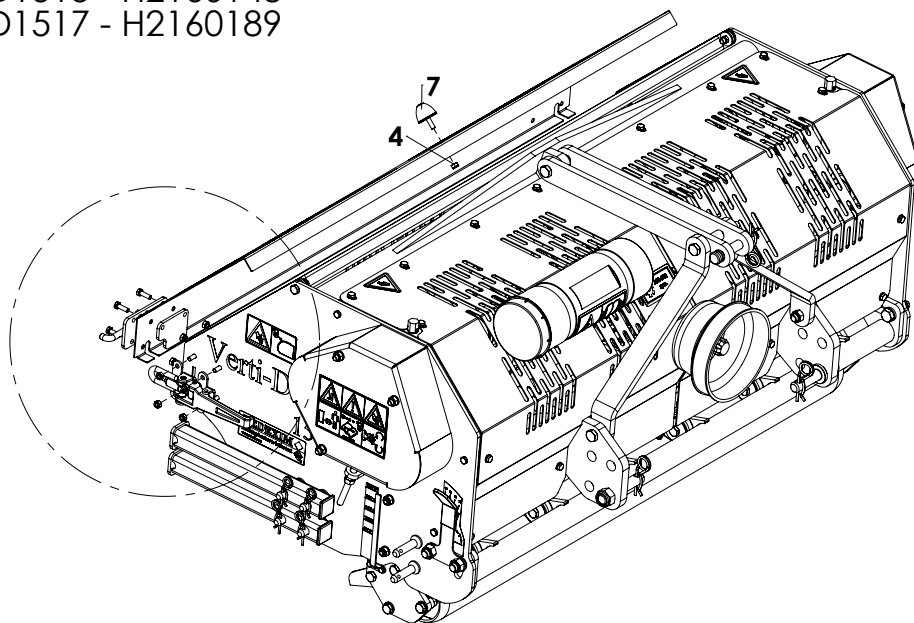
	PART #	DESCRIPTION	REMARKS	QUA
1	802.141.200	Bolt DIN 931-1 - M14 x 120		1
2	802.140.900	Bolt DIN 931-1 - M14 x 90		1
3	406.150.130	Distance Bush Ø21/Ø15.2, L= 12.5		2
4	830.140.140	SL Nut DIN 985 - M14		5
5	464.154.950	Top Linkage Strip		2
6	402.150.450	Distance Bush Ø21/Ø15.2, L= 45		1
7	456.035.028	Left Side Cover		1
8	802.140.550	Bolt DIN 931-1 - M14 x 55		2
9	804.080.250	Bolt DIN 933 - M8 x 25		18
10	864.080.030	Washer DIN 125 - M8		18
11	830.100.100	SL Nut DIN 985 - M10		14
12	456.035.029	Right Side Cover		1
13	864.100.030	Washer DIN 125 - M10		6
14	472.151.400	Stud		6
15	830.160.160	SL Nut DIN 985 - M16		2
16	864.160.030	Washer DIN 125 - M16		4
17	472.380.800	Cover Lock Nut		2
18	804.121.100	Bolt DIN 933 - M12 x 110		2
19	866.120.021	Spring washer DIN 127 - M12		2
20	864.120.031	Large Washer DIN 9021 - M12		2
21	830.120.120	SL Nut DIN 985 - M12		2
22	404.100.100	Pivot Bush Cover		2
23	864.100.031	Large Washer DIN 9021 - M10		2
24	804.100.350	Bolt DIN 933 - M10 x 35		2
25	456.035.133	Cover	Only for VD1513	1
	456.035.177	Cover	Only for VD1517	1
26	468.021.342	Top Cover Left	Only for VD1513	1
	468.021.772	Top Cover Left	Only for VD1517	1
27	464.154.810	3 Point Linkage Strip		2
28	446.080.550	Rubber stop	Only for VD1517	1
29	468.041.330	Rear cover bracket	Only for VD1517 (Old nr: 468.051.402)	1
30	830.080.080	SI Nut DIN 985 - M8	Only for VD1517	1
31	804.140.450	Bolt DIN 933 - M14x45	Only for VD1517	1
32	468.021.344	Top Cover Right	Only for VD1513	1
	468.021.774	Top Cover Right	Only for VD1517	1
33	468.021.340	Top Cover Complete	Only for VD1513 (Left+Right cover)	1
	468.021.770	Top Cover Complete	Only for VD1517 (Left+Right cover)	1



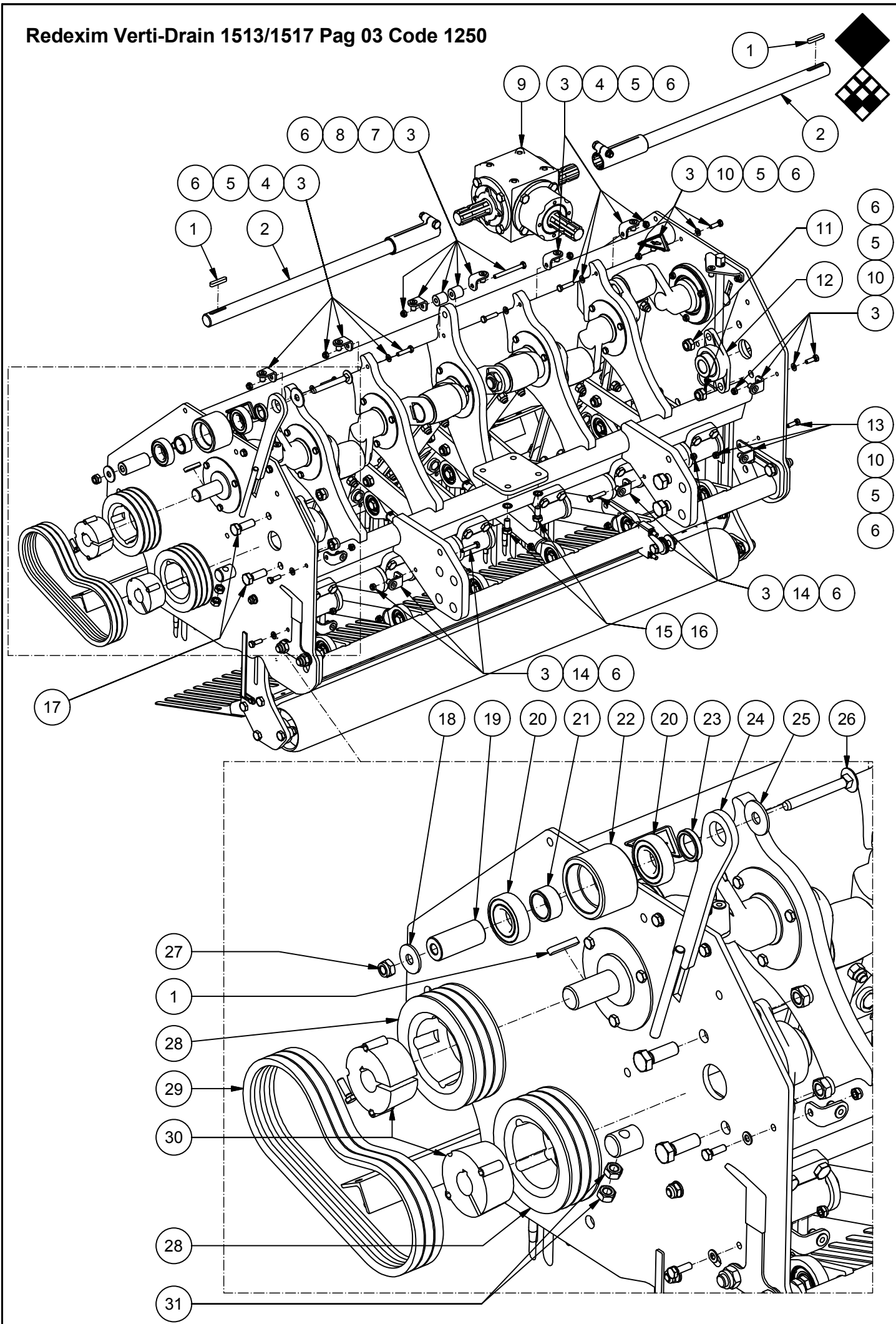
Cover lock from series:
VD1513 - H215036
VD1517 - H215037



Rubber stop from series:
VD1513 - H2160148
VD1517 - H2160189

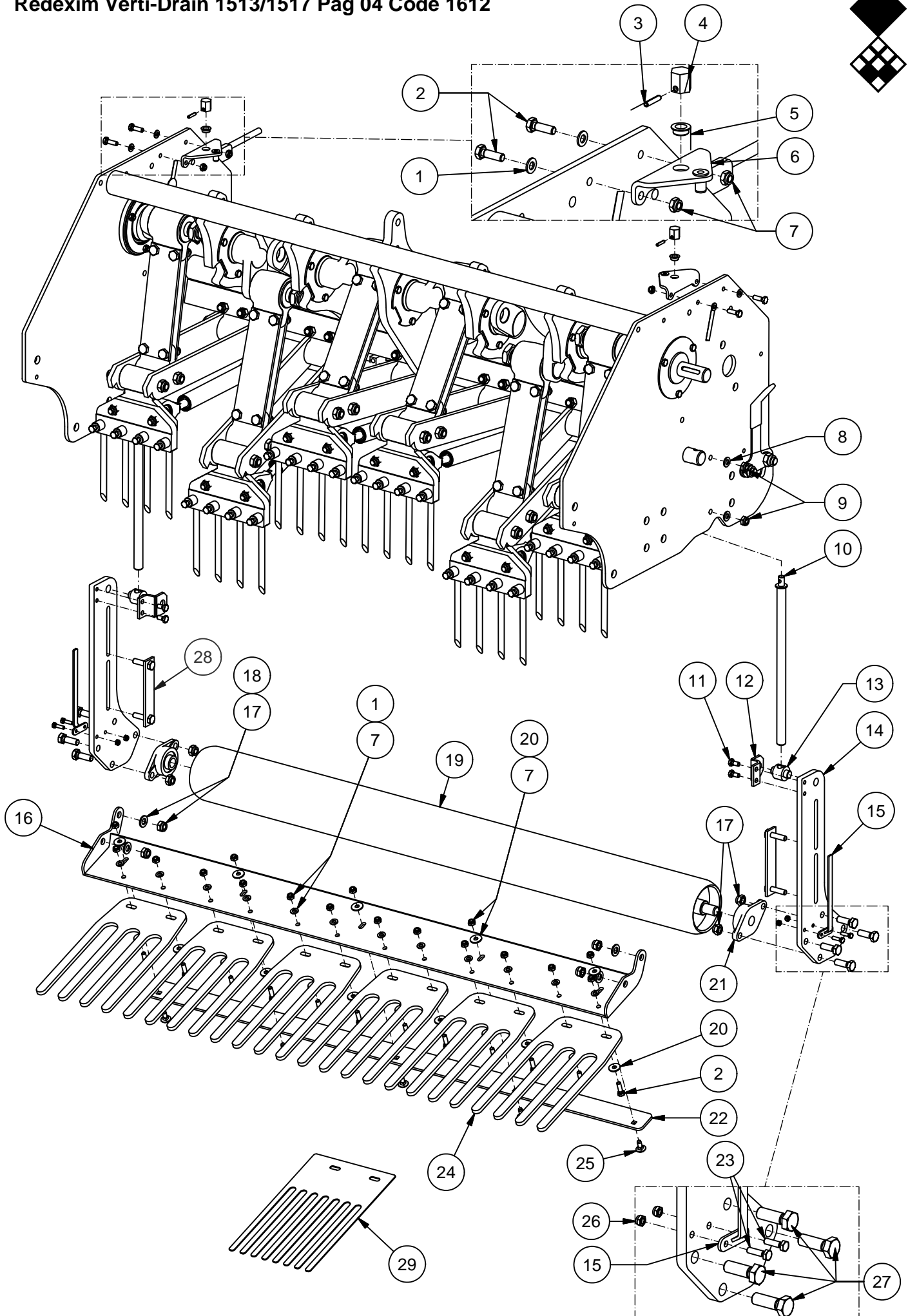


ITEM	PART NUMBER	DESCRIPTION	REMARKS	QUA
1	470.061.710	Lock plate		2
2	468.060.902	Rear plate		2
3	804.080.250	Bolt M8 x 25 - ISO 4017		8
4	830.080.080	Self Lock Nut M8 - ISO 10511		16
5	816.080.250	Bolt M8x25 DIN 7991		8
6	590.342.700	Clamp		2
7	446.080.550	Rubber stop		1



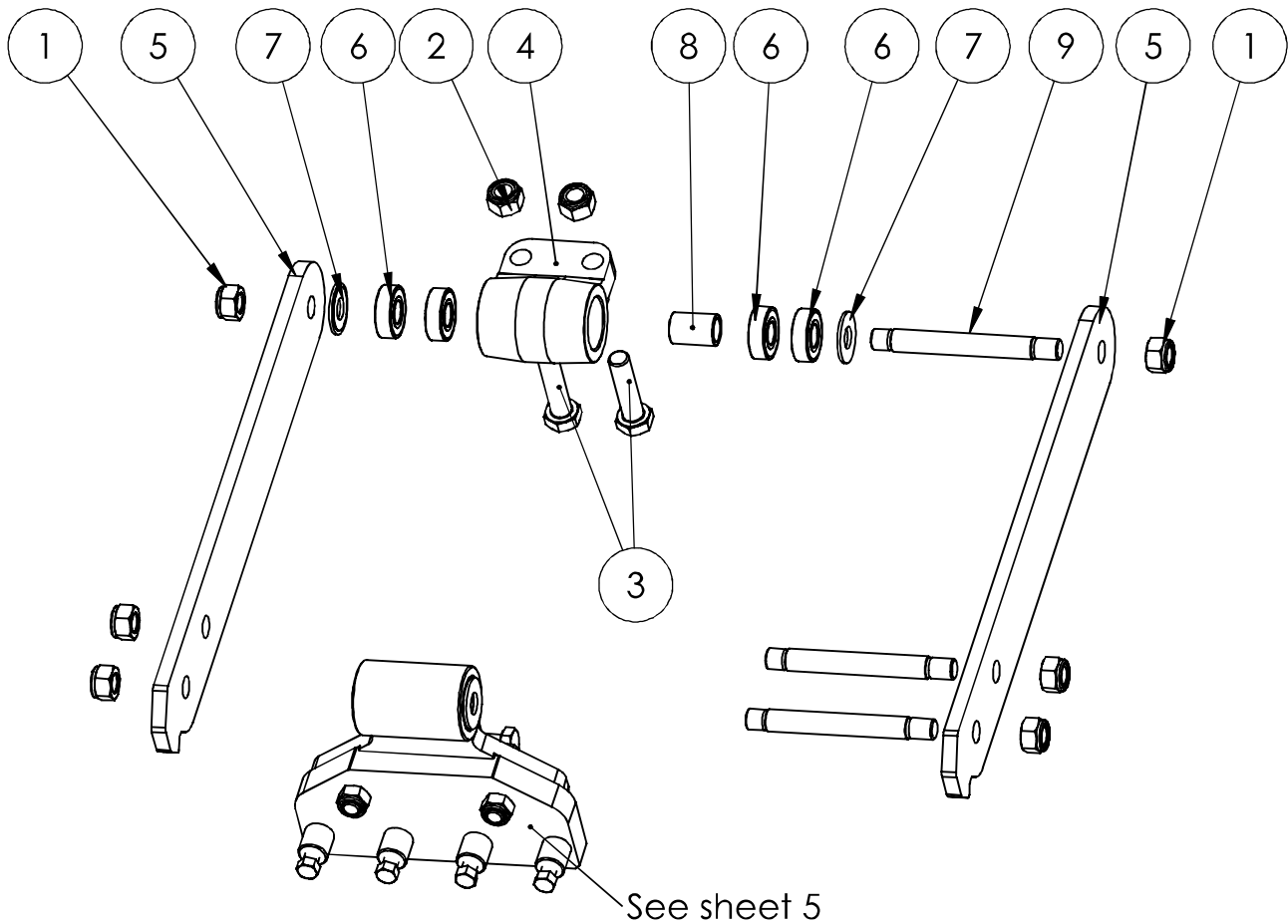
Redexim Verti-Drain 1513/1517 Pag 03 Code 1250

	PART #	DESCRIPTION	REMARKS	VD1513	VD1517
1	884.080.450	Key DIN 6885 - A 8 x 7 x 45		4	4
2	474.306.600	Welding Assembly Drive Shaft		2	0
	474.309.110	Welding Assembly Drive Shaft		0	2
3	464.040.430	Bracket		14	14
4	802.080.350	Bolt DIN 931-1 - M8 x 35		4	4
5	864.080.030	Washer DIN 125 - M8		10	10
6	830.080.080	SL Nut DIN 985 - M8		13	13
7	406.090.250	Distance Bush Ø25/Ø9, L= 25		2	2
8	802.080.800	Bolt DIN 931-1 - M8 x 80		1	1
9	622.144.340	Gearbox T19A		1	1
10	804.080.250	Bolt DIN 933 - M8 x 25		4	4
11	830.160.160	SL Nut DIN 985 - M16		4	4
12	742.300.480	Bearing UELFL 206		2	2
13	464.040.600	Bracket		2	2
14	802.080.400	Bolt DIN 931-1 - M8 x 40		2	2
15	804.120.250	Bolt DIN 933 - M12 x 25		4	4
16	866.120.020	Serrated Lock Washer		4	4
17	804.160.450	Bolt DIN 933 - M16 x 45		4	4
18	864.120.031	Large Washer DIN 9021 - 13		2	2
19	402.130.670	Bush Ø30 / Ø12.5, L= 69	Only VD1513	2	0
	402.130.730	Bush Ø30 / Ø12.5, L=72.5	Only VD1517	0	2
20	713.300.160	Bearing 6206-2RS		4	4
21	406.310.200	Distance Bush Ø40/Ø30.5, L= 20	Only VD1513	2	0
	406.310.230	Distance Bush Ø40/Ø30.5, L= 23	Only VD1517	0	2
22	428.550.800	Idler	Only VD1513	2	0
	428.700.800	Idler	Only VD1517	0	2
23	406.310.060	Distance Bush Ø40 / Ø30.5, L= 8		2	2
24	466.103.750	Weld Assy Tensioner		2	2
25	864.140.031	Large Washer DIN 9021 - M14		2	2
26	820.121.000	MH Bolt DIN 603 - M12 x 100		2	2
27	830.120.120	SL Nut DIN 985 - M12		2	2
28	646.011.400	Pulley SPA 140-3	Only VD1513	4	0
	646.301.400	Pulley SPA 140-4	Only VD1517	0	4
29	642.130.832	V-belt XPA 832		6	8
30	648.302.517	Taperlock 2517 - 30mm		4	4
31	826.120.120	Nut DIN 934 - M12		4	4



Redexim Verti-Drain 1513/1517 Pag 04 Code 1612

	PART #	DESCRIPTION	REMARKS	VD1513	VD 1517
1	864.080.030	Washer DIN 125 - M8		16	20
2	804.080.250	Bolt DIN 933 - M8 x 25		16	20
3	878.050.250	Roll Pin ISO 8752 - 5 x 24 A		2	2
4	474.120.210	Spindle Head		2	2
5	404.120.070	Bearing Bush Spindle		2	2
6	464.051.100	Cover Bracket		2	2
7	830.080.080	SL Nut DIN 985 - M8		21	26
8	864.100.030	Washer DIN 125 - M10		4	4
9	830.100.100	SL Nut DIN 985 - M10		4	4
10	426.183.730	Spindle		2	2
11	804.080.160	Bolt DIN 933 - M8 x 16		4	4
12	468.050.720	Spindle nut support		2	2
13	426.300.400	Spindle Nut		2	2
14	464.124.300	Front Roller Support		2	2
15	468.031.810	Height indicator		2	2
16	470.059.130	THD Beam	Only VD1513	1	0
	470.059.172	THD Beam	Only VD1517	0	1
17	830.120.120	SL Nut DIN 985 - M12		8	8
18	864.120.030	Washer DIN 125 - M12		4	4
19	488.114.913	Weld Assy Front / Rear Roller	Only VD1513	1	0
	488.114.917	Weld Assy Front / Rear Roller	Only VD1517	0	1
20	864.080.031	Large Washer DIN 9021 - M8		17	22
21	742.200.330	Bearing UCFL 204		2	2
22	464.059.130	Scraper		1	0
	464.059.170	Scraper		0	1
23	804.060.220	Bolt DIN 933 - M6 x 22		4	4
24	311.508.330	Turf Hold Down Finger	Option	6	8
25	820.080.200	MH Bolt DIN 603 - M8 x 20		5	6
26	830.060.060	SL Nut DIN 985 - M6		4	4
27	804.120.350	Bolt DIN 933 - M12 x 35		8	8
28	466.051.452	Bolt Assy		2	2
29	311.502.325	Turf Hold Down Finger MTH	Option	6	8
	211.215.000	Turf hold down kit complete 1513	item 1,2,7,20 & 24 for all tineholders	1	0
	211.215.008	Turf hold down kit MTH block complete 1513	item 1,2,7,20 & 28 for all tineholders	1	0
	211.215.012	Turf hold down kit complete 1517	item 1,2,7,20 & 24 for all tineholders	0	1
	211.215.014	Turf hold down kit MTH block complete 1517	item 1,2,7,20 & 28 for all tineholders	0	1

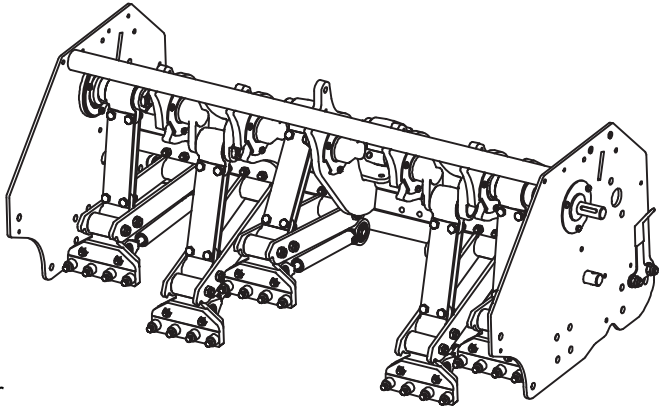
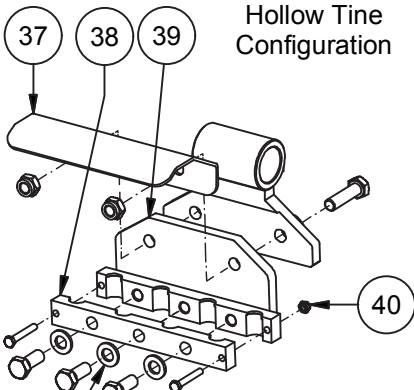


1513 - 6 sets needed
 1517 - 8 sets needed

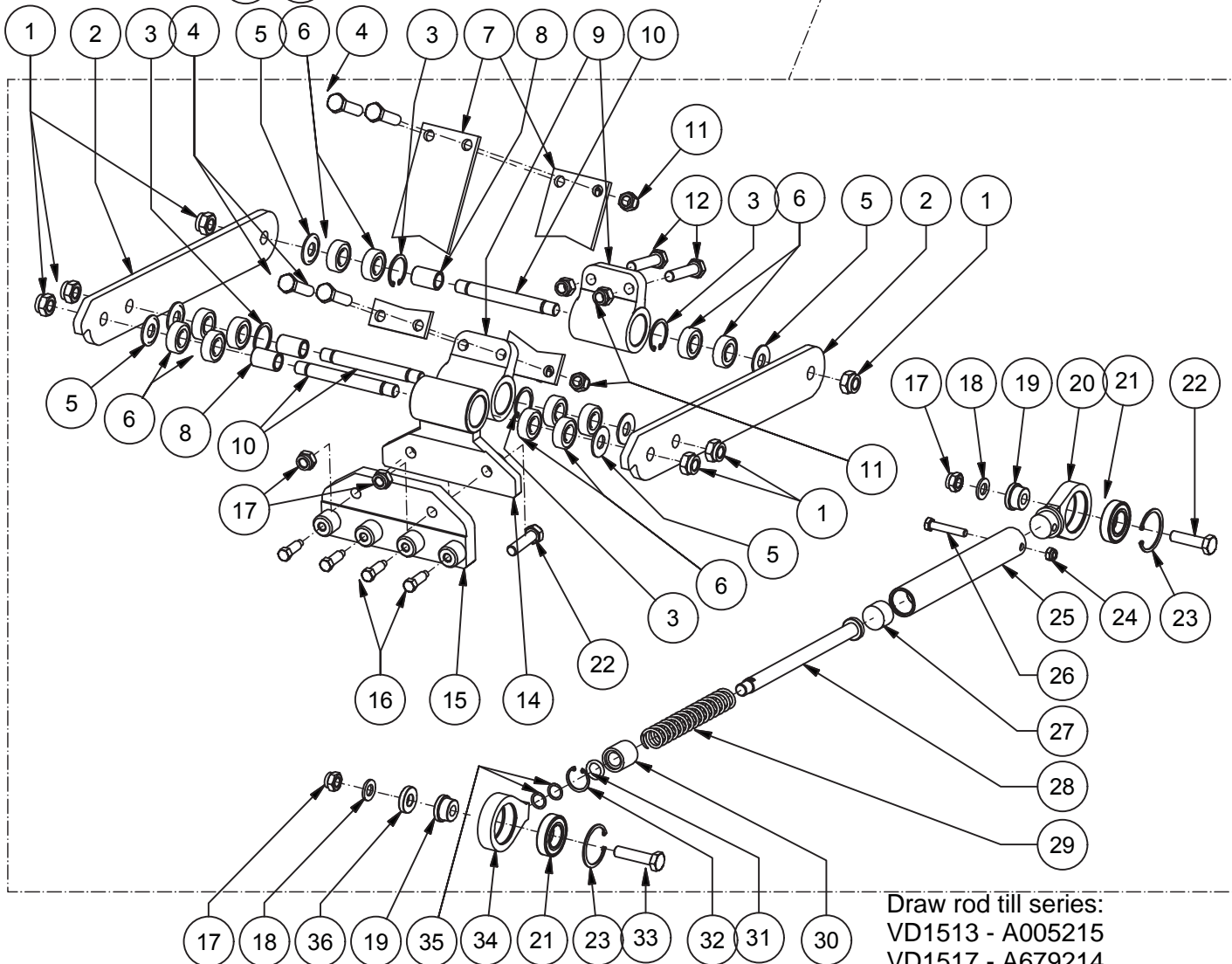
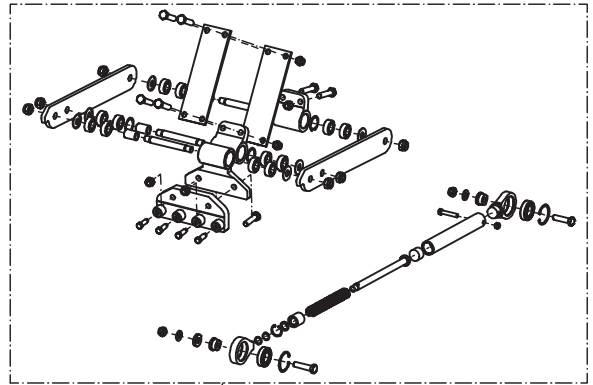
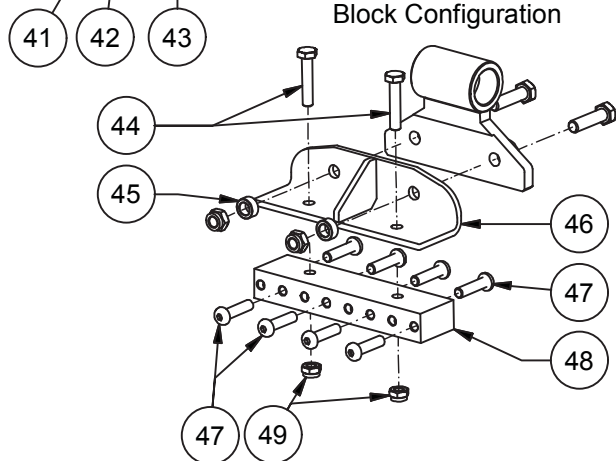
ITEM	PART NUMBER	DESCRIPTION	REMARKS	QUA
1	830.140.140	Self Lock Nut M14 10.9 - ISO 10511		6
2	830.140.140	Self Lock Nut M14 10.9 - ISO 10511	From serial number H220.....	2
	830.120.120	Self Lock Nut M12 10.9 - ISO 10511	Till serial number H220.....	2
3	802.140.550	Bolt M14 x 55 - ISO 4014 - 10.9	From serial number H220.....	2
	802.120.550	Bolt M12 x 55 - ISO 4014 - 10.9	Till serial number H220.....	2
4	448.075.088	Bearing support	From serial number H220.....	1
	2431308	Bearing support	Till serial number H220.....	1
5	464.104.250	Element strip		2
6	713.150.110	Bearing 6202-LLU		4
7	412.150.050	Distance washer		2
8	2601530	Inner bush		1
	2490415	Support axis		3



Hollow Tine Configuration



Multi Tine Holder Block Configuration



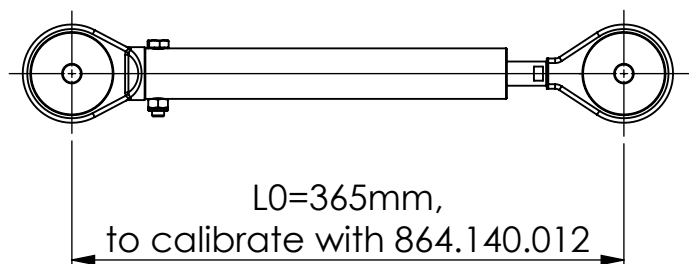
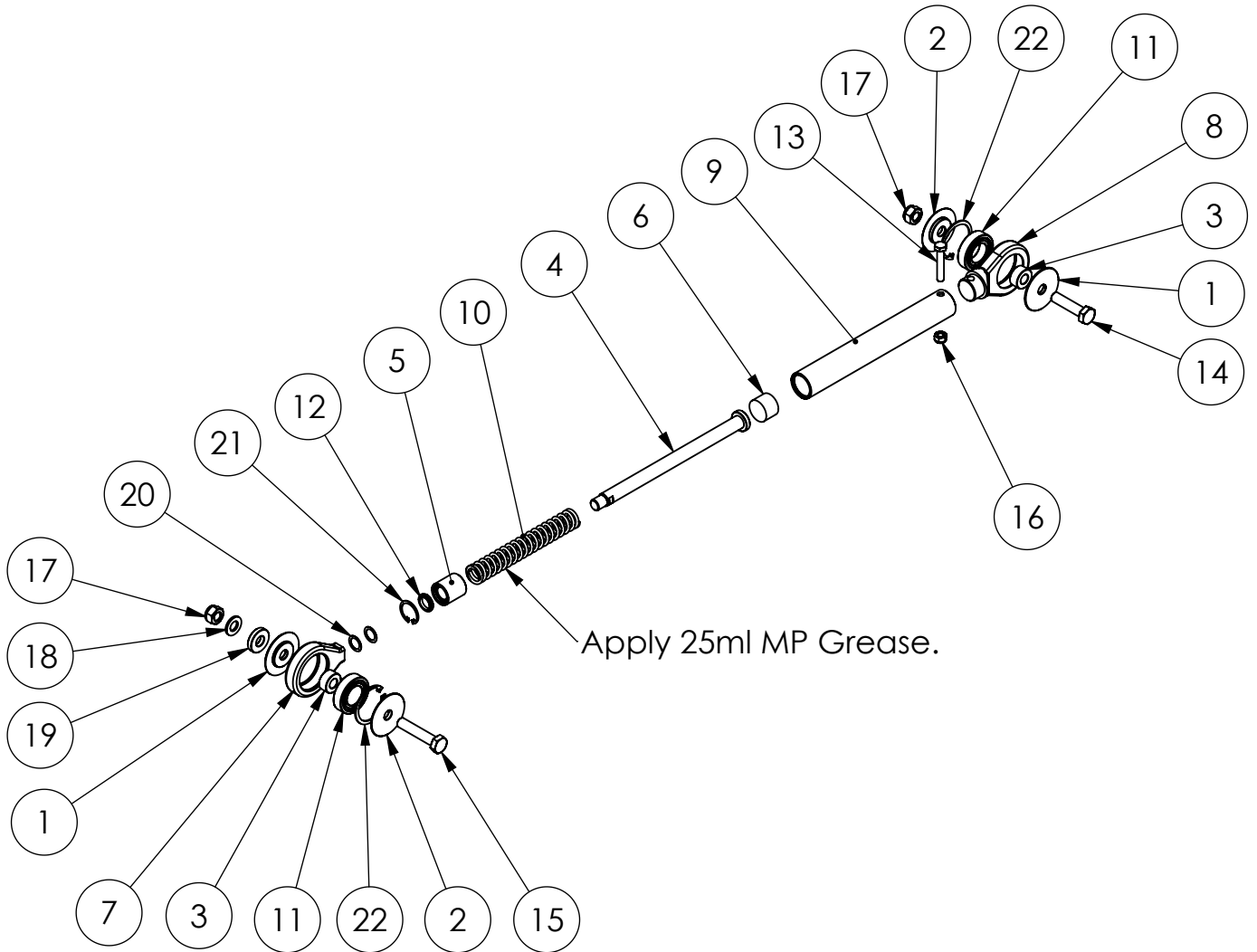
Draw rod till series:
 VD1513 - A005215
 VD1517 - A679214

Redexim Verti-Drain 1513/1517 Pag 05 Code 1236

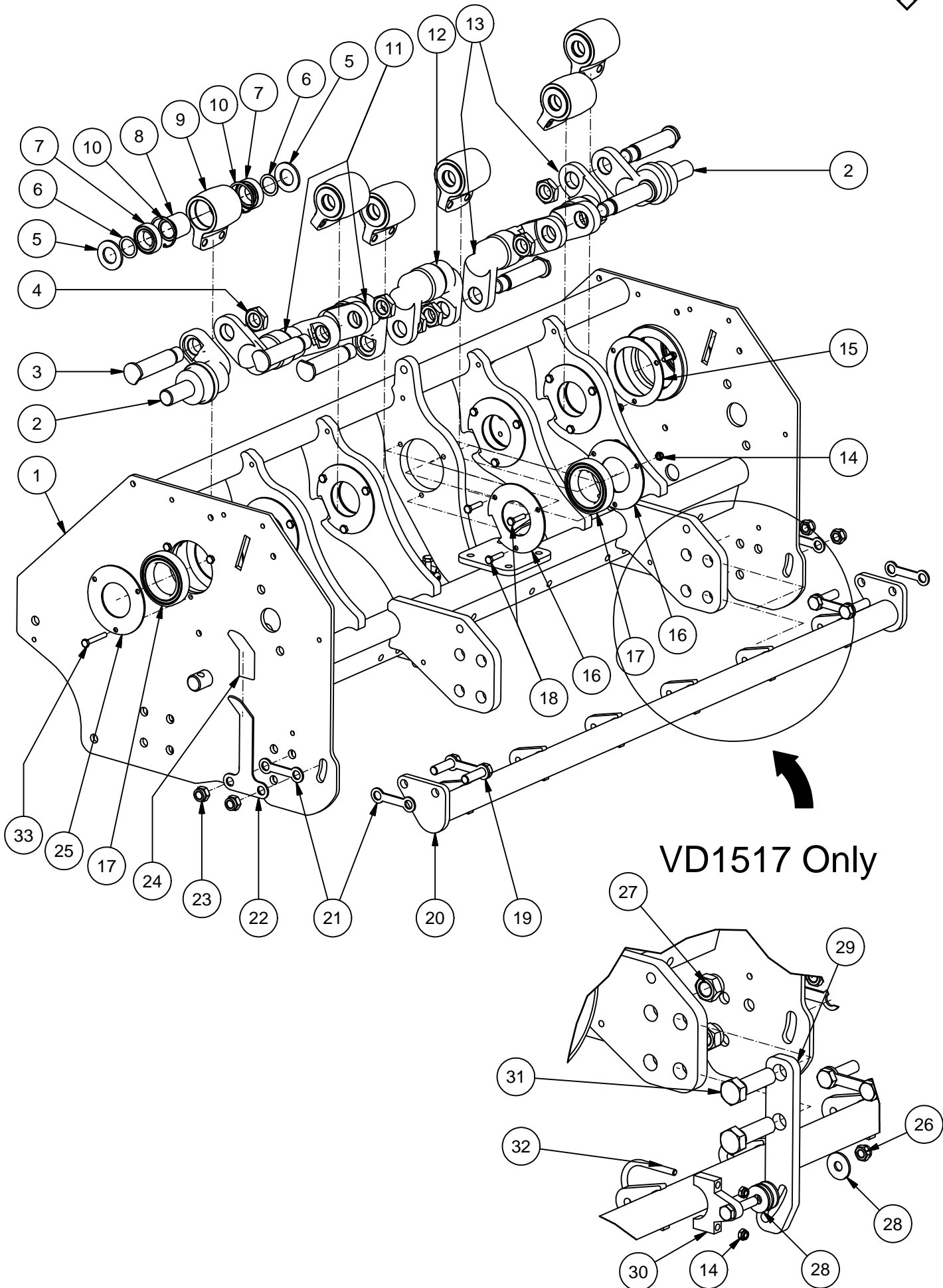
	PART #	DESCRIPTION	REMARKS	VD1513	VD1517
1	830.140.140	SL Nut DIN 985 - M14		36	48
2	464.104.250	Element Strip		12	16
3	872.035.150	Cir Clip DIN 472 - 35 x 1.5		24	32
4	802.120.501	Hex-Head Bolt		24	32
5	2661202	Washer		36	48
6	713.150.110	Bearing 6202 2RS		72	96
7	464.062.350	Connecting Plate		12	16
8	2601530	Inner bush		18	24
9	2431308	Bearing Support		12	16
10	2490415	Support Axis		18	24
11	4122700	SL Nut M12 x 1.25		36	48
12	4001876	Bolt DIN 960 - M12 x 1.25 x 55		12	16
14	466.151.750	Weld Assy Tine Holder Bracket		6	8
15	466.201.900	Weld Assy Tine Holder		6	8
16	4001675	Tine Holder Bolt		24	32
17	830.120.120	SL Nut DIN 985 - M12		24	32
18	864.120.030	Washer DIN 125 - M12		12	16
19	2611536	Plastic Bush		12	16
20	2990500	Draw Rod Head		6	8
21	713.250.120	Bearing 6005-2RS		12	16
22	802.120.450	Bolt DIN 931-1 - M12 x 45		18	24
23	872.047.180	Cir Clip DIN 472 - 47 x 1.75		12	16
24	830.080.080	SL Nut DIN 985 - M8		6	8
25	476.342.400	Tube for Draw Rod		6	8
26	802.080.450	Bolt DIN 931-1 - M8 x 45		6	8
27	2891092	Rubber Stop		6	8
28	426.162.460	Draw Rod		6	8
29	576.252.600	Spring Draw Rod		6	8
30	442.180.300	Bearing Bush		6	8
31	761.160.030	Seal for Draw Rod		6	8
32	872.028.130	Cir Clip DIN 472 - 28 x 1.2		6	8
33	802.120.500	Bolt DIN 931-1 - M12 x 50		6	8
34	2991000	Draw Rod Head		6	8
35	864.140.012	Shim 1mm		12	16
36	864.120.033	Washer DIN 7349 - M12		6	8
37	468.031.904	Core Catch Plate	Option	6	8
38	472.302.150	Contra Block Tine Holder	Option	6	8
39	466.122.150	Weld Assy Hollow Tine Holder	Option	6	8
40	830.060.060	SL Nut DIN 985 - M6	Option	12	16
41	864.120.030	Washer DIN 125 - M12	Option	18	24
42	804.120.300	Bolt DIN 933 - M12 x 30	Option	18	24
43	802.060.400	Bolt DIN 931-1 - M6 x 40	Option	12	16
44	802.100.500	Bolt DIN 931-1 - M10 x 50	Option	12	16
45	406.130.102	Distance Bush Ø20 / Ø12.5, L= 9.5	Option	12	16
46	466.062.090	MTH Bracket	Option	6	8
47	814.100.401	Inner Hex Bolt ISO 7380 - M10 x 40	Option	48	64
48	314.430.209	MTH Block	Option	6	8
49	830.100.100	SL Nut DIN 985 - M10	Option	12	16
50	490.343.650	Complete Draw Rod		6	8
51	211.215.002	Multi Tine Block Complete	Option	6	8



DRAW ROD FROM SERIES:
VD1513 - H215036
VD1517 - H215037

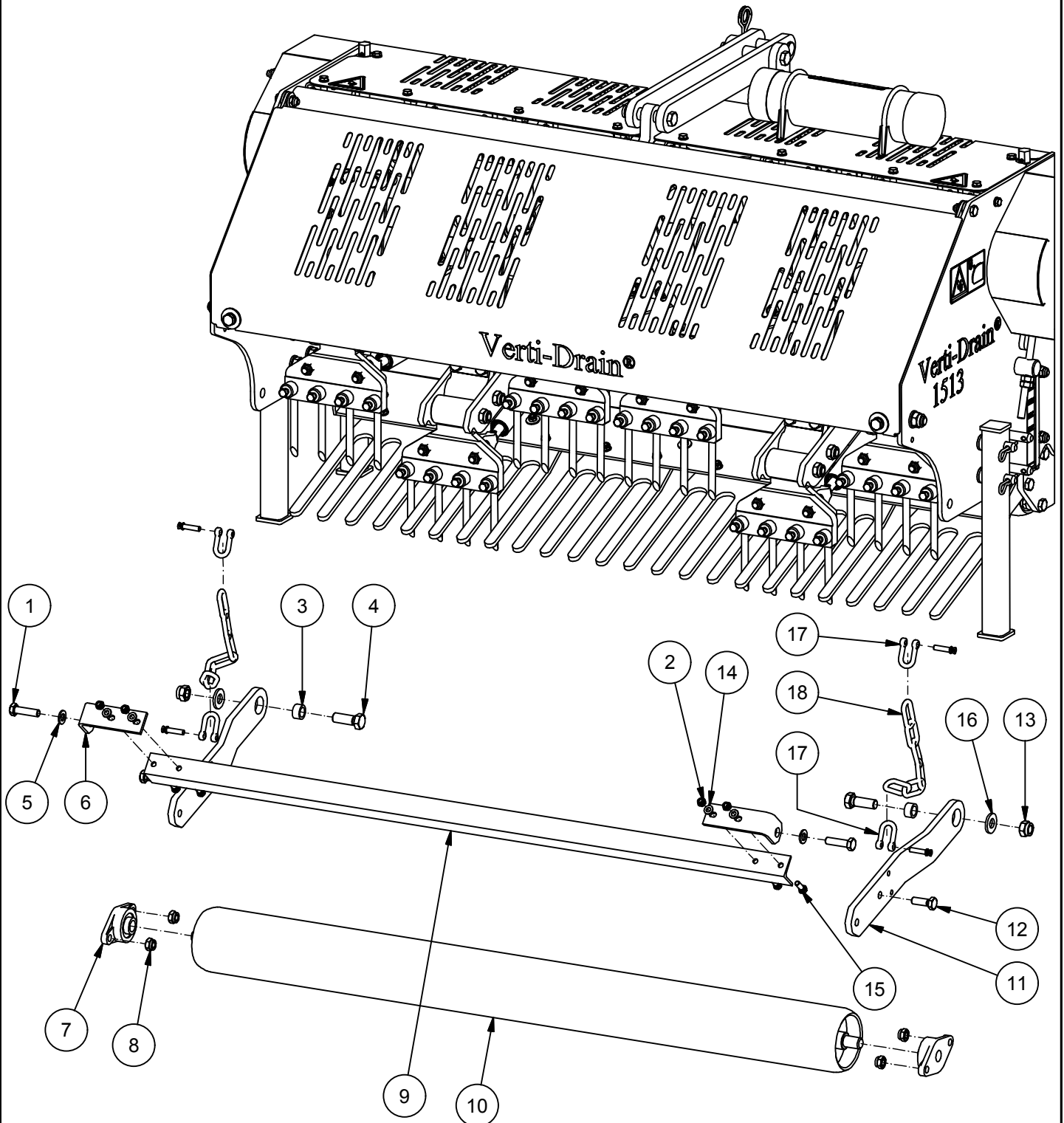


ITEM	PART NUMBER	DESCRIPTION	REMARKS	VD1513	VD1517
1	404.120.040	Distance bush Ø55/Ø32/Ø12 L=4.25		2	2
2	404.120.050	Distance bush Ø55/Ø32/Ø12 L=5.2		2	2
3	406.120.120	Distance bush Ø25/Ø12 L=12		2	2
4	426.162.460	Draw rod		1	1
5	442.180.300	Bearing bush		1	1
6	446.280.200	Rubber stop		1	1
7	448.640.820	Draw rod head with hole		1	1
8	448.640.960	Draw rod head with stud		1	1
9	476.342.400	Tube for draw rod		1	1
10	576.252.606	Spring drawrod L=190		1	1
11	713.250.120	Bearing 6005-LLU		2	2
12	761.160.030	Seal		1	1
13	802.080.450	Bolt M8 x 45 - ISO 4014		1	1
14	802.120.500	Bolt M12 x 50 - ISO 4014		1	1
15	802.120.600	Bolt M12 x 60 - ISO 4014		1	1
16	830.080.080	Self Lock Nut M8 - ISO 10511		1	1
17	830.120.120	Self Lock Nut M12 - ISO 10511		2	2
18	864.120.030	Washer M12 - ISO 7089		1	1
19	864.120.033	Washer DIN 7349 - M12		1	1
20	864.140.012	Shim S=0.5	Exact quantity is determined by L0 distance	2	2
21	872.028.120	Circlip D=28 - DIN 472		1	1
22	872.047.180	Circlip D=47 - DIN 472		2	2
		ALL QUANTITIES FOR ONE DRAW ROD			
	490.343.652	Complete draw rod	Complete draw rod is without item 14, 15, 17, 18, 19	6	8



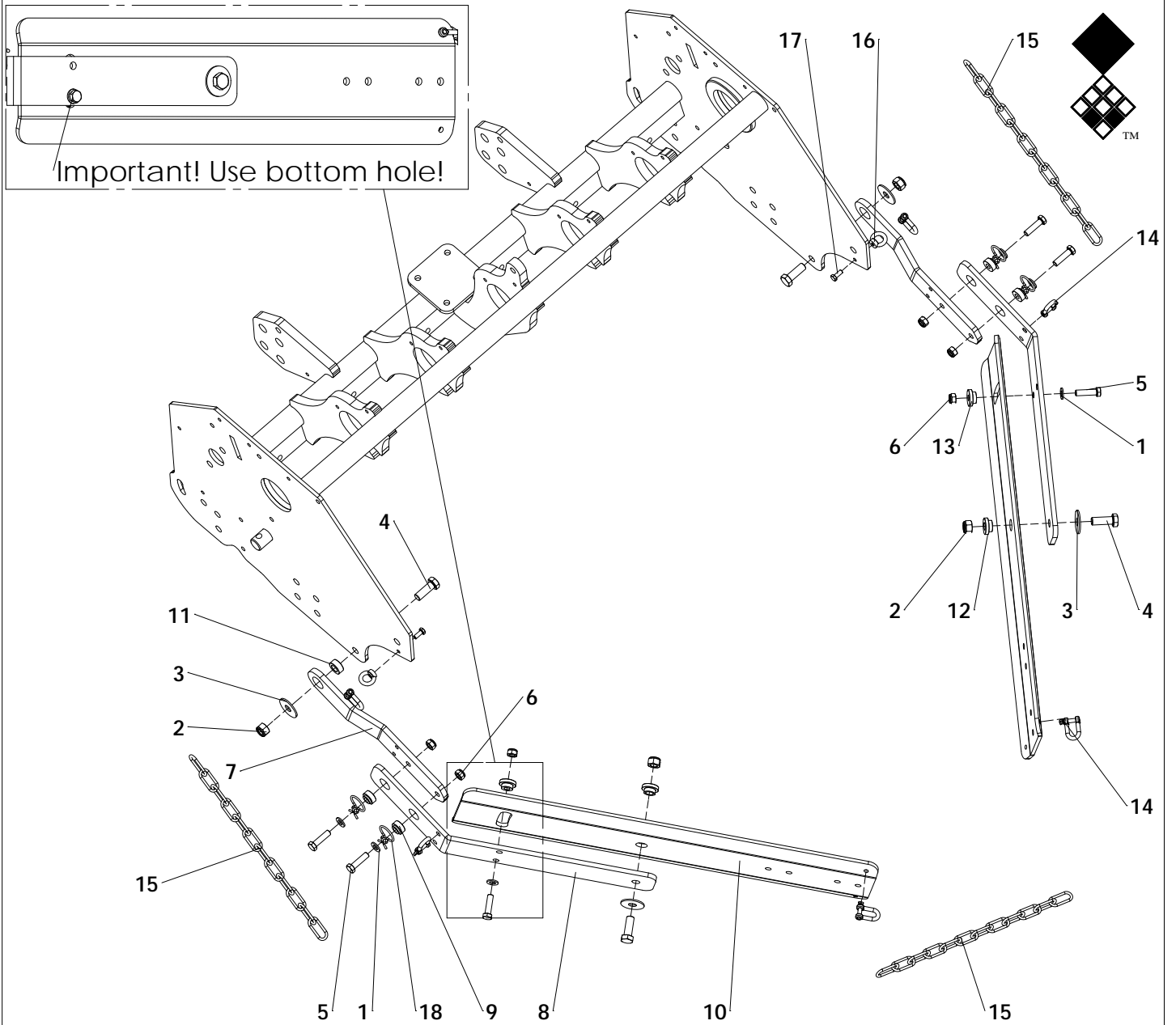
Redexim Verti-Drain 1513/1517 Pag 06 Code 1707

	PART #	DESCRIPTION	REMARKS	VD1513	VD1517
1	494.137.590	Weld Assy Frame		1	0
	494.180.590	Weld Assy Frame		0	1
2	474.651.710	Crank Side	Till SN VD1513 - H2160148 VD1517 - H2160189	2	2
	474.651.712	Crank Side	From SN VD1513 - H2160148 VD1517 - H2160189	2	2
3	2490120	Big End Pin		6	8
4	826.270.140	Low Nut Din 439-2 M27 x 2		6	8
5	2661220	Dust Cover		12	16
6	2661222	Distance Washer		12	16
7	713.300.130	Bearing 6006-2RS		12	16
8	2603043	Distance Bush Ø42/Ø30, L= 43		6	8
9	492.750.750	Big End		6	8
10	872.055.200	Cir Clip DIN 472 - 55x2		12	16
11	474.651.424	Crank Right Side	Only VD1513	2	0
	474.651.426	Crank Right Side	Only VD1517	0	3
12	474.651.420	Crank Middle		1	1
13	474.651.422	Crank Left Side	Only VD1513	2	0
	474.651.428	Crank Left side	Only VD1517	0	3
14	830.080.080	SL Nut DIN 985 - M8		21	31
15	468.031.302	Bearing Seal Plate		2	2
16	468.031.300	Bearing Seal Plate		10	14
17	713.650.180	Bearing 6013-2RS	From SN VD1513 - H2160148 VD1517 - H2160189 2 bearings on each sideplate	7 (9)	9(11)
18	802.080.350	Bolt DIN 931-1 - M8 x 35		15	21
19	426.161.020	Bolt Assy Central Bar		2	2
20	494.134.095	Central Bar		1	0
	494.180.095	Central Bar		0	1
21	468.031.020	Distance Plate		4	4
22	468.032.150	Tine Angle Adjustment Lever		1	1
23	830.160.160	SL Nut DIN 985 - M16		4	4
24	446.300.700	Cover For Lever		1	1
25	2661250	Crank Cover		2	2
26	830.120.120	SL Nut DIN 985 - M12	Only VD1517	0	2
27	830.220.220	SL Nut DIN 985 - M22	Only VD1517	0	4
28	864.120.031	Large Washer DIN 9021 - 13	Only VD1517	0	8
29	468.152.502	Support plate	Only VD1517	0	2
30	2282186	Support plate central bar	Only VD1517	0	2
31	804.220.700	Bolt DIN 933 - M22 x 70	Only VD1517	0	2
32	2691018	U-Bolt	Only VD1517	0	2
33	802.080.550	Bolt DIN 931-1 - M8 x 55	From SN VD1513 - H2160148 VD1517 - H2160189	6	6
	802.080.350	Bolt DIN 931-1 - M8 x 35	Till SN VD1513 - H2160148 VD1517 - H2160189	6	6

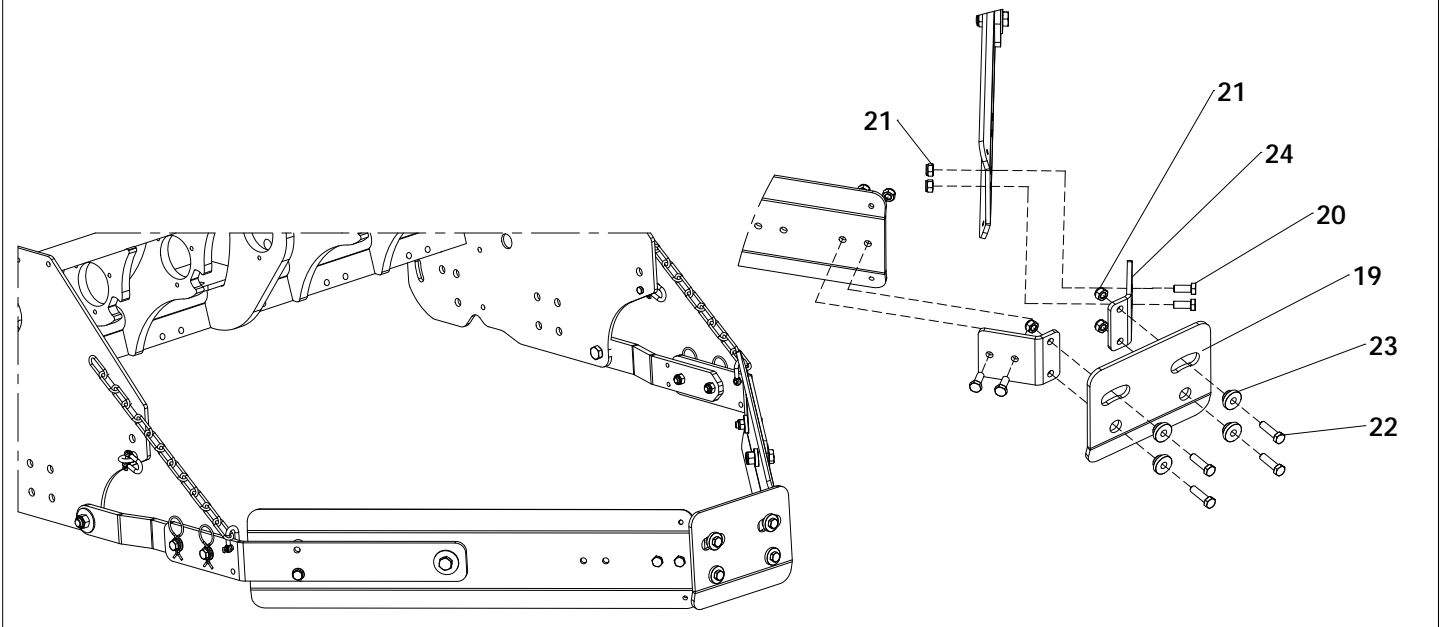


Redexim Verti-Drain 1513/1517 Pag 07 Code 1236

	PART #	DESCRIPTION	REMARKS	VD1513	VD1517
1	802.120.450	Bolt DIN 931-1 - M12 x 45		2	2
2	830.080.080	SL Nut DIN 985 - M8		4	4
3	2601713	Inner Bush		2	2
4	804.160.450	Bolt DIN 933 - M16 x 45		2	2
5	864.120.030	Washer DIN 125 - M12		2	2
6	2281510	Rear Roller Scraper Support		2	2
7	742.200.330	Bearing UCFL 204		2	2
8	830.120.120	SL Nut DIN 985 - M12		4	4
9	472.409.130	Scraper Rear Roller	Only VD1513	1	0
	472.409.180	Scraper Rear Roller	Only VD1517	0	1
10	488.114.913	Weld Assy Front / Rear Roller	Only VD1513	1	0
	488.114.917	Weld Assy Front/Rear Roller	Only VD1517	0	1
11	464.124.000	Rear Roller Support		2	2
12	804.120.350	Bolt DIN 933 - M12 x 35		2	2
13	830.160.160	SL Nut DIN 985 - M16		2	2
14	864.080.030	Washer DIN 125 - M8		4	4
15	804.080.250	Bolt DIN 933 - M8 x 25		4	4
16	864.160.030	Washer M16		2	2
17	846.080.241	Dee (chain) shackle d8		2	4
18	846.087.560	Chain D=8mm 54x16 mm	6 elements per chain	2	2
	211.215.004	Rear Roller Kit Complete VD1513	Only VD1513	1	0
	211.215.016	Rear Roller Kit Complete VD1517	Only VD1517	0	1

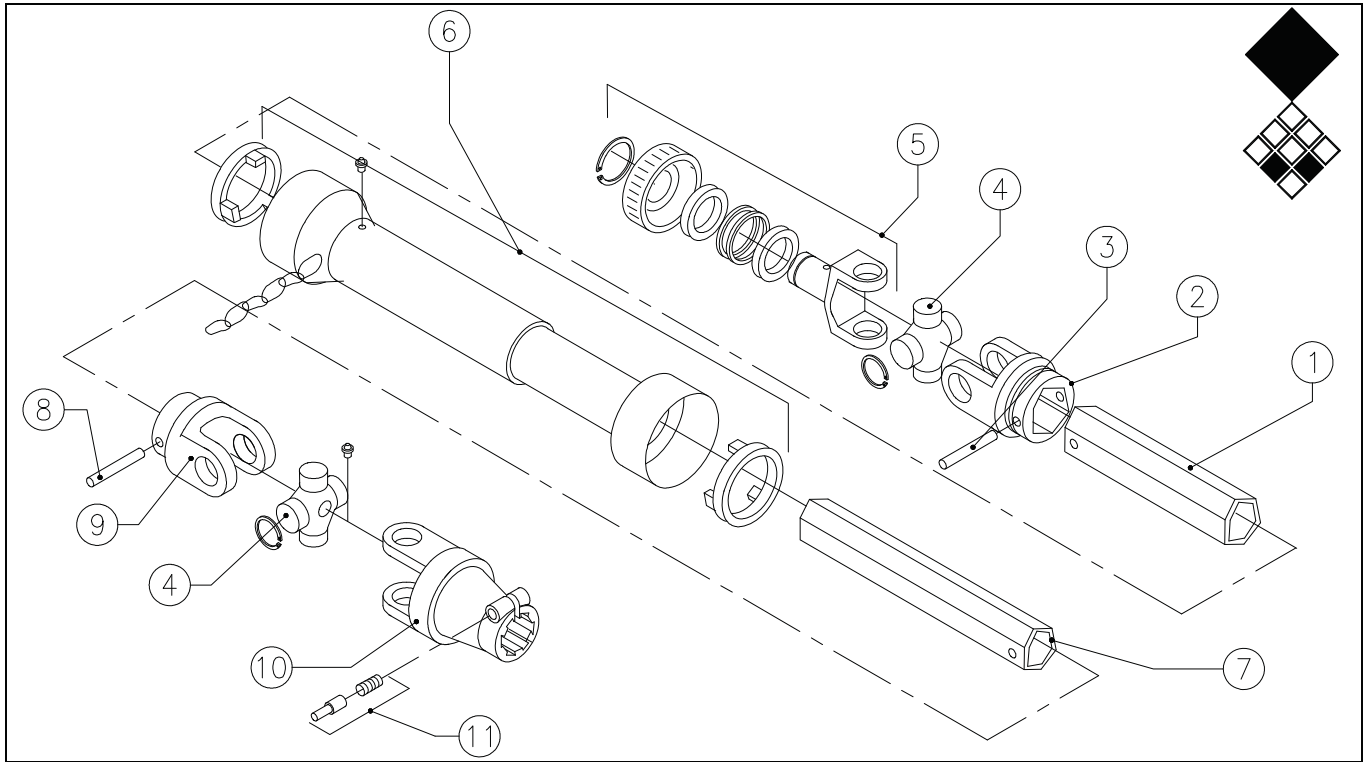


Additional option for Windrow kit: Core collecting kit

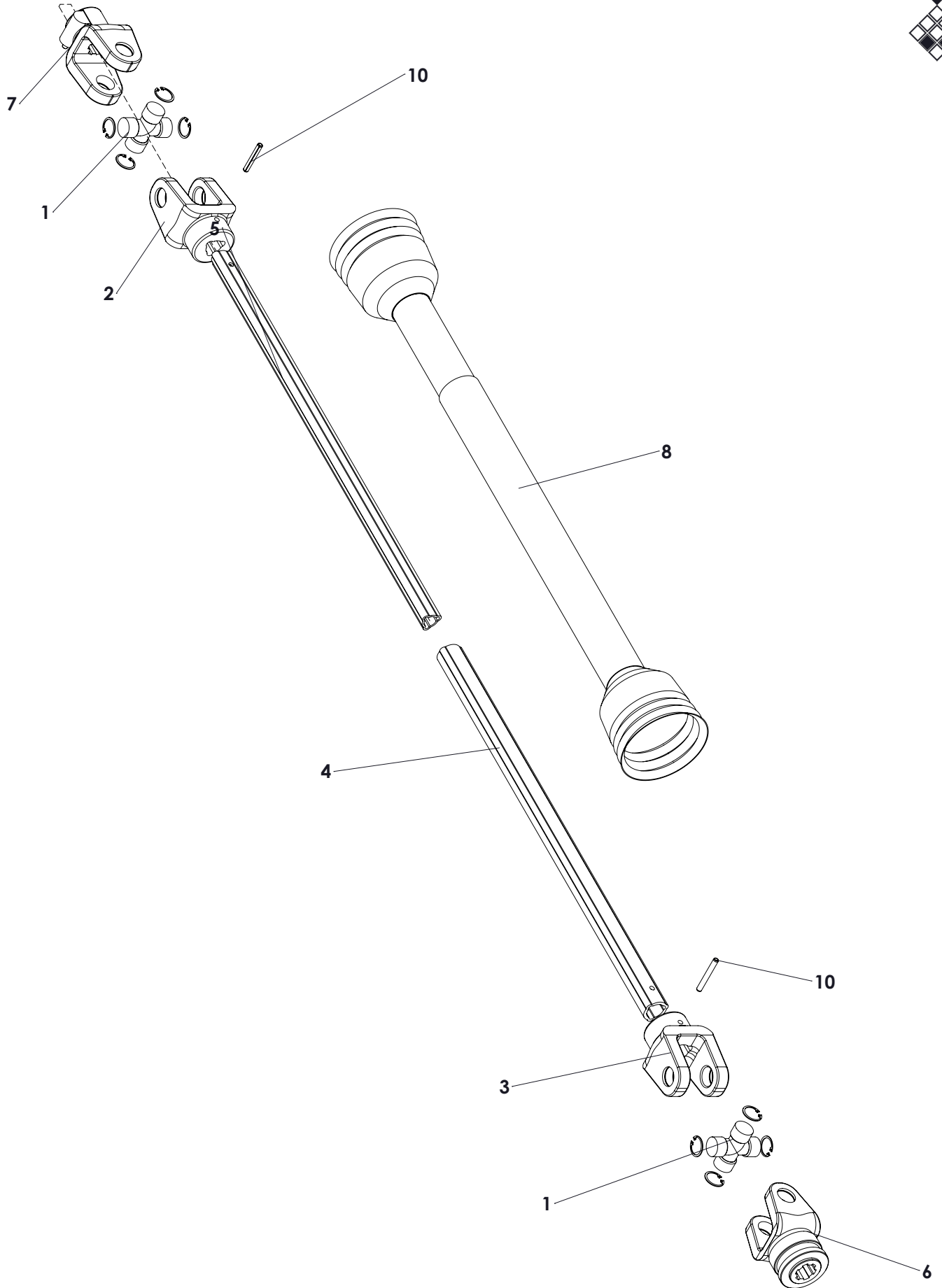


ITEM	PART NUMBER	DESCRIPTION	REMARKS	QUA
1	864.120.030	Washer M12 - ISO 7089		6
2	830.160.160	Self Lock Nut M16 - ISO 10511		4
3	864.160.031	Large washer M16 - DIN 9021		4
4	804.160.450	Bolt M16 x 45 - ISO 4017		4
5	802.120.450	Bolt M12 x 45 - ISO 4014		6
6	830.120.120	Self Lock Nut M12 - ISO 10511		6
7	464.124.000	Rear roller support		2
8	464.106.354	Windrow support		2
9	406.120.150	Distance bush		4
10	468.089.000	Windrow plate		1
11	2601713	Bush		2
12	406.160.150	Distance bush		2
13	406.130.150	Distance bush		2
14	846.080.241	D-Shackle D8		4
15	846.064.300	Chain D=5 500mm		3
16	822.080.360	Lifting Eye Nut M8 - DIN 582		2
17	804.080.200	Bolt M8 x 20 - ISO 4017		2
18	523.030.752	Special R-clip d3		4
	211.215.006	Windrow kit VD1513/VD1517 complete	Items 1-18	
19	468.082.600	CC plate VD1513	Only VD1513	1
	468.087.000	CC plate VD1517	Only VD1517	
20	804.120.300	Bolt M12 x 30 - ISO 4017		4
21	830.120.120	Self Lock Nut M12 - ISO 10511		8
22	802.120.450	Bolt M12 x 45 - ISO 4014		4
23	406.130.150	Distance bush		4
24	468.081.360	Angle bracket		2
	211.215.018	Core collecting kit VD1513	Items 19-24 Does not include windrow kit 211.215.006.	
	211.215.020	Core collecting kit VD1517	Items 19-24 Does not include windrow kit 211.215.006.	

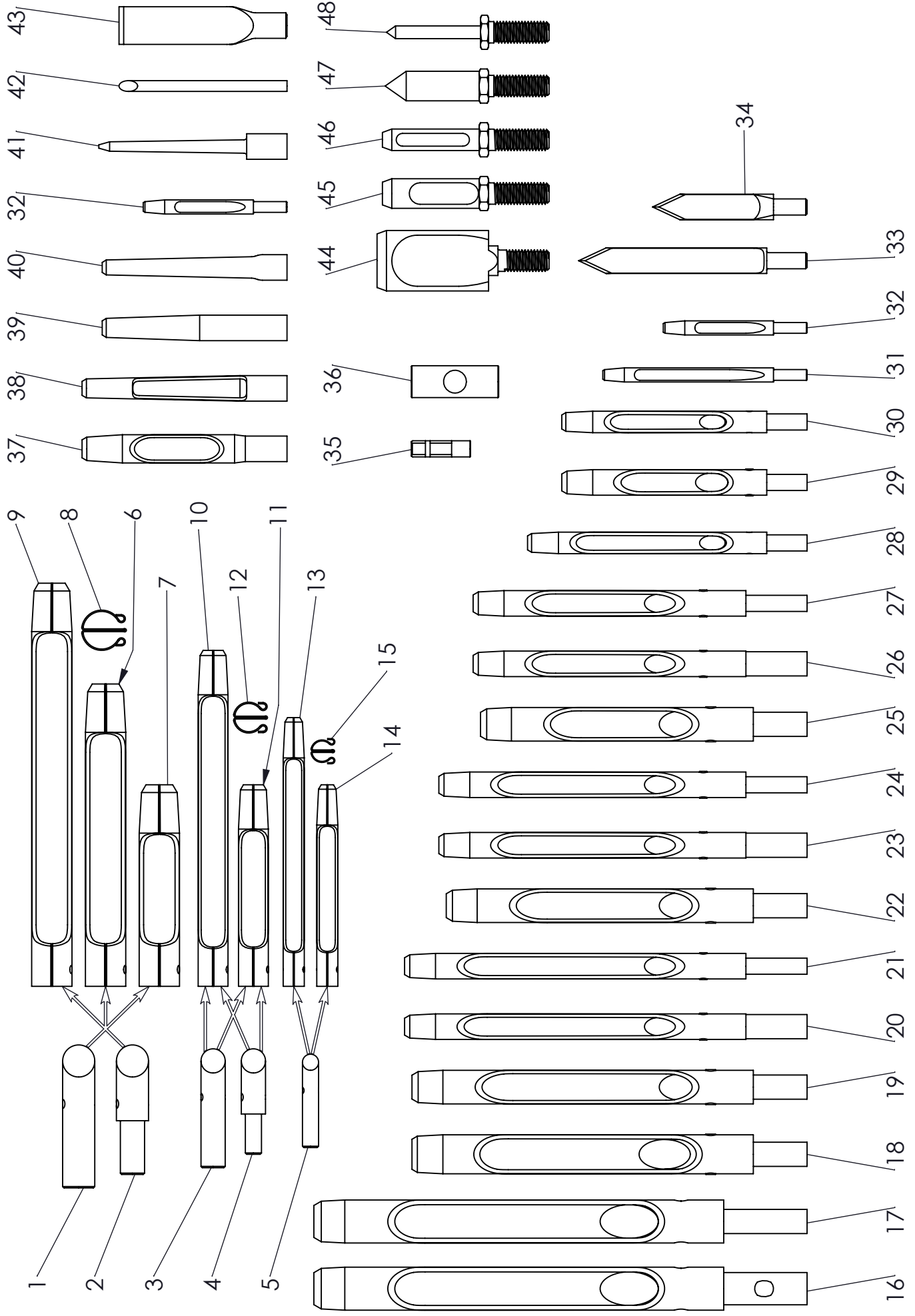
PTO T-20 Parts Page VD1513 ONLY



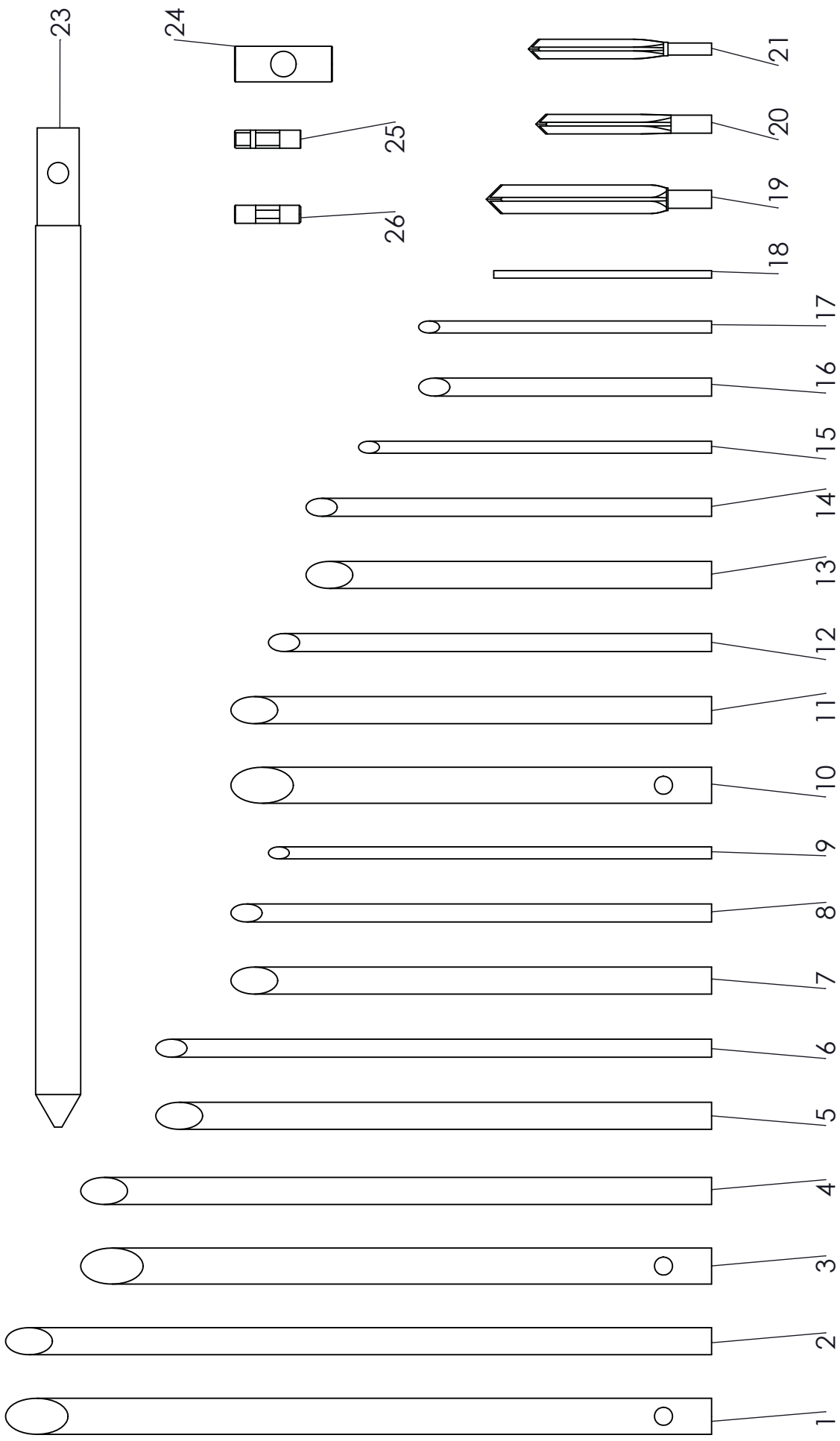
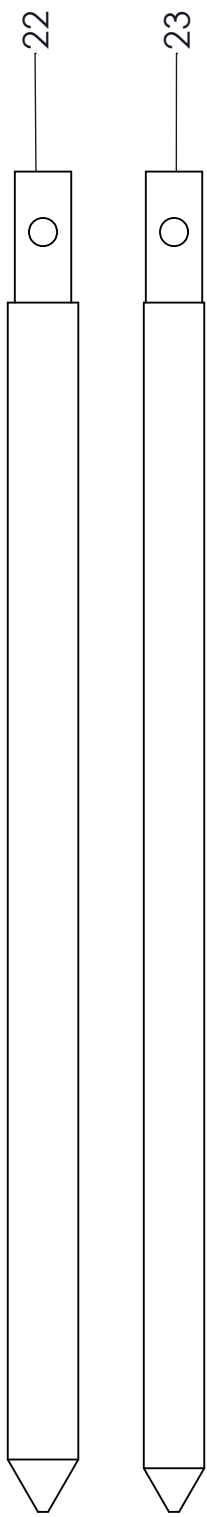
	PART #	DESCRIPTION	REMARKS	QUA
1	152.120.323	Outer Tube		1
2	151.012.003	Outer Tube Yoke		1
3	190.000.012	Roll Pin Outer Tube		1
4	180.012.130	Complete Cross Younall	With grease nipple and cir-cl	2
5	141.022.147	Complete Outer Yoke		1
6	1422202647230	Complete Protection Shield		1
7	153.120.216	Inner Tube		1
8	190.000.011	Roll Pin Inner Tube		1
9	151.012.002	Inne Tube Yoke		1
10	141.022.001	Push Pin Yoke		1
11	166.026.004	Push Pin Set		1
	613.805.100	PTO Complete		1



ITEM	PART NUMBER	DESCRIPTION	REMARKS	QUA
1	180014130	Cross and 4x circlip kit		2
2	151014007	Inner tube yoke type 40		1
3	141024263	Outer tube yoke type 40		1
4	1521402110700	T40-series Outer tube L=765mm		1
5	153140111	T40-series Inner tube L=780		1
6	141024430	Complete collar yoke type 40		1
7	141024001	Push pin yoke type 40		1
8	1422402119430	Complete guard 40-series		1
9	872.030.120	Circlip D=30 - DIN 472		8
10	190000012	Roll Pin 8 x 55		2
	613.809.100	PTO complete T40 push pin		



ITEM	PART NUMBER	DESCRIPTION	In combination with item nr. (if necessary)	MTH block nr. (if necessary)	COMMENT	Page ref.	QTY VD1513	QTY VD1517
4	311.180.780	Shank 18 / 12mm					24	32
5	311.120.690	Shank 12mm					24	32
11	317.322.150	Folded Hollow Tine 22 x 150 (7/8" x 6")	4 + 12				24	32
12	438.220.220	Clip Ø22					24	32
14	317.316.150	Folded Hollow Tine 16 x 150 (5/8" x 6")	5 + 15				24	32
29	311.219.150	Hollow Tine 19 x 12 x 150 (3/4" x 15/32" x 6") - 12mm shank			311.719.150 Tube only		24	32
30	311.216.150	Hollow Tine 16 x 10 x 150 (5/8" x 3/8" x 6") - 12mm shank			311.716.150 Tube only		24	32
31	311.210.127	Hollow Tine 10 x 6 x 125 (3/8" x 1/4" x 5")	35 or MTH	314.430.209	MTH block configuration	5	24 / 48 (MTH)	32 / 64 (MTH)
32	311.210.080	Hollow Tine 10 x 6 x 80 (3/8" x 1/4" x 3")	35 or MTH	314.430.209	MTH block configuration	5	24 / 48 (MTH)	32 / 64 (MTH)
34	311.619.120	Chisel Tine 4.8 x 19 x 120 (3/16" x 3/4" x 4 3/4") - 12mm shank					24	32
35	314.208.043	Adapter 8mm Tine			When using 8mm tines		24 / 48 (MTH)	32 / 64 (MTH)
37	9990075	Hollow Tine 21 x 12 x 125 (13/16" x 1/2" x 5") - 19mm mounting			Hollow tine configuration	5	24	32
38	311.219.159	Hollow Tine 19 x 10 x 125 (3/4" x 3/8" x 5") - 19mm mounting			Hollow tine configuration	5	24	32
39	311.219.158	Hollow Tine 19 x 10 x 110 (3/4" x 3/8" x 4 3/8") - 19mm mounting			Hollow tine configuration	5	24	23
40	311.219.138	Hollow Tine 16 x 7 x 110 (5/8" x 1/4" x 4 3/8") - 19mm mounting			Hollow tine configuration	5	24	32
41	39200-447	Solid Tine 10 x 100mm (3/8" x 4") - 19mm mounting			Hollow tine configuration	5	24	32
43	311.619.127	Chisel Tine 5 x 30 x 90 (3/16" x 1 3/16" x 3 1/2") - 19mm mounting			Hollow tine configuration	5	24	32



ITEM	PART NUMBER	DESCRIPTION	In combination with item nr. (if necessary)	MTH block nr. (if necessary)	COMMENT	Page ref.	QTY VD1513	QTY VD1517
16	311.112.150	Solid Tine 12 x 150 (1/2" x 6")					24	32
17	311.108.150	Solid Tine 8 x 150 (5/16" x 6")	25 or MTH	314.430.209	MTH block configuration	5	24 / 48 (MTH)	32 / 64 (MTH)
18	311.105.125	Solid Tine 5 x 125 (3/16" x 5")	26				24	32
19	99900021	X-Tine 19 x 120mm (3/4" x 5") - 12mm shank					24	32
20	311.812.090	X-Tine 12 x 90mm (1/2" x 3 1/2") - 12mm shank					24	32
21	99900020	X-Tine 12 x 90mm (1/2" x 3 1/2") - 8mm shank	25 or MTH	314.430.209	MTH block configuration	5	24 / 48 (MTH)	32 / 64 (MTH)
25	314.208.043	Adapter 8mm Tine			When using 8mm tines		24 / 48 (MTH)	32 / 64 (MTH)
26	314.205.043	Adapter 5mm Tine			When using 5mm tines		24	32