

User Manual and Parts Book

Redexim 

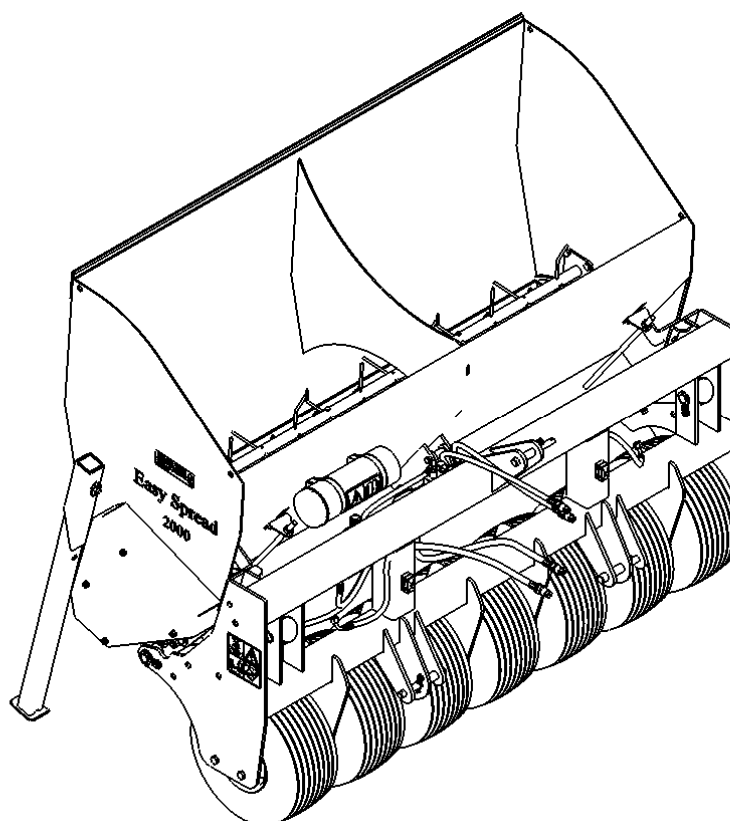
Easy Spread

Model 1000/1500/2000

Serial number:

Kwekerijweg 8
3709JA Zeist
The Netherlands
T: (31)306933227
F: (31)306933228
E: verti-drain@redexim.com
www.redexim.com

Translation of the original operating instructions



ATTENTION:



IT IS OF THE UTMOST IMPORTANCE TO READ THIS USER MANUAL CAREFULLY PRIOR TO USING THE EASY SPREAD IN ORDER TO USE THE MACHINE SAFELY AND TO OBTAIN THE BEST RESULTS.

1714 English 931.120.000

FOREWORD

Congratulations on your Easy Spread purchase! For safe and long-lasting operation of the Easy Spread, it is necessary to read and to understand this user manual. It is impossible to work safely with this machine *without* complete knowledge of the content of the user manual. The Easy Spread is not a machine that works independently. It is the user's responsibility to use the correct tractor. The user must also check the tractor/Easy Spread combination on safety aspects such as noise level, user instructions and risk analysis.

The Easy Spread is solely intended for grass fields or areas where grass can grow. The following pages deal initially with the general safety instructions. Every user should know these safety instructions and apply them. At the end of this page, a registration card is inserted. This registration card should be returned to us in order to deal with potential future claims.

This user manual lists many instructions that are numbered in sequence. You should follow this sequence. A  is an indication of a safety instruction. A  means a tip and/or note. All information and technical specifications provided at the moment that this document is published are the most recent ones. Design specifications may be changed without prior notice.

This document is a translation of the original operating instructions. Upon request, the original operating instructions are available in Dutch.

WARRANTY CONDITIONS

AT THE TIME OF DELIVERY THE EASY SPREAD IS GUARANTEED AGAINST MATERIAL DEFECTS.

THIS WARRANTY IS VALID FOR A PERIOD OF 12 MONTHS FROM THE PURCHASE DATE.

EASY SPREAD WARRANTIES ARE SUBJECT TO THE 'GENERAL CONDITIONS FOR SUPPLY OF PLANT AND MACHINERY FOR EXPORT, NUMBER 188' THAT ARE PUBLISHED UNDER THE AUSPICES OF THE UNITED NATIONS ECONOMIC COMMISSION FOR EUROPE.

REGISTRATION CARD

For your own information, fill in the table below:

Serial number of the machine	
Dealer name	
Date of purchase	
Remarks	

SAFETY INSTRUCTIONS

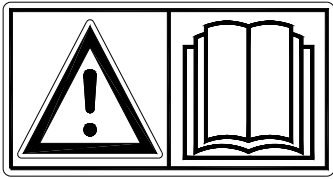


Figure 1

The Easy Spread is designed for safe use. This can only be achieved if you completely follow the safety instructions described in this manual.

Read and understand (figure 1) the manual before you use the Easy Spread.

If the machine is not used as described in this manual, this can result in injuries and/or damage to the Easy Spread.

- (1) The Easy Spread is only intended for gritting fine-grained materials (sand, pebble stones and the like).

Any other use is improper. The manufacturer will not accept any liability for damage resulting from improper use. All risks occurring with this are entirely at the expense of the user.

Following the use, maintenance and repair instructions prescribed by the manufacturer is also considered proper use of this machine.

The manufacturer will not accept any liability for unprofessional use and its resulting damage. All risks occurring with this are entirely at the expense of the user.

Following the use, maintenance and repair instructions prescribed by the manufacturer is also considered professional use of this machine.

Inspect the area to be treated *before* using the Easy Spread. Remove loose obstacles and avoid irregularities.

- (2) The Easy Spread is manufactured according to the latest technical understanding and is safe to use.

When unskilled people use, maintain or repair the machine, this could result in injuries to the user *and* to third parties. **This must be avoided!**

Always use the Easy Spread in combination with the correct tractor as described in the technical data.

- (3) All persons assigned to operate, maintain and repair the Easy Spread by the owner must completely read and understand the operation manual and in particular the chapter of **Safety Instructions**.

The user is responsible for a **safe Tractor/Easy Spread combination**. **This entire combination must be tested** for noise, safety, risk and user friendliness. User instructions should also be drafted.

- (4) The user is **obliged to check** the Easy Spread for **visible damage and defects** before using it.

Modifications to the **Easy Spread** (including its operations) that have a negative impact on safety must be rectified immediately.

For safety reasons it is in principle not permitted to make changes or adjustments to the **Easy Spread** (except those approved by the manufacturer).

If **modifications** to the Easy Spread have been made, then the current CE marking is cancelled. The person that has made these modifications has to apply for a **new CE marking himself**.

Check the Easy Spread for loose bolts, nuts and components before every operation.

If present, check the hydraulic pipelines regularly and replace these when the hydraulic pipelines are damaged or appear old. The pipelines that are replaced should comply with the technical requirements of the manufacturer.

If a hydraulic installation is present, you should **always** make it pressure-free before working on this installation.

NEVER use the Easy Spread in the absence of protective guards and safety stickers.

NEVER crawl under the Easy Spread.
If necessary, tilt the Easy Spread.

NEVER step off the tractor while the motor is running.

When carrying out maintenance, adjustments and repairs, it is necessary to block the Easy Spread in order to prevent it from sinking away, driving off and/or sliding off.

Always switch off the tractor motor and take the tractor's key out of the ignition in carrying out maintenance, adjustments and repairs (Figure 2).

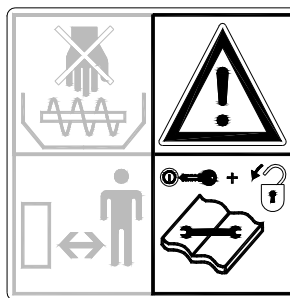


Figure 2

Use only original Easy Spread parts for maintenance or repairs because of the safety of the machine *and* of the user.

Only authorised technical personnel may carry out repairs to the Easy Spread.

Keep a record of the repair activities.

- (5) The general applicable health & safety (Dutch: ARBO) regulations must also be followed in addition to the instructions in this user manual.

Relevant traffic regulations also apply in case of using public roads.

Transporting persons is not permitted!

Do not use the Easy Spread in the dark, in heavy rain/storm or on slopes with an angle larger than 20 degrees.

- (6) All persons that are going to operate the Easy Spread must be familiar with all its functions and control elements *before* starting any work activities.

Attach the **Easy Spread** to the towing vehicle according to the regulations. (**Danger of injuries!**) Check whether you have a clear field of vision – both close by and far away – *before* you depart.

Both sideboards of the **Easy Spread** have a safety sticker (figure 5) that have the same information. This safety sticker must always be clearly visible and legible and must be replaced if they have become damaged.

During operation, **NO persons are allowed within the danger zone** of the **Easy Spread**, because there is danger of physical injuries caused by moving components (Figure 3).

Keep a distance of minimum 4 meter (13 feet)! (Figure 4)

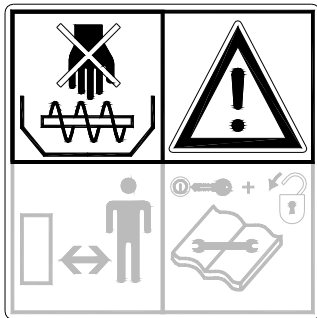


Figure 3

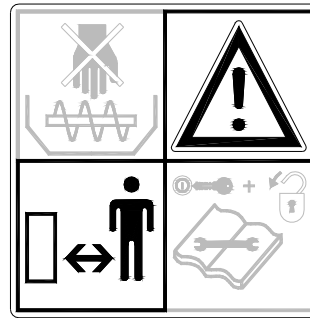


Figure 4

Pay attention to the permitted lifting capacity of the towing vehicle.

Dress appropriately. Wear sturdy shoes with steel toecaps, long trousers and tie up long hair. Do not wear loose clothing.

- (7) Location of the safety stickers (Figure 5).

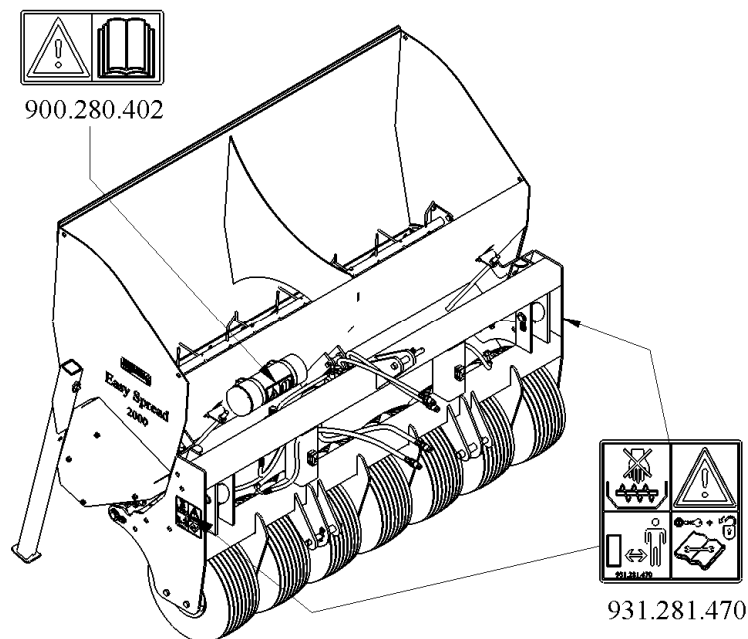


Figure 5

Used oil/grease is harmful to the environment. Dispose of these substances according to the regulations that apply in your location.



EU DECLARATION

We -

**Redexim BV,
Utrechtseweg 127,
3702 AC Zeist, Holland**

– declare entirely under our own responsibility that the product:

EASY SPREAD WITH MACHINE NUMBER AS INDICATED ON THE MACHINE AND IN THIS MANUAL

to which this declaration relates is according to the stipulation of the 2006/42/EC directive for machines as well as the following standards: NEN-EN-ISO 12100 : 2010 and NEN-EN-ISO 13857 : 2008.

Zeist, 18/07/13

A.C. Bos
Manager Operations & Logistics
Redexim Holland

TABLE OF CONTENTS

WARRANTY CONDITIONS	2
REGISTRATION CARD	2
SAFETY INSTRUCTIONS	3
EU DECLARATION	6
1.0 TECHNICAL DATA	8
2.0 GENERAL DESCRIPTION.....	8
3.0 FIRST INSTALLATION – TAKING THE MACHINE OFF THE PALLET/GETTING IT READY FOR USE.....	9
4.0 ATTACHING THE MACHINE TO THE TRACTOR.....	10
5.0 OPERATING THE EASY SPREAD.....	12
5.1 OPERATING THE EASY SPREAD TIPPING BUCKET.....	12
5.2 OPERATING THE GRITTING CYLINDER / AGITATOR & DOSE LID	12
6.0 LOADING THE EASY SPREAD.....	13
7.0 DRIVING SPEED	14
8.0 USING THE EASY SPREAD.....	14
9.0 START/STOP PROCEDURE	14
10.0 TRANSPORTING THE EASY SPREAD	15
11.0 DISCONNECTING THE EASY SPREAD.....	16
12.0 TROUBLE SHOOTING (PROBLEM ANALYSIS).....	17
13.0 MAINTENANCE	18
13.1 GREASE POINTS.....	19
14.0 CLEANING THE EASY SPREAD.....	19
15.0 CHANGE WHEELS.....	20
16.0 CHAIN TENSION	21

1.0 TECHNICAL DATA

<u>Model</u>	<u>1000</u>	<u>1500</u>	<u>2000</u>
Working width	1.0 m	1.5 m	2.0 m
Tractor speed	Max. 12 km/h (7,5 mph), depending on the type of tractor and the condition of the ground.	Max. 12 km/h (7,5 mph), depending on the type of tractor and the condition of the ground.	Max. 12 km/h (7,5 mph), depending on the type of tractor and the condition of the ground.
Weight	494 kg (1090 lbs)	590 kg (1300 lbs)	700 kg (1543 lbs)
Container content	0,58 m ³ (20.5 ft ³)	0,87 m ³ (30.7 ft ³)	1,17 m ³ (41.3 ft ³)
Machine size (L x W x H)	1,23 x 1,18 x 1,74 m 48,4"x 46,5"x 68,5"	1,23 x 1,68 x 1,74 m 48,4"x 66,1"x 68,5"	1,23 x 2,18 x 1,74 m 48,4"x 58,8"x 68,5"
Gritting thickness	0-20 mm Depending on the driving speed, position of the dose lid and position of the dose regulator.	0-20 mm Depending on the driving speed, position of the dose lid and position of the dose regulator.	0-20 mm Depending on the driving speed, position of the dose lid and position of the dose regulator.
Recommended tractor	60 hp	60 hp	80 hp
Minimum lifting capacity	1100 kg (2865 lbs)	1300 kg (2865 lbs)	2000 kg (4410 lbs)
Three-point connection	Cat. 1 & 2	Cat. 1 & 2	Cat. 1 & 2
Minimum loading capacity of the tractor	12 l/min	12 l/min	12 l/min
Minimum pressure	70 bar	70 bar	100 bar
Necessary connections	2 x double-acting	2 x double-acting	2 x double-acting
Standard components	<ul style="list-style-type: none"> - Tipping bucket - Powered gritting cylinder - Agitator - Continuously adjustable dose lid - Adjustable legs 	<ul style="list-style-type: none"> - Tipping bucket - Powered gritting cylinder - Agitator - Continuously adjustable dose lid - Adjustable legs 	<ul style="list-style-type: none"> - Tipping bucket - Powered gritting cylinder - Agitator - Continuously adjustable dose lid - Adjustable legs

2.0 GENERAL DESCRIPTION

The Easy Spread is only intended for gritting fine-grained materials such as sand, pebble stones and the like.

The tipping bucket can scoop and fill the gritting material while the dose lid can afterwards grit the material on the ground. This dose lid can be adjusted continuously so that the gritting quantity can be accurately adjusted.

3.0 FIRST INSTALLATION – TAKING THE MACHINE OFF THE PALLET/GETTING IT READY FOR USE

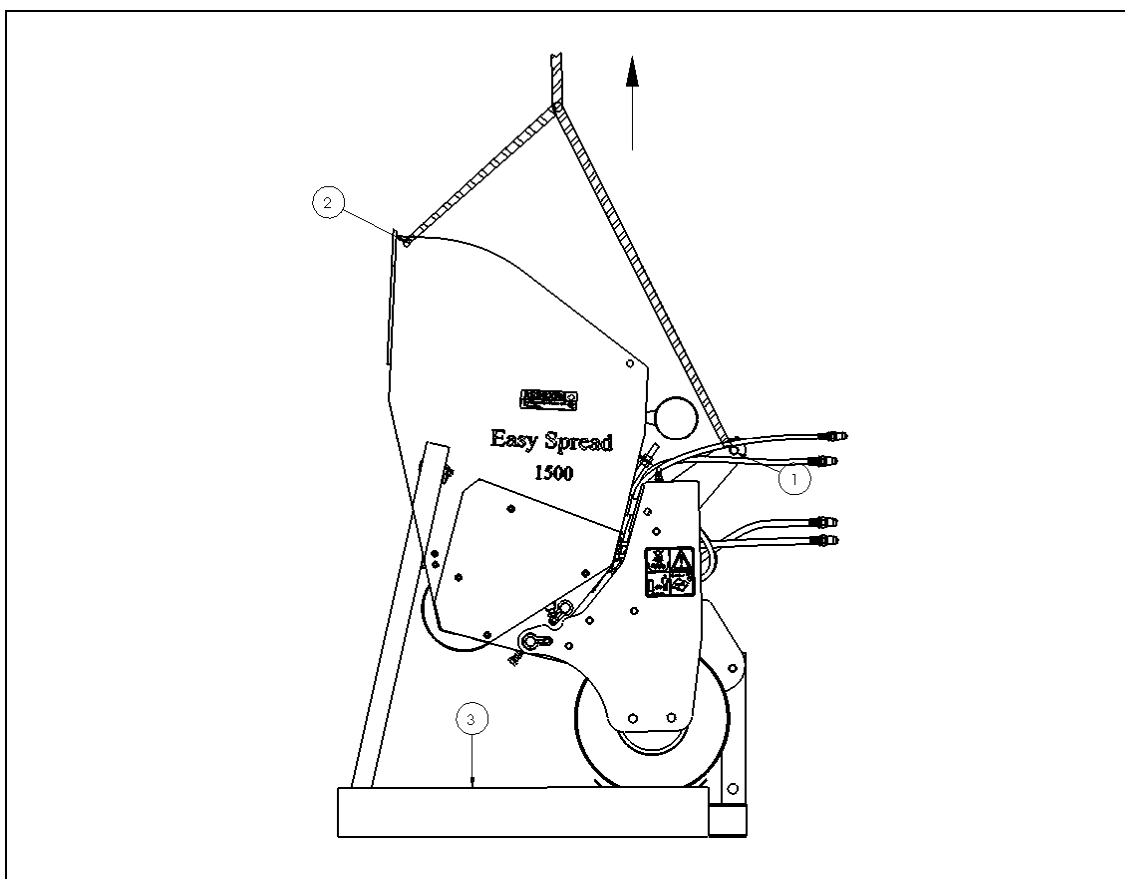


Figure 6

The machine is placed on the pallet. To remove the pallet and to place the machine on the ground, you take the following steps (see Figure 6):

⚠ NEVER CRAWL UNDER THE MACHINE!

1. Attach a cable to the upper 3-point (1) and at the hoisted supports (2) at both sides of the machine.

⚠ Make sure that the cable/crane/lift can hoist minimum 2x the weight of the machine. (machine weight see Chapter 1.0 Technical data)

2. Lift the machine so the cables come under tension.
3. Remove the bottom 3-point connection
4. Lift the machine off the pallet (3) and pull the pallet from under the machine.
5. Lower the machine controlled and calmly until it stands completely on the ground.

⚠ CAREFUL: KEEP YOUR DISTANCE; THE MACHINE CAN SLIDE!

6. Remove the cable.
7. The machine is no ready for use.
8. Connect the machine to the tractor (please refer to Chapter 4.0).

4.0 ATTACHING THE MACHINE TO THE TRACTOR

Checking procedure before starting to attach the Easy Spread:

- Check the Easy Spread for visually discernable damage and repair this if safe operation of the machine is no longer guaranteed.
- Check whether all the nuts and bolts are tight.
- Check whether all safety stickers are present on the machine and are not damaged.
NEVER use the machine without these items.

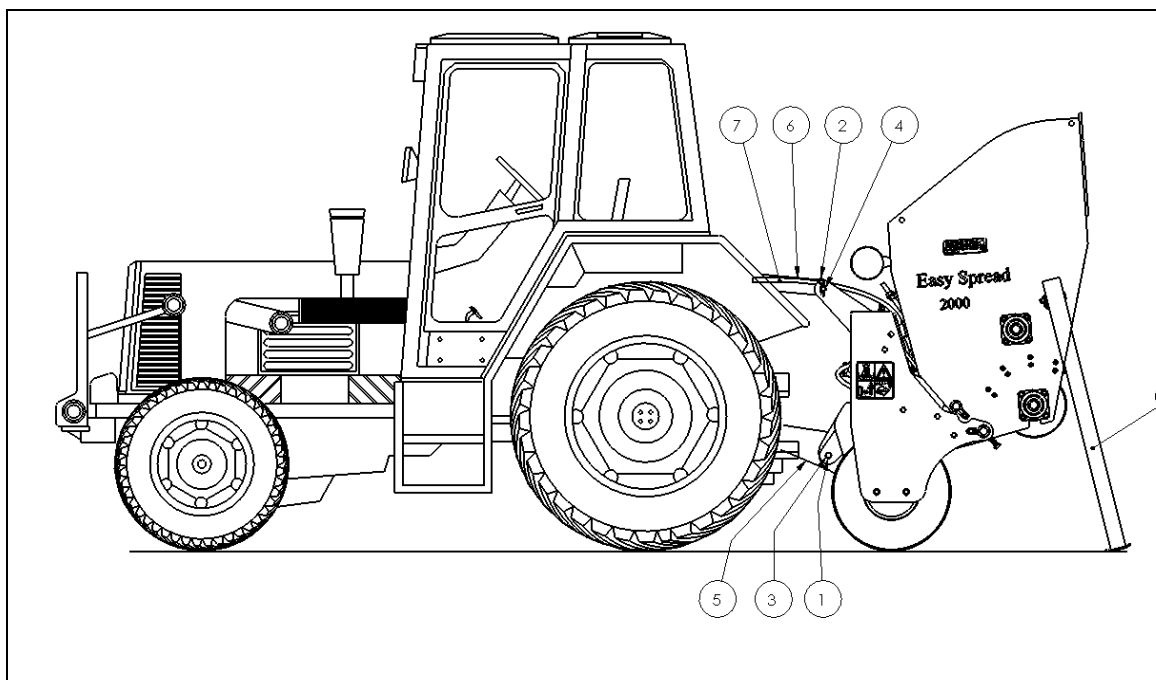


Figure 7

The Easy Spread can be attached to the tractor by means of the 3-point attachment.

The procedure is as follows (see Figure 7):

1. Remove the locking pins (1 & 2) and the pins (3 & 4).
2. Drive the tractor carefully backwards so that the lower connecting arms (5) can be attached to the frame.




Make sure that the tractor is blocked well and cannot move on its own accord!



Switch off the tractor before descending!

3. Using the locking pins (1) and the pins (3), connect the lower connecting arms (5) with the bottom 3-point connection located on the frame.
4. Set the stabilizer of the tractor to 100 mm lateral stroke.
5. Mount the top rod (6) of your tractor and turn it outward until it reaches the same height as the 3-point stop connection of the Easy Spread.
6. Connect the top rod (6) to the frame with the pin (4); secure the pin (4) with the supplied locking pin (2).
7. Screw in the top rod (6) so that the adjustable legs (8) are just released.

8. Attach the hydraulic hoses to the tractor (7). Make sure that hoses that go together are attached to the same connection. The hoses for tipping the bucket should be attached to one connection, these are the small hoses. The hoses for regulating the gritting quantity should also be attached to one connection, these are the big hoses.
(figure 8).
9. Lift the machine.
10. Remove the adjustable legs (8) and mount them to the frame (figure 8).

 **Make sure that all securing pins are locked before lifting the Easy Spread!**

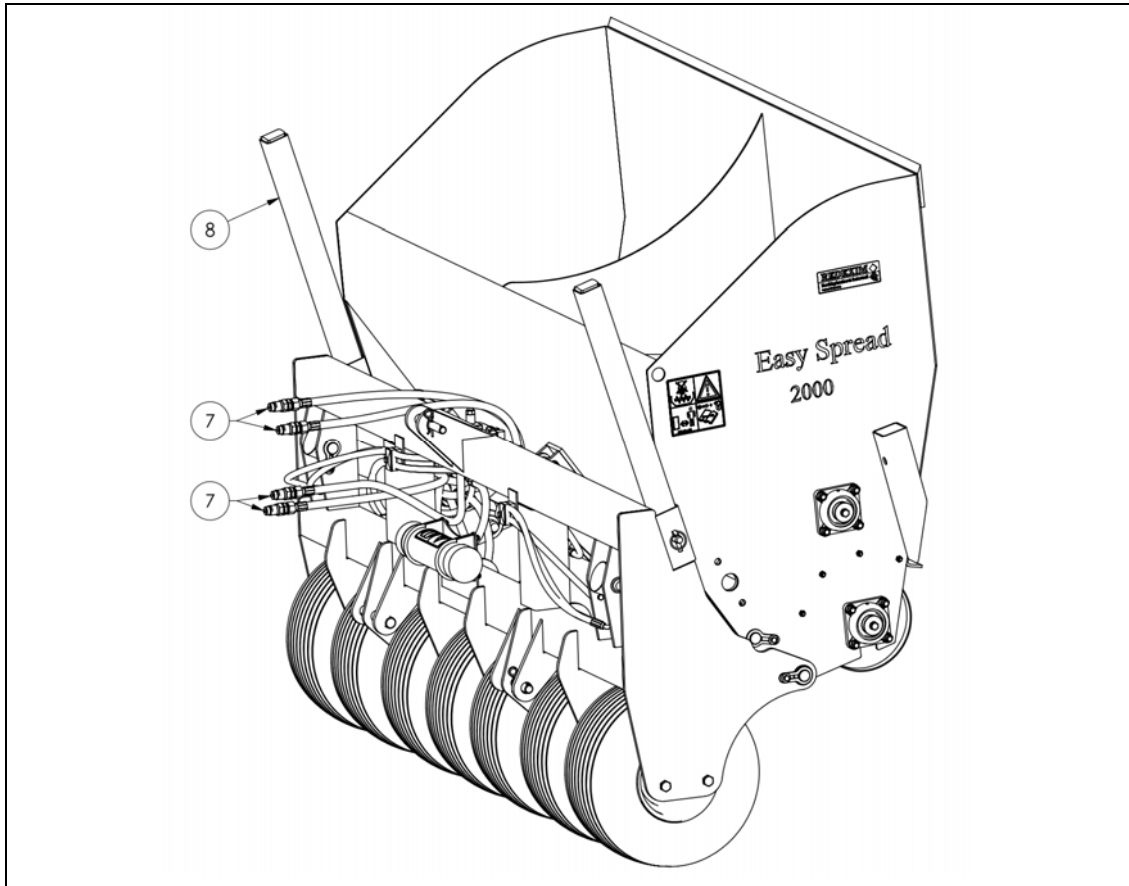


Figure 8

5.0 OPERATING THE EASY SPREAD

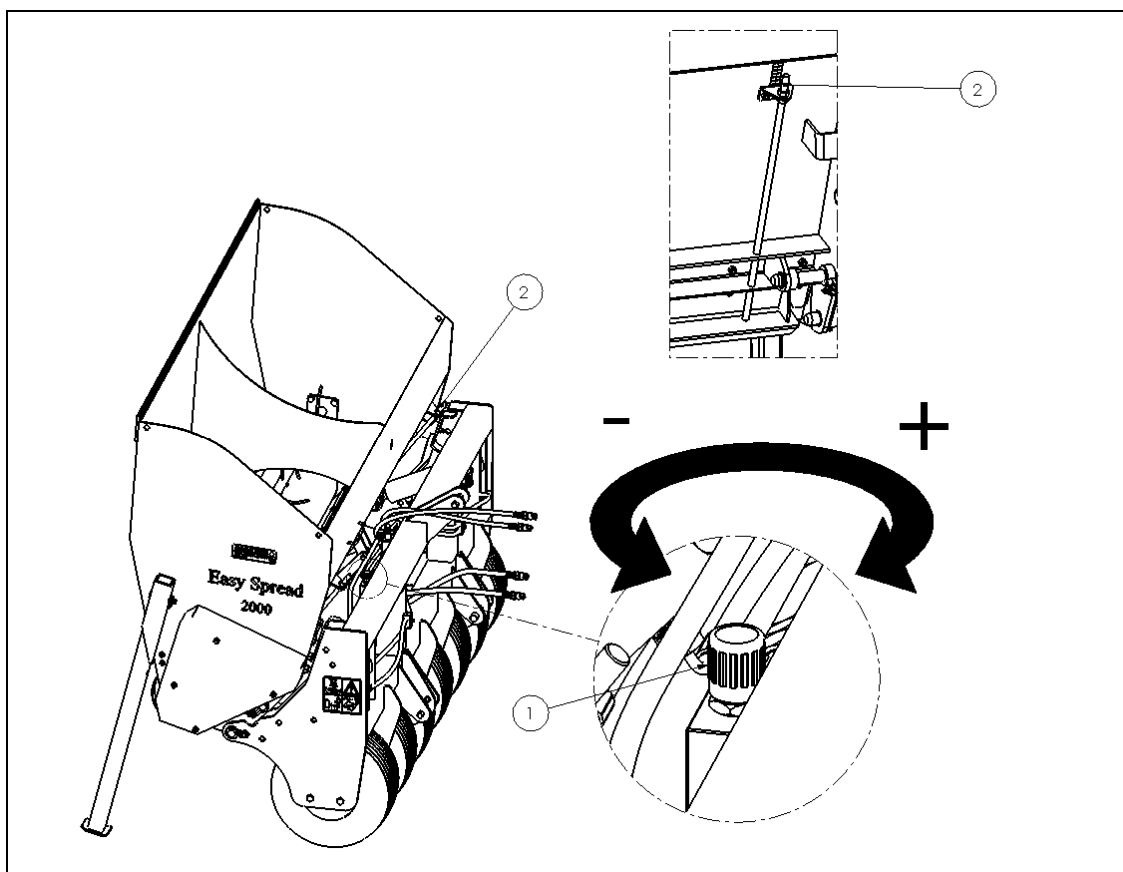


Figure 9

Operating the Easy Spread is divided in two parts, namely the operation of the bucket and the operation of the gritting cylinder.

Make sure that the two hydraulic hoses of each part are attached to a double-acting valve on the tractor.

5.1 OPERATING THE EASY SPREAD TIPPING BUCKET

The Easy Spread bucket can be tipped to 90° to scoop gritting material. Tipping of the bucket can be regulated on the tractor after the hydraulic hoses have been attached to the tractor.

5.2 OPERATING THE GRITTING CYLINDER / AGITATOR & DOSE LID

The hydraulic hoses for operating the gritting cylinder / agitator and dose lid should be attached to the other double-acting valve. The direction of the volume flow from the tractor makes the gritting cylinder/agitator turn and subsequently opens the dose lid. If the direction is reversed, the gritting cylinder/agitator will stop turning and the dose lid will close. The speed of the gritting cylinder/agitator can be adjusted with a regulating valve (1) (figure 9).

The opening of the dose lid can be adjusted by turning the stop bolts (2) on the bucket so that the dose lid is opened as desired. Use indication strip for comparison.

6.0 LOADING THE EASY SPREAD

Loading the Easy Spread is done by lowering the bucket and scooping the gritting material (Figure 11).

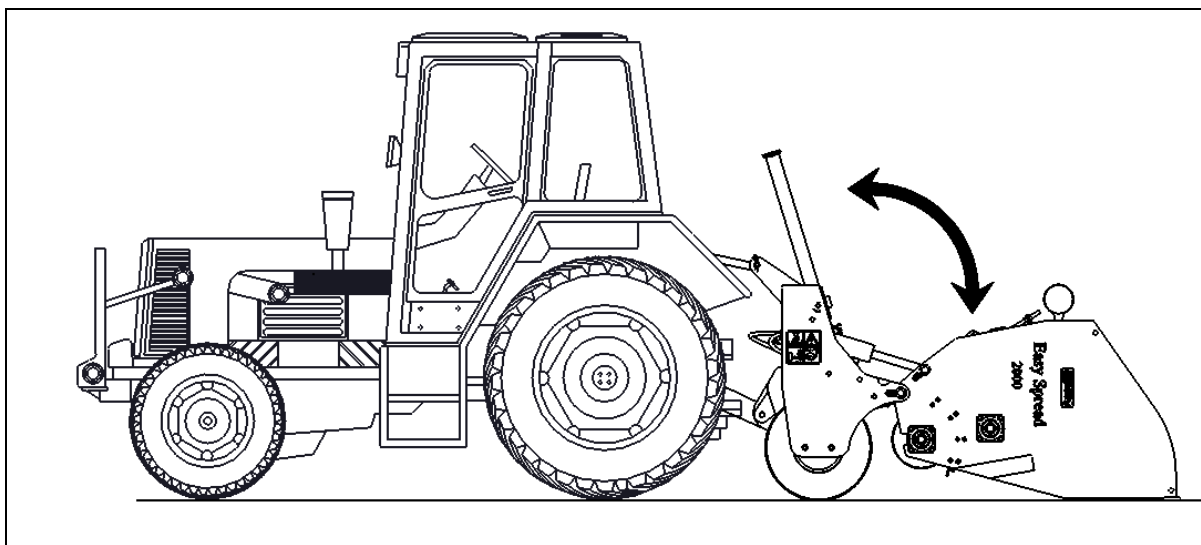


Figure 10

The procedure is as follows (Figure 10):

- 1 Drive the machine in a raised position to the gritting material to be used.
- 2 Lower the wheels of the Easy Spread to the ground.
- 3 Position the Easy Spread bucket horizontally.
- 4 Drive the tractor with the bucket backwards into the material to be loaded.
- 5 When the bucket hits the material. Slowly tilt the bucket upwards

⚠ Lifting too much material can damage the Easy Spread!

- 6 Load the bucket by rotating the bucket back to a vertical position.
- 7 Carefully lift the Easy Spread with the lifting device of the tractor.

**⚠ Mount front weights to the nose of the tractor in case of doubting the stability of the tractor – Easy Spread combination!
When the machine is raised off the ground, the front axle of the tractor has to support minimum 20% of its weight!**

7.0 DRIVING SPEED

For safety reasons the driving speed of the Easy Spread is limited to 12 km/h (7,5 mph), but in reality you will have to determine the maximum driving speed depending on the desired gritting image.

8.0 USING THE EASY SPREAD

Before using the Easy Spread in a location, you should check the following items:

1. Are there loose objects in the field? First remove these objects.
2. Are there slopes? The maximum slope is 20 degrees for the Easy Spread. Always go from top to bottom.
3. Is there danger of flying objects (e.g., golf balls) that distract the attention of the driver? If so, the Easy Spread **CANNOT** be used.
4. Is there danger of sinking/sliding away? If so, postpone using the Easy Spread.
5. If the soil is frozen or very wet, postpone the activities until conditions improve.

9.0 START/STOP PROCEDURE

The start procedure is **VERY** important. If this procedure is not executed as described below, it might result in serious damage to the machine.

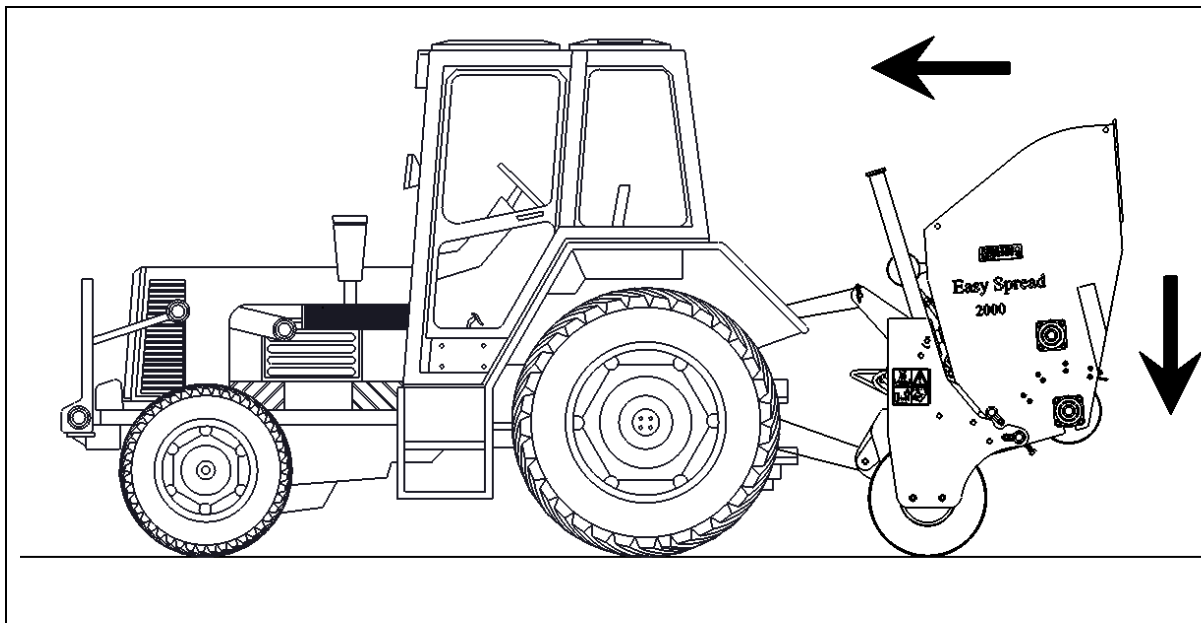


Figure 11

The start procedure is as follows (Figure 11):

1. Have a good look at the Easy Spread and see whether all components function properly.

 **If not, first solve the problems *before* using the Easy Spread.**

2. Connect the Easy Spread to the tractor as described in Chapter 4.0.
3. Determine the desired rotating speed of the gritting cylinder.
4. Lift the Easy Spread.

5. Drive to the spot where the processing should take place and stop the tractor.
6. Engage the tractor in the correct gear.
7. Lower the Easy Spread to the ground in a smooth movement.
8. Start driving the tractor and operate the hydraulic valve of the gritting cylinder/agitator so that it begins to grit.
9. Accelerate the driving speed until you achieve the desired gritting result.



Work in straight lines; working in bends causes damage to the surface that should be processed.

Stopping occurs as follows:

1. Operate the hydraulic valve so the gritting stops and the dose lid closes.
2. Stop the tractor.
3. Lift the Easy Spread.
4. Go to the next location and start all over again as described in this chapter.

10.0 TRANSPORTING THE EASY SPREAD

The user is responsible for transporting the Easy Spread in back of the tractor on public roads. Verify the national legislation regarding the regulations.

On open fields while the machine is raised, the maximum permitted speed is 12 km/h (7.5 mph) due to the weight of the Easy Spread.

A higher speed can be dangerous for the driver and/or the public and can even damage the machine.



When the machine is raised off the ground, the front axle of the tractor has to support minimum 20% of its weight!

11.0 DISCONNECTING THE EASY SPREAD

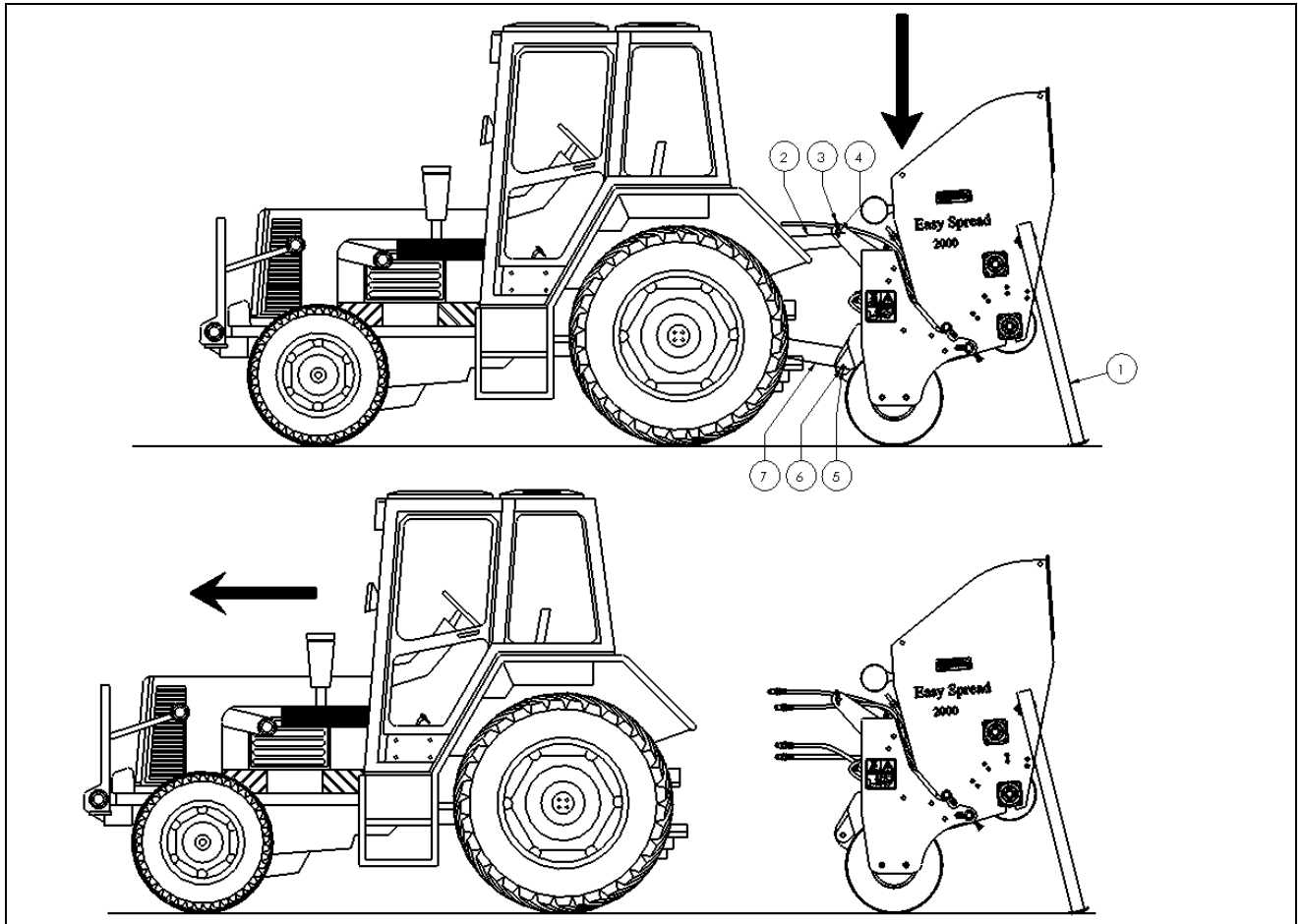


Figure 12

The machine can be detached from the tractor in the following manner (Figure 12):

1. Drive the Easy Spread to a parking area with a firm/flat surface.
2. Remove the adjustable legs (1) from the frame and reattach these to the bucket.
3. Lower the Easy Spread controlled and calmly until it stands completely on the ground.



Make sure that the tractor is blocked well and cannot move on its own accord!



Switch off the tractor before descending!



Make sure that the Easy Spread stands firmly on the ground and is blocked against sliding *before* descending from the tractor!

4. Disconnect the hydraulic hoses.
5. Release the top rod (2).
6. Take the locking pin (3) out of the pin (4) and pull the locking pin out of the top rod connection.
7. Take the locking pins (5) out of the pins (6) and pull the locking pins out of the Easy Spread frame so that the bottom lifting arms (7) of the tractor are released.



Make sure that the Easy Spread is stable!

8. Start the tractor and drive off.

12.0 TROUBLE SHOOTING (PROBLEM ANALYSIS)

Problem	Possible cause	Solution
Gritting cylinder / Agitator does not rotate or hardly rotates.	Hydraulic hoses are not attached correctly to the tractor. Rotating speed of the cylinder is too low. Agitator blocked Pollution/ defect hydraulic system The chain broke.	Attach the hoses correctly to the tractor. Turn up the speed control button on the frame. Clear blockade Repair or change parts Check the chain.
The dose lid will not open or will not open far enough.	Stop bolts are screwed too loose.	Further screw in the stop bolts.
Gritting material does not come out the dose lid.	Gritting material is too wet. The dose lid does not open far enough.	Use dry gritting material. Adjust stop bolts so that the dose lid can open more.
The bucket will not tip.	Hydraulic hoses are not attached correctly to the tractor.	Attach the hoses correctly to the tractor.

13.0 MAINTENANCE

Only authorised technical personnel may carry out repairs and adjustments to the Easy Spread due to the safety of the machine and the user.

Use only original Easy Spread parts for maintenance or repairs because of the safety of the machine *and* of the user.

Time schedule	Check point	Method
Before every use	Check for loose bolts/nuts.	Tighten loose bolts/nuts.
After every 20 working hours	Check the agitator for bended pins. Check for loose bolts/nuts. Presence and readability of the safety stickers (see figure 5) Grease the bearings + cylinders Check the tyre pressure.	Repair or replace the pins. Tighten loose bolts/nuts. Replace if these are damaged. Use EP2 lubrication. Tyre pressure should be 1.5 bar (22 psi).
After every 100 working hours	Check hydraulic system Check chain tension Grease chain	Repair or replace if these are damaged. Tighten is needed (see Chapter 16) Use EP2 lubrication.

13.1 GREASE POINTS

On the machine are various lubrication points. In (fig. 13) lists the different points displayed. Lubricate these points according to the indicated schema in Chapter 13.1. All cylinders are provided with greasing points, these should all be lubricated.

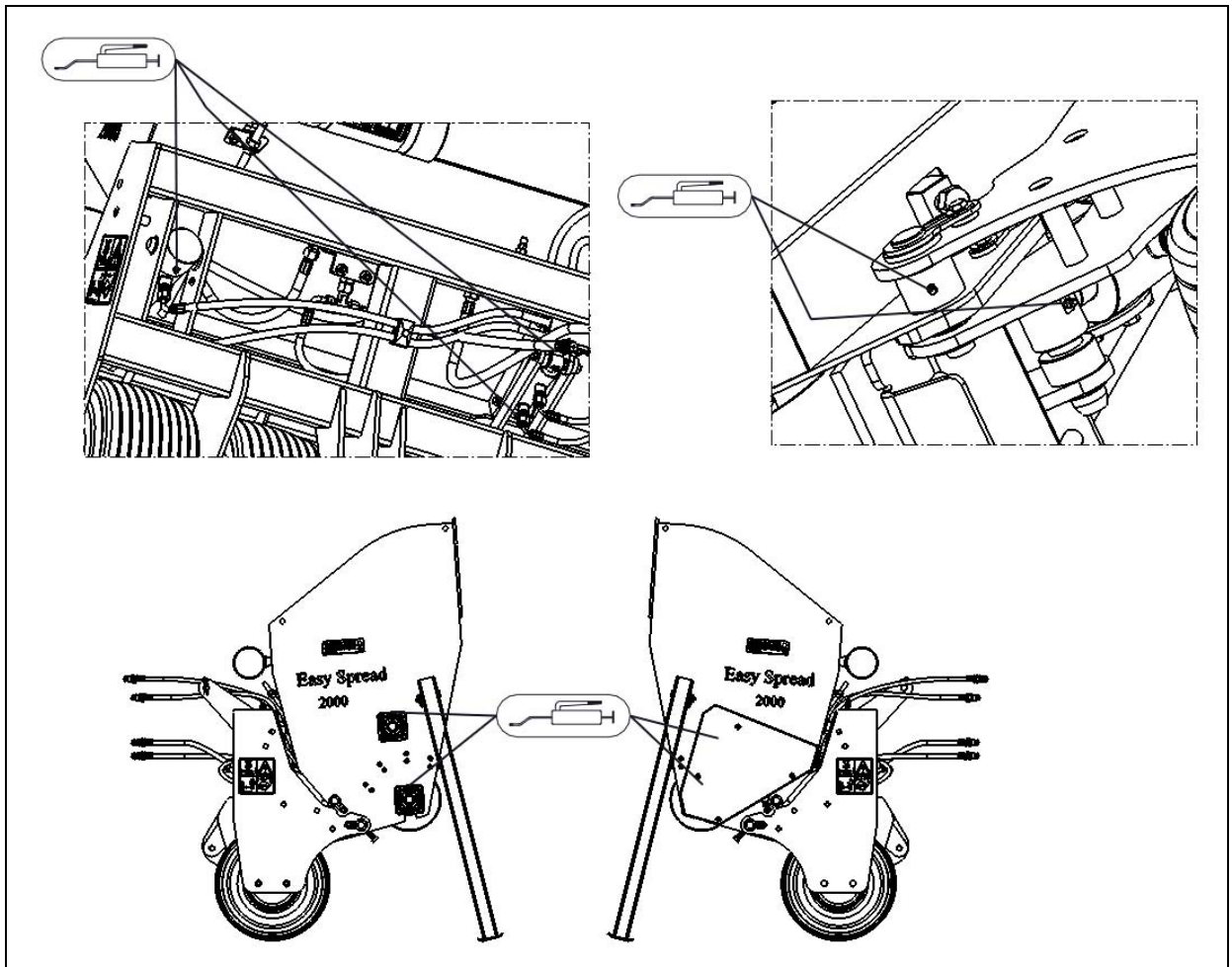


Fig. 13

14.0 CLEANING THE EASY SPREAD

Here are the cleaning instructions in order to keep the Easy Spread in tip-top condition.

- **NEVER** spray the bearing seals with a high-pressure pistol.
- Do **NOT** use aggressive soap or cleaning agents.
- **NEVER** operate the Easy Spread while cleaning it.
- Make sure that the machine is stable and that it cannot sink or slide.
- Make sure that the safety stickers are always clearly readable.

15.0 CHANGE WHEELS

In case of a leaky or damaged wheel, the wheel should be repaired or replaced. This can be done in the following manner:

- 1 Raise the Easy Spread ± 20 cm (8 ") from the ground. By means of the lifting device of the tractor or with cables.



Make sure that the tractor is blocked well and cannot move on its own accord!



Switch off the tractor before descending!



Make sure that the Easy Spread stands firmly on the ground and is blocked against lowering *before* removing the tires!

- 2 Loosen the bolts (1) and nuts (2) of the designated wheel set.



!! The wheel set is now loose and can fall down, make sure nobody is under the wheel set as the bolts and nuts are loosened!!

- 3 Lower the wheel set. The entire wheel set is now loose.
- 4 To remove the wheel from the axle, loosen the securing screw (4) off the axle support. The wheel and the axle support can now be removed from the axle.
- 5 Repair or replace the wheel.

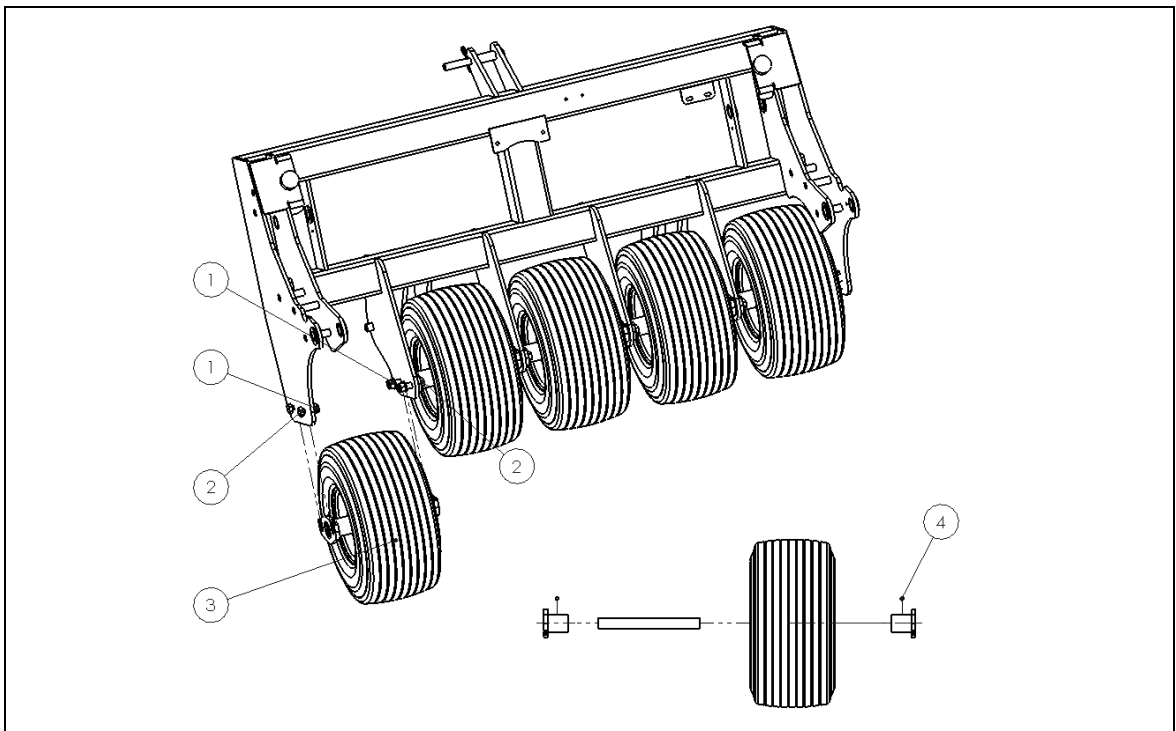



Fig. 14

- 6 When the wheel is repaired or replaced it can be mounted again.
 - 7 Mount the wheel and the axle support on to the axle. Secure the axle support by tightening the screw (4)
 - 8 Slowly raise the axle support on to the bolts. Make sure the slot holes are pointed upwards.
 - 9 Tighten the nuts (2) and bolt (1).
-  **!! Make sure the nuts and bolts are tightened properly !!**
- 10 Now slowly lower the Easy Spread on to the ground. The Easy Spread is now ready for use.

16.0 CHAIN TENSION

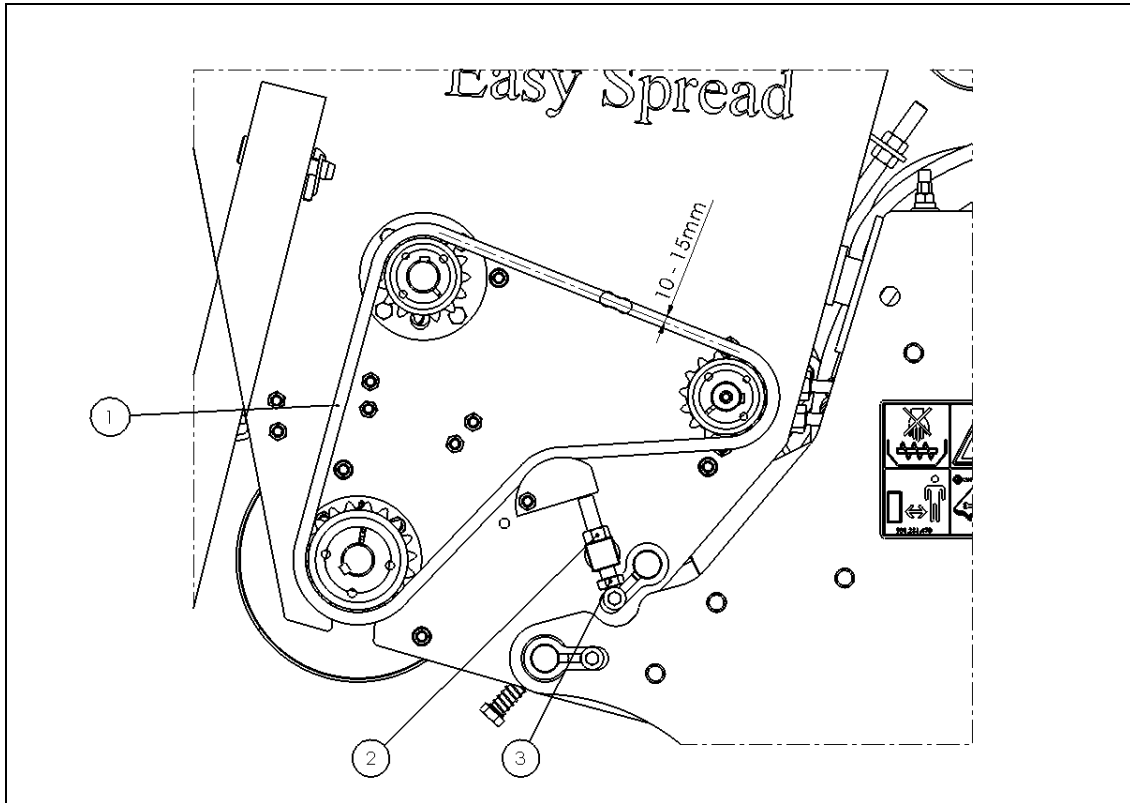


Figure 15

The chain tension is important and should be checked regularly. It is also important to regularly clean and lubricate the chain and sprocket wheel when necessary (Figure 13).

1. Remove the protective cover.



Make sure that the tractor is blocked well and cannot move on its own accord!



Switch off the tractor before descending!



Make sure that the Easy Spread stands firmly on the ground and is blocked against sliding *before* descending from the tractor!

2. You should be able to push in the chain (1) between 10 mm (0.4") and 15 mm (0.6"). If this is not possible, you need to adjust the chain tension.
3. Loosen the lock nut (2).
4. Rotate the bolt (3) until you reach the desired chain tension.
5. Tighten the nut (2) again.
6. Place the protective cover back on the machine.