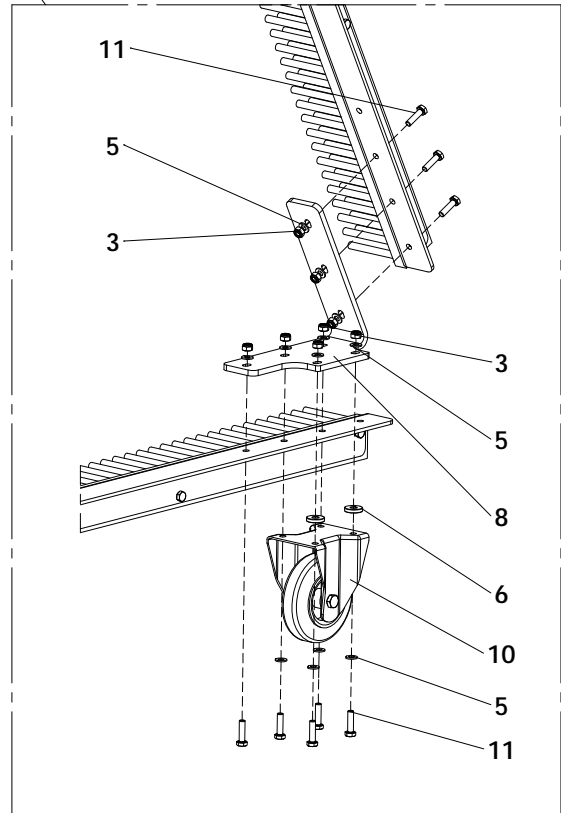
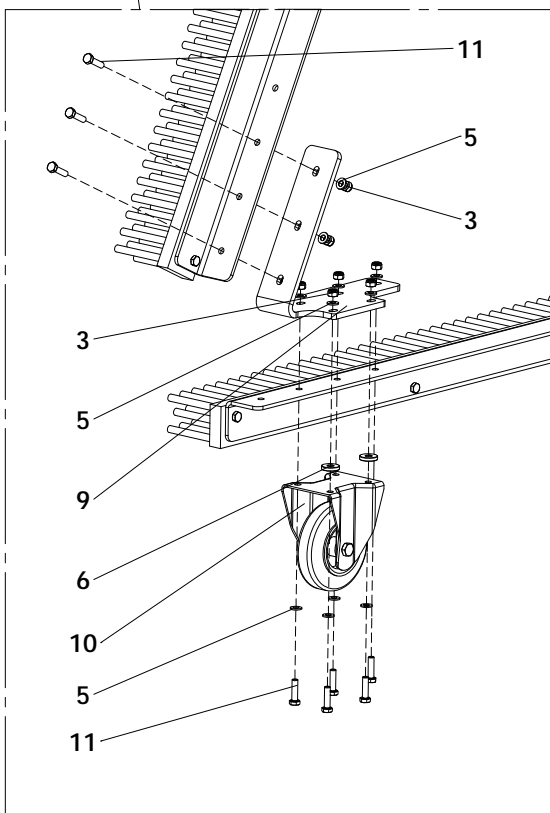
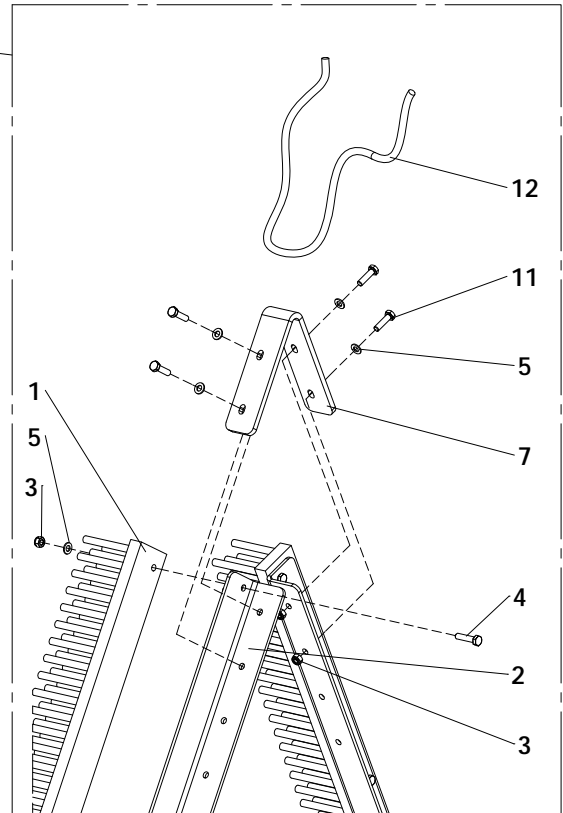
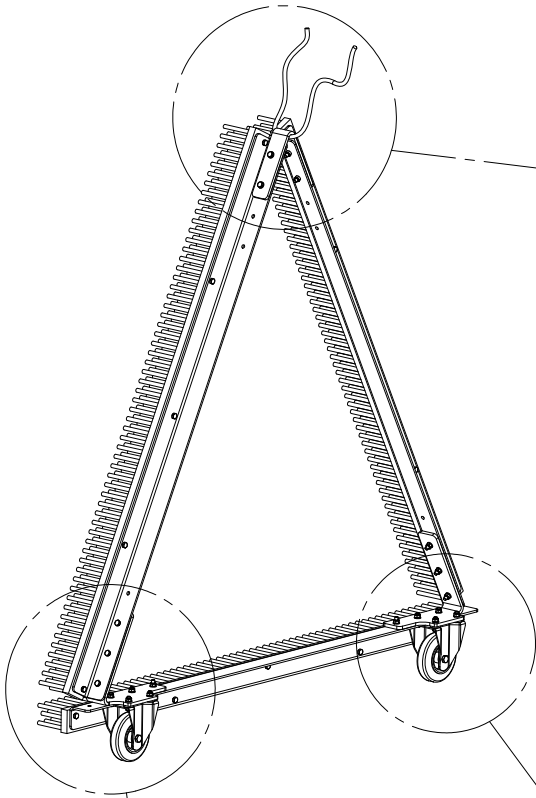


Parts manual





ITEM	PART NUMBER	DESCRIPTION	REMARKS	QUA
1	486.089.152	Brush WL=85 L=1500		3
2	468.069.150	Angle profile		3
3	830.080.080	Self Lock Nut M8 - ISO 10511		35
4	804.080.350	Bolt M8 x 35 - ISO 4017		15
5	864.080.030	Washer M8 - ISO 7089		43
6	406.090.050	Distance Bush Ø25/Ø9 L=5		4
7	468.081.850	Tow connector		1
8	468.082.404	Corner connector right		1
9	468.082.406	Corner connector left		1
10	511.125.000	Castor wheel		2
11	804.080.300	Bolt M8 x 30 - ISO 4017		20
12	899.100.000	Nylon Rope Ø10mm L=2,5mtr		1