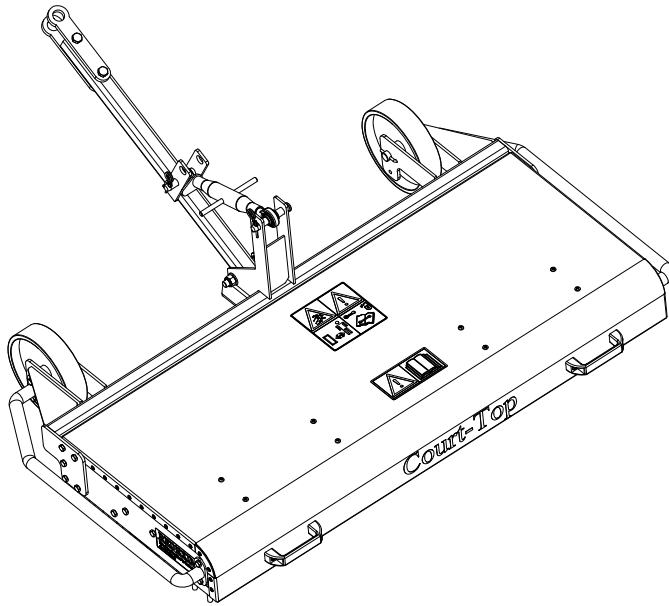
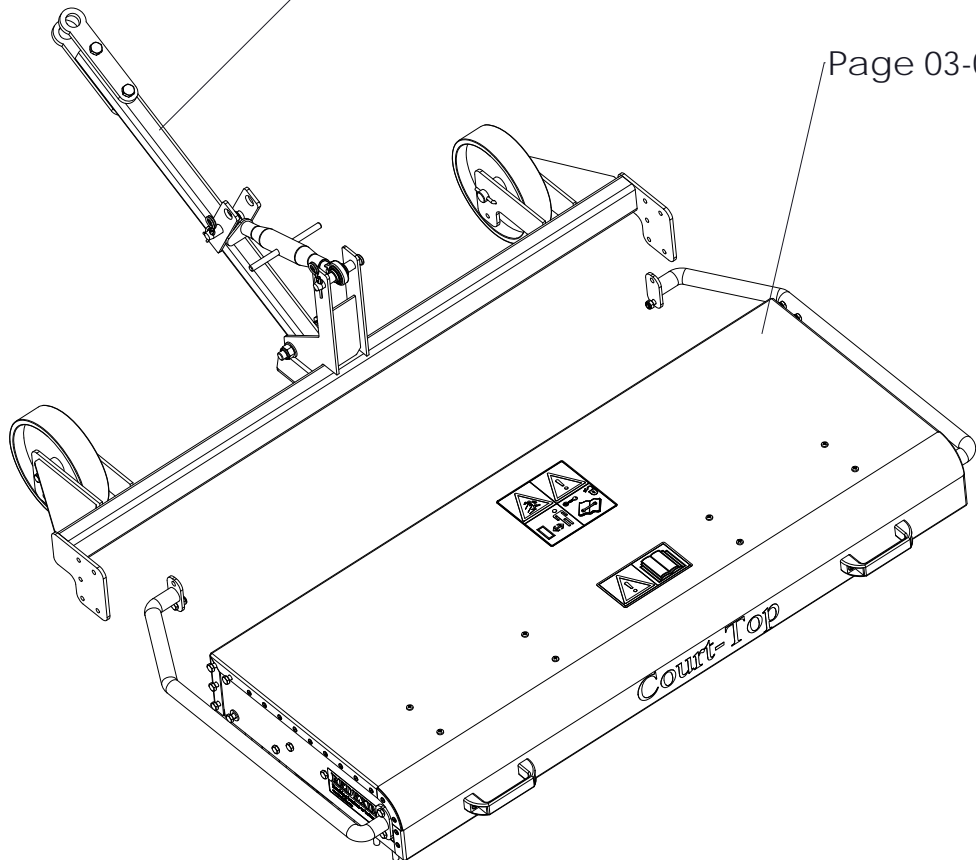


Parts manual



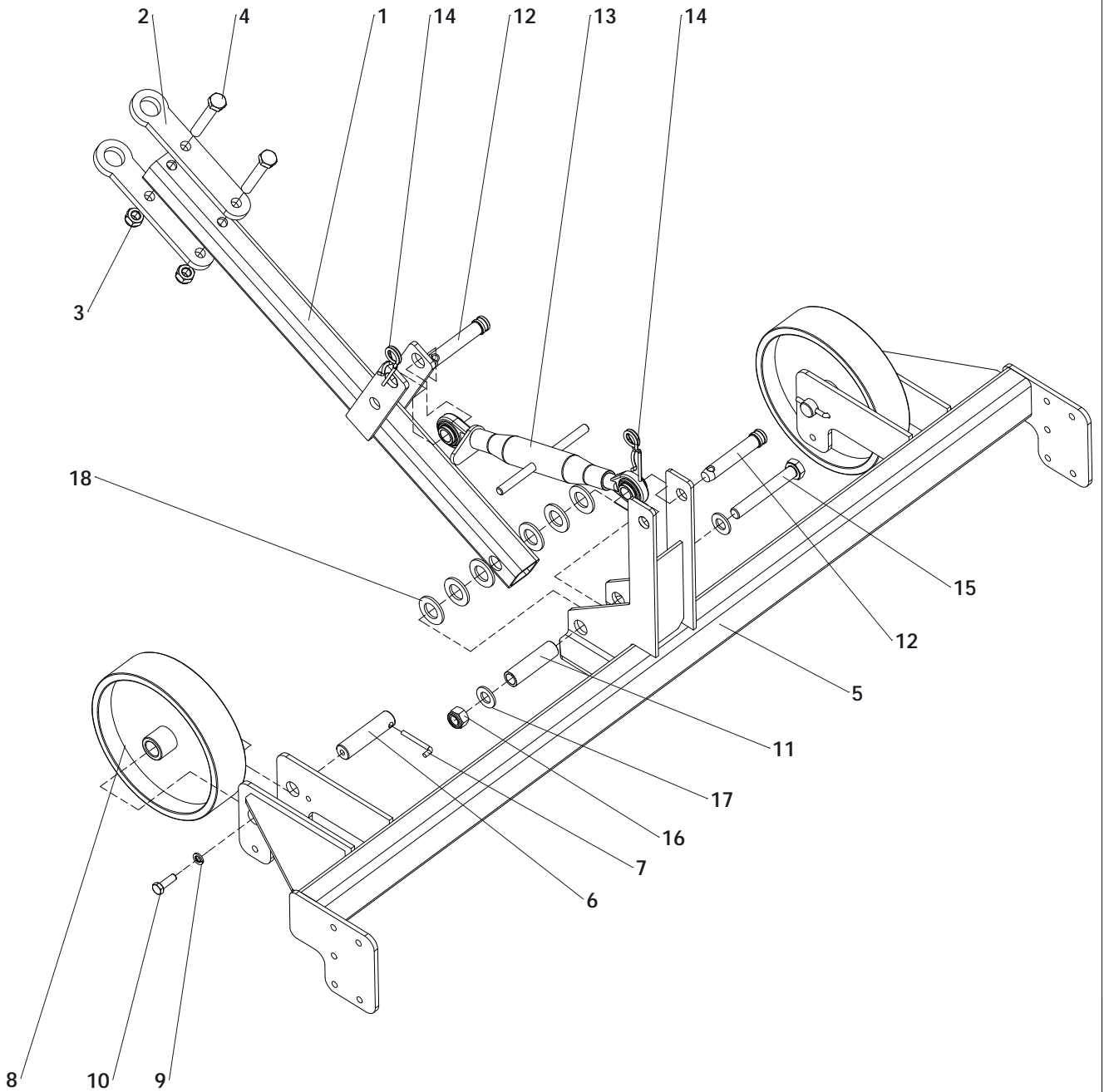


Page 02

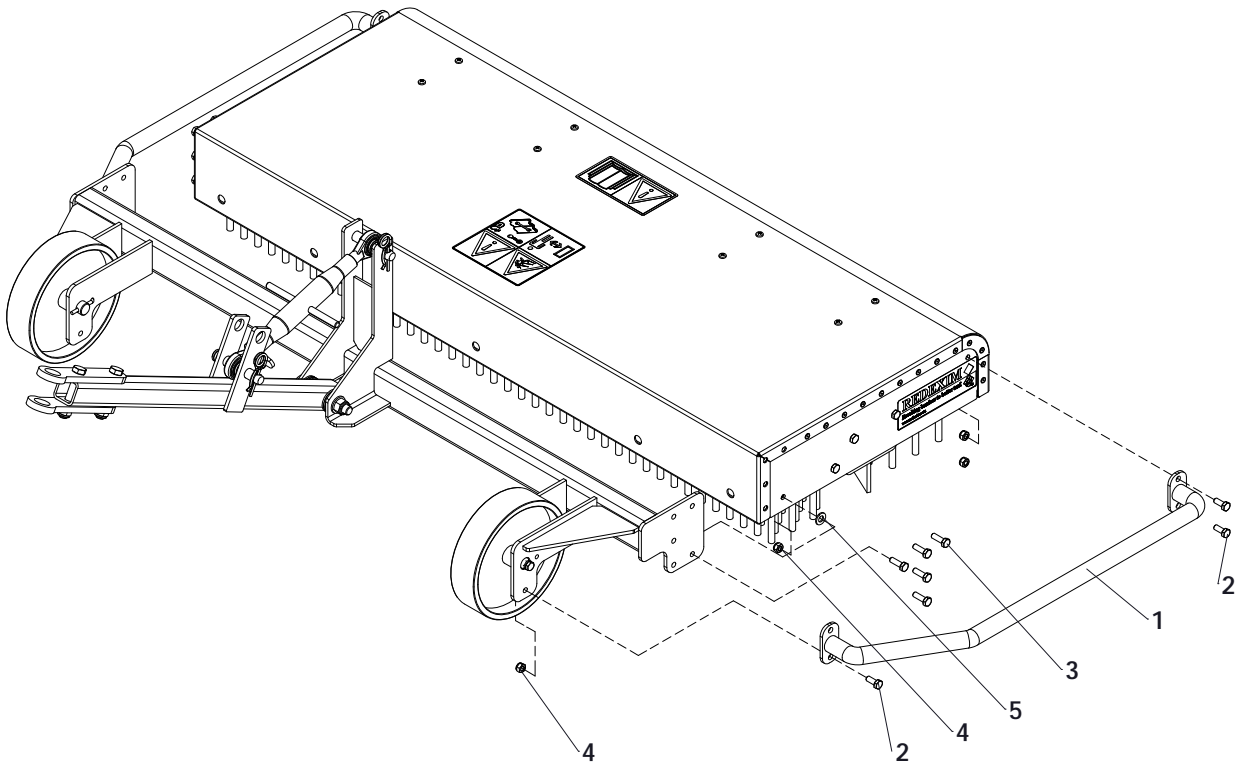


Page 03-06

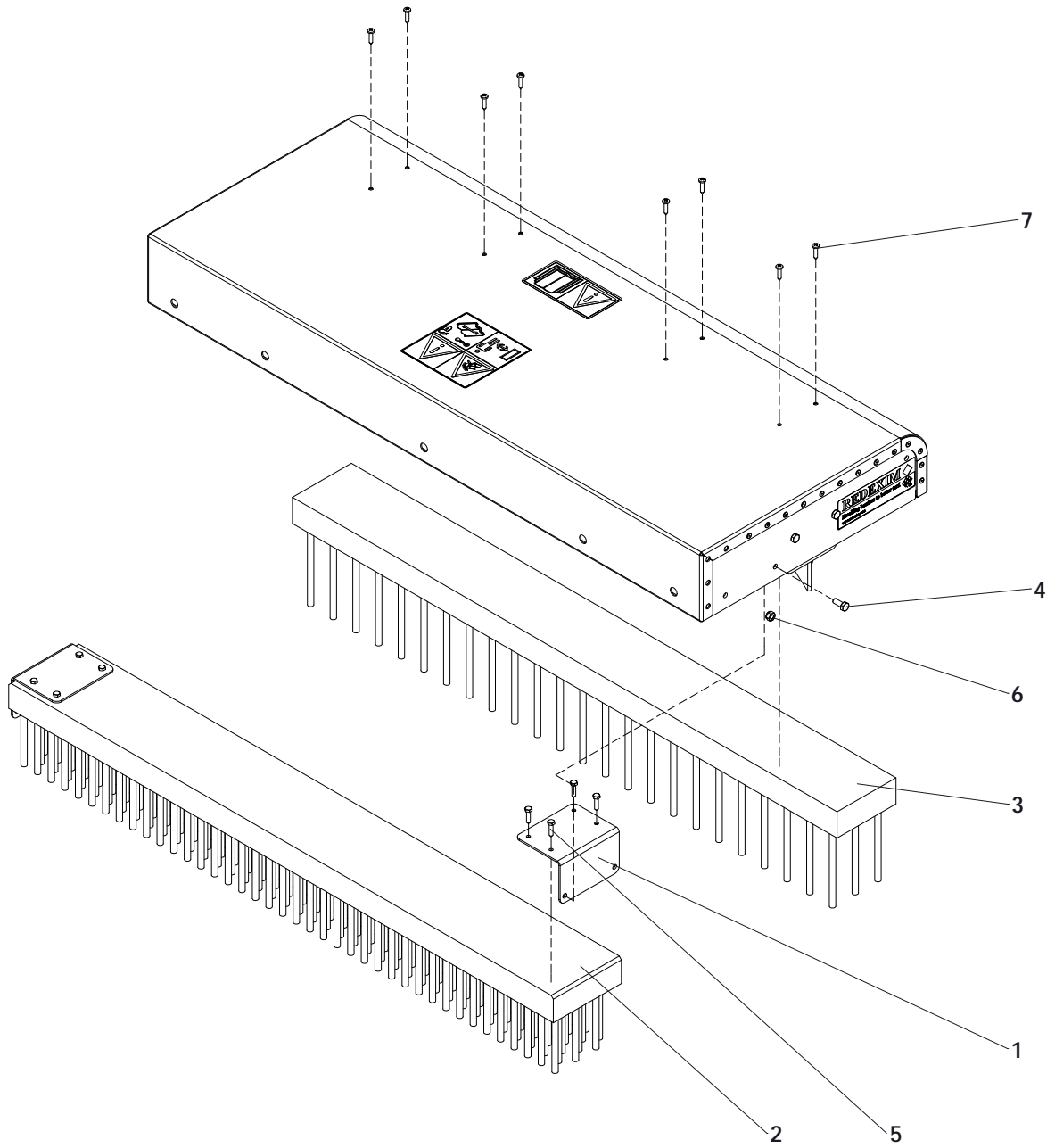
Decalls Page 07



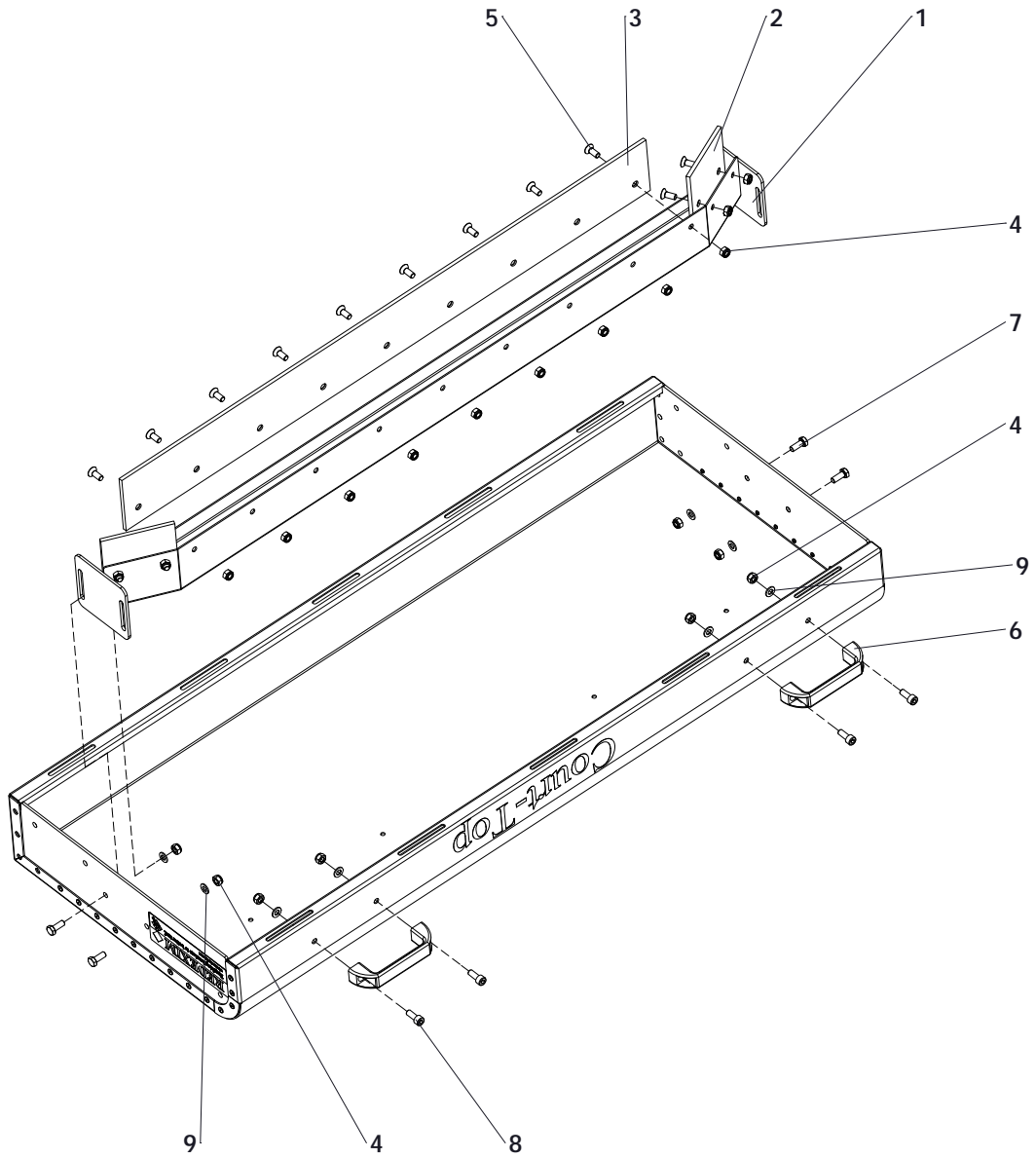
ITEM	PART NUMBER	DESCRIPTION	REMARKS	QUA CT 1200	QUA CT 1500
1	462.406.500	Drawbar		1	1
2	468.051.930	Pull eye		2	2
3	830.120.120	Self Lock Nut M12 - ISO 10511		2	2
4	802.120.750	Bolt M12 x 75 - ISO 4014		2	2
5	494.122.033	Wheel frame	Court-Top 1200 From serial number:	1	0
	494.154.035	Wheel frame	Court-Top 1500	0	1
6	416.200.810	Wheel axle Ø20 L=81		2	2
7	424.050.350	Wheel shaft pin		2	2
8	515.200.050	Nylon wheel Ø200x50 / Ø20		2	2
9	866.080.020	Spring Washer M8 - DIN 127		2	2
10	804.080.250	Bolt M8 x 25 - ISO 4017		2	2
11	404.140.720	Distance bush Ø19.9/Ø14.1 L=72		1	1
12	521.161.000	Top link pin Cat. 0 - 16.1 x 100		2	2
13	522.163.000	Toplink Cat. 0 L0=300 Stroke=200		1	1
14	523.030.750	R-Clip Round 3, DIN 11024		2	2
15	802.141.000	Bolt M14 x 100 - ISO 4014		1	1
16	830.140.140	Self Lock Nut M14 - ISO 10511		1	1
17	864.140.030	Washer M14 - ISO 7089		2	2
18	864.200.030	Washer M20 - ISO 7089		6	6



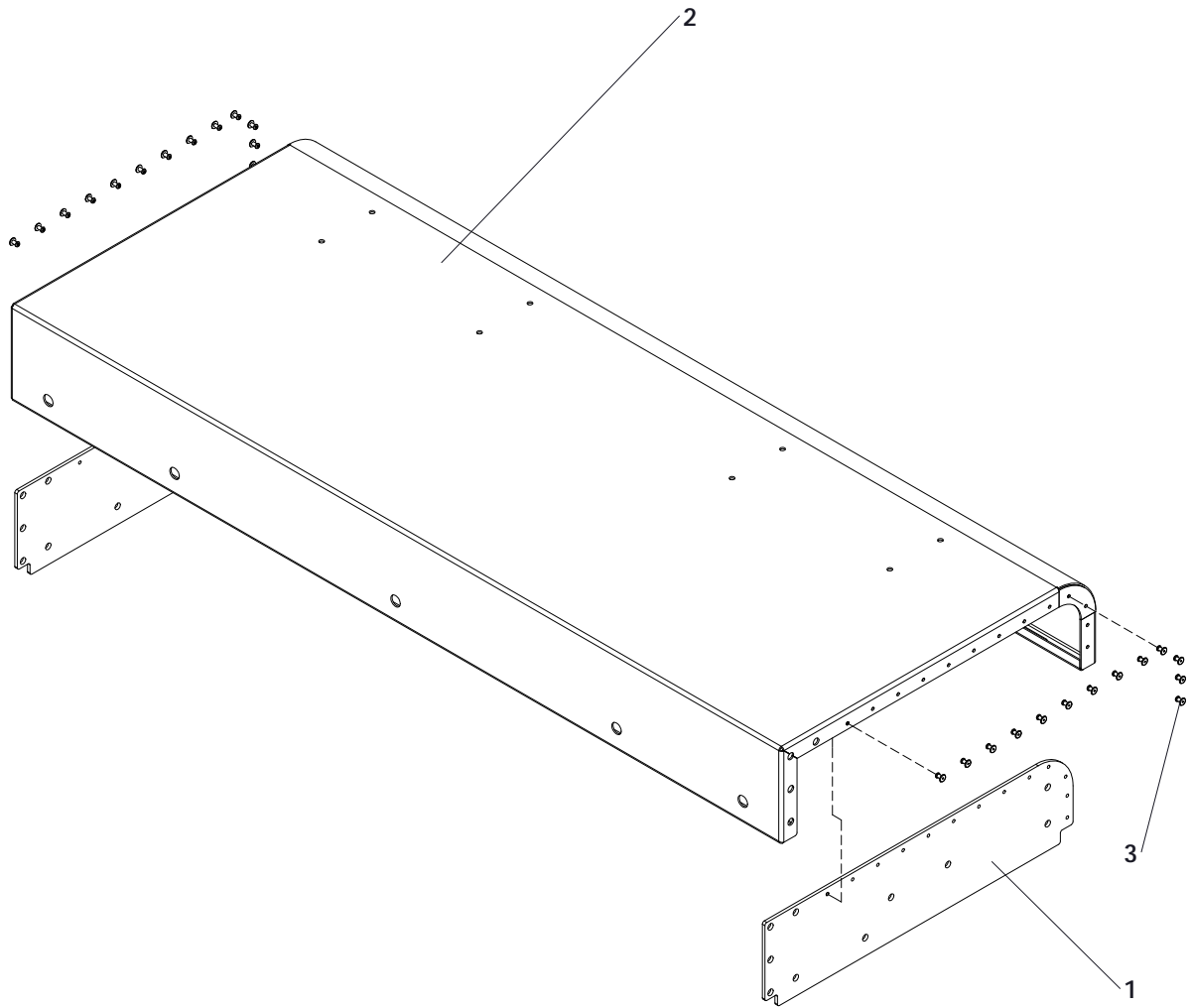
ITEM	PART NUMBER	DESCRIPTION	REMARKS	QUA CT 1200	QUA CT 1500
1	478.276.940	Safety bracket		2	2
2	804.080.200	Bolt M8 x 20 - ISO 4017		6	6
3	804.080.250	Bolt M8 x 25 - ISO 4017		10	10
4	830.080.080	Self Lock Nut M8 - ISO 10511		16	16
5	864.100.030	Washer M10 - ISO 7089		2	2



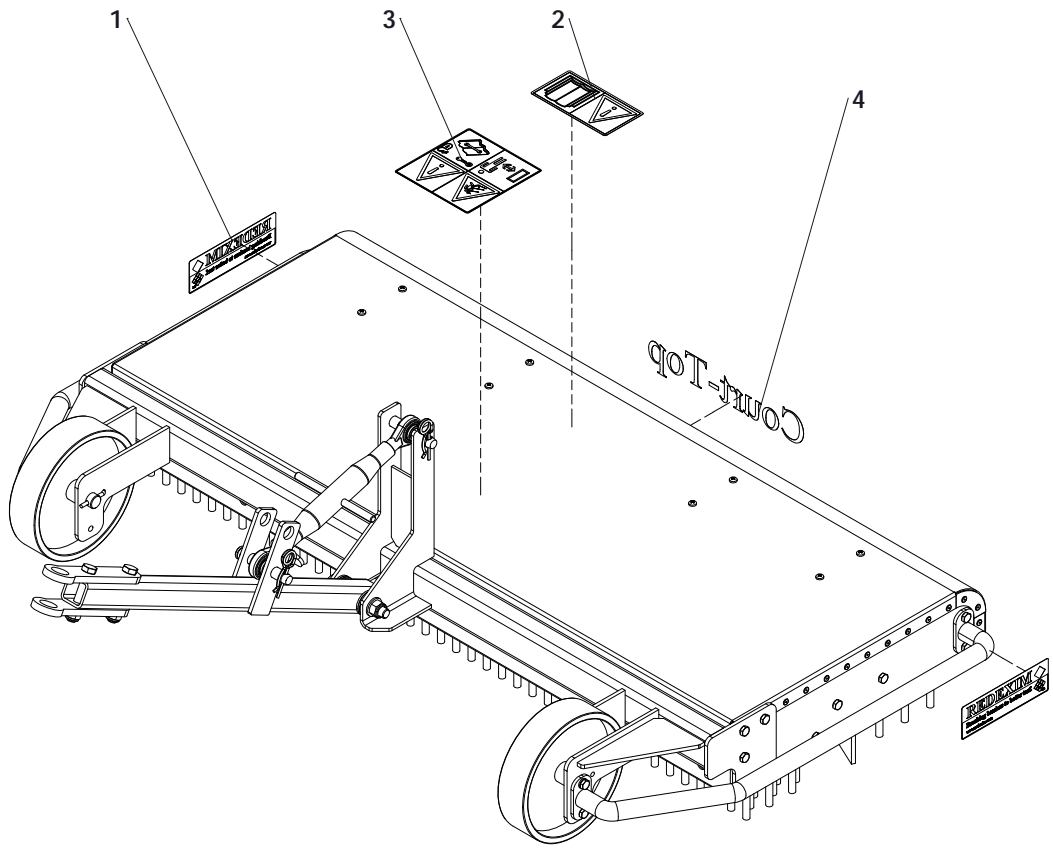
ITEM	PART NUMBER	DESCRIPTION	REMARKS	QUA CT 1200	QUA CT 1500
1	468.031.301	Support plate		2	2
2	486.111.200	Brush Court Top WL=110 L=1200	Court-Top 1200	1	0
	486.111.500	Brush Court Top WL=110 L=1500	Court-Top 1500	0	1
3	486.151.200	Brush Court Top WL=150 L=1200	Court-Top 1200	1	0
	486.151.500	Brush Court Top WL=150 L=1500	Court-Top 1500	0	1
4	804.080.200	Bolt M8 x 20 - ISO 4017		2	2
5	824.060.250	DIN 571 Woodscrew 6x25 4.6		8	8
6	830.080.080	Self Lock Nut M8 - ISO 10511		2	2
7	860.060.250	Tapping screw DIN 7049 St5.5x25		8	8



ITEM	PART NUMBER	DESCRIPTION	REMARKS	QUA CT 1200	QUA CT 1500
1	470.029.124	Scraper frame	Court-Top 1200	1	0
	470.029.152	Scraper frame	Court-Top 1500	0	1
2	444.061.100	Scraper plate		2	2
3	444.069.920	Scraper plate	Court-Top 1200	1	0
	444.069.130	Scraper plate	Court-Top 1500	0	1
4	830.080.080	Self Lock Nut M8 - ISO 10511		21	23
5	816.080.202	Bolt M8 x 20 - DIN 7991		13	15
6	444.151.250	Handle		2	2
7	804.080.200	Bolt M8 x 20 - ISO 4017		4	4
8	814.080.200	Bolt M8 x 20 - DIN 912		4	4
9	864.080.030	Washer M8 - ISO 7089		8	8



ITEM	PART NUMBER	DESCRIPTION	REMARKS	QUA CT 1200	QUA CT 1500
1	468.044.880	Side plate		2	2
2	470.029.122	Frame Court Top	Court-Top 1200	1	0
	470.029.154	Frame Court Top	Court-Top 1500	0	1
3	886.040.120	Blind rivet 4x12		26	26



ITEM	PART NUMBER	DESCRIPTION	REMARKS	QUA CT 1200	QUA CT 1500
1	900.260.403	Logo Label		2	2
2	900.280.402	Safety decall manual		1	1
3	933.280.402	Safety decall Rink Verti-Top		1	1
4	946.260.000	Label Court Top		1	1