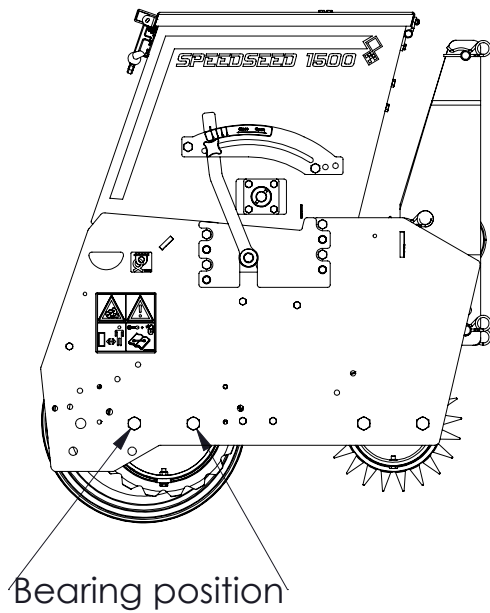


Option: Crushing rear roller

Kit no.: 1100 - 224.120.006  
1500 - 224.160.006



ITEM	PART NUMBER	DESCRIPTION	REMARKS	QUA 1100	QUA 1500
1	804.080.300	Bolt M8 x 30 - ISO 4017		8	8
2	830.080.080	Self Lock Nut M8 - ISO 10511		8	8
3	864.080.030	Washer M8 - ISO 7089		8	8
4	488.219.125	Rear roller		1	0
	488.219.164	Rear roller		0	1
5	316.292.055	Cast ring 9"		18	25
6	468.060.285	Spacer ring		19	24
7	468.080.400	Lock strip		8	8