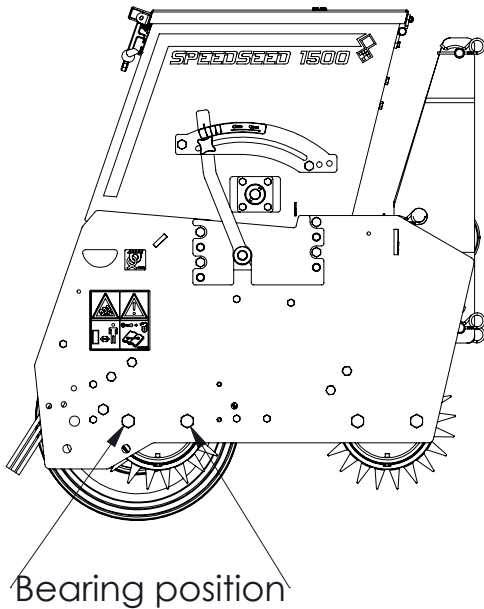




Option: Rear roller with spikes

Kit no.: 2000 - 224.210.000
2300 - 224.240.000



ITEM	PART NUMBER	DESCRIPTION	REMARKS	QUA 2000	QUA 2300
1	804.080.200	Bolt M8 x 20 - ISO 4017		8	8
2	830.080.080	Self Lock Nut M8 - ISO 10511		8	8
3	316.272.029	Spiked Segment		66	75
4	402.174.150	Spacer		2	2